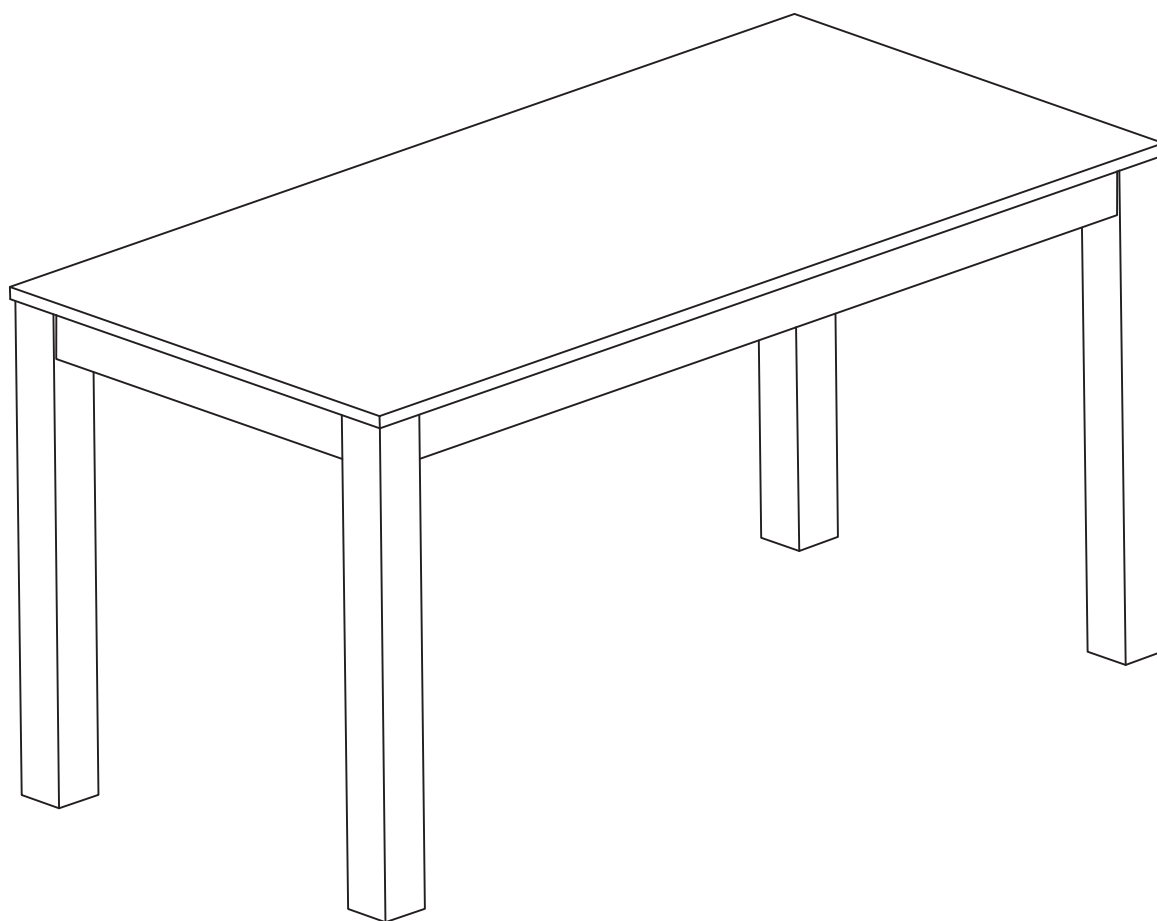


Salford dinning table 120cm

Assembly Instructions - Please keep for future reference

414/3255

411/4497



Dimensions

Width - 120cm

Depth - 73cm

Height - 75cm

Important – Please read these instructions fully before starting assembly

If you need help or have damaged or missing parts, call the **Customer Helpline:**
Argos = 0845 6400800



Safety and Care Advice

Important – Please read these instructions fully before starting assembly

- Check you have all the components and tools listed on the following pages.
- Remove all fittings from the plastic bags and separate them into their groups.
- Keep children and animals away from the work area, small parts could choke if swallowed.
- Make sure you have enough space to layout the parts before starting.

- During assembly do not stand or put weight on the product, this could cause damage.
- Assemble the item as close to its final position (in the same room) as possible.
- Assemble on a soft level surface to avoid damaging the unit or your floor.
- Parts of the assembly will be easier with 2 people.



- To reduce the likelihood of damaging your product please ensure that your power drill is set on a low torque setting.

Care and maintenance

- Only clean using a damp cloth and mild detergent, do not use bleach or abrasive cleaners.
- From time to time check that there are no loose screws on this unit.
- This product should not be discarded with household waste. Take to your local authority waste disposal centre.

Handy Hints

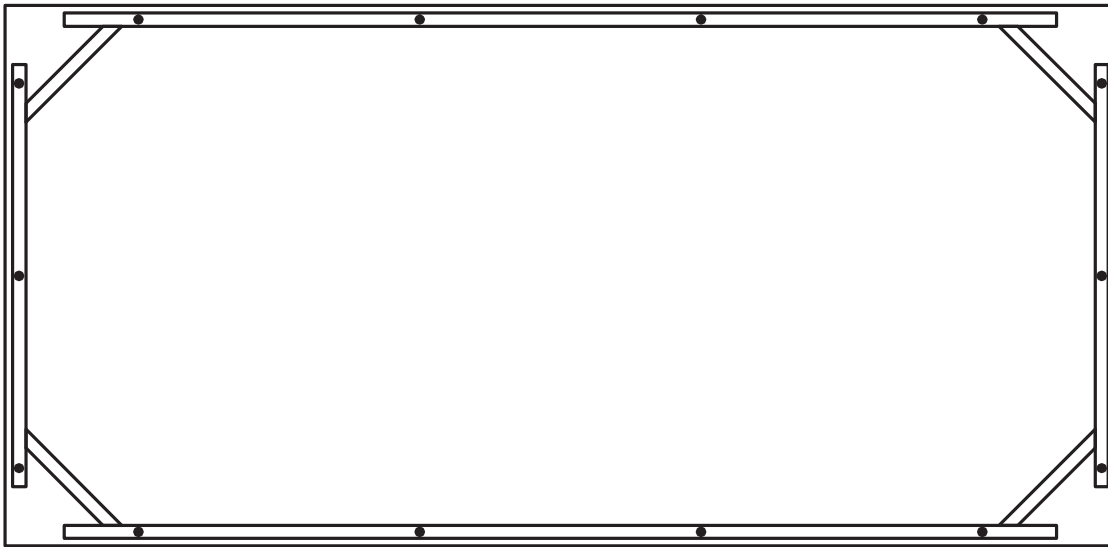
- Assemble all parts and bolts loosely during assembly, only once the product is complete should you fully tighten the bolts
- Regularly check and ensure that all bolts and fittings are tightened properly.

Note: if required the next page can be cut out and used as reference throughout the assembly. Keep this page with these instructions for future reference.

Components - Panels

If you have damaged or missing components, call the
Customer Helpline: Argos = 0845 6400800

Please check you have all the panels listed below



1 Top (120 x 73 cm)









2 Leg (6.5 x 73.2 cm)



Components - Fittings

Please check you have all the fittings listed below

Note: The quantities below are the correct amount to complete the assembly. In some cases more fittings may be supplied than are required.

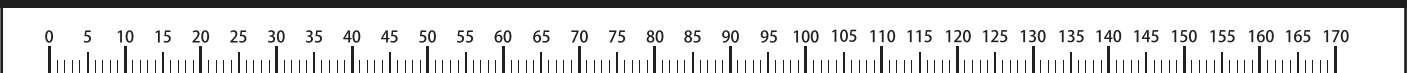
 Bolt x 8	 Assembly bolt x 4	 Washer x 8
 13mm Nut x 8	 Spring washer x 8	 13mm Spanner x 1

Tools required



Ruler/tape

Ruler - Use this ruler to help correctly identify the screws



The screws length is measured from the head to the point (30mm screw shown).

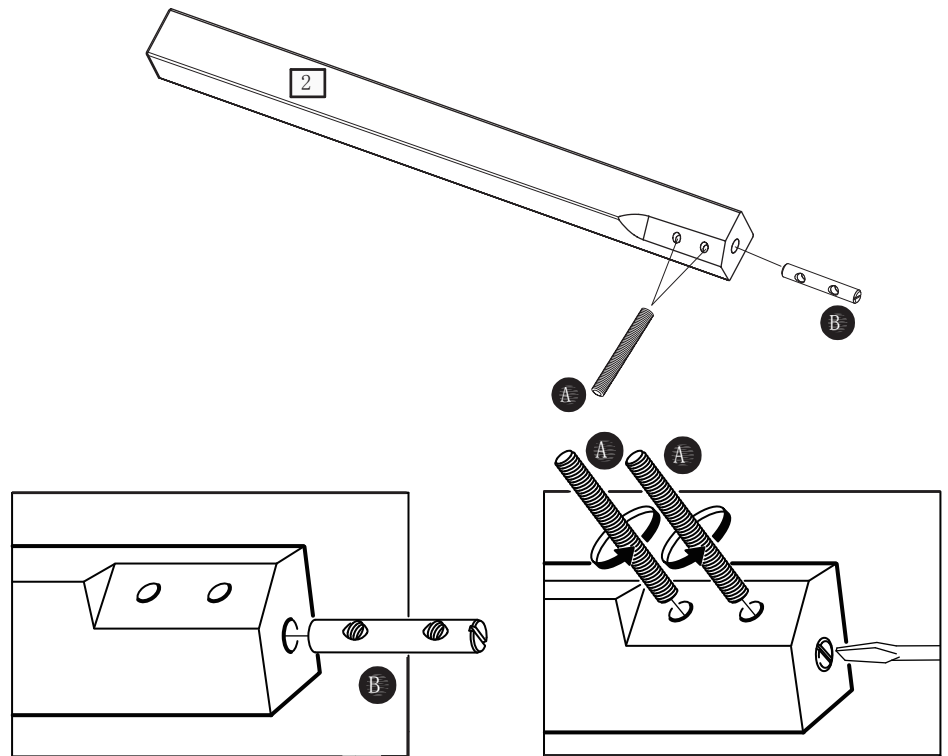
Assembly Instructions

Step 1

Fitting bolts

Insert assembly bolt **B** into leg **2**. Screw bolts **A** into assembly bolt.

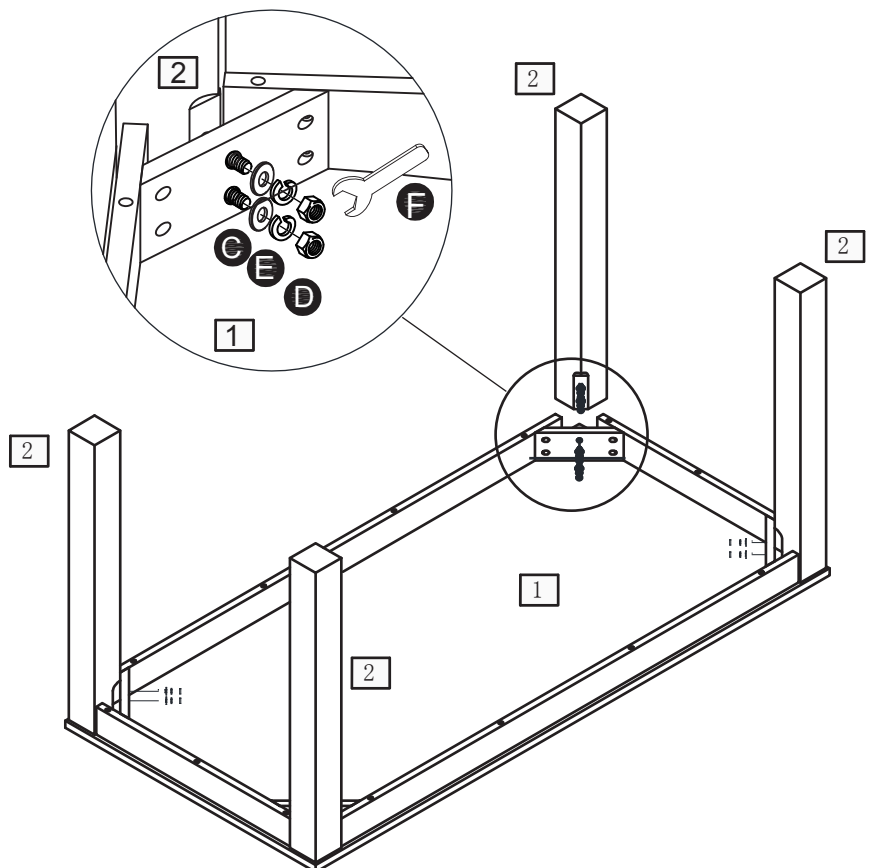
Repeat with remaining legs **2**.



Step 2

Attaching legs

Attach four legs **2** to top **1** using washer **C**, spring washer **E** and bolt **D**. Tighten the bolts with Spanner **F**.

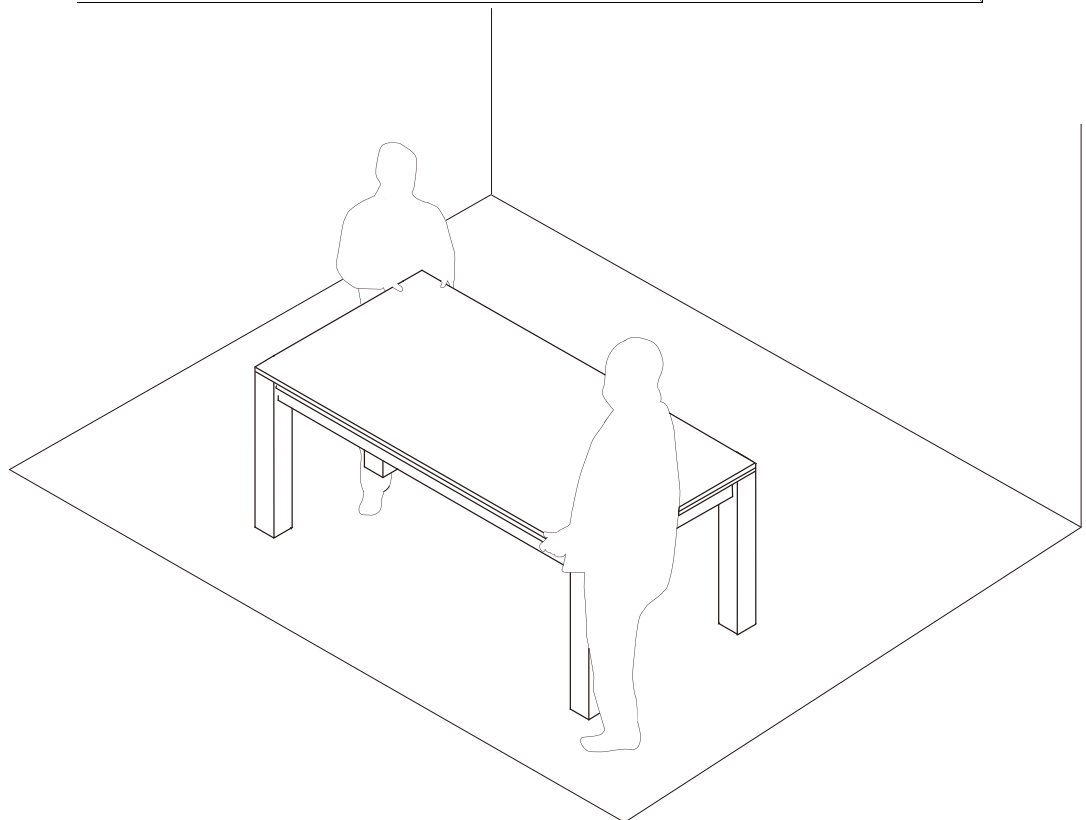
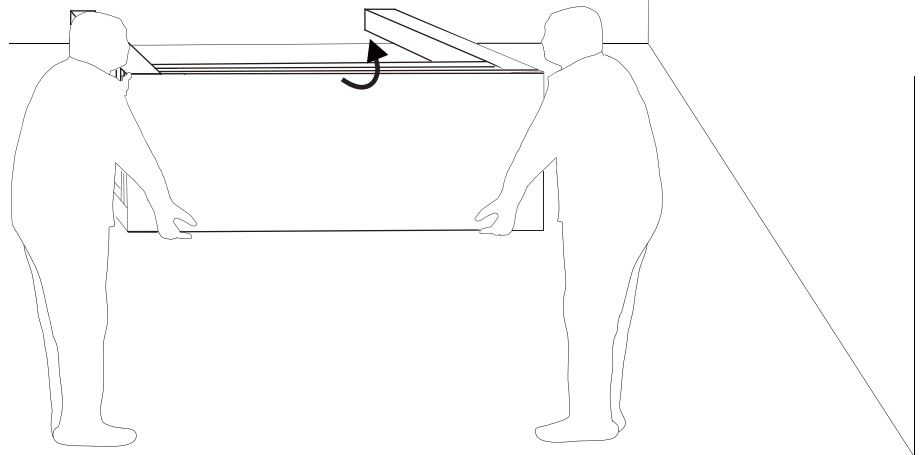
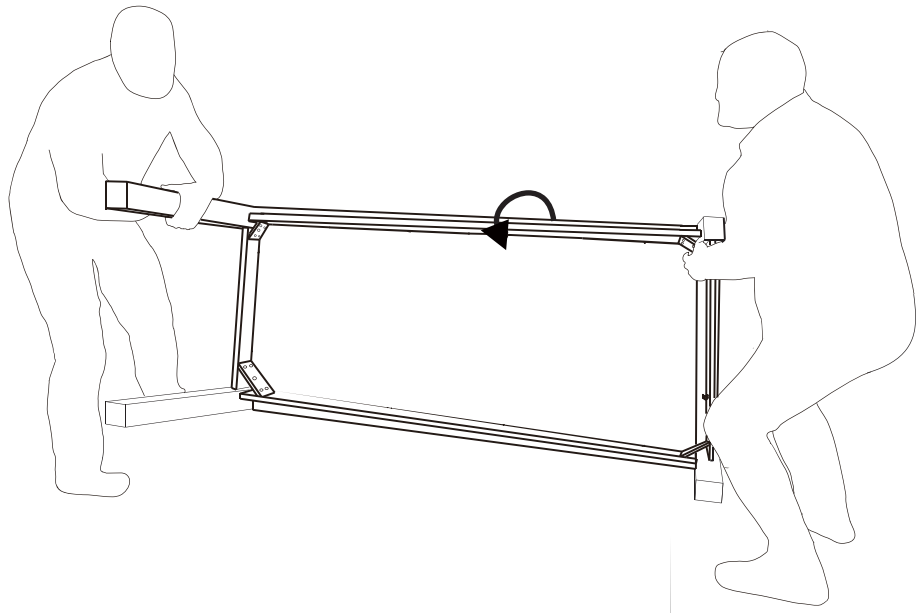


Assembly Instructions

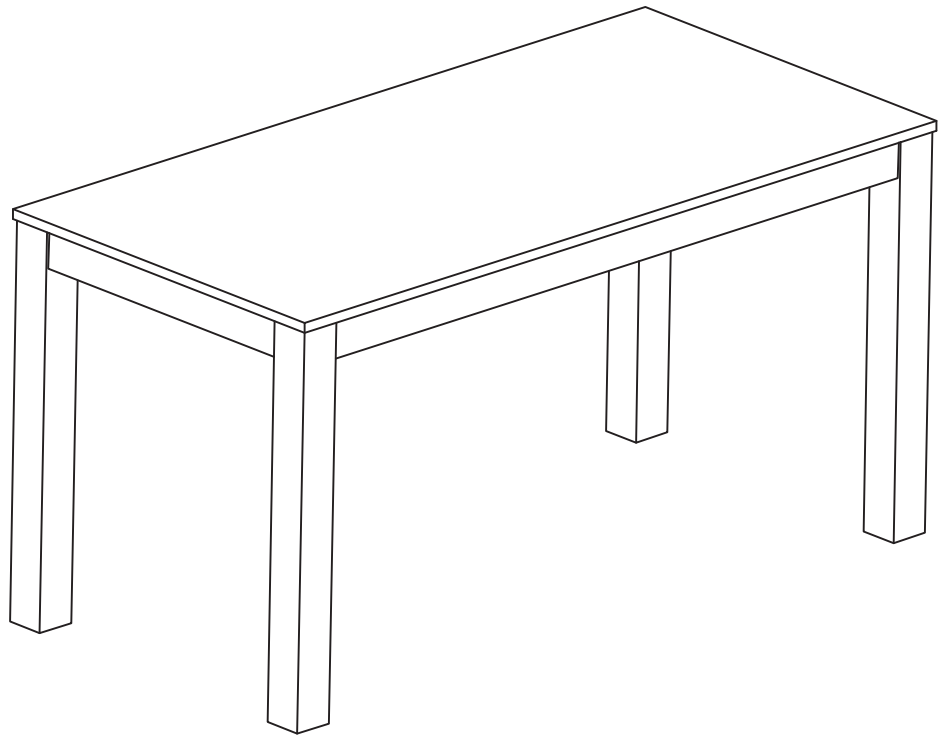
Step 3

Turn over the table

2 people to lift up the table from the ground and carefully turn the table around. Do not rest the table on the legs during this exercise.



Assembly Instructions



If you need help or have damaged or missing parts, call the **Customer Helpline:**
Argos = 0845 640800