



CYLINDER VACUUM

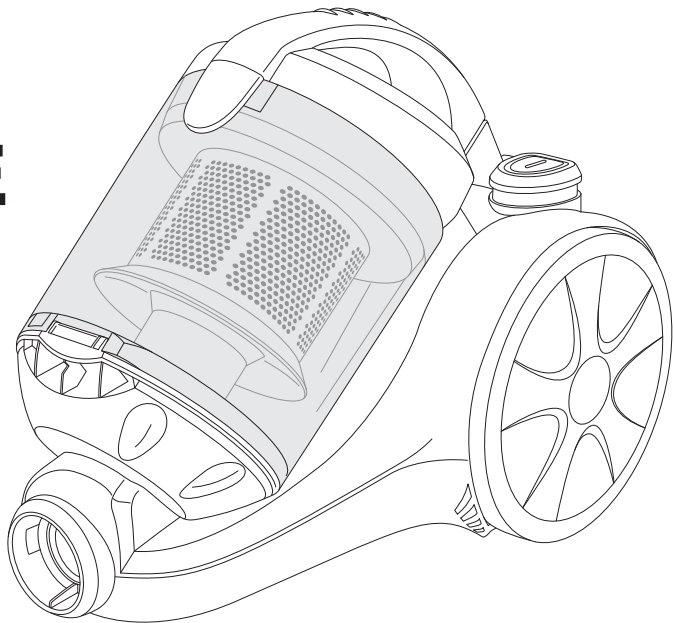
Bagless cleaner



1·2·3...

USER GUIDE

DDC05-E01/DDC05-P01



LET'S GO.™

MACHINE OVERVIEW

Overview of the scope of delivery (Fig. 1)

- 1 Dirt container release button
- 2 Post-motor filter
- 3 Post-motor filter cover
- 4 Cord retraction button
- 5 On/Off switch
- 6 Blockage light
- 7 Floor tool parking slot
- 8 Power cord with plug
- 9 Small motor protection filter
- 10 Release catch
- 11 Dirt container
- 12 Separator and shroud
- 13 Pre-motor filter sponge
- 14 Pre-motor filter
- 15 Dirt container lid
- 16 Carrying handle
- 17 Handle
- 18 Air vent
- 19 Telescopic tube
- 20 Dusting brush
- 21 Crevice tool
- 22 Hose connector
- 23 Hose release buttons
- 24 Combi floor tool
- 25 "Carpet/hard floor" selector (illustration serves as an example)
- 26 Parking hook

TABLE OF CONTENTS

1 Overview of your vacuum	2
Technical data	3
Guarantee	3
2 Safety instructions	4
3 Before use	6
3.1 Selecting a tool/accessory	6
3.2 Assembly	7
4 Use	8
4.1 Operational safety	8
4.2 How to Use	8
4.3 Switching off	9
4.4 Transport and storage	9
5 Maintenance	10
5.1 Empty the dirt container	10
5.2 Cleaning dirt container and pre-motor filter	11
5.3 Cleaning the post-motor filter	12
5.4 Spare parts and accessories	13
5.5 Troubleshooting	14

Technical Data

Type of appliance	Bagless cylinder vacuum cleaner
Model name	Cyclone XS
Model number	DDC05-(E01/P01)
Voltage	220 – 240V ~, 50 Hz
Power	1,000 W
Dust bin capacity	max. capacity: approx. 1.8 litres
Power cord length	approx. 5 m
Weight	approx. 4 kg



We reserve the right to make changes to technical and design specifications in the interest of continuous product improvement. © Dirt Devil.



LIMITED GUARANTEE

It's quick and easy to register for your free 1 year guarantee online at www.DirtDevil.co.uk.

Please retain your original receipt for proof of purchase. Please make a note of the serial number and model number of the product before calling.

WARNING

BASIC SAFETY PRECAUTIONS

- This vacuum cleaner is intended for household use only and NOT for commercial or industrial use.
- Only use the vacuum cleaner indoors on dry surfaces and keep the area you're cleaning well lit.
- Keep fingers, hair and loose clothing away from moving parts and openings whilst using the vacuum cleaner.
- This vacuum cleaner can be used by children aged from 8 years and above and persons with reduced physical, sensory or mental capabilities or lack of experience and knowledge if they have been given supervision or instruction concerning use of the vacuum cleaner in a safe way and understand the hazards involved. Children shall not play with the vacuum cleaner. Cleaning and user maintenance shall not be made by children without supervision.
- Only Dirt Devil recommended tools should be used with the vacuum cleaner, use of non-branded Dirt Devil accessories/tools will invalidate your guarantee.

DON'TS

- Don't use the vacuum cleaner if it has been dropped, damage or left outdoors.
- Don't run over the power cord or use vacuum cleaner if the power cord or plug is damaged. Please contact our Customer Service on: 0330 026 2626 (Mon-Fri 9:00am-5:00pm).
- Don't handle the plug or use the vacuum cleaner with wet hands.
- Don't pull or carry the vacuum cleaner by the power cord.
- Don't use the power cord as a handle, pull the power cord around corners, sharp edges or close a door over the power cord.
- Don't unplug the vacuum cleaner by pulling on the power cord.
- Don't vacuum up any flammable or combustible materials (lighter fluid, petrol, kerosene etc) or use the vacuum cleaner in an area with explosive vapours or liquid.
- Don't vacuum up hot coals, cigarette butts, matches or smoking hot burning items



WARNING



DON'TS CONTINUED...

- or use in an area where there may be harmful fluids (chlorine, bleach, and ammonia drain cleaner).
- Don't attempt to remove blockages with sharp objects as this may cause damage to the vacuum cleaner, remove blockages only as instructed in this guide.
 - Don't vacuum up hard or sharp objects such as glass, nails, screws or coins etc.
 - Don't use the vacuum cleaner with incorrect voltage as this may result in damage or injury to the user. The correct voltage is listed on the ratings label.

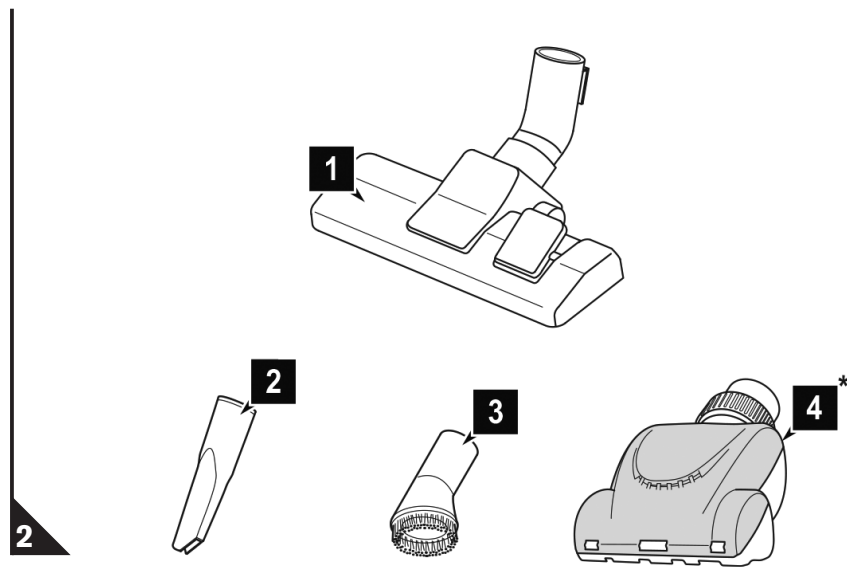
DO'S

- Turn off all controls on the vacuum cleaner before disconnecting or connecting the plug from the mains socket.
- Always make sure both the pre-motor/post-motor filters are in place before use.
- Take extra care when using and positioning the vacuum cleaner on the stairs
- Always switch off the vacuum cleaner before disconnecting or connecting the hose and accessories.
- Keep all openings clear and free from debris as this may affect the airflow/suction.
- Always replace the fuse in the plug with a British 13amp fuse. Always protect the power cable from heated surfaces and open flames.
- Use only CE approved 13amp extension cords, non-approved extension cords may overheat. Care should be taken to arrange the extension cord as it can be a trip hazard.
- Store the vacuum cleaner in a cool, dry area. If the filters have been cleaned as per the user guide instructions ensure they are thoroughly dry before storing away.

PLEASE KEEP INSTRUCTIONS FOR FURTHER USE AND USE ONLY AS INSTRUCTED IN THIS GUIDE.

3 BEFORE USE

3.1 SELECTING A TOOL/ACCESSORY



1. Select the tool/accessory according to the surface to be cleaned:

- **Combi tool (Fig. 2/1):**
Floor tool for cleaning both carpets and hard flooring.
- **Crevice tool (Fig. 2/2):**
Use this to vacuum dust from hard to reach places.
- **Dusting brush (Fig. 2/3):**
Use this to vacuum dust off objects that have sensitive surfaces.
- **Turbo tool (Fig. 2/4*):**
Is used to vacuum non-sensitive carpets, runners, mats, and the like.

***Some models only:**

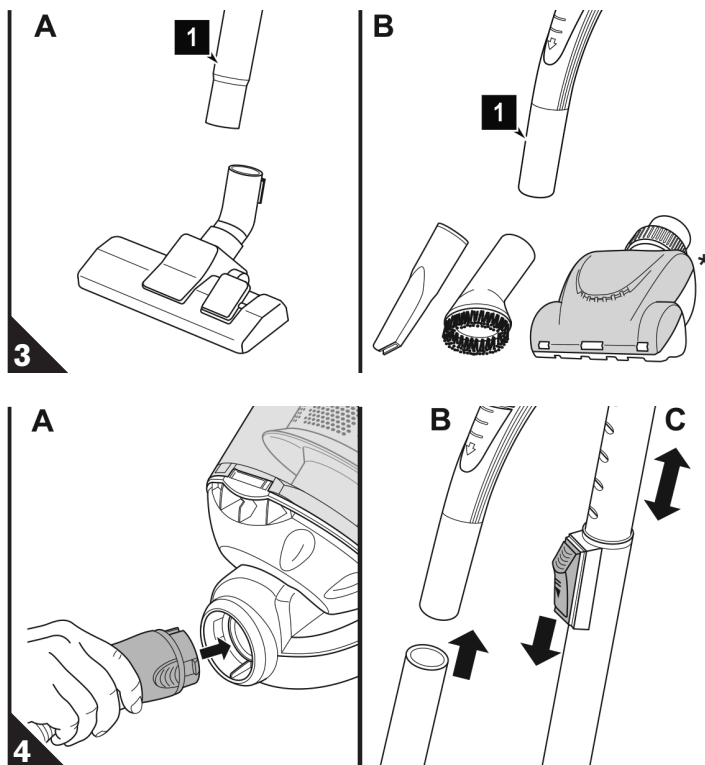
2. Check the selected tool/accessory for damage.

⚠ ATTENTION: Use only intact tool/accessory. If damaged, the nozzle may allow dust to escape or scratch the surface.

⚠ CAUTION

Before vacuuming, make sure that the fitted tool/ accessory suits the surface to be cleaned. Also observe the flooring manufacturer's recommendations.

3.2 ASSEMBLY



⚠ IMPORTANT: Risk of injury! Only attach the tool/accessory if the appliance is not connected to the power supply. The cylinder vacuum cleaner could be switched on by accident.

*(Some models only)

1. Attach the selected tool/accessory to the bottom end of the telescopic tube (Fig. 3/A1) or hose handle (Fig. 3/B1).
2. Insert the end of the suction hose into the intake opening (Fig. 4/A) of the vacuum cleaner until you hear and feel it locking into place.

If using the telescopic tube:

3. Insert the hose handle into the upper end of the telescopic tube (Fig. 4/B).
4. Adjust the length of the telescopic tube (Fig. 4/C). Press down the release latch on the tube to do this. Then extend the telescopic tube to the desired length. Let go of the release catch while pulling until it locks in place. You will hear a distinct click.

4 USE

⚠ CAUTION

Only use the cylinder vacuum cleaner when all filters are intact, dry and correctly fitted. Make sure that no objects obstruct the telescopic tube, the suction hose or other openings.

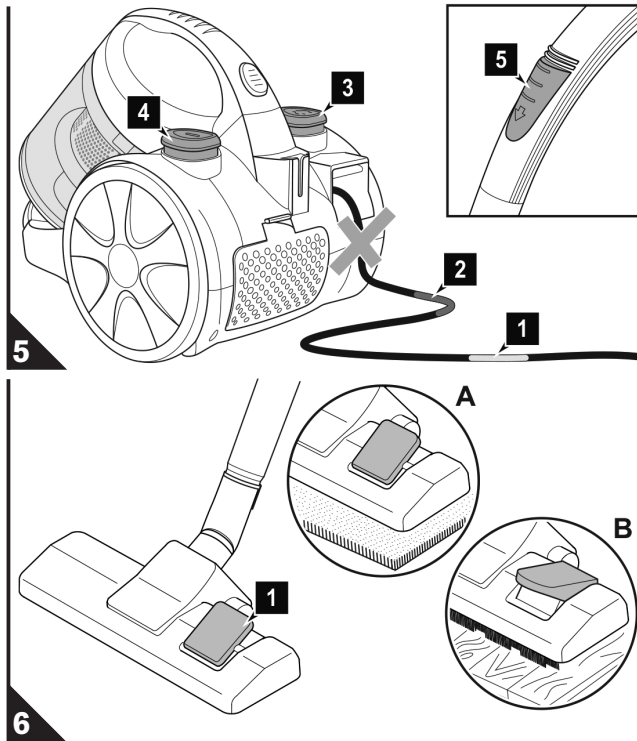
4.1 OPERATIONAL SAFETY

- ⚠ **IMPORTANT:** Risk of injury! Check machine and power cord before each use. A damaged machine must never be used.
- ⚠ **IMPORTANT:** Take extra care when positioning and using the vacuum cleaner on the stairs
- ⚠ **IMPORTANT:** The vacuum cleaner is equipped with a thermal cut-out. If for any reason the vacuum cleaner does overheat the thermostat will automatically turn the vacuum cleaner off. If this happens, switch the vacuum cleaner off and unplug. Remove and empty the dirt container also check the vacuum cleaner for blockages. Allow the vacuum cleaner to cool for approximately 1 hour (if you have cleaned the filters please wait 24 hours for the filters to fully dry before putting back into the machine).

4.2 HOW TO USE

- ⚠ **IMPORTANT:** When unwinding the power cord do not pull further than the yellow marker.

1. Pull out the cord by the plug up to the yellow mark (Fig. 5/1) and no further than the red mark (Fig. 5/2).
2. Plug into the mains.
3. Switch on the cylinder vacuum cleaner with the on/off switch (Fig. 5/4).
4. If using the combi tool, set the "carpet/hard floor" selector according to the type of floor that is to be cleaned (Fig. 6):
 - Fig. 6/A: for deep- and short-pile carpets, rugs.
 - Fig. 6/B: for smooth floors, e.g. parquet, tiles, PVC, etc.
5. Open the air vent on the handle to reduce the suction if required.



- ⚠ **IMPORTANT:** When leaving your working-area, switch off the appliance and comply with the notices in chapter 4.3, "Switching off". This will help avoid accidents.

CAUTION

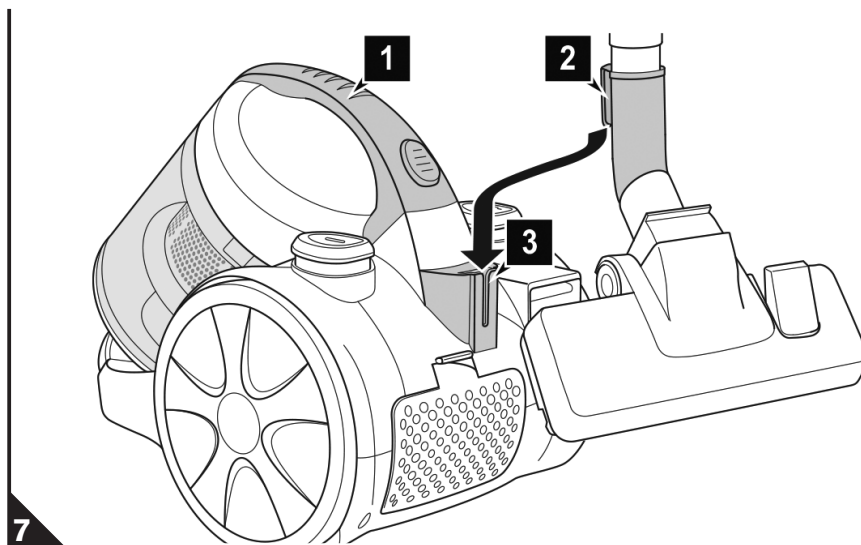
Never store the machine directly next to heat sources (e.g. heater, oven). Avoid exposure to direct sunlight. Heat can damage the machine.

4.3 SWITCHING OFF

1. Switch off the cylinder vacuum cleaner with the on/off switch (Fig. 5/4) and unplug from the mains.
2. Keep the plug in your hand.
3. To retract the power cord, push the cord retracting button (Fig. 5/3).

4.4 TRANSPORT AND STORAGE

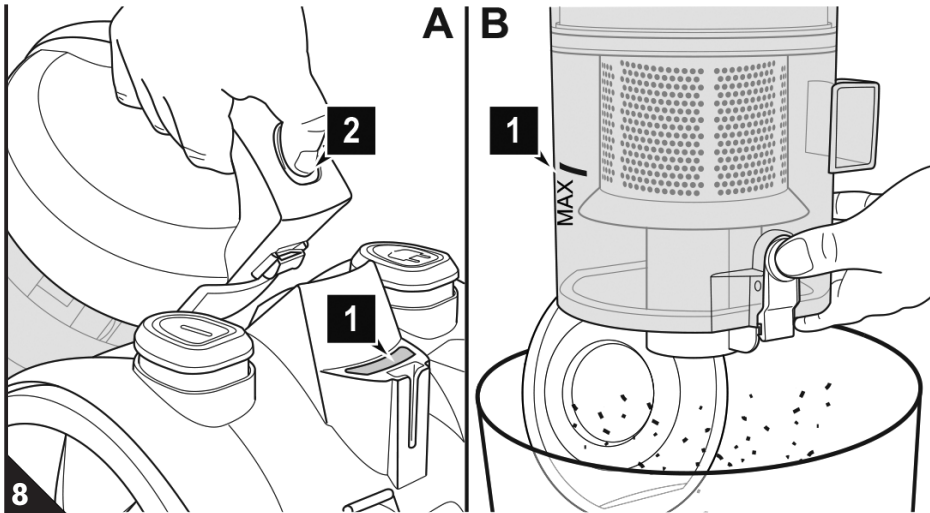
- Only carry the machine by its carrying-handle (Fig. 7/1).
- If you want to store the machine for longer period of time, empty the dirt container, > Chapter 5.1, 'Emptying the dirt container module'.
- Store the machine in a cool, dry place, out of the reach of children. For storage you can park the telescopic tube on the vacuum cleaner by inserting the parking-hook (Fig. 7/2) of the combi tool into the parking slot (Fig. 7/3).



5 MAINTENANCE

⚠ CAUTION
Switch off the machine before emptying the dirt container. This will prevent dirt from damaging the machine.

5.1 EMPTYING THE DIRT CONTAINER



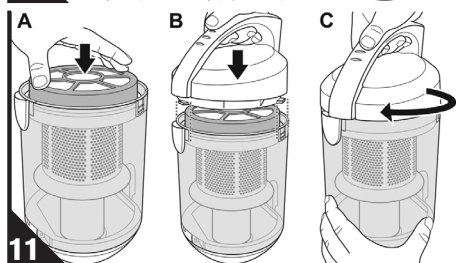
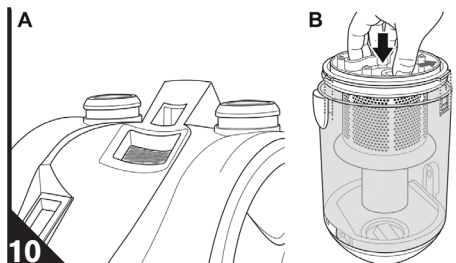
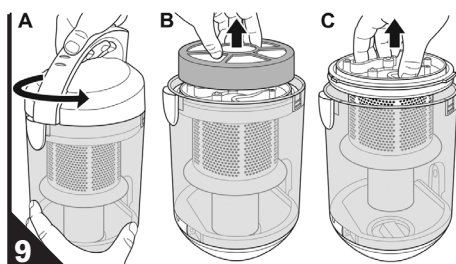
- It is best to empty the dirt container after each vacuuming session.
- Empty the dirt container at the latest:
 - if the blockage light (Fig. 8/A1) lights up;
 - the "MAX" marking (Fig. 8/B1) has been reached; or
 - before prolonged storage or dispatch.

1. Switch off the machine, chapter 4.3, 'Switching off'.
2. Remove the dirt container from its bracket by pressing the dirt container release button on the dirt container lid (Fig. 8/A2).
3. Empty the dirt container by holding it low over a dustbin and only then press the release catch (Fig. 8/B).
4. If the dirt container can no longer be completely cleaned by simply opening the bottom, the separator and shroud has to be removed to be cleaned. > Chapter 5.2 'Cleaning the dirt container and pre-motor filter'.

5.2 CLEANING THE DIRT CONTAINER AND PRE-MOTOR FILTER


CAUTION

The dirt container and the filter elements are washable, but may not be cleaned in dishwashers or washing-machines. Also, do not use detergents or brushes with hard bristles to clean them.




- It is best to check the pre-motor filter each time you empty the dirt container, > Chapter 5.1, 'Emptying the dirt container'.
 - Clean the pre-motor filter at the latest when the blockage light (Fig. 8/A1) lights up.
1. Switch off the machine, remove the dirt container and empty it, > Chapter 5.1, 'Emptying the dirt container'.
 2. Release the dirt container lid by firmly turning anti-clockwise (Fig. 9/A). Remove it from the dirt container.

3. Pull the pre-motor filter up and out of the dirt container (Fig. 9/B).
4. Remove the separator and shroud from the dirt container in an upward motion (Fig. 9/ C).
5. Remove any residual dirt still clinging to the dirt container, separator and shroud using a dry cloth or a soft brush, e.g. the supplied furniture brush.

 **IMPORTANT:** Refrain from cleaning the separator and shroud with water. Otherwise, adhering dirt particles may clog the separator and shroud.

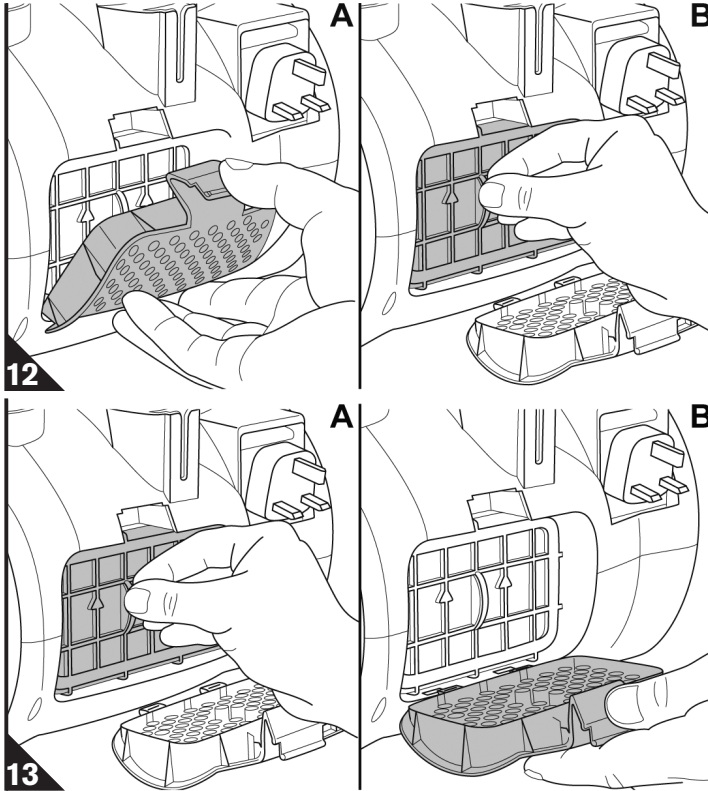
6. Hold the pre-motor filter low over a dirt bin. Separate the filter elements from one another. Remove larger agglomerations of dirt by hand. Tap filter over a dirt bin to remove any dirt and debris.
7. Rinse the pre-motor filter under water (Max 40°C).

 **IMPORTANT:** Let the filters dry for approx. 24 hours at room temperature after cleaning. Only put them back into the appliance when they are completely dry.

9. If one of the filter elements is damaged, replace it with a new one, > Chapter 5.4, 'Spare parts and accessories'.
10. Put the separator and shroud back into the dirt container (Fig. 10/B). Take care that the two wide tabs and the narrow tab engage in the wide grooves and the small groove, respectively.
11. Reassemble the pre-motor filter and put it back onto the separator and shroud (Fig. 11/A).
12. Put the dirt container lid back on (Fig. 11/B). Take care that the two wide tabs and the narrow tab engage in the wide grooves and the small groove, respectively.
13. Lock the lid by turning it firmly clockwise (Fig. 11/C) until it audibly clicks into place.

5 MAINTENANCE

5.3 CLEANING THE POST MOTOR FILTER



- Check the post-motor filter every time you clean the pre-motor filter, > Chapter 5.2, 'Cleaning the dirt container and pre-motor filter'.
- 1. Switch off the machine, > Chapter 4.3, 'Switching off'.
- 2. Push the release catch of the post-motor filter cover down (Fig. 12/A) and open the post-motor filter cover.
- 3. Remove the post-motor filter (Fig. 12/B).

- 4. Check the post motor filter for any discolouration.
- 5. If the post motor filter is heavily discoloured replace.
- 6. If the post motor filter is damaged, replace it, > Chapter 5.4, 'Spare parts and accessories'.
- 7. Re-fit the post-motor filter (Fig. 13/A).
- 8. Attach the post-motor filter cover at the bottom side first (Fig. 13/B) before folding it up firmly. It will audibly snap into place.



CAUTION


Only Dirt Devil recommended spares and accessories should be used with the vacuum cleaner, use of non-branded Dirt Devil spares and accessories will invalidate your guarantee.

5.4 SPARE PARTS

Spare parts can be reordered from: www.DirtDevil.co.uk
or alternatively call **0330 026 2626**.

5 MAINTENANCE

5.5 TROUBLESHOOTING

 **IMPORTANT:** Risk of injury! Never use a faulty machine! Always switch off the machine and disconnect it from the mains before starting troubleshooting > chapter 4.3, "Switching off".

Problem	Solution
<p>Blockage light (Fig. 1/6) lights up or cleaning results are not satisfactory.</p>	<p>The dirt container is full. Empty the dirt container > Chapter 5.1, 'Emptying the dirt container'.</p>
	<p>The filters are dirty. Clean the filter > Chapter 5.2, 'Cleaning dirt container and pre-motor filter' or > Chapter 5.3, 'Cleaning the post-motor filter'.</p>
	<p>Tool/accessory, telescopic tube or suction hose is blocked. Remove the obstruction. If necessary, use a long wooden stick (e.g. a broomstick) to do this.</p>
	<p>The air vent (Fig. 1/20) is open. Close the air vent (Fig. 1/20).</p>
	<p>The attached tool/accessory, is unsuitable. Change the tool/accessory, > Chapter 3.2, 'Selecting the proper nozzle'.</p>
	<p>The position of the 'carpet/hard floor' selector (Fig. 1/27) is inappropriate. Set the 'carpet/hard floor' selector (Fig. 1/27) to the correct position for the type of floor, > Chapter 4.2, 'How to vacuum', step 4.</p>
<p>Why does my vacuum cleaner have no power?</p>	<p>The motor thermostat may have tripped. If this has happened, unplug the vacuum cleaner. Remove and empty the dirt container and check the hose for blockages. Clean the filters and allow the vacuum cleaner to cool for approximately 1 hour (if you have washed the filters you will need to wait 24 hours for the filters to fully dry before putting them back into the vacuum cleaner).</p>
	<p>The plug may not be fully pushed into the electrical socket.</p>
	<p>Check the fuse in the plug if this needs replacing, always replace with a British 13amp fuse.</p>

NOTE:

If you were unable to solve the problem using the information in the table above, please contact our Customer Service (UK) **0330 026 2626**.

NOTES



**Call our Customer
Service Department at
0330 026 2626**
Monday-Friday 9:00am to 5:00pm.

www.DirtDevil.co.uk

Dirt Devil, 2 Colmore Square, 38 Colmore Circus, Queensway, Birmingham, B4 6BN.



EEC Statement of Compliance: Manufacturer/EEC importer: Vax Limited trading as Dirt Devil, hereby on our own responsibility, declare that the DDC05-E01/DDC05-P01 series is manufactured in compliance with the following Directives: **Safety:** 2006/95/EC Low Voltage Directive. **EMC:** 2004/108/EC Electromagnetic Compatibility Directive



Waste electrical products should not be disposed of with household waste. Please recycle where facilities exist. Check with your Local Authority or retailer for recycling advice.