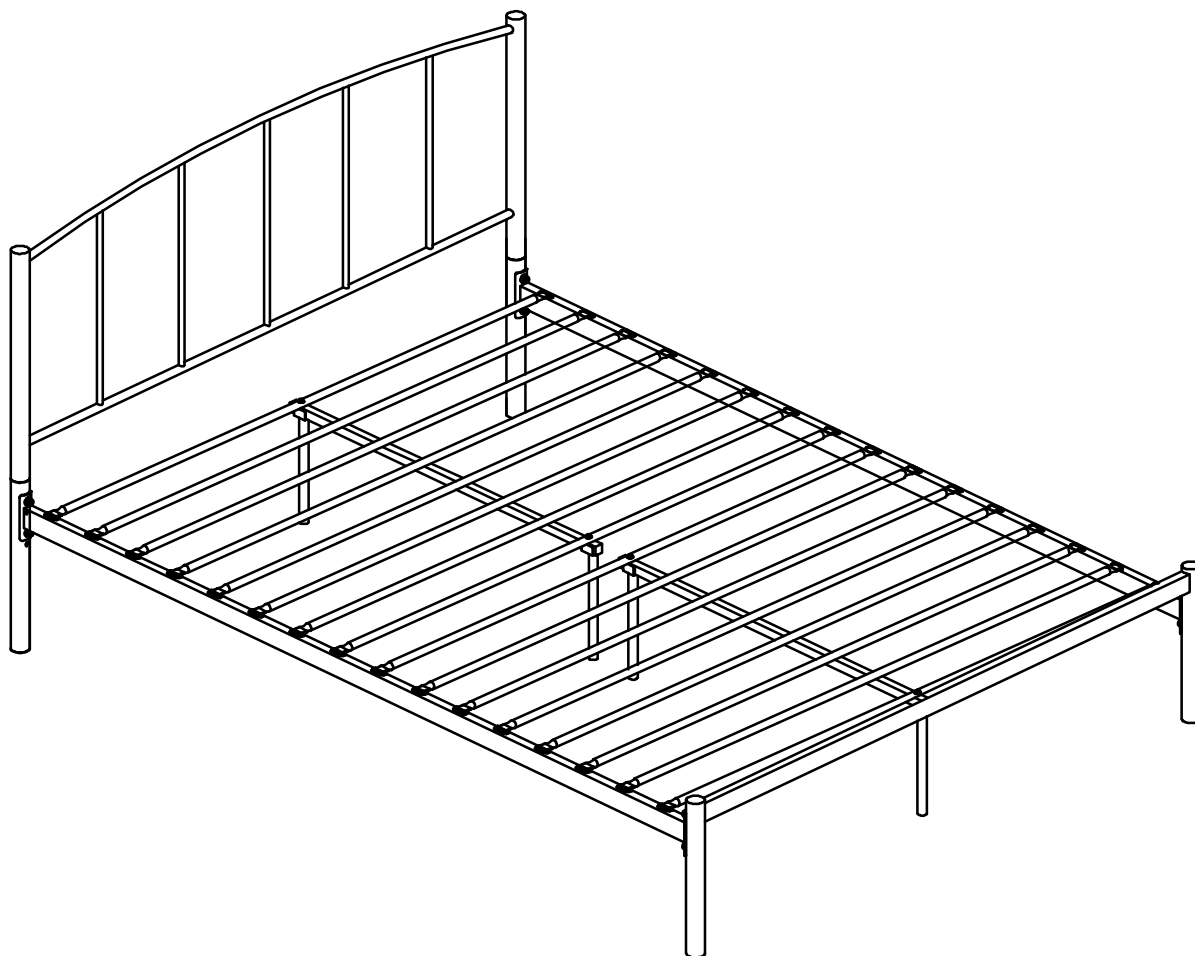


# Austin 4ft6 Bed

Assembly Instructions - Please keep for future reference

391/2470

395/8317



## Dimensions

Width - 140.7cm

Depth - 198.8cm

Height - 91cm

**Important – Please read these instructions fully before starting assembly**

If you need help or have damaged or missing parts, call the **Customer Helpline:**  
**Argos = 0345 6400800**



# Safety and Care Advice

**Important – Please read these instructions fully before starting assembly**

- Check you have all the components and tools listed on the following pages.
- Remove all fittings from the plastic bags and separate them into their groups.
- Keep children and animals away from the work area, small parts could choke if swallowed.
- Make sure you have enough space to layout the parts before starting.

- During assembly do not stand or put weight on the product, this could cause damage.
- Assemble the item as close to its final position (in the same room) as possible.
- Assemble on a soft level surface to avoid damaging the unit or your floor.
- Parts of the assembly will be easier with 2 people.



- To reduce the likelihood of damaging your product please ensure that your power drill is set on a low torque setting.

## Care and maintenance

- Only clean using a damp cloth and mild detergent, do not use bleach or abrasive cleaners.
- From time to time check that there are no loose screws on this unit.
- This product should not be discarded with household waste. Take to your local authority waste disposal centre.

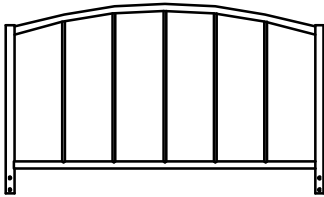
## Handy Hints

- Assemble all parts and bolts loosely during assembly, only once the product is complete should you fully tighten the bolts
- Regularly check and ensure that all bolts and fittings are tightened properly.

# Components - Panels

If you have damaged or missing components, call the  
**Customer Helpline: Argos = 0345 6400800**

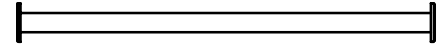
Please check you have all the panels listed below



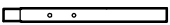
**1** Headboard  
(140.7 x 48.2cm)



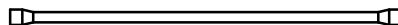
**2** Footboard  
(140.7 x 36.5cm)



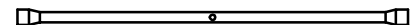
**3** Side rail x 2  
(192.2 x 9cm)



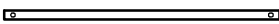
**4** Headboard post x 2  
(Dia3.8 x 47.5cm)



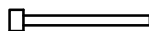
**5** Slat x 12  
(137.2 x 3.2cm)



**6** Slat x 4  
(137.2 x 3.2cm)



**7** Center support slat x 2  
(86.7 x 1.8cm)


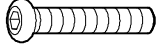
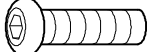








**8** Leg x 4  
(32.3 x 2.5cm)

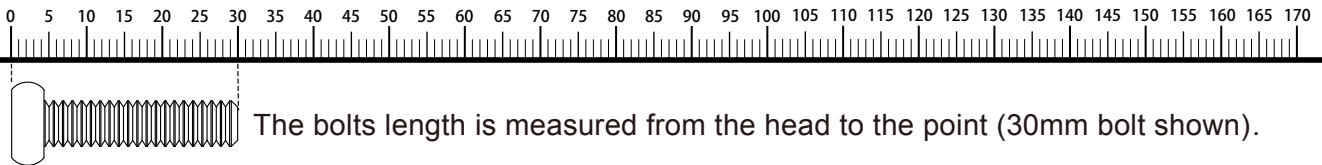
# Components - Fittings

Please check you have all the fittings listed below

**Note:** The quantities below are the correct amount to complete the assembly. In some cases more fittings may be supplied than are required.

<p><b>A</b>  16mm Bolt x 4</p>	<p><b>B</b>  49mm Bolt x 4</p>	<p><b>C</b>  30mm Bolt x 8</p>
<p><b>D</b>  Small plain washer x 4</p>	<p><b>E</b>  Large plain washer x 8</p>	<p><b>F</b>  Spring washer x 8</p>
<p><b>G</b>  Plastic washer x 8</p>	<p><b>H</b>  Small hex key x 1</p>	<p><b>I</b>  Large hex key x 1</p>

**Ruler** - Use this ruler to help correctly identify the screws



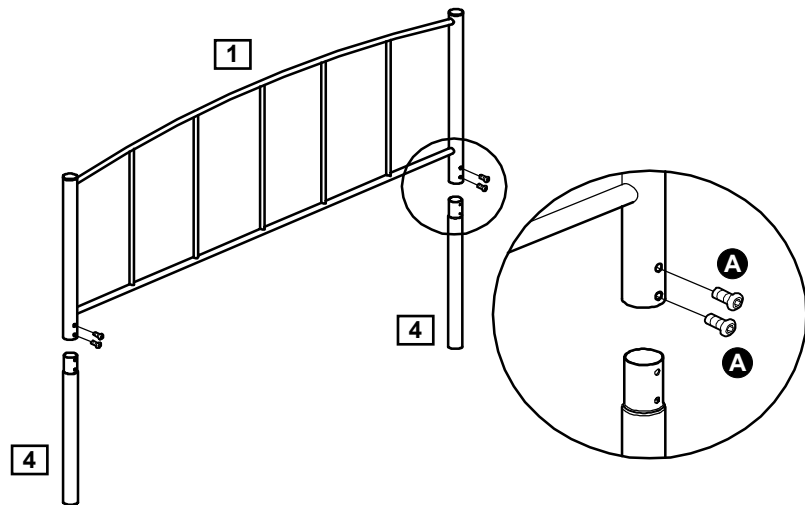
The bolts length is measured from the head to the point (30mm bolt shown).

# Assembly Instructions

## Step 1

### Assemble headboard

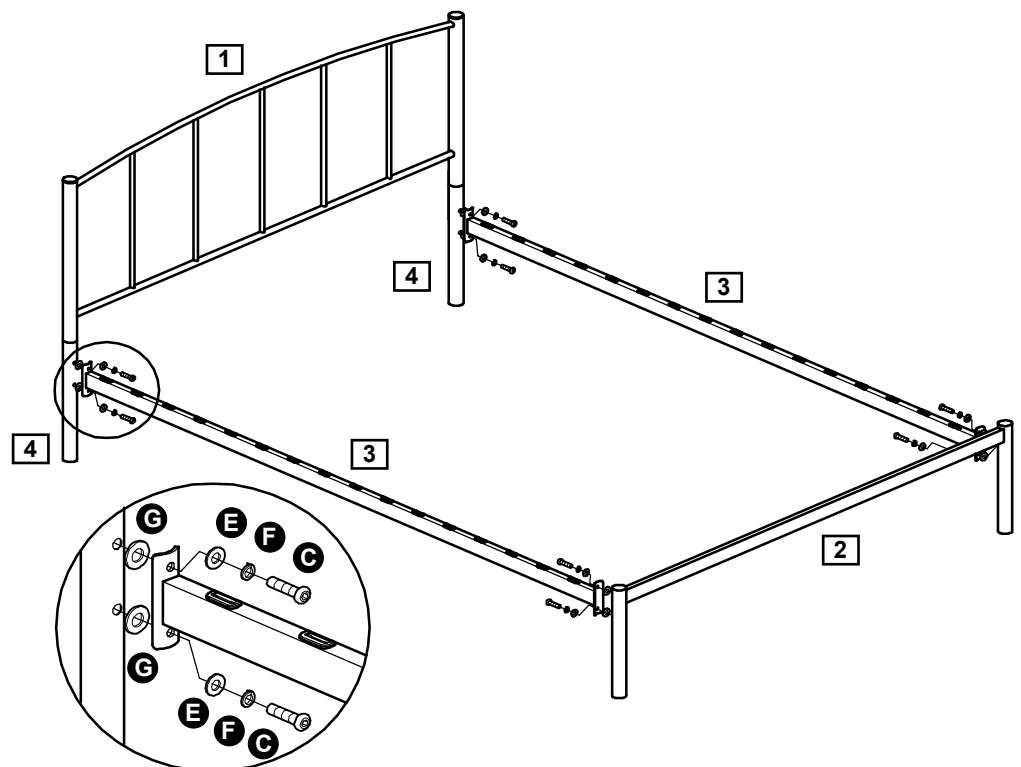
Fix headboard post **4** to headboard **1** using bolts **A**.



## Step 2

### Assemble side rails

Fix side rails **3** to headboard posts **4** and footboard **2** using bolts **C**, spring washers **F**, large plain washers **E** and plastic washers **G**.



 **Important note:**

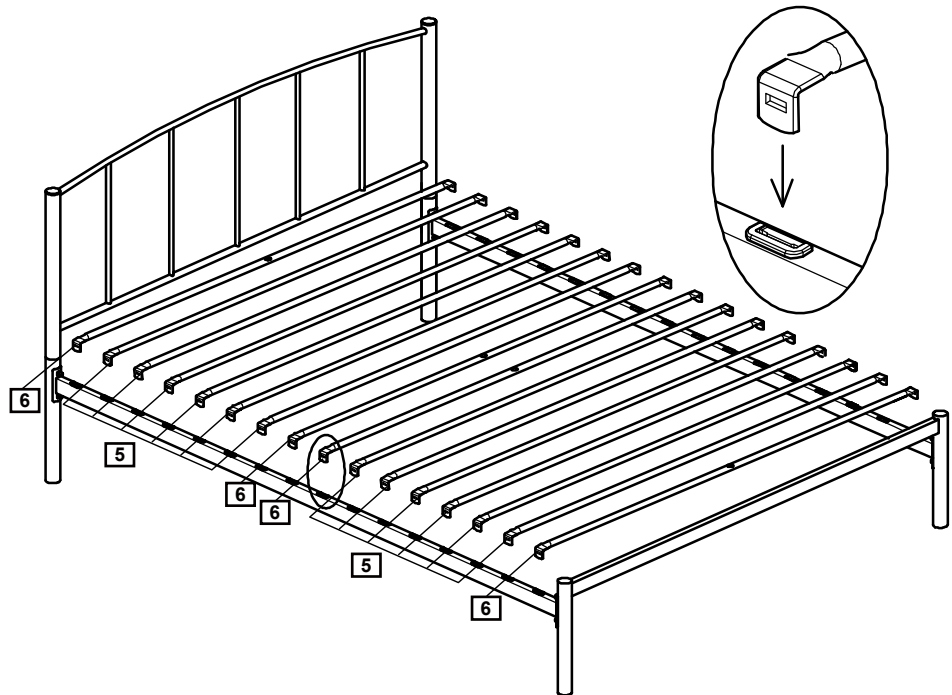
Do not fully tighten bolts at this stage.

# Assembly Instructions

## Step 3

### Assemble slats

Insert slats **5** and **6** to the side rails.

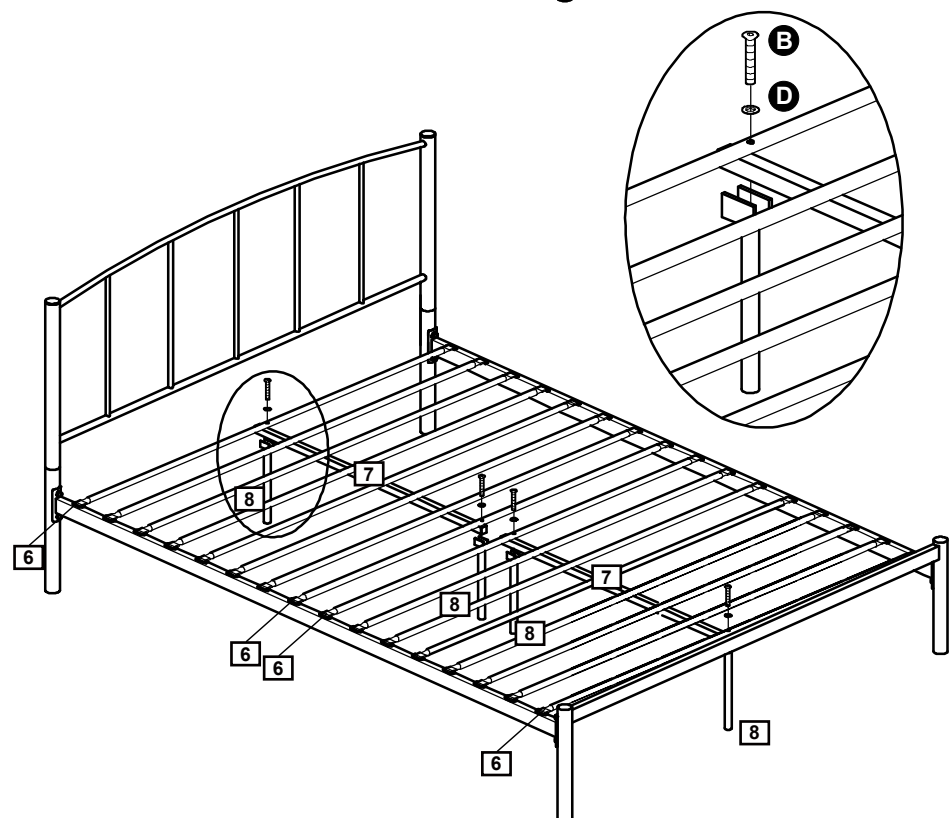


## Step 4

### Assemble center support slats and legs

Fix center support slats **7** and legs **8** to slats **6** using bolts **B** and small plain washers **D**.

Assembly is complete.



**Important note:** After all the parts are positioned, you can now fully tighten all bolts fixed on previous steps.

If you need help or have damaged or missing parts, call the **Customer Helpline:**  
**Argos = 0345 6400800**