

OSCAR TV UNIT

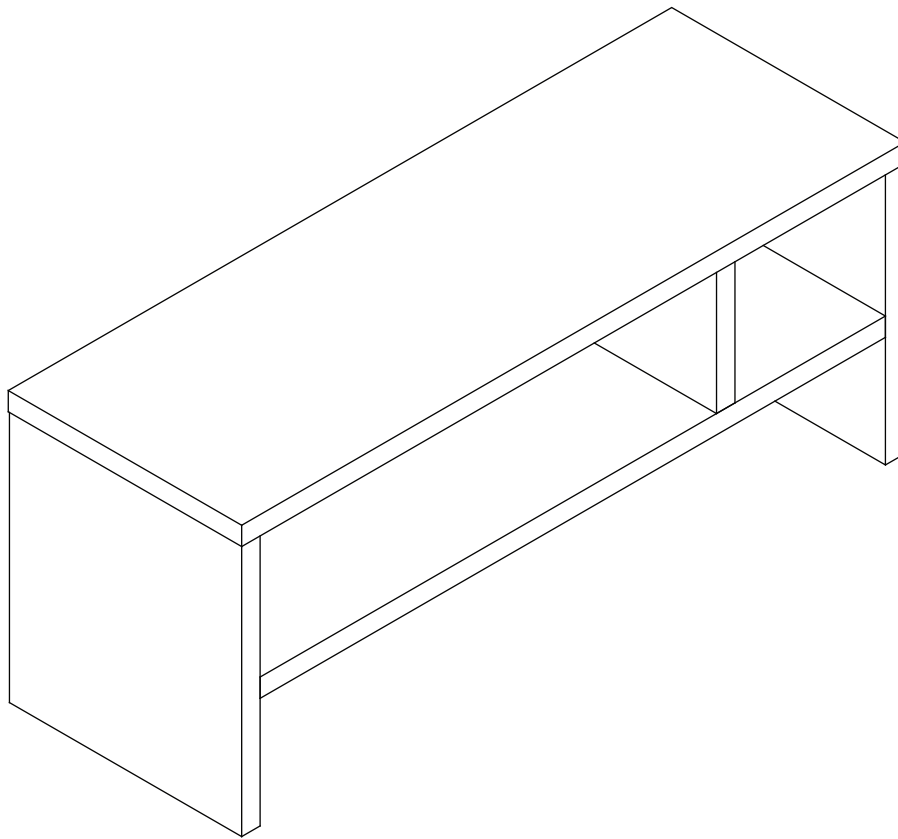
Assembly Instructions - Please keep for future reference

395/3604

426/9098

402/3533

395/6319



Dimensions

Width - 108cm
Depth - 38 cm
Height - 44 cm

Important - Please read these instructions fully before starting assembly

If you need help or have damaged or missing parts, call the **Customer Helpline: 0345 6400 800**



Safety and Care Advice

Important – Please read these instructions fully before starting assembly

Check you have all the components and tools listed on pages 2 and 3.

Remove all fittings from the plastic bags and separate them into their groups.

Keep children and animals away from the work area, small parts could choke if swallowed. Make sure you have enough space to layout the parts before starting.

Assemble the item as close to its final position (in the same room) as possible.

Assemble on a soft level surface to avoid damaging the unit or your floor.

Assembly requires 2 people.

Keep this instructions for future use.

Do not stand or put excessive weight on the product, this could cause damage.



We do not recommend the use of power drill/drivers **for inserting screws**,

as this could damage the unit. Only use hand screwdrivers and Allen keys.

Dispose of all packaging carefully and responsibly.

Care and maintenance

Only clean using a damp cloth and mild detergent, do not use bleach or abrasive cleaners.

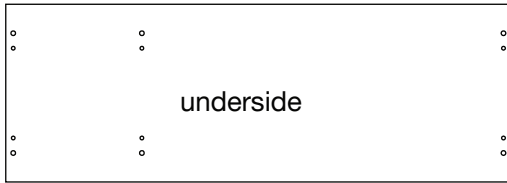
From time to time check that there are no loose screws on this unit.

This product should not be discarded with household waste. Take to your local authority waste disposal centre.

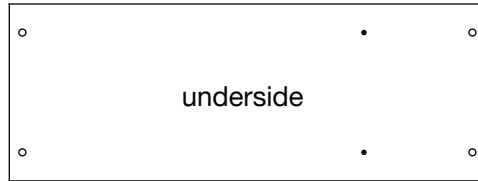
Components - Parts

If you have damaged or missing components.
call the **Customer Helpline** : 0345 6400 800

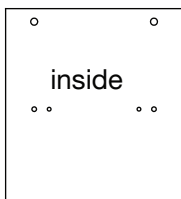
Please check you have all the parts listed below



- 1** Top x 1
(108x38x3cm)



- 2** shelf x1
(101.8x37.6x3cm)



- 3** Side panel x 2
(41x37.8x3cm)



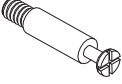


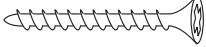


- 4** Divider x 1
(37.6x20x3cm)

Components - Fittings

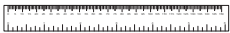
If you have damaged or missing components, call the **Customer Helpline: 0345 6400 800**

Please check you have all the fittings listed below

Note: The quantities below are the correct amount to complete the assembly. In some cases more fittings may be supplied than are required.

A  Metal dowel x 10	B  Locking nut x 10	C  Wooden dowel x 12
D  40mm Wood screw x 2	E  EVA pad x 4	F  Sticker x 8

Tools required

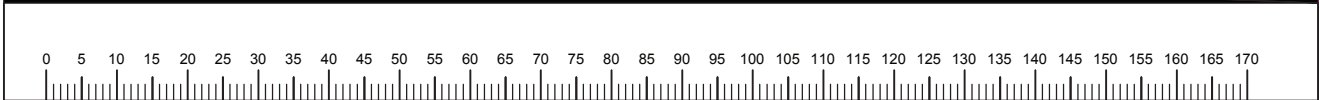


Ruler/tape measure



Phillips screwdriver
(Not supplied)

Ruler - Use this ruler to help correctly identify the screws



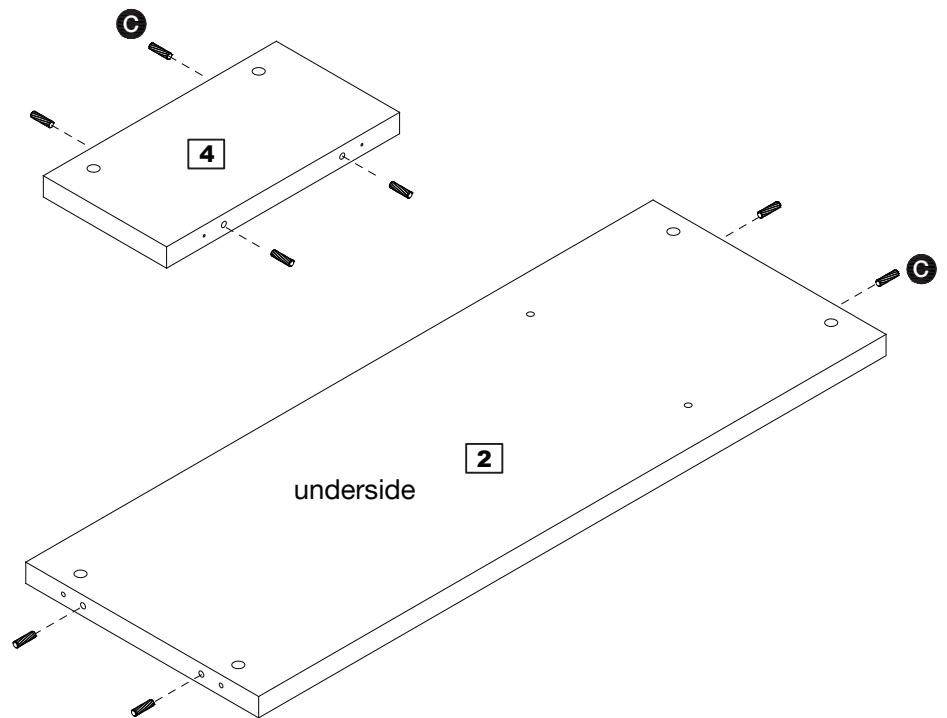
Assembly Instructions

Step 1

Preparing panels

Place divider **4** and shelf **2** flat onto the floor with the fixing holes facing up.

Insert wood dowels **C** into panels **2** and **4** as shown.



Step 2

Preparing side panels

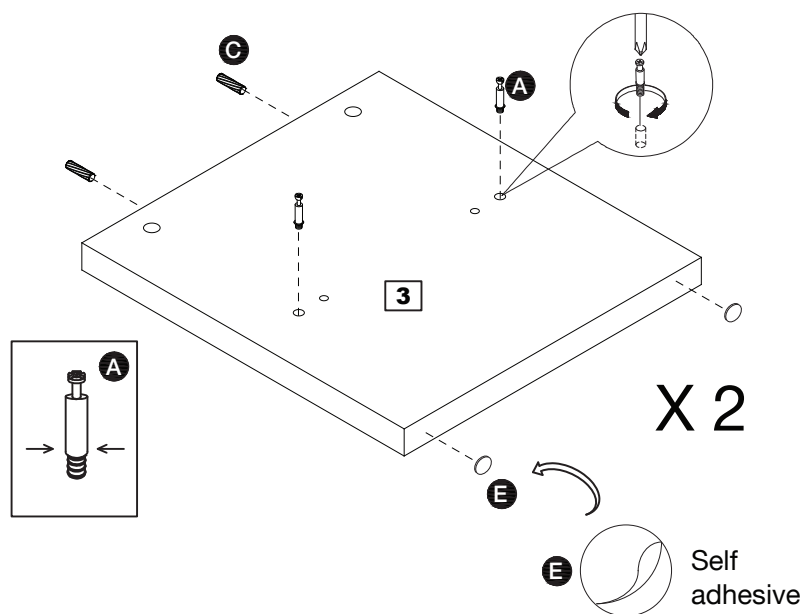
Place side panels **3** flat on the floor with the fixing holes facing up.

Screw metal dowels **A** into panels **3** as shown.

Note: Screw metal dowels as far as shown. Do not overtighten.

Insert wood dowels **C** into one end of panels **3** as shown.

Carefully stick self adhesive EVA pads **E** onto the opposite end of panels **3** as shown.

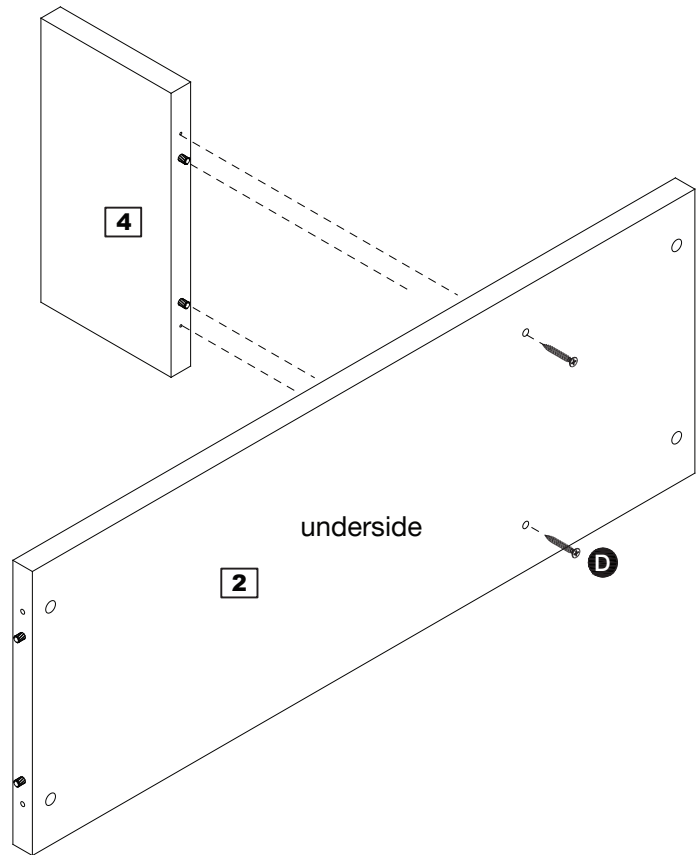


Assembly Instructions

Step 3

Assembling divider

With help, assemble divider **4** to shelf **2** using screw **D**.



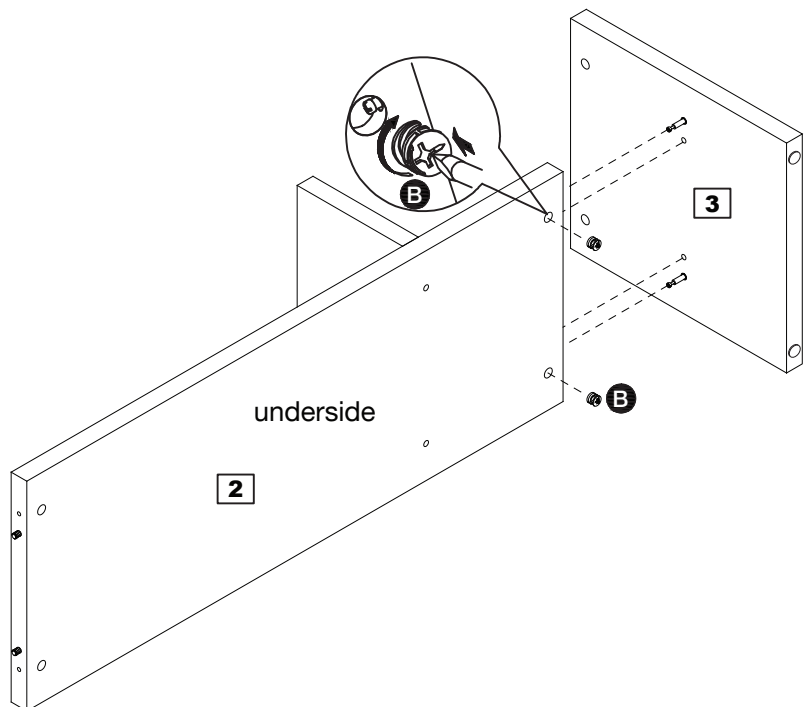
Step 4

Assembling side panel

Carefully locate one side panel **3** into position.

Insert locking nuts **B** into the holes on the underside of shelf **2**.

Turn locking nuts **B** clockwise to secure.

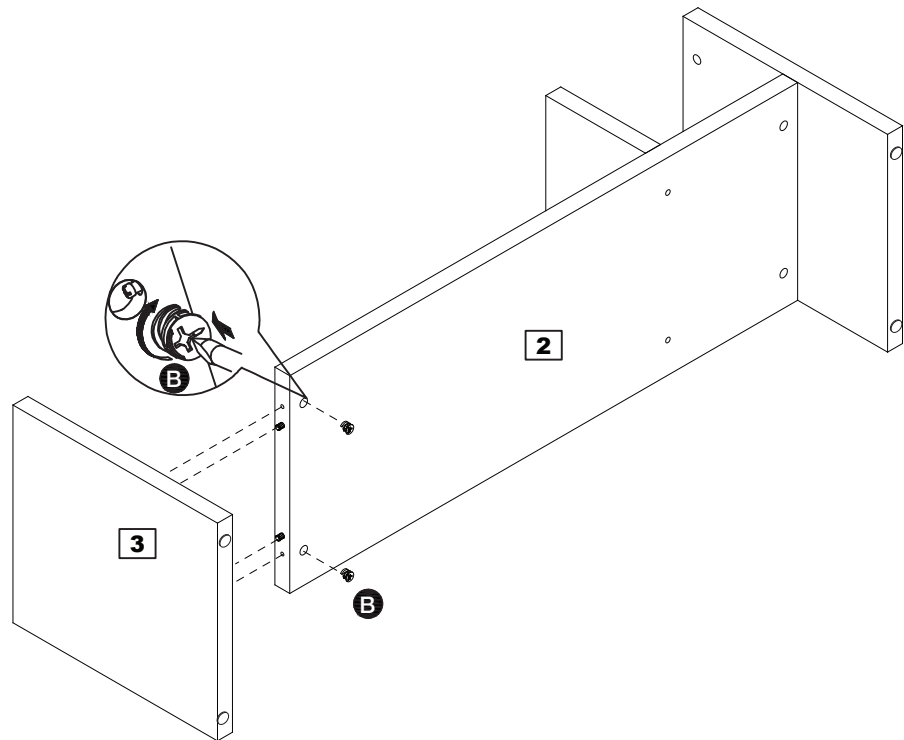


Assembly Instructions

Step 5

Assembling side panel

Repeat Step 4 to assemble the other side panel **3** as shown.



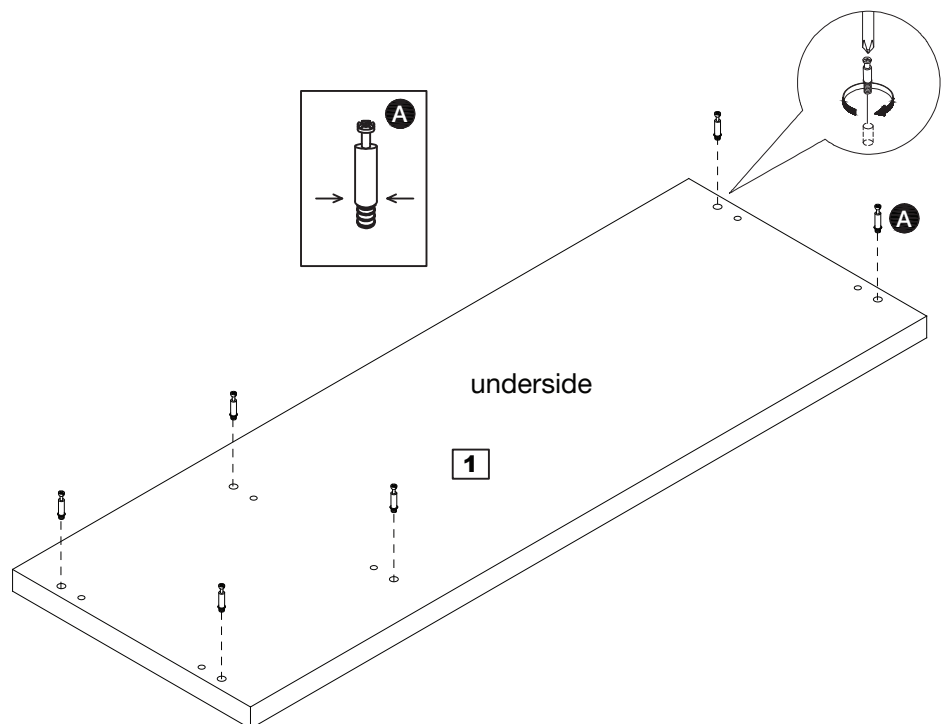
Step 6

Preparing top

Place top **1** flat on the floor with the fixing holes facing up.

Screw metal dowels **A** into top **1** as shown.

Note: Screw metal dowels as far as shown. Do not overtighten.



Assembly Instructions

Step 7

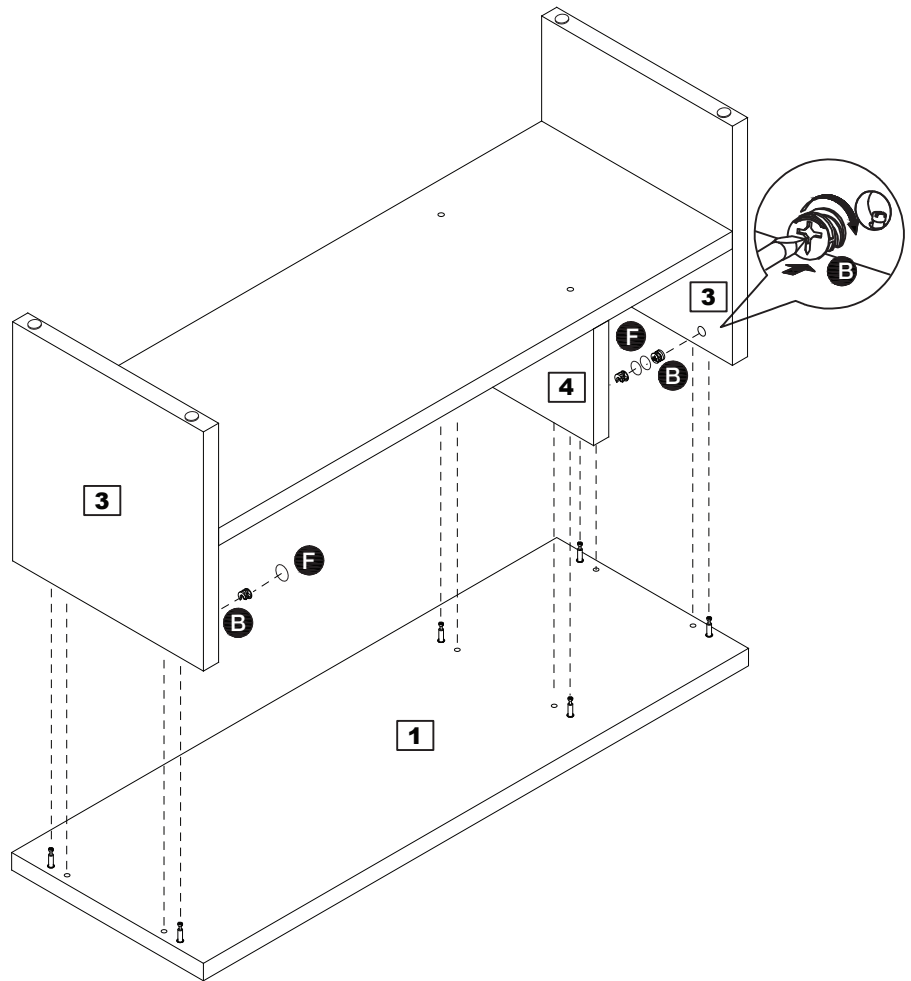
Assembling top panel

With help, carefully align the shelf assembly onto top **1**.

Insert locking nuts **B** into side panels **3** and divider **4** as shown.

Turn locking nuts **B** clockwise to secure.

Stickers **F** can be used to cover the fixing holes.

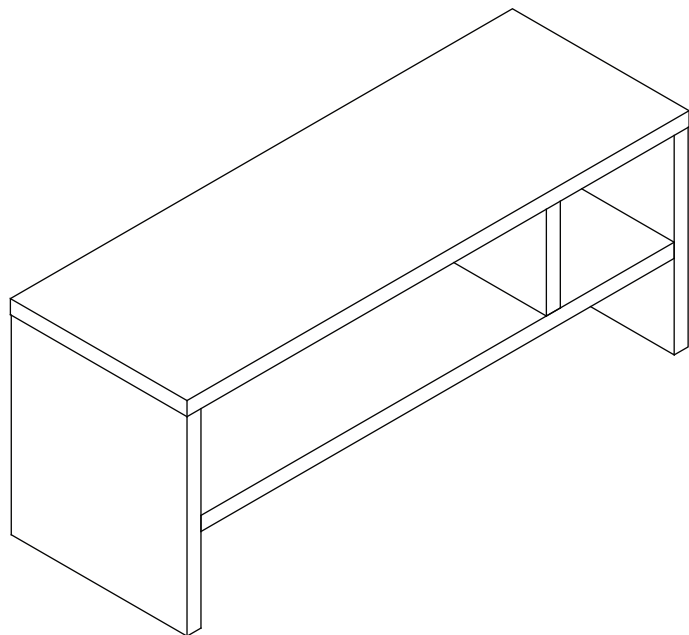


Step 8

With help, carefully turn the unit upright.



Warning: The unit is heavy lift with care.



Assembly is complete.

If you need help or have damaged or missing parts, call the **Customer Helpline: 0345 6400 800**
Home Retail Group, 489-499 Avebury Boulevard, Saxon Gate West, Central Milton Keynes, MK9 2NW