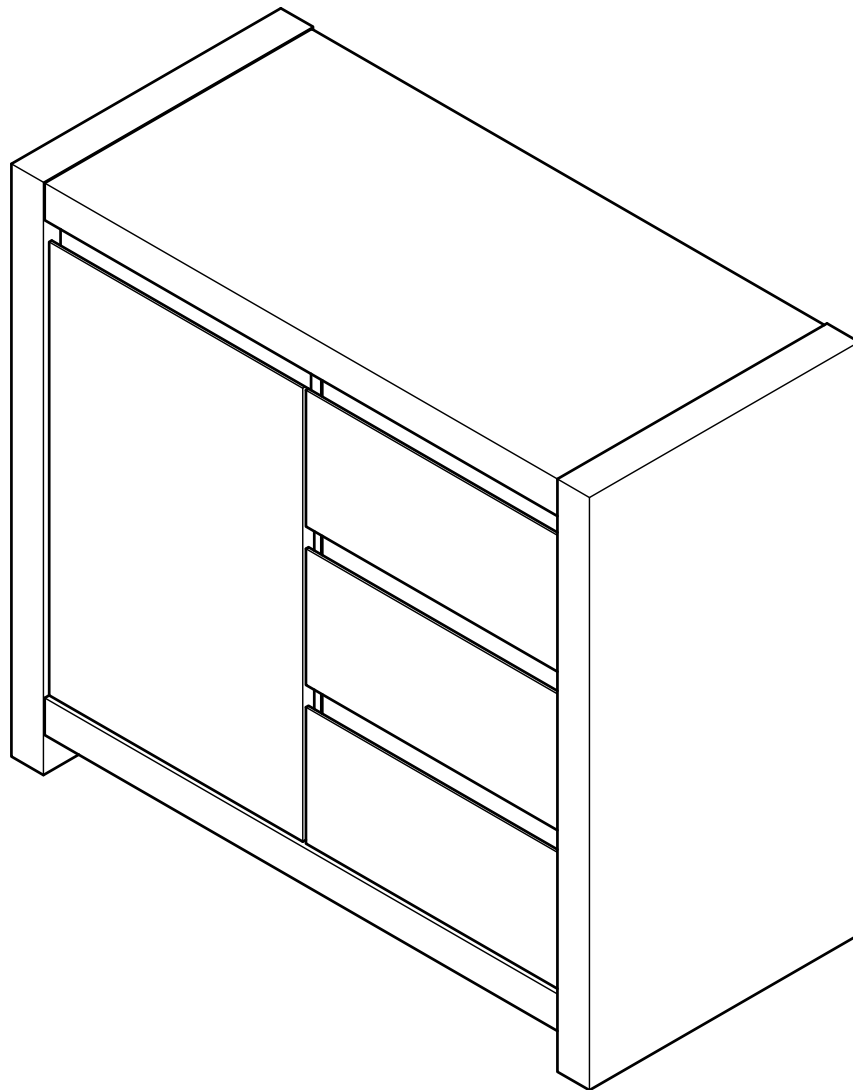


# Sicity1 Door 3 Drawer Sideboard

Assembly Instructions - Please keep for future reference

392/7537



## Dimensions

Width - 90cm

Depth - 40cm

Height - 80cm

**Important** - Please read these instructions fully before starting assembly

If you need help or have damaged or missing parts, call the **Customer Helpline: 03456 400800**



# Safety and Care Advice

## Important - Please read these instructions fully before starting assembly

- Check you have all the components and tools listed on the following pages.
- Remove all fittings from the plastic bags and separate them into their groups.
- Keep children and animals away from the work area, small parts could choke if swallowed.
- Make sure you have enough space to layout the parts before starting.

- During assembly do not stand or put weight on the product, this could cause damage.
- Assemble the item as close to its final position (in the same room) as possible.
- Assemble on a soft level surface to avoid damaging the unit or your floor.
- Parts of the assembly will be easier with 2 people.



- To reduce the likelihood of damaging your product please ensure that your power drill is set on a low torque setting.

## Care and maintenance

- Only clean using a damp cloth and mild detergent, do not use bleach or abrasive cleaners.
- From time to time check that there are no loose screws on this unit.
- This product should not be discarded with household waste. Take to your local authority waste disposal centre.

## Handy Hints

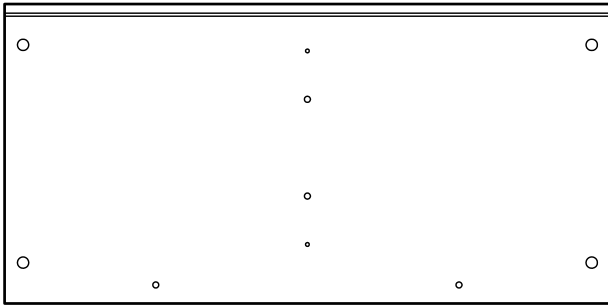
- Assemble all parts and bolts loosely during assembly, only once the product is complete should you fully tighten the bolts.
- Regularly check and ensure that all bolts and fittings are tightend properly.

**Note:** If required the next page can be cut out and used as reference throughout the assembly. Keep this page with these instructions for future reference.

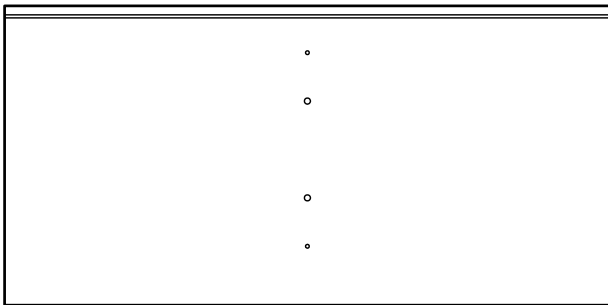
# Components - Panels

If you have damaged or missing components, call the **Customer Helpline: 03456 400800**

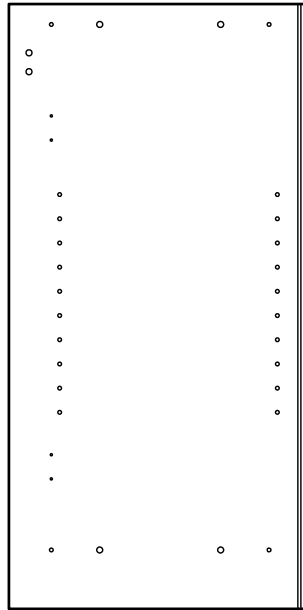
Please check you have all the panels listed below



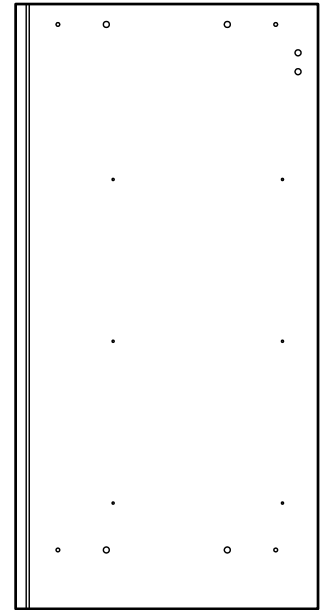
**1** Top panel (80.1 x 39.6cm)



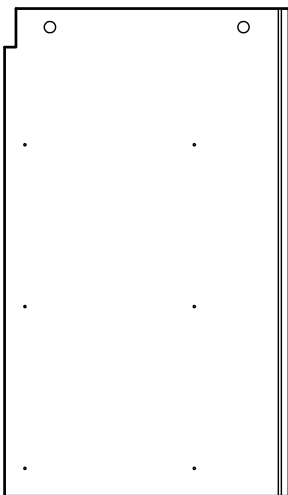
**2** Bottom panel (80.1 x 39.6cm)



**3** Left side panel (80 x 40cm)



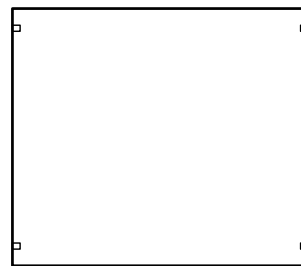
**4** Right side panel (80 x 40cm)



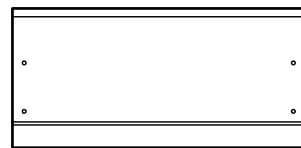
**5** Middle side panel (64.5 x 37.6cm)



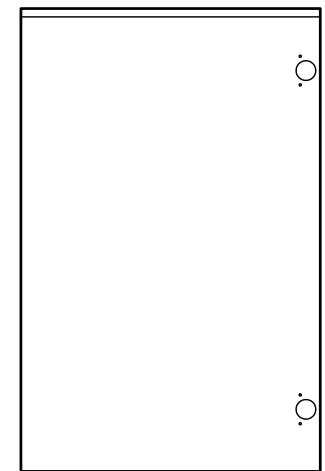
**6** Back x2 (65.5 x 40.3cm)



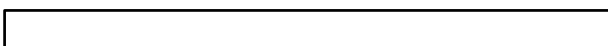
**7** Shelf (39.1 x 34cm)



**11** Drawer front x3 (39.6 x 18.4cm)



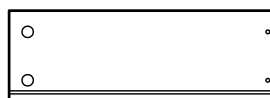
**10** Door (61.2 x 39.6cm)



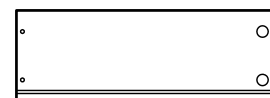
**8** Support (39.3 x 5cm)



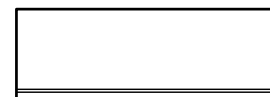
**9** Right rail x2 (39.3 x 5cm)



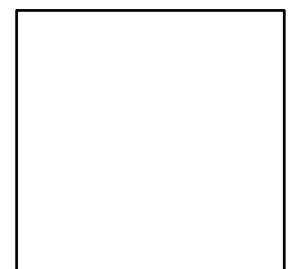
**12** Drawer left side x3 (35 x 12cm)



**13** Drawer right side x3 (35 x 12cm)



**14** Drawer back x3 (34.4 x 12cm)



**15** Drawer bottom x3 (35.4 x 34.6cm)

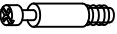

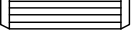
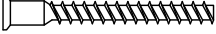


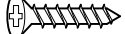
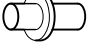
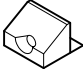
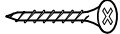



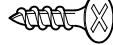

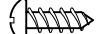


# Components - Fittings

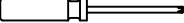
If you have damaged or missing components, call the **Customer Helpline: 03456 400800**

Please check you have all the fittings listed below

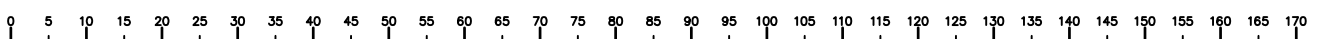
**Note:** The quantities below are the correct amount to complete the assembly. In some cases more fittings may be supplied than are required.

<b>A</b>  Locking pin x 22	<b>B</b>  12mm Locking nut x 10	<b>C</b>  Dowel x 26
<b>D</b>  85mm Screw x 2	<b>E</b>  9mm Locking nut x 12	<b>F</b>  Hinge x 2
<b>G</b>  31mm Screw x 12	<b>H</b>  Shelf support x 4	<b>I</b>  Plastic fastener x 10
<b>J</b>  16mm Screw x 10	<b>K</b>  12mm Screw x 24	<b>L</b>  Wrench x 1
<b>M</b>  Drawer runner x 3 set	<b>N</b>  15mm Screw x 8	<b>O</b>  Wall Strap x 2
<b>P</b>  15mm Screw x 2		

## Tools required

 Phillips screwdriver  
(medium & large)

## Ruler - Use this ruler to help correctly identify the screws



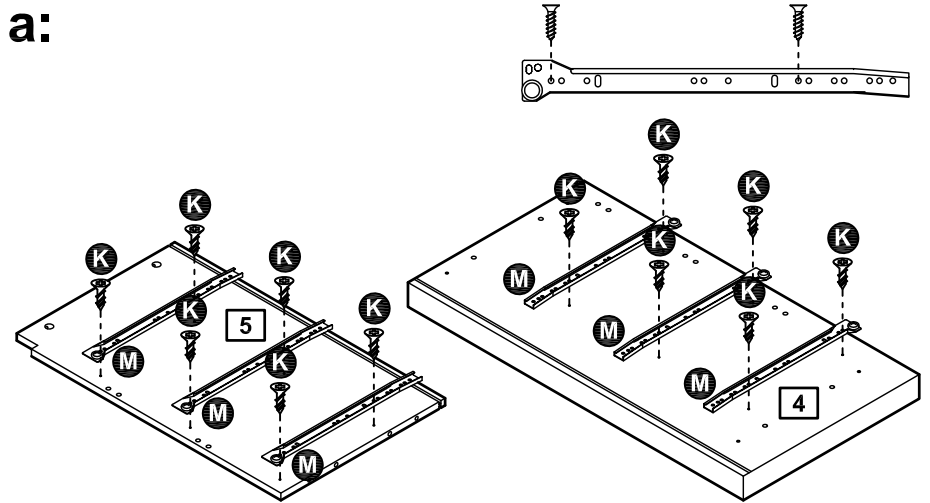
The screws length is measured from the head to the point (30mm screw shown).

# Assembly Instructions

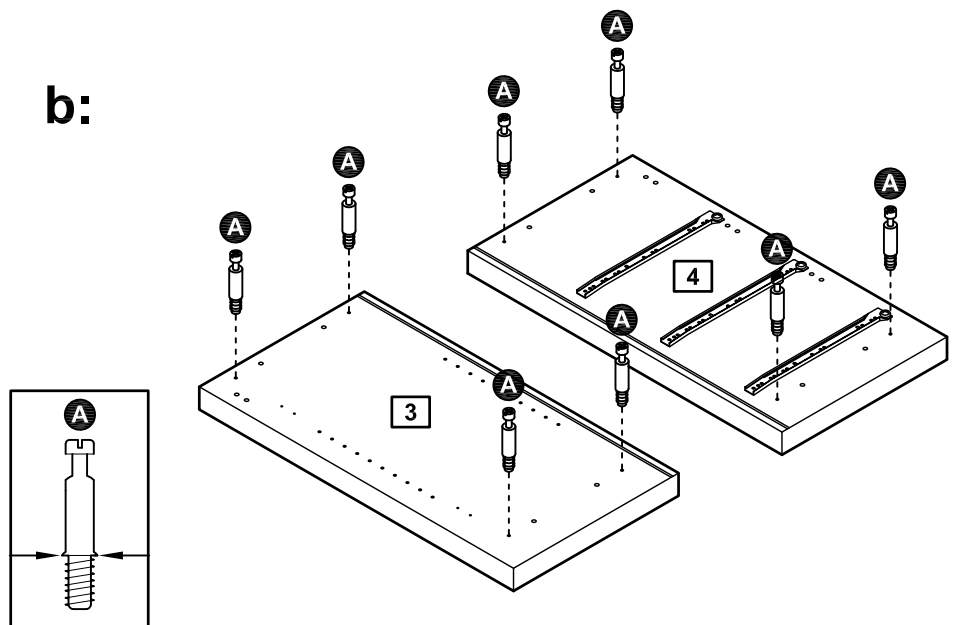
## Step 1

### Fitting drawer runner

**a:** Use screws **K** to fix drawer runners **M** onto the middle side **5** and right side **4**.



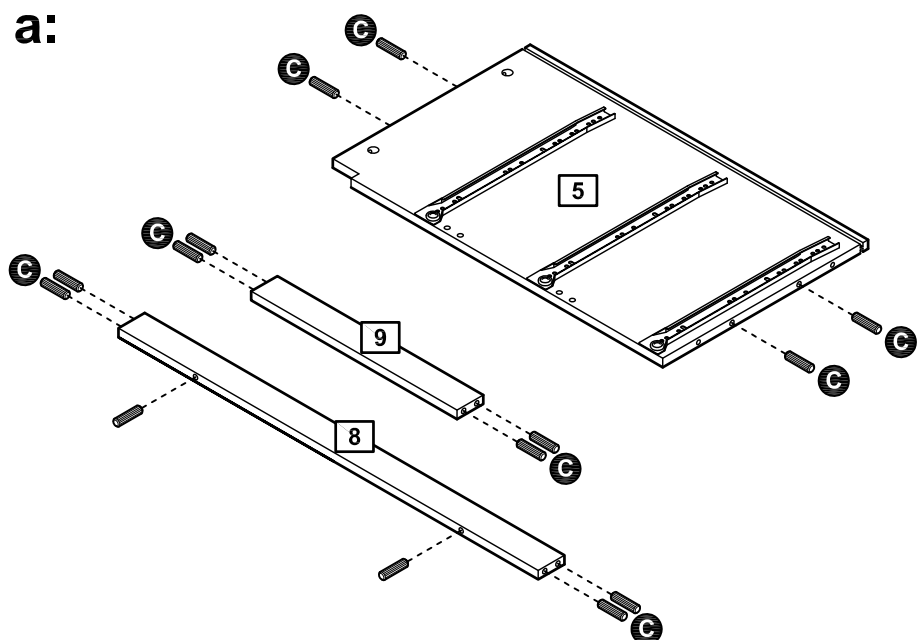
**b:** Screw locking pins **A** into side panels **3** and **4**. Insert locking pins as far as shown.



## Step 2

### Fitting middle part

**a:** Insert dowels **C** into middle side panel **5**, support **8** and right rail **9**.



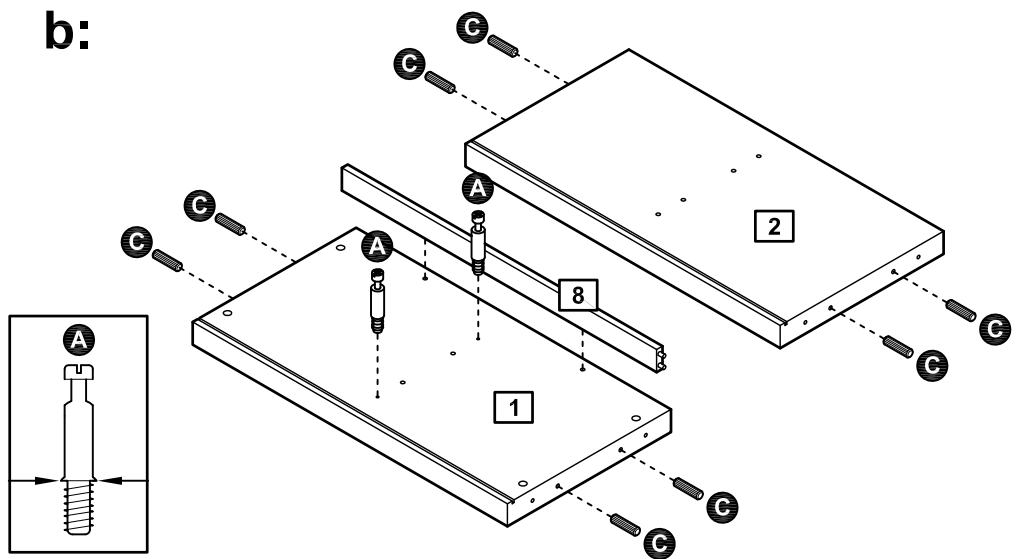
# Assembly Instructions

## Step 2 - continued

**b:** Insert dowels **C** into top panel **1** and bottom panel **2**.

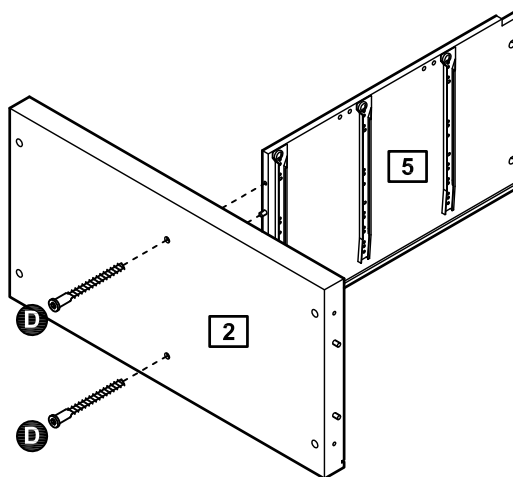
Screw locking pins **A** into top panel **1**. Insert locking pins as far as shown.

Attach support **8** onto top panel **1**.



**c:** Use screws **D** to fix bottom panel **2** onto middle panel **5** by wrench **L**.

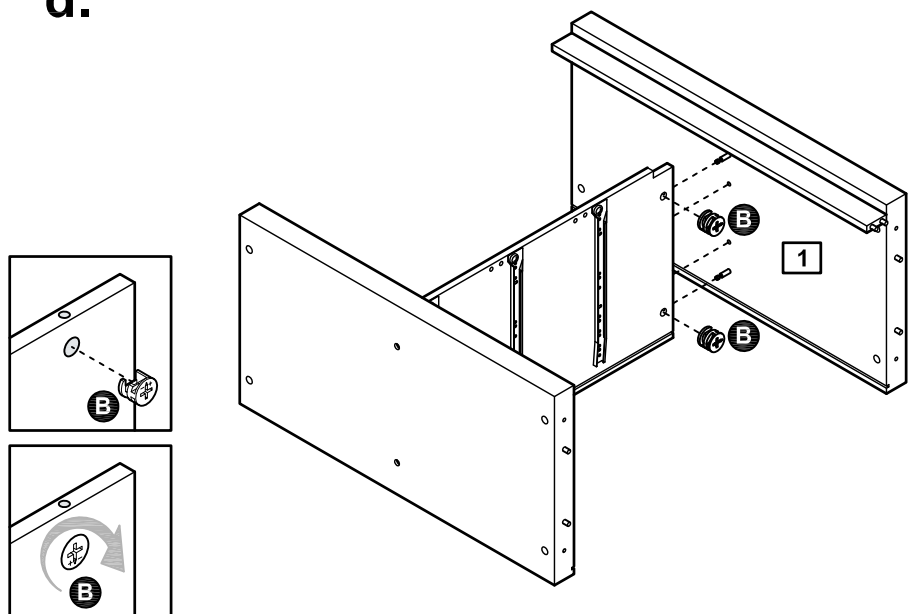
**c:**



**d:** Attach top panel **1** onto the unit.

Insert locking nuts **B** into the unit, then use a screwdriver to turn locking nuts **B** clockwise to lock.

**d:**

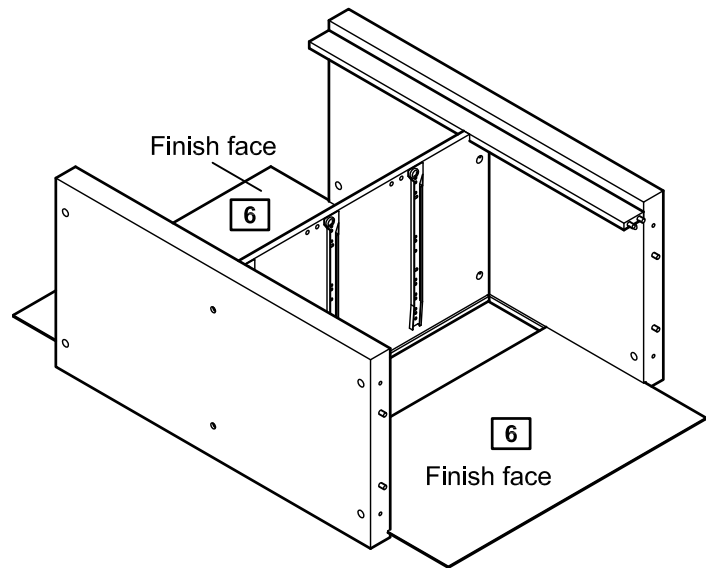


# Assembly Instructions

## Step 3

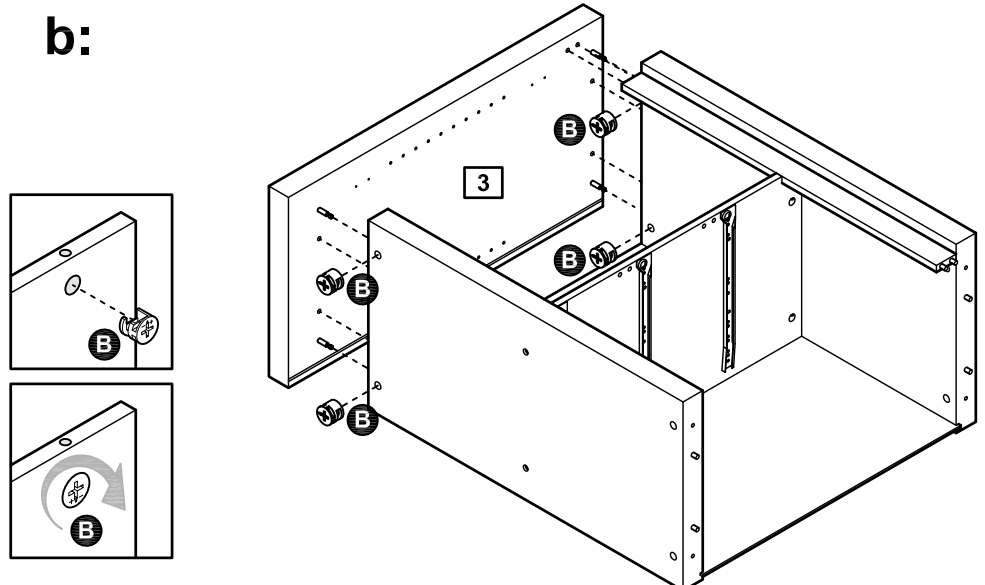
### Fitting side panel

**a:** Slide back panels **6** into the unit.



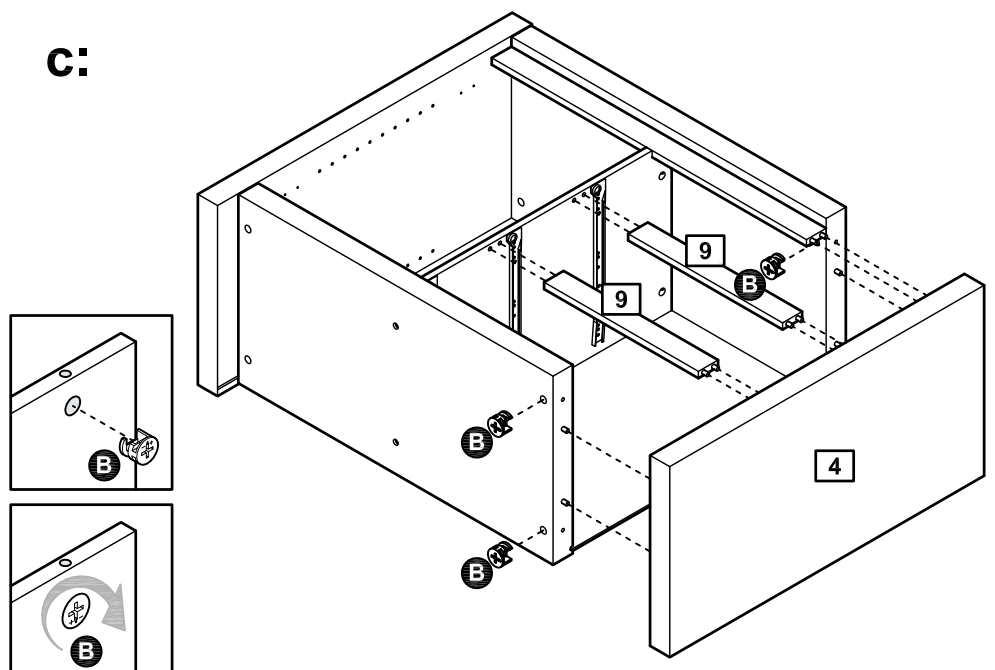
**b:** Attach left side panel **3** onto the unit.

Insert locking nuts **B** into the unit, then use a screwdriver to turn locking nuts **B** clockwise to lock.



**c:** Attach right side panel **4** and right rails **9** onto the unit.

Insert locking nuts **B** into the unit, then use a screwdriver to turn locking nuts **B** clockwise to lock.



# Assembly Instructions

## Step 4

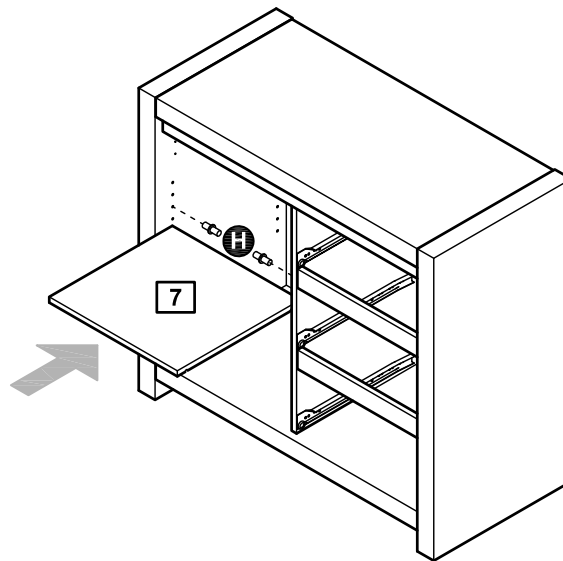
### Fitting shelf

**a:** Place shelf supports **H** into the unit.

**NOTE:** Adjust the shelf supports to the desired height.

Slide shelf **7** into the unit.

**a:**



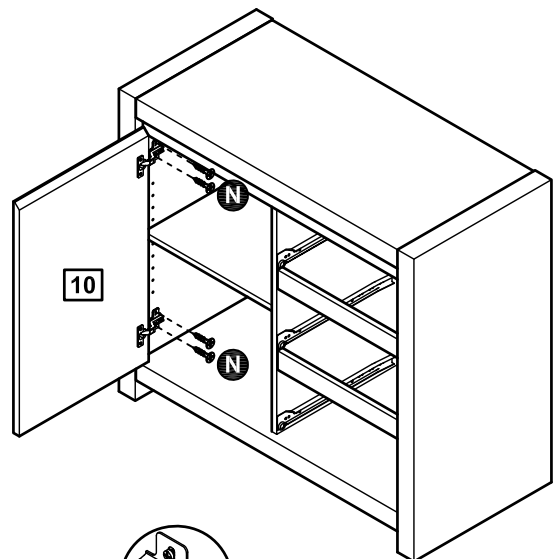
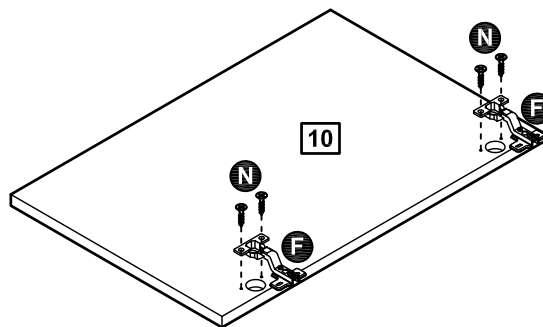
## Step 5

### Fitting the door

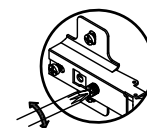
**a:** Use screws **N** to fix hinges **F** onto door **10**.

Attach door **10** to the assembled unit with screws **N** using a screwdriver to tighten.

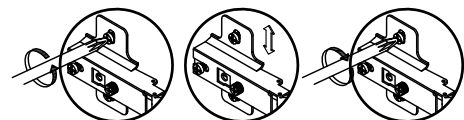
**a:**



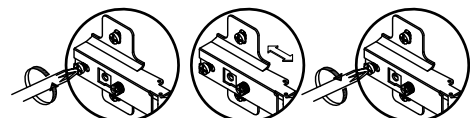
LATERAL



VERTICAL



FRONT-TO-BACK



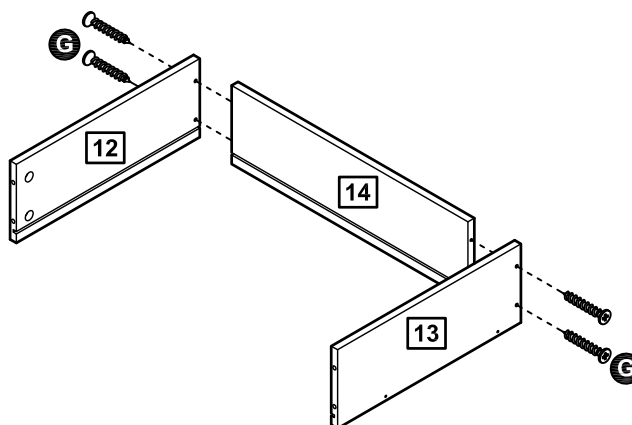


# Assembly Instructions

## Step 6

### Fitting the drawer

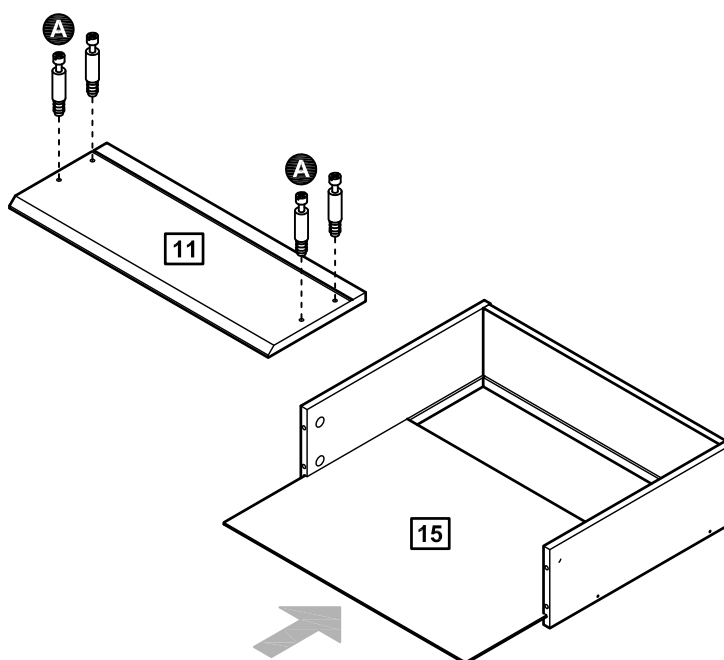
**a:** Use screws **G** to fix drawer side **12** and **13** onto drawer back **14**.



**b:** Screw locking pins **A** into drawer front **11**. Insert locking pins as far as shown.

Slide drawer bottom **15** into the unit.

**b:**

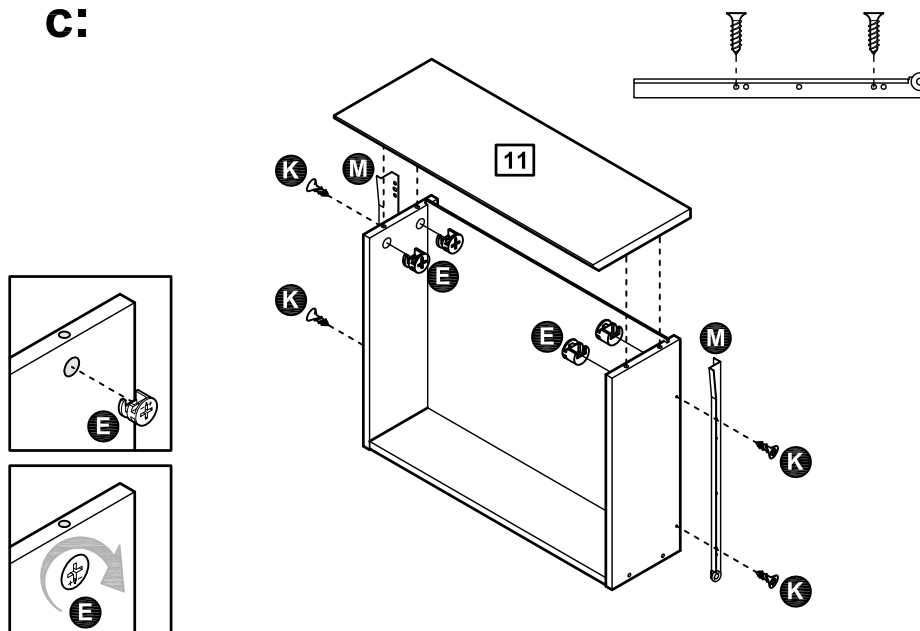


**c:** Attach drawer front **11** onto the unit.

Insert locking nuts **E** into the unit, then use a screwdriver to turn locking nuts **E** clockwise to lock.

Use screws **K** to fix drawer runners **M** onto the unit.

**c:**

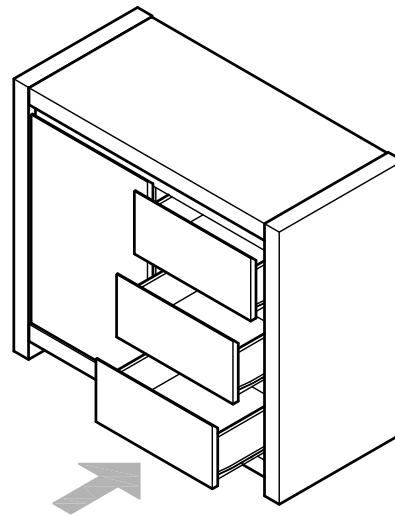


# Assembly Instructions

## Step 7

### Finish the unit

**a:** Slide the drawers into the unit.



**b:** Insert plastic fasteners **L** into the back panel grooves and secure with screws **J**, tighten with a screwdriver.

Use screws **P** to fix wall straps **O** to the back of top panel.

Secure the other ends of strap to the wall using appropriate screws, washers and wall plugs for your wall type.

### WARNING:

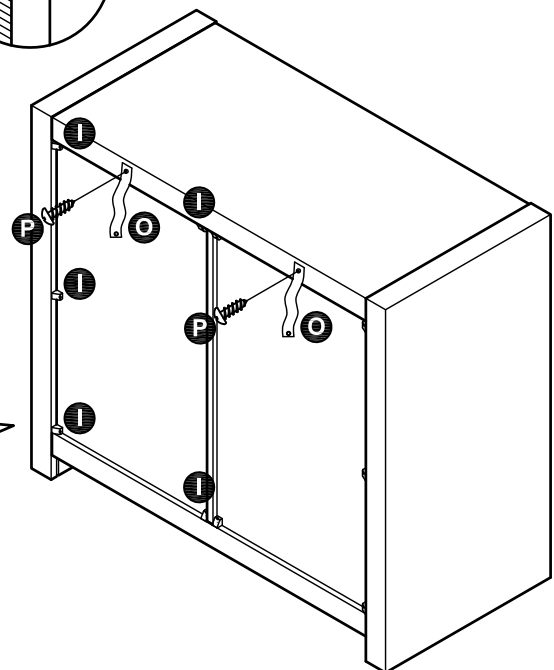
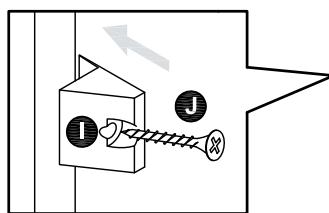
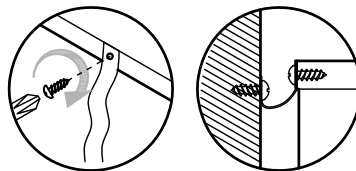
Ensure the area to be drilled is free from hidden electrical wires and water or gas pipes.

### NOTE:

Wall fixings are not included. Please source suitable wall fixings for your wall type, if in doubt consult a qualified tradesperson.

**Assembly is complete.**

**b:**



If you need help or have damaged or missing parts, call the **Customer Helpline: 03456 400800**

# A Guide to - Wall Mounting & Fixings

## Important note:

If plastic wall plugs are supplied with your product:



- these are only suitable for use in masonry walls.

If you are in any doubt about the correct wall plugs for your wall, seek professional advice.

Failure of the product due to using incorrect fixings is the responsibility of the installer.



**Important:** When drilling into walls always check that there are no hidden wires or pipes etc.

Make sure that the screws and wall plugs being used are suitable for supporting your unit. Consult a qualified tradesperson if you are unsure.

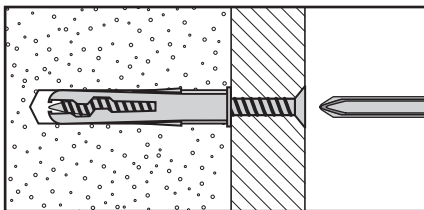
## Hints:

- 1: **General rule:** ⚠ Always use a larger screw and wall plug if you are not sure.
- 2: Ensure you use the recommended drill bit to match the wall plug and hole size.
- 3: Ensure you drill the hole horizontally, do not force the drill or enlarge the hole.
- 4: Take extra care when drilling high walls, ceilings and ceramic tiles. Ensure wall plugs are inserted beyond the thickness of the ceramic tiles to avoid the tiles splitting or cracking.
- 5: Ensure wall plugs are well fitted and are a tight fit in the drilled hole.

## Types of walls

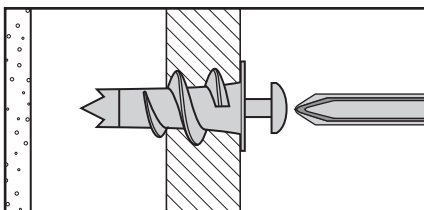
You can use one of the following types of wall plug if your walls are made of brick, breeze block, concrete, stone or wood.

### No.1 "General Purpose" wall plug



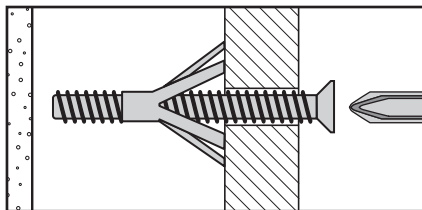
Generally aerated blocks should not be used to support heavy loads, use a specialist fitting in this case. For light loads, general purpose wall plugs can be used.

### No.2 "Plasterboard" wall plug



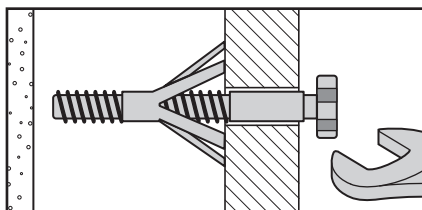
For use when attaching light loads on to plasterboard partitions.

### No.3 "Cavity Fixing" wall plug



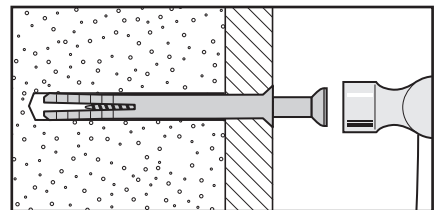
For use with plasterboard partitions or hollow wooden doors.

### No.4 "Cavity Fixing-Heavy Duty" wall plug



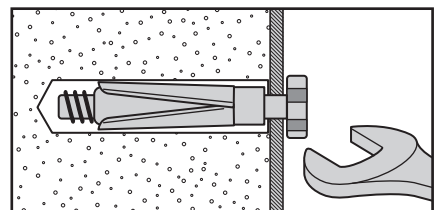
For use when fitting or supporting heavy loads such as shelving, wall cabinets and coat racks.

### No.5 "Hammer Fixing" wall plug



For use with walls stuck with plasterboard. The hammer fixing allows it to be fixed to the wall rather than the plasterboard. Always check the fixing is secure to the retaining wall.

### No.6 "Shield Anchor" wall plug Heavy loads



For use with heavier loads such as TV & HiFi speakers and satellite dishes etc.



## Care & Maintenance

**Safety:** Always check the fitting and location to ensure your safety in and around the home.

**Fitting:** From time to time check the fitting to ensure the wall plugs or screws do not become loose.