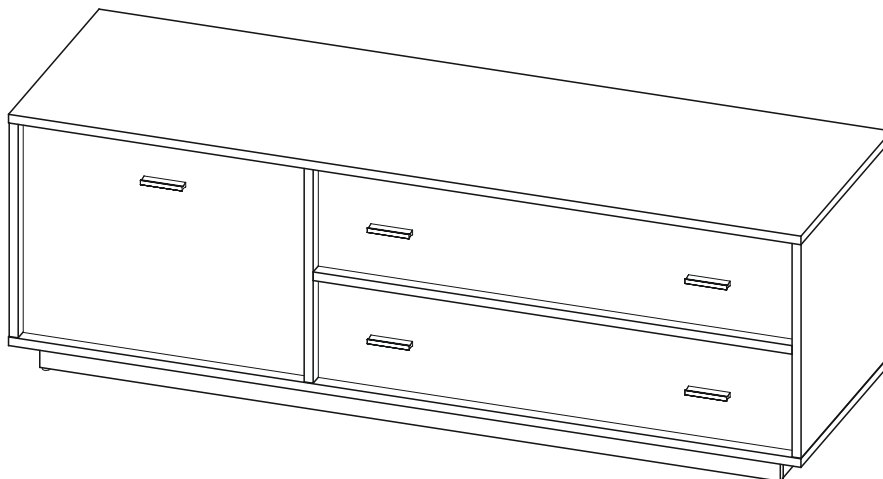


Darcy - TV Stand

Assembly Instructions - Please keep for future reference

392/5591



Dimensions

Width - 159.3 cm

Depth - 50 cm

Height - 53.7 cm

Important - Please read these instructions fully before starting assembly

If you need help or have damaged or missing parts, call the **Customer Helpline: 0845 6400 800**



Safety and Care Advice

Important - Please read these instructions fully before starting assembly

- Check you have all the components and tools listed on pages 3 and 4.

- Remove all fittings from the plastic bags and separate them into their groups.

- Keep children and animals away from the work area, small parts could choke if swallowed.

- Make sure you have enough space to layout the parts before starting.

- Do not stand or put weight on the panels during assembly, this could cause damage.

- Assemble the unit as close to its final position (in the same room) as possible.

- Assemble on a soft level surface to avoid damaging the unit or your floor.

- Parts of the assembly will be easier with 2 people.

- If using power tools, please follow the safety instructions supplied with the tools.



- We do not recommend the use of power drill/ drivers for inserting screws, as this could damage the unit. Only use hand screwdrivers.

- Dispose of all packaging carefully and responsibly.

- **Warning:** The unit weighs approximately 48 kgs. **Please lift with care.**

Care and maintenance

- Only clean using a damp cloth and mild detergent, do not use bleach or abrasive cleaners.

- From time to time check that there are no loose screws on this unit.

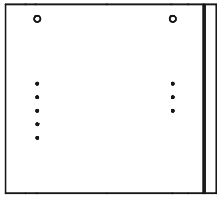
- This product should not be discarded with household waste. Take to your local authority waste disposal centre.

Note: if required the next page can be cut out and used as reference throughout the assembly. Keep this page with these instructions for future reference.

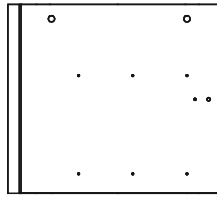
Component - Panels

If you have damaged or missing components
call the **Customer Helpline: 0845 6400 800**

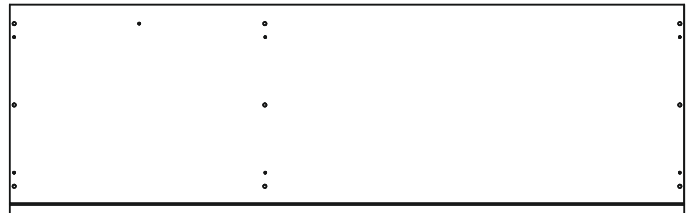
Please check you have all the panels listed below



1 Left side
(44.6 x 49.8cm)



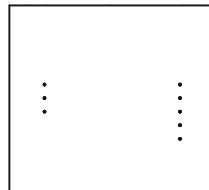
2 Right side
(44.6 x 49.8cm)



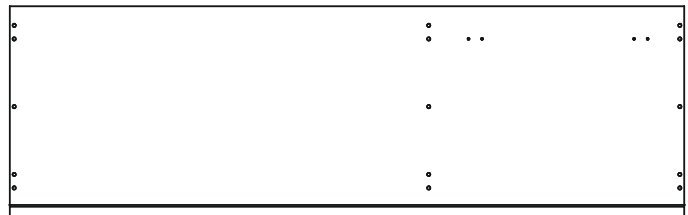
3 Top
(159.3 x 50.0cm)



5 Shelf
(57.5 x 42.8cm)



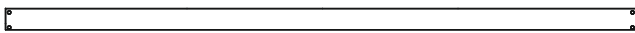
6 Vertical
partition
(44.6 x 46.7cm)



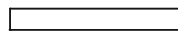
4 Bottom
(159.3 x 50cm)



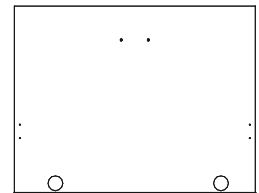
8 Front support
(96.3 x 8cm)



9 Long plinth x 2
(148.9 x 5cm)



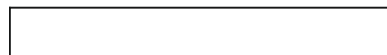
10 Short plinth x 2
(40.7 x 5cm)



11 Flap
(59.6 x 44cm)



12 Drawer front x 2
(95.7 x 20.6cm)



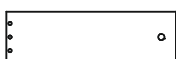
13 Drawer back x 2
(90.7 x 12cm)



14 Drawer left side x 2
(40 x 12cm)



16 Drawer base x 2
(93.8 x 40,5cm)



15 Drawer right side x 2
(40 x 12cm)

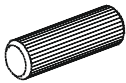
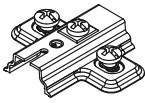
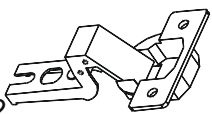







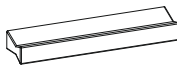
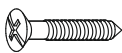
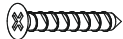
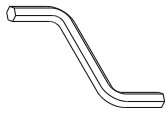


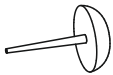
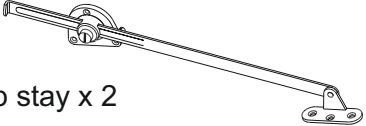
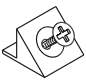

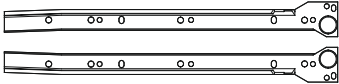
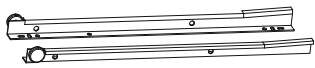
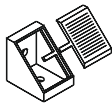
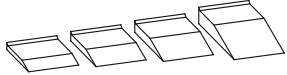
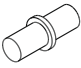


17 Rear (156.9 x 45.9cm)

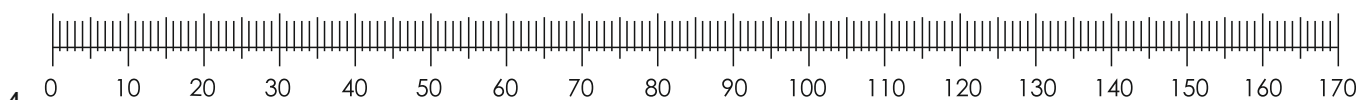


Components - Fittings

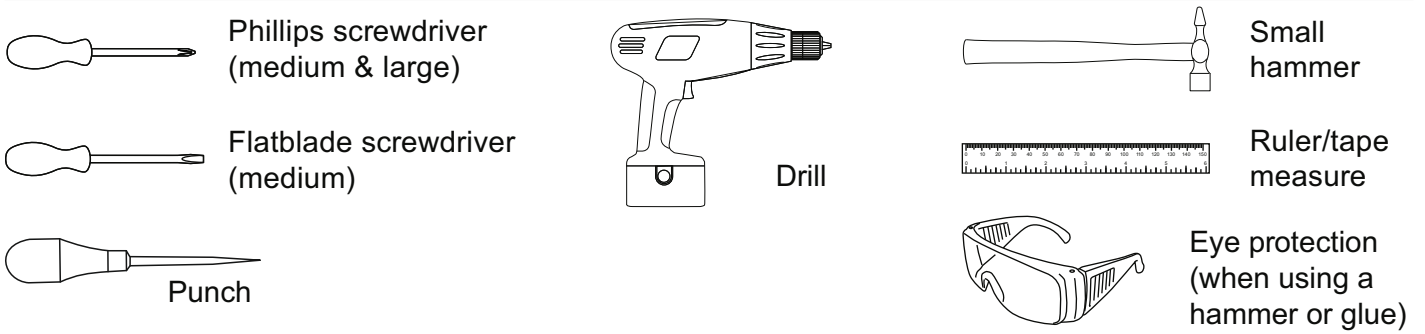
Please check you have all the fittings listed below

<p>A</p>  <p>Wooden dowel x 56 (8x35)</p>	<p>B</p>  <p>Hinge plate x 2</p>	<p>C</p>  <p>Door hinge x 2</p>
<p>D</p>  <p>4x13mm Screw x 4</p>	<p>E</p>  <p>5x13mm Screw x 12</p>	<p>F</p>  <p>(15x13) Locking nuts x 12</p>
<p>G</p>  <p>Cap x 12</p>	<p>H</p>  <p>Metal dowel x 12</p>	<p>I</p>  <p>(7x50) Hexagon bolt x 10</p>
<p>J</p>  <p>Cap x 10</p>	<p>K</p>  <p>Handle x 5</p>	<p>L</p>  <p>3.5x27mm Screw x 10</p>
<p>M</p>  <p>3x20mm Screw x 12</p>	<p>N</p>  <p>Allen key x 1</p>	<p>O</p>  <p>3x16mm Screw x 24</p>
<p>P</p>  <p>3,5x16mm Screw x 22</p>	<p>Q</p>  <p>Feet x 6</p>	<p>R</p>  <p>Flap stay x 2</p>
<p>S</p>  <p>Stabilizer x 12</p>	<p>T</p>  <p>Bumper x 2</p>	<p>U</p>  <p>Runner x 2</p>
<p>V</p>  <p>Runner x 2</p>	<p>W</p>  <p>Mounting bracket x 8</p>	<p>X</p>  <p>Height adjuster x 1</p>
<p>Y</p>  <p>Shelf support x 5</p>		

Ruler - Use this ruler to help correctly identify the screws



Tools required



Assembly instructions

Step 1

a: Inserting dowels and locking nuts

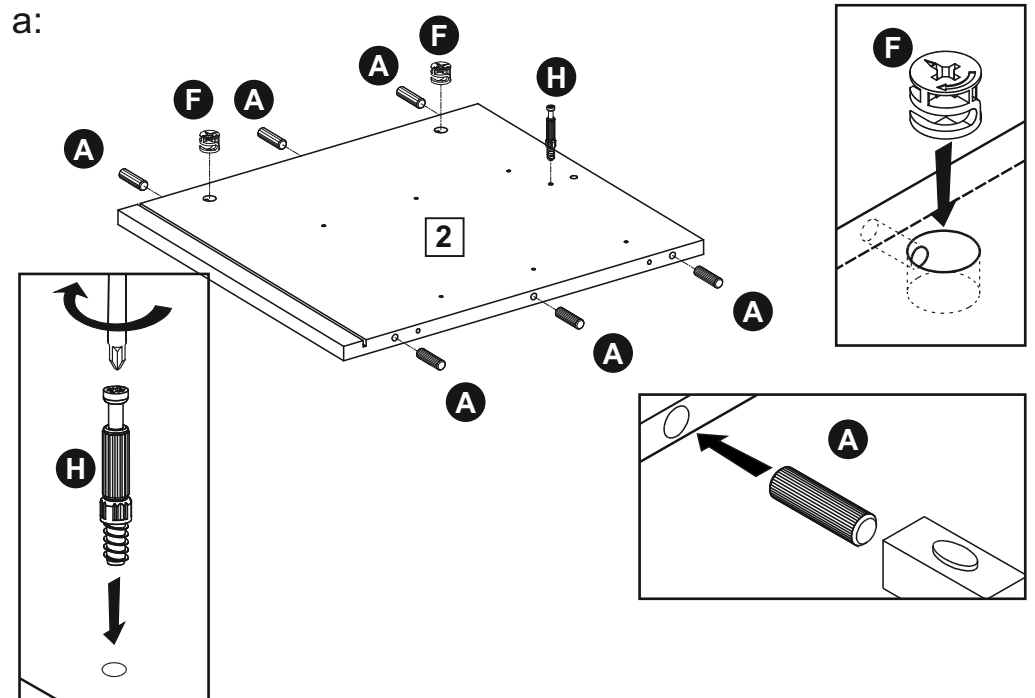
Insert locking nuts **F** into the right side panel **2**.

Insert wooden dowels **A** into the right side panel **2**.

Screw metal dowels **H**.



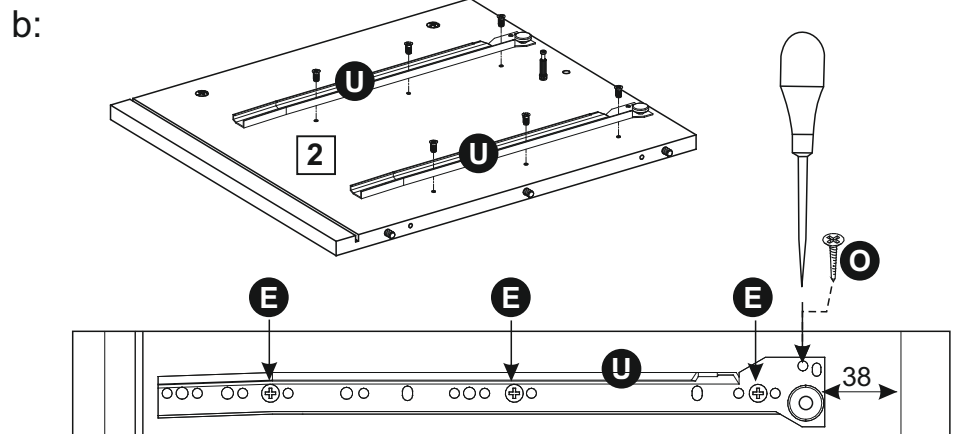
WARNING!
Please wear goggles or protective eyewear whilst hammering dowels in place.



b: Position runners **U**

Position runners 38mm from front edge of the left side panel **2**.

Fix runners with screws **E**. Mark the top right with a punch. Screw **O** into the hole.



Assembly Instructions

Step 2

a: Inserting dowels and locking nuts

Insert locking nuts **F** into the vertical partition **6**.

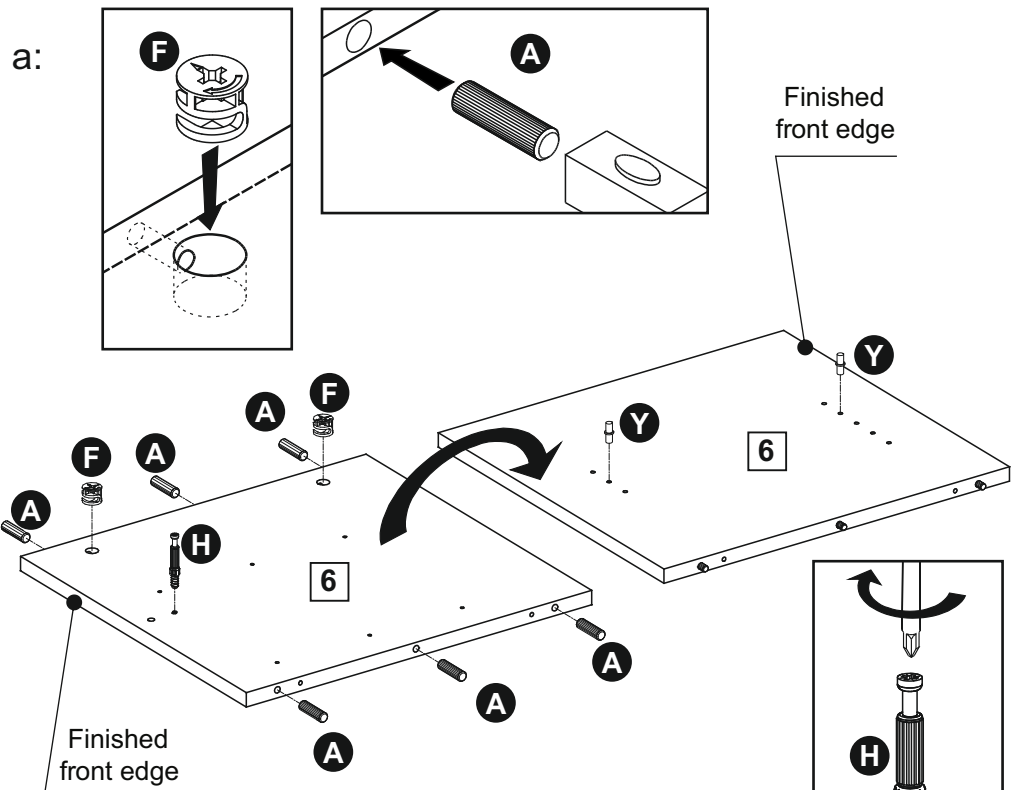
Insert wooden dowels **A** into the vertical partition **6**.

Screw metal dowels **H**.

Rotate vertical partition.

Insert shelf support **Y** into the vertical partition.

WARNING!
Please wear goggles or protective eyewear whilst hammering dowels in place.

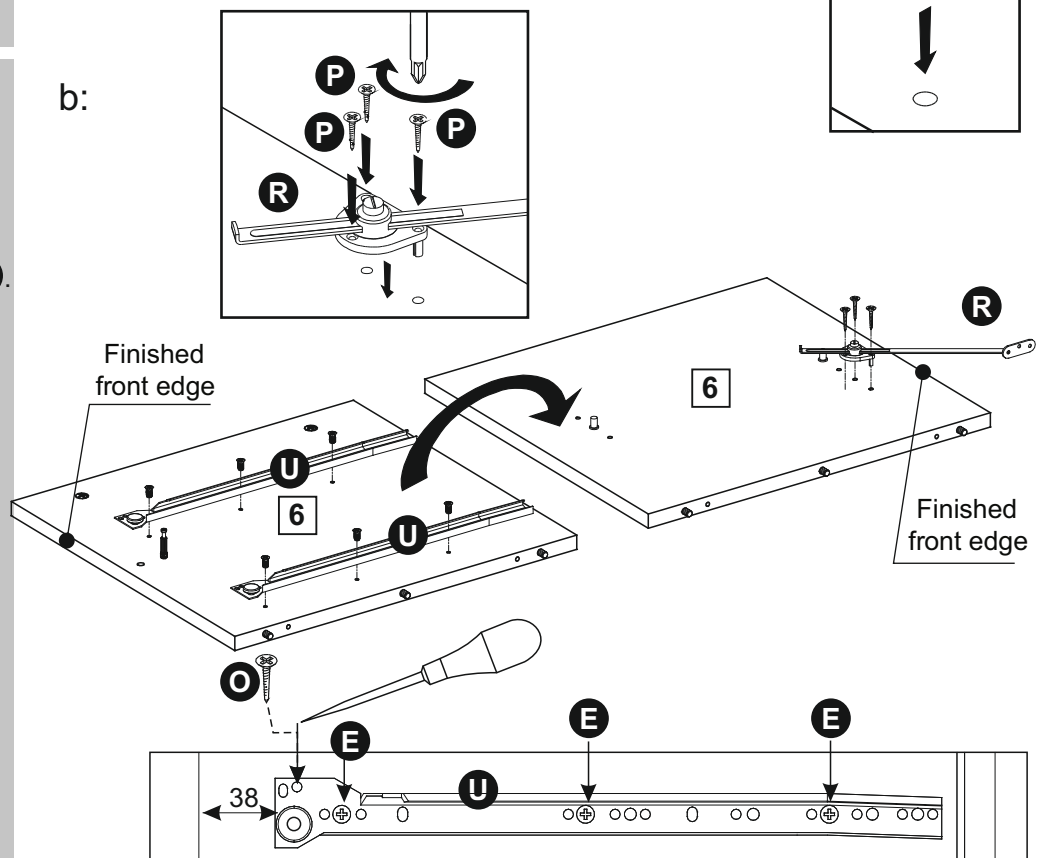


b: Position runners **U**

Position runners 40mm from front edge of the vertical partition **6**.

Fix runners with screws **E**. Mark the top right with a punch. Screw **O** into the hole.

Rotate vertical partition. Attach flap stay **R** using screws **P**.



Assembly Instructions

Step 3

a: Inserting dowels and locking nuts

Insert locking nuts **F** into the left side panel **1**.

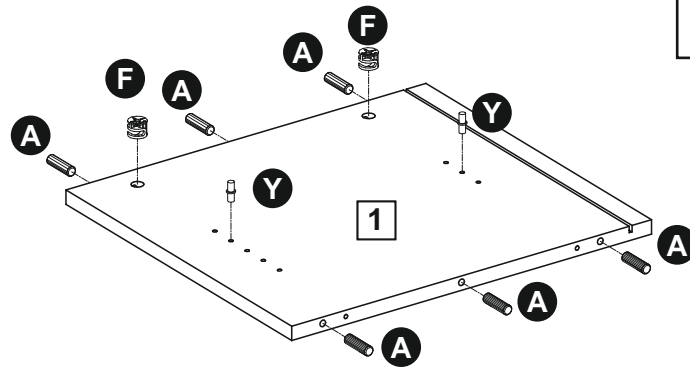
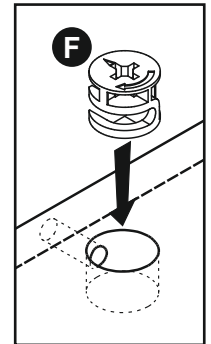
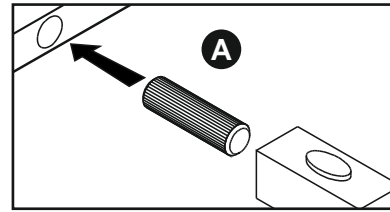
Insert wooden dowels **A** into the left side panel **1**.

Insert shelf support **Y** into the left side panel.



WARNING!
Please wear goggles or protective eyewear whilst hammering dowels in place.

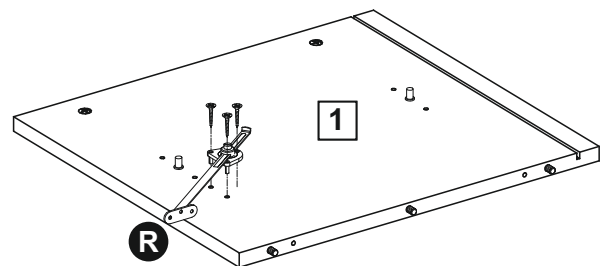
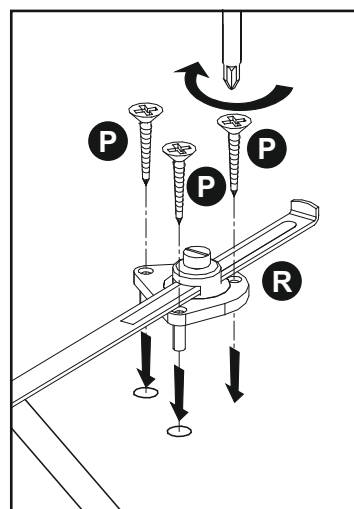
a:



b: Attach flap stay **R**

Attach flap stay **R** using screws **P**.

b:



Assembly Instructions

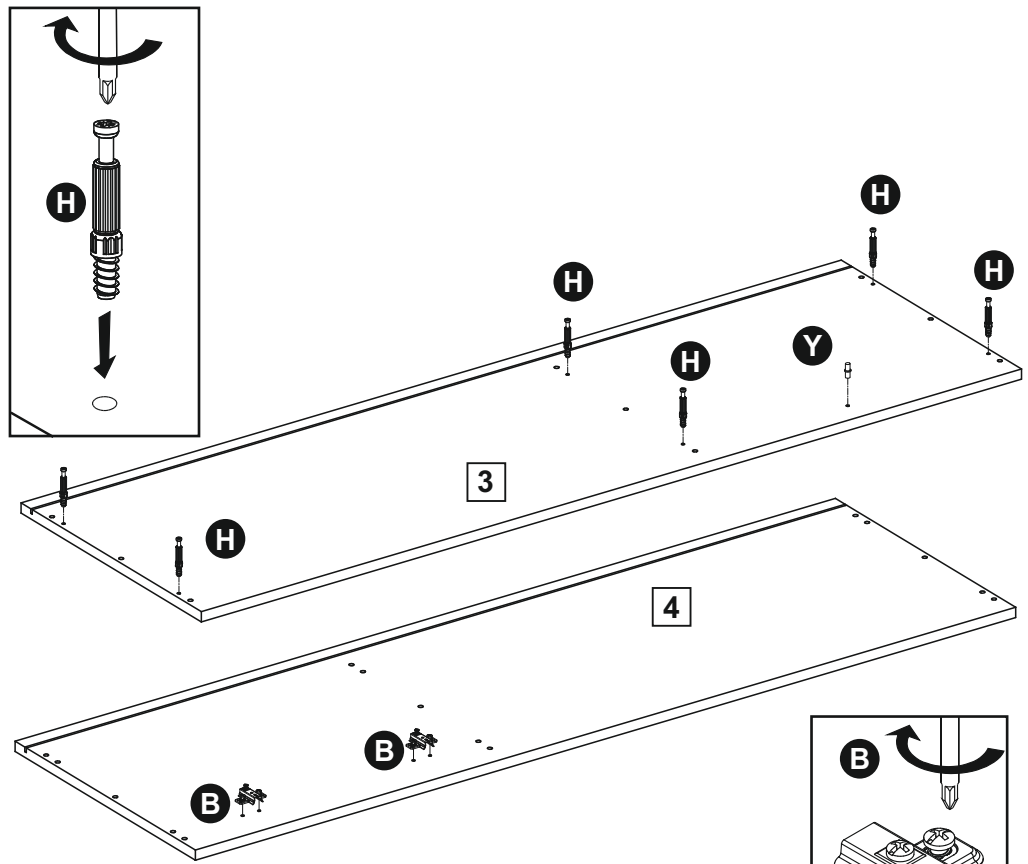
Step 4

a: Inserting dowels

Screw metal dowels **H** into the top **3**.

Insert shelf support **Y**

Attach "hinge plates" **B** into the bottom **4**.



Step 5

Insert locking nuts **F** into the front support **8**.

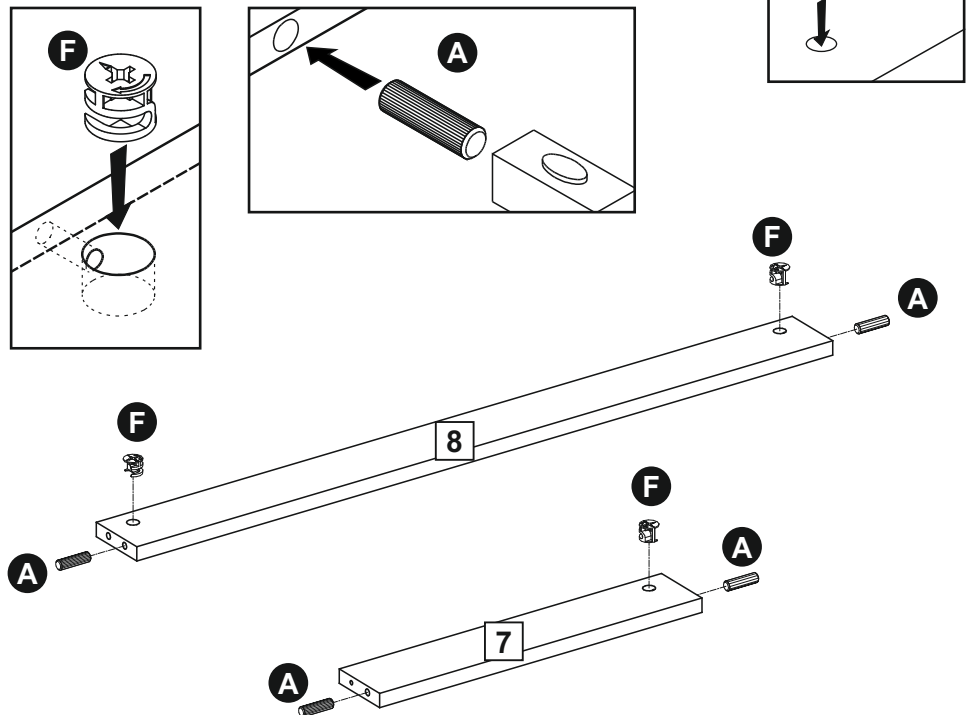
Repeat with back support **7**.

Insert wooden dowels **A** into the front support **8**.

Repeat with back support **7**.



WARNING!
Please wear goggles or protective eyewear whilst hammering dowels in place.

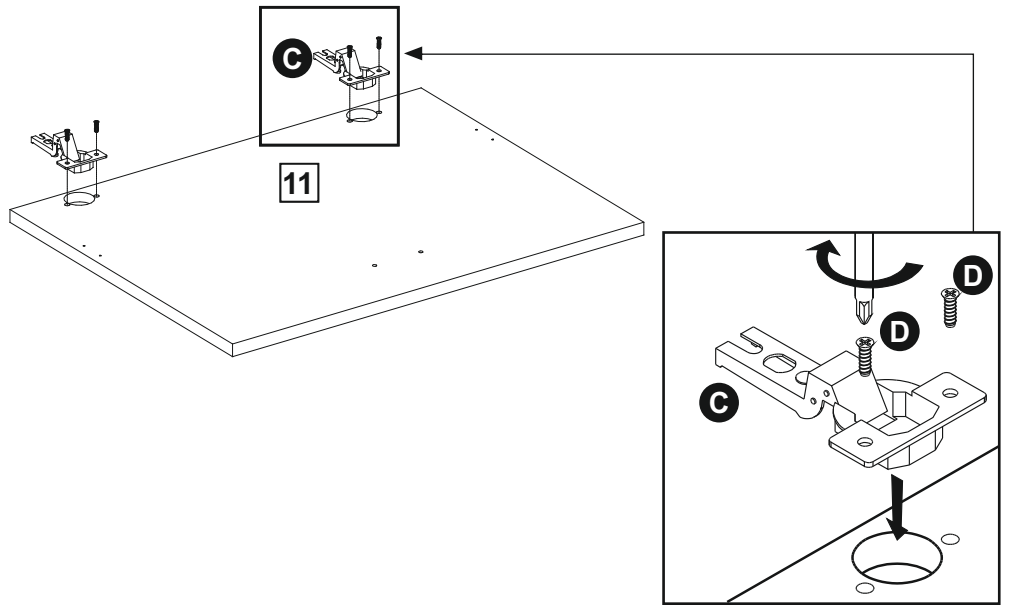


Assembly Instructions

Step 6

Fitting hinges to doors

Fix 2 hinges **C** to the flap **11** using screws **D**

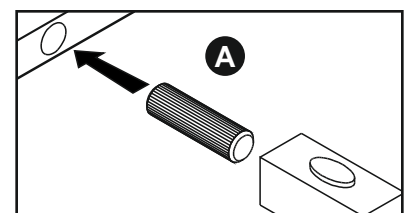
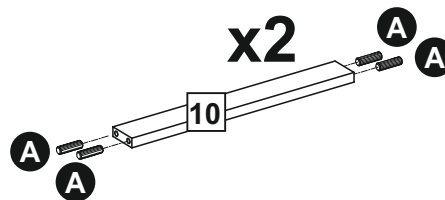
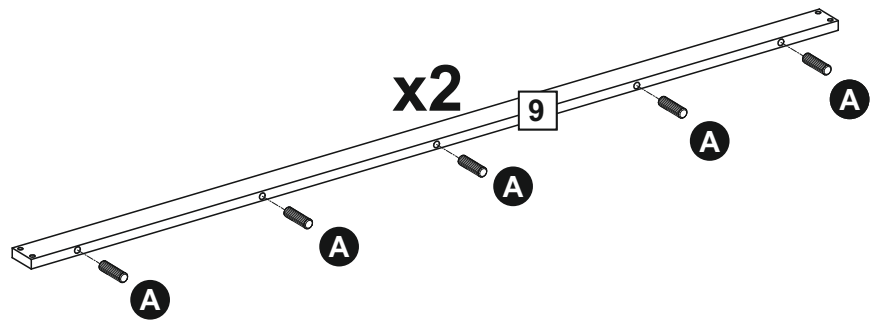


Step 7

Insert wooden dowels **A**

into the long plinth **9**

Repeat with short plinth **10**.



Assembly Instructions

Step 8

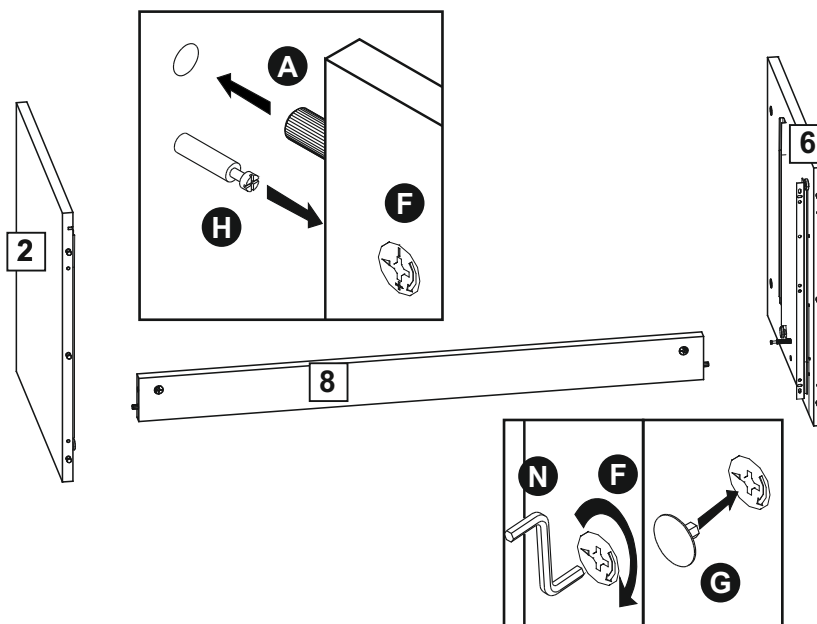
Attaching panels

Attach right side panel **2**
to the front support **8**.

Attach vertical partition **6**
to the front support **8**.

Use the allen key **N** to
turn locking nuts
clockwise to lock.

Cover locking nuts
with caps **G**.



Step 9

Attaching panels

Attach right side panel **2**

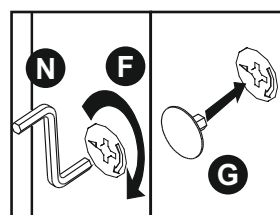
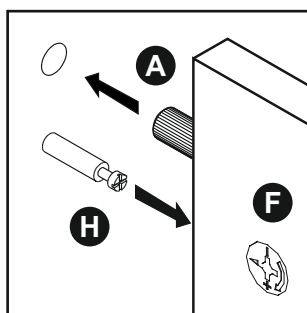
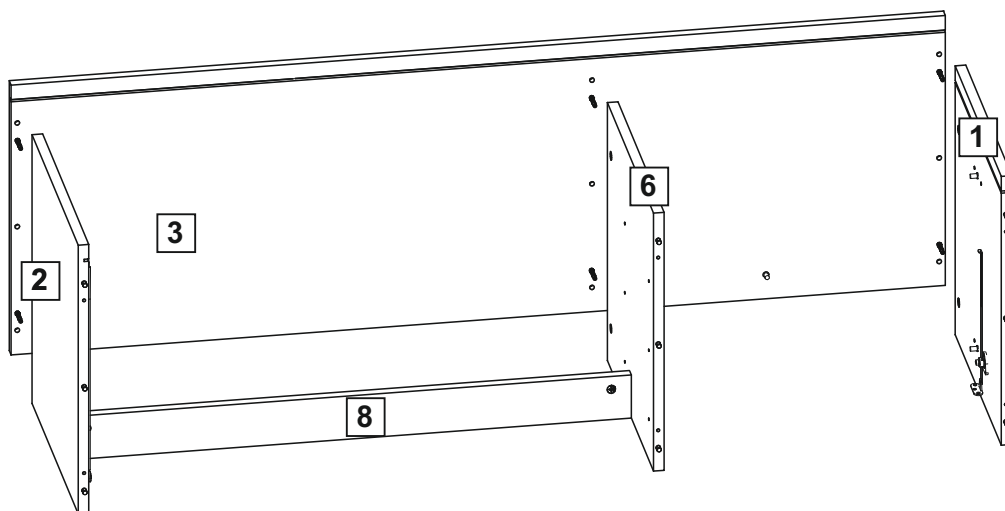
Attach vertical partition **6**

Attach left side panel **1**

to the top **3**.

Use the allen key **N** to
turn locking nuts
clockwise to lock.

Cover locking nuts
with caps **G**.

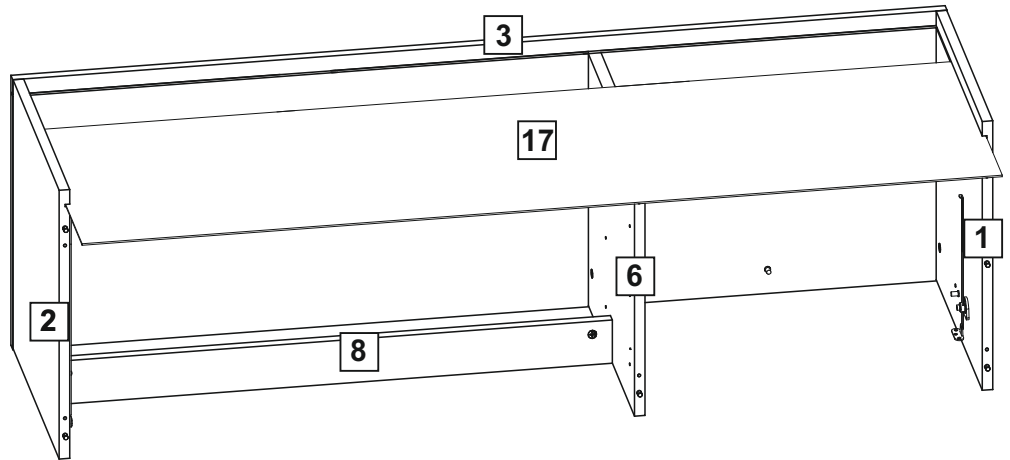


Assembly Instructions

Step 10

Attaching rear panel

Slide rear panel **17** into grooves of top **3**, side panels **1** and **2**.



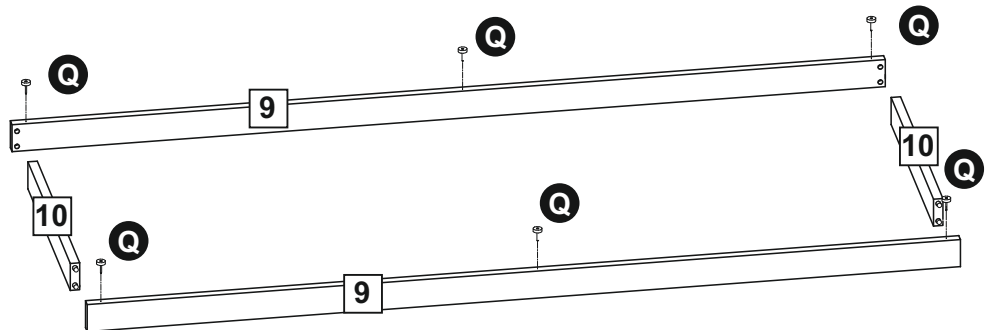
Step 11

a: Attaching plinth

Attach feet **Q** to the long plinth **9**.

Attach long plinth **9** to the short plinth **10**.

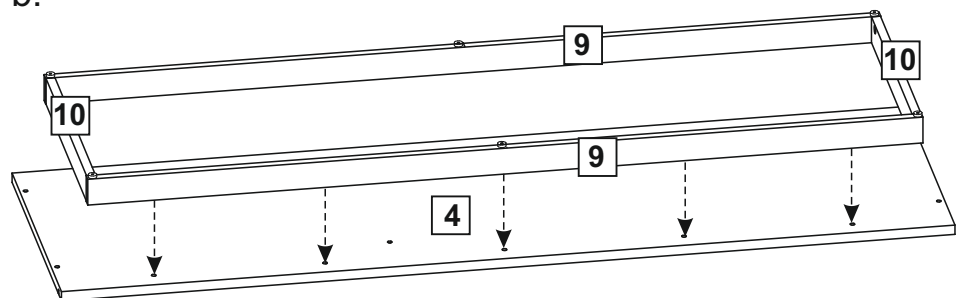
a:



b: Attaching plinth

Attach long plinth **9** & short plinth **10** to the bottom **4**.

b:



Assembly Instructions

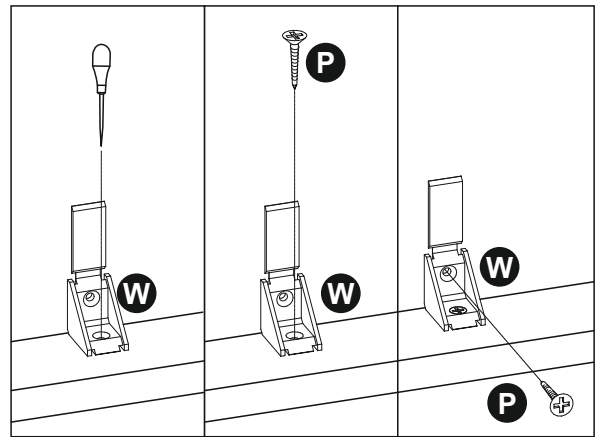
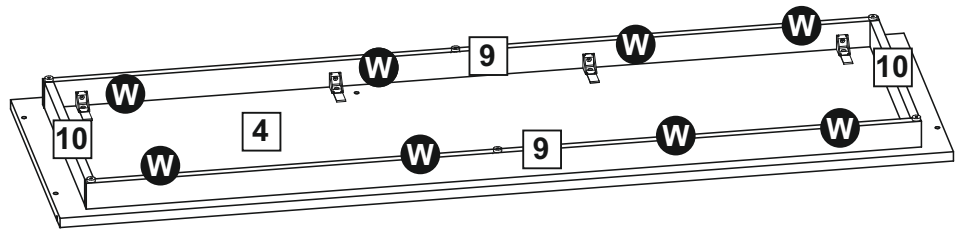
Step 12

Mounting bracket

Place mounting bracket **W** onto the assembly as shown. Mark holes with a punch and fix the bracket with screws **P**.



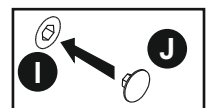
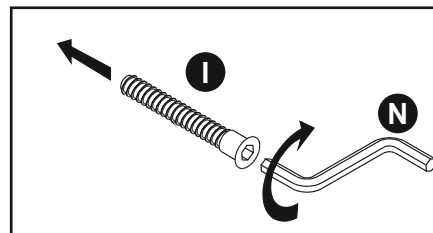
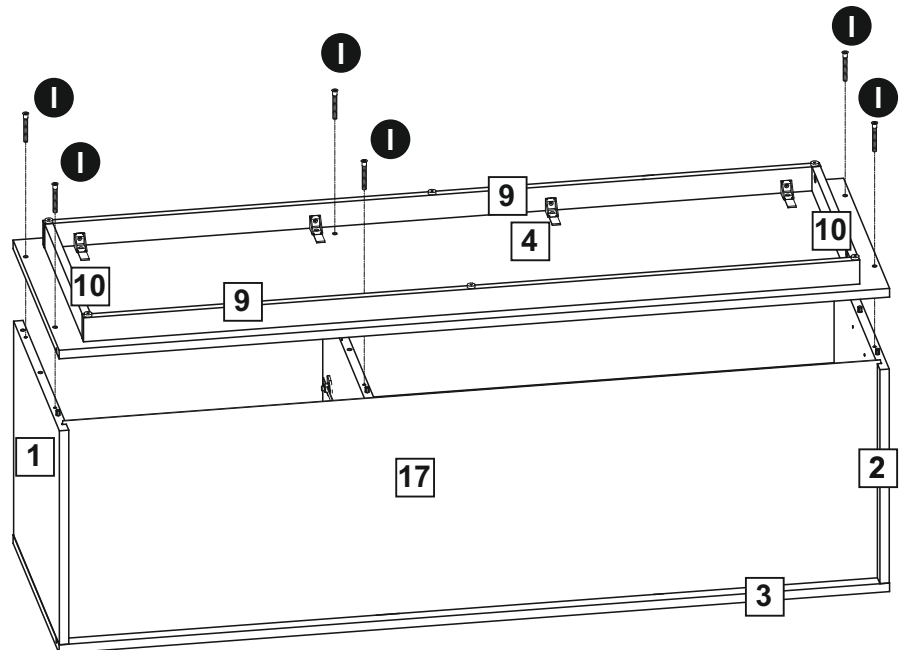
WARNING!
Please wear goggles or protective eyewear whilst hammering sliders in place.



Step 13

Attaching bottom

Attach bottom **4** to the sides & vertical partition **6** using hexagon bolt **I** & allen key **N**.
Cover with caps **J**.

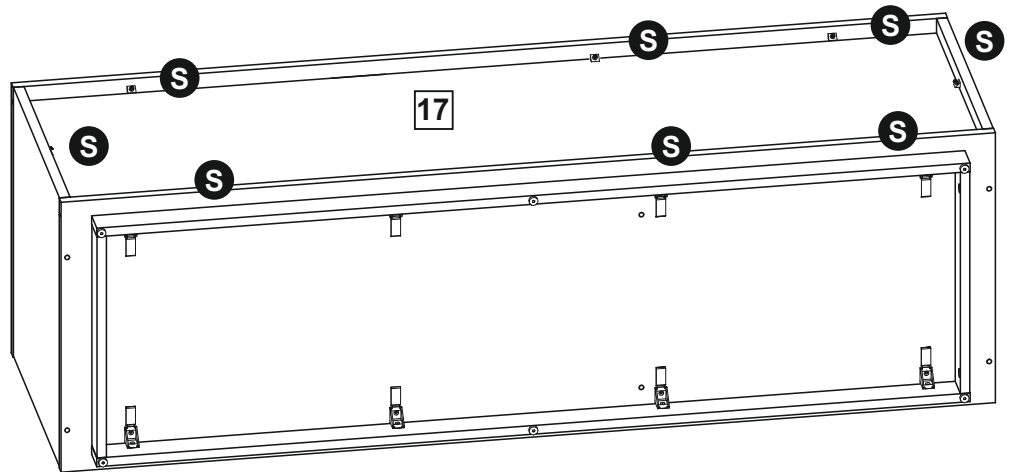
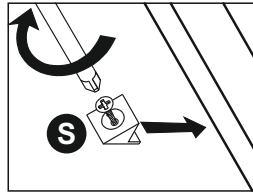


Assembly Instructions

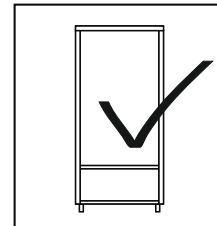
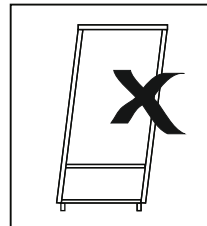
Step 14

Fixing rear panels

Fix rear panel to back of TV stand using stabilizer **S**.



IMPORTANT!
Cabinet **MUST**
be "square"
when rear panel
is attached.



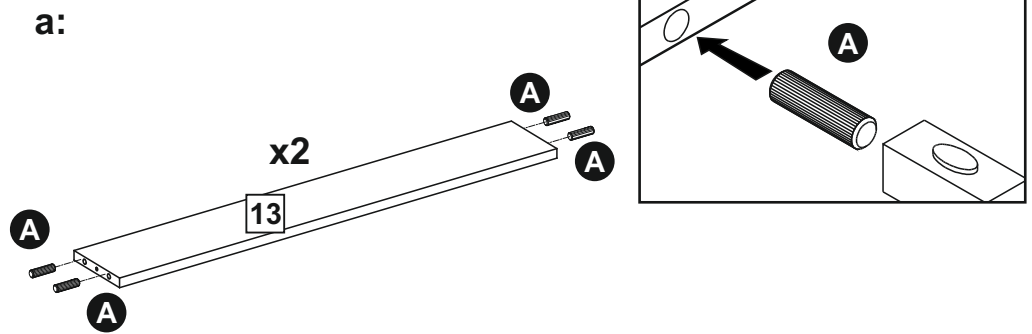
Assembly Instructions

Step 15

Drawer assembly

a: drawer back:

Insert wooden dowels **A** into the drawer back **13**.

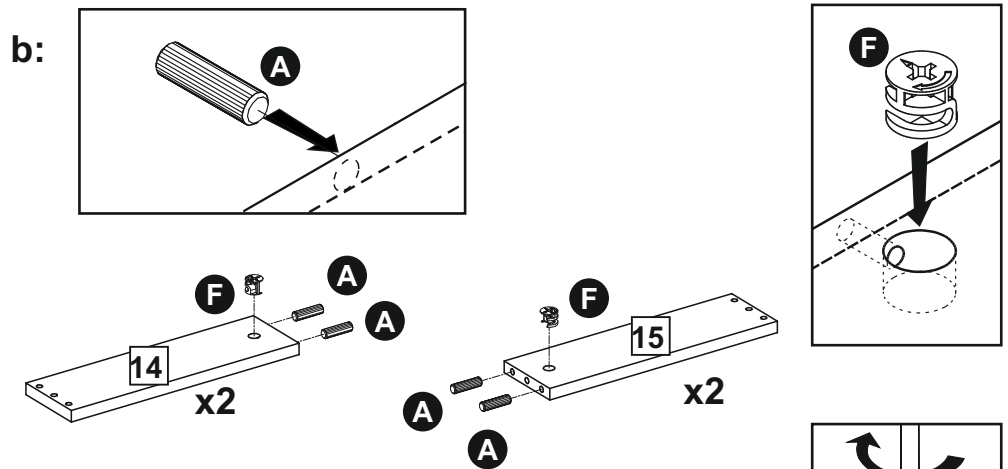


b: Insert locking nuts **F** into the drawer sides **14 & 15**.

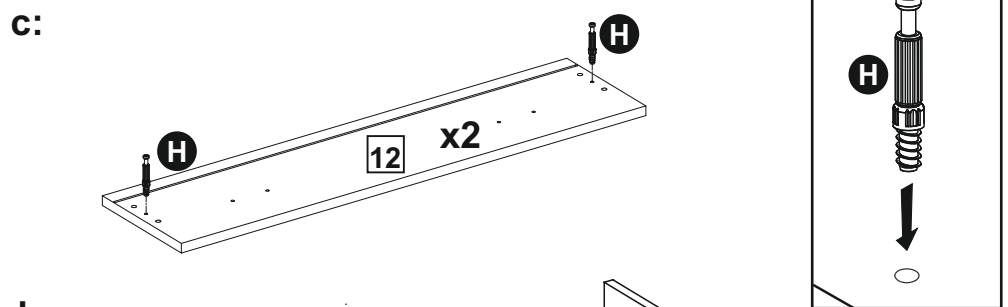
Insert wooden dowels **A** into the drawer sides.



WARNING!
Please wear goggles or protective eyewear whilst hammering dowels in place.

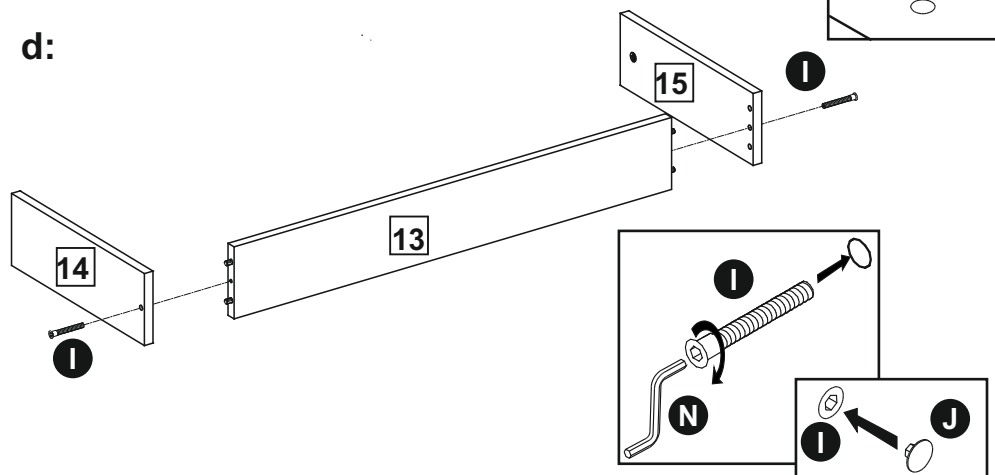


c: Screw metal dowels **H** into the drawer front **12**.



d: Fix drawer sides **14 & 15** to the drawer back **13** using hexagon bolt **I**.

Cover bolts with caps **J**.



Assembly Instructions

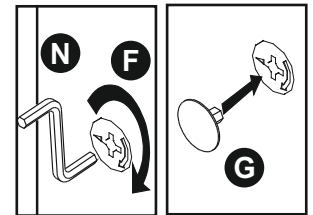
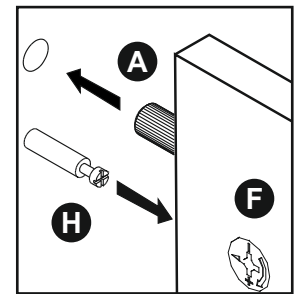
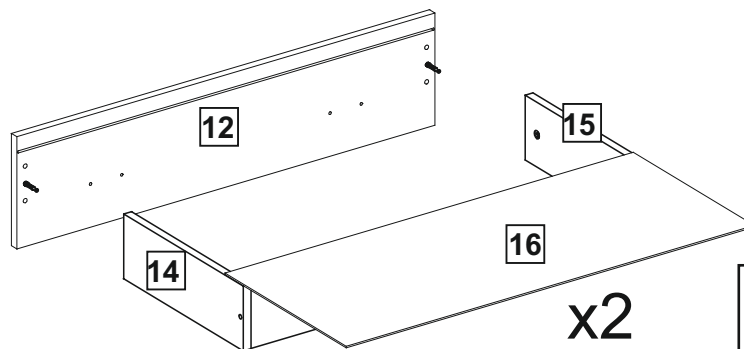
Step 16

Drawer assembly

a: Attach drawer front **12** to the drawer sides.

Use the allen key **N** to turn locking nuts **F** clockwise to lock. Cover locking nuts with caps **G**.

a:



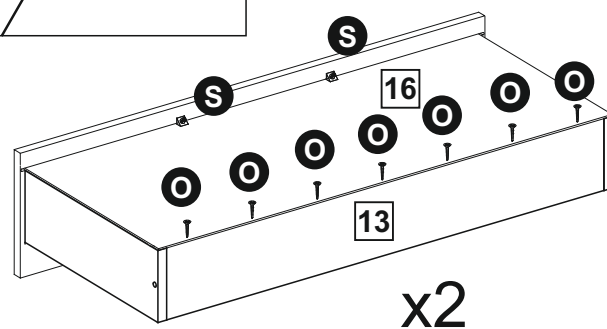
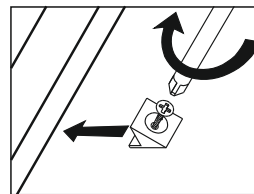
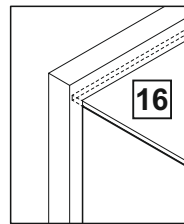
b: Attach drawer base **16** using screws **O** &

stabilizer **S**.



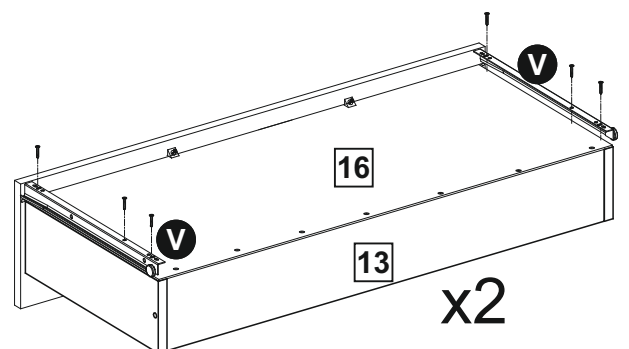
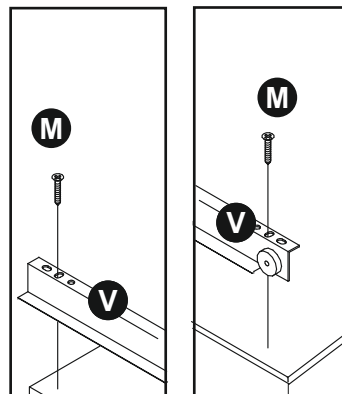
IMPORTANT!
Drawer **MUST** be "square" when base is attached.

b:



c: Attach runner **V** using screws **M**.

c:



Repeat step 15 & 16 for all drawers.

Assembly Instructions

Step 17

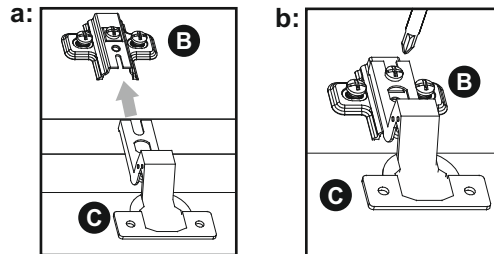
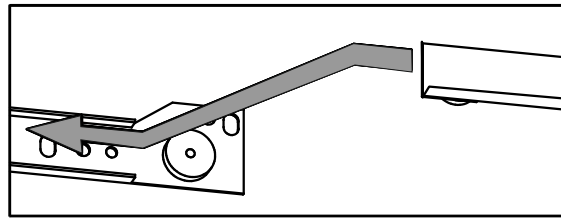
Hanging flap

Insert drawers to the cabinet.

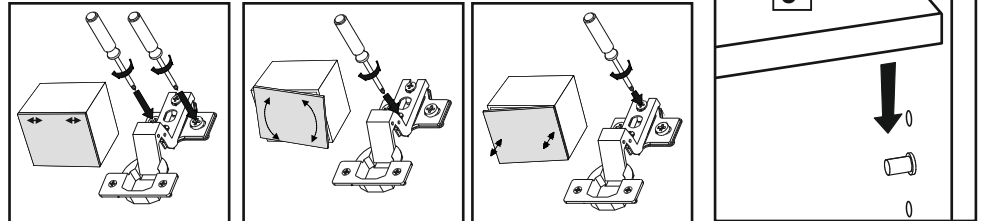
a: slot flap hinges **C** onto 'hinge plates'.

b: Tighten screw shown to lock hinges in position.

Adjust hinges so that gaps around the flap is even.



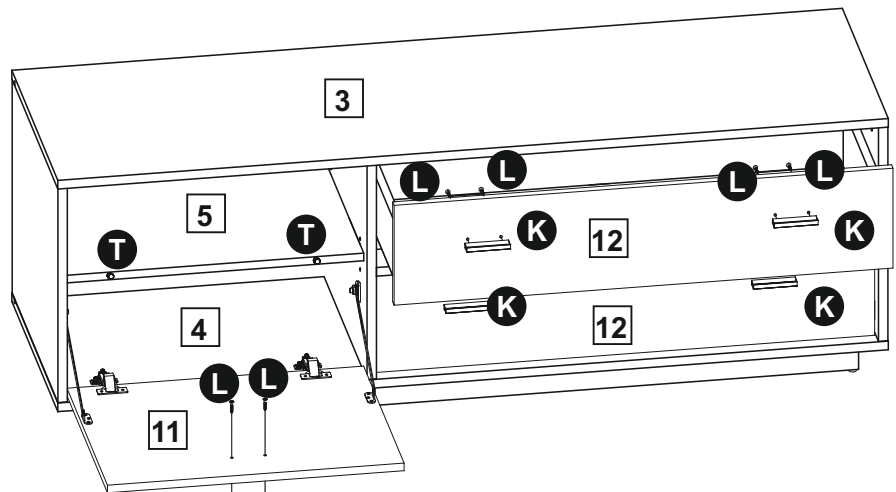
Hinge adjustment



Fix flap stay **R** to the flap using screws **O**.

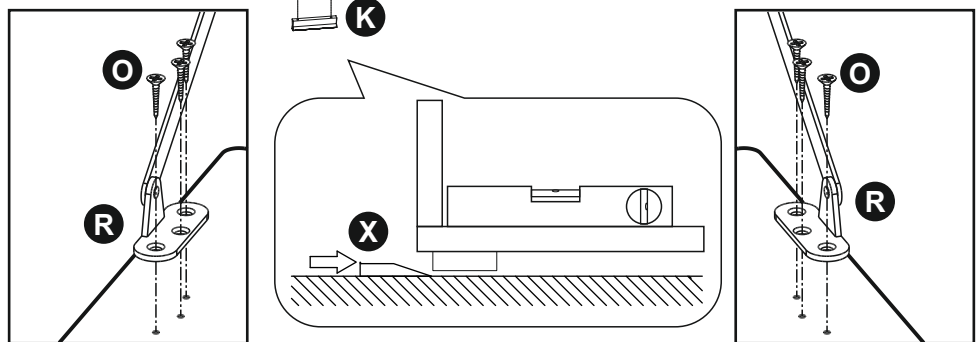
Insert Shelf **5**.

Attach bumper **T** onto the shelf **5**.



Place a spirit level on top **3**. Where necessary, insert height adjuster **X** to make top **3** level.

Attach door handles **K** using screws **L**.



Assembly is complete.

If you need help or have damaged or missing parts, call the **Customer Helpline: 0845 6400 800**