

Large Corner TV Unit

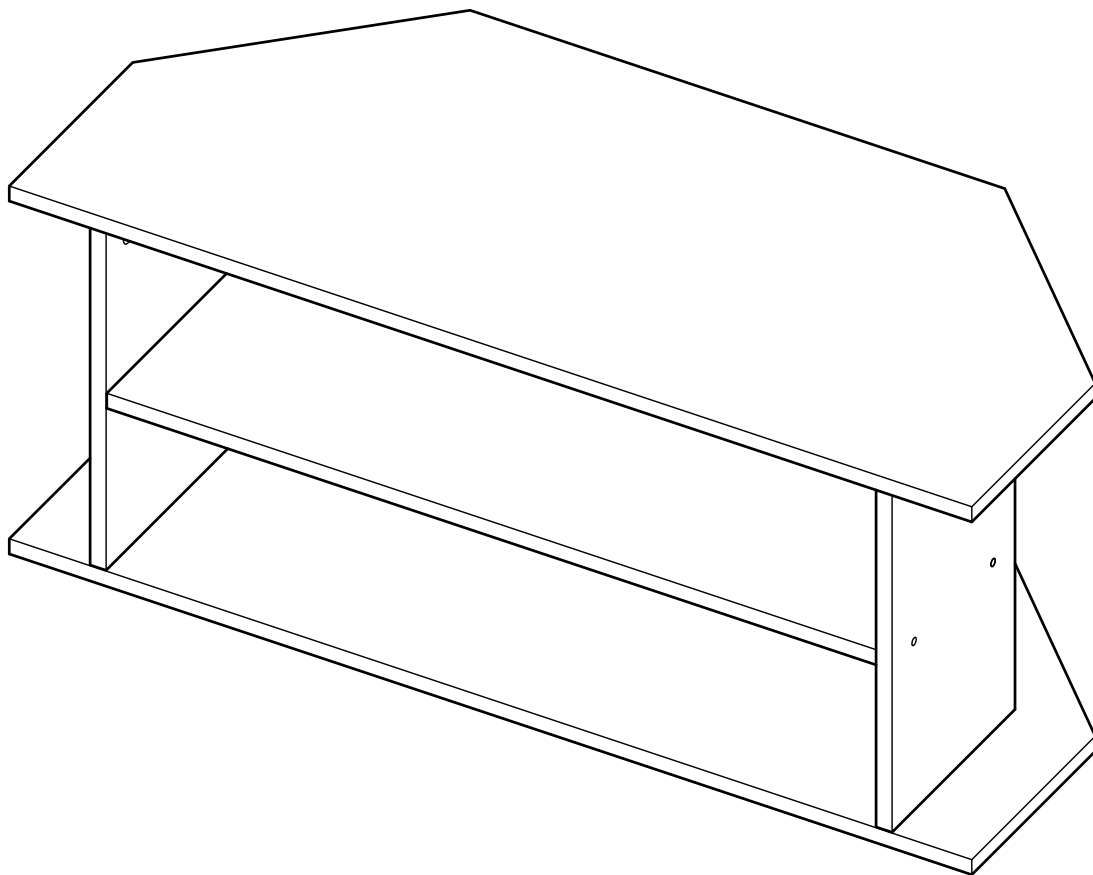
Assembly Instructions - Please keep for future reference

609/5394

609/5404

609/5411

392/3744



Dimensions

Width - 90cm
Depth - 40cm
Height - 38cm

Important - Please read these instructions fully before starting assembly

If you need help or have damaged or missing parts, call the **Customer Helpline: 0345 640 0800**



Safety and Care Advice

Important - Please read these instructions fully before starting assembly

- Check you have all the components and tools listed on page 2 and 3.
- Remove all fittings from the plastic bags and separate them into their groups.
- Keep children and animals away from the work area, if small parts are swallowed, it can cause choking.
- Make sure you have enough space to layout the parts before starting.

- Do not stand on the unit, this could cause damage.
- Assemble the unit as close to its final position (in the same room) as possible.
- Assemble on a soft level surface to avoid damaging the unit or your floor.
- Parts of the assembly will be easier with 2 people.
- Do not use this unit if any components are missing or damaged.



- We do not recommend the use of power drill/drivers **for inserting screws**, as this could damage the unit. Only use hand screwdrivers.
- Dispose of all packaging carefully and responsibly.

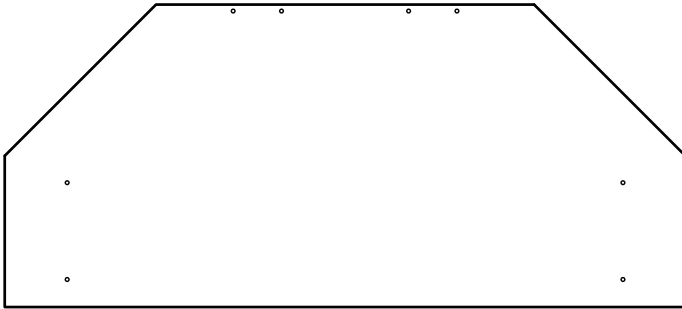
Care and maintenance

- Only clean using a damp cloth and mild detergent, do not use bleach or abrasive cleaners.
- From time to time check that there are no loose screws on this unit.
- This unit should not be discarded with household waste. Take to your local authority waste disposal centre.

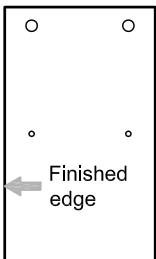
Note: If required the next page can be cut out and used as reference throughout the assembly. Keep this page with these instructions for future reference.

Components - Panels

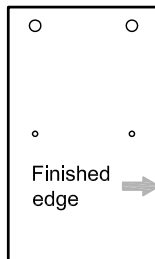
Please check you have all the panels listed below



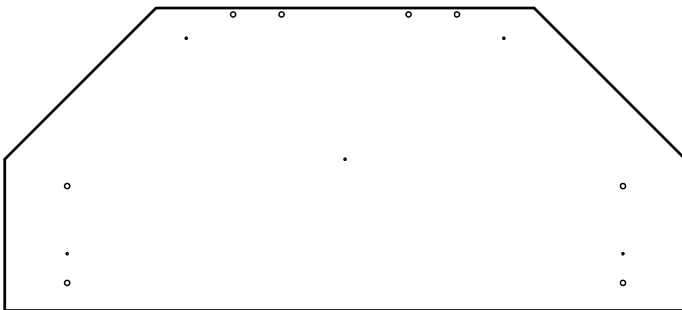
1 Top panel (90 x 40cm)



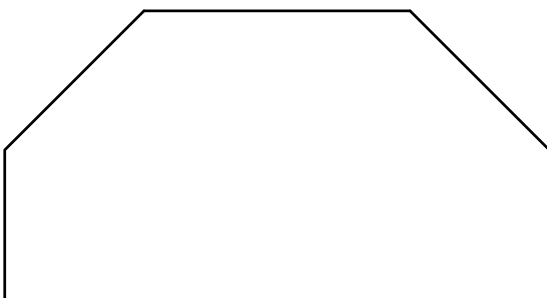
2 Left side panel (33.5 x 19.9cm)



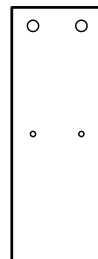
3 Right side panel (33.5 x 19.9cm)



4 Bottom panel (90 x 40cm)



5 Middle panel (72 x 38.2cm)



6 Back panel x 2 (33.5 x 12cm)





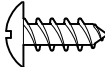



Components - Fittings

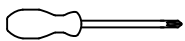
If you have damaged or missing components, call the **Customer Helpline: 0345 640 0800**

Please check you have all the fittings listed below

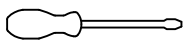
Note: The quantities below are the correct amount to complete the assembly. In some cases more fittings may be supplied than are required.

A  57mm Screw x 16	B  Plastic plug x 4	C  Locking pin x 8
D  Locking nut x 8	E  17mm Screw x 5	F  Feet x 5

Tools required

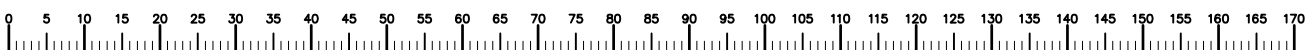


Phillips screwdriver
(medium & large)



Flatblade screwdriver
(medium)

Ruler - Use this ruler to help correctly identify the screws

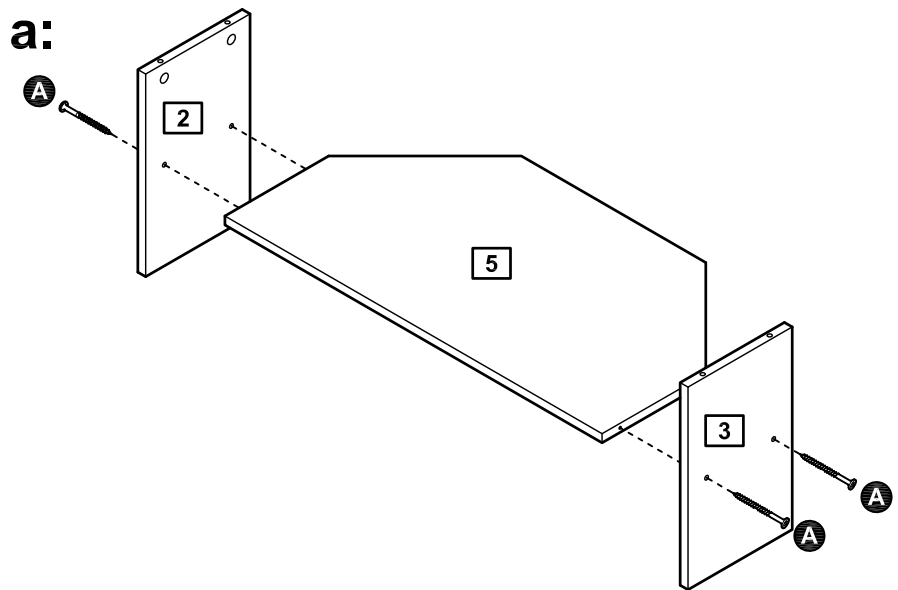


Assembly Instructions

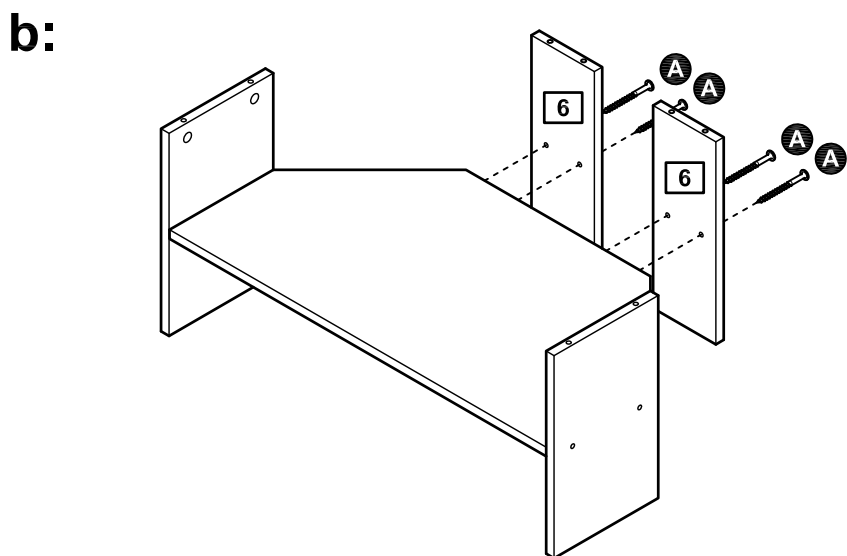
Step 1

Fitting the side panels

a: Use screws **A** to fix left side panel **2** and right side panel **3** onto middle panel **5**.



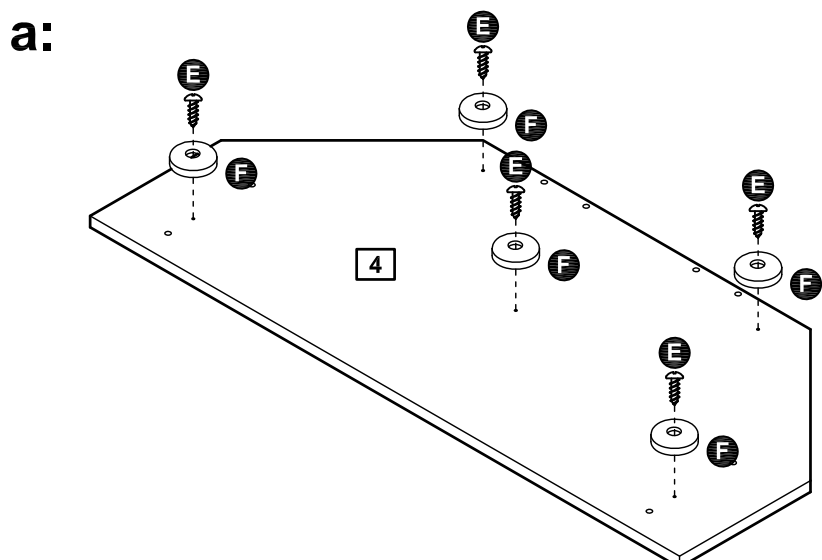
b: Use screws **A** to fix back panels **6** onto the unit.



Step 2

Fitting the bottom panel

a: Use screws **E** to fix feet **F** onto bottom panel **4**.

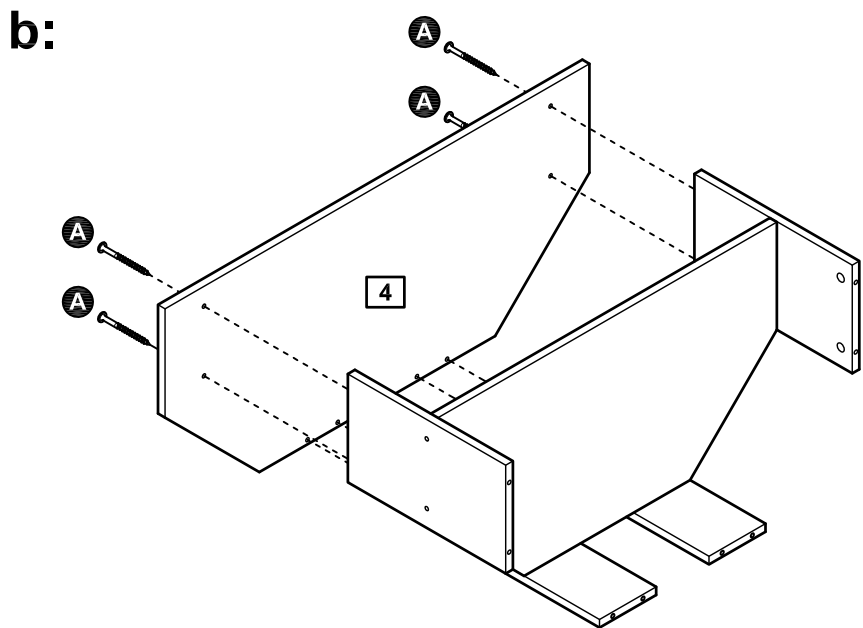


Continued on next page.

Assembly Instructions

Step 2 - continued

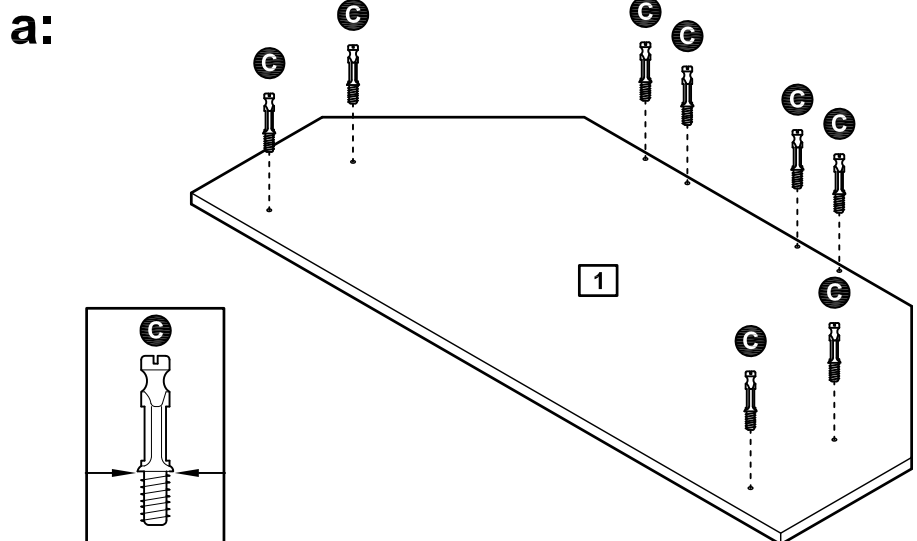
b: Use screws **A** to fix bottom panel **4** onto the unit.



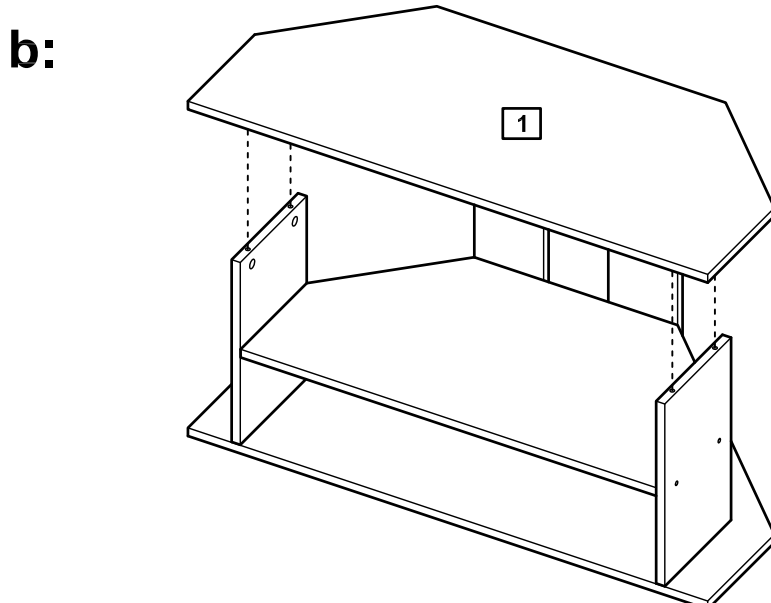
Step 3

Fitting the top panel

a: Screw locking pins **C** into top panel **1**.
Note: Fit the locking pins **C** to the depth shown in the detailed view.



b: Carefully place the top panel **1** onto the unit.



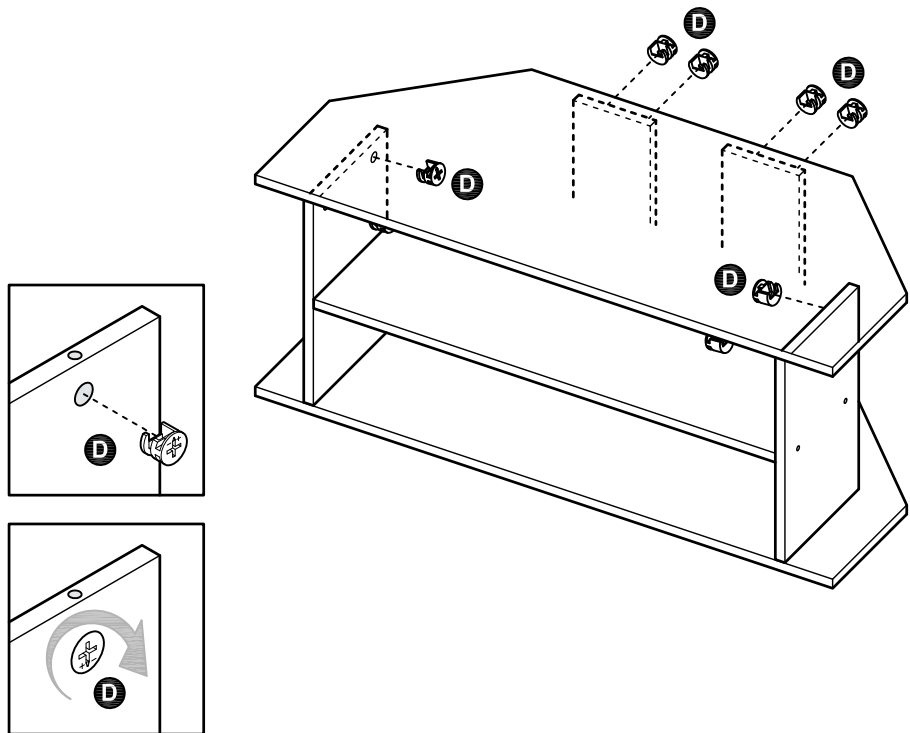
Continued on next page.

Assembly Instructions

Step 3 - continued

C: Insert locking nuts **D** into the unit, then use a screwdriver to turn locking nuts **D** clockwise to lock as shown in the two detailed views.

C:

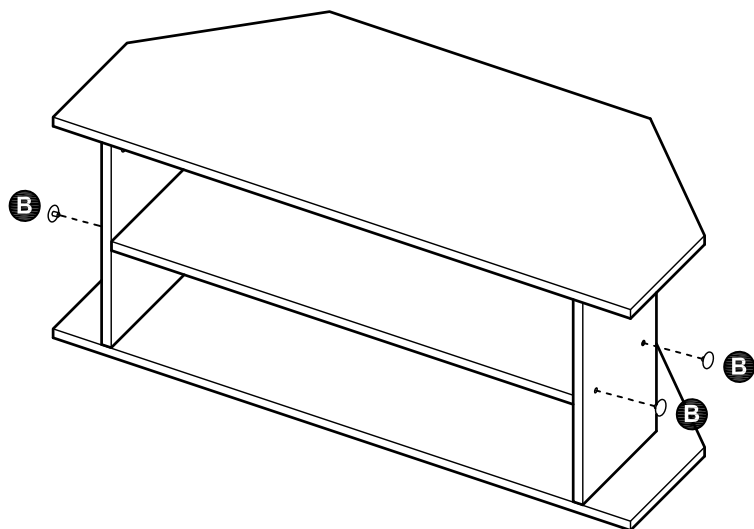


Step 4

Finish the unit

a: Use plastic plugs **B** to cover the screw heads.

a:



Assembly is complete.

If you need help or have damaged or missing parts, call the **Customer Helpline: 0345 640 0800**