

New Charlie TV Unit

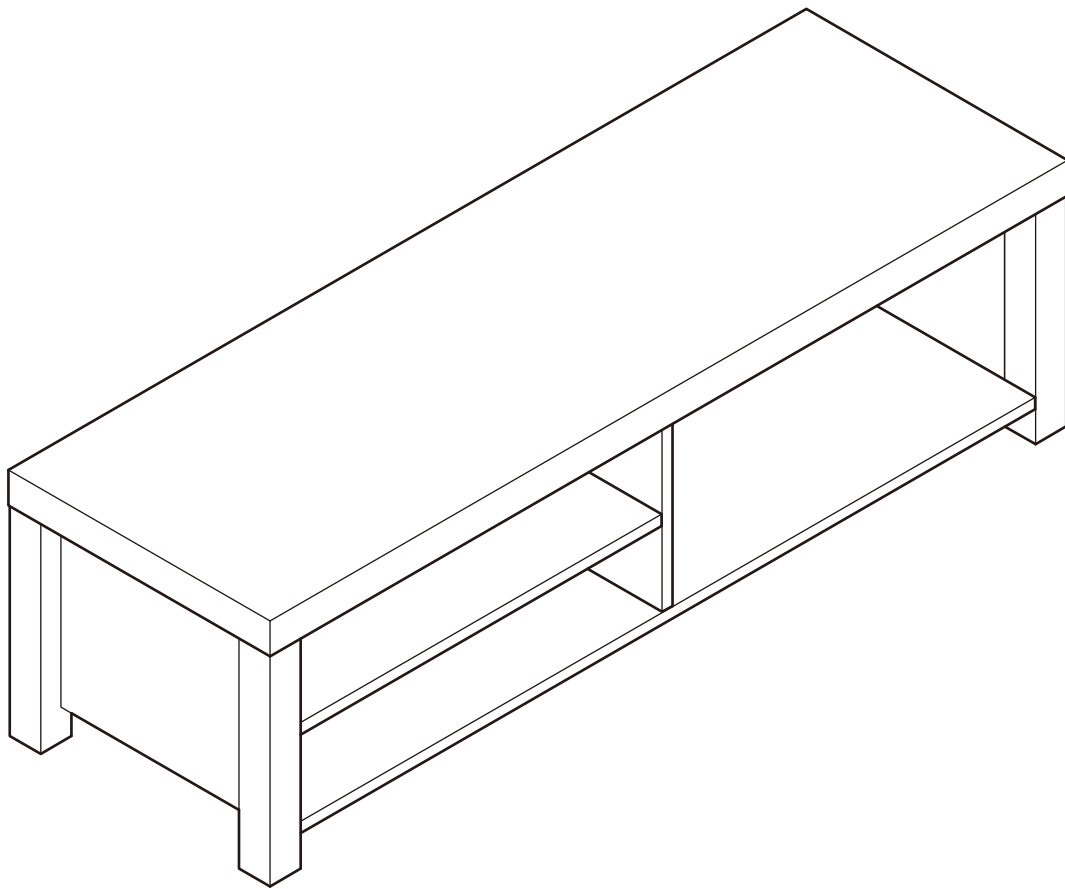
Assembly Instructions - Please keep for future reference

609/7024

609/7031

609/7048

391/9765



Dimensions

Width - 119 cm

Depth - 39 cm

Height - 34 cm

Important - Please read these instructions fully before starting assembly

If you need help or have damaged or missing parts, call the **Customer Helpline:**
Argos = 0345 6400800



Safety and Care Advice

Important – Please read these instructions fully before starting assembly

- Check you have all the components and tools listed on the following pages.
- Remove all fittings from the plastic bags and separate them into their groups.
- Keep children and animals away from the work area, small parts could choke if swallowed.
- Make sure you have enough space to layout the parts before starting.

- During assembly do not stand or put weight on the product, this could cause damage.
- Assemble the item as close to its final position (in the same room) as possible.
- Assemble on a soft level surface to avoid damaging the unit or your floor.
- Parts of the assembly will be easier with 2 people.



- To reduce the likelihood of damaging your product please ensure that your power drill is set on a low torque setting.

Glue safety - Take care when using glue, please follow the advice below

Skin contact: Remove contamination by washing with soap and water. This procedure should also be followed prior to eating and drinking.

Eye contact: Rinse immediately with clean water for 15 minutes and seek medical advice.

If swallowed: Seek medical advice immediately.

Care and maintenance

• Only clean using a damp cloth and mild detergent, do not use bleach or abrasive cleaners.

• From time to time check that there are no loose screws on this unit.

• This product should not be discarded with household waste. Take to your local authority waste disposal centre.

Handy Hints

• Assemble all parts and bolts loosely during assembly, only once the product is complete should you fully tighten the bolts

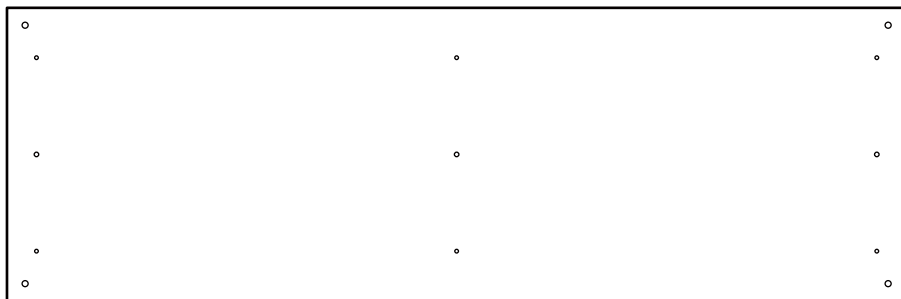
• Regularly check and ensure that all bolts and fittings are tightend properly.

Note: if required the next page can be cut out and used as reference throughout the assembly. Keep this page with these instructions for future reference.

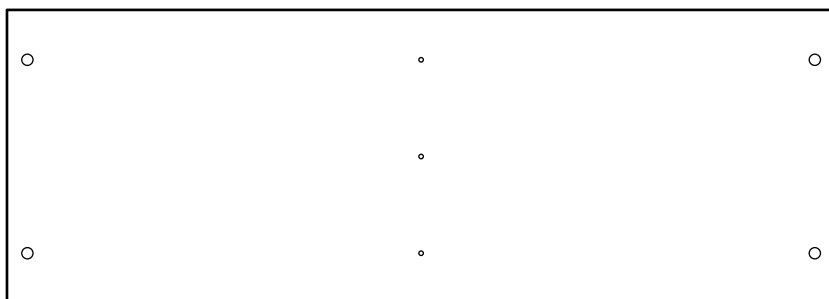
Components - Panels

If you have damaged or missing components, call the
Customer Helpline: Argos = 0345 6400800

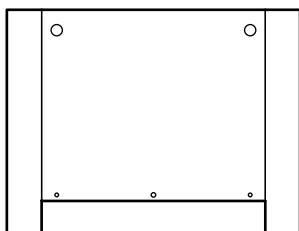
Please check you have all the panels listed below



1 Top panel (119 x 39cm)

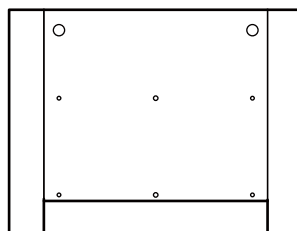


2 Bottom panel (109.6 x 38.7cm)

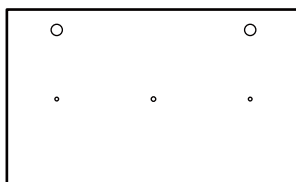


3 Right side panel
(38.8 x 29.8cm)

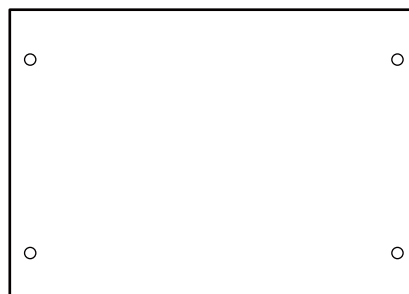
Finished
front edge



4 Left side panel
(38.8 x 29.8cm)



5 Middle panel
(38.6 x 23.7cm)




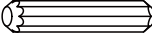
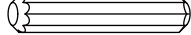


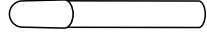


6 Shelf (54 x 38.5cm)

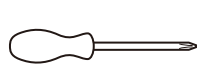
Components - Fittings

Please check you have all the fittings listed below

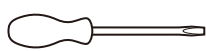
Note: The quantities below are the correct amount to complete the assembly. in some cases more fittings may be supplied than are required.

A  39mm Locking pin x 8	B  43mm Locking pin x 6	C  15mm Locking nut x 14
D  30mm Dowel x 7	E  40mm Dowel x 4	F  50mm Screw x 3
G  Feet x 1	H  Glue x 1	

Tools required



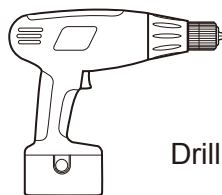
Phillips screwdriver
(medium & large)



Flatblade screwdriver
(medium)



7mm Suitable drill bit
(for use with wall plug)



Drill



Small
hammer



Ruler/tape
measure



Eye protection
(when using a
hammer or glue)

Ruler - Use this ruler to help correctly identify the screws

0 5 10 15 20 25 30 35 40 45 50 55 60 65 70 75 80 85 90 95 100 105 110 115 120 125 130 135 140 145 150 155 160 165 170



The screws length is measured from the head to the point (30mm screw shown).

Assembly Instructions

Step 1

Attaching left side panel

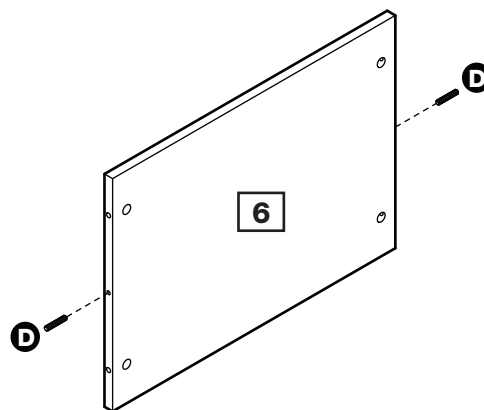
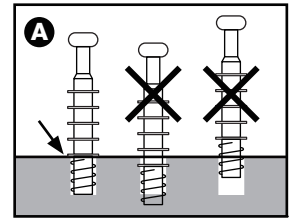
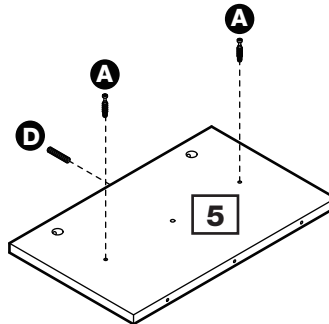
a: Insert Dowels **D** into the Middle panel **5** & Shelf **6**.

Screw Locking pins **A** into the Middle panel **5**.

Note: Insert Locking pins as far as shown.

Do not over tighten.

a:

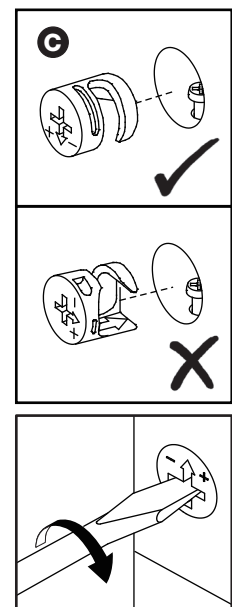
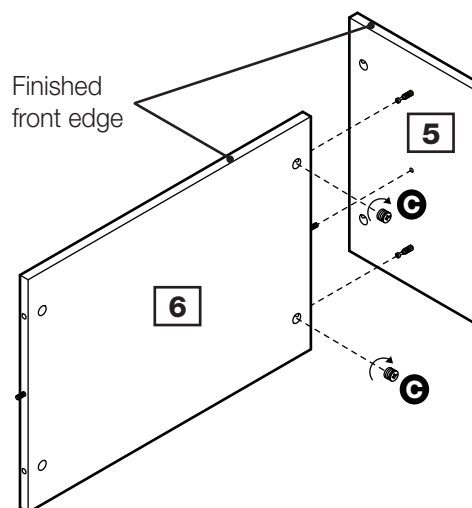


b: Position Middle panel **5** onto the Shelf **6**.

Insert 2 Locking nuts **C** into the Shelf **6**.

Use a screwdriver to turn Locking nuts **C** clockwise to lock.

b:



Continued on next page.

Assembly Instructions

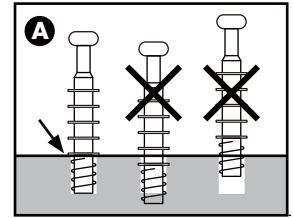
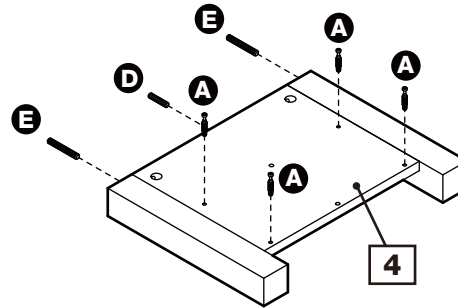
Step 1 - continued

c: Insert Dowels **D** & **E** into the Left side panel **4**.

Screw Locking pins **A** into the Left side panel **4**.

Note: Insert Locking pins as far as shown.
Do not over tighten.

c:

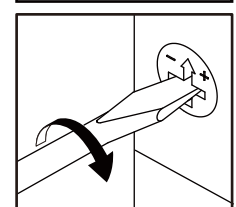
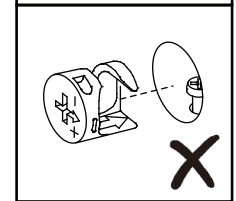
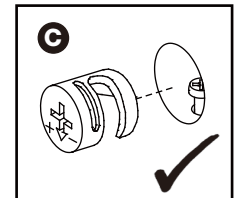
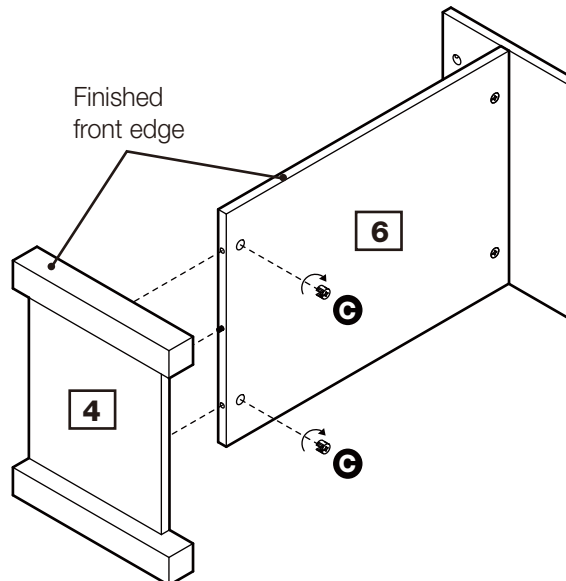


d: Position Left side panel **4** onto the Shelf **6**.

Insert 2 Locking nuts **C** into the Shelf **6**.

Use a screwdriver to turn Locking nuts **C** clockwise to lock.

d:



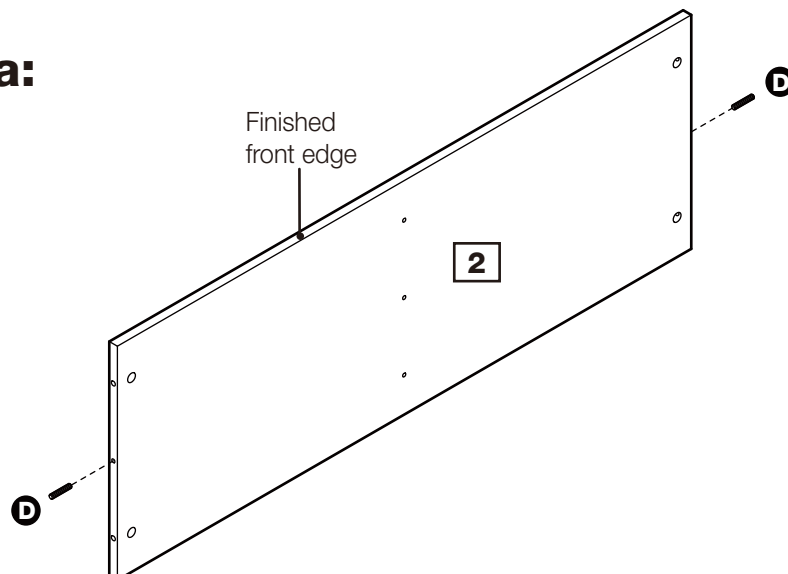
Step 2

Attaching bottom panel

a: Insert Dowels **D** into the bottom panel **2**.

Continued on next page.

a:



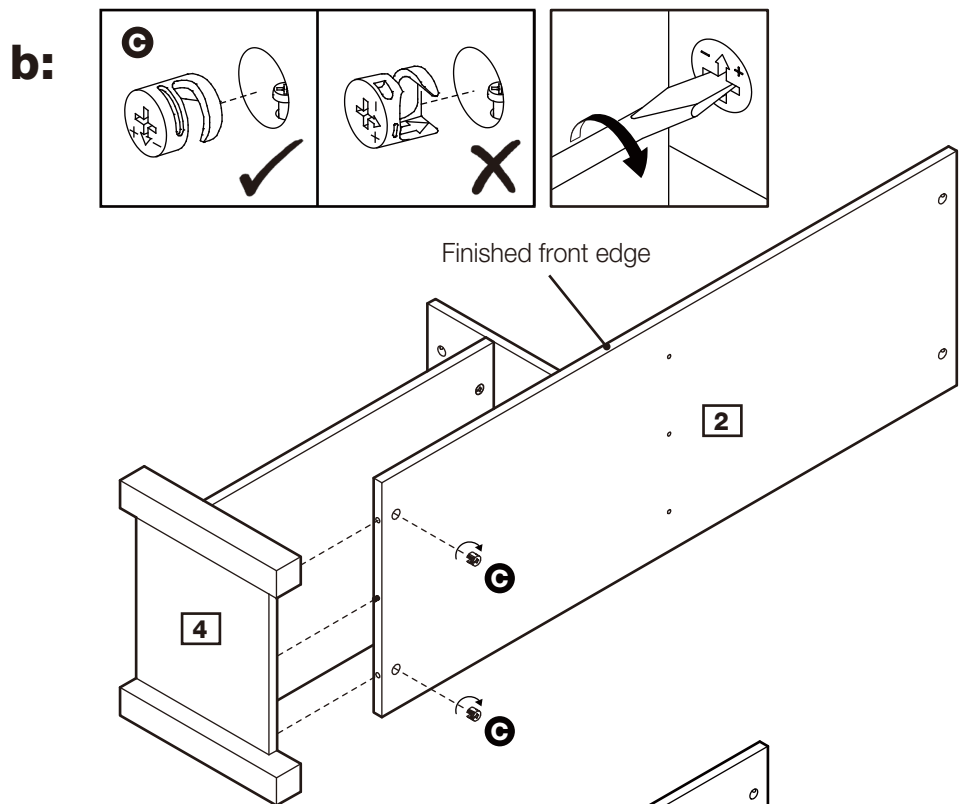
Assembly Instructions

Step 2 - continued

b: Position Bottom panel **2** onto the Left side panel **4**.

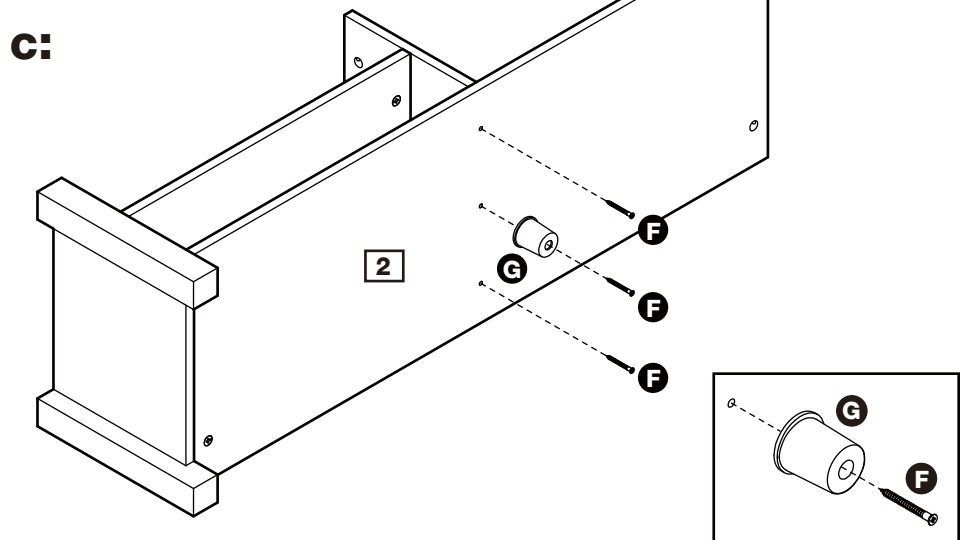
Insert 2 Locking nuts **C** into the Bottom panel **2**.

Use a screwdriver to turn Locking nuts **C** clockwise to lock.



C: Use Screw **F** to fix the Bottom panel **2** onto the unit.

Fix Feet **G** to Bottom panel **2** using Screw **F**.



Step 3

Attaching right side panel

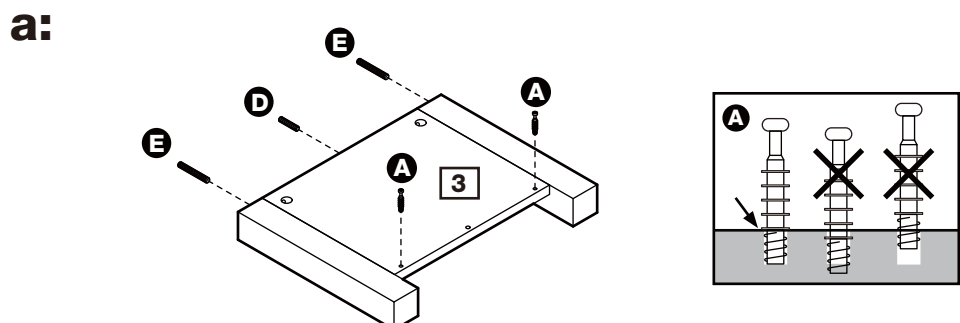
a: Insert Dowels **D** & **E** into the Right side panel **3**.

Screw Locking pins **A** into the Right side panel **3**.

Note: Insert Locking pins as far as shown.

Do not over tighten.

Continued on next page.



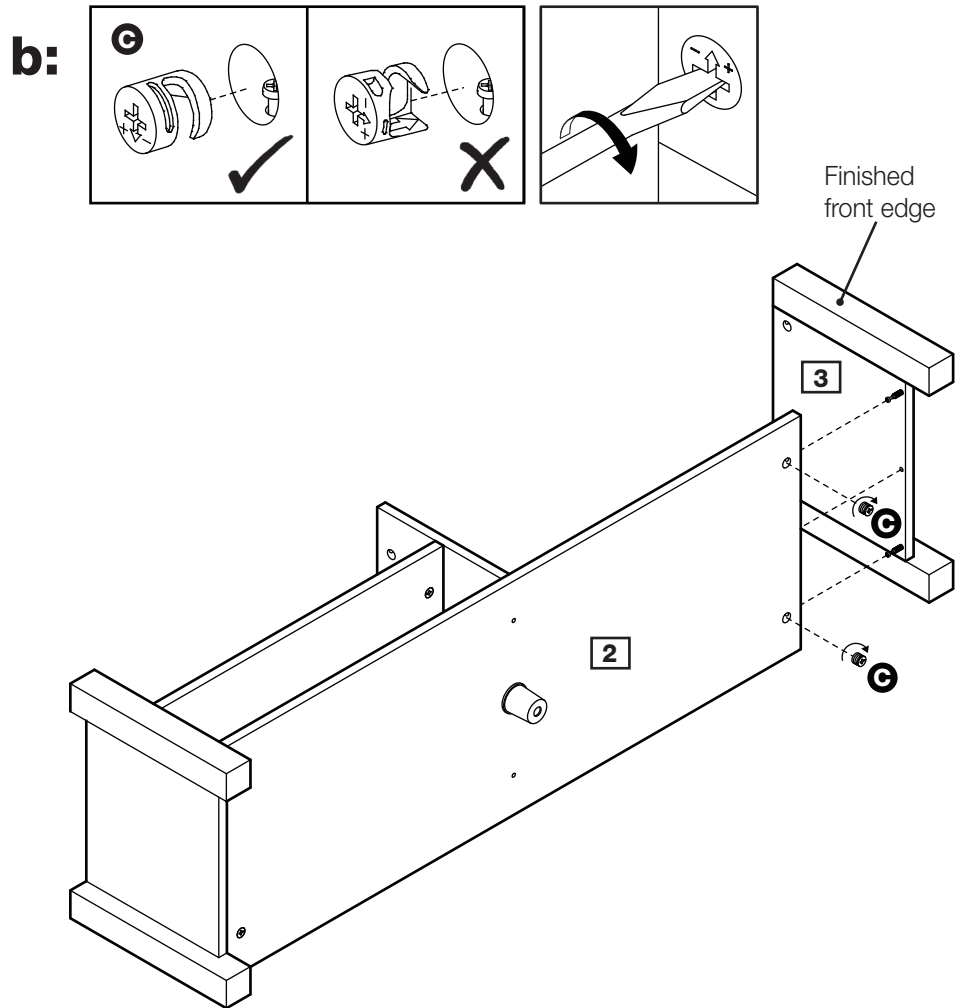
Assembly Instructions

Step 3 - continued

b: Position Right side panel **3** onto the Bottom panel **2**.

Insert 2 Locking nuts **C** into the Bottom panel **2**.

Use a screwdriver to turn Locking nuts **C** clockwise to lock.

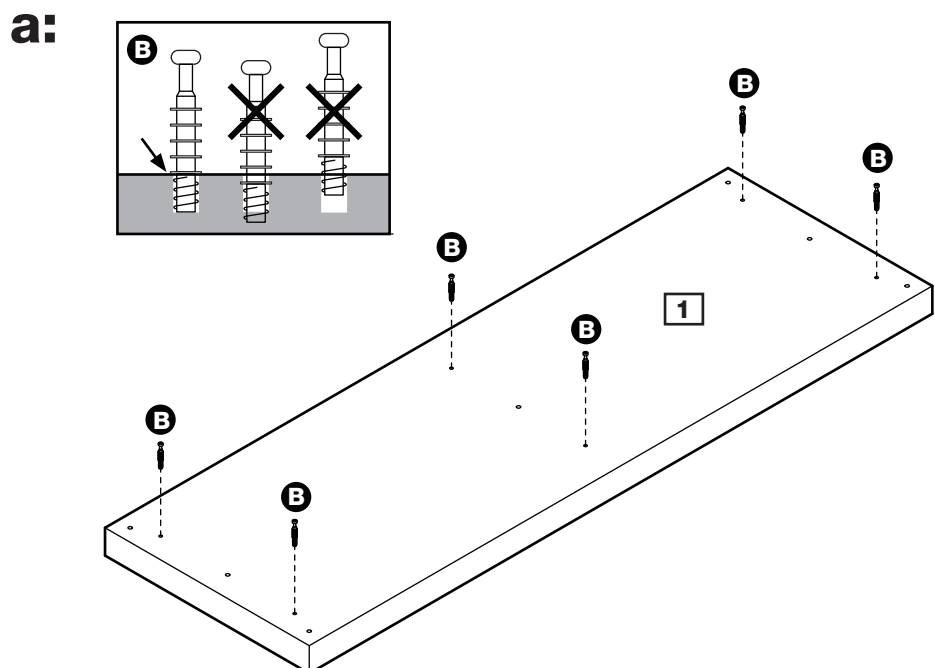


Step 4

Attaching top panel

a: Screw Locking pins **B** into the Top panel **1**.

Note: Screw Locking pins as far as shown.
Do not over tighten.



Continued on next page.

Assembly Instructions

Step 4 - continued

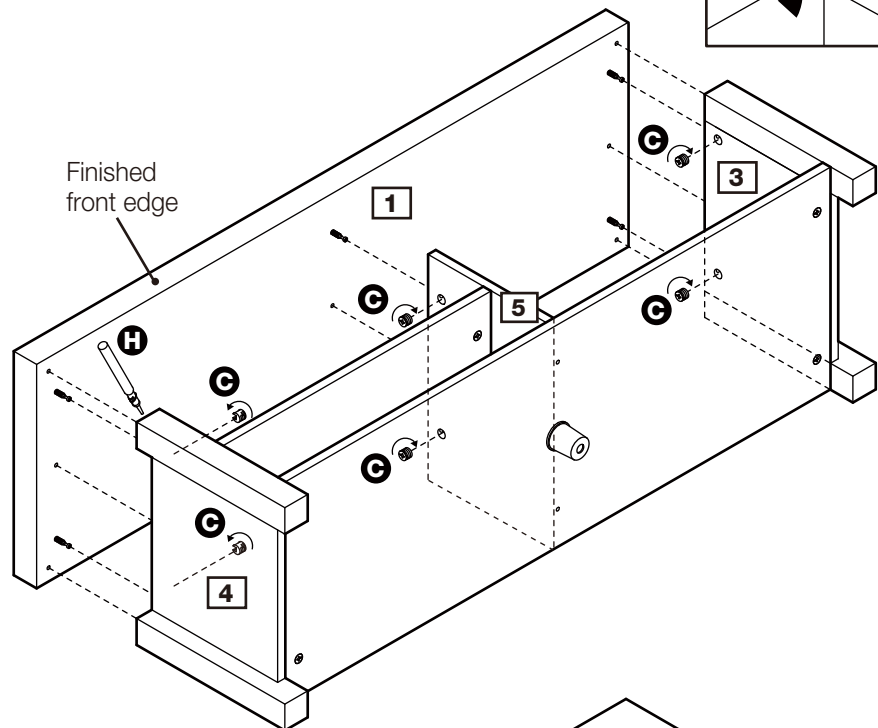
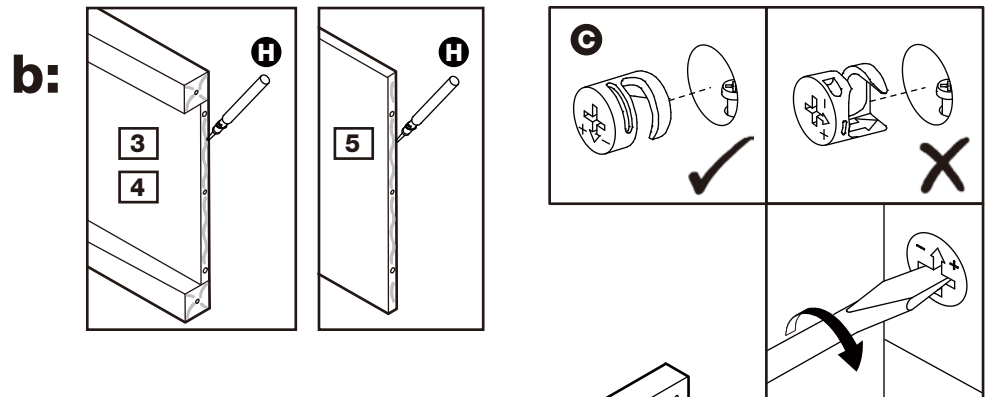
Note: It would be useful to ask someone to help you at this stage.

b: Place a small amount of Glue **H** onto the joint's surfaces.

Carefully position Top panel **1** onto the unit.

Insert 6 Locking nuts **C** into the unit.

Use a screwdriver to turn Locking nuts **C** clockwise to lock.



Step 5

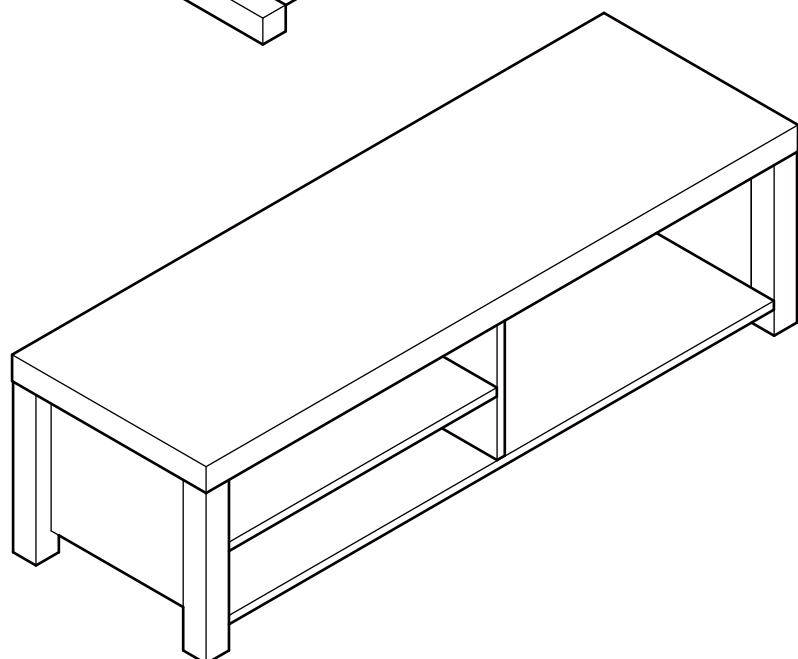
Finishing the unit

Note: It would be useful to ask someone to help you at this stage.

With help, place the unit in the intended position.

Note: Before use allow the glue to dry for 24 hours and make sure the unit is secure.

Assembly is complete.



If you need help or have damaged or missing parts, call the **Customer Helpline:**
Argos = 0345 6400800