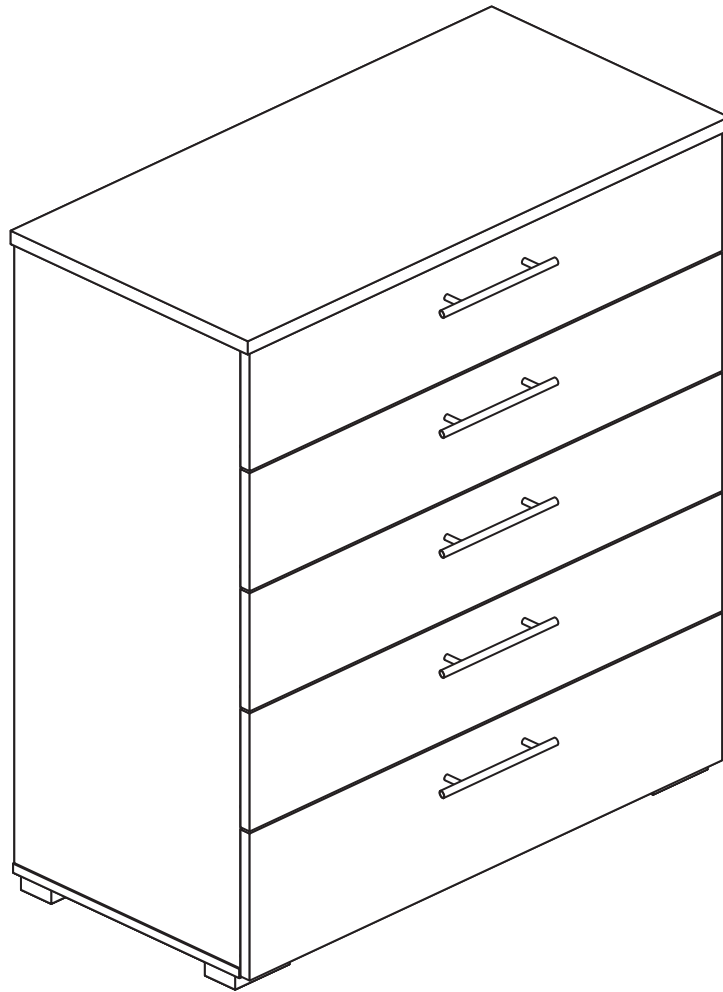


Malvern - 5 Drawer Chest

Assembly Instructions - Please keep for future reference

391/9538

395/6326



Dimensions

Width - 79.5cm

Depth - 39.5cm

Height - 109cm



**MADE IN
BRITAIN**

Important - Please read these instructions fully before starting assembly

If you need help or have damaged or missing parts, call the **Customer Helpline: 03456 400800**



Safety and Care Advice

Important - Please read these instructions fully before starting assembly

- **Warning:** This unit weighs approximately 39kgs. Please lift with care.

- Check you have all the components and tools listed on pages 2 and 3.

- Remove all fittings from the plastic bags and separate them into their groups.

- Keep children and animals away from the work area, small parts could choke if swallowed.

- Parts of the assembly will be easier with 2 people.

- Make sure you have enough space to layout the parts before starting.

- Do not stand or put weight on the product, this could cause damage.

- Assemble the item as close to its final position (in the same room) as possible.

- Assemble on a soft level surface to avoid damaging the unit or your floor (use opened out unit carton).



- We do not recommend the use of power drill/drivers **for inserting screws**, as this could damage the unit. Only use hand screwdrivers.

- **Safety note:** It is recommended that this unit is secured to a wall using the overbalance protector kit supplied or, an alternative fixing method of your choice.

- Dispose of all packaging carefully and responsibly.

Care and maintenance

- Only clean using a damp cloth and mild detergent, do not use bleach or abrasive cleaners.

- From time to time check that there are no loose screws on this unit.

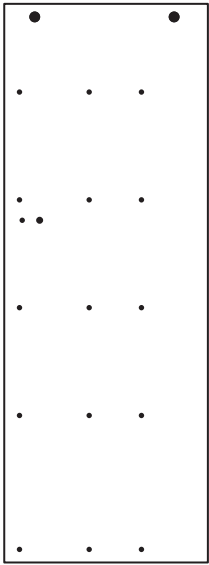
- This product should not be discarded with household waste. Take to your local authority waste disposal centre.

Note: If required the next page can be cut out and used as reference throughout the assembly. Keep this page with these instructions for future reference.

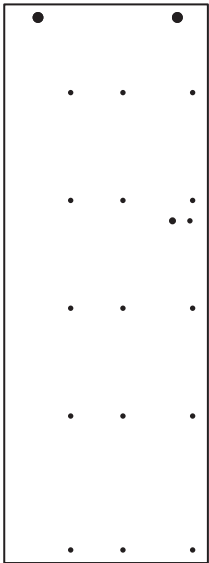
Components - Panels

If you have damaged or missing components, call the
Customer Helpline: 03456 400800 quoting the reference
numbers below

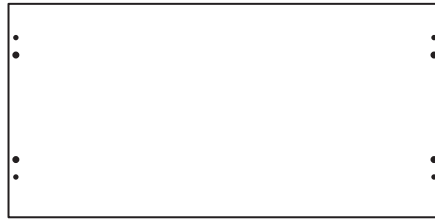
Please check you have all the panels listed below



1 Left Side (DF92)
(1026 x 374mm)



2 Right Side (DF93)
(1026 x 374mm)



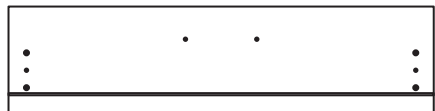
3 Top (DF95)
(795 x 392mm)



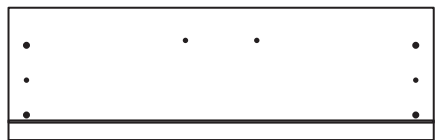
4 Base (DF94)
(787 x 374mm)



5 Rail (DF99)
(753 x 78mm)



6 Top Drawer Front (DF4049)
(778 x 195mm) x 4



7 Bottom Drawer Front (DF105)
(778 x 243mm)



8 Top Left Drawer Side (W370-124LH)
(370 x 124mm) x 4



9 Top Right Drawer Side (W370-124RH)
(370 x 124mm) x 4



10 Top Drawer Back (W702-124)
(702 x 124mm) x 4



11 Bottom Left Drawer Side (W370-165LH)
(370 x 165mm)



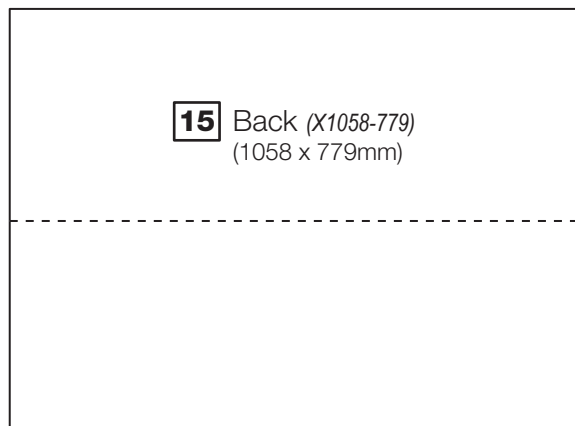
12 Bottom Right Drawer Side (W370-165RH)
(370 x 165mm)



13 Bottom Drawer Back (W702-165)
(702 x 165mm)



14 Drawer Base (T713-367)
(713 x 367mm) x 5



15 Back (X1058-779)
(1058 x 779mm)

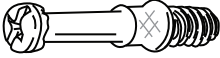










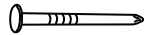
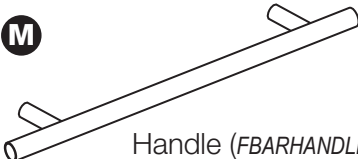
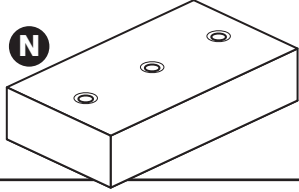
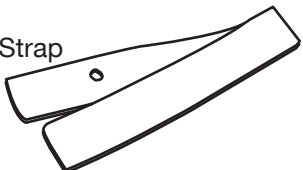




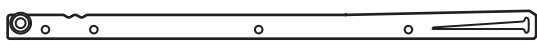
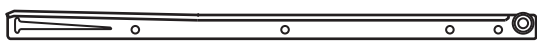


Components - Fittings

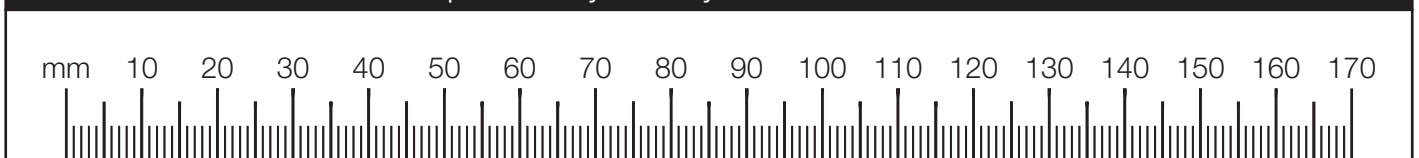
If you have damaged or missing components, call the **Customer Helpline: 03456 400800** quoting the reference numbers below

Please check you have all the fittings listed below

Note: The quantities below are the correct amount to complete the assembly. In some cases more fittings may be supplied than are required.

| | | |
|------------------------------------------------------------------------------------------------------------------------------------------------------------------------------------------------------------------------------------------------------------------------------------------------------------------------------------------------------------------------------------------------------------------------------------------------------------------------------------------------------------------------|--------------------------------------------------------------------------------------------------------------------------------------|--------------------------------------------------------------------------------------------------------------------------------------------------------------------------------------------------------------------------------------------------------------------------------------------------------------------------------------------------------------------|
| <p>A </p> <p>Metal dowel (F901) x 16</p> | <p>B </p> <p>Small locking nut (F3) x 10</p> | <p>C </p> <p>Large locking nut (F900) x 6</p> |
| <p>D </p> <p>Wooden dowel (F22) x 10</p> | <p>E </p> <p>40mm Screw (F910) x 4</p> | <p>F </p> <p>38mm Screw (F81) x 8</p> |
| <p>G </p> <p>19mm Screw (F461) x 10</p> | <p>H </p> <p>13mm Screw (F63) x 30</p> | <p>I </p> <p>9mm Screw (F73) x 30</p> |
| <p>J </p> <p>Knock-in Peg (F171GY) x 20</p> | <p>K </p> <p>Wedgefix (F639) x 20</p> | <p>L </p> <p>Nail (F51) x 25</p> |
| <p>M </p> <p>Handle (FBARHANDLE) x 5</p> | <p>N </p> <p>Foot (F233) x 4</p> | <p>O </p> <p>Strap</p> <p> Screw  Washer x 2</p> <p>Overbalance protector kit (F269) x 1</p> |
| <p>P a  L Runner (F159) x 5 350mm long</p> <p>P b  R Runner (F160) x 5</p> <p>P c  L Runner (F161) x 5</p> <p>P d  R Runner (F162) x 5</p> | | |

Ruler - Use this ruler to help correctly identify the screws



Assembly Instructions

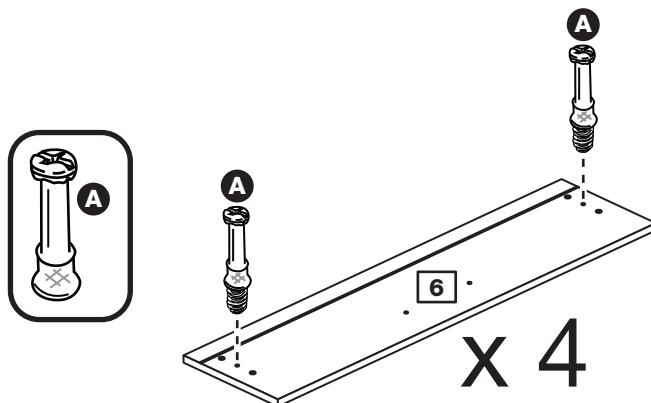
If you have damaged or missing components, call the
Customer Helpline: 03456 400800 quoting the reference
numbers below

Step 1

Prepare the 4 top drawer fronts

Screw 2 metal dowels **A** into each of the top drawer fronts **6**.

Note: Tighten the metal dowels up fully against the panels.

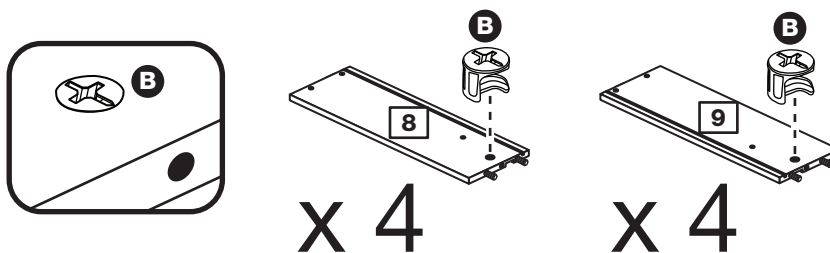


Step 2

Prepare the top drawer sides

Insert a small locking nut **B** into the hole shown on the top left drawer side **8** and the top right drawer side **9**.

Note: The arrow on the locking nut **must** point towards the hole in the edge of the panel.



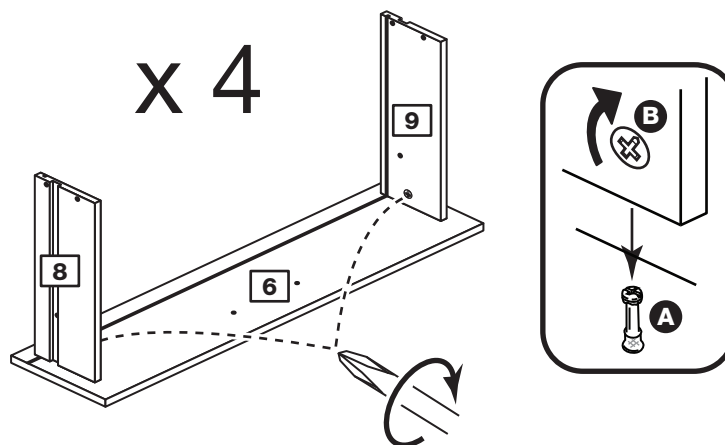
Step 3

Attach the top drawer sides to the top drawer fronts

Push the top left drawer sides **8** and top right drawer sides **9** onto the back of the top drawer fronts **6**.

Turn the small locking nuts **B** on the top left drawer side **8** and top right drawer side **9**.

Note: Turn the locking nuts **B** clockwise to secure panels - more than 1/2 a turn.

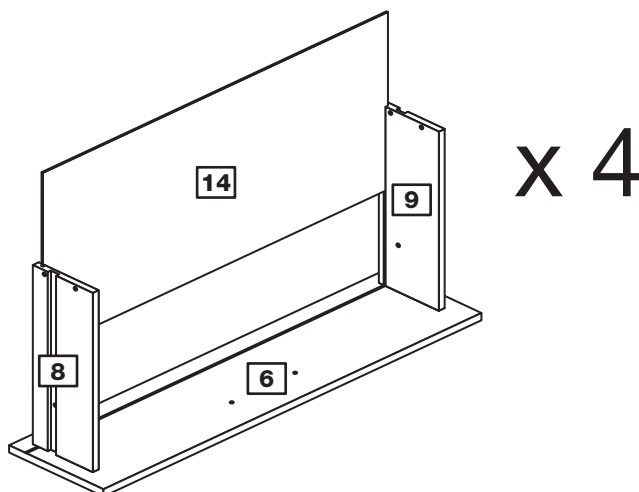


Assembly Instructions

Step 4

Fit the drawer base

Slide the drawer base **14** down the grooves in the top drawer sides **8** and **9** and down into the groove in the top drawer front **6**.

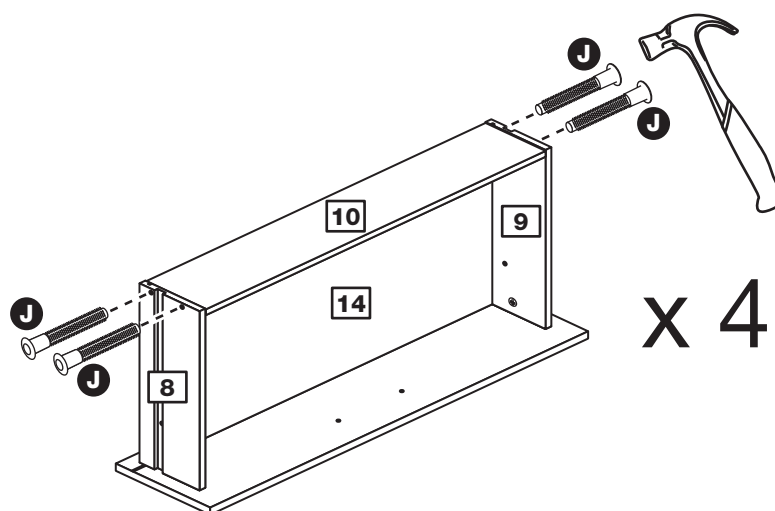


Step 5

Fit the top drawer back

Fit the top drawer back **10** between the top drawer sides **8** and **9**. Make sure that the drawer base **14** fits into the groove in the top drawer back **10**.

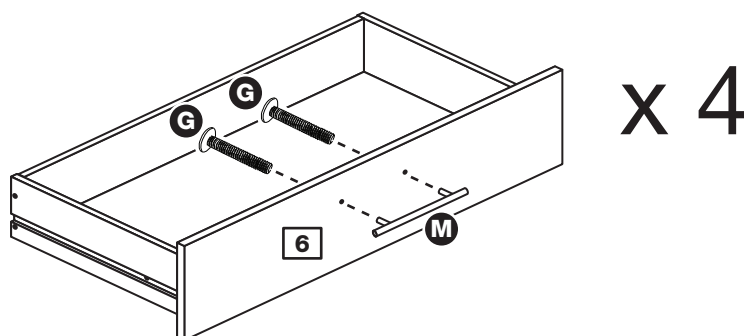
Hold the top drawer back **10** in position and tap the knock-in pegs **J** through the holes in the top drawer sides **8** and **9**.



Step 6

Attach the handles

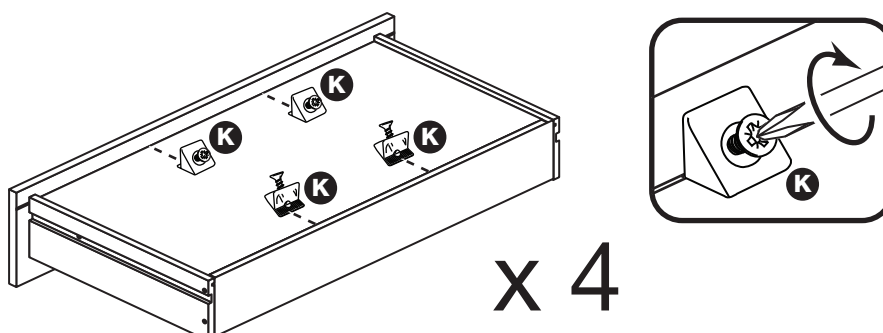
Attach a handle **M** to each of the top drawer fronts **6** using screws **G**.



Step 7

Fit the wedgifixes

Turn the 4 top drawer assemblies over and slide 4 wedgifixes **K** into the front and back grooves, as shown, and tighten up the screws.

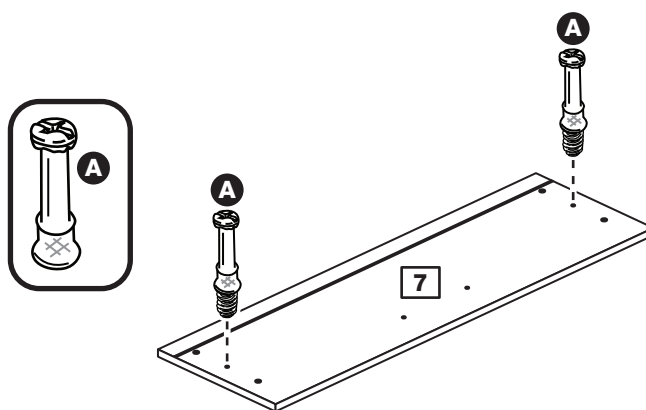


Assembly Instructions

Step 8

Prepare the bottom drawer front

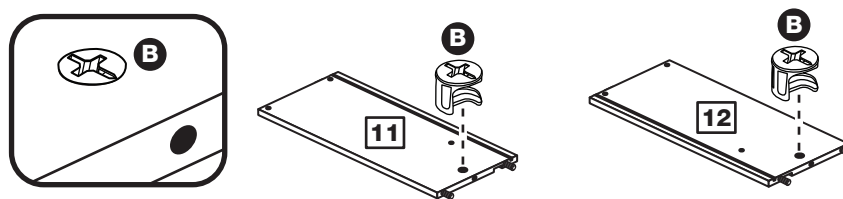
Screw 2 metal dowels **A** into the bottom drawer front **7**.



Step 9

Prepare the bottom drawer sides

Insert a small locking nut **B** into the hole shown on the bottom left drawer side **11** and the bottom right drawer side **12**.

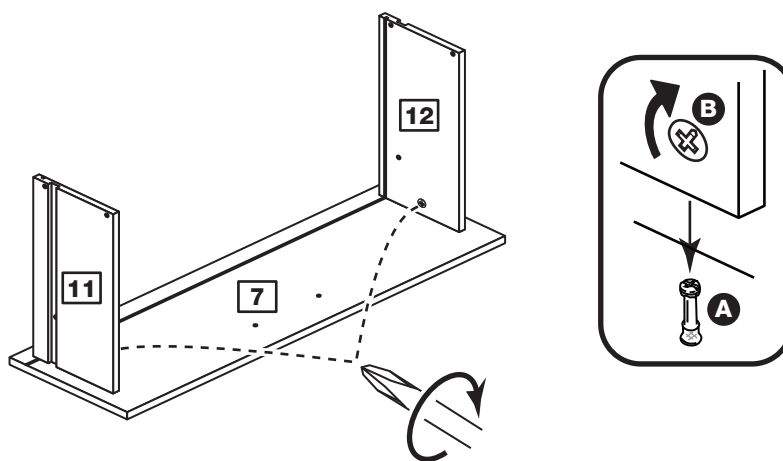


Step 10

Attach the bottom drawer sides to the bottom drawer front

Push the bottom left drawer side **11** and bottom right drawer side **12** onto the back of the bottom drawer front **7**.

Turn the small locking nuts **B** on the bottom left drawer side **11** and bottom right drawer side **12**.

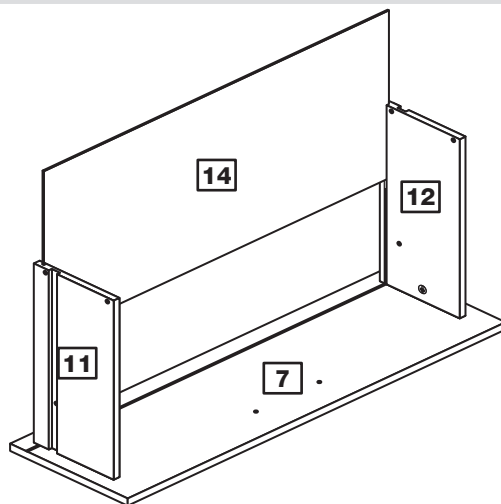


Assembly Instructions

Step 11

Fit the drawer base

Slide the drawer base **14** down the grooves in the bottom drawer sides **11** and **12** and down into the groove in the bottom drawer front **7**.



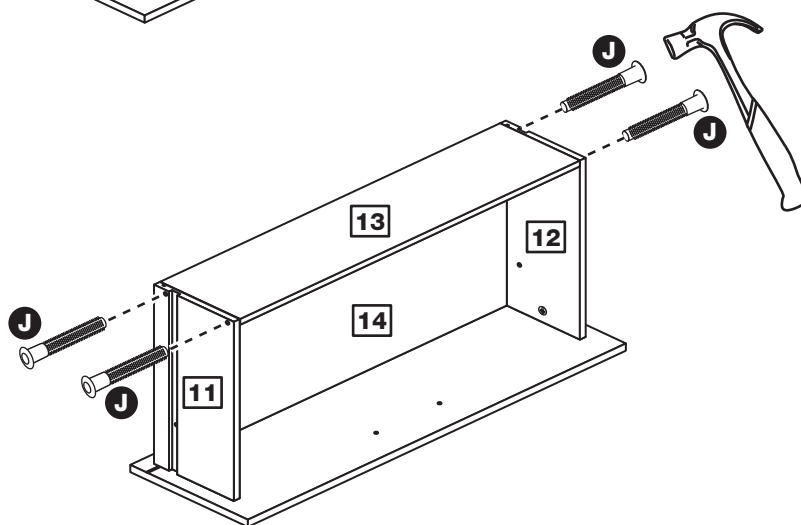
Step 12

Fit the bottom drawer back

Fit the bottom drawer back **13** between the bottom drawer sides **11** and **12**.

Make sure that the drawer base **14** fits into the groove in the bottom drawer back **13**.

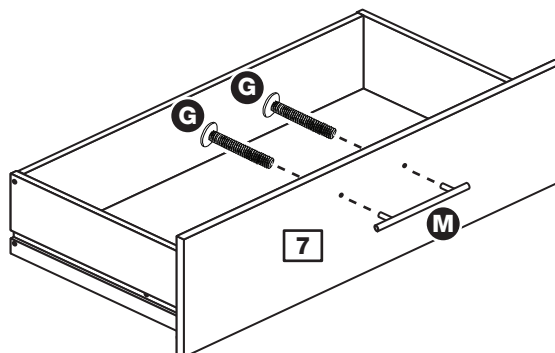
Hold the bottom drawer back **13** in position and tap the knock-in pegs **J** through the holes in the bottom drawer sides **11** and **12**.



Step 13

Attach the handle

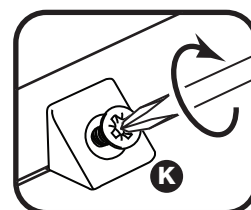
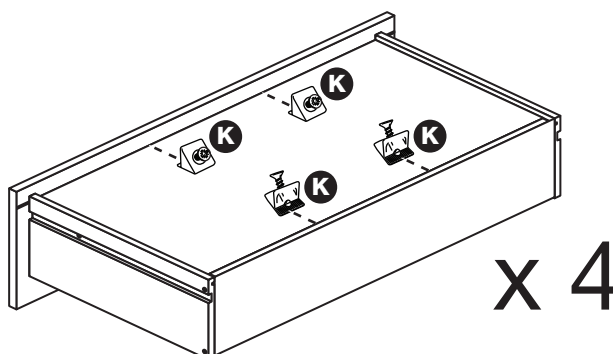
Attach the handle **M** to the bottom drawer front **7** using screws **G**.



Step 14

Fit the wedgifixes

Turn the drawer assembly over and slide 4 wedgifixes **K** into the front and back grooves, as shown, and tighten up the screws.



Assembly Instructions

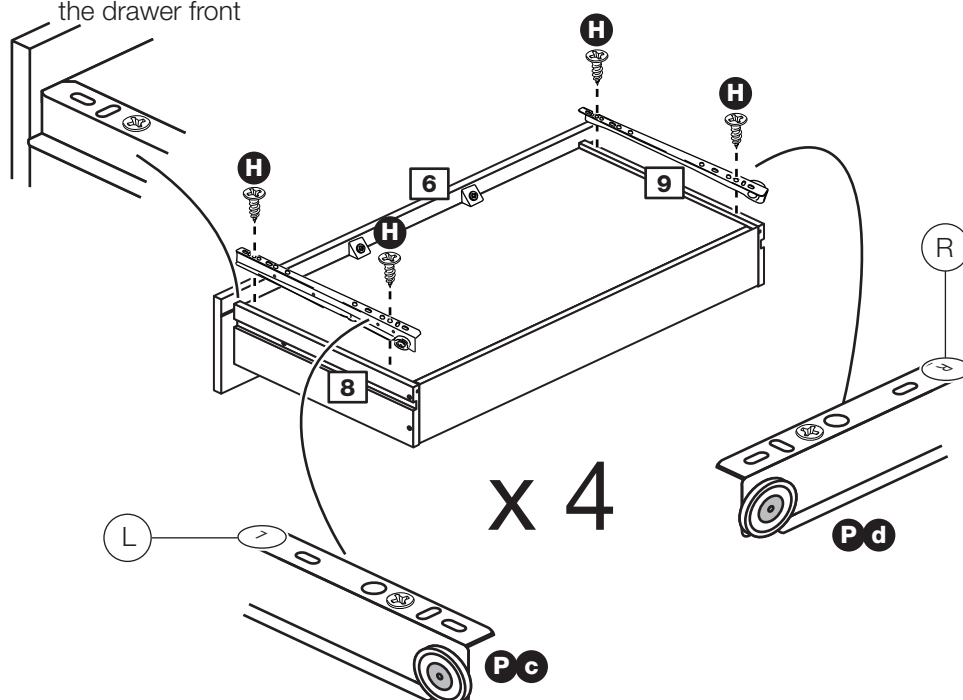
Step 15

Fit runners to the 4 top drawers

Fit runner **Pd**, marked with 'R', to the bottom edge of the top right drawer side **9**, as shown, making sure that it is pushed up against the back of the top drawer front **6**. Use a bradawl to mark the fixing positions, then secure with 2 screws **H**.

Fit runner **Pc**, marked 'L', to the bottom edge of the top left drawer side **8** using the same method.

Runners must be pushed up against the drawer front



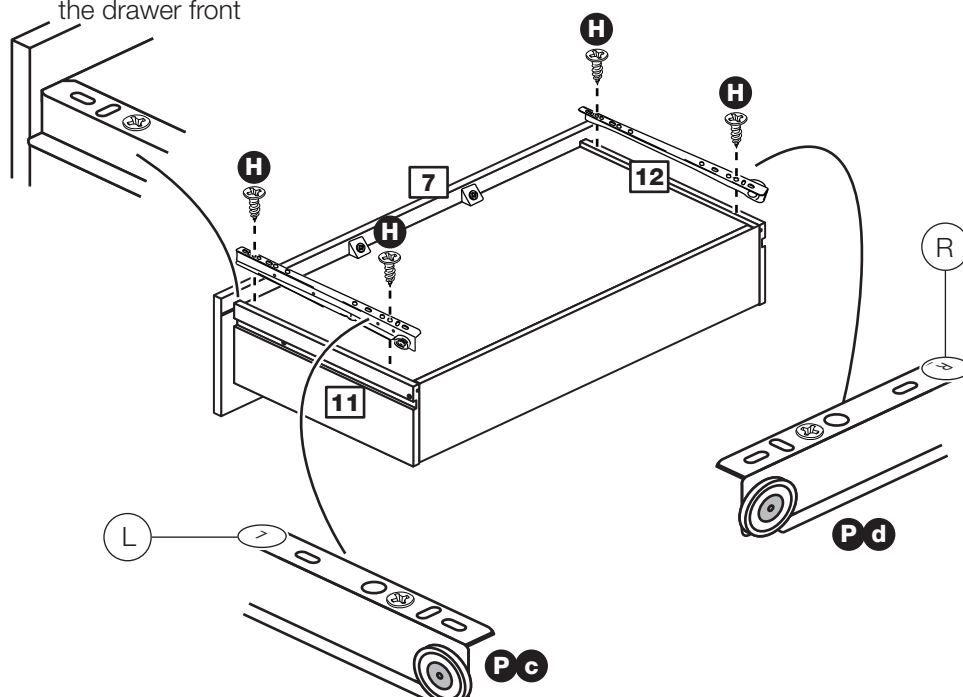
Step 16

Fit runners to the bottom drawer

Fit a runner **Pd**, marked with 'R', to the bottom edge of the bottom right drawer side **12**, as shown, making sure that it is pushed up against the back of the bottom drawer front **7**. Use a bradawl to mark the fixing positions, then secure with 2 screws **H**.

Fit runner **Pc**, marked 'L', to the bottom edge of the bottom left drawer side **11** using the same

Runners must be pushed up against the drawer front



Assembly Instructions

Step 17

Prepare the left side

a: Fit 5 runners **Pa** to the left side **1**.

The 1st screw **I** uses the 1st hole in from the front of the runner.

The 2nd and 3rd screws **I** use the holes that line up with the other panel holes.

b: Fit a screw **H** into the 2nd hole in at the top of the runner **Pa**.

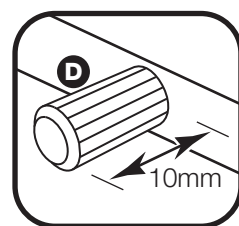
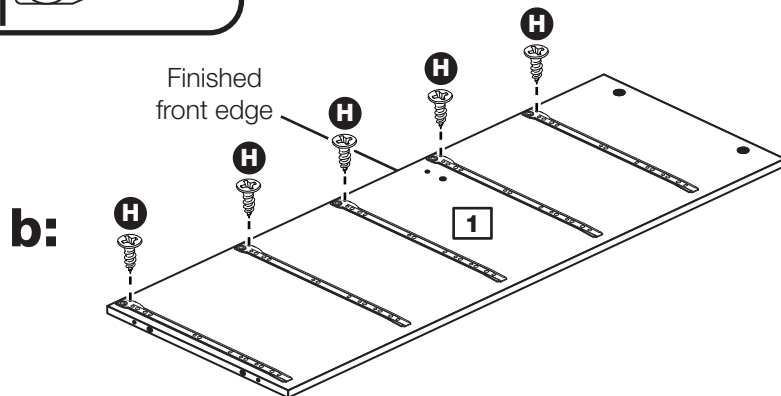
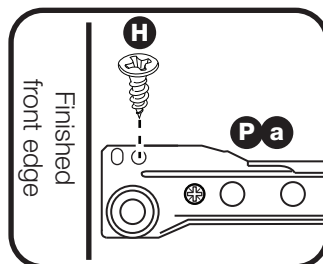
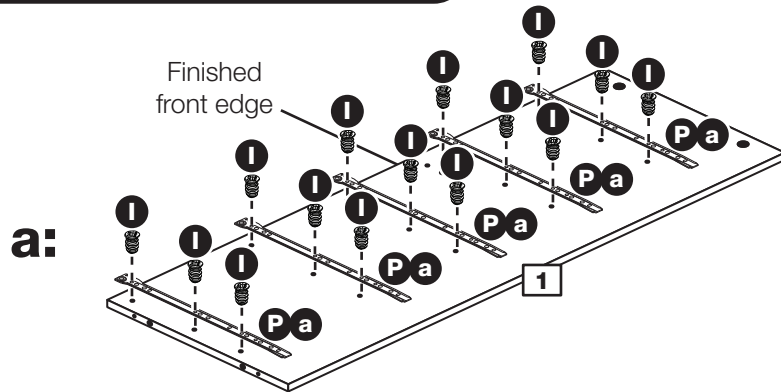
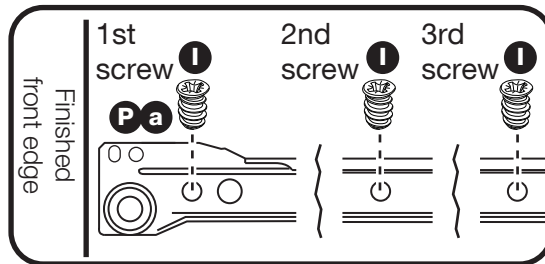
c: Tap 4 wooden dowels **D** into the left side **1**.

Note: Wooden dowels **must not** stick out from the edge by more than 10mm or they may damage other panels.

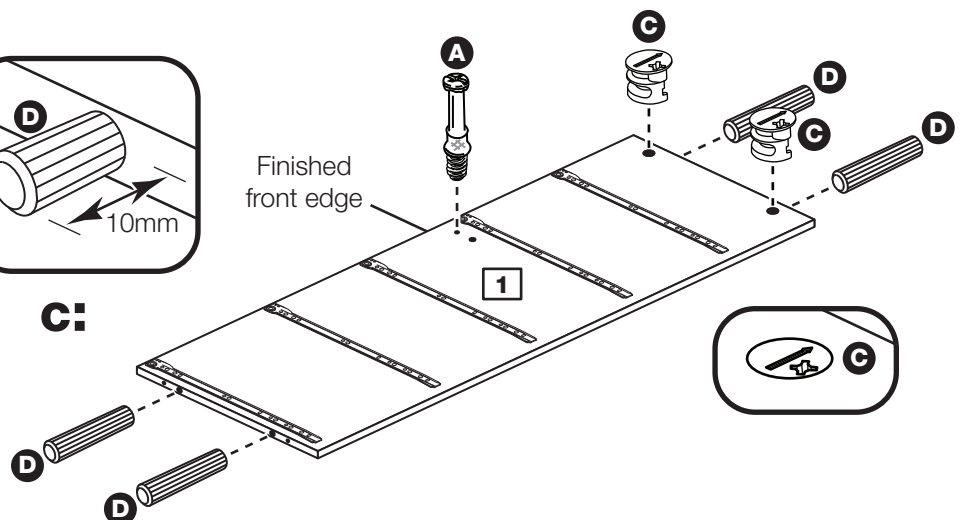
Insert 2 large locking nuts **C** into the left side **1**.

Note: The arrow on the locking nut **must** point towards the hole in the edge of the panel.

Screw a metal dowel **A** into the left side **1**.



c:



Assembly Instructions

Step 18

Prepare the right side

a: Fit 5 runners **P b** to the right side **2**.

The 1st screw **I** uses the 1st hole in from the front of the runner.

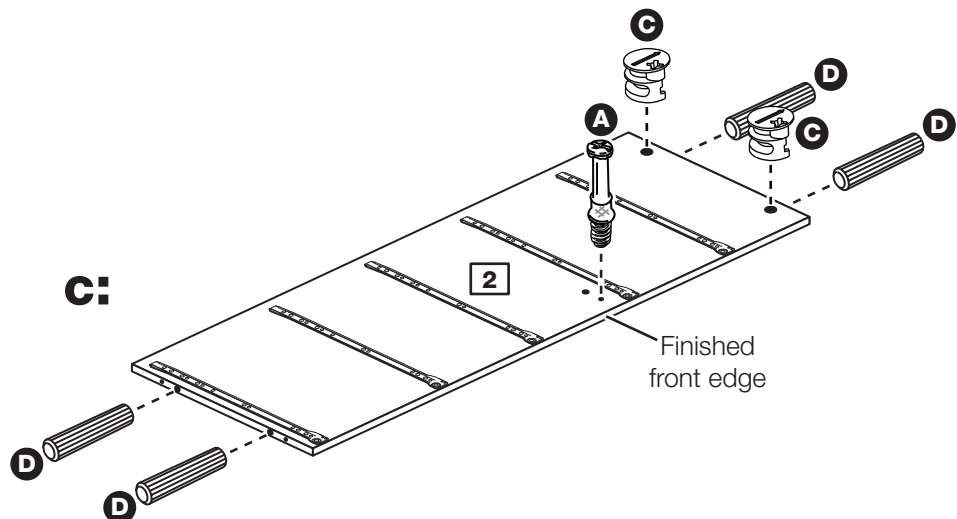
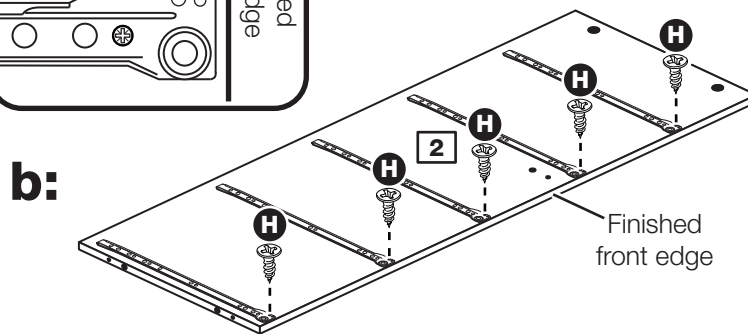
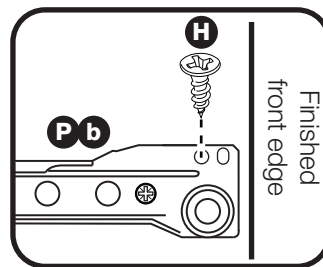
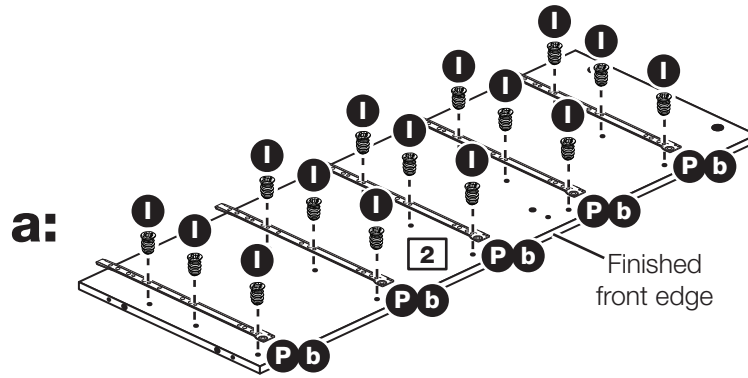
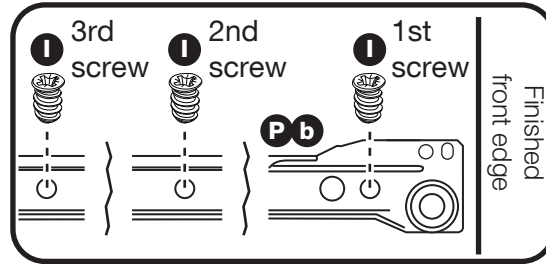
The 2nd and 3rd screws **I** use the holes that line up with the other panel holes.

b: Fit a screw **H** into the 2nd hole in at the top of the runner **P b**.

c: Tap 4 wooden dowels **D** into the right side **2**.

Insert 2 large locking nuts **C** into the right side **2**.

Screw a metal dowel **A** into the right side **2**.



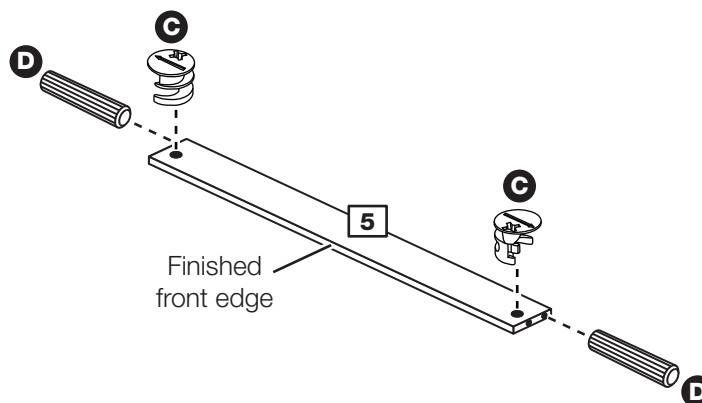
Assembly Instructions

Step 19

Prepare the rail

Tap 2 wooden dowels **D** into the rail **5**.

Insert 2 large locking nuts **C** into the rail **5**.



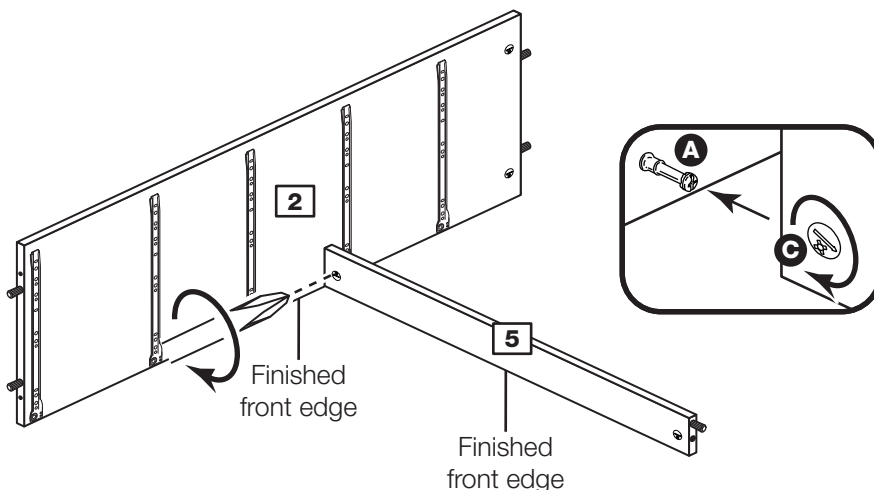
Step 20

Fit the rail to the right side

Push the rail **5** onto the right side **2**.

Use a screwdriver to tighten the large locking nut **C** fitted to the rail **5**.

Note: Turn the large locking nuts **C** as far as they will go - more than 1/2 a turn.

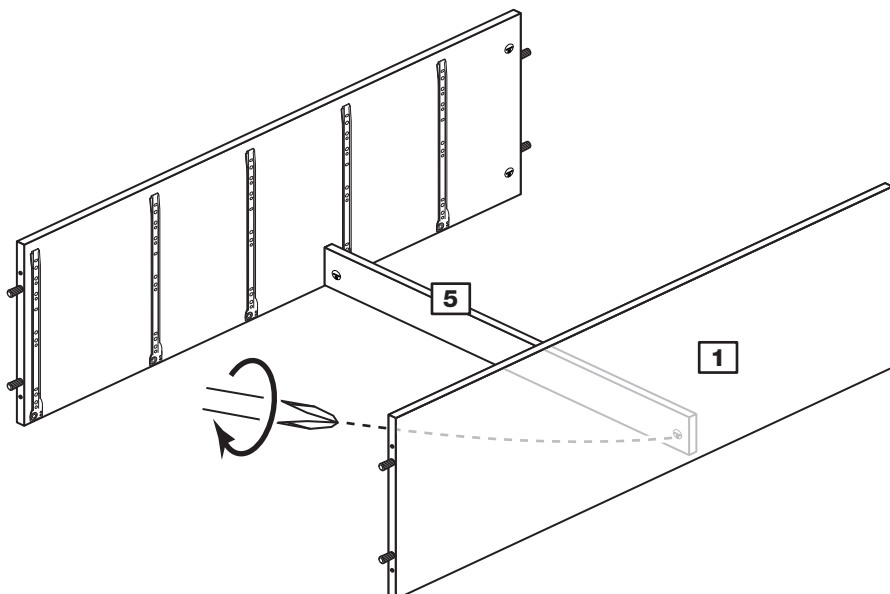


Step 21

Fit the left side to the rail

Push the left side **1** onto the rail **5**.

Use a screwdriver to tighten the large locking nut **C** fitted to the rail **5**.

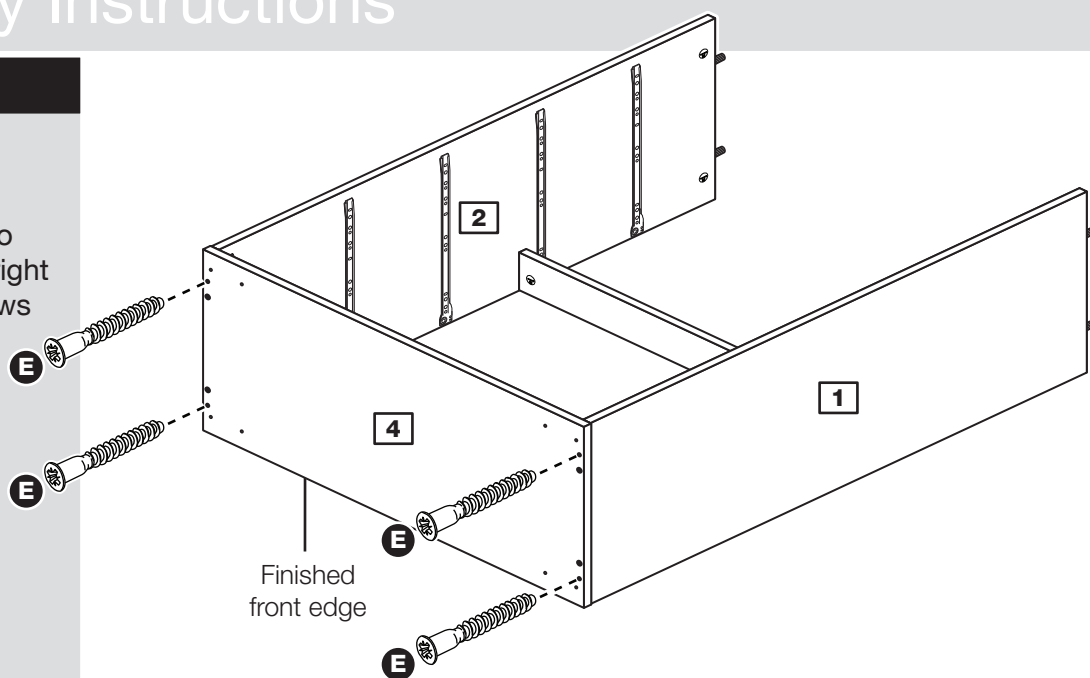


Assembly Instructions

Step 22

Fit the base

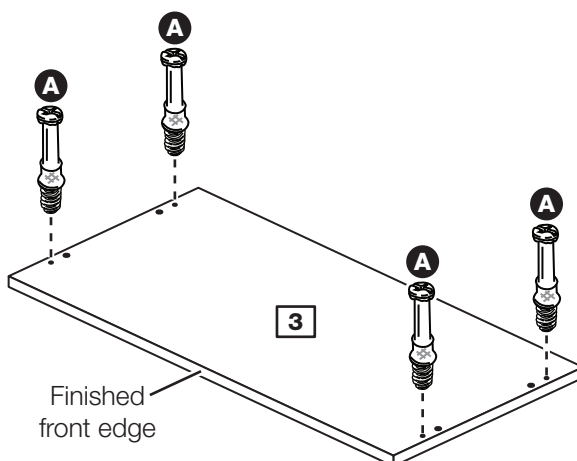
Attach the base **4** to the left side **1** and right side **2** using 4 screws **E**.



Step 23

Prepare the top

Screw 4 metal dowels **A** into the top **3**.

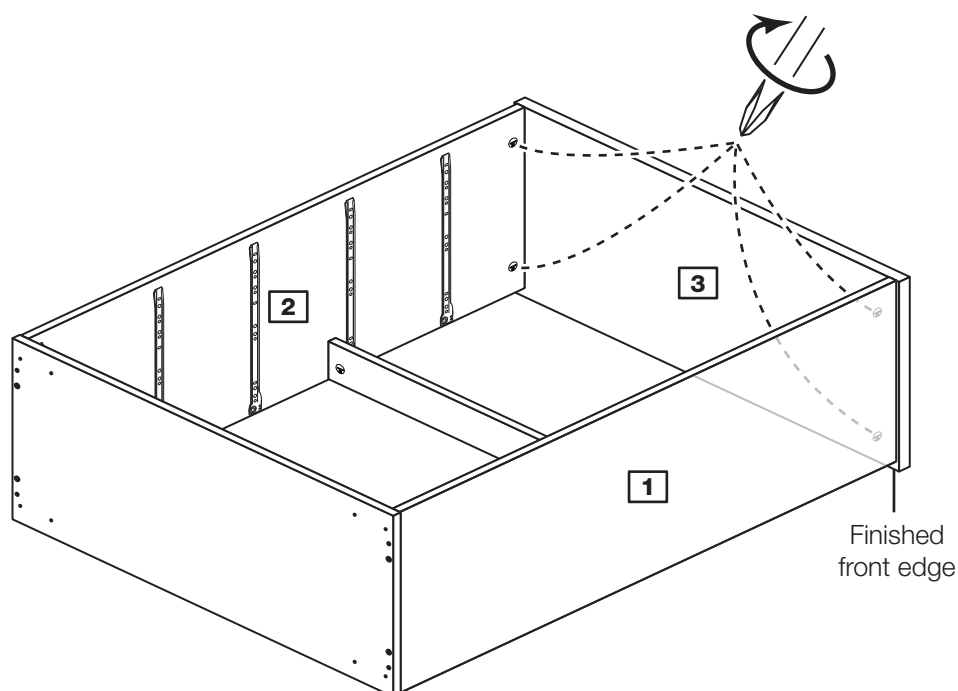


Step 24

Fit the top

Push the top **3** onto the assembly.

Use a screwdriver to tighten the 4 large locking nuts **C** fitted to the left side **1** and right side **2**.

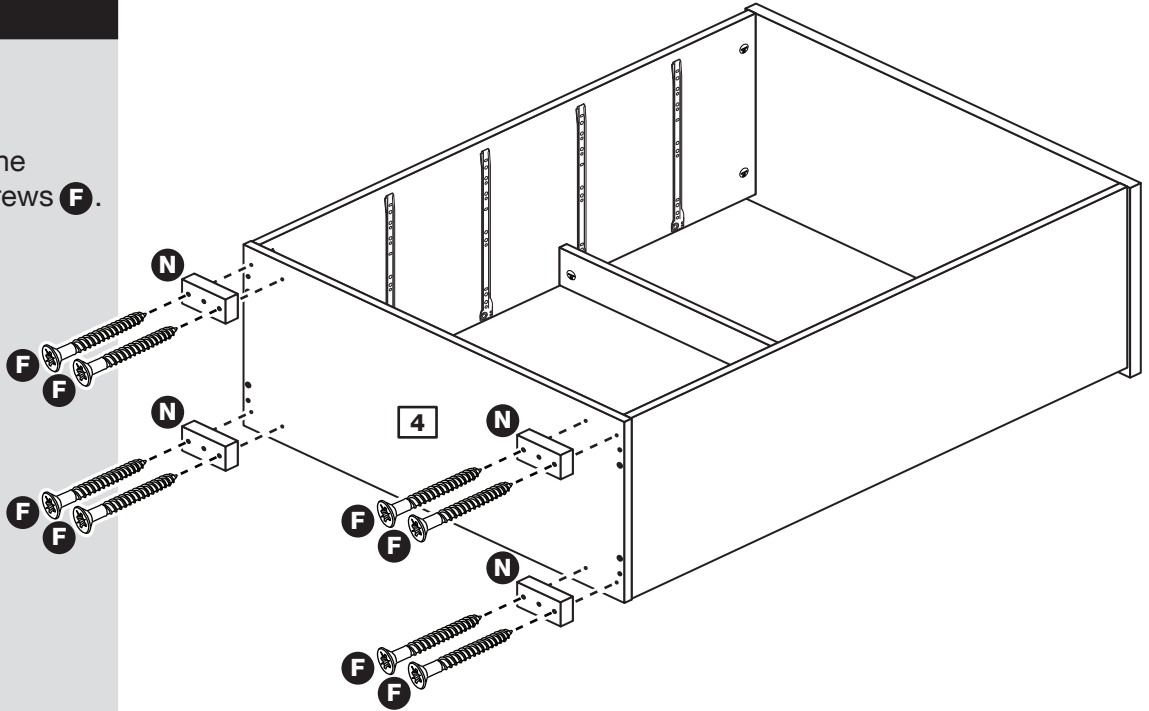


Assembly Instructions

Step 25

Fit the feet

Fit the feet **N** to the base **4** using screws **F**.



Step 26

Fit the back

a: Square up the unit by making sure that measurement **x to x** equals **y to y**.

b: Place the back **15** onto the unit.

Nail **L** around the outside edges of the back **15**.

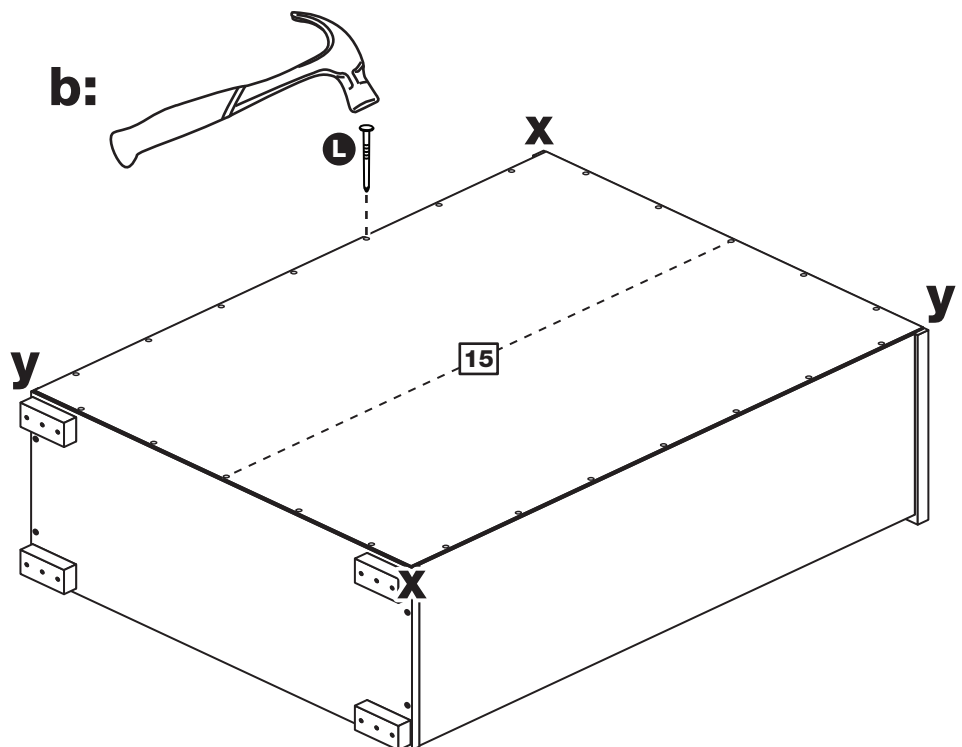
Note: Nails should be spaced about 150mm apart.

Stand the unit up for the next step.



Warning: The unit is heavy. Lift with care.

a: The measurement from top corner X to bottom corner X must be equal to the measurement from top corner Y to bottom corner Y

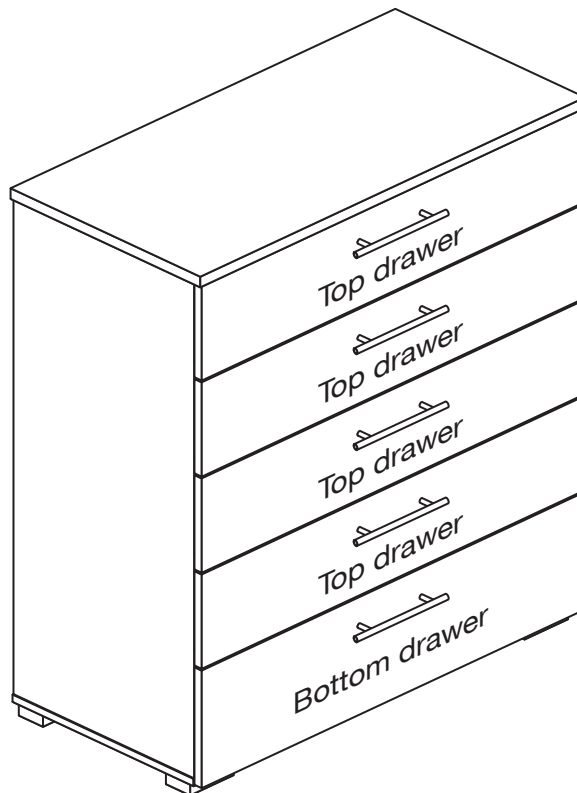
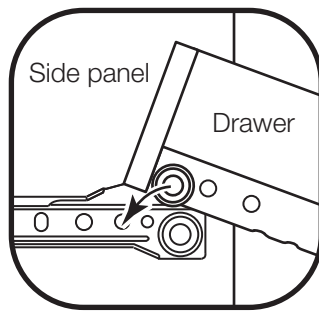


Assembly Instructions

Step 27

Fit the drawers


Slide the wheels of the runners fitted to the drawers, over the wheels of the runners fitted to the side panels and push the drawers into position.



Assembly Instructions

Step 28

Fit the overbalance protector kit

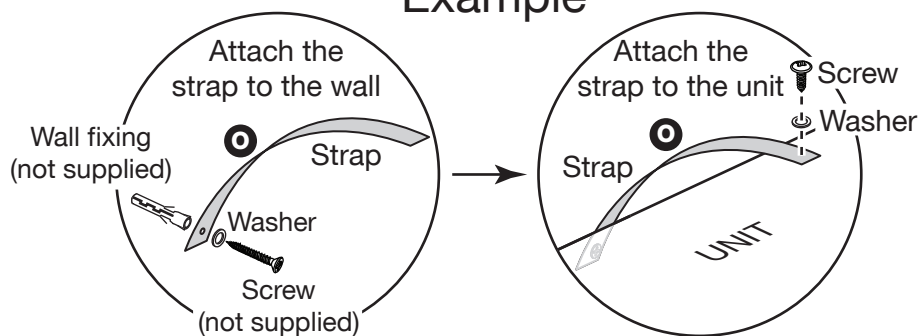
To prevent possible overbalancing we recommend that this unit is secured to a suitable wall by fitting of the overbalance protector kit  to the unit, or an alternative fixing method of your choice.

Wall fixings are not supplied as they will need to suit the wall type.

Note: Take care when drilling the wall that you do not drill into any pipes, wires etc. If in doubt, consult an expert.

Assembly is complete

Example



If you need help or have damaged or missing parts, call the **Customer Helpline: 03456 400800** and quote the reference numbers on the component pages.

Argos Ltd, 489-499 Avebury Boulevard, Central Milton Keynes, MK9 2NW