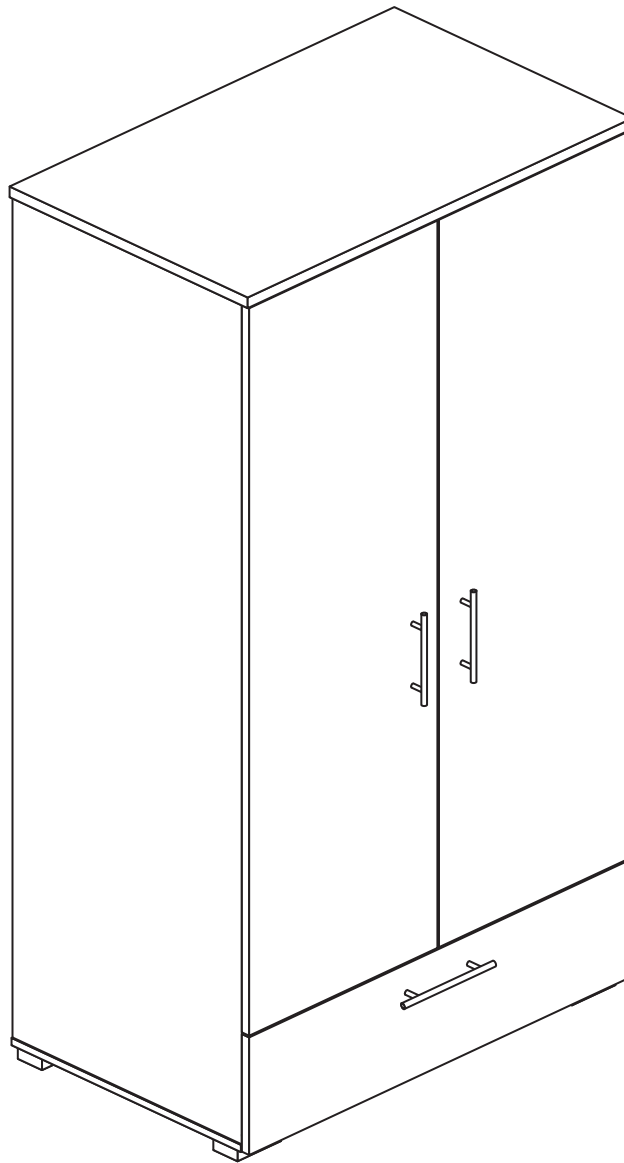


# Malvern - 1 Drawer 2 Door Robe

Assembly Instructions - Please keep for future reference

390/9641

392/1131



## Dimensions

Width - 79.5cm

Depth - 49.5cm

Height - 180cm



**MADE IN  
BRITAIN**

**Important** - Please read these instructions fully before starting assembly

If you need help or have damaged or missing parts, call the **Customer Helpline: 03456 400800**



# Safety and Care Advice

**Important - Please read these instructions fully before starting assembly**

- **Warning:** This unit weighs approximately 52kgs. Please lift with care.

- Check you have all the components and tools listed on pages 2 and 3.

- Remove all fittings from the plastic bags and separate them into their groups.

- Keep children and animals away from the work area, small parts could choke if swallowed.

- Parts of the assembly will be easier with 2 people.

- Make sure you have enough space to layout the parts before starting.

- Do not stand or put weight on the product, this could cause damage.

- Assemble the item as close to its final position (in the same room) as possible.

- Assemble on a soft level surface to avoid damaging the unit or your floor (use opened out unit carton).



- We do not recommend the use of power drill/drivers **for inserting screws**, as this could damage the unit. Only use hand screwdrivers.

- **Safety note:** It is recommended that this unit is secured to a wall using the overbalance protector kit supplied or, an alternative fixing method of your choice.

- Dispose of all packaging carefully and responsibly.

## Care and maintenance

- Only clean using a damp cloth and mild detergent, do not use bleach or abrasive cleaners.

- From time to time check that there are no loose screws on this unit.

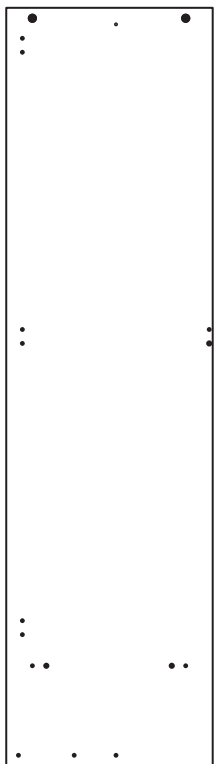
- This product should not be discarded with household waste. Take to your local authority waste disposal centre.

**Note:** If required the next page can be cut out and used as reference throughout the assembly. Keep this page with these instructions for future reference.

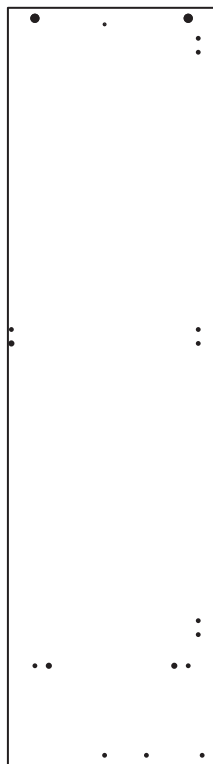
# Components - Panels

If you have damaged or missing components, call the **Customer Helpline: 03456 400800** quoting the reference numbers below

Please check you have all the panels listed below



**1** Left Side (DF100)  
(1739 x 474mm)



**2** Right Side (DF3948)  
(1739 x 474mm)



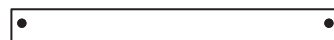
**3** Top (DF103)  
(795 x 492mm)



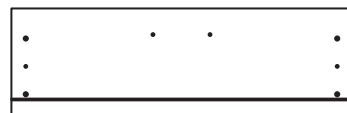
**4** Base (DF102)  
(787 x 474mm)



**5** Shelf (DF107)  
(753 x 473mm)



**6** Cross Rail (DF106)  
(753 x 78mm)



**7** Drawer Front (DF105)  
(778 x 243mm)



**8** Left Drawer Side (W370-165LH)  
(370 x 165mm)



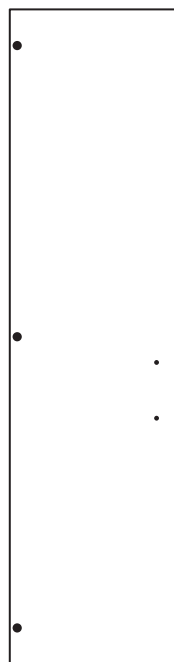
**12** Hanging Rail (FHR745)  
(747mm long)



**9** Right Drawer Side (W370-165RH)  
(370 x 165mm)



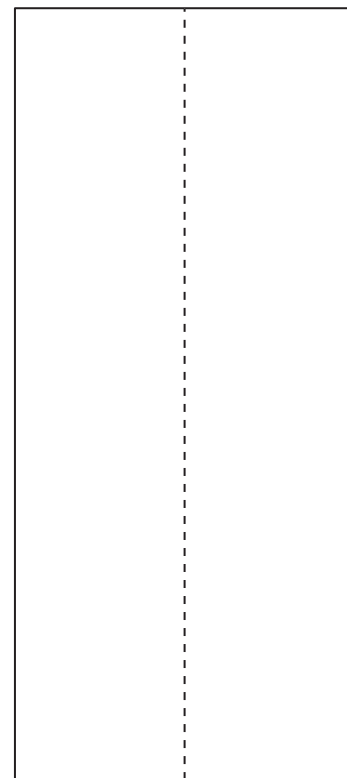
**13** Left Door (DF104)  
(1503 x 387mm)



**14** Right Door (DF3949)  
(1503 x 387mm)



**10** Drawer Back (W702-165)  
(702 x 165mm)



**15** Back (X1772-779)  
(1772 x 779mm)



**11** Drawer Base (T713-367)  
(713 x 367mm)

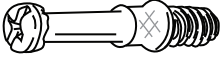










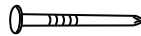
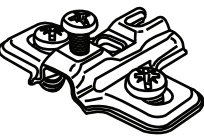
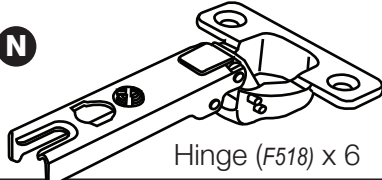
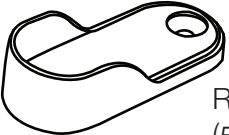

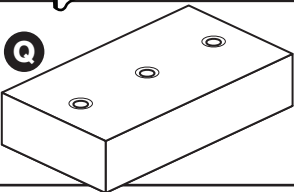
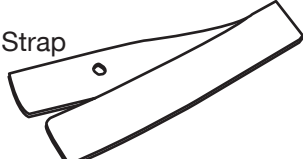




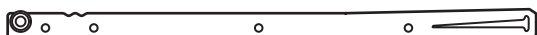



# Components - Fittings

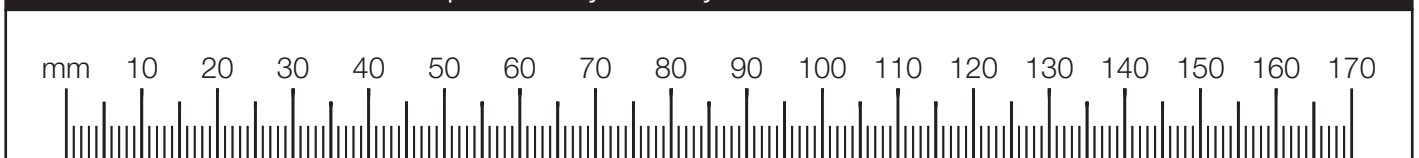
If you have damaged or missing components, call the **Customer Helpline: 03456 400800** quoting the reference numbers below

Please check you have all the fittings listed below

**Note:** The quantities below are the correct amount to complete the assembly. In some cases more fittings may be supplied than are required.

<p><b>A</b> </p> <p>Metal dowel (F901) x 12</p>	<p><b>B</b> </p> <p>Small locking nut (F3) x 2</p>	<p><b>C</b> </p> <p>Large locking nut (F900) x 10</p>
<p><b>D</b> </p> <p>Wooden dowel (F22) x 14</p>	<p><b>E</b> </p> <p>40mm Screw (F910) x 4</p>	<p><b>F</b> </p> <p>38mm Screw (F81) x 8</p>
<p><b>G</b> </p> <p>19mm Screw (F461) x 6</p>	<p><b>H</b> </p> <p>13mm Screw (F63) x 22</p>	<p><b>I</b> </p> <p>9mm Screw (F73) x 6</p>
<p><b>J</b> </p> <p>Knock-in Peg (F171GY) x 4</p>	<p><b>K</b> </p> <p>Wedgex (F639) x 4</p>	<p><b>L</b> </p> <p>Nail (F51) x 34</p>
<p><b>M</b> </p> <p>Hinge plate (F523) x 6</p>	<p><b>N</b> </p> <p>Hinge (F518) x 6</p>	<p><b>O</b> </p> <p>Rail Holder (F891) x 2</p>
<p><b>P</b> </p> <p>Handle (FBARHANDLE) x 3</p>	<p><b>Q</b> </p> <p>Foot (F233) x 4</p>	<p><b>R</b> </p> <p>Strap</p> <p> Screw  Washer x 2</p> <p>Overbalance protector kit (F269) x 1</p>
<p><b>S a</b>  L Runner (F159) x 1 ← 350mm long →</p> <p><b>S b</b>  R Runner (F160) x 1</p> <p><b>S c</b>  L Runner (F161) x 1</p> <p><b>S d</b>  R Runner (F162) x 1</p>		

Ruler - Use this ruler to help correctly identify the screws





# Assembly Instructions

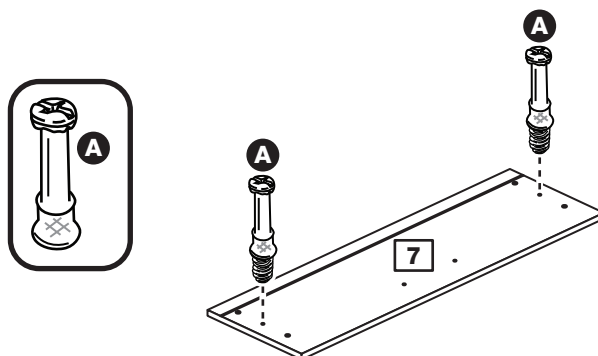
If you have damaged or missing components, call the  
**Customer Helpline: 03456 400800** quoting the reference  
numbers below

## Step 1

### Prepare the drawer front

Screw 2 metal dowels **A** into the drawer front **7**.

**Note:** Tighten the metal dowels up fully against the panels.

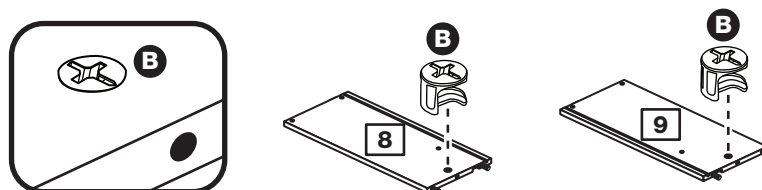


## Step 2

### Prepare the drawer sides

Insert a small locking nut **B** into the hole shown on the left drawer side **8** and the right drawer side **9**.

**Note:** The arrow on the locking nut **must** point towards the hole in the edge of the panel.



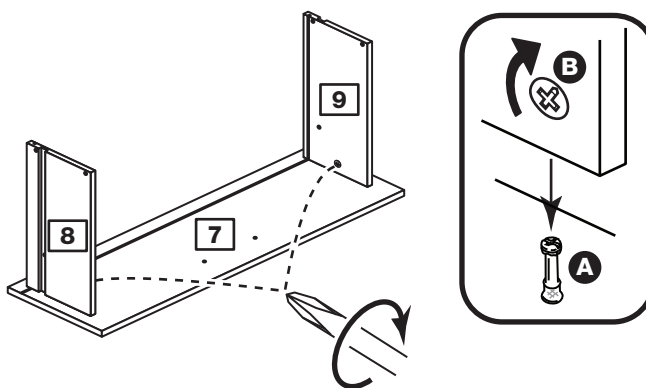
## Step 3

### Attach the drawer sides to the drawer front

Push the left drawer side **8** and right drawer side **9** onto the back of the drawer front **7**.

Turn the small locking nuts **B** on the left drawer side **8** and right drawer side **9**.

**Note:** Turn the locking nuts **B** clockwise to secure panels - more than 1/2 a turn.

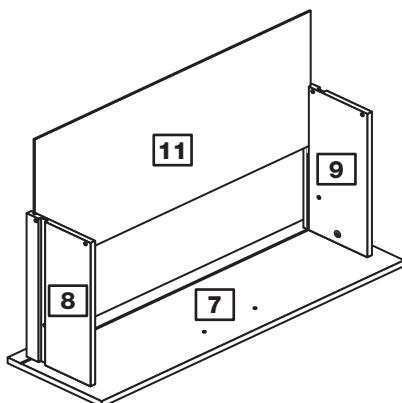


# Assembly Instructions

## Step 4

### Fit the drawer base

Slide the drawer base **11** down the grooves in the drawer sides **8** and **9** and down into the groove in the drawer front **7**.

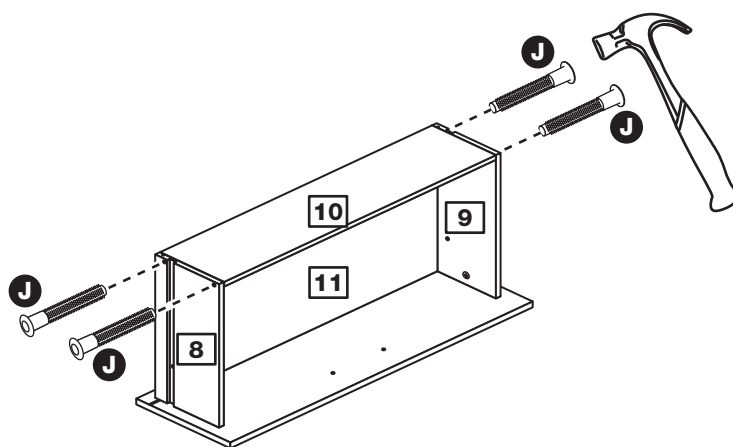


## Step 5

### Fit the drawer back

Fit the drawer back **10** between the drawer sides **8** and **9**. Make sure that the drawer base **11** fits into the groove in the drawer back **10**.

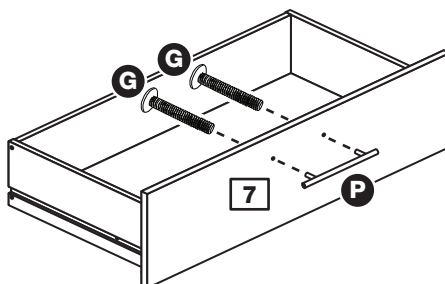
Hold the drawer back **10** in position and tap the knock-in pegs **J** through the holes in the drawer sides **8** and **9**.



## Step 6

### Attach the handle

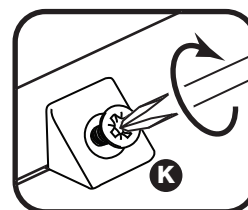
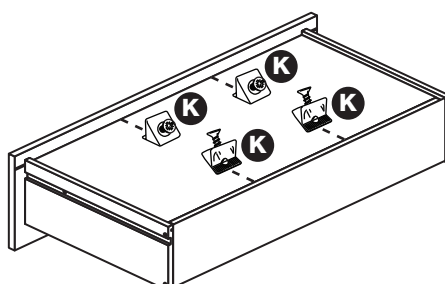
Attach the handle **P** to the drawer front **7** using screws **G**.



## Step 7

### Fit the wedgfixes

Turn the drawer assembly over and slide 4 wedgfixes **K** into the front and back grooves, as shown, and tighten up the screws.



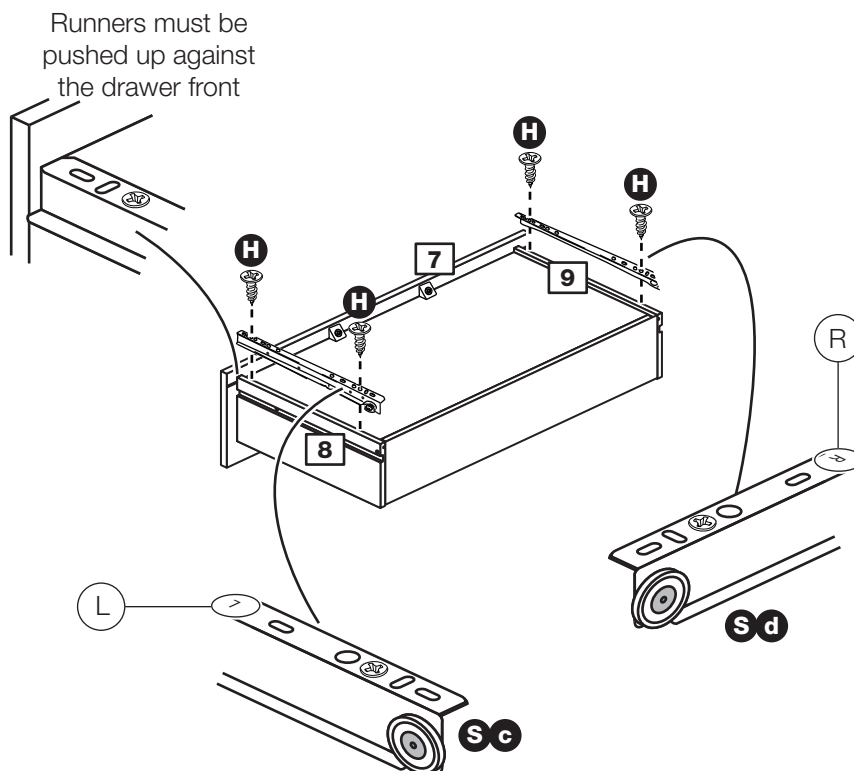
# Assembly Instructions

## Step 8

### Fit the runners

Fit a runner **Sd**, marked with 'R', to the bottom edge of the right drawer side **9**, as shown, making sure that it is pushed up against the back of the drawer front **7**. Use a bradawl to mark the fixing positions, then secure with 2 screws **H**.

Fit runner **Sc**, marked 'L', to the bottom edge of the left drawer side **8** using the same method.



## Step 9

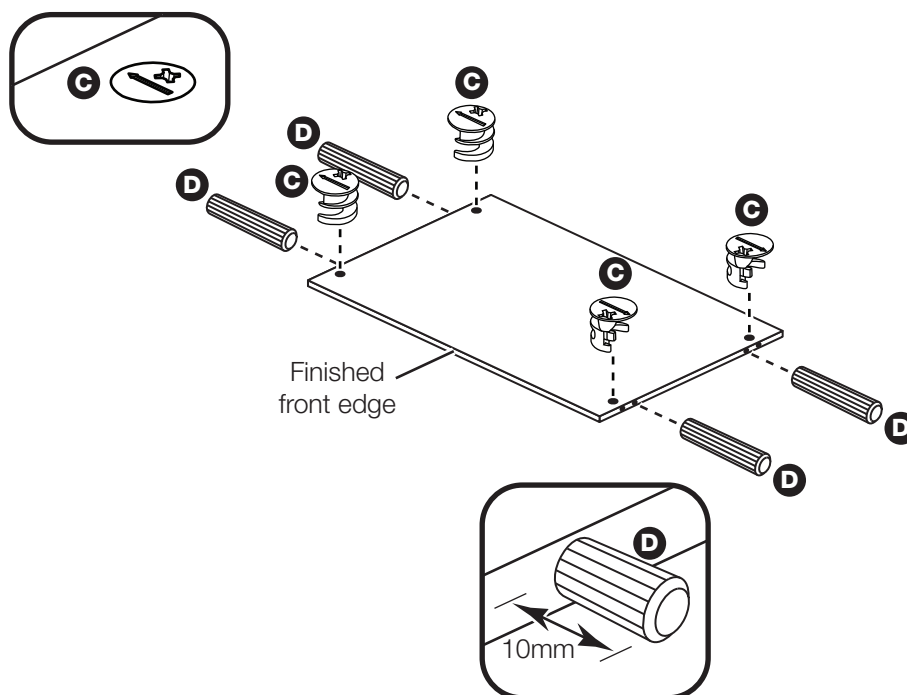
### Prepare the shelf

Tap 4 wooden dowel **D** into the shelf **5**.

**Note:** Wooden dowels **must not** stick out from the edge by more than 10mm or they may damage other panels.

Insert 4 large locking nuts **C** into the shelf **5**.

**Note:** The arrow on the locking nut **must** point towards the hole in the edge of the panel.



# Assembly Instructions

## Step 10

### Prepare the left side

**a:** Fit a runner **Sa** to the left side **1**.

The 1st screw **I** uses the 1st hole in from the front of the runner.

The 2nd and 3rd screws **I** use the holes that line up with the other panel holes.

Fit 3 hinge plates **M** onto the left side **1**, making sure that the slot is facing towards the finished front edge.

To fit the rail holder **O**, screw through the top hole with screw **H** and into the mark hole drilled in the left side **1**. Make sure that it is fitted straight, in line with the panel edges and then fit another screw **H** using the lower hole.

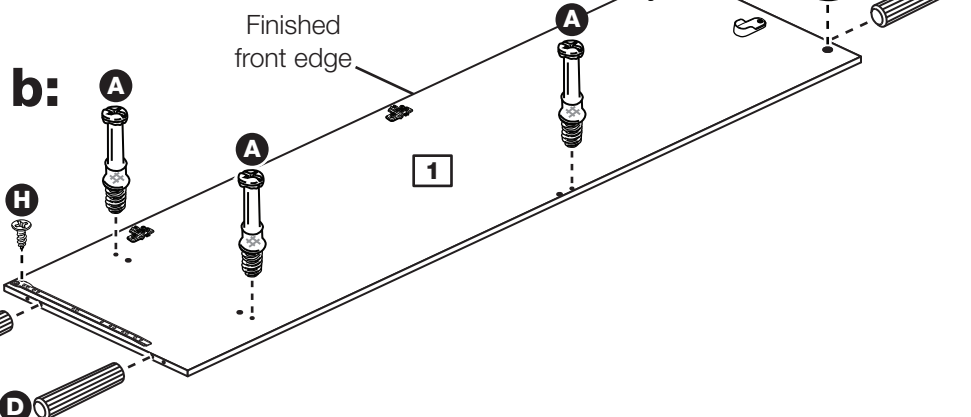
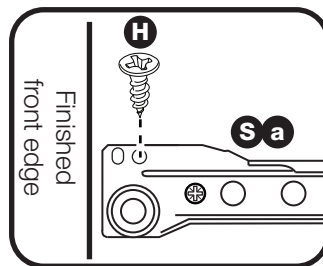
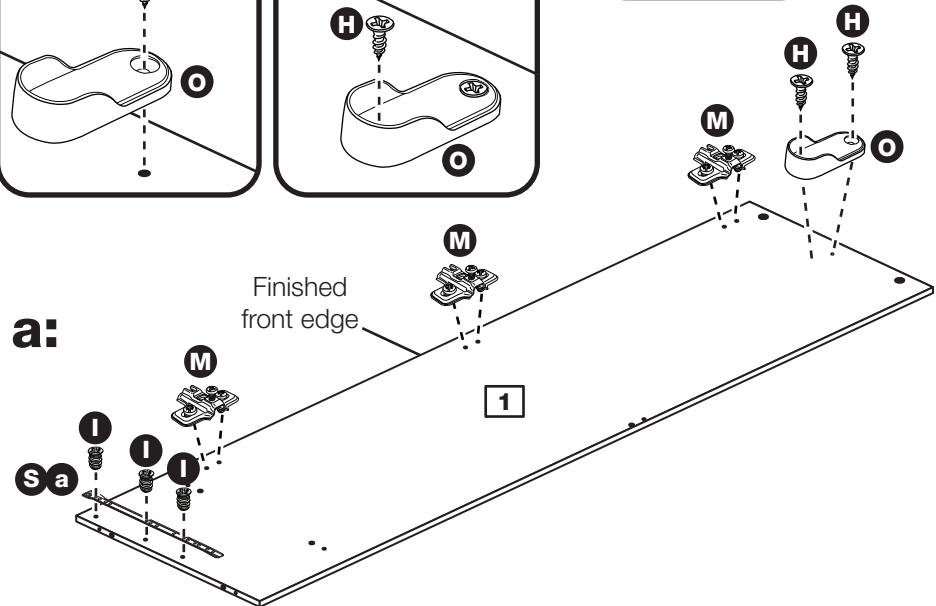
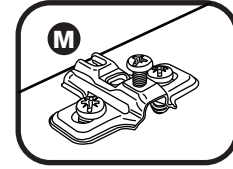
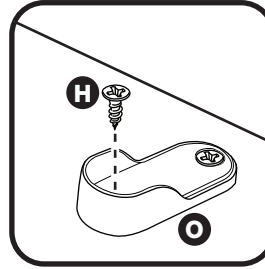
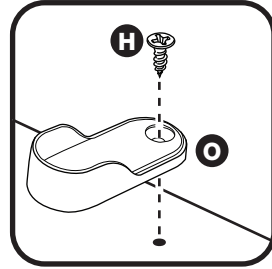
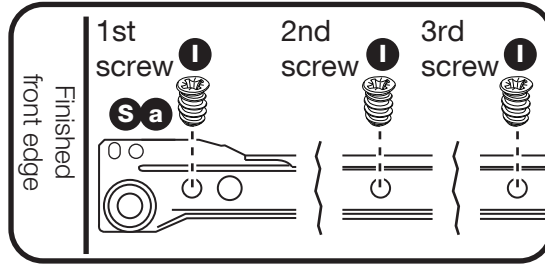
**b:** Fit a screw **H** into the 2nd hole in at the top of the runner **Sa**.

Insert 2 large locking nuts **C** into the left side **1**.

**Note:** The arrow on the locking nut **must** point towards the hole in the edge of the panel.

Tap 4 wooden dowels **D** into the left side **1**.

Screw 3 metal dowels **A** into the left side **1**.



# Assembly Instructions

## Step 11

### Prepare the right side

**a:** Fit a runner **S b** to the right side **2**.

The 1st screw **I** uses the 1st hole in from the front of the runner.

The 2nd and 3rd screws **I** use the holes that line up with the other panel holes.

Fit 3 hinge plates **M** onto the right side **2**, making sure that the slot is facing towards the finished front edge.

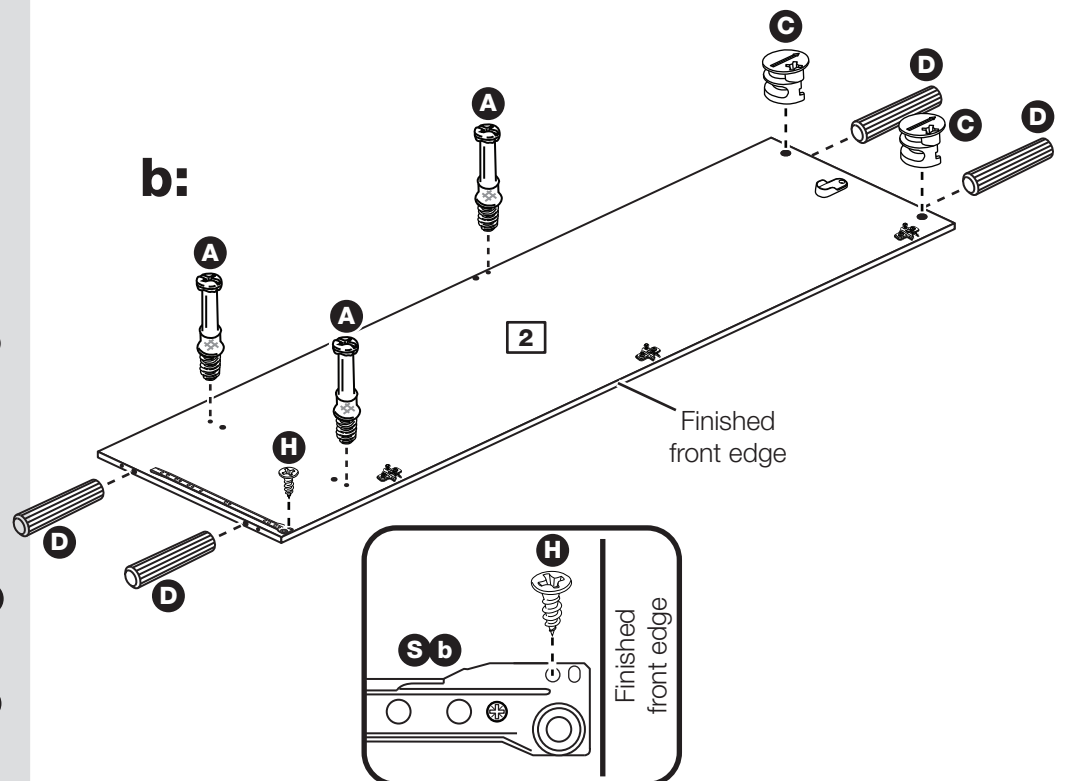
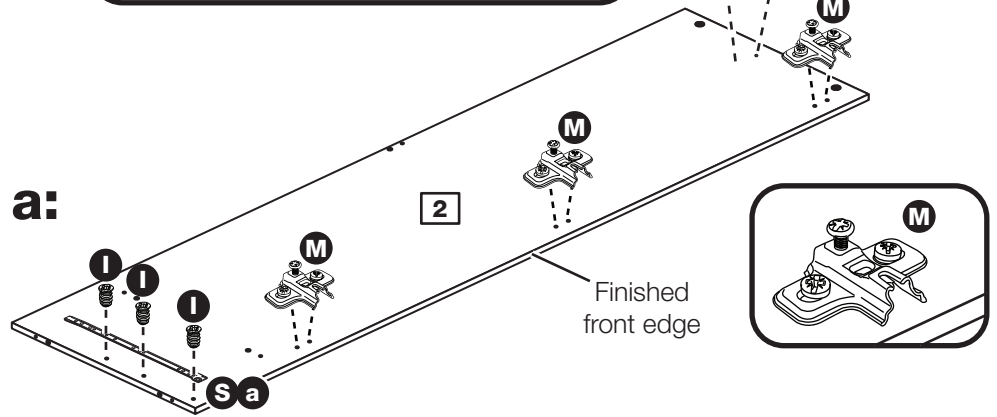
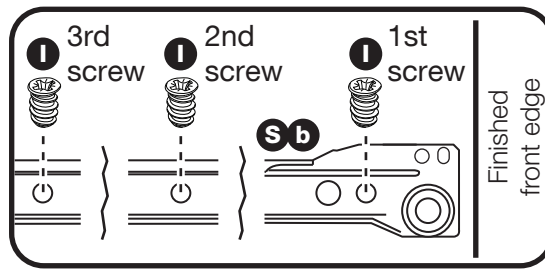
To fit the rail holder **O**, screw through the top hole with screw **H** and into the mark hole drilled in the right side **2**. Make sure that it is fitted straight, in line with the panel edges and then fit another screw **H** using the lower hole.

**b:** Fit a screw **H** into the 2nd hole in at the top of the runner **S b**.

Insert 2 large locking nuts **C** into the right side **2**.

Tap 4 wooden dowels **D** into the right side **2**.

Screw 3 metal dowels **A** into the right side **2**.



# Assembly Instructions

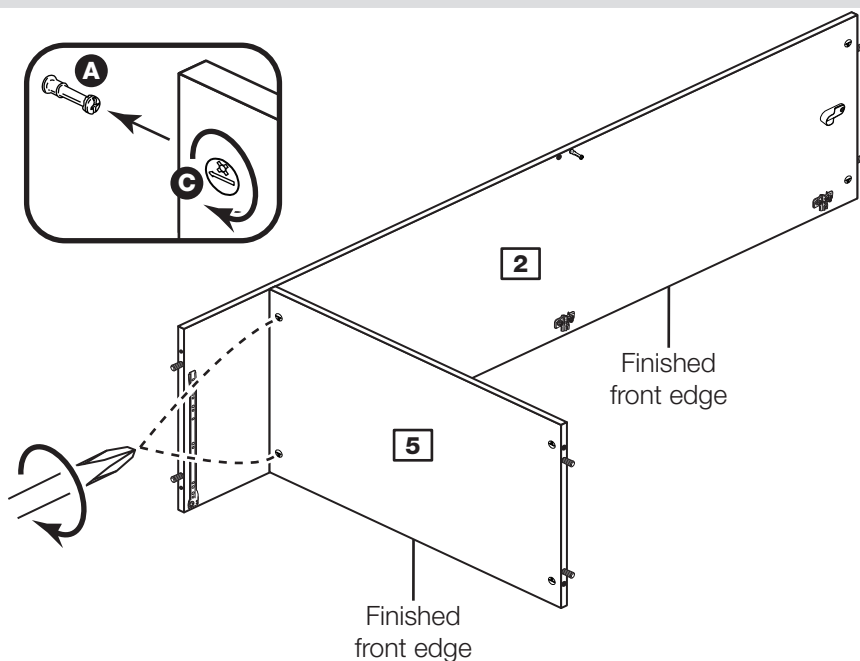
## Step 12

### Fit the shelf to the right side

Push the shelf **5** onto the right side **2**.

Use a screwdriver to tighten the 2 large locking nuts **C** fitted to the shelf **5**.

**Note:** Turn the large locking nuts **C** as far as they will go - more than 1/2 a turn.

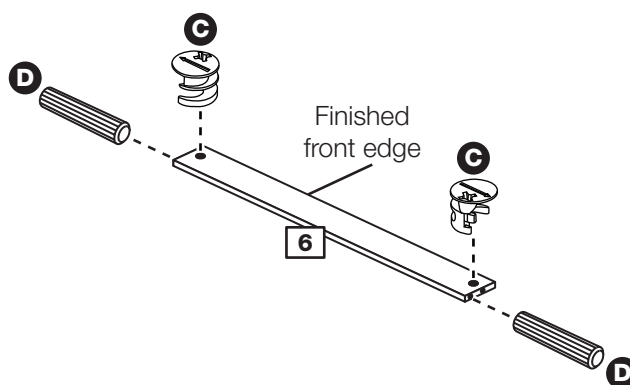


## Step 13

### Prepare the cross rail

Tap 2 wooden dowels **D** into the cross rail **6**.

Insert 2 large locking nuts **C** into the back rail **6**.

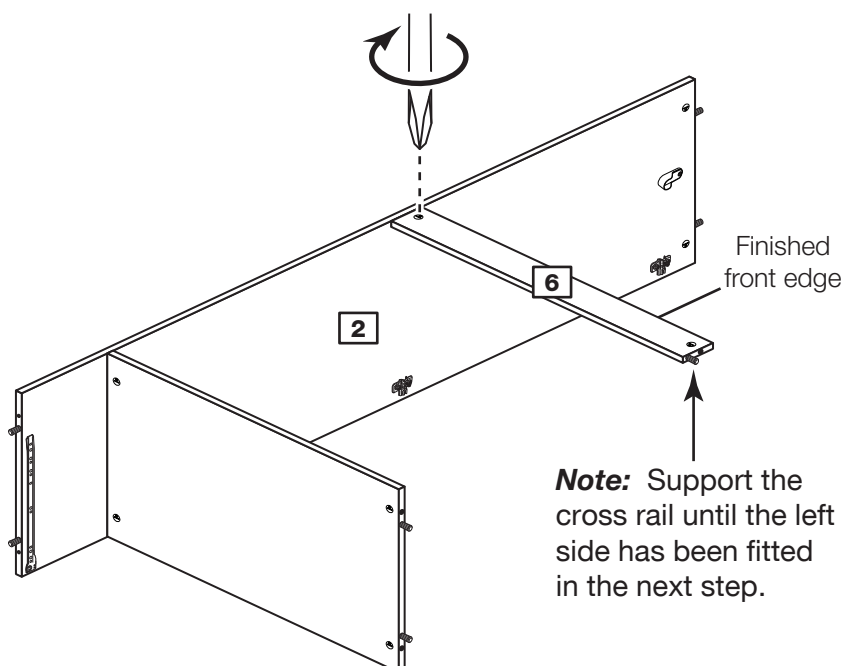


## Step 14

### Fit the cross rail

Push the cross rail **6** onto the right side **2**.

Use a screwdriver to tighten the large locking nut **C** fitted to the cross rail **6**.



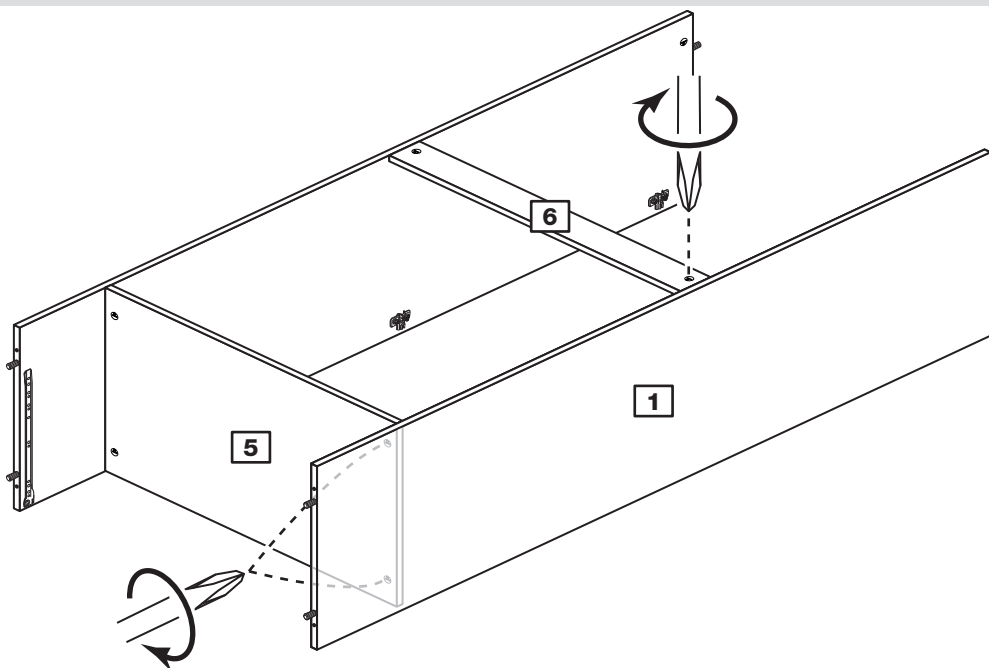
# Assembly Instructions

## Step 15

### Fit the left side

Push the left side **1** onto the assembly.

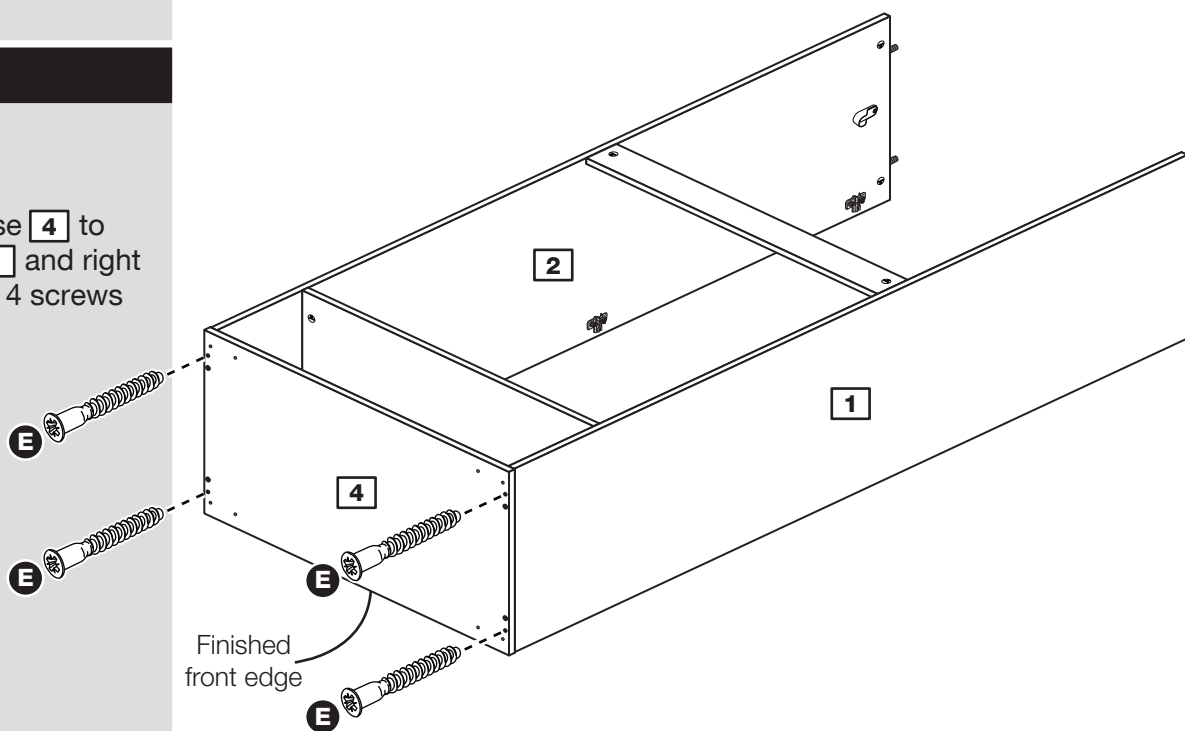
Use a screwdriver to tighten the 3 large locking nuts **C** fitted to the shelf **5** and the cross rail **6**.



## Step 16

### Fit the base

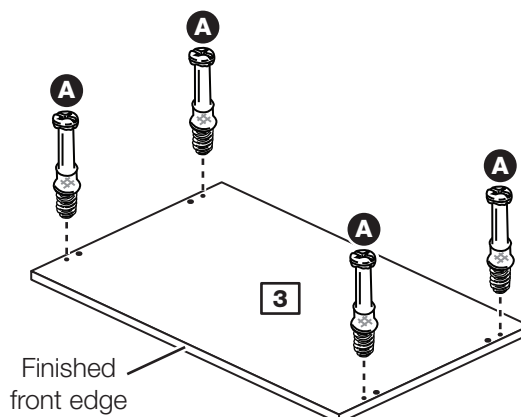
Attach the base **4** to the left side **1** and right side **2** using 4 screws **E**.



## Step 17

### Prepare the top

Screw 4 metal dowels **A** into the top **3**.



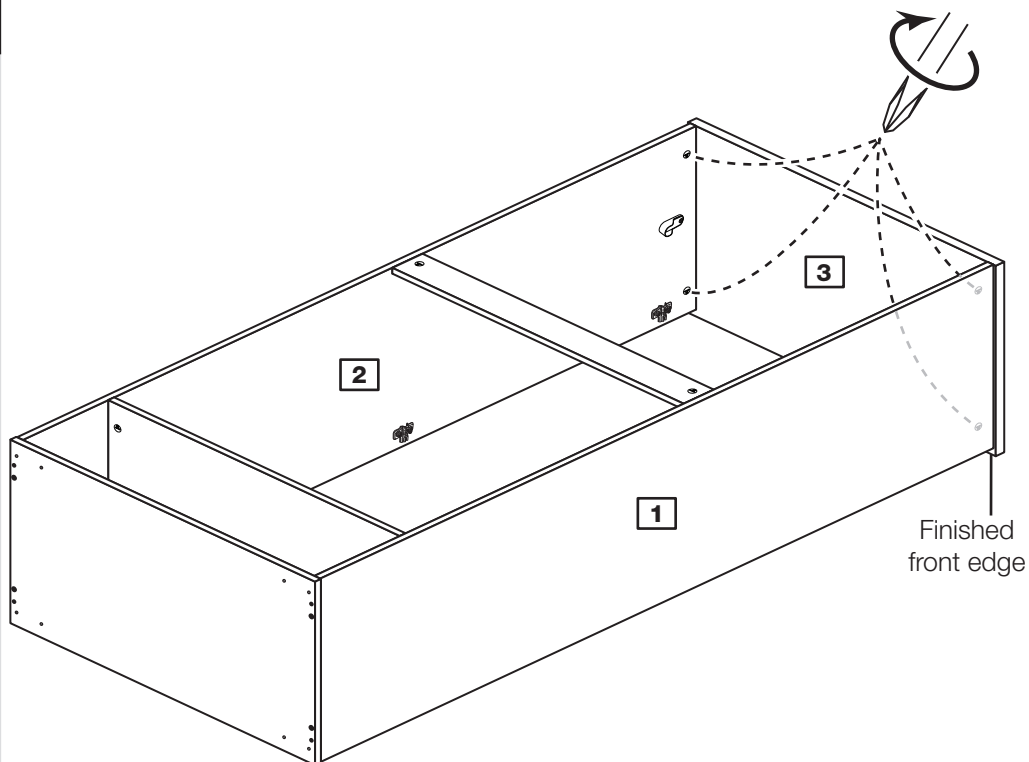
# Assembly Instructions

## Step 18

### Fit the top

Push the top **3** onto the assembly.

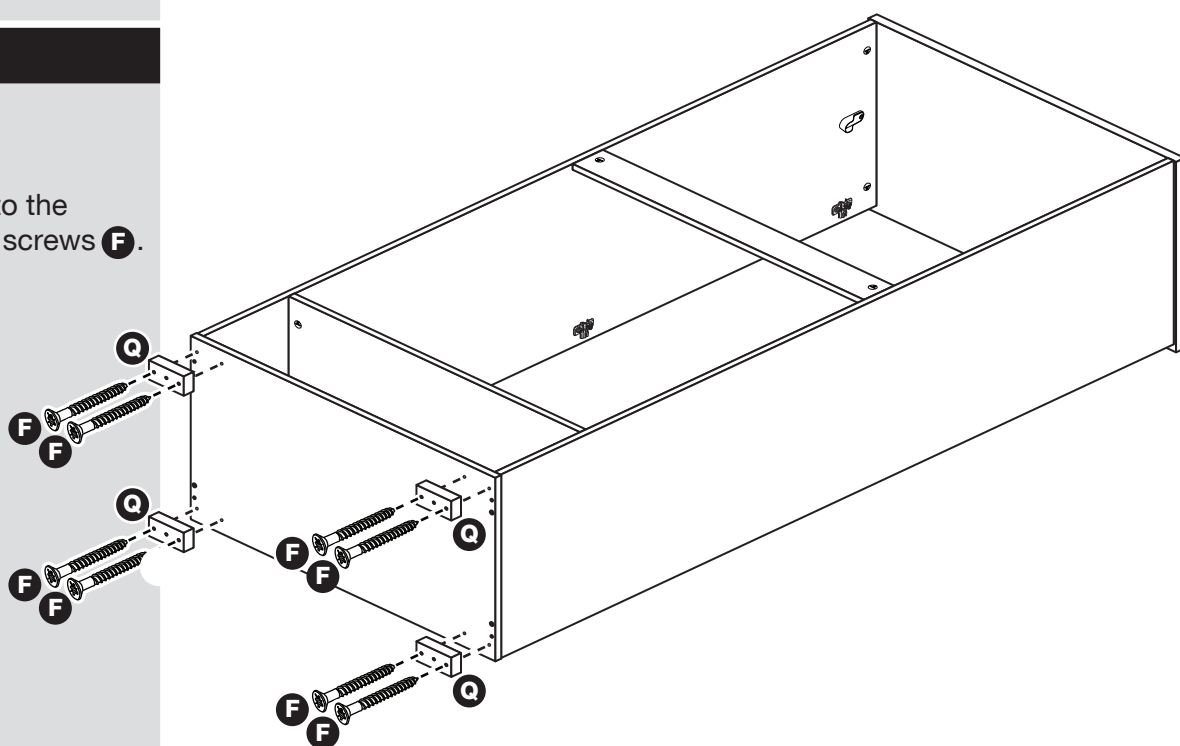
Use a screwdriver to tighten the 4 large locking nuts **C** fitted to the left side **1** and right side **2**.



## Step 19

### Fit the feet

Fit the feet **Q** to the base **4** using screws **F**.





# Assembly Instructions

## Step 20

### Fit the back

**a:** Square up the unit by making sure that measurement **x** to **x** equals **y** to **y**.

**b:** Place the back **15** onto the unit.

Nail **L** around the outside edges of the back **15**.

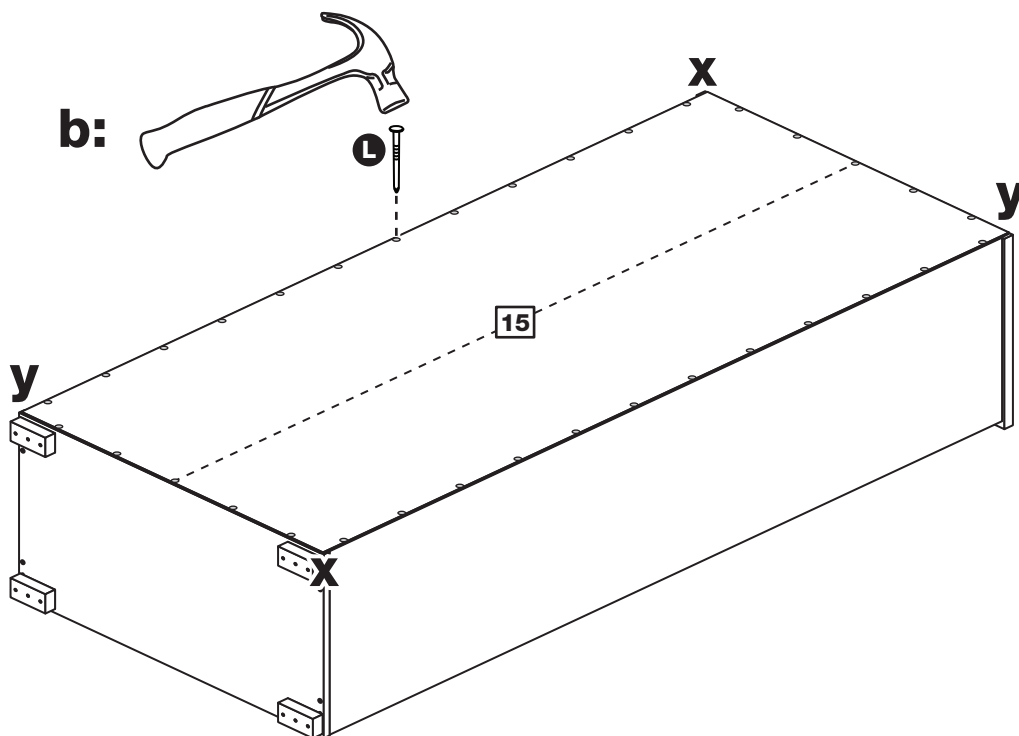
**Note:** Nails should be spaced about 150mm apart.

**Stand the unit up for the next step.**



**Warning:** The unit is heavy. Lift with care.

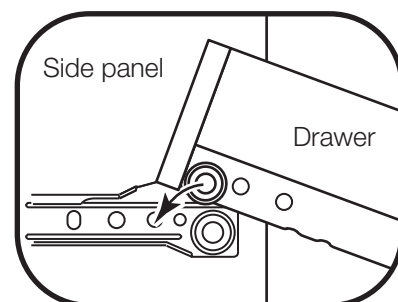
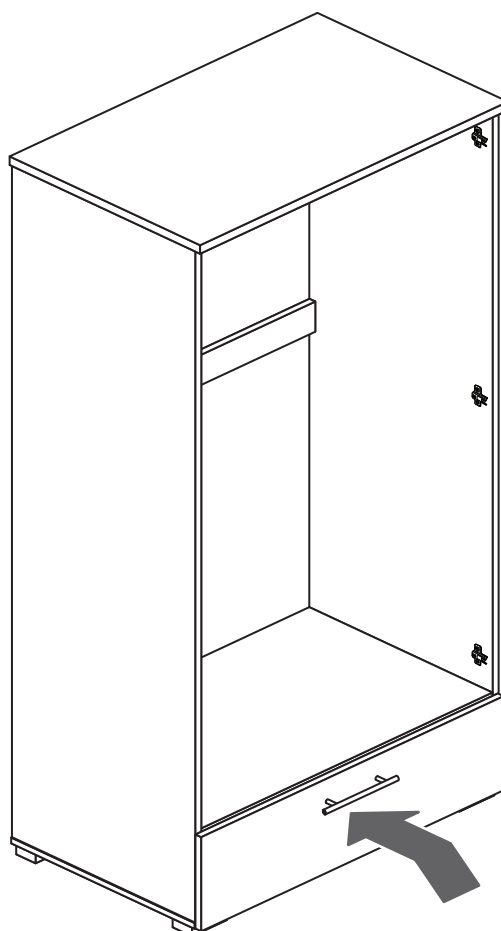
**a:** The measurement from top corner X to bottom corner X must be equal to the measurement from top corner Y to bottom corner Y



## Step 21

### Fit the drawer

Slide the wheels of the runners fitted to the drawers, over the wheels of the runners fitted to the side panels and push the drawers into position.

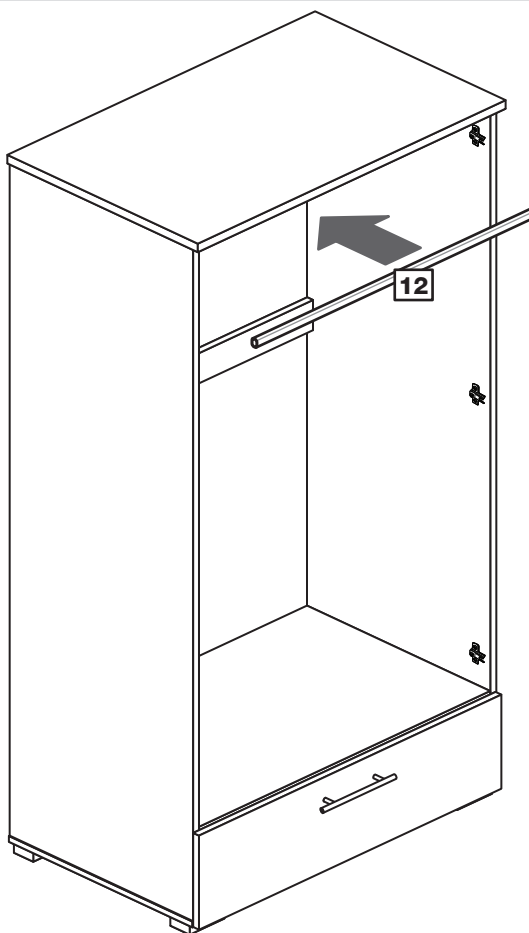
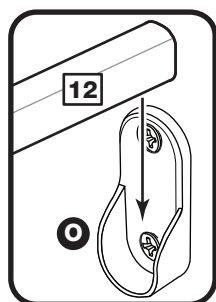


# Assembly Instructions

## Step 22

### Fit the hanging rail

Push the hanging rail **12** into the rail holders **O** fitted to the side panels.



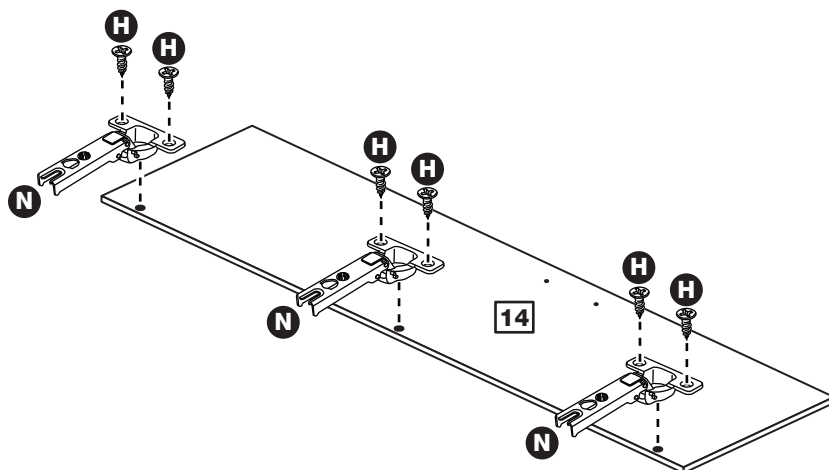
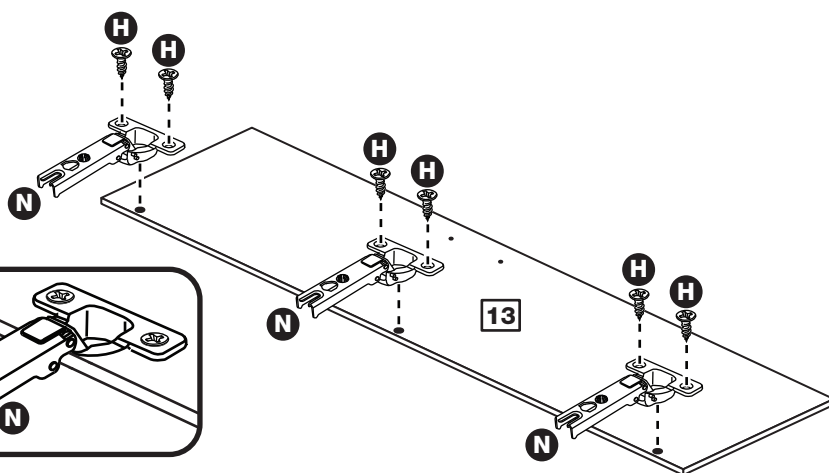
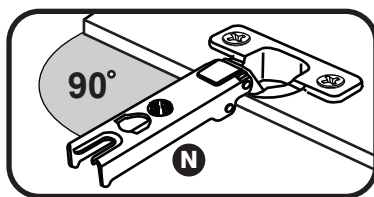
## Step 23

### Prepare the 2 doors

Push fit 3 hinges **N** into each of the doors **13** and **14**.

Secure each hinge with 2 screws **H**.

**Note:** Before securing with the screws, make sure that the hinges are positioned at 90 degrees with the edge of the



# Assembly Instructions

## Step 24

### Fit doors and handles

**Note:** The easiest way to attach each door **13** and **14** is to fit the top hinge first, then align and fit the other hinges.

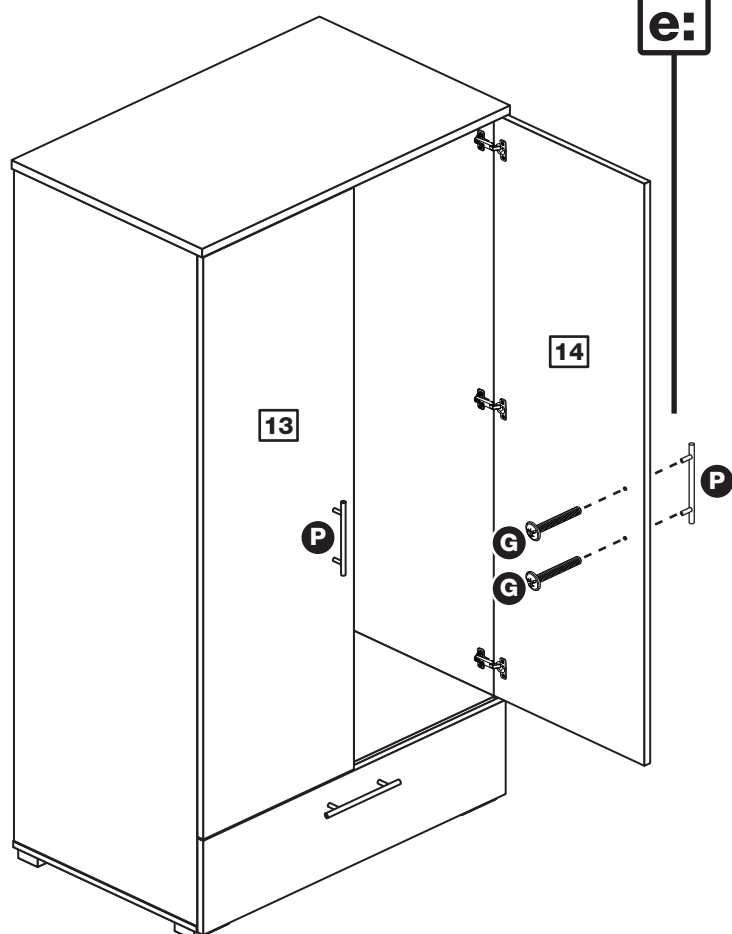
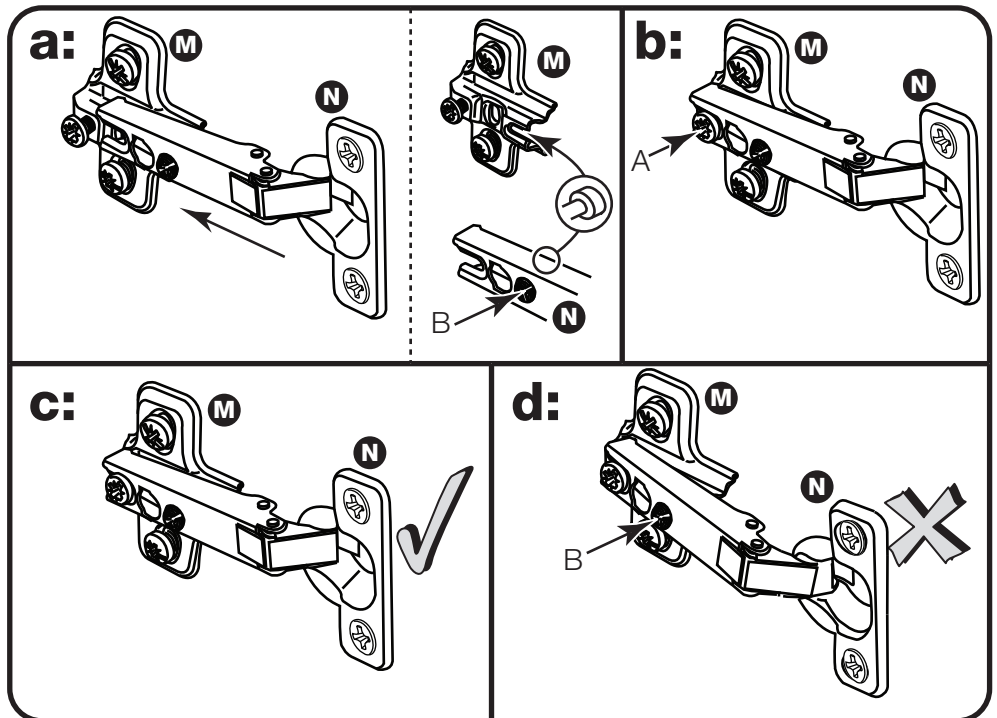
**a:** Push the hinge **N** onto the front part of the hinge plate **M**. The recess at the bottom of screw B goes into the slot in the hinge plate.

**b:** Keep the hinge **N** FLAT against the hinge plate **M** as you slide it across as far as it will go. Tighten screw A.

**c:** The hinge **N** must be flat against the hinge plate **M** prior to any adjustment.

**d:** The hinge **N** must NOT be AT AN ANGLE to the hinge plate **M** when assembled. This would indicate that the recess at the bottom of screw B had not located in the slot in the hinge plate and the hinge would not be secure. Remove the hinge from the hinge plate and then re-assemble being careful to follow instructions a-c.

**e:** Attach a handle **P** to each door **13** and **14** using screws **G**.



# Assembly Instructions

## Step 25

### Adjust the doors if needed

**a:** Before adjusting the doors, use a spirit level to check the base (or top) of the unit is level, front-to-back and side-to-side in the 3 positions shown. Use suitable packing pieces (not supplied) to make the unit level BEFORE making any adjustment to the hinges, as shown.

### **b:** Height adjustment.

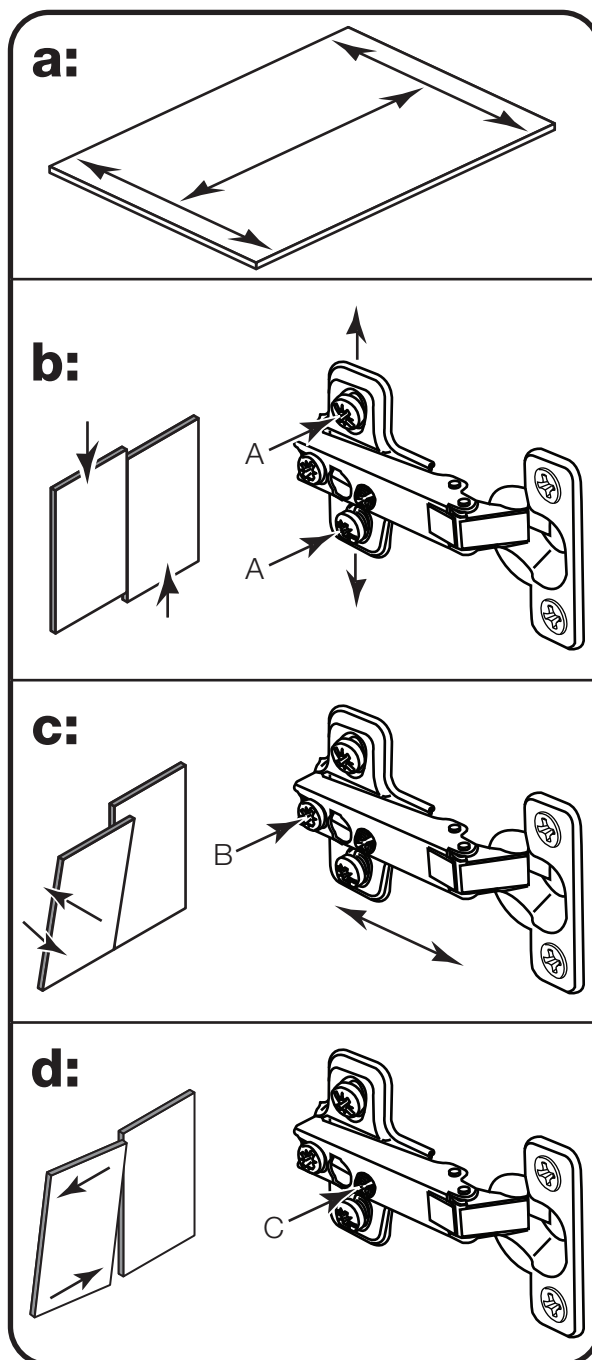
Loosen screws A on hinge plates and move door up or down as required. Retighten screw A.

### **c:** Forward and Back adjustment.

Loosen screw B on hinge plate and move door in or out as required. Retighten screw B.

### **d:** Sideways adjustment.

To move door 'out' loosen screw C. To move door 'in' tighten screw C.



# Assembly Instructions

## Step 26

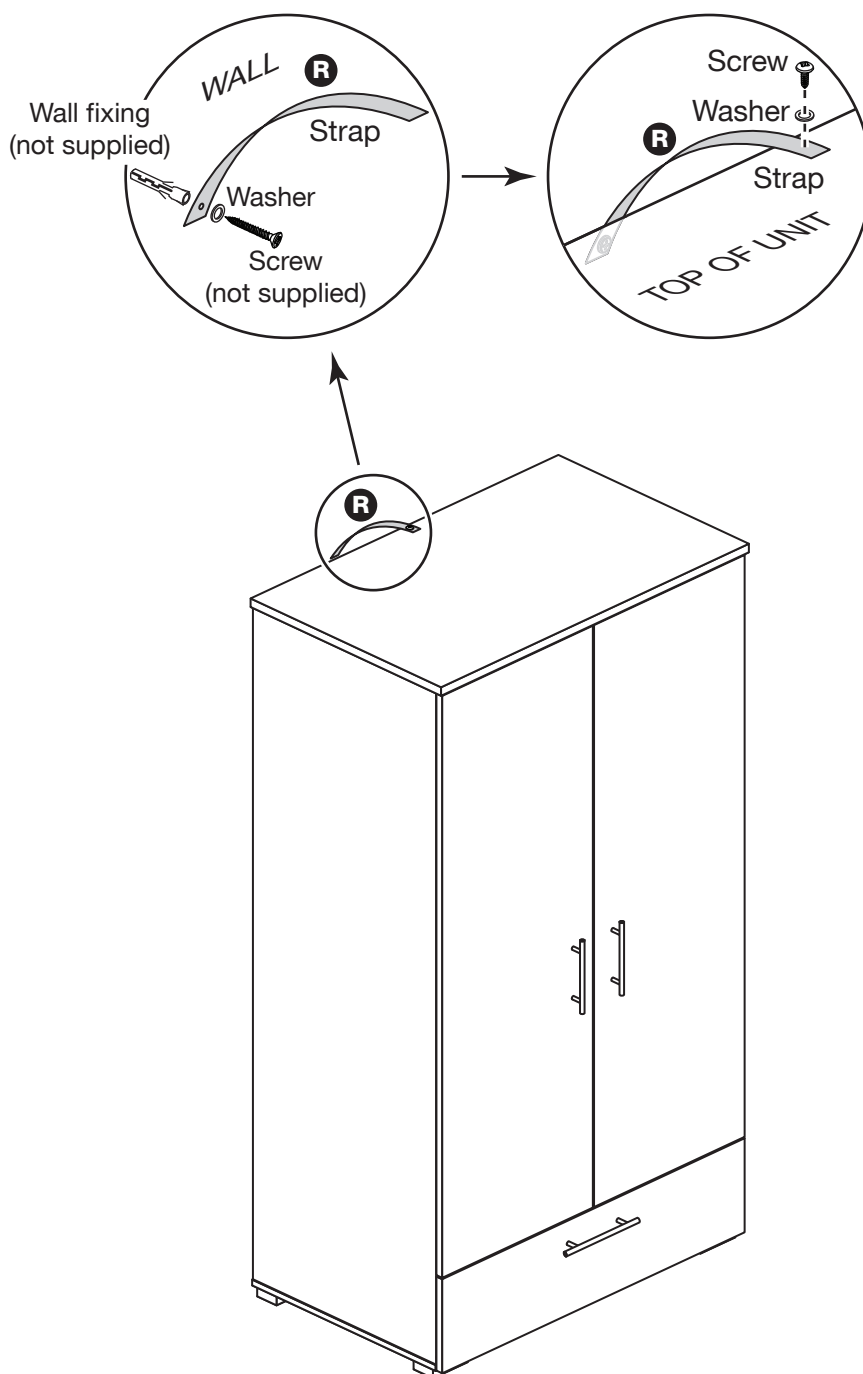
### Fit the overbalance protector

To prevent possible overbalancing we recommend that this unit is secured to a suitable wall by fitting of the overbalance protector kit **(R)** to the unit, or an alternative fixing method of your choice.

Wall fixings are not supplied as they will need to suit the wall type.

**Note:** Take care when drilling the wall that you do not drill into any pipes, wires etc. If in doubt, consult an expert.

**Assembly is complete**



If you need help or have damaged or missing parts, call the Customer Helpline: 03456 400800 and quote the reference numbers on the component pages.

Argos Ltd, 489-499 Avebury Boulevard, Central Milton Keynes, MK9 2NW





