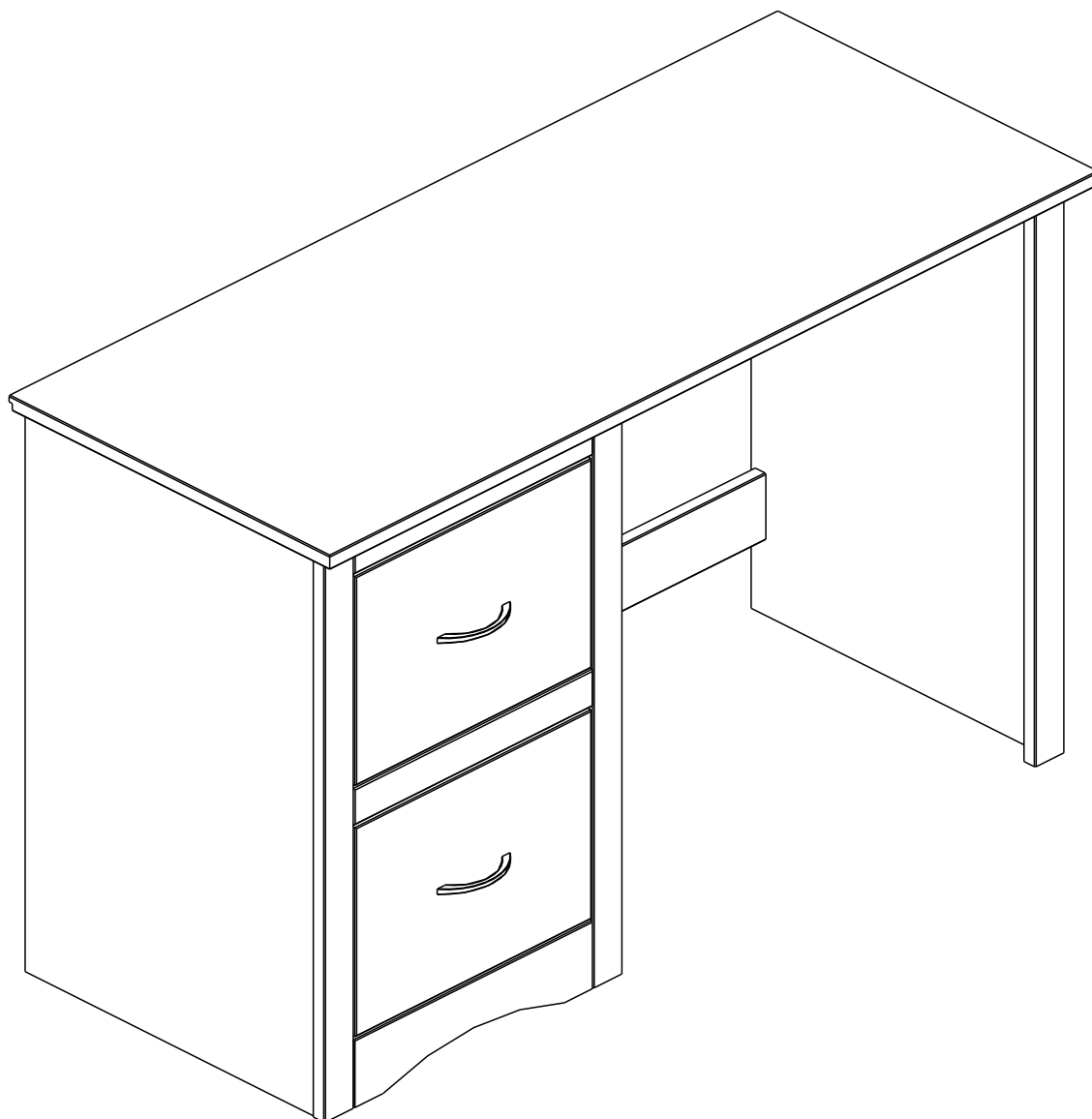


Chester - Solid Pine Desk

Assembly Instructions- Please keep for future reference

389/6400

418/8124



Dimensions

Width - 120cm

Depth - 50cm

Height - 74,3cm

Important – Please read these instructions fully before starting assembly

If you need help or have damaged or missing parts, call the **Customer Helpline: 03456 400 800.**



Safety and Care Advice

Important – Please read these instructions fully before starting assembly

- Check you have all the components and tools listed on pages 2 and 3.
- Remove all fittings from the plastic bags and separate them into their groups.
- Keep children and animals away from the work area, small parts could choke if swallowed.
- Make sure you have enough space to layout the parts before starting.
- Do not stand or put weight on the product, this could cause damage.
- Assemble the item as close to its final position (in the same room) as possible.
- Assemble on a soft level surface to avoid damaging the unit or your floor.

- This product has been produced from natural timber; you may notice some variation in the grain and colour of different component parts which is normal for furniture produced using natural wood and is not the result of any manufacturing fault.

- The product has been treated with a wax and oil finish to prevent dirt ingress and preserve moisture.

- On unpacking the furniture you may notice an odour due to this treatment; this will disappear once the furniture is unpacked and assembled after a period of time.

- This process may leave some staining on the packaging material; please take care to ensure this does not transfer to clothing or carpeted surfaces during assembly.



- We do not recommend the use of power drill/drivers **for inserting screws**,

as this could damage the unit. Only use hand screwdrivers.

- Parts of the assembly will be easier with 2 people.

- Dispose of all packaging carefully and responsibly.

Care and maintenance

- Use an appropriate furniture polish for natural wood furniture and a dry cloth to clean the product.
- Avoid placing the furniture in direct sunlight as this will cause the timber to prematurely age.

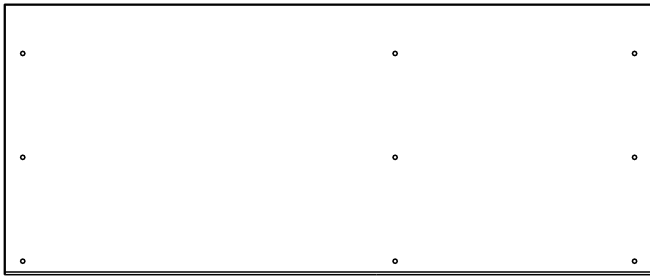
- From time to time check that there are no loose screws on this unit.

- This product should not be discarded with household waste. Take to your local authority waste disposal centre.

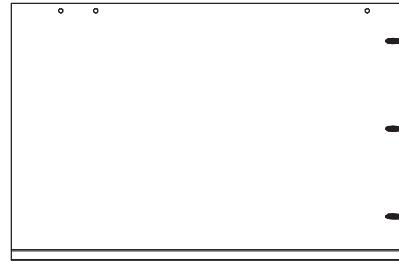
Note: If required the next page can be cut out and used as reference throughout the assembly. Keep this page with these instructions for future reference.

Components - Panels

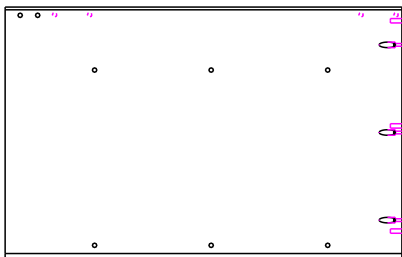
Please check you have all the panels listed below



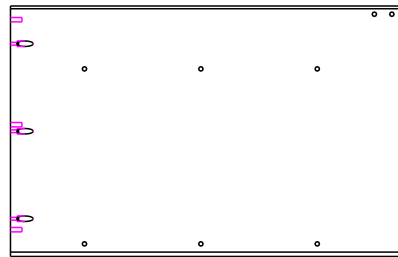
1 Top panel (120 x 50cm)



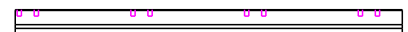
2 Right side panel (72,5 x 46,9cm)



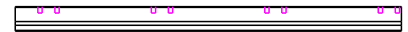
3 Division (72,5 x 45,8cm)



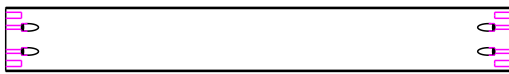
4 Left side panel (72,5 x 45,8cm)



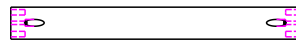
5 Right front frame (72,5 x 4,6cm)



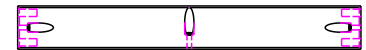
6 Left front frame (72,5 x 4,6cm)



7 Large back rail x2 (67,1 x 8,5cm)



8 Small back rail (42,5 x 4,7cm)



9 Top front frame (37,3 x 4,7cm)



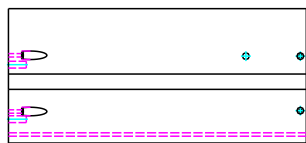
10 Middle front frame (37,3 x 4,7cm)



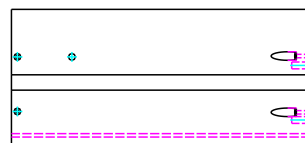
11 Bottom front frame (37,3 x 8,6cm)



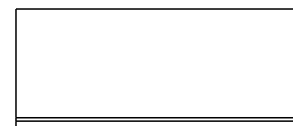
12 Drawer front x2 (36,8 x 26,6cm)



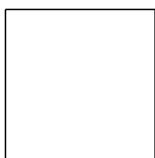
13 Drawer right side x2 (35 x 20 cm)



14 Drawer left side x2 (35 x 20cm)



15 Drawer back x2 (33,3 x 20cm)



16 Drawer bottom x2 (34,7 x 34,3cm)



17 Side drawer runner x4 (34.4 x 3,7cm)



18 Back panel (68,3 x 44,3cm)

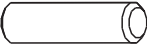




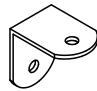



Components - Fittings

If you have damaged or missing components, call the **Customer Helpline: 03456 400 800.**

Please check you have all the fittings listed below

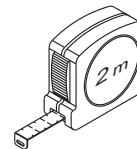
Note: The quantities below are the correct amount to complete the assembly. In some cases more fittings may be supplied than are required.

<p>A </p> <p>Wooden dowel x 57</p>	<p>B </p> <p>30mm Screw x 52</p>	<p>C </p> <p>Drawer handle x 2</p>
<p>D </p> <p>Nail x 20</p>	<p>E </p> <p>22mm Bolt x 4</p>	<p>F </p> <p>Bracket x 6</p>
<p>G </p> <p>16mm Screw x 12</p>		

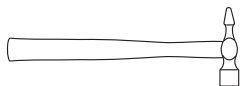
Tools required



Phillips screwdriver
(medium & large)



Ruler/tape
measure



Small
hammer



Eye protection
(when using a
hammer or glue)

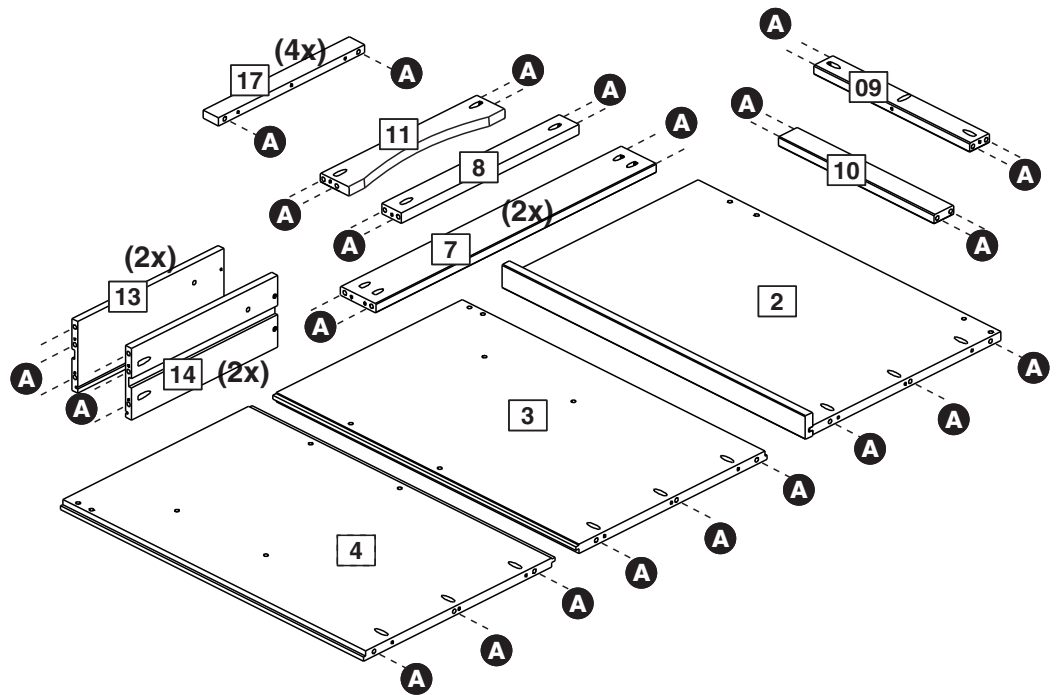
Ruler - Use this ruler to help correctly identify the screws



Assembly Instructions

Step 1

Insert dowels **A** into the indicated parts.



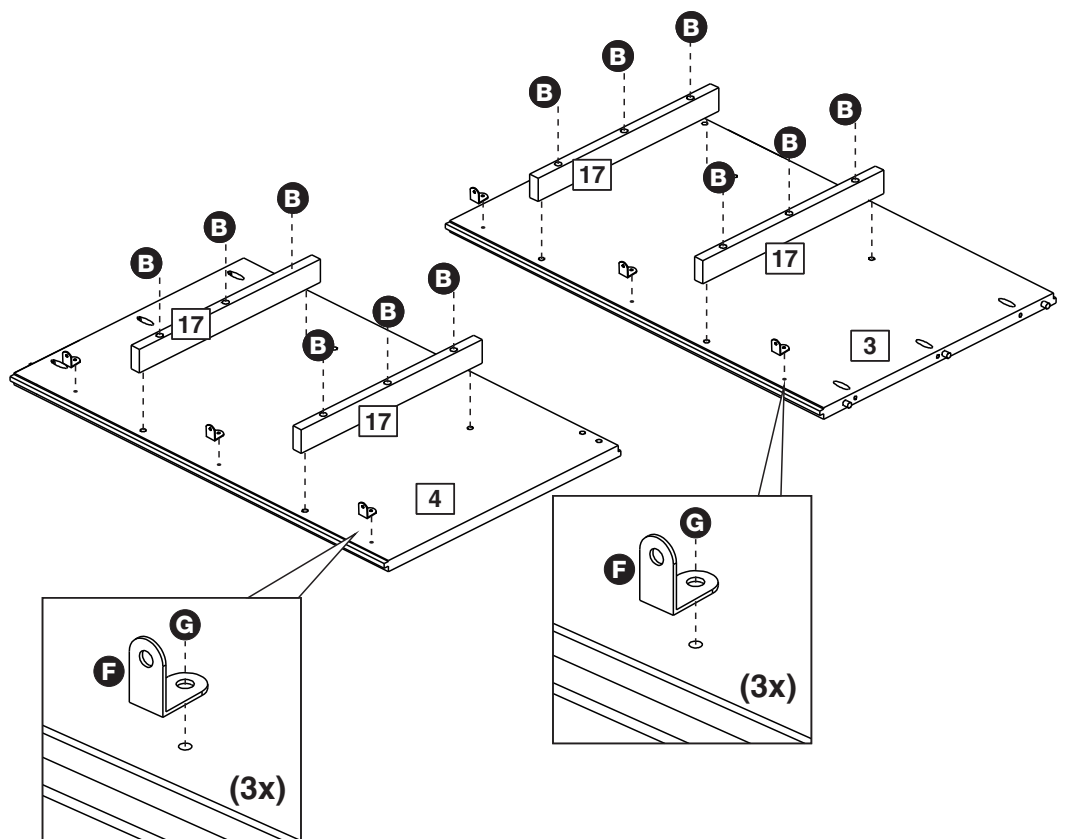
Step 2

Fixing runners.

Attach side drawer runners **17** to division **3** using screws **B**.

Attach side drawer runners **17** to left side panel **4** using screws **B**.

Attach brackets **F** through pre drilled holes on left side panel **4** and division **3** using screws **G** where shown.



Assembly Instructions

Step 3

Fixing left front frame to the left side panel
(Two people required for an easier assembly).

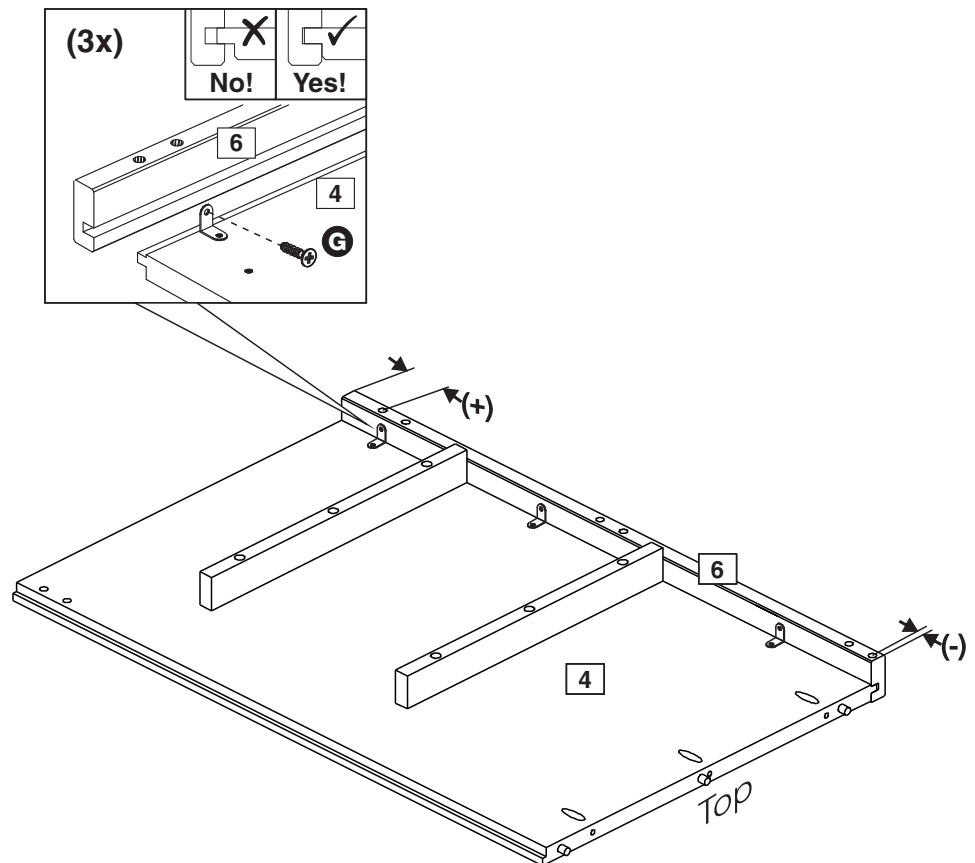
a: Insert left front frame **6** into left side panel **4** through joints.



Note:

Before fixing brackets **F** into place it is important to ensure that the slot and groove of parts **4** and **6** are fully pushed together and lined up correctly at top and bottom.

Fix brackets into front frame using screws **G**.



Step 4

Fixing right front frame to division.

(Two people required for an easier assembly).

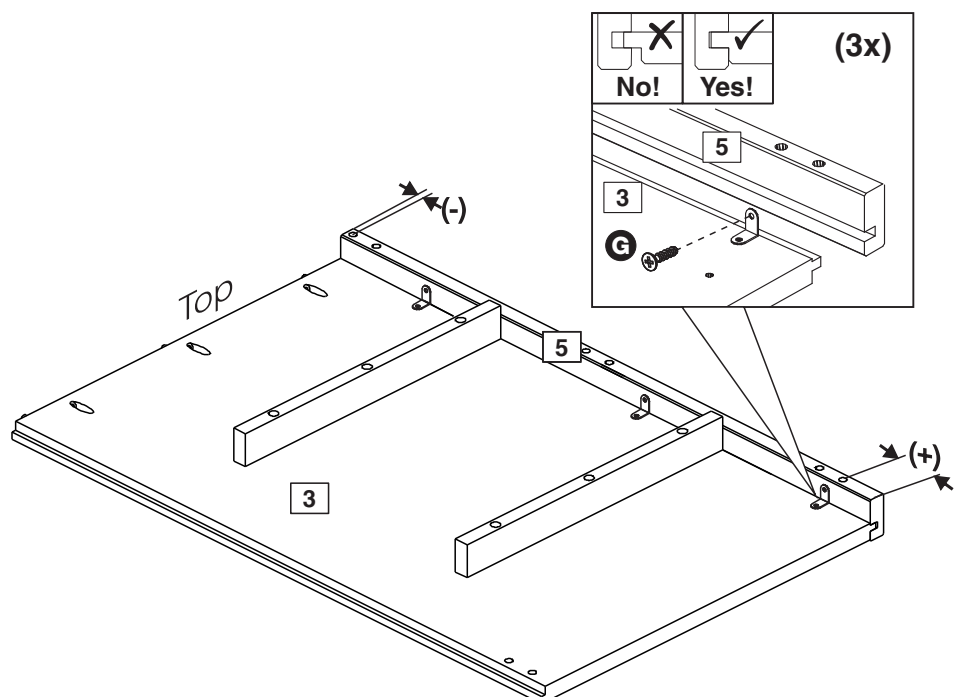
a: Insert right front frame **5** into division **3** through joints.



Note:

Before fixing brackets **F** into place it is important to ensure that the slot and groove of parts **3** and **5** are fully pushed together and lined up correctly at top and bottom.

Fix brackets into front frame using screws **G**.



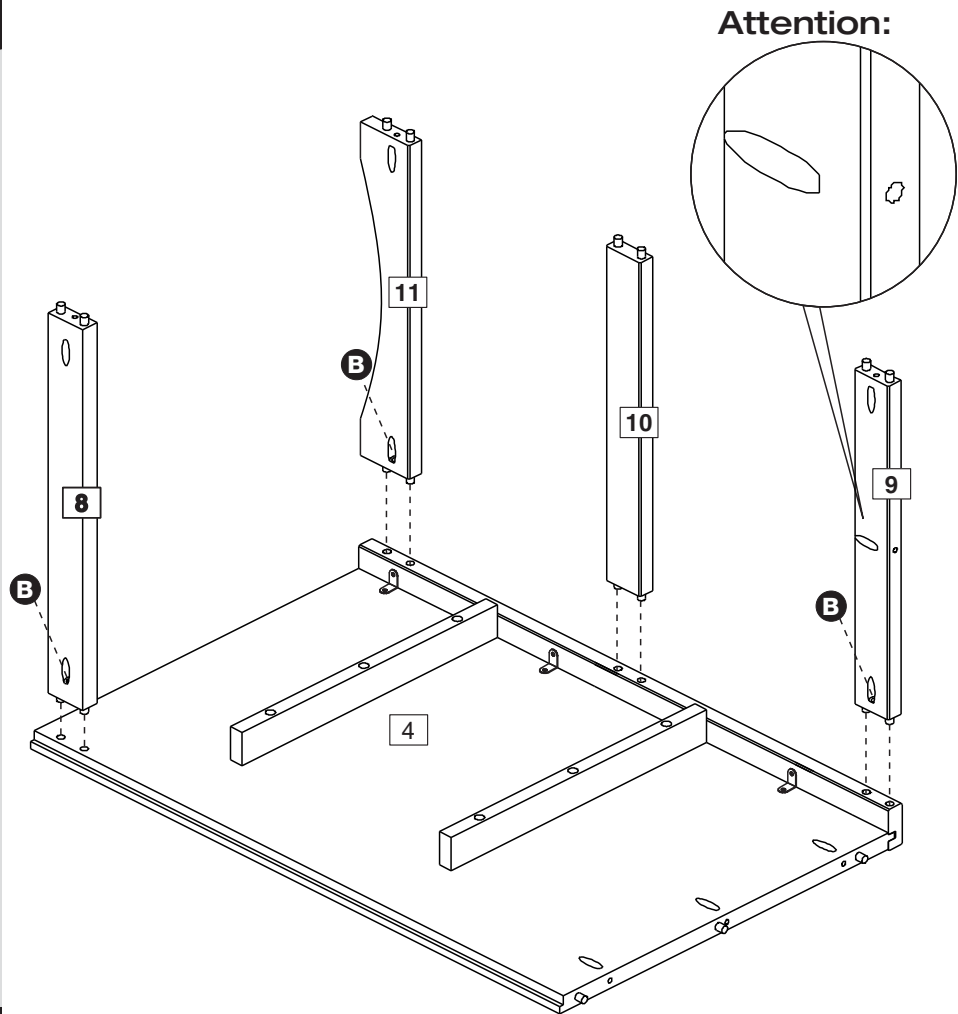
Assembly Instructions

Step 5

Attach small back rail **8**, top front frame **9** and bottom front frame **11** to left side panel **4** using screws **B**.

Fit middle front frame **10** to left front frame **6**.

Make sure panels are correctly positioned as shown in the diagram.

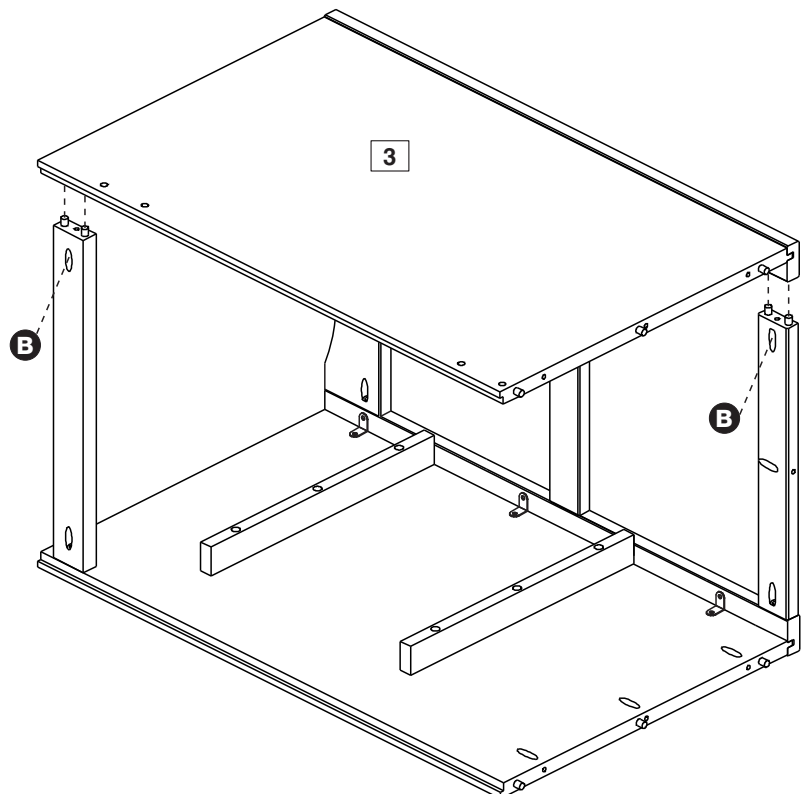


Step 6

Fixing the division

Two people are required for an easier assembly.

Fit division **3** to the assembled part, then fix it using screws **B**.



Assembly Instructions

Step 7

Fixing top panel

Two people are required for an easier assembly.



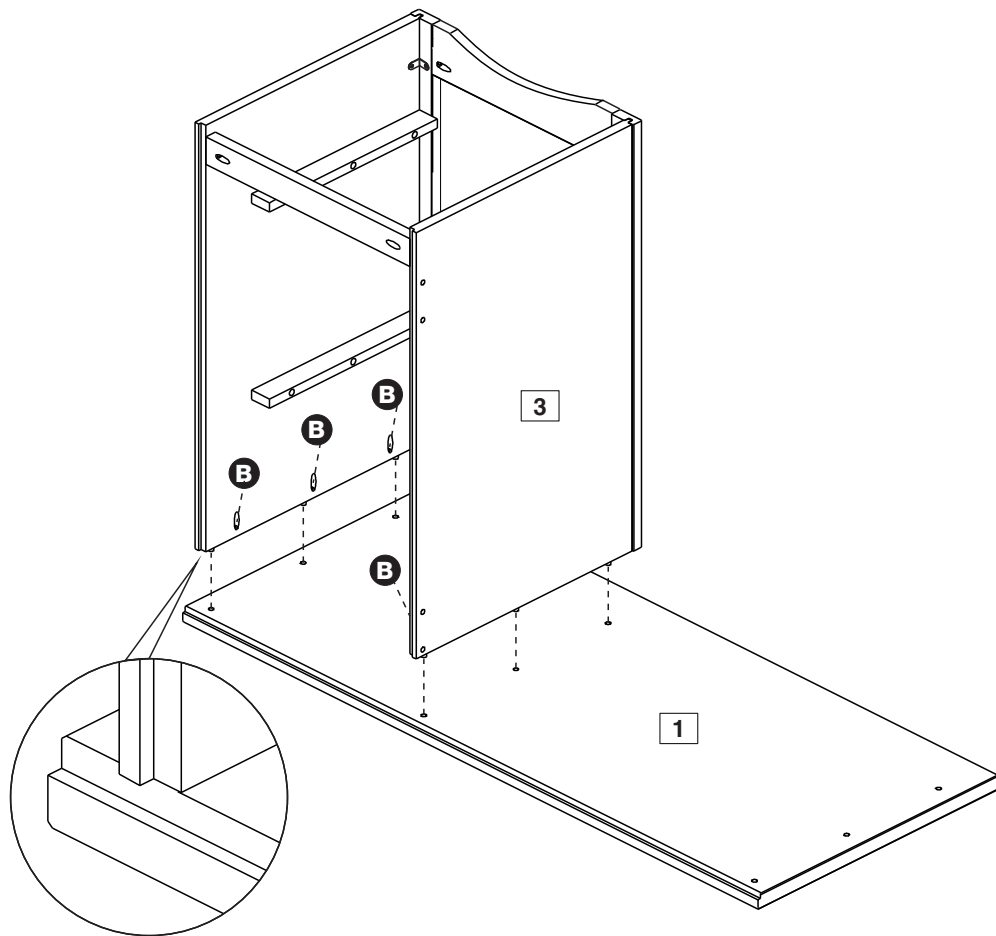
Caution:

Carefully lay the top panel on a soft and clean surface to avoid damaging the product.

Attach assembled frame to the top panel **1** using screws **B**.



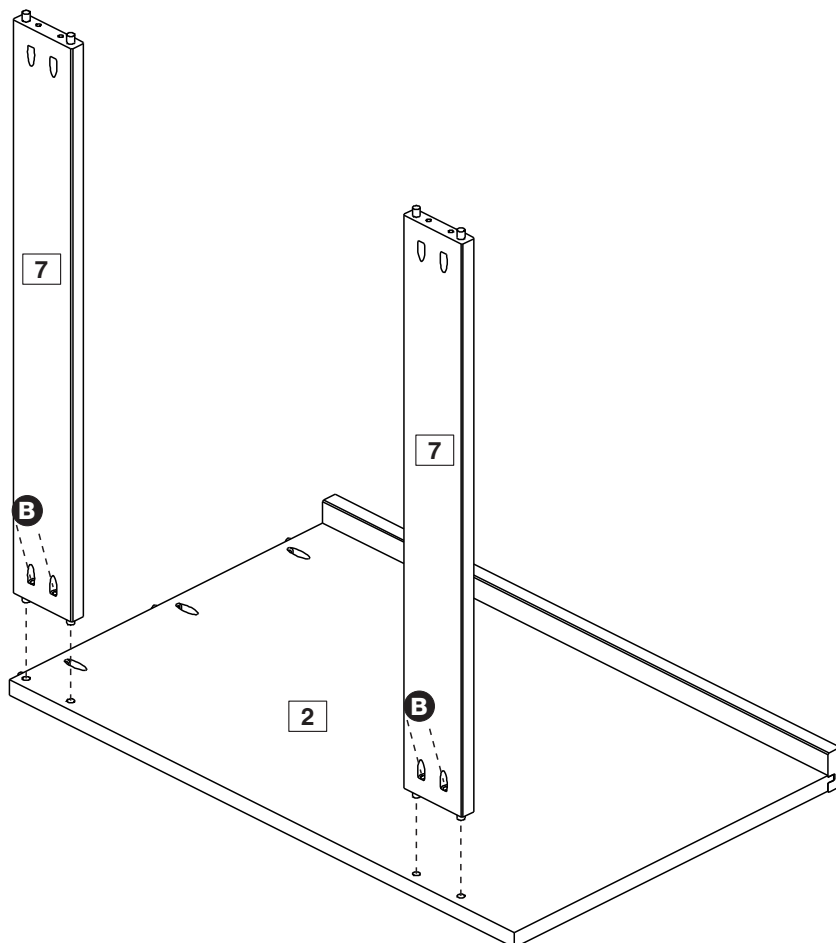
Note correct position of parts as shown.



Step 8

Fixing back rail.

Fit large back rails **7** to the right side panel **2** then fix them using screws **B**.

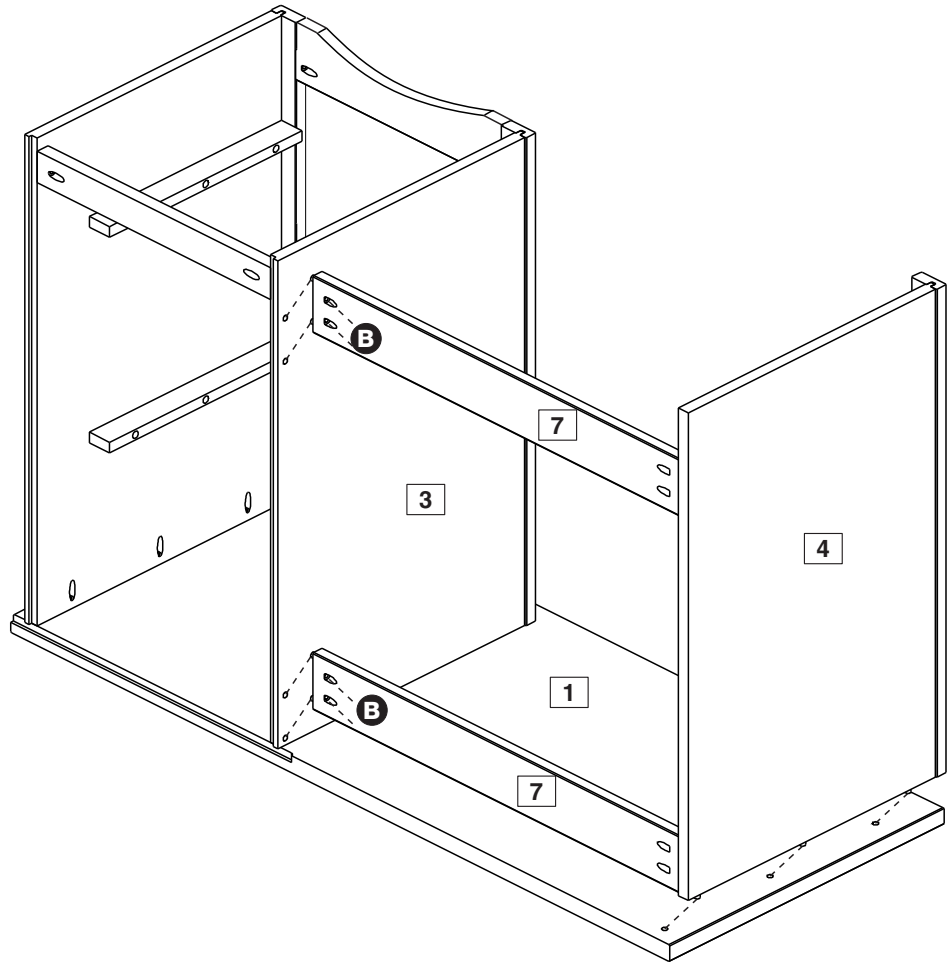


Assembly Instructions

Step 9

Two people are required for an easier assembly.

Fit back panels **7** to division **3** and right side panel **4** to top panel **1** as shown. Then, fix the parts using screws **B**.



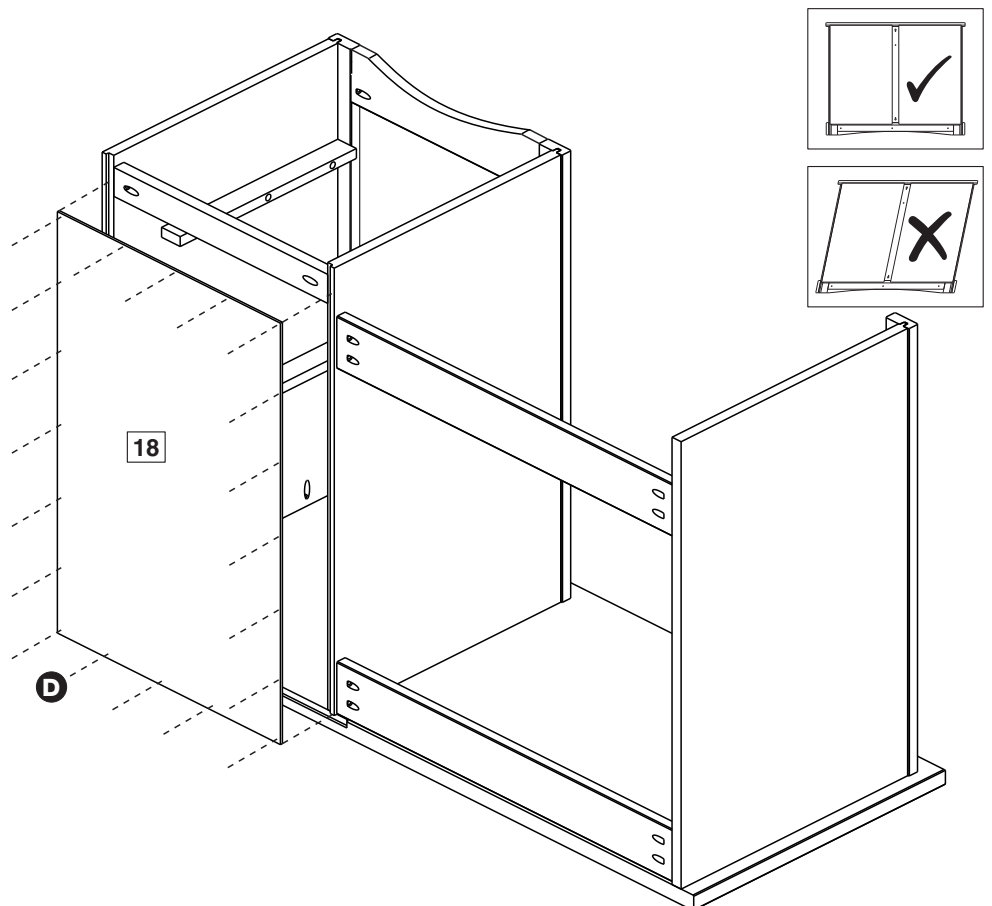
Step 10

Fixing back panel.



Important: Desk **MUST** be square when back panel is attached.

Attach the back panel **18** using nails **D**.



Assembly Instructions

Step 11

Drawer assembly.

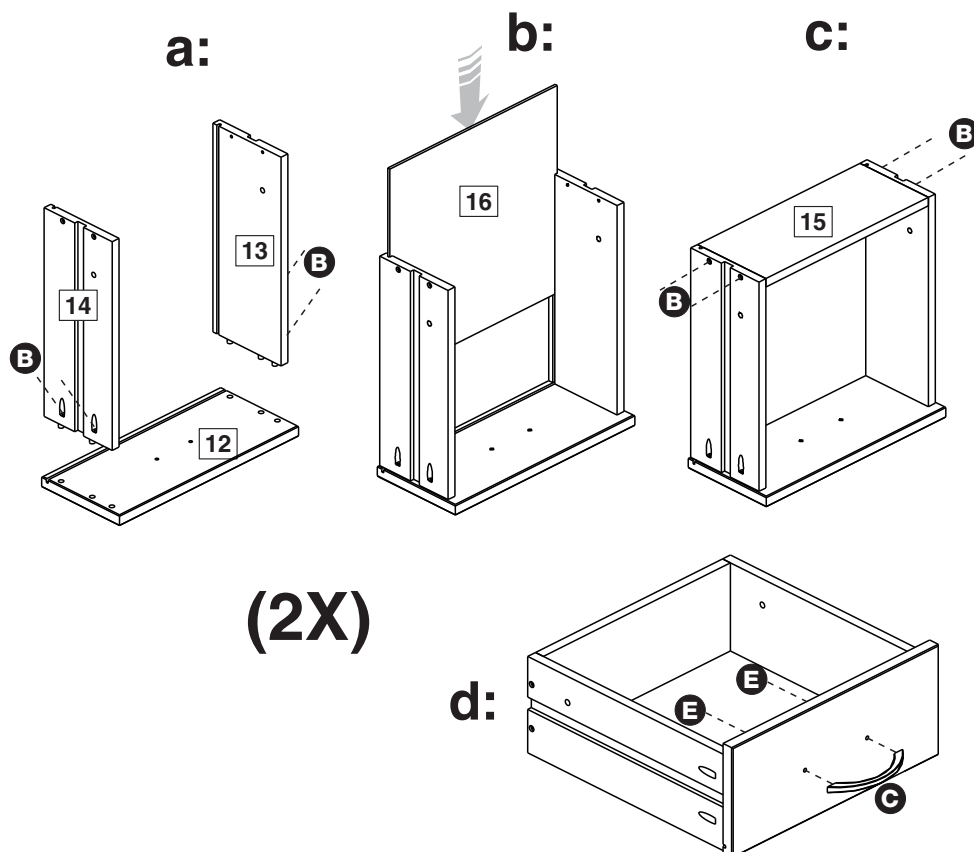
a: Attach drawer sides **13** and **14** to the drawer front **12** using screws **B**.

b: slide drawer bottom **16** into slots on drawer sides

c: attach drawer back **15** using screws **B**.

d: Using screw **E** attach the drawer handle **C** to the drawer front.

Repeat step 11 to the other drawer.

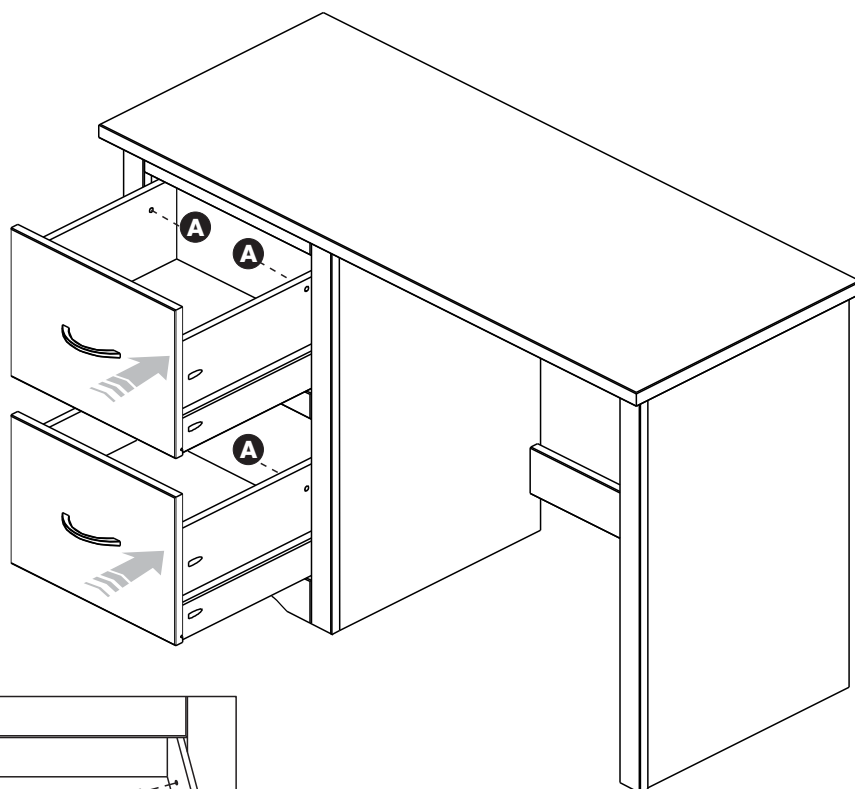


Step 12

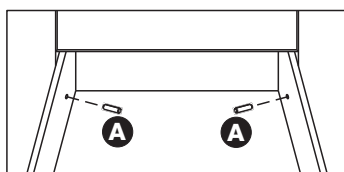
Insert drawers into unit.

With the back of the drawers past the front frames, use a hammer to tap dowels **A** in flush to drawer sides.

This is a safety catch to stop drawer falling out.



Assembly is complete.



If you need help or have damaged or missing parts, call the **Argos Customer Helpline: 03456 400 800** or **Homebase Customer Helpline: 0345 077 8888**.