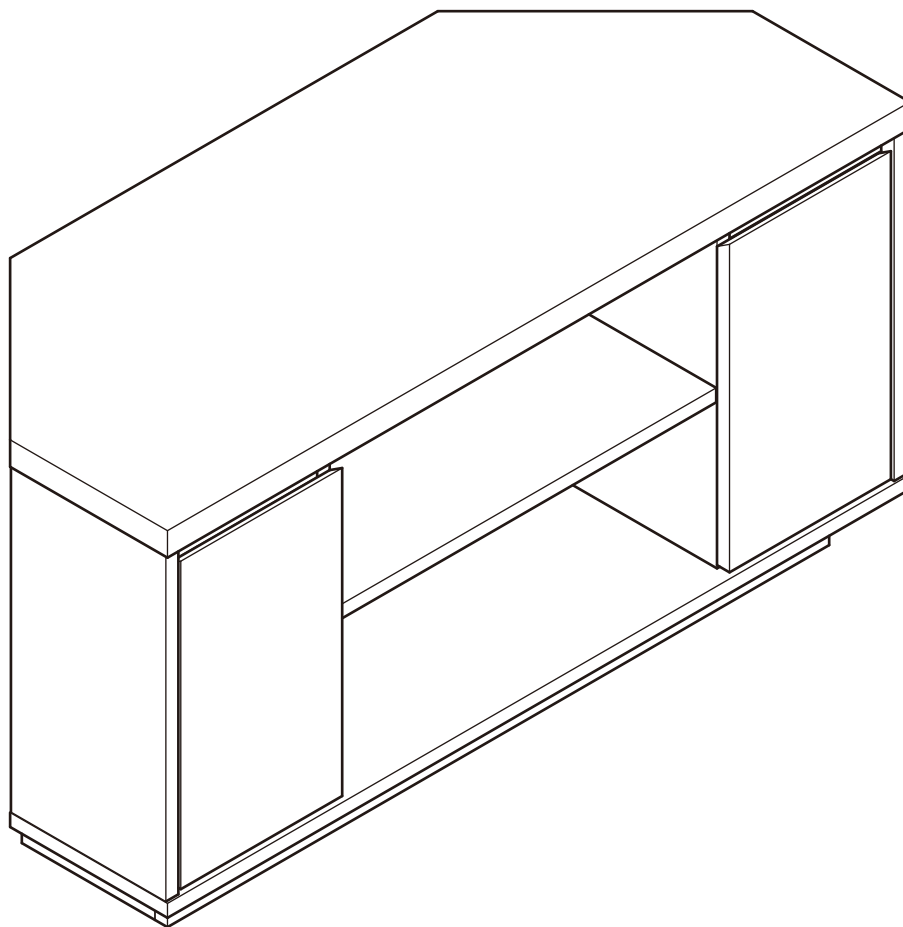


Corner TV Unit with 2 Doors

Assembly Instructions - Please keep for future reference

389/6039



Dimensions

Width - 92cm

Depth - 39.5cm

Height - 48cm

Important - Please read these instructions fully before starting assembly

If you need help or have damaged or missing parts, call the **Customer Helpline:**
Argos = 0345 6400800



Safety and Care Advice

Important – Please read these instructions fully before starting assembly

- Check you have all the components and tools listed on the following pages.
- Remove all fittings from the plastic bags and separate them into their groups.
- Keep children and animals away from the work area, small parts could choke if swallowed.
- Make sure you have enough space to layout the parts before starting.

- During assembly do not stand or put weight on the product, this could cause damage.
- Assemble the item as close to its final position (in the same room) as possible.
- Assemble on a soft level surface to avoid damaging the unit or your floor.
- Parts of the assembly will be easier with 2 people.



- To reduce the likelihood of damaging your product please ensure that your power drill is set on a low torque setting.

Care and maintenance

- Only clean using a damp cloth and mild detergent, do not use bleach or abrasive cleaners.
- From time to time check that there are no loose screws on this unit.
- This product should not be discarded with household waste. Take to your local authority waste disposal centre.

Handy Hints

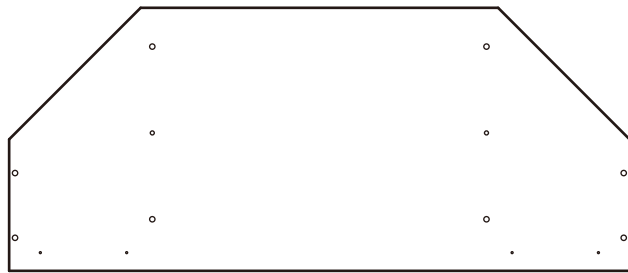
- Regularly check and ensure that all bolts and fittings are tightened properly.

Note: if required the next page can be cut out and used as reference throughout the assembly. Keep this page with these instructions for future reference.

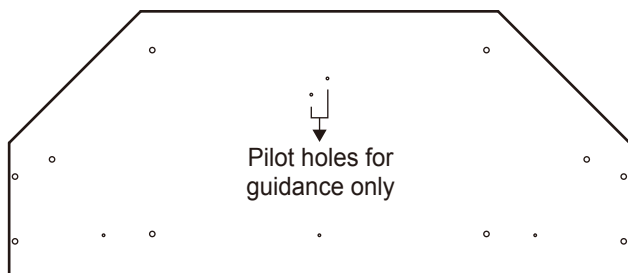
Components - Panels

If you have damaged or missing components, call the Customer Helpline: Argos = 0345 6400800

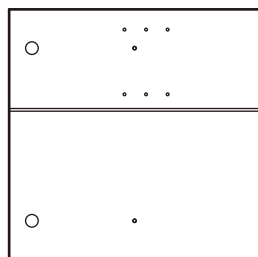
Please check you have all the panels listed below



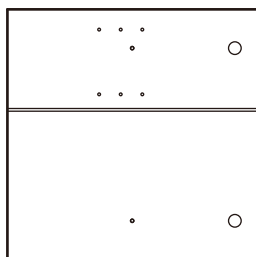
1 Top panel (92 x 39cm)



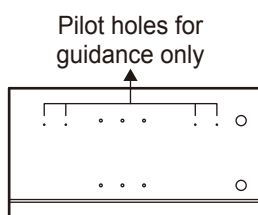
2 Bottom panel (92 x 39cm)



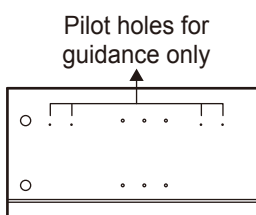
3 Middle Left panel (37.1 x 37.1cm)



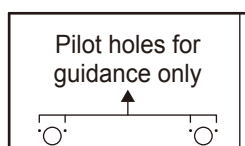
4 Middle right panel (37.1 x 37.1cm)



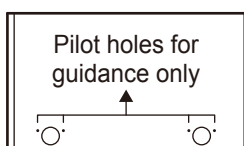
5 Left panel (37.1 x 19.2cm)



6 Right panel (37.1 x 19.2cm)



7 Left door panel (35.2 x 20cm)



8 Right door panel (35.2 x 20cm)

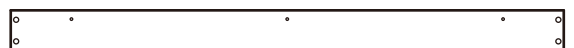


Finished front edge

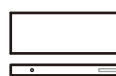
9 Middle shelf panel (48 x 37cm)



10 Shelf panel x 2 (18.8 x 14.5cm)



11 Front panel (82 x 6cm)



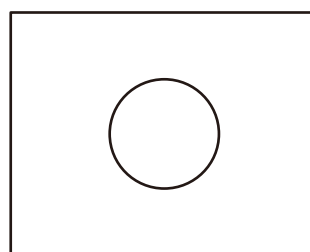
12 Left side support (16.5 x 6cm)



13 Right side support (16.5 x 6cm)



14 Door support x 2 (18.8 x 2.5cm)



15 Large back panel (50.3 x 40cm)










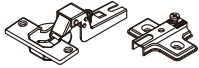



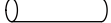


16 Small back panel x 2 (37.1 x 19.5cm)



Components - Fittings

Please check you have all the fittings listed below

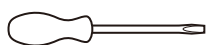
Note: The quantities below are the correct amount to complete the assembly. In some cases more fittings may be supplied than are required.

A  30mm Dowel x 6	B  50mm Screw x 14	C  40mm Screw x 4
D  43mm Locking pin x 8	E  14mm Screw x 8	F  (This screw is included in the door hinge bag) 15mm Screw x 16
G  15mm Locking nut x 8	H  Door hinge x 4	I  Foot x 1
J  Plastic support x 3	K  Nail x 10	L  Shelf support x 8
M  Support cover x 8	N  Door pad x 4	

Tools required



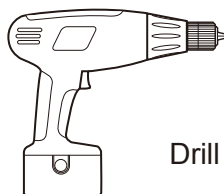
Phillips screwdriver
(medium & large)



Flatblade screwdriver
(medium)



7mm Suitable drill bit
(for use with wall plug)



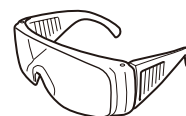
Drill



Small
hammer

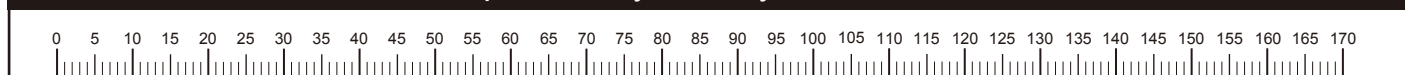


Ruler/tape
measure



Eye protection
(when using a
hammer or glue)

Ruler - Use this ruler to help correctly identify the screws



The screws length is measured from the head to the point (30mm screw shown).

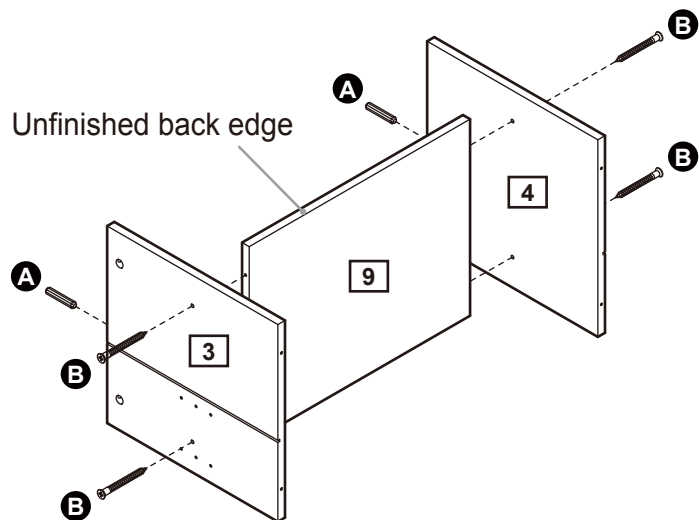
Assembly Instructions

Step 1

Attaching the middle shelf panel

a: Insert Dowels **A** into the Middle left panel **3** and Middle right panel **4**.

Use Screws **B** to fix the Middle left panel **3** and Middle right panel **4** onto the Middle shelf panel **9**.



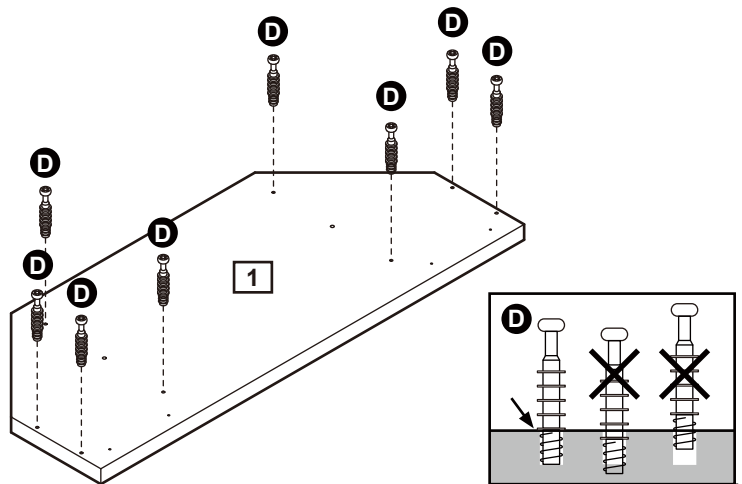
Step 2

Attaching top panel

a: Screw Locking pins **D** into the Top panel **1**.

Note: Insert Locking pins as far as shown. Do not over tighten.

a:

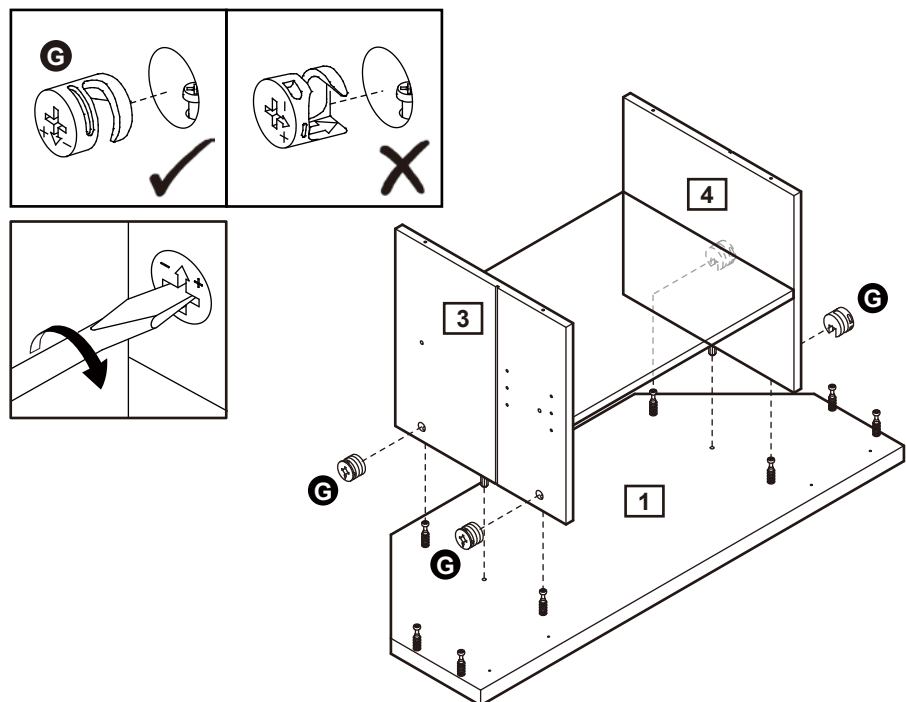


b: Carefully locate the Top panel **1** onto the unit.

Insert 4 Locking nuts **G** into the unit.

Use a screwdriver to turn Locking nuts **G** clockwise to lock.

b:



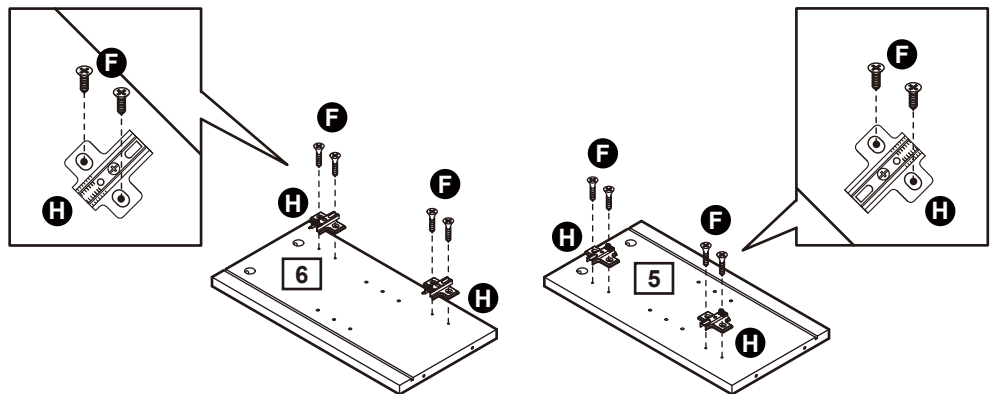
Assembly Instructions

Step 3

Attaching left and right panels

a: Use Screws **F** to fix the Door hinges **H** 'back plates' onto the Right panel **6** and Left panel **5**.

a:

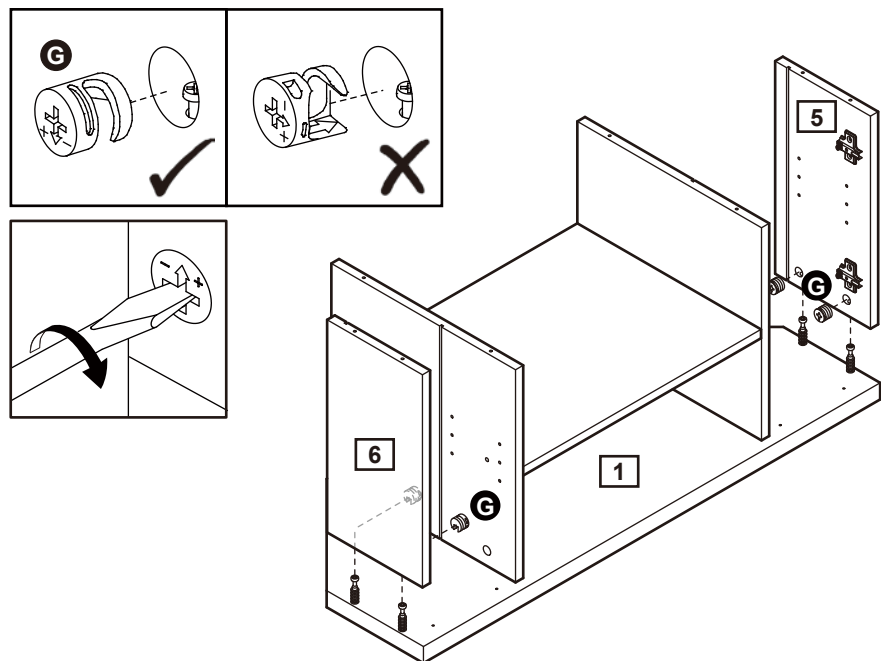


b: Carefully locate the Right panel **6** and Left panel **5** onto the unit.

Insert 4 Locking nuts **G** into the unit.

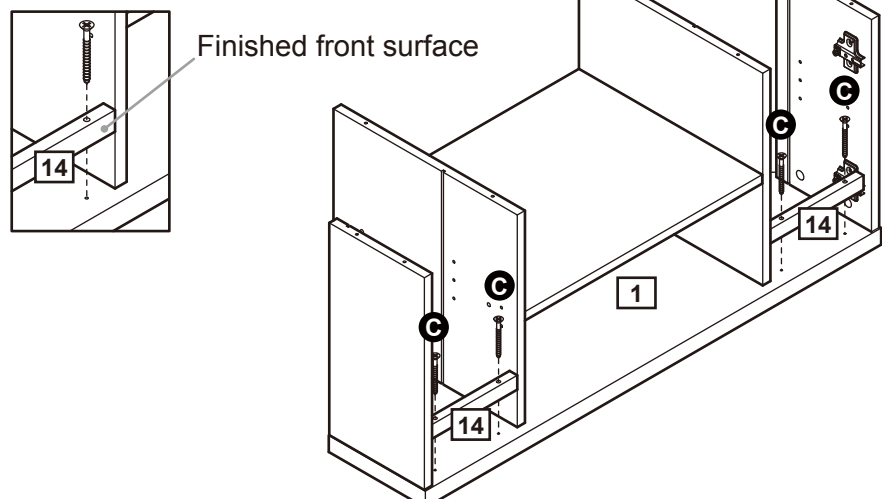
Use a screwdriver to turn Locking nuts **G** clockwise to lock.

b:



c: Use Screws **C** to fix the Door supports **14** onto the Top panel **1**.

c:

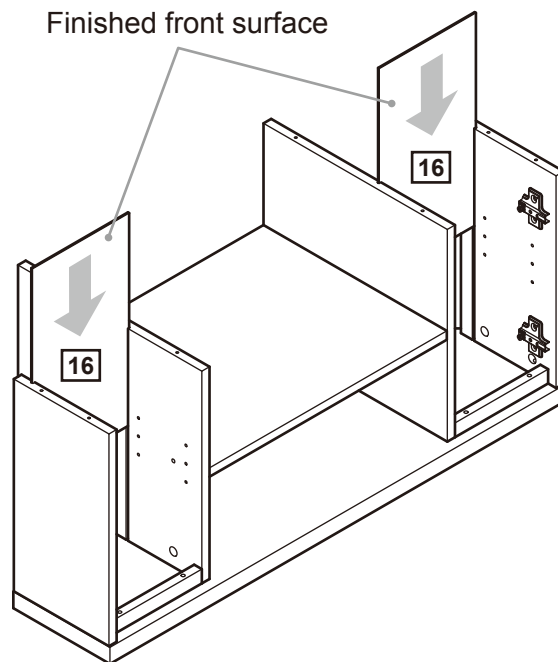


Assembly Instructions

Step 4

Attaching small back panels

Slide small back panels **16** into the unit.

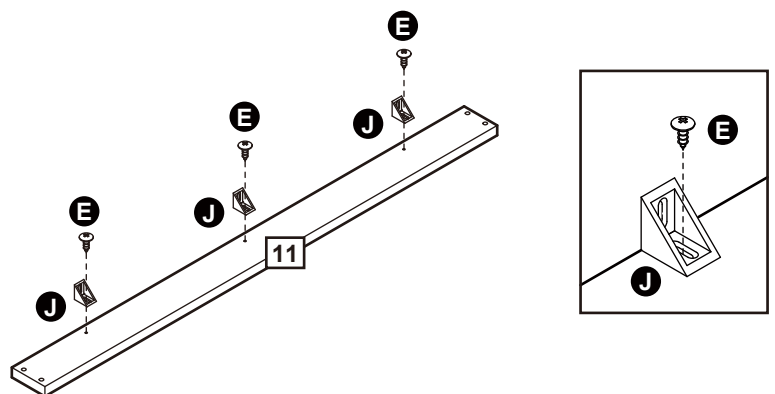


Step 5

Attaching bottom panel

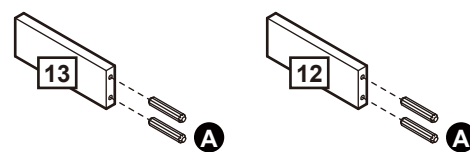
a: Use Screws **E** to fix Plastic supports **J** onto the Front panel **11**.

a:



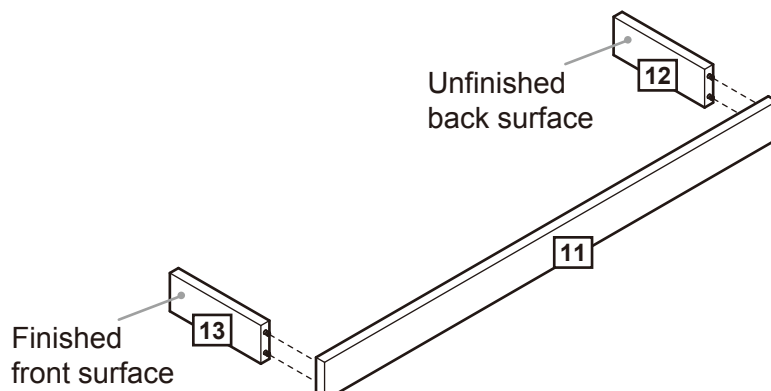
b: Insert Dowels **A** into Right side support **13** and Left side support **12**.

b:



c: Carefully locate the Right side support **13** and Left side support **12** onto the Front panel **11**.

c:

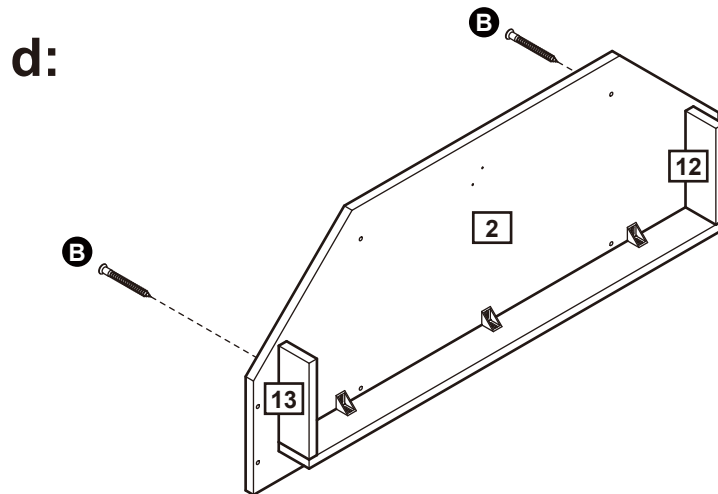


Continued on next page.

Assembly Instructions

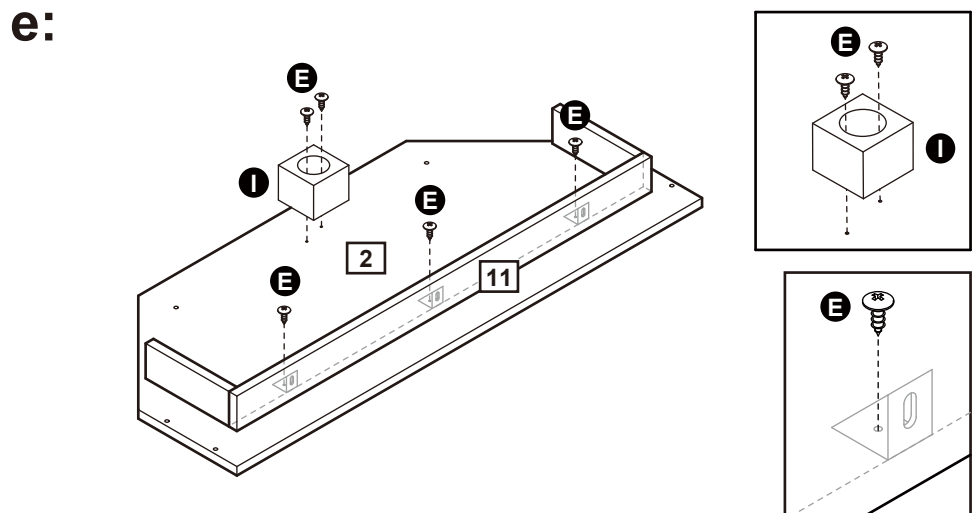
Step 5 - continued

d: Use Screws **B** to fix the Bottom panel **2** onto the Right side support **13** and Left side support **12**.

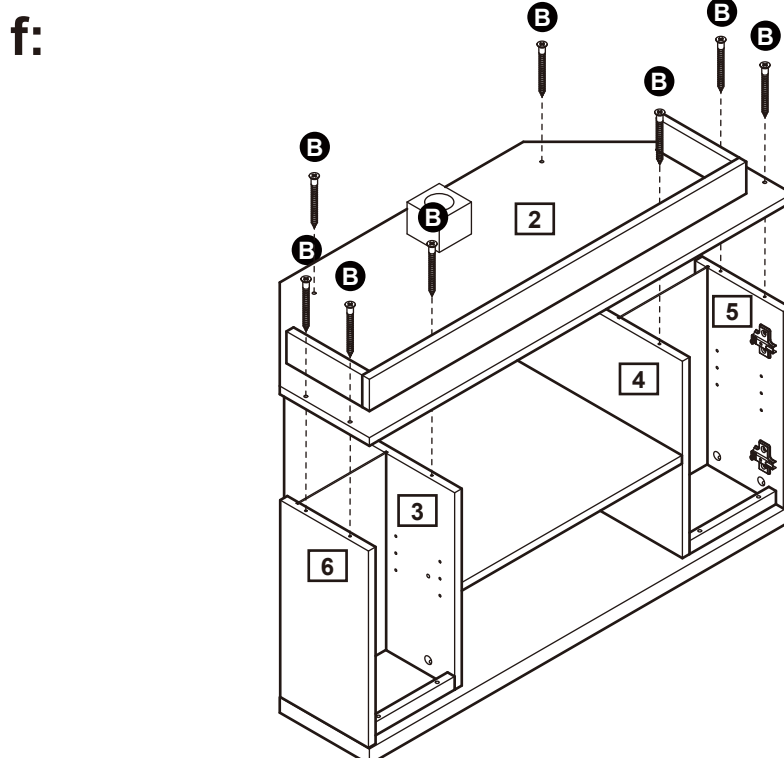


e: Use Screws **E** to fix Front panel **11** onto the Bottom panel **2**.

Use Screws **E** to fix Foot **1** onto the Bottom panel **2**.



f: Use Screws **B** to fix the Bottom panel **2** onto the unit.



Assembly Instructions

Step 6

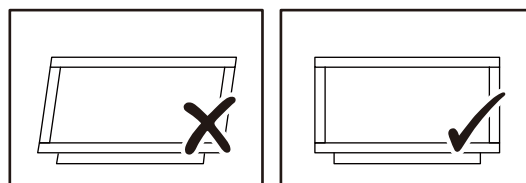
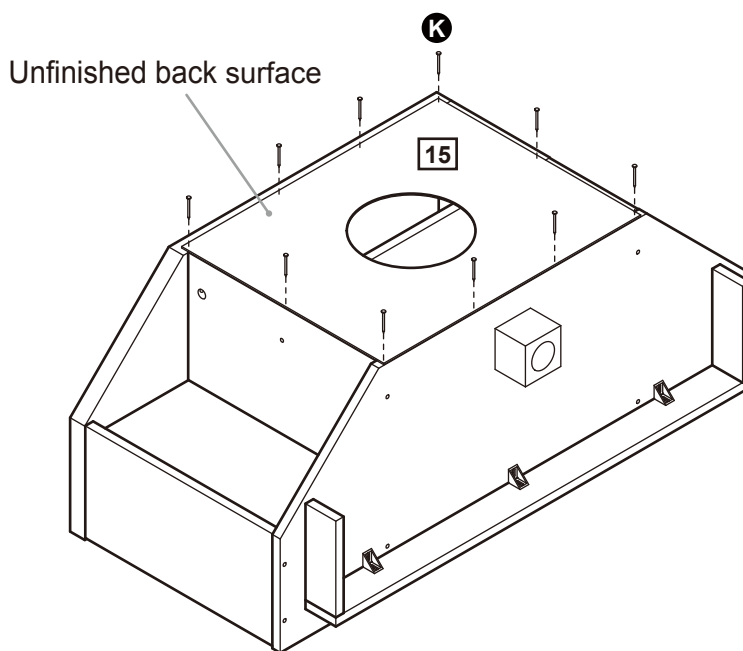
Fixing large back panel

Attach large back panel **15** using nails **K**.



Important:

The unit **MUST** be 'square' when back is attached.



Step 7

Attaching shelf panels

With help, carefully stand the unit upright.



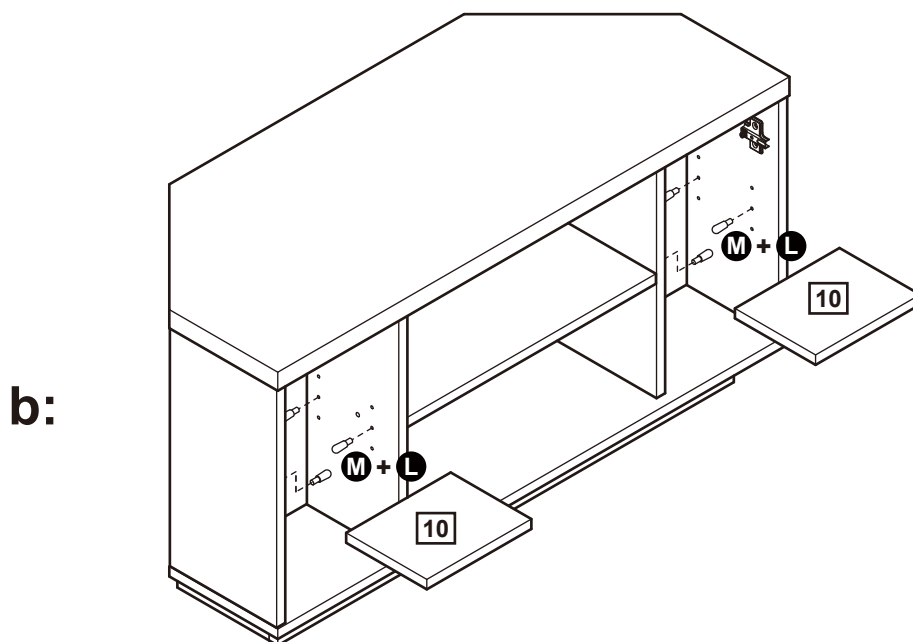
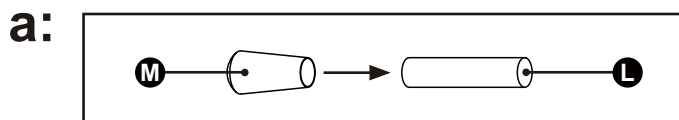
Warning:

The unit is heavy.
Lift with care.

a: Slide Support covers **M** onto Shelf supports **L**. Insert Shelf supports **L** (Support covers **M** are included) into the unit. Ensure they are well fitted before inserting the Shelves.

Note: Set the shelf supports to the desired height.

b: Slide Shelf panels **10** into the unit.



Assembly Instructions

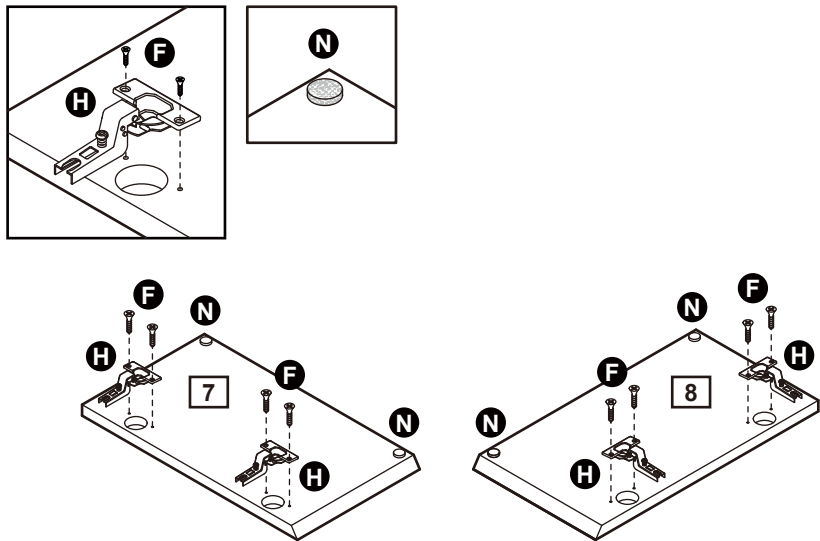
Step 8

Attaching hinges to doors

Fix 4 Door hinges **H** to Left door panel **7** and Right door panel **8** using Screws **F**.

Tear off the protective backing from the Door Pads **N**.

Carefully stick the Door pads **N** onto the Left door panel **7** and Right door panel **8**.



Step 9

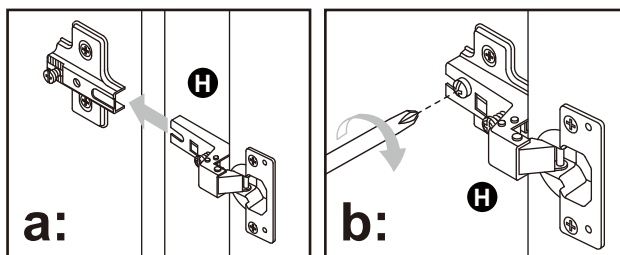
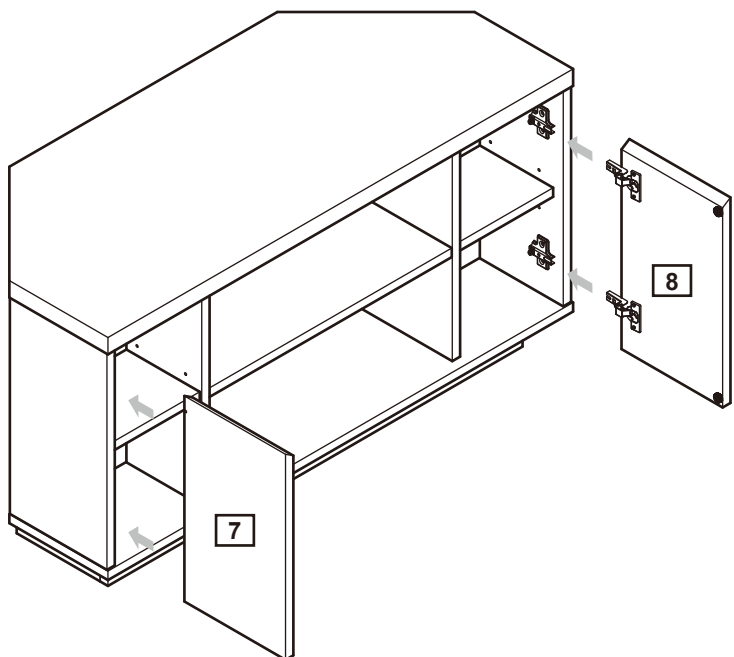
Hanging doors

a: With help, slot Door hinges **H** onto 'hinge plates'.

b: Tighten screw shown to lock hinges in position.

Repeat **a** and **b** for opposite door.

See 'Hinge adjustment' in step 10 if the doors need adjusting.



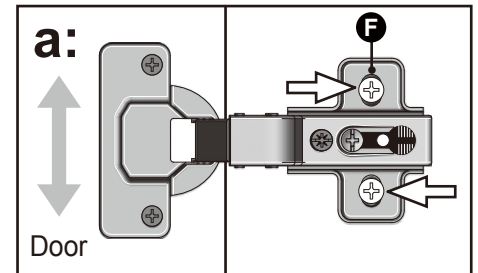
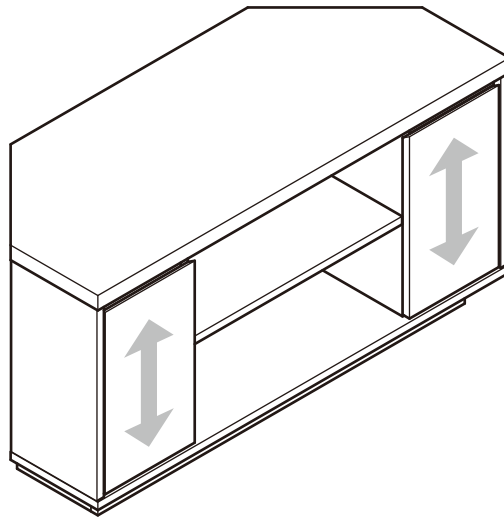
Assembly Instructions

Step 10

Hinge adjustment

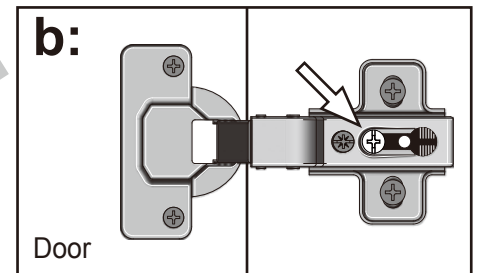
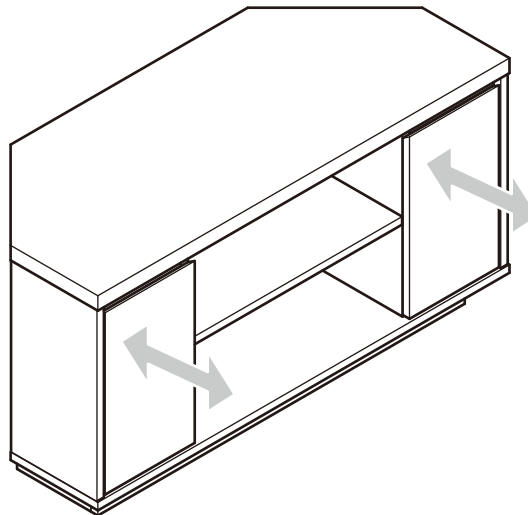
a: To move doors up or down: loosen screws shown and move doors to suit.

Once doors are aligned, re-tighten Screws **F**.



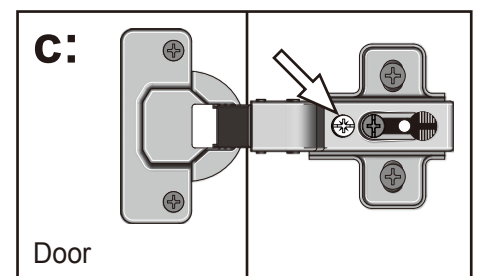
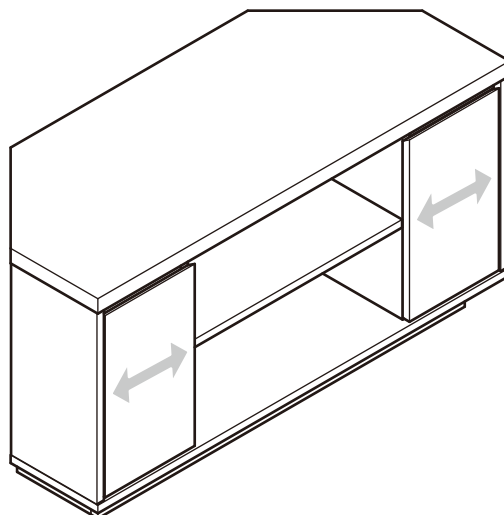
b: To move doors in or out: loosen screw shown and move doors to suit.

Re-tighten screws.



c: To move doors left or right: loosen screw shown and move doors to suit.

Re-tighten screws.



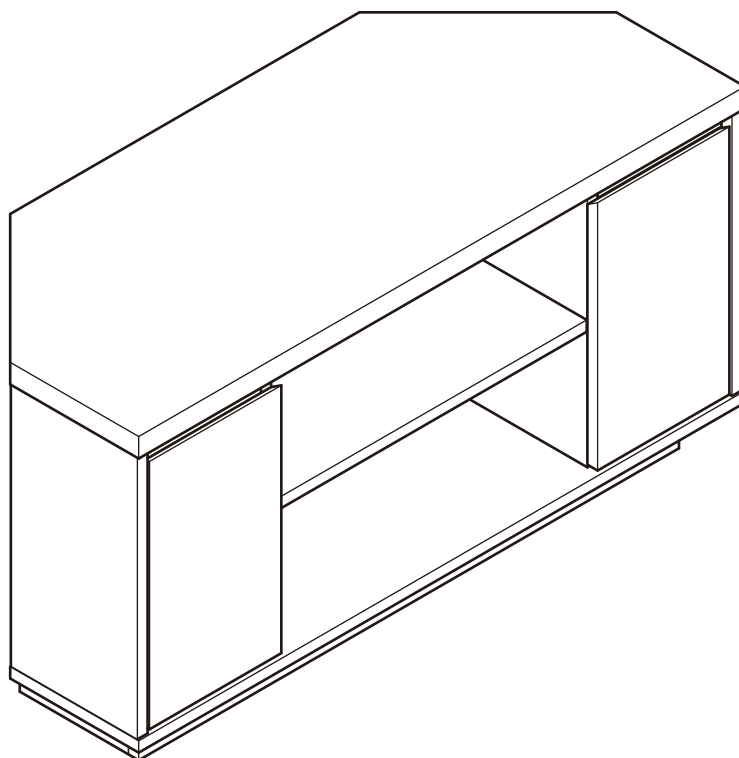
Assembly Instructions

Step 11

Finishing the unit

Note: It would be useful to ask someone to help you at this stage.

With help, place the unit in the intended position.



Assembly is complete.

If you need help or have damaged or missing parts, call the **Customer Helpline:**
Argos = 0345 6400800