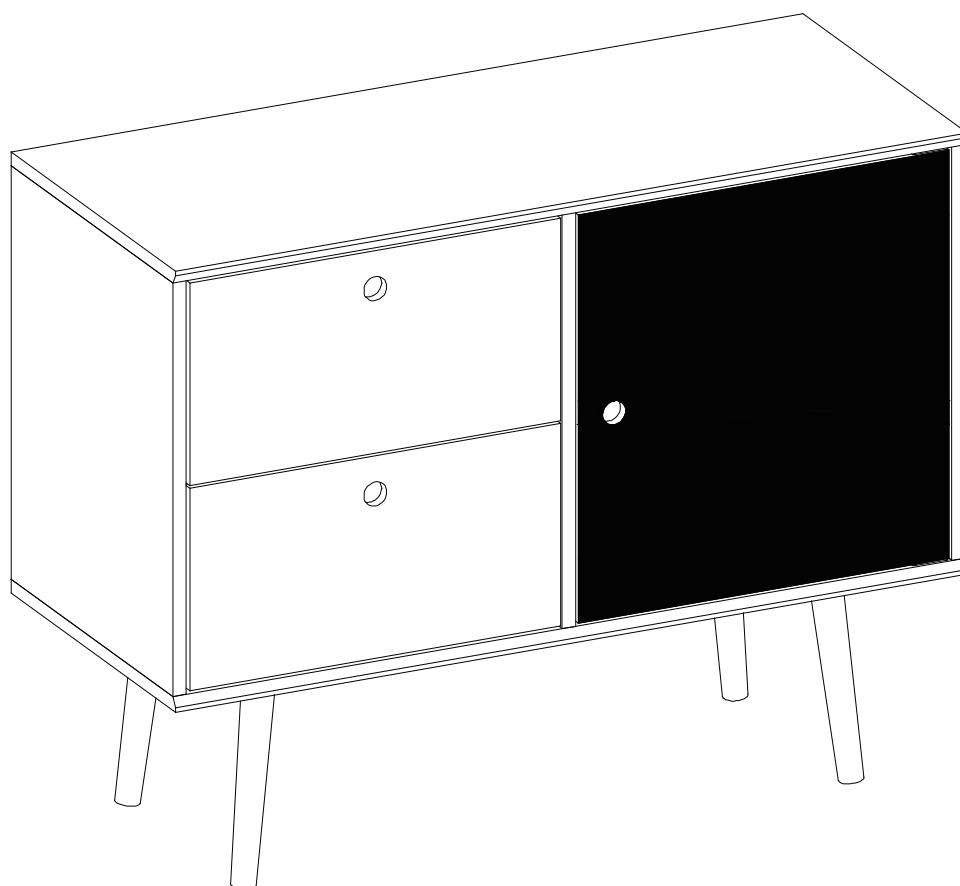


# Alto Sideboard

Assembly Instructions - Please keep for future reference

385/9715

**hygena**



## Dimensions

Width - 90cm  
Depth - 38cm  
Height - 70cm

**Important - Please read these instructions fully before starting assembly**

If you need help or have damaged or missing parts, call the **Customer Helpline: 0345 6400 800**



# Safety and Care Advice

**Important – Please read these instructions fully before starting assembly**

Check you have all the components and tools listed on pages 2 and 3.

Remove all fittings from the plastic bags and separate them into their groups.

Keep children and animals away from the work area, small parts could choke if swallowed.

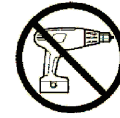
Make sure you have enough space to layout the parts before starting.

Assemble the item as close to its final position (in the same room) as possible.

Assemble on a soft level surface to avoid damaging the unit or your floor.

Assembly requires 2 people.

Do not stand or put excessive weight on the product, this could cause damage.



We do not recommend the use of power drill/drivers **for inserting screws,**

as this could damage the unit. Only use hand screwdrivers and Allen keys.

Dispose of all packaging carefully and responsibly.

## Care and maintenance

Only clean using a damp cloth and mild detergent, do not use bleach or abrasive cleaners.

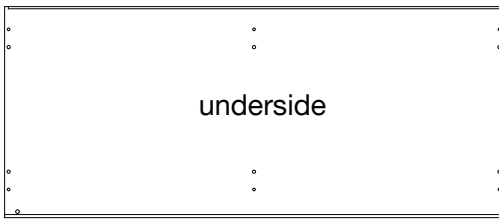
From time to time check that there are no loose screws on this unit.

This product should not be discarded with household waste. Take to your local authority waste disposal centre.

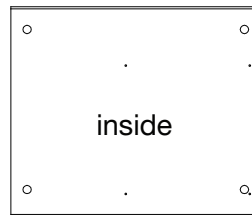
# Components - Parts

If you have damaged or missing components.  
call the **Customer Helpline**: 0345 6400 800

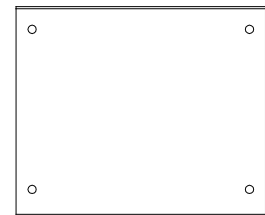
Please check you have all the parts listed below



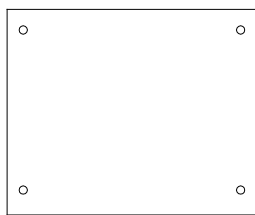
**1** Top panel  
(90x38x1.5cm)



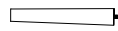
**2** Side panel (right)  
(37x37x1.5cm)



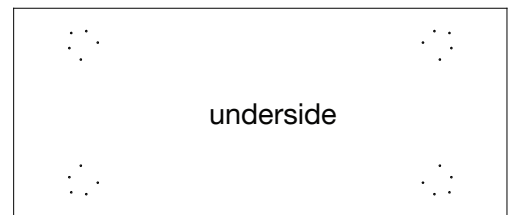
**3** Side panel (left)  
(37x37x1.5cm)



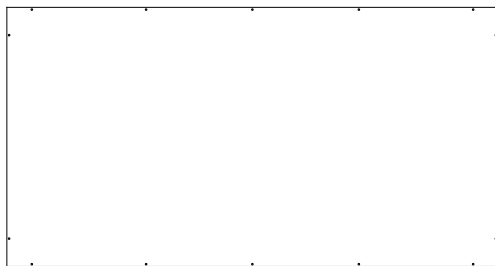
**4** Divider  
(37x36.6x1.5cm)



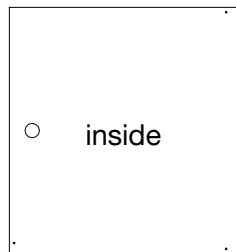
**5** Leg x 4  
(4.5/3x3cm)



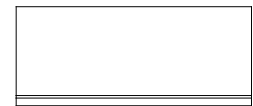
**6** Base panel  
(90x38x1.5cm)



**7** Back panel  
(88.6x38.6x0.3cm)



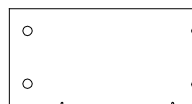
**8** Door  
(36.6x42.3x1.2cm)



**9** Drawer back panel x 2  
(37.9x14x1.2cm)



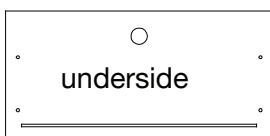
**10** Drawer side panel (right) x 2  
(30x14x1.2cm)



**11** Drawer side panel (left) x 2  
(30x14x1.2cm)



**12** Drawer base panel x 2  
(38.6x29.5x0.3cm)



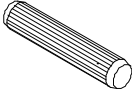
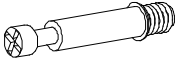



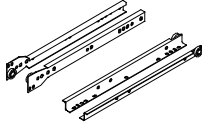
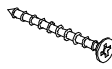

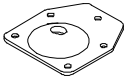



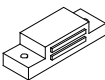

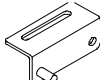
**13** Drawer front x 2  
(42.3x18x1.2cm)

# Components - Fittings

If you have damaged or missing components, call the **Customer Helpline: 0345 6400 800**

Please check you have all the fittings listed below

**Note:** The quantities below are the correct amount to complete the assembly. In some cases more fittings may be supplied than are required.

<p><b>A</b></p>  <p>Wooden dowel x 12 (6X30mm)</p>	<p><b>B</b></p>  <p>Metal dowel x 20</p>	<p><b>C</b></p>  <p>Small locking nut x 8 (15x9.5mm)</p>
<p><b>D</b></p>  <p>Large locking nut x 12 (15x12mm)</p>	<p><b>E</b></p>  <p>Screw x 23 (3x12mm)</p>	<p><b>F</b></p>  <p>Drawer runner x 2 sets (L300mm)</p>
<p><b>G</b></p>  <p>Wood screw x 8 (4x30mm)</p>	<p><b>H</b></p>  <p>Screw x 20 (3x12mm)</p>	<p><b>J</b></p>  <p>Metal bracket x4</p>
<p><b>K</b></p>  <p>Screw x 14 (2.2x10mm)</p>	<p><b>L</b></p>  <p>Metal plate x 1</p>	<p><b>M</b></p>  <p>Screw x 2 (2.5x14mm)</p>
<p><b>N</b></p>  <p>Magnetic catch x 1</p>	<p><b>P</b></p>  <p>Plastic hinge plug x 2</p>	<p><b>Q</b></p>  <p>Door hinge x 2</p>

## Tools required

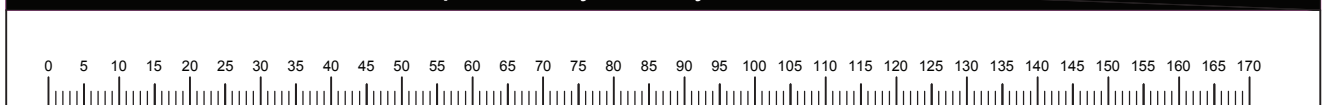


Ruler/tape measure



Phillips screwdriver  
(Not supplied)

## Ruler - Use this ruler to help correctly identify the screws



# Assembly Instructions

## Step 1

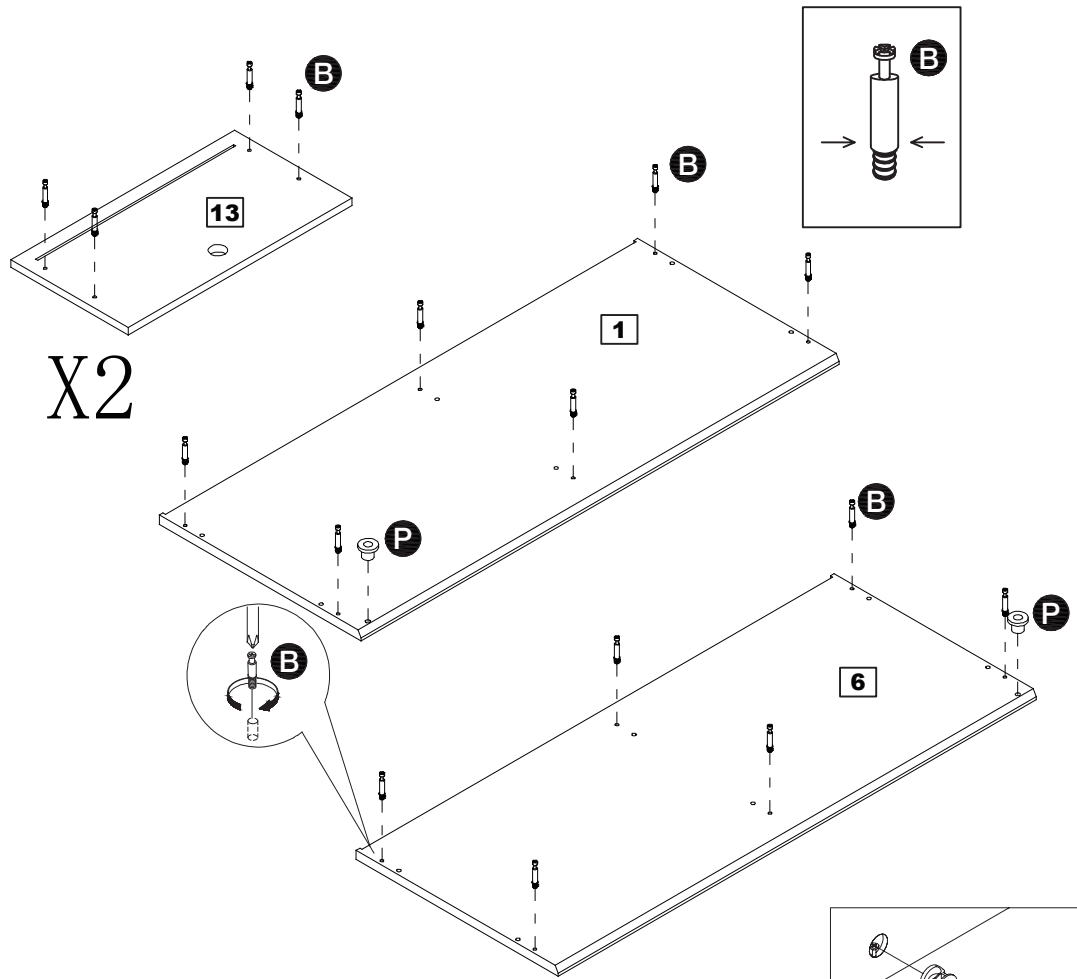
### Preparing panels

Place top panel **1**, base panel **6**, and drawer front panels **13** flat onto the floor with the fixing holes facing up.

Screw metal dowels **B** into each panel as shown.

Screw metal dowels as far as shown. Do not overtighten.

Insert plastic hinge plugs **P** into top panel **1** and base panel **6** as shown.



## Step 2

### Assembling panels

**a:** Fit magnetic catch **N** onto divider **4** using screws **M**.

**Note:** Ensure the magnetic side is facing out.

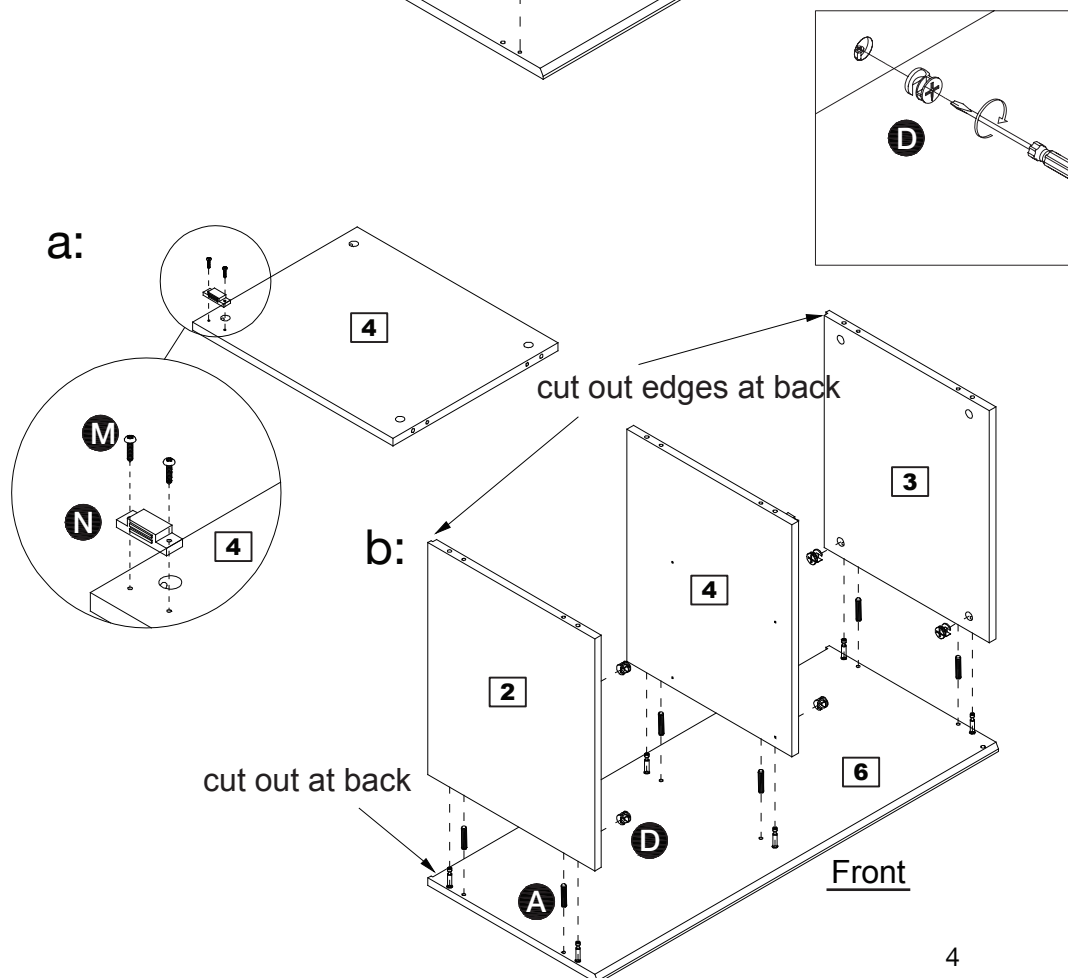
**b:** Insert wood dowels **A** into base panel **6** as shown.

Carefully locate side panels **2** and **3** and divider **4** onto base panel **6** in the locations shown.

**Note:** Ensure the cut out edges on the side panels **2** and **3** and base panel **6** are correctly located at the back. The magnetic catch on divider **4** is at the front.

Insert large locking nuts **D** into side panels **2** and **3** and divider **4**.

Turn locking nuts clockwise to secure.



# Assembly Instructions

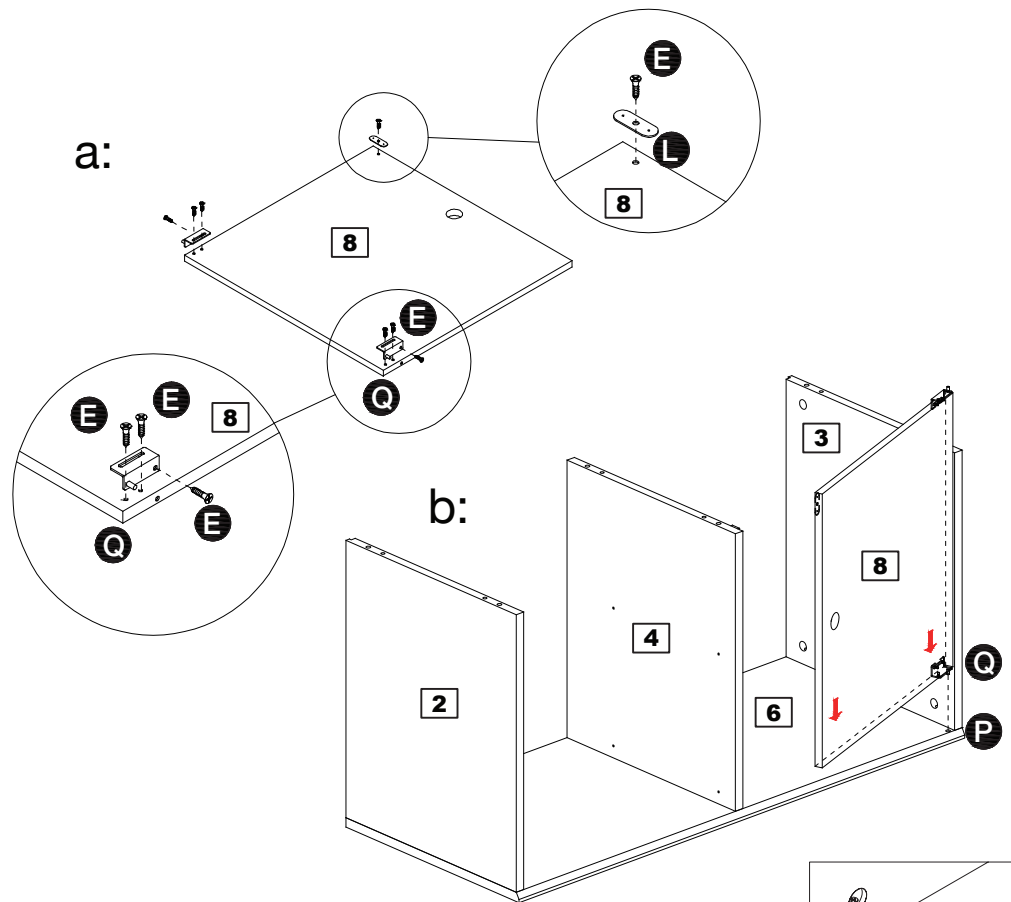
## Step 3

### Assembling door

**a:** Fit door hinges **Q** to the top and bottom of door **8** using screws **E** as show.

Fit metal plate **L** onto door panel **8** using screws **E**.

**b:** Carefully locate door **8** in between left side panel **3** and divider **4**, by inserting door hinge **Q** into plastic hinge plug **P** on base panel **6**.



## Step 4

### Assembling top panel

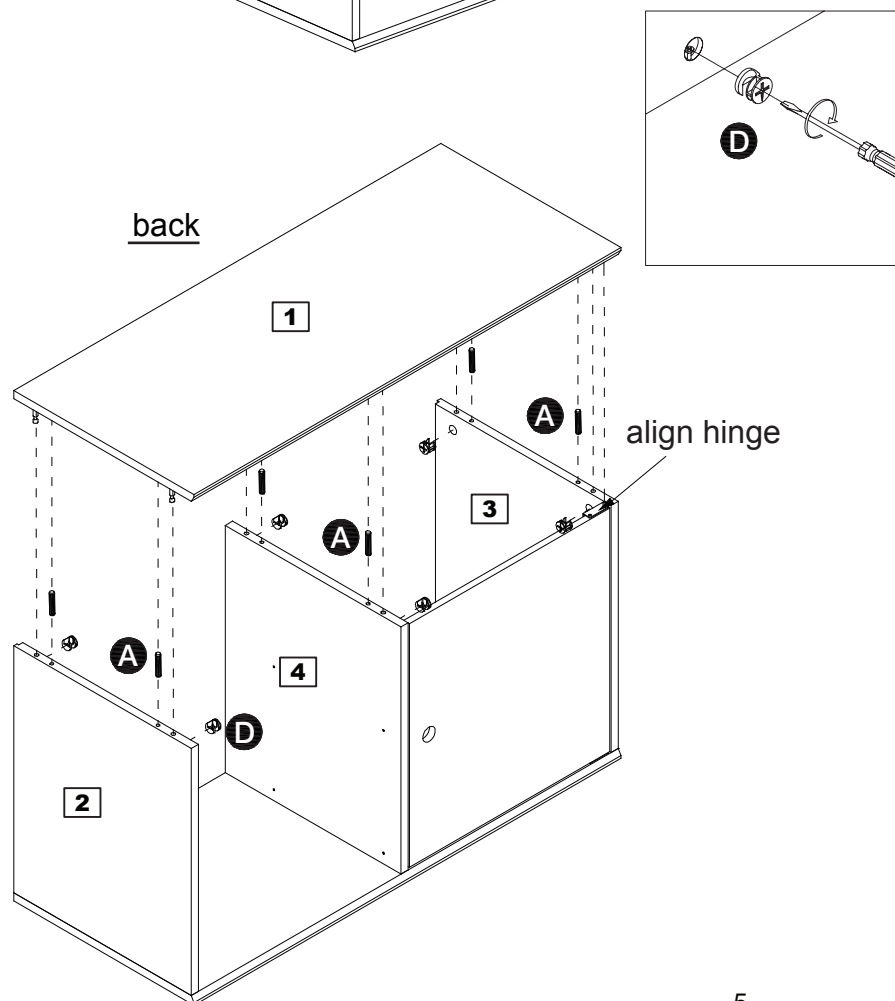
Insert wood dowels **A** into the top edges of side panels **2** and **3** and divider **4**.

With help, carefully locate top panel **1** into position as shown.

**Note:** Ensure the cut out edge on top panel **1** is correctly located at the back, and take care to align the door hinge with the hole in the underside of the top panel.

Insert large locking nuts **D** into side panels **2** and **3** and divider **4**.

Turn locking nuts clockwise to secure.



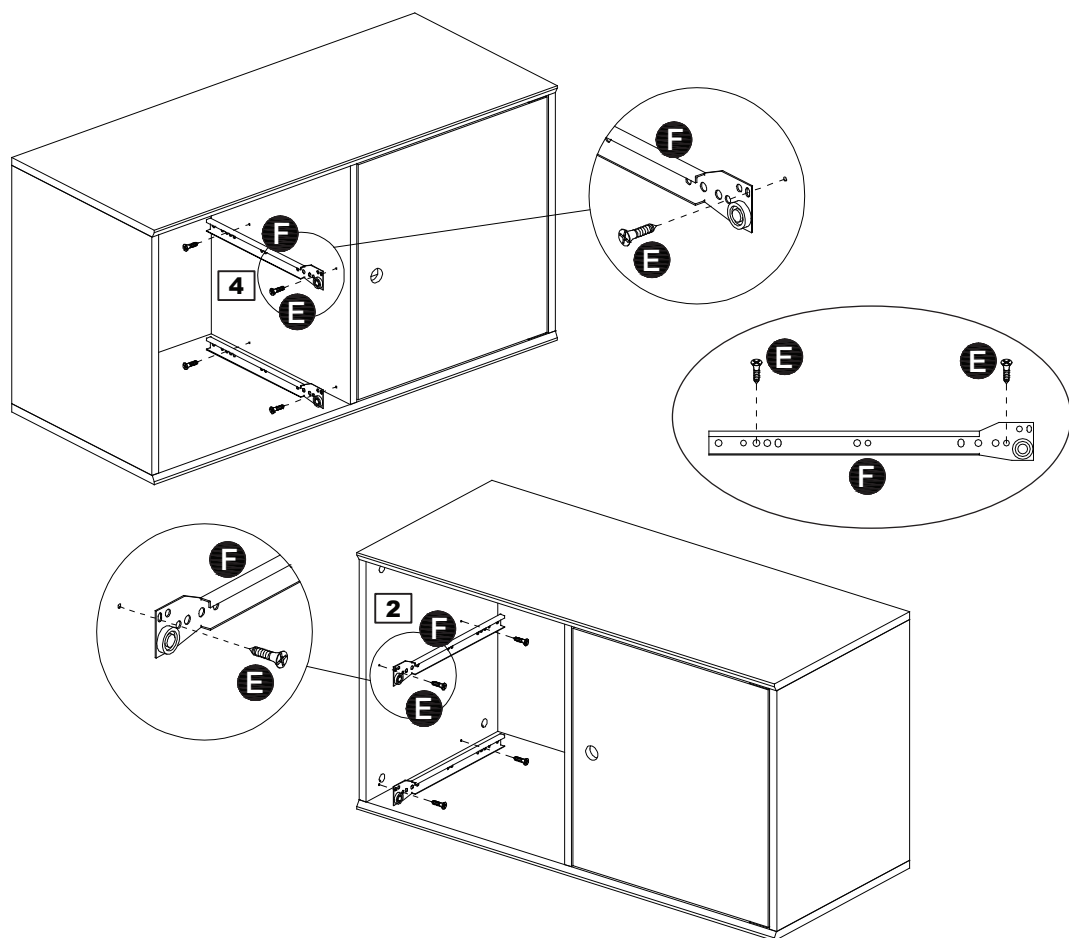
# Assembly Instructions

## Step 5

### Assembling drawer runners

Attach one half of drawer runners **F** onto side panel **2** and divider **4** as shown. Secure with screws **E**.

**Note:** the correct fixing hole positions are shown on the drawings.



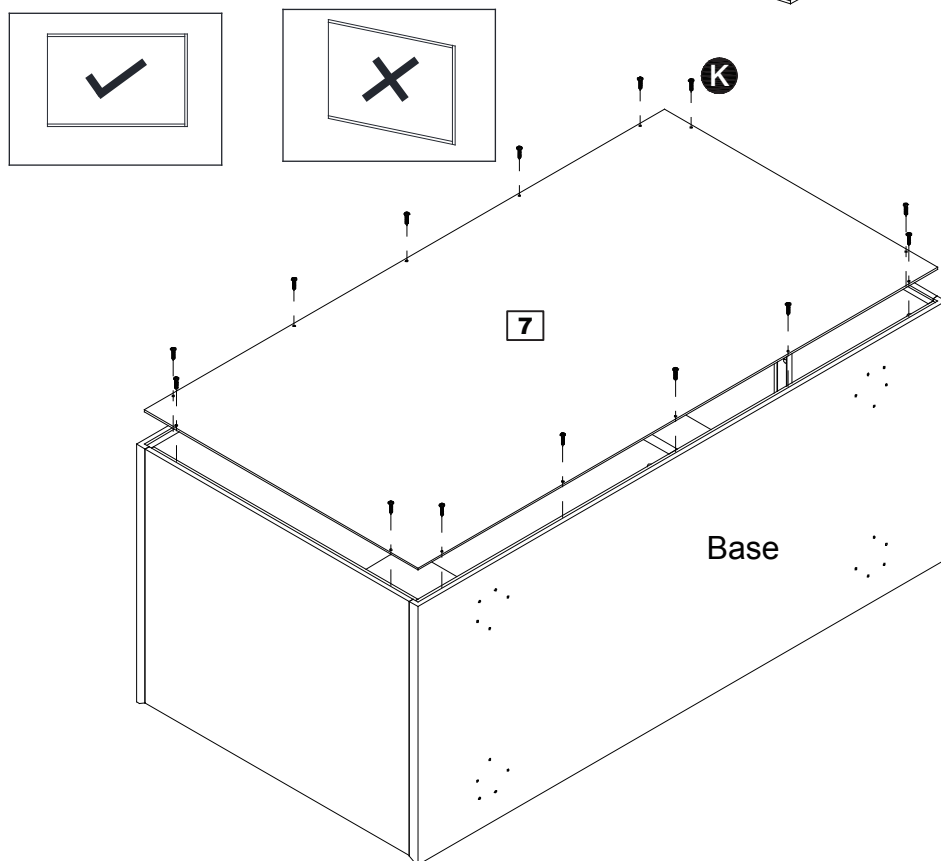
## Step 6

### Assembling back panel

With help, carefully turn the unit onto its front.

Place back panel **7** into the recess around the back of the unit. Secure using screws **K**.

**Note:** Ensure the unit is straight and square before securing back panel **7**.

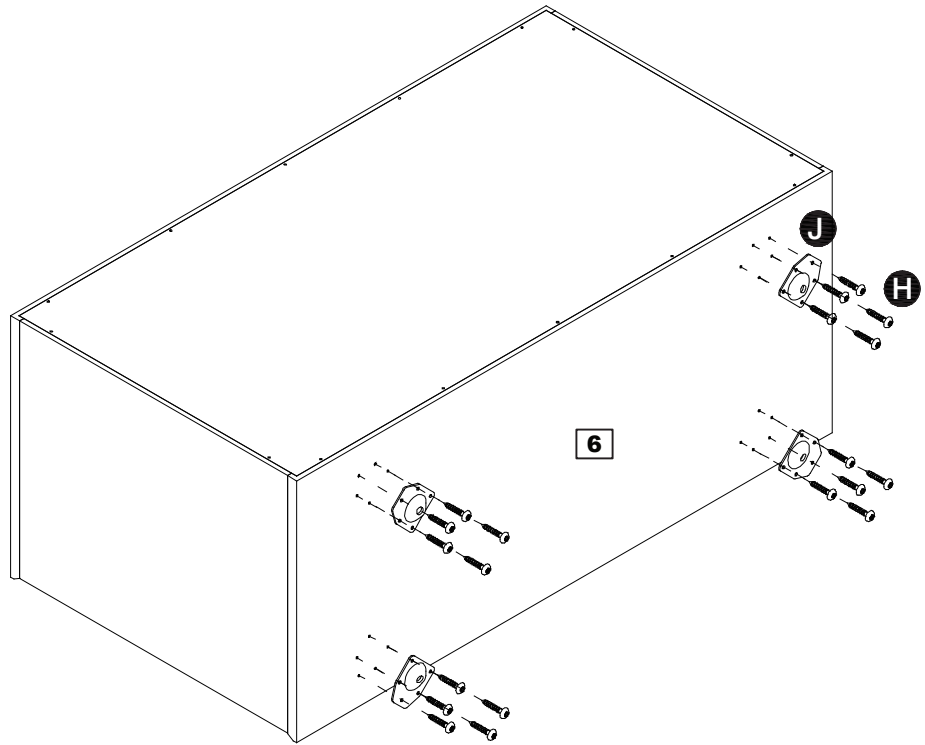


# Assembly Instructions

## Step 7

### Preparing base

Secure metal brackets **J** to base panel **6** using screws **H**.

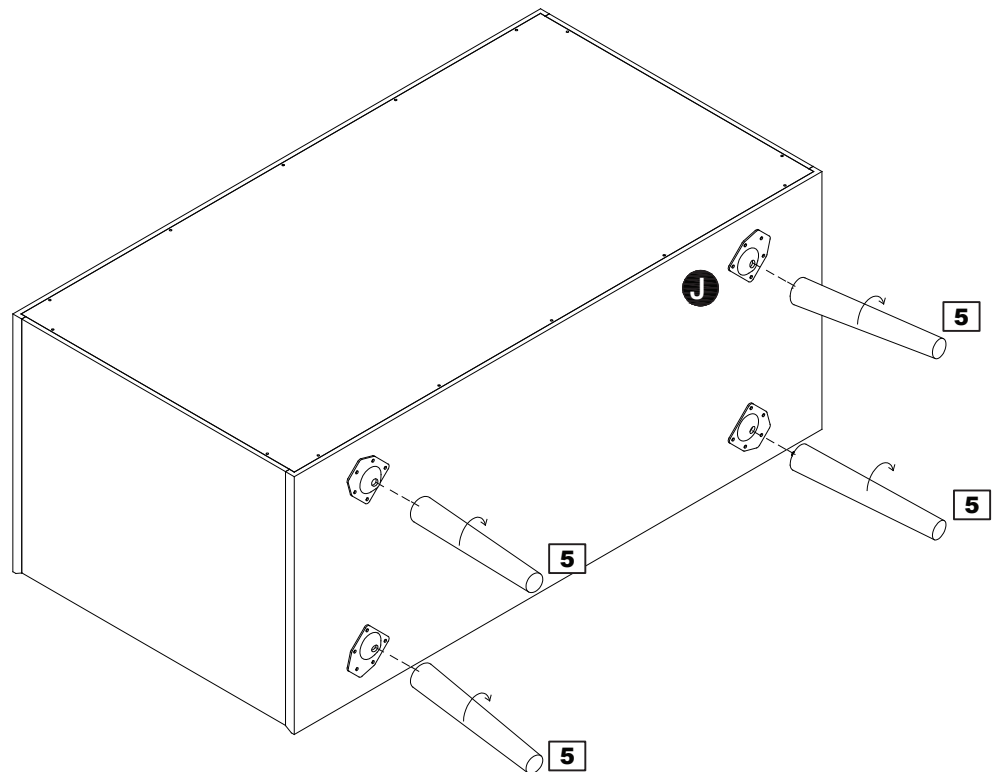


## Step 8

### Attaching legs

Screw legs **5** onto metal brackets **J** until they are secure.

Do not overtighten.





# Assembly Instructions

## Step 9

### Assembling drawers

**a:** Locate drawer side panels **10** and **11** onto drawer front panel **13**.

**Note:** Ensure all grooves are correctly located at the bottom.

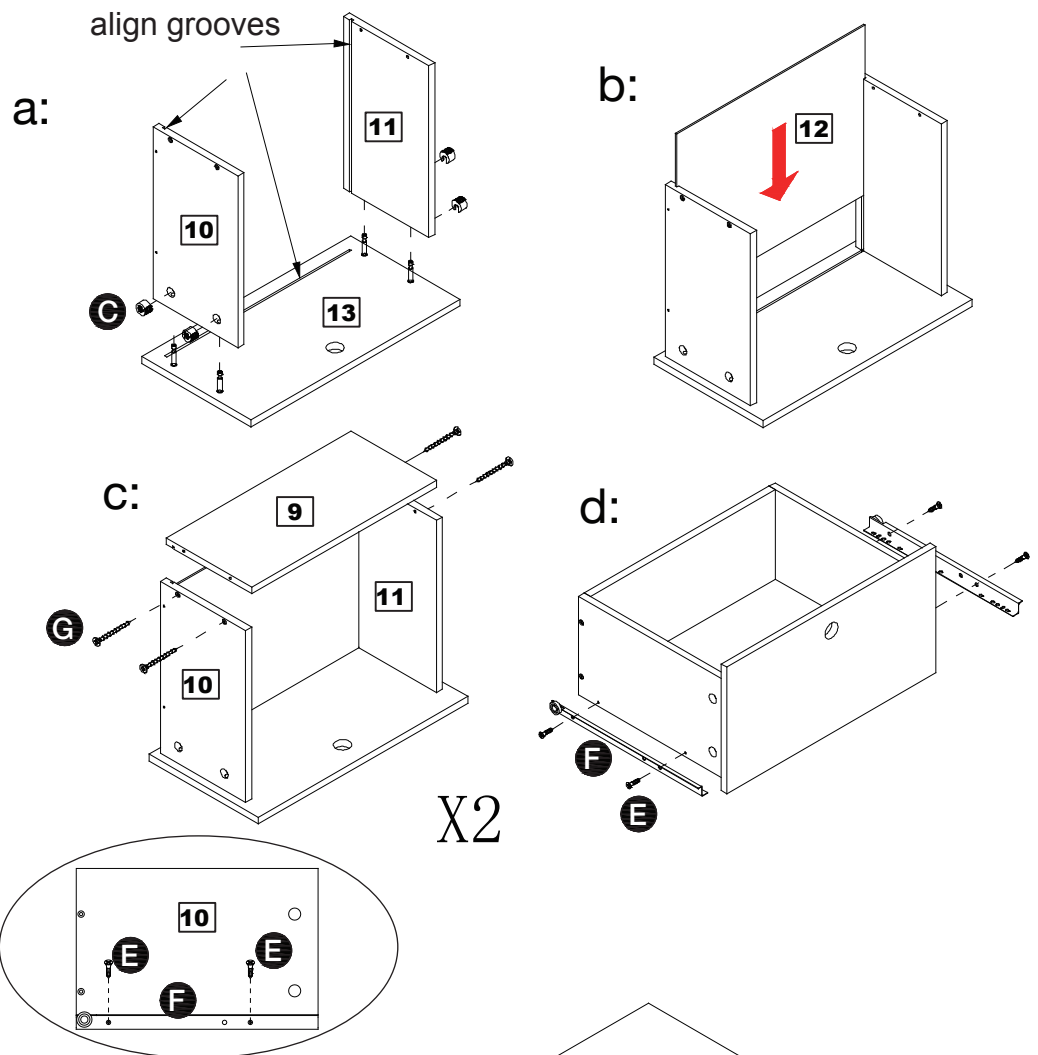
Insert small locking nuts **C** into drawer side panels **10** and **11**. Turn locking nuts clockwise to secure.

**b:** Slide drawer base panel **12** into the groove.

**c:** Locate drawer back panel **9** in between drawer side panels **10** and **11**. Secure using screws **G**.

**d:** Locate drawer runners **F** onto each side of the drawer body. Secure using screws **E**.


Repeat for both drawers.



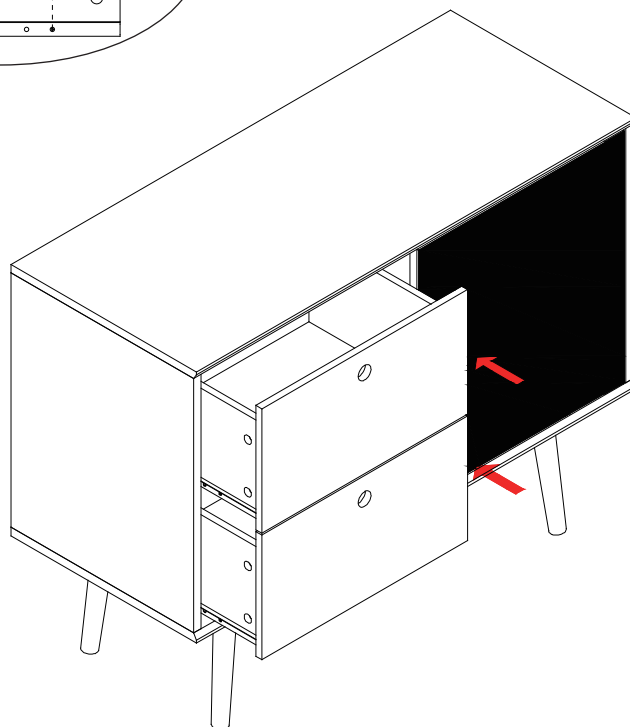
## Step 9

### Locating drawers

With help, turn the whole unit upright.

 **Warning:** The unit is heavy. Lift with care.

Carefully slide drawers into position as shown.



**Assembly is complete**

If you need help or have damaged or missing parts, call the **Customer Helpline: 0345 6400 800** Home Retail Group. 489-499 Avebury Boulevard. Saxon Gate West. Central Milton Keynes. MK9 2NW