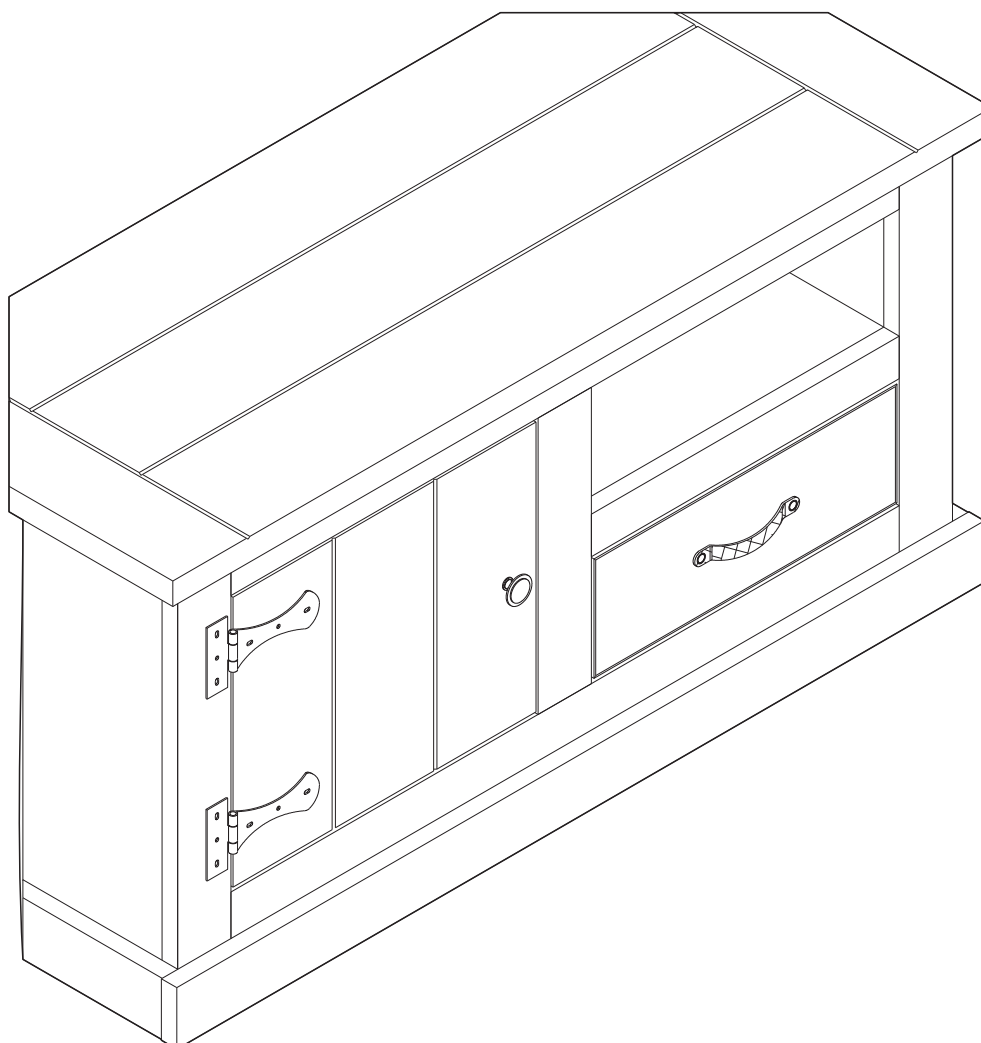


SAN DIEGO - Corner TV Unit

Assembly Instructions - Please keep for future reference

385/8651



Dimensions

Width - 100cm

Depth - 40cm

Height - 50cm

Important – Please read these instructions fully before starting assembly

If you need help or have damaged or missing parts, call the **Customer Helpline: 03456 400 800**

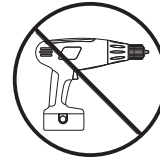


Safety and Care Advice

Important – Please read these instructions fully before starting assembly

- Check you have all the components and tools listed on pages 2 and 3.
- Remove all fittings from the plastic bags and separate them into their groups.
- Keep children and animals away from the work area, small parts could choke if swallowed.
- Make sure you have enough space to layout the parts before starting.
- Do not stand or put weight on the product, this could cause damage.
- Assemble the item as close to its final position (in the same room) as possible.
- Assemble on a soft level surface to avoid damaging the unit or your floor.

- This product has been produced from natural timber; you may notice some variation in the grain and colour of different component parts which is normal for furniture produced using natural wood and is not the result of any manufacturing fault.
- The product has been treated with a wax and oil finish to prevent dirt ingress and preserve moisture.
- On unpacking the furniture you may notice an odour due to this treatment; this will disappear once the furniture is unpacked and assembled after a period of time.
- This process may leave some staining on the packaging material; please take care to ensure this does not transfer to clothing or carpeted surfaces during assembly.



as this could damage the unit. Only use hand screwdrivers.

- We do not recommend the use of power drill/drivers **for inserting screws**,

- Parts of the assembly will be easier with 2 people.
- Dispose of all packaging carefully and responsibly.

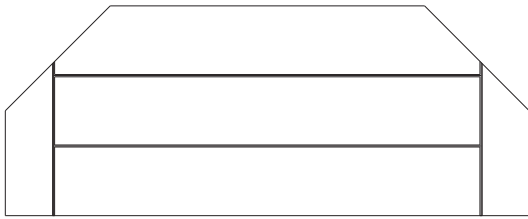
Care and maintenance

- Use an appropriate furniture polish for natural wood furniture and a dry cloth to clean the product.
- Avoid placing the furniture in direct sunlight as this will cause the timber to prematurely age.
- From time to time check that there are no loose screws on this unit.
- This product should not be discarded with household waste. Take to your local authority waste disposal centre.

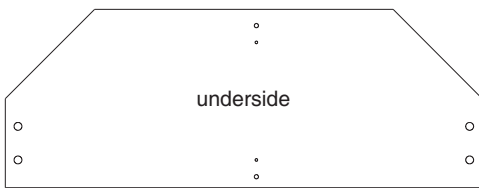
Note: If required the next page can be cut out and used as reference throughout the assembly. Keep this page with these instructions for future reference.

Components - Panels

Please check you have all the panels listed below



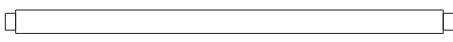
1 Top panel (100 x 40cm)



2 Base panel (91 x 34cm)



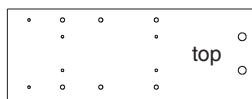
3 Front plinth (98.6 x 6.5cm)



4 Top front frame (85.6 x 4.5cm)



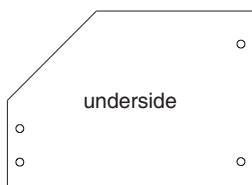
5 Bottom front frame (85.6 x 6.5cm)



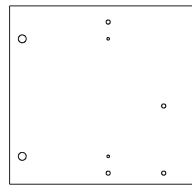
6 Right side panel (47.2 x 18cm)



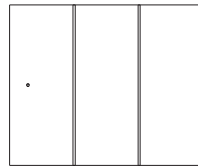
7 Left side panel (47.2 x 18cm)



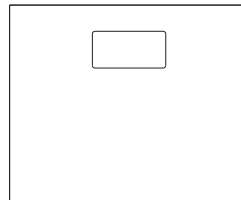
8 Shelf (47 x 34cm)



9 Middle wall panel (35.8 x 34cm)



10 Door (30.6 x 37cm)



11 Large back panel (45.6 x 37.6cm)



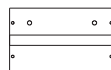
12 Small back panel x 2 (37.6 x 26.6cm)



13 Drawer bottom (35.6 x 18.6cm)



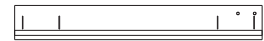
14 Drawer front (37 x 12.6cm)



15 Drawer sides x 2 (20 x 12cm)



16 Drawer back (34.6 x 12cm)



17 Right front frame (47.2 x 6.5cm)



18 Left front frame (47.2 x 6.5cm)



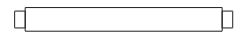
19 Right back frame (47.2 x 6.5cm)



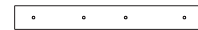
20 Left back frame (47.2 x 6.5cm)



21 Vertical frame (35.3 x 6.5cm)



22 Middle front frame (41.6 x 4.5cm)



23 Cross rail (36 x 4.5cm)



24 Side plinth x 2 (18.8 x 6.5cm)



25 Drawer runner x 2 (17 x 5.5cm)




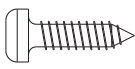



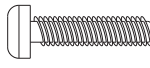
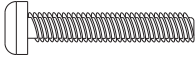
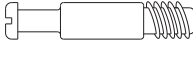


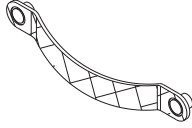
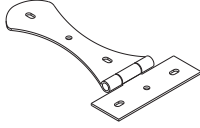

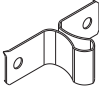
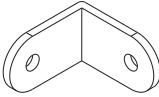
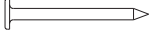
26 Block x 5 (6.6 x 2cm)

Components - Fittings

If you have damaged or missing components, call the **Customer Helpline: 03456 400 800**

Please check you have all the fittings listed below

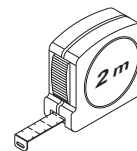
Note: The quantities below are the correct amount to complete the assembly. In some cases more fittings may be supplied than are required.

A  Wooden dowel x 26	B  14mm Screw x 18	C  30mm Screw x 20
D  35mm Screw x 24	E  50mm Screw x 6	F  16mm Bolt x 2
G  25mm Bolt x 1	H  Metal dowel x 14	I  Locking nut x 14
J  Door handle x 1	K  Drawer handle x 1	L  Door hinge x 2
M  Clip x 1	N  Plug x 1	O  Metal bracket x 1
P  Nail x 28		

Tools required



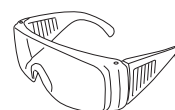
Phillips screwdriver
(small & medium)



Ruler/tape
measure



Small
hammer



Eye protection
(when using a
hammer or glue)

Ruler - Use this ruler to help correctly identify the screws



Assembly Instructions

Step 1

Fixing right front frame to the right side panel
(Two people required for an easier assembly).

a: Insert right side panel **6** into right front frame **17** through joints.

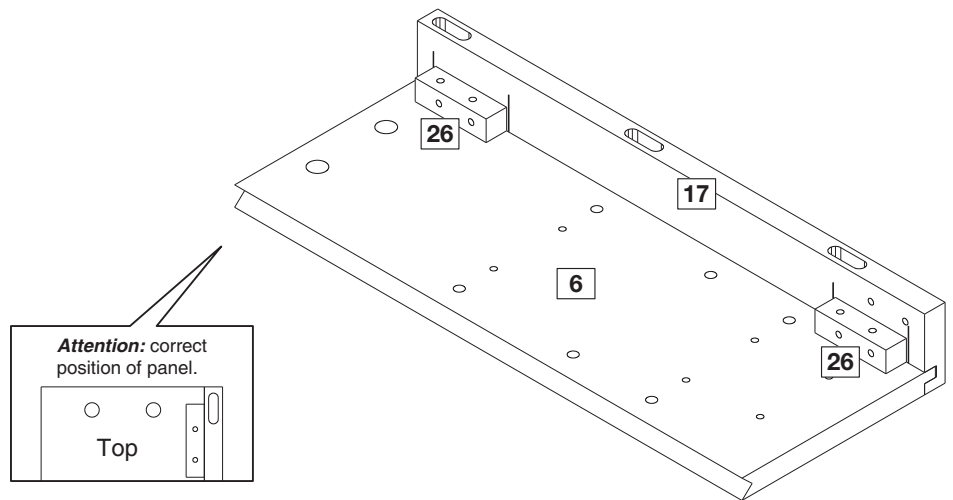
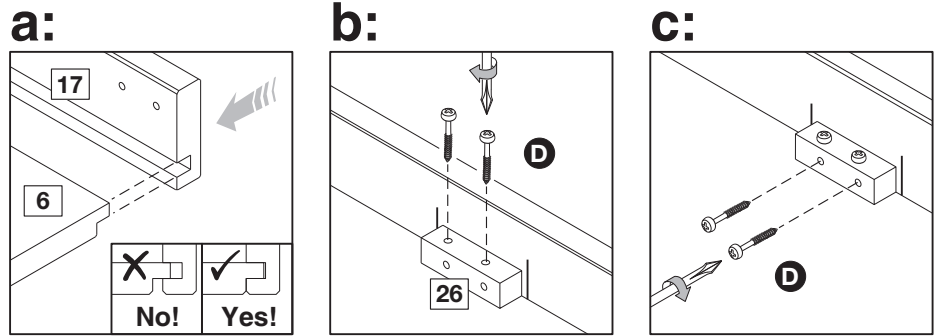


Note:

Before fixing blocks **26** into place it is important to ensure that the slot and groove of parts **6** and **17** are fully pushed together and lined up correctly at the top and bottom.

b: Place blocks **26** between the two marks as shown. First fix to the side panel using screws **D**.

c: Fix front frame through blocks **26** using screws **D**.



Step 2

Fixing left front frame to the left side panel
(Two people required for an easier assembly).

a: Insert left side panel **7** into left front frame **18** through joints.

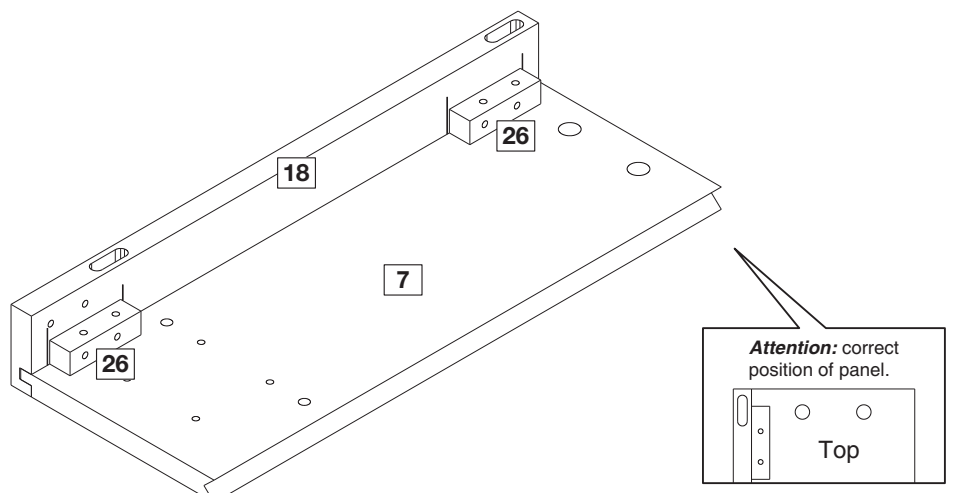
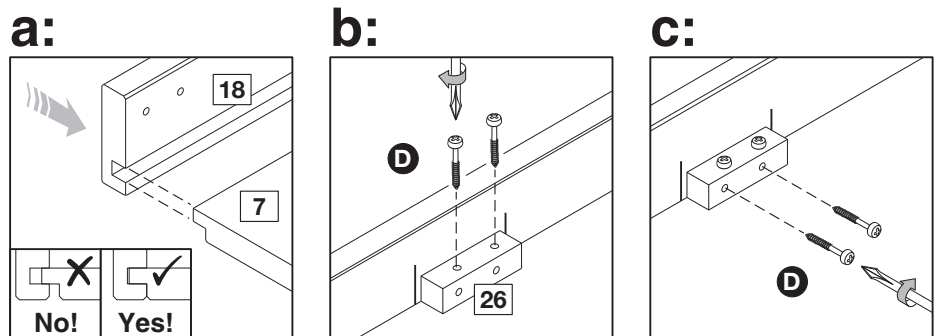


Note:

Before fixing blocks **26** into place it is important to ensure that the slot and groove of parts **7** and **18** are fully pushed together and lined up correctly at the top and bottom.

b: Place blocks **26** between the two marks as shown. First fix to the side panel using screws **D**.

c: Fix front frame through blocks **26** using screws **D**.



Assembly Instructions

Step 3

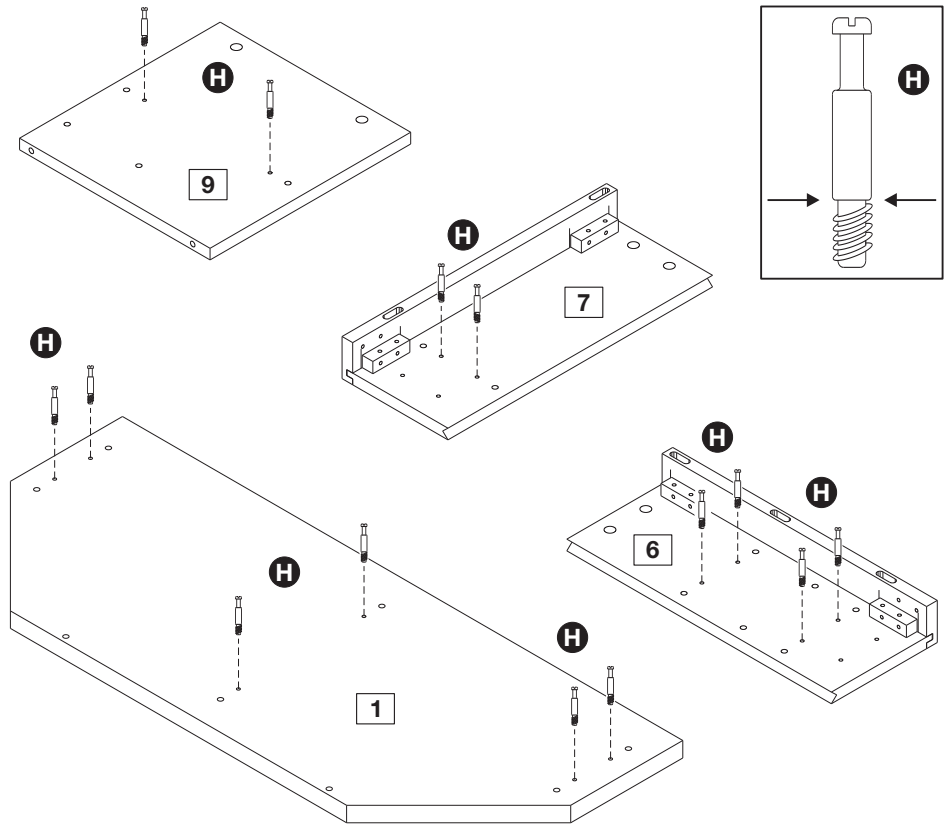
Fitting Metal dowels.

Screw metal dowels **H** into right side panel **6**, left side panel **7**, middle wall panel **9** and top panel **1**.



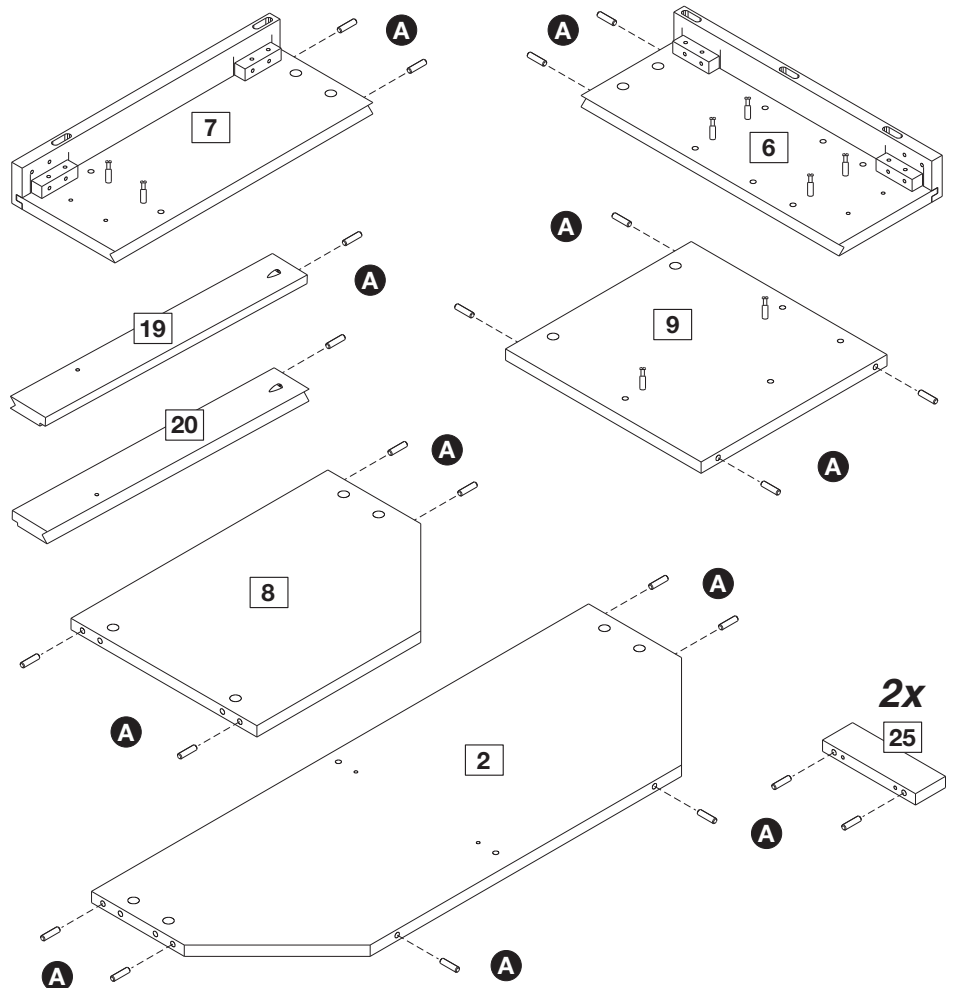
Note: Insert metal dowels as far as shown.

Do not over tighten.



Step 4

Insert dowels **A** into the indicated parts.



Assembly Instructions

Step 5

Fixing shelf.

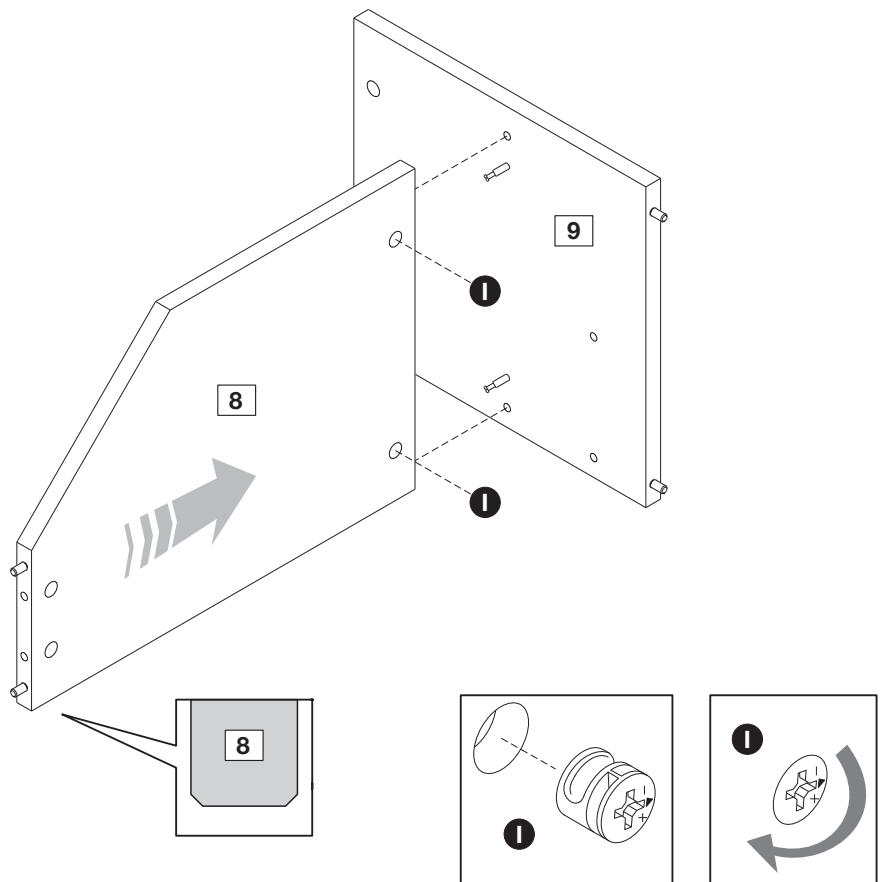
With help, fit shelf **8** to the middle wall panel **9**.

Insert 2 locking nuts **1** into shelf where shown.

Use a screwdriver to turn locking nuts **1** clockwise to lock.

Do not over tighten.

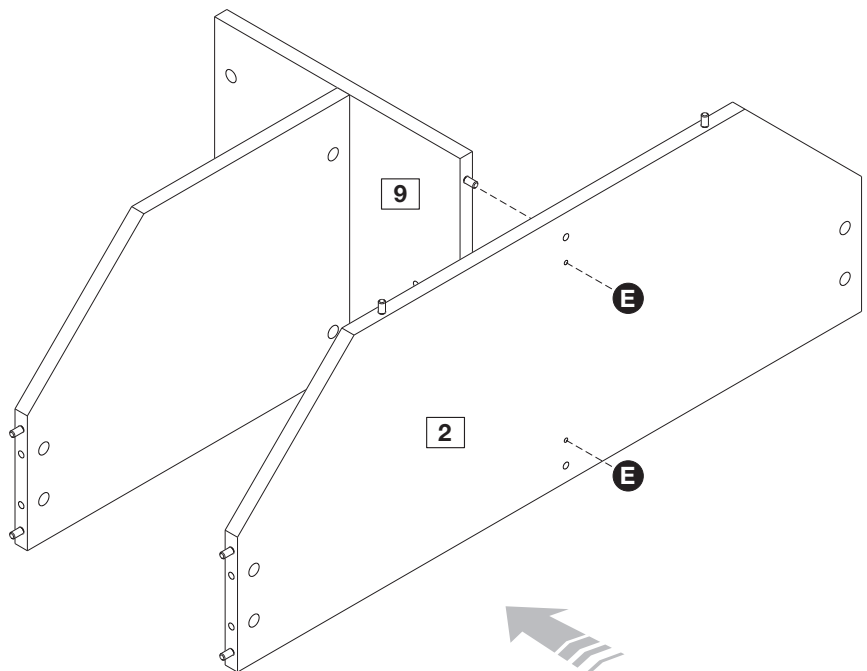
Make sure round edge on shelf **8** must face down.



Step 6

Fixing middle wall panel.

With help, fit middle wall panel **9** to the base panel **2** then fix them using screws **E**.

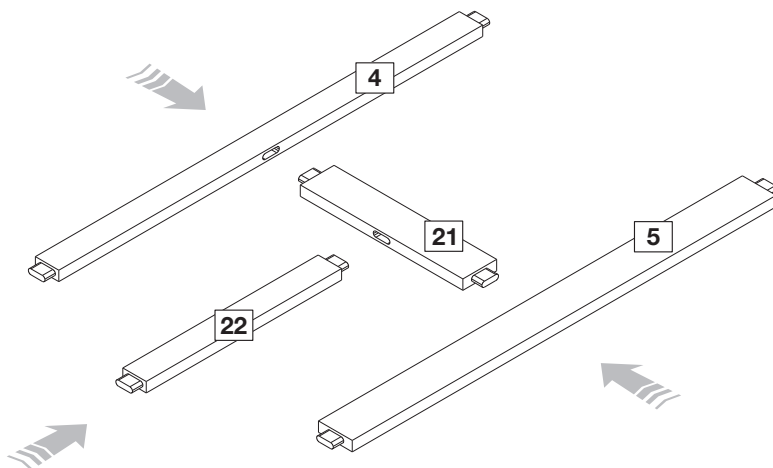


Assembly Instructions

Step 7

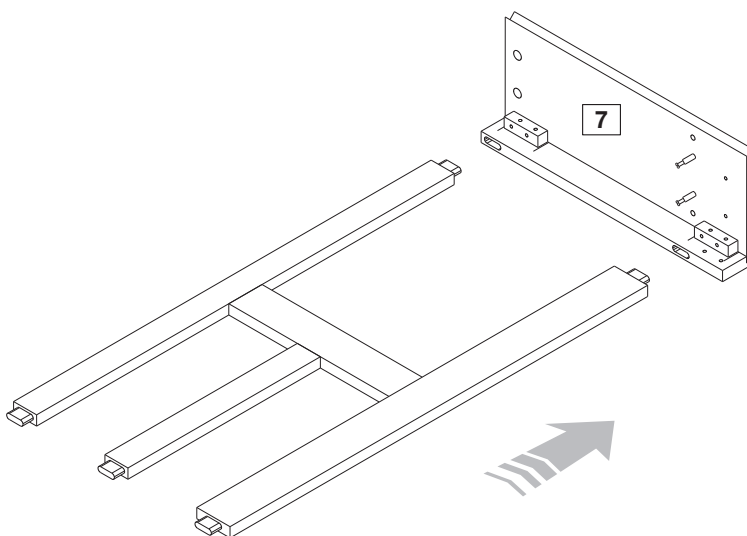
Assembling parts.

Put parts **4**, **5**, **21** and **22** together as shown in the diagram.



Step 8

Insert the assembled frame into the holes on left side panel **7**.



Step 9

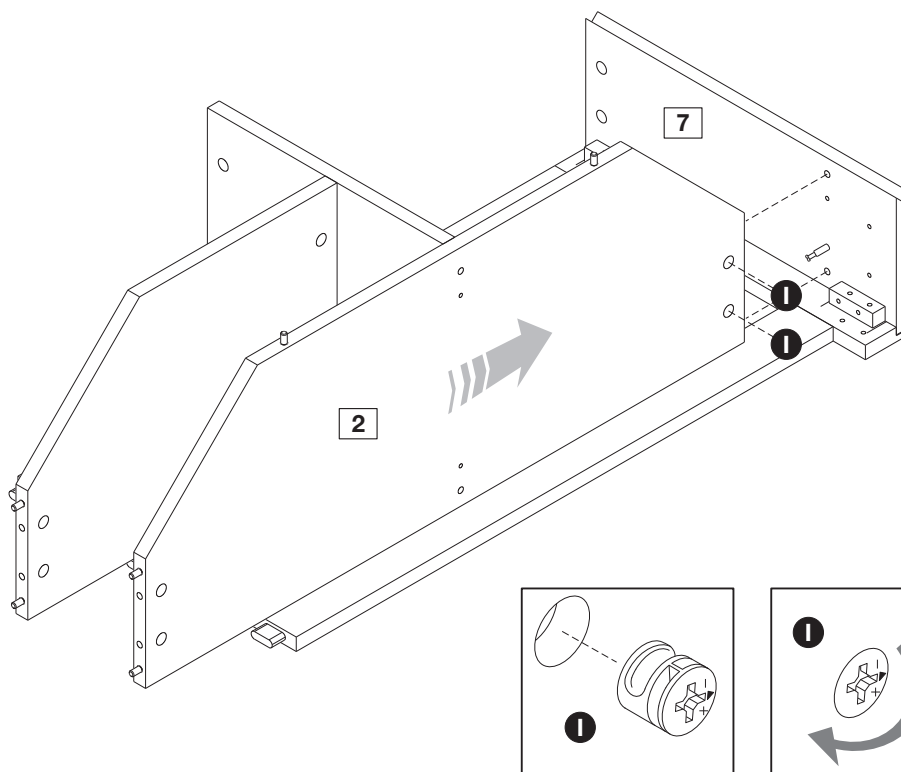
Fixing base panel.

With help, fit base panel **2** to the left side panel.

Insert 2 locking nuts **1** into base panel where shown.

Use a screwdriver to turn locking nuts **1** clockwise to lock.

Do not over tighten.



Assembly Instructions

Step 10

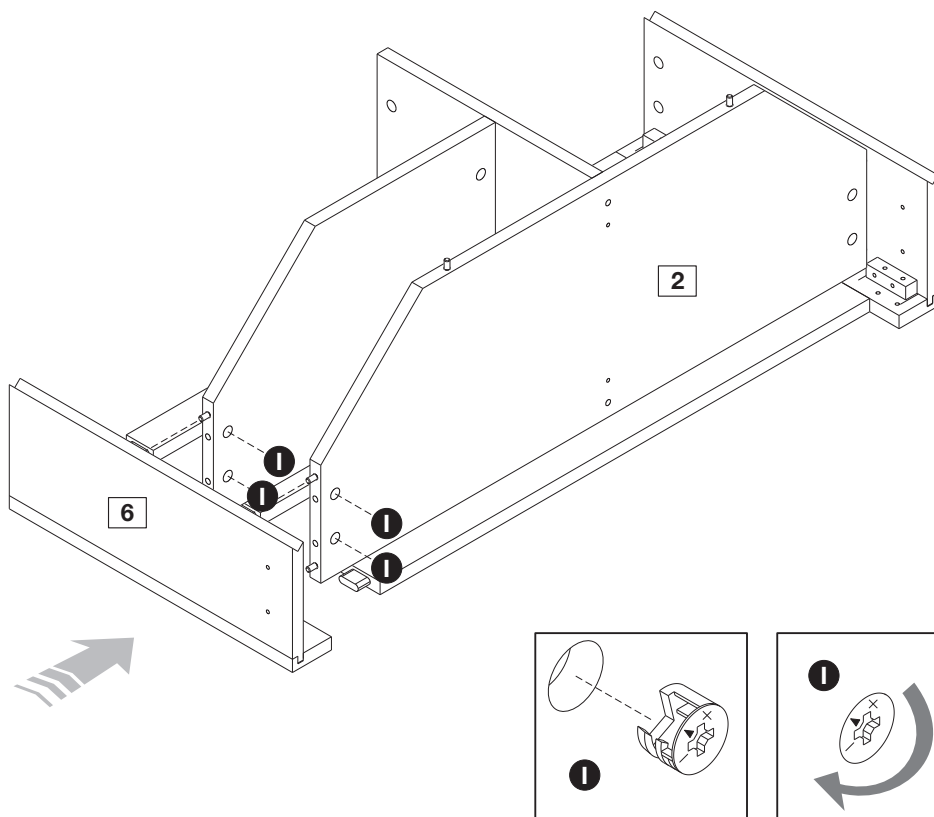
Fixing right side panel.

With help, place right side panel **6** properly ensuring dowels and front frames are all fit into their holes at the same time.

Insert 4 locking nuts **1** into shelf and base panel where shown.

Use a screwdriver to turn locking nuts **1** clockwise to lock.

Do not over tighten.



Step 11

Fixing top panel

(Two people required for an easier assembly).

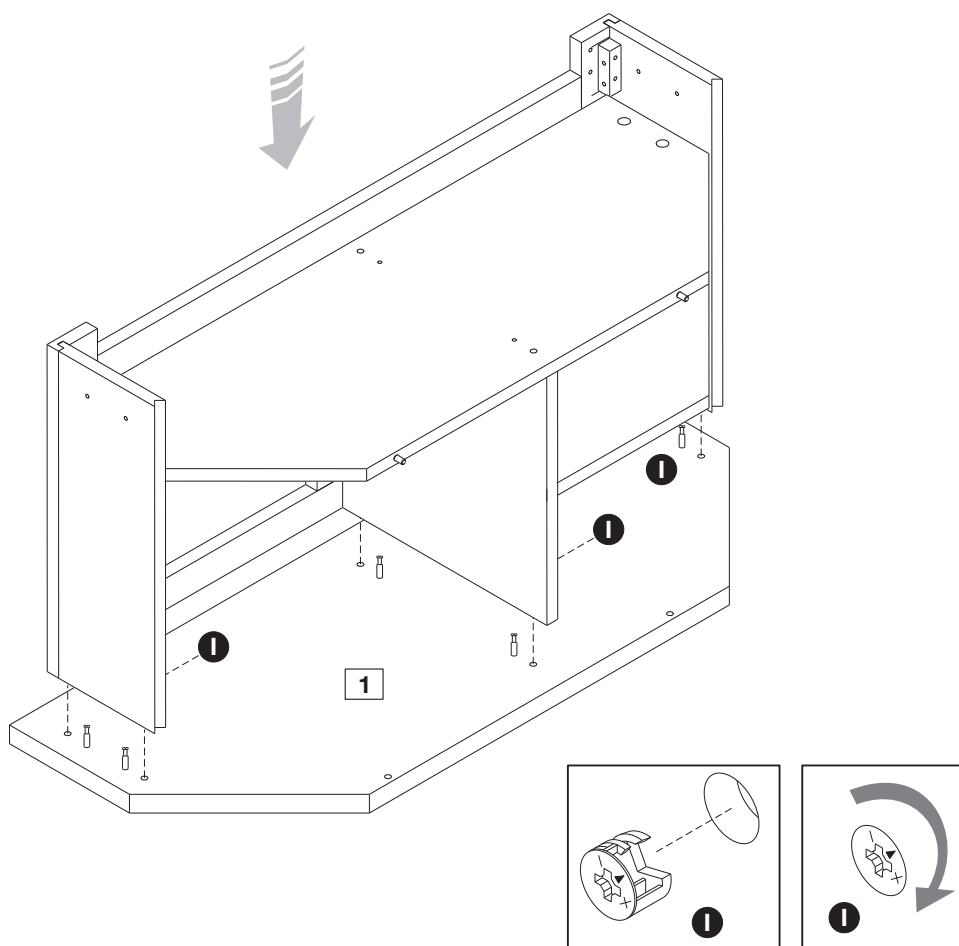
Caution: Carefully lay the top panel on a soft and clean surface to avoid damaging the product.

With help, fit cabinet to the top panel **1**.

Insert 6 locking nuts **1** into side panels and middle wall panel where shown.

Use a screwdriver to turn locking nuts **1** clockwise to lock.

Do not over tighten.



Assembly Instructions

Step 12

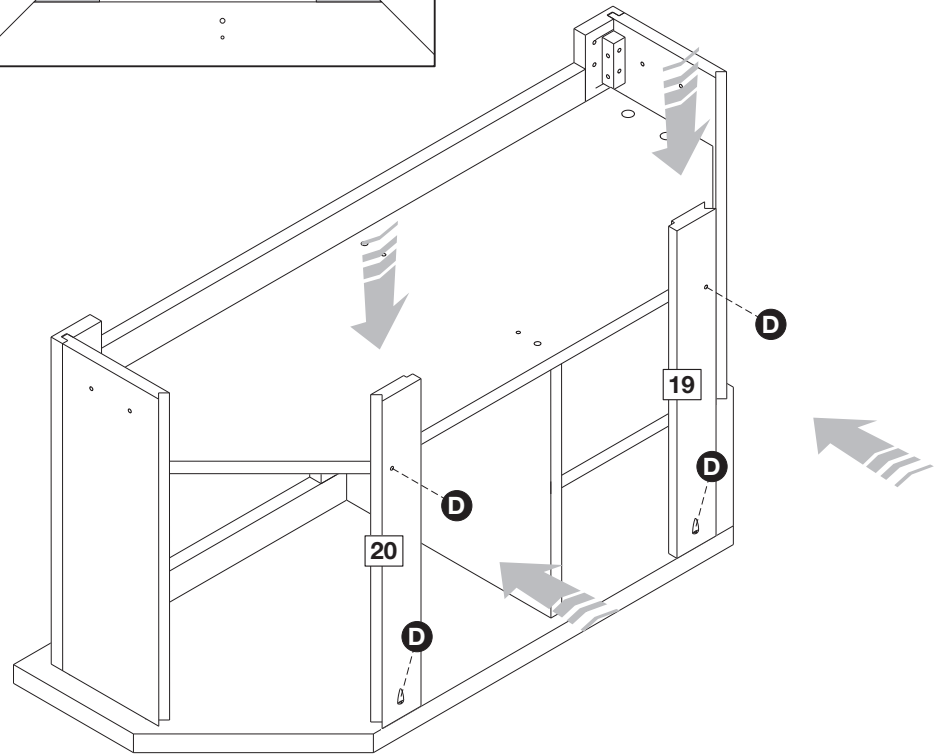
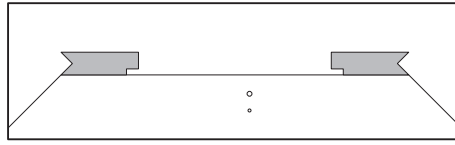
Fixing back frames.

Fit right back frame **19** and left back frame **20** to the top panel and base panel then fix it using screws **D**.



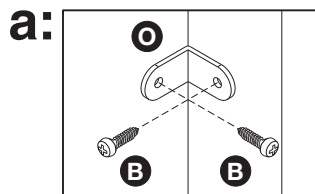
Attention: Make sure back frames are positioned correctly as shown in the diagram.

Attention:

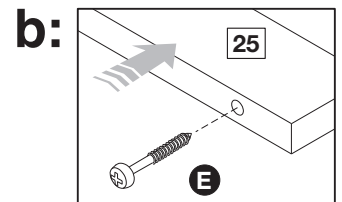
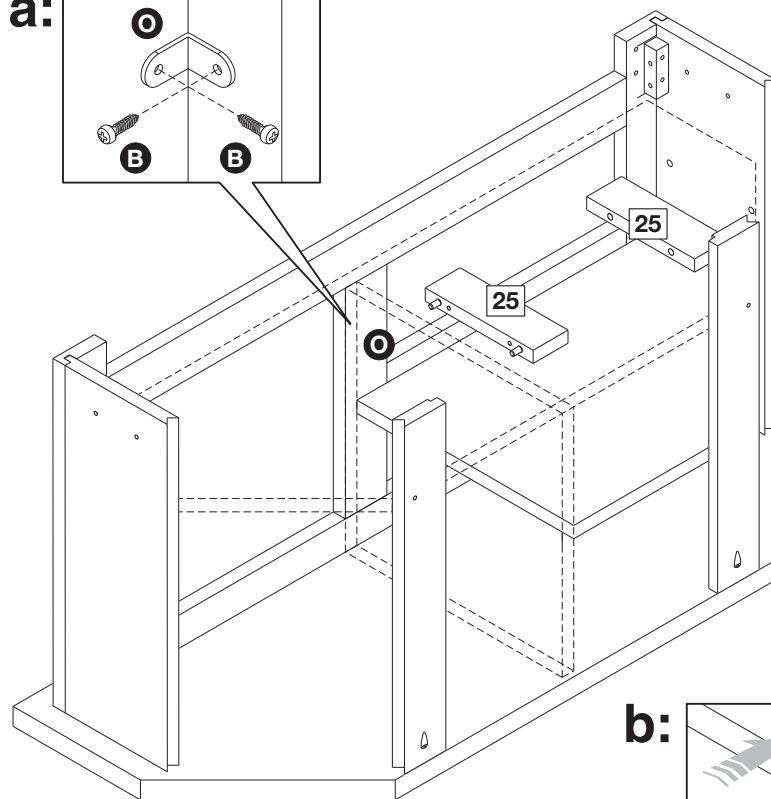


Step 13

a: Fix metal bracket **O** in the middle wall panel and vertical frame using screws **B** as shown.



b: Fit drawer runners **25** to the right side panel and middle wall panel then fix it using screws **E** as shown.



Assembly Instructions

Step 14

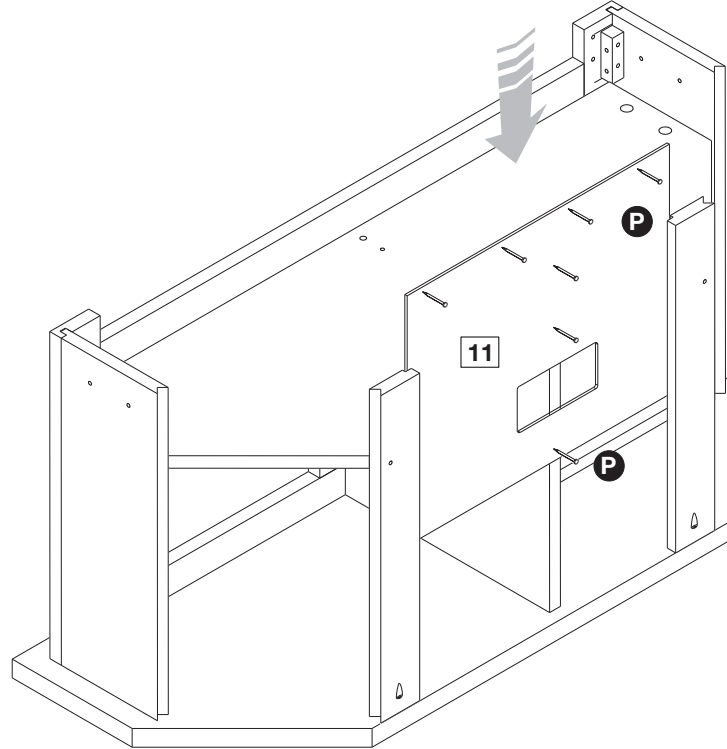
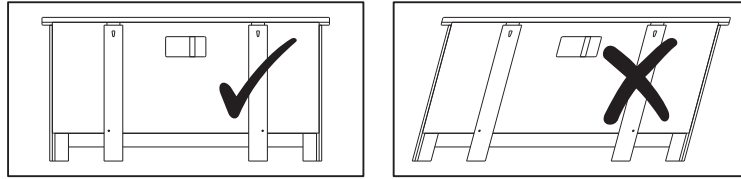
Fixing large back panel.



Important:

Cabinet **MUST** be 'square' when back panel are attached.

Fit large back panel **11** to the back frames then fix it using nails **P**.



Step 15

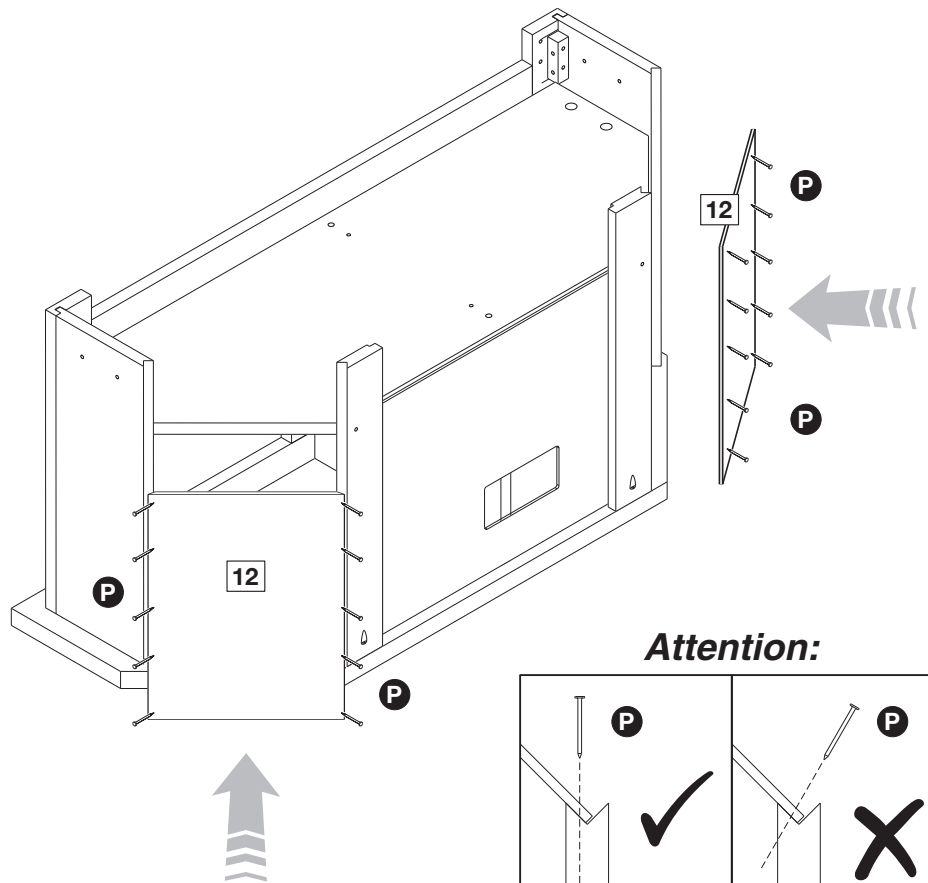
Fixing small back panels.

Attach small back panels **12** using nails **P**.




Attention:

Make sure nails are positioned correctly as shown in the diagram.




Assembly Instructions


Step 16

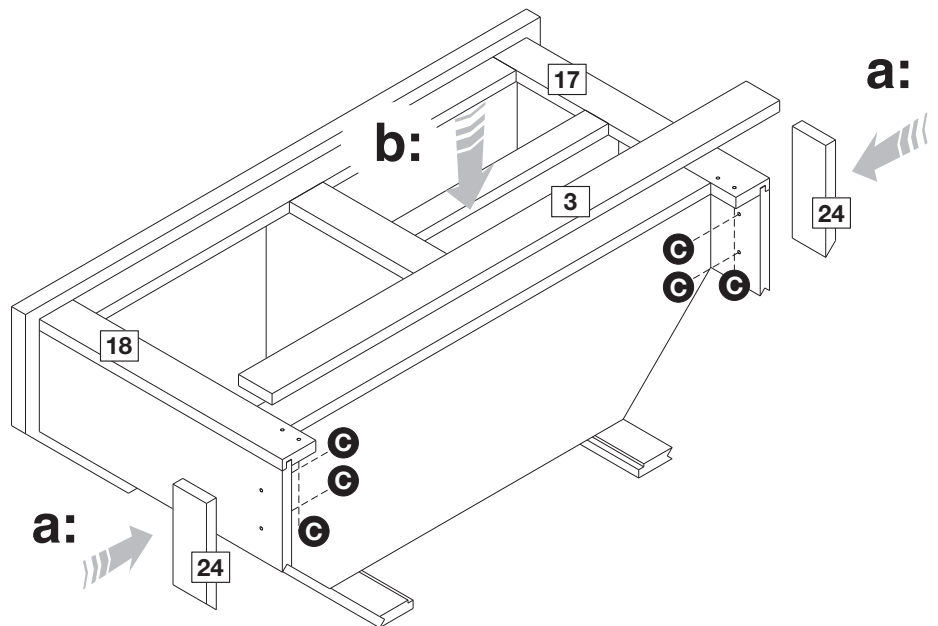
 **Important:** With help, carefully lay down the product.

a: Fix side plinths **24** to the side panels using screws **C**.

 **Note:** Make sure side plinths are aligned to the bottom and front edges of the side panels.

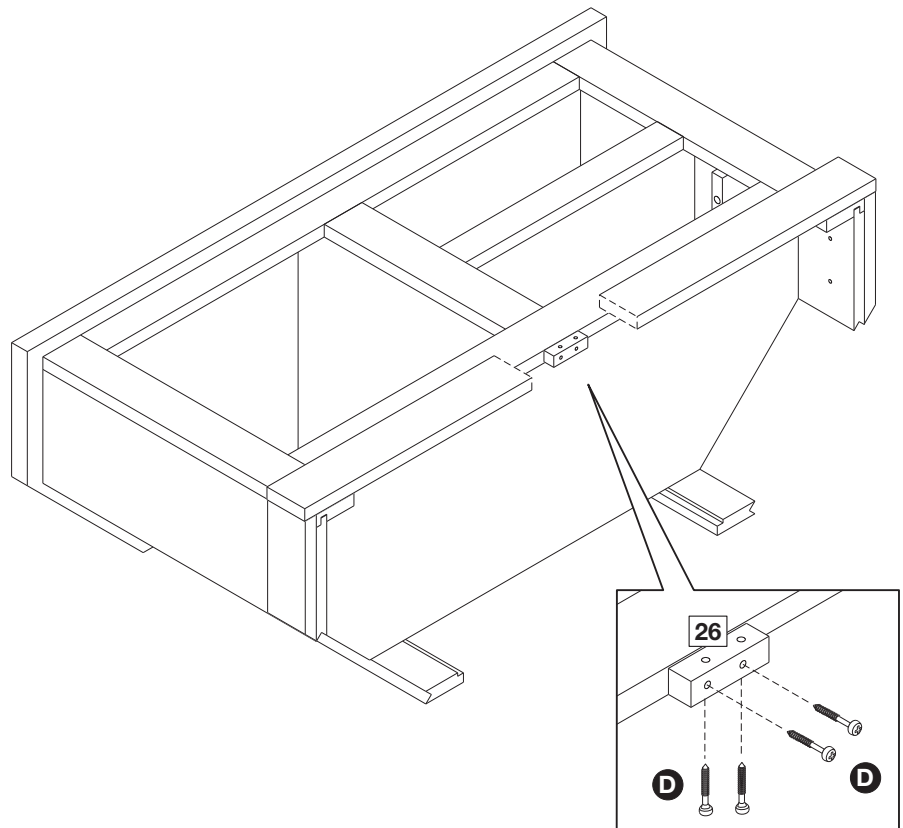
b: Fix front plinth **3** to the front frames **17** and **18** using screws **C**.

 **Note:** Make sure front plinth **3** is aligned to the bottom edge of the side panels and in line to the side plinths.



Step 17

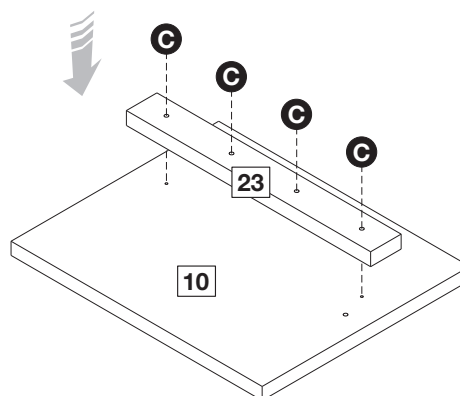
Fix block **26** to the front plinth and bottom front frame using screws **D**.



Assembly Instructions

Step 18

Fix cross rail **23** in the pre drilled holes on door **10** using screws **C**.

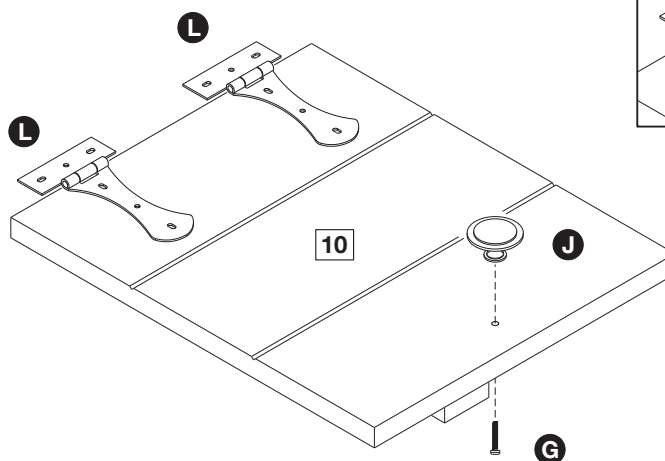


Step 19

Fitting hinges to door.

Attach hinges **L** in the pre marked holes on door **10** using screws **B** as shown.

Attach handle **J** to the door using bolt **G** as shown.



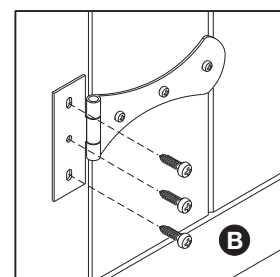
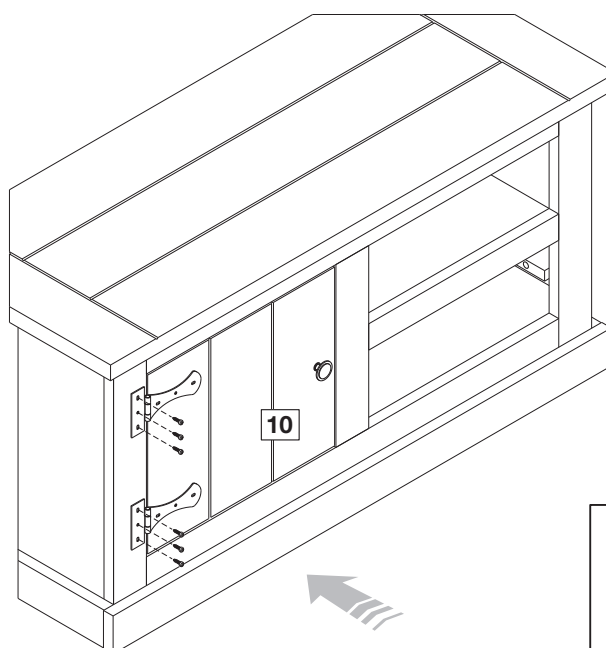
Step 20

Fixing door.

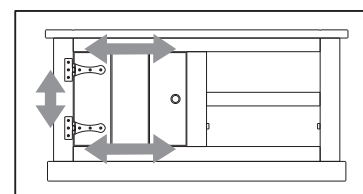
! **Important:** With help, carefully stand the product upright.

With help centralise the door in the opening of the cabinet then fix the hinges using screws **B** as shown.

! **Note:** Hinges allow some adjustment after doors are fixed. Loosen screws and move doors to suit. Re-tighten screws.



Note:



Assembly Instructions

Step 21

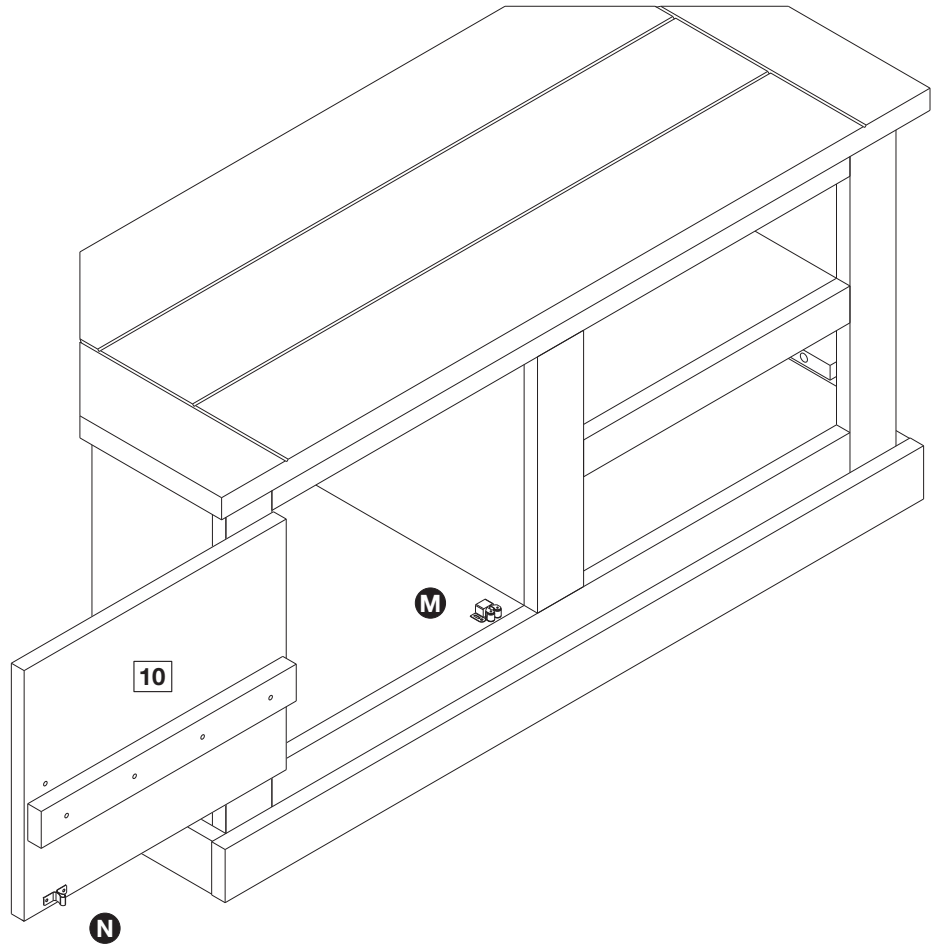
Fitting door lock.

a: Screw clip **M** in place using screws **B**. Ensure that the 2 small wheels are flush with the edge of the base as shown in the diagram.

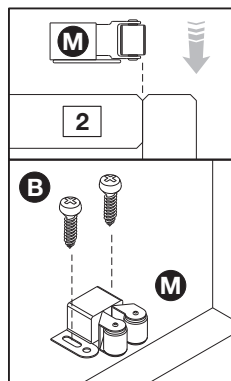
b: Insert plug **N** into clip **M**, ensuring they are leveled as shown in the diagram.

c: Push the door against the plug **N**. This will make 2 small marks on the door as shown in the diagram.

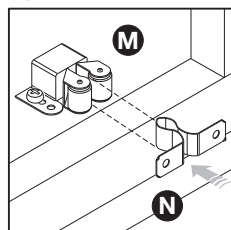
d: The door can then be opened and plug **N** can be screwed into place using the 2 marks made as a guide. This will ensure that the 2 parts of the door clips are lined up correctly.



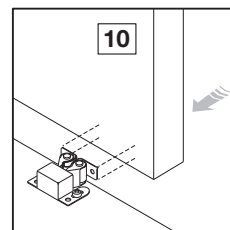
a:



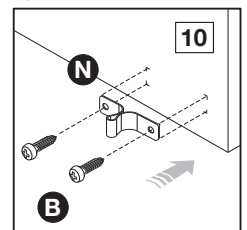
b:



c:



d:



Assembly Instructions

Step 22

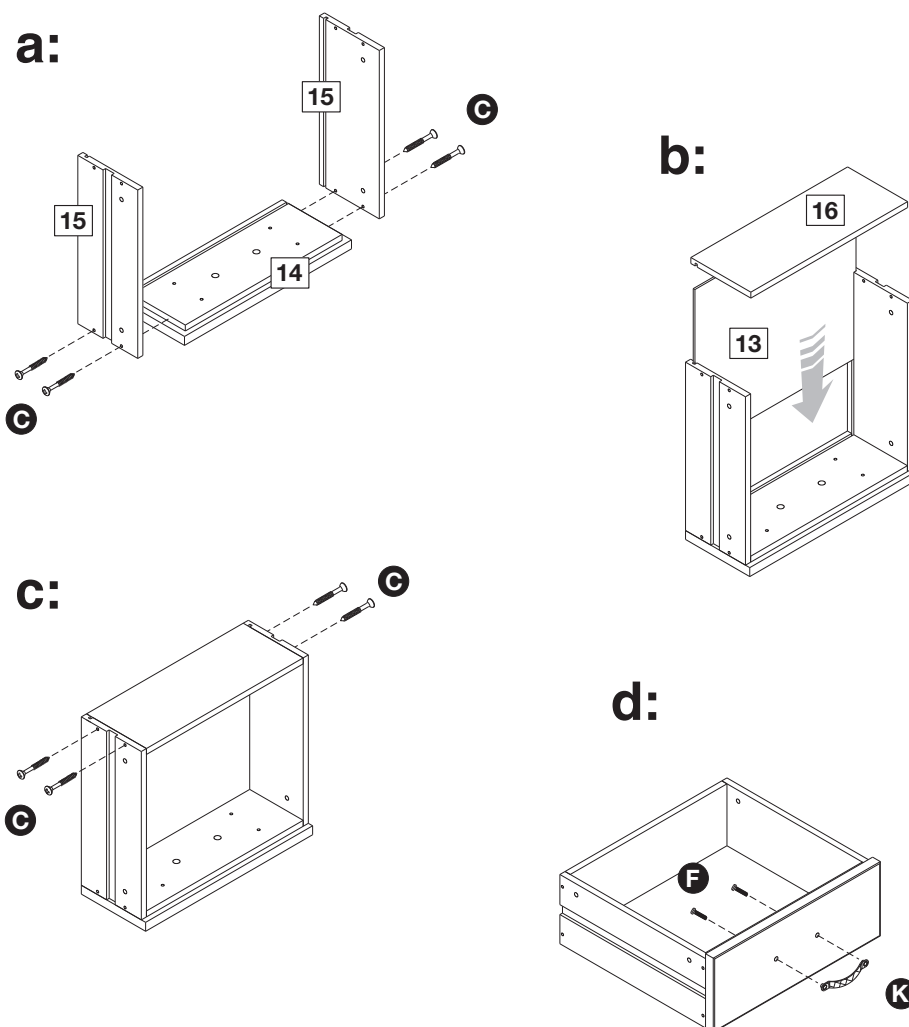
Drawer assembly.

a: Attach drawer sides **15** to the drawer front **14** using screws **C**.

b: Slide drawer bottom **13** into slots on drawer sides and position drawer back **16** in place.

c: Holding the drawer back **16**, press the drawer sides and fix them using screws **C**.

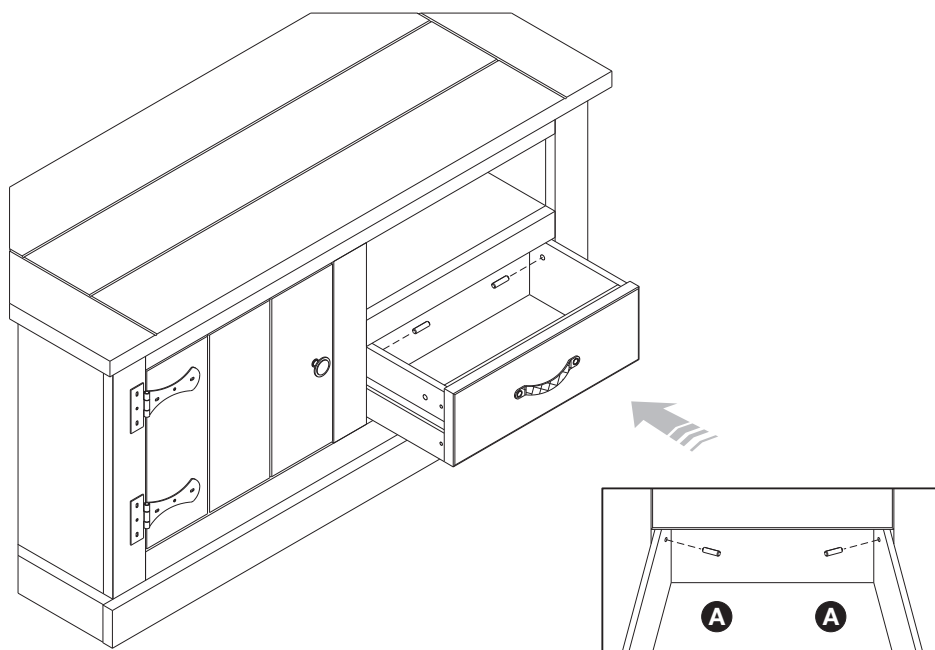
d: Using bolts **F** attach drawer handle **K** to drawer front.



Step 23

Insert drawer into unit. With the back of the drawer past the front frames, use a hammer to tap dowels **A** in flush to drawer sides. This is a safety catch to stop drawer falling out.

Assembly is complete.



If you need help or have damaged or missing parts, call the **Customer Helpline: 03456 400 800**