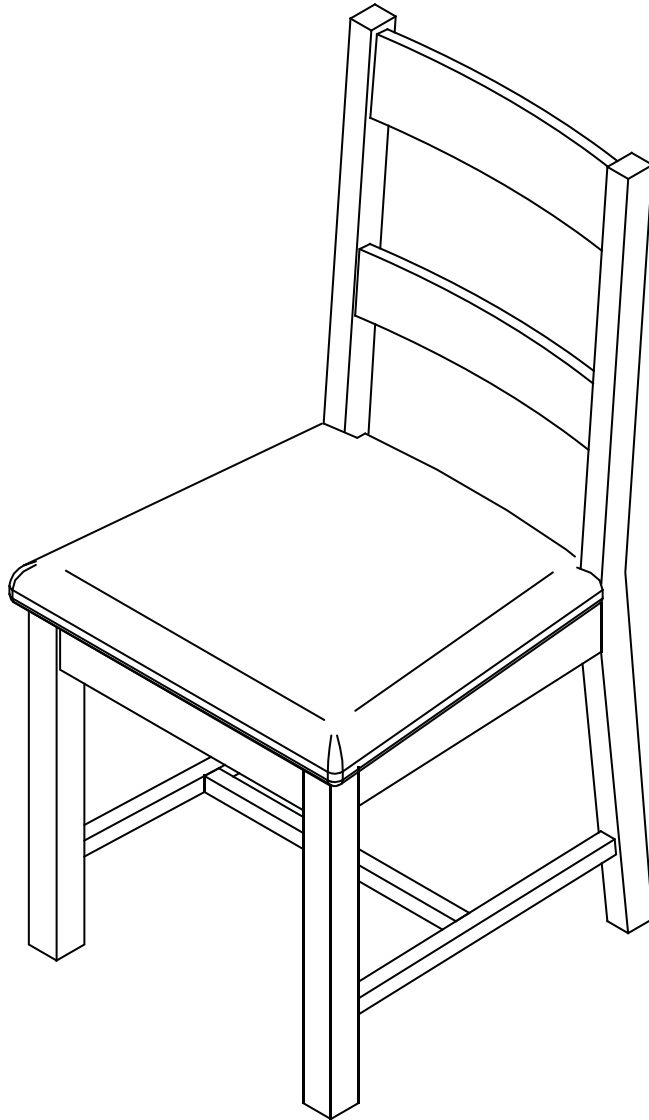


HOH Hadlow Solid Oak Pair Chairs

Assembly Instructions - Please keep for future reference

381/5931



Dimensions - Chairs

Width - 44cm

Depth - 52cm

Height - 86cm

Important – Please read these instructions fully before starting assembly

If you need help or have damaged or missing parts, call the **Customer Helpline:**
Argos = 0845 640800



Safety and Care Advice

Important – Please read these instructions fully before starting assembly

- Check you have all the components and tools listed on pages 2 and 3.
- Remove all fittings from the plastic bags and separate them into their groups.
- Keep children and animals away from the work area, small parts could choke if swallowed.
- Make sure you have enough space to layout the parts before starting.

- Do not stand or put weight on the product during assembly, this could cause damage.
- Assemble the item as close to its final position (in the same room) as possible.
- Assemble on a soft level surface to avoid damaging the unit or your floor.
- Parts of the assembly will be easier with 2 people.



• We do not recommend the use of power drill/drivers **for inserting screws**, as this could damage the unit. Only use hand screwdrivers.

- Dispose of all packaging carefully and responsibly.

Care and maintenance

• Only clean using a damp cloth and mild detergent, do not use bleach or abrasive cleaners.

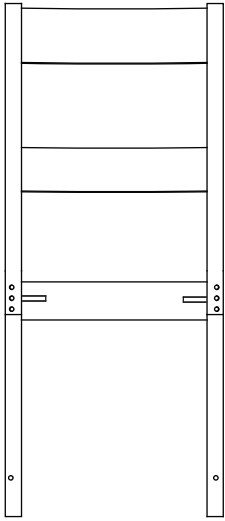
• From time to time check that there are no loose screws on this unit.

• This product should not be discarded with household waste. Take to your local authority waste disposal centre.

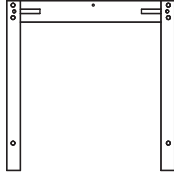
Components - Panels

If you have damaged or missing components, call the Customer Helpline: 0845 640 0800

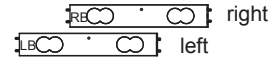
Please check you have all the panels listed below



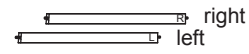
1 Back x 2
(42 x 86cm)



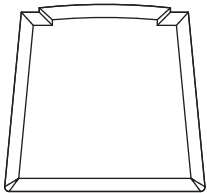
2 Front frame x 2
(43 x 43.5cm)



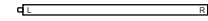
3 Left & right side apron x 2
(34.2 x 5.5cm)



4 Left & right side rail x 2
(34.8 x 2.5cm)



6 Seat x 2
(44 x 42cm)


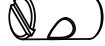

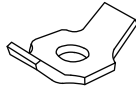
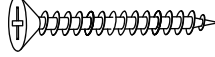
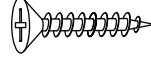
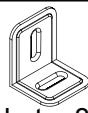
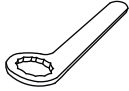


5 middle rail x 2
(34.8 x 2.5cm)

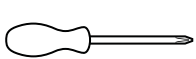
Components - Fittings

Please check you have all the fittings listed below

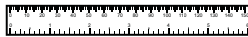
Note: The quantities below are the correct amount to complete the assembly. In some cases more fittings may be supplied than are required.

<p>A </p> <p>M6x80mm Bolt x 8</p>	<p>B </p> <p>20mm Barrel nut x 8</p>	<p>C </p> <p>16mm Nut x 8</p>
<p>D </p> <p>Fly washer x 8</p>	<p>E </p> <p>40mm screw x 12</p>	<p>F </p> <p>15mm Screw x 16</p>
<p>G </p> <p>Bracket x 8</p>	<p>H </p> <p>80mm wrench x 1</p>	

Tools required



Phillips screwdriver
(medium)



Ruler/tape
measure

Ruler - Use this ruler to help correctly identify the screws

0 5 10 15 20 25 30 35 40 45 50 55 60 65 70 75 80 85 90 95 100 105 110 115 120 125 130 135 140 145 150 155 160 165 170



The screws length is measured from the head to the point (30mm screw shown).

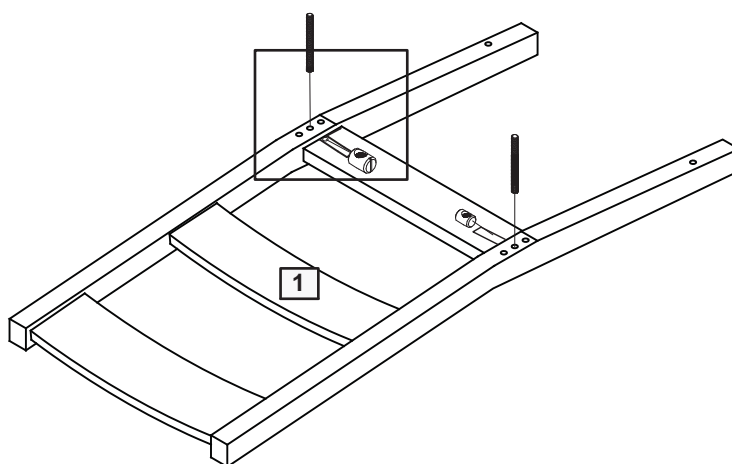
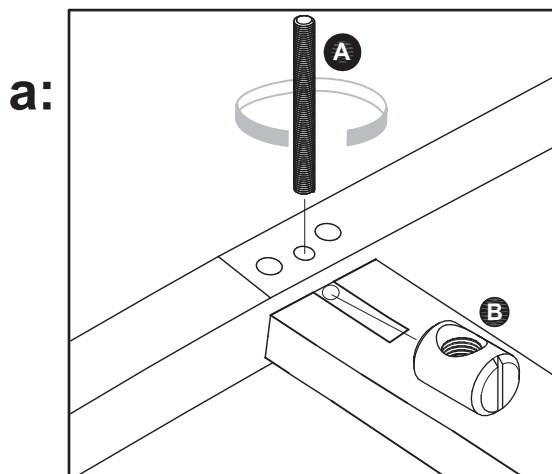
Assembly Instructions

Step 1

Fitting bolts

a: Insert barrel nuts **B** into back **1** as shown.

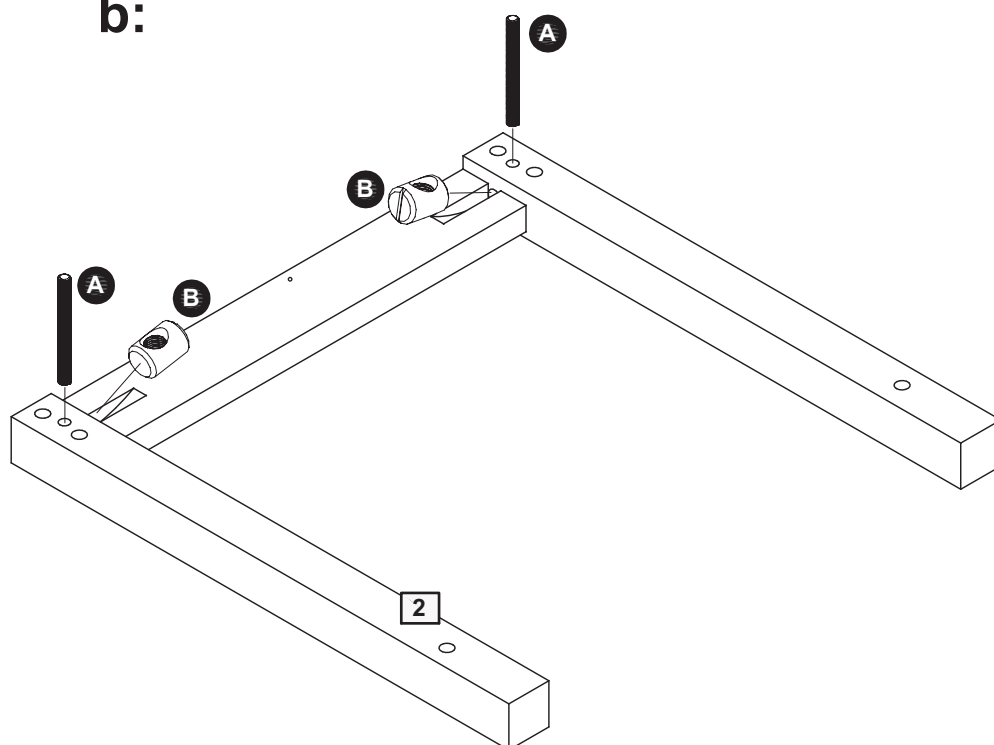
Screw bolts **A** into barrel nut **B** fully.



b: Insert barrel nuts **B** into front frame **2** as shown.

Screw bolts **A** into barrel nut **B** fully.

b:

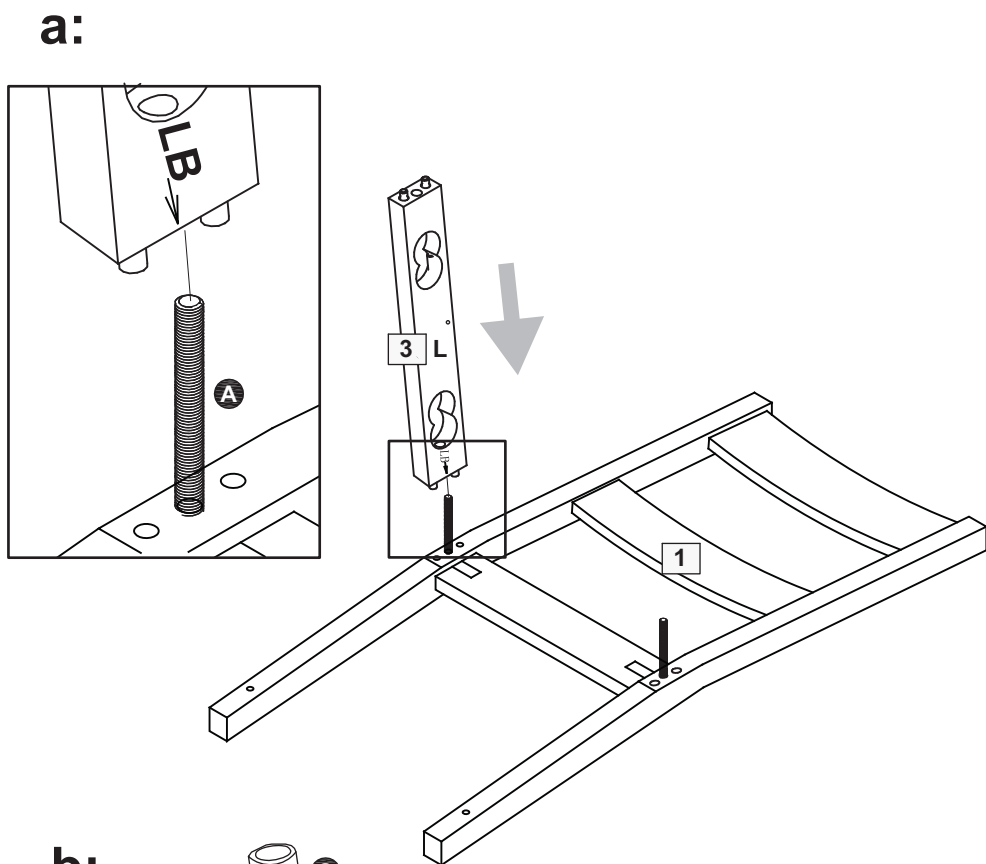


Assembly Instructions

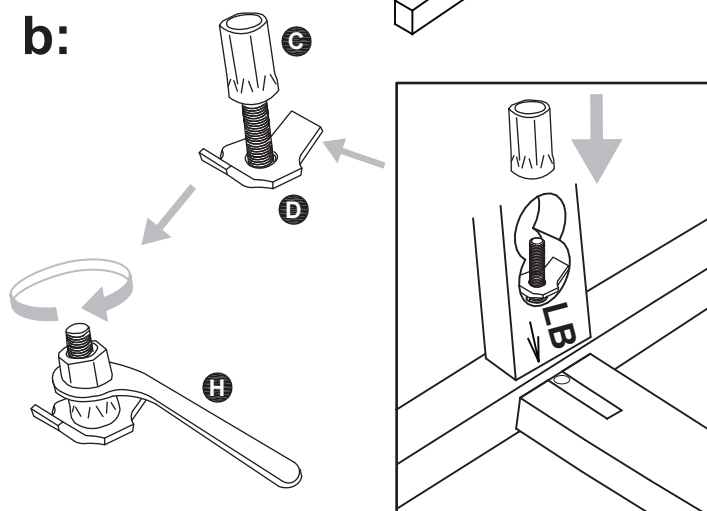
Step 2

Attaching apron

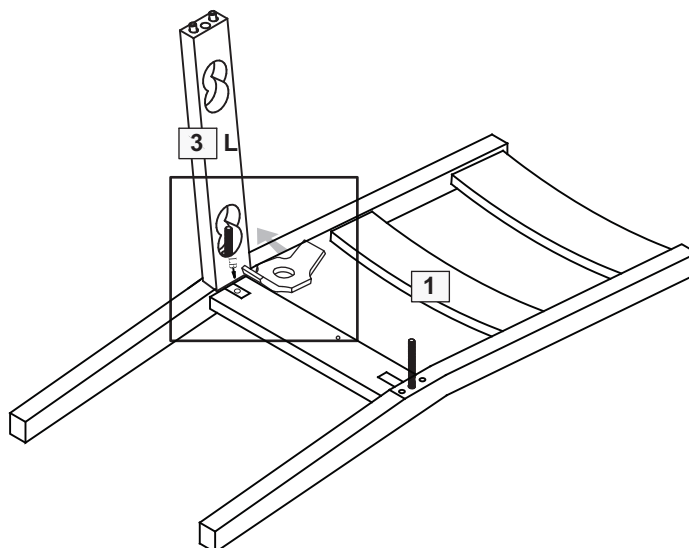
a: Position left apron **3** with its end marked 'LB' onto back **1**, as shown.



b: Slide fly washer **D** into bolt **A**. Loosely secure nut **C** to bolt **A** using wrench **H**.



Note: Do not fully tighten the nut at this point in time.



Continued on next page.

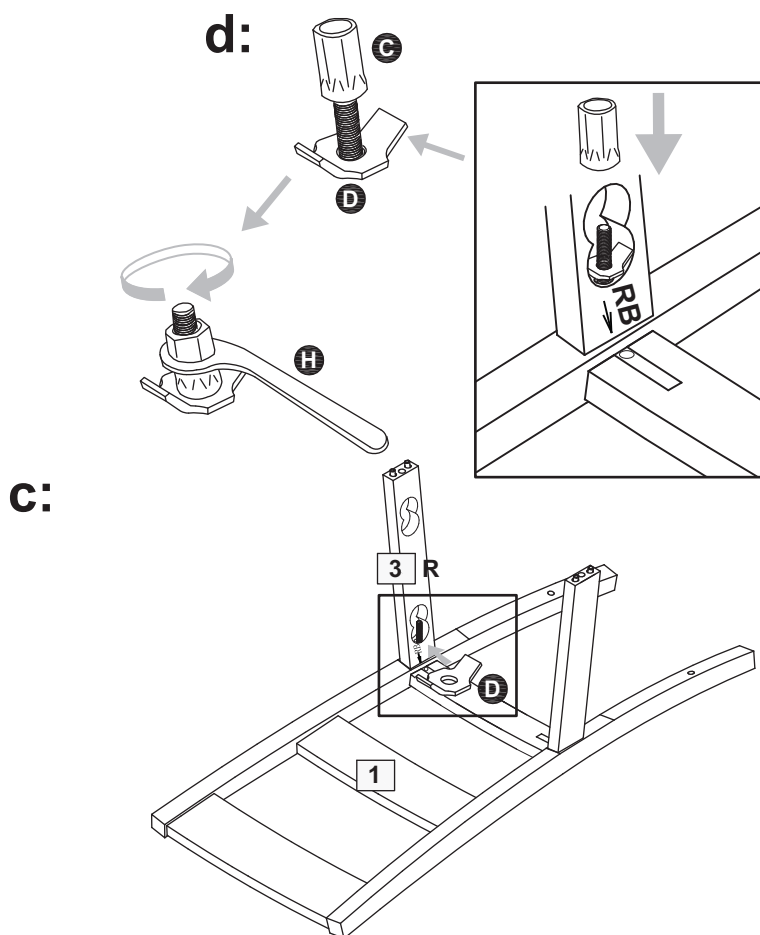
Assembly Instructions

Step 2 (cont'd):

C: Position right apron **3** with its end marked 'RB' onto back **1** as shown.

d: Slide fly washer **D** into bolt **A**. Loosely secure nut **C** to bolt **A** using wrench **H**.

Note: Do not fully tighten the nut at this point in time.



Step 3

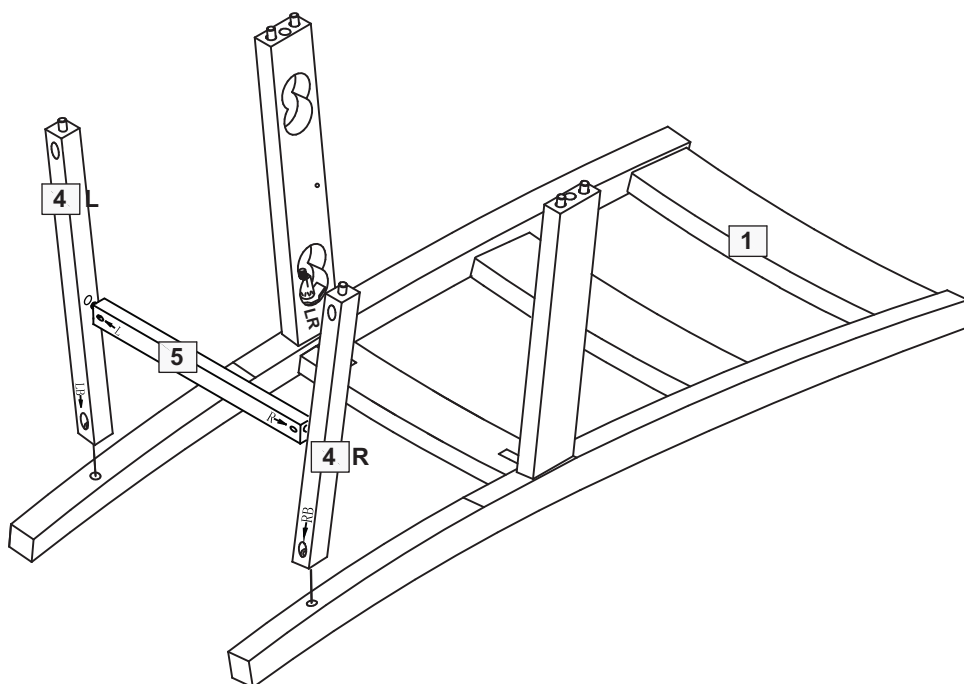
Attaching rails

Insert the end marked 'L' of middle rail **5** into side rail **4** marked L.

Insert the end marked 'R' of middle rail **5** into side rail **4** marked R.

Check that ends of side rails marked 'LB' and 'RB' are on the same side.

Place the rail assembly with ends marked 'LB' and 'RB' onto back **1** as shown.



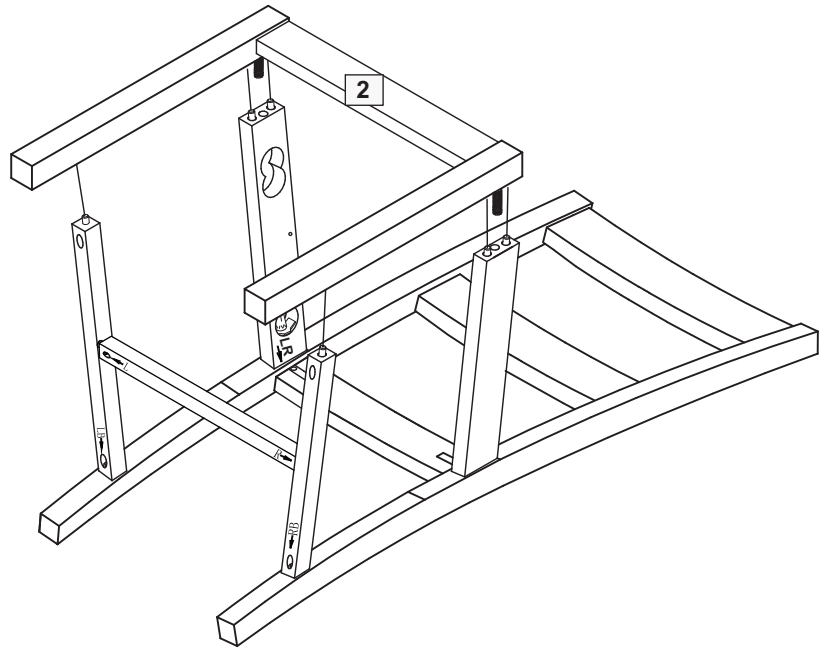
Assembly Instructions

Step 4

Attach front frame

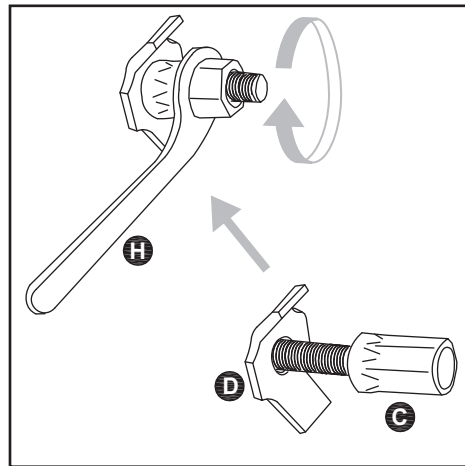
a: Attach front frame **2** to the aprons **3** and side rails **4**.

a:

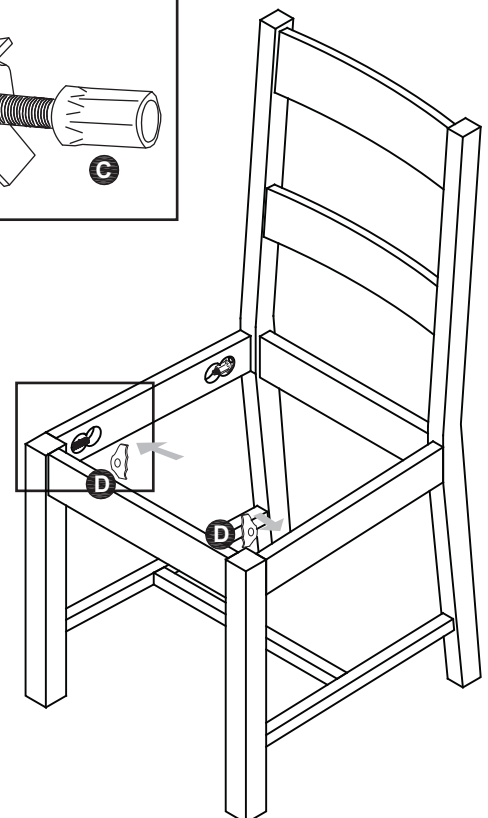


b: Slide fly washers **D** into bolts **A** of front frame **2**. Loosely secure nuts **C** to bolts **A** using wrench **H**.

b:



Then fully tighten all nuts **C**.



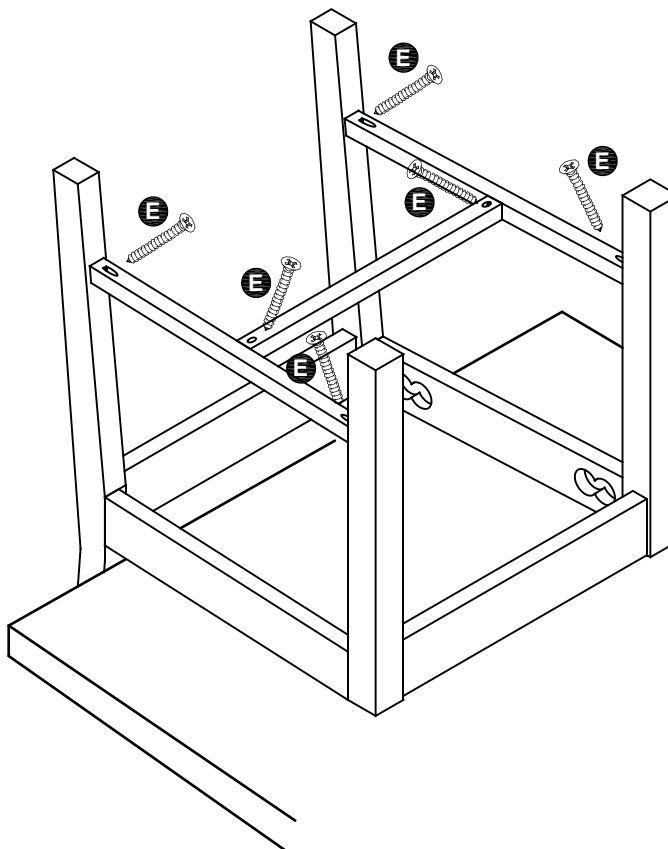
Assembly Instructions

Step 5

Attaching rails

Place the chair assembly upside down on a covered table top.

Fix side rails **4** and middle rail **5** using screws **E**.



Step 6

Attaching seats

Remove chair frame and place seat **6** with its bottom facing up on the covered table top.

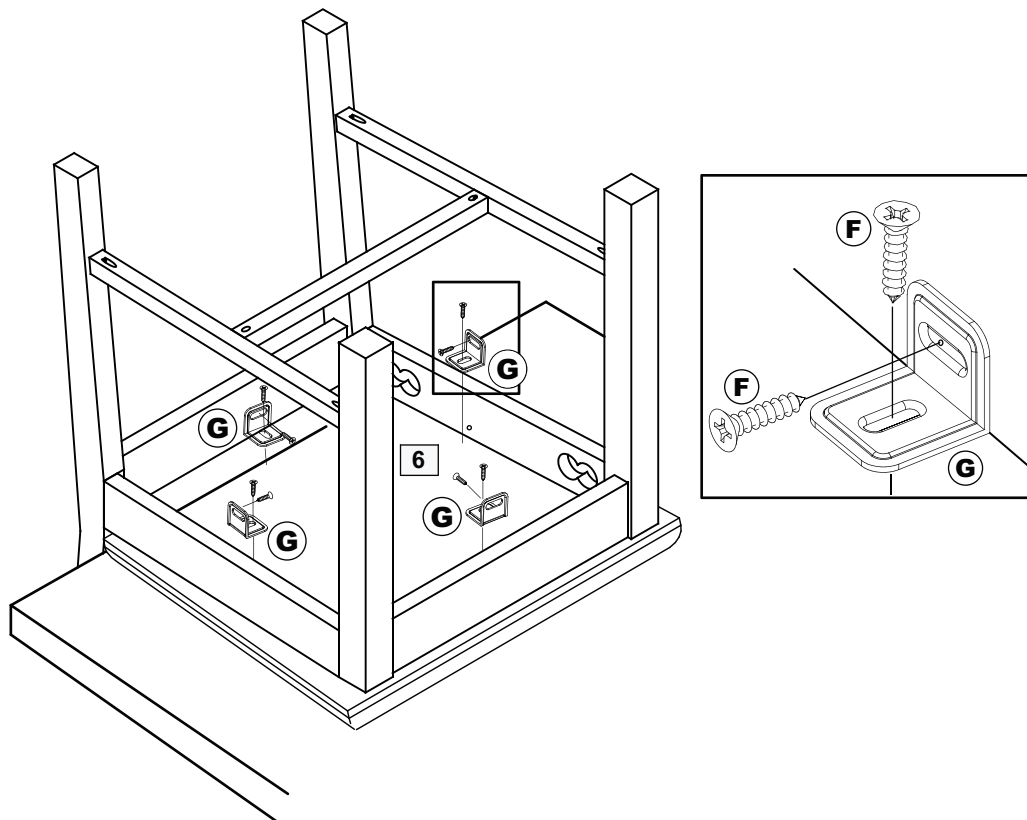
Place chair frame over the seat **6**.

Attach seat **6** to chair frame with brackets **G** using screws **F**.

Tighten all the screws for chair.

Repeat with remaining chair.

Assembly is complete.



If you need help or have damaged or missing parts, call the **Customer Helpline:**
Argos = 0845 6400800