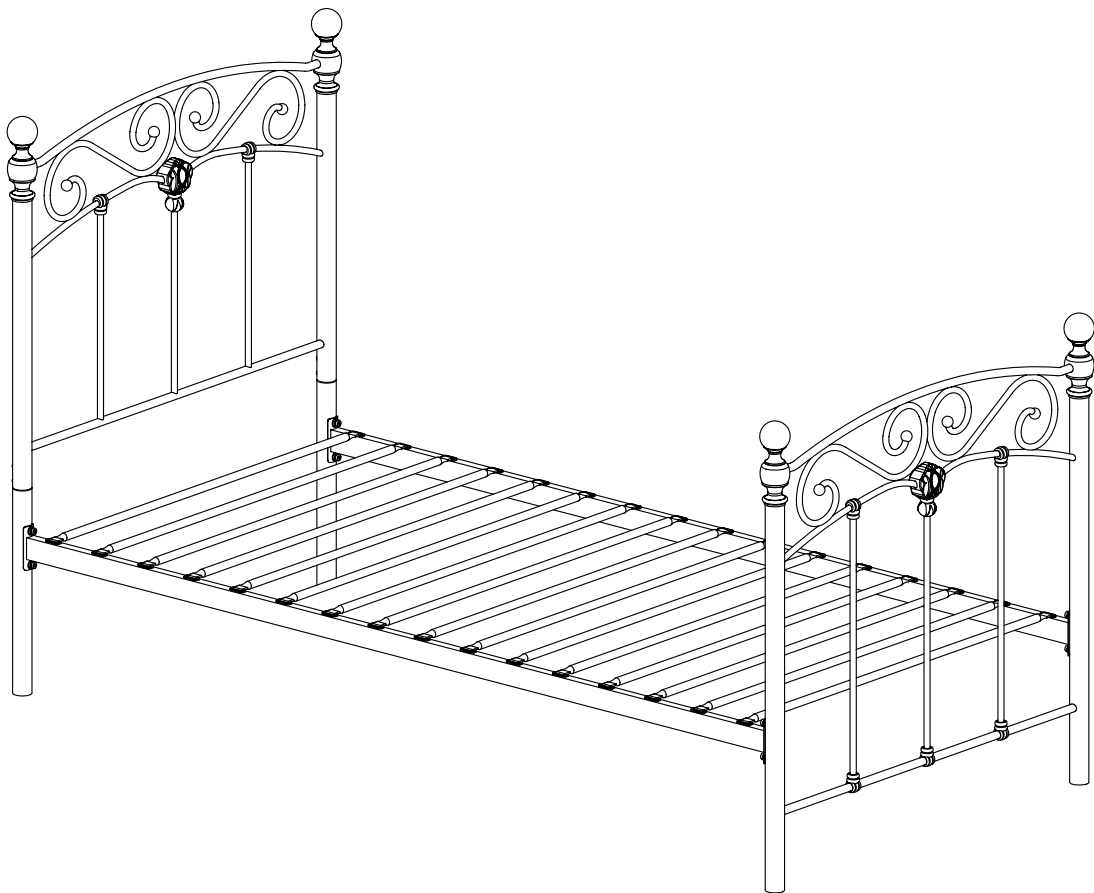


Isla Metal 3ft Bed

Assembly Instructions - Please keep for future reference

380/5037



Dimensions

Width - 98cm

Depth - 201cm

Height - 119cm

Important – Please read these instructions fully before starting assembly

If you need help or have damaged or missing parts, call the **Customer Helpline:**
Argos = 0345 640800



Safety and Care Advice

Important – Please read these instructions fully before starting assembly

- Check you have all the components and tools listed on the following pages.
- Remove all fittings from the plastic bags and separate them into their groups.
- Keep children and animals away from the work area, small parts could choke if swallowed.
- Make sure you have enough space to layout the parts before starting.

- During assembly do not stand or put weight on the product, this could cause damage.
- Assemble the item as close to its final position (in the same room) as possible.
- Assemble on a soft level surface to avoid damaging the unit or your floor.
- Parts of the assembly will be easier with 2 people.



- To reduce the likelihood of damaging your product please ensure that your power drill is set on a low torque setting.

Care and maintenance

- Only clean using a damp cloth and mild detergent, do not use bleach or abrasive cleaners.
- From time to time check that there are no loose screws on this unit.
- This product should not be discarded with household waste. Take to your local authority waste disposal centre.

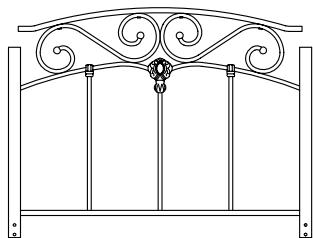
Handy Hints

- Assemble all parts and bolts loosely during assembly, only once the product is complete should you fully tighten the bolts
- Regularly check and ensure that all bolts and fittings are tightened properly.

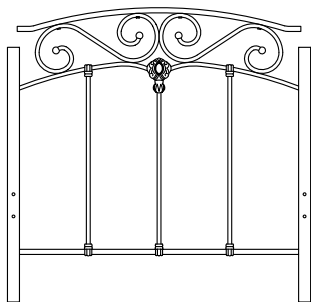
Components - Panels

If you have damaged or missing components, call the
Customer Helpline: Argos = 0345 6400800

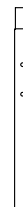
Please check you have all the panels listed below



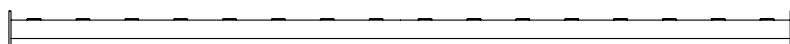
1 Headboard
(95.7 x 72.6cm)



2 Footboard
(95.7 x 93cm)



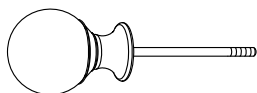
3 Headboard post x 2
(dia3.8 x 47.5cm)



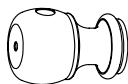
4 Side rail x 2
(192.2 x 9cm)



5 Slat x 16
(92.2 x 3.2cm)



6 Finial x 4
(dia6 x 18cm)


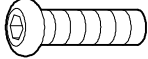


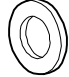




7 Finial base x 4
(dia5.9 x 8.4cm)

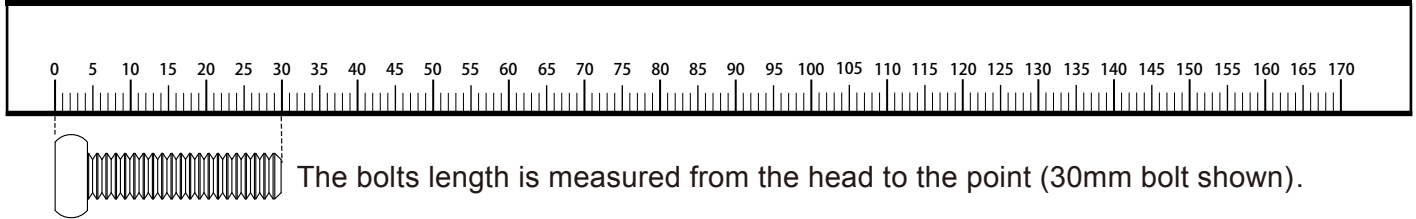
Components - Fittings

Please check you have all the fittings listed below

Note: The quantities below are the correct amount to complete the assembly. In some cases more fittings may be supplied than are required.

<p>A  16mm Bolt x 4</p>	<p>B  30mm Bolt x 8</p>	<p>C  Plain washer x 8</p>
<p>D  Spring washer x 8</p>	<p>E  Plastic washer x 8</p>	<p>F  Small hex key x 1</p>
<p>G  Large hex key x 1</p>		

Ruler - Use this ruler to help correctly identify the screws



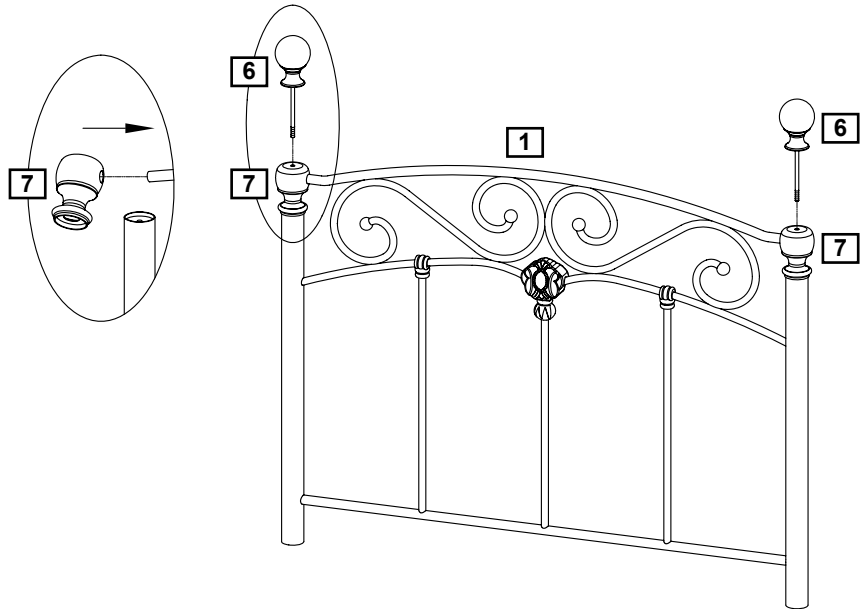
Assembly Instructions

Step 1

Assemble headboard

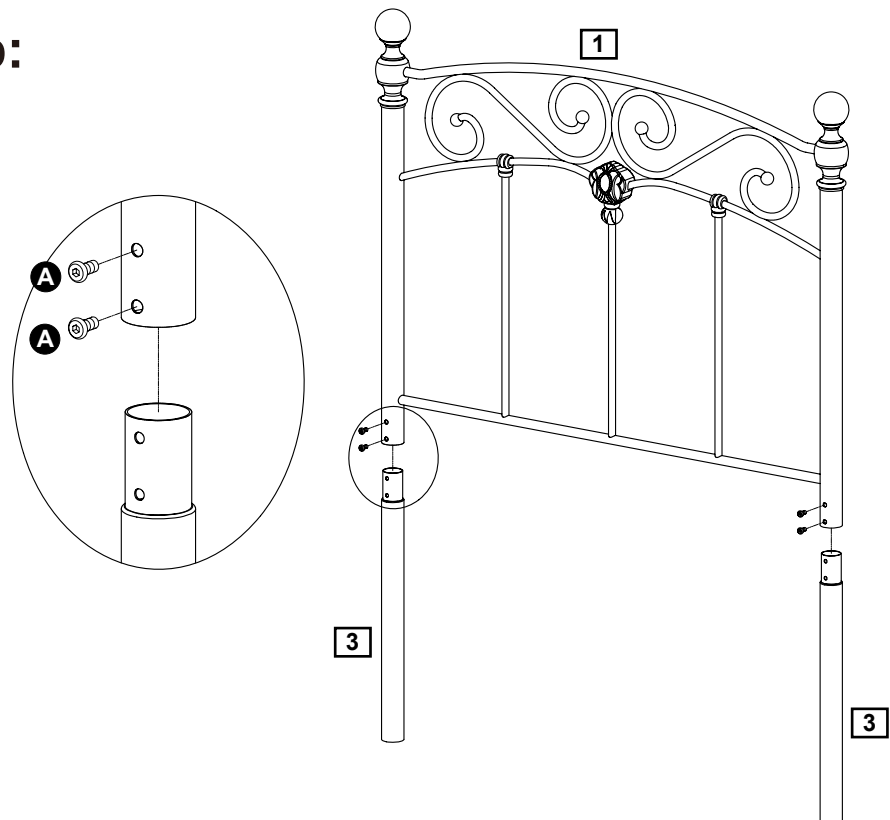
a: Insert finial bases **7** to headboard **1**, then screw finials **6** into the headboard

a:



b: Fix headboard post **3** to headboard **1** using bolts **A**.

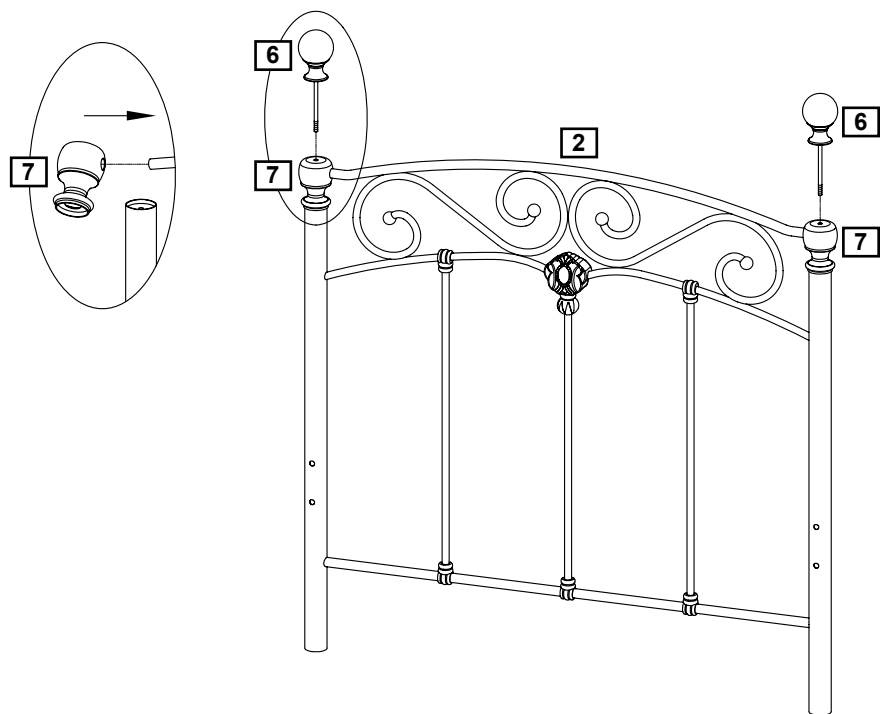
b:



Assembly Instructions

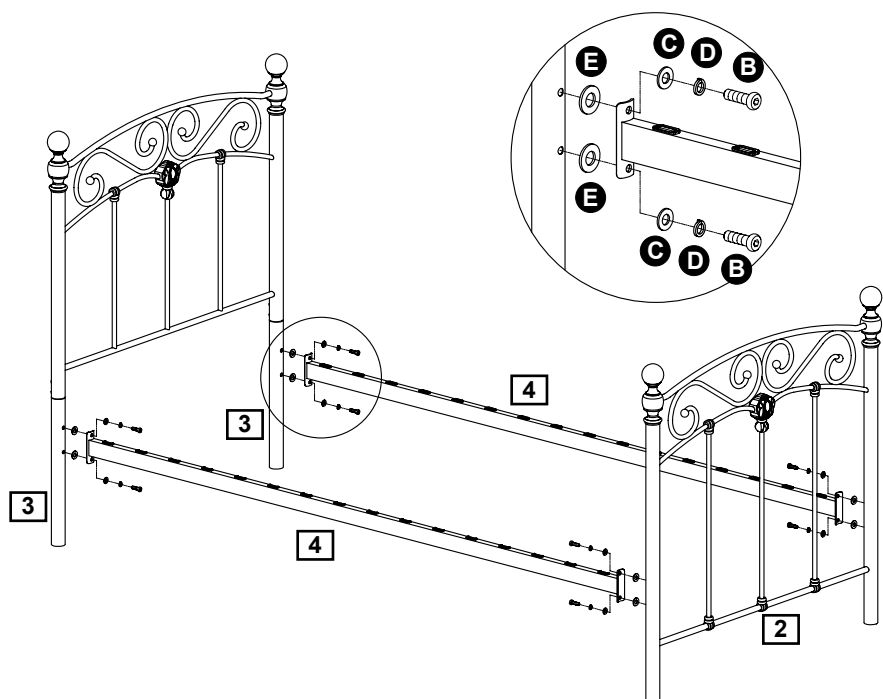
Step 2

Insert finial bases **7** to footboard **2**, then screw finials **6** into footboard.



Step 3

Fix side rails **4** to headboard posts **3** and footboard **2** using bolts **B**, spring washers **D**, plain washers **C** and plastic washers **E**.



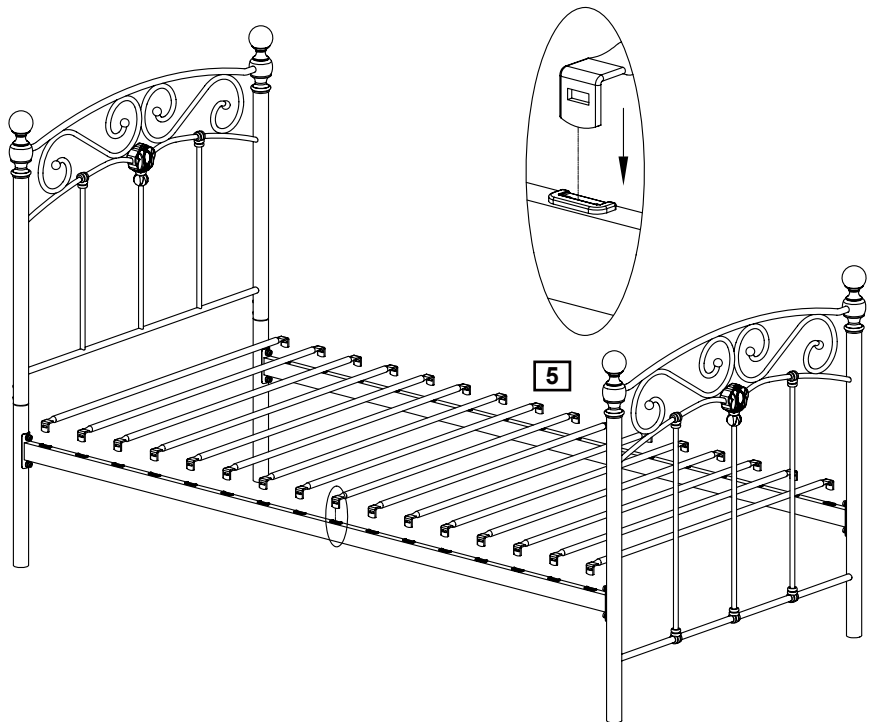
⚠ Important note:
Do not fully tighten bolts at this stage.

Assembly Instructions

Step 4

Insert slats **5** to the side rails.

Assembly is complete.



Important note: After all the parts are positioned, you can now fully tighten all bolts fixed on previous steps.

If you need help or have damaged or missing parts, call the **Customer Helpline:**
Argos = 0345 6400800