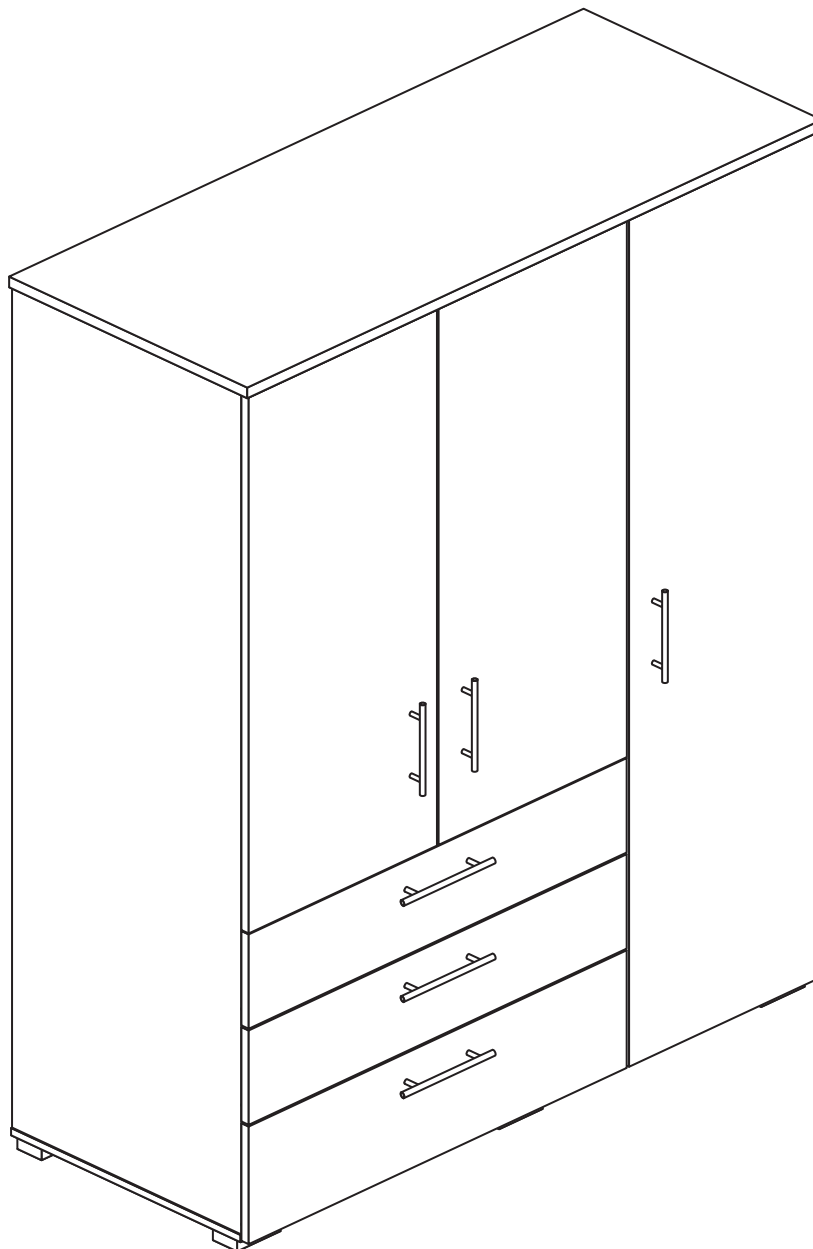


Malvern - 3 Drawer 3 Door Robe

Assembly Instructions - Please keep for future reference

395/5152

380/4629



Dimensions

Width - 119cm

Depth - 49.5cm

Height - 180cm



**MADE IN
BRITAIN**

Important - Please read these instructions fully before starting assembly

If you need help or have damaged or missing parts, call the **Customer Helpline: 03456 400800**



Safety and Care Advice

Important - Please read these instructions fully before starting assembly

- **Warning:** This unit weighs approximately 79kgs. Please lift with care.
- Check you have all the components and tools listed on pages 1, 2 and 3.
- Remove all fittings from the plastic bags and separate them into their groups.
- Keep children and animals away from the work area, small parts could choke if swallowed.
- Parts of the assembly will be easier with 2 people.

- Make sure you have enough space to layout the parts before starting.
- Do not stand or put weight on the product, this could cause damage.
- Assemble the item as close to its final position (in the same room) as possible.
- Assemble on a soft level surface to avoid damaging the unit or your floor (use opened out unit carton).



- We do not recommend the use of power drill/drivers **for inserting screws**, as this could damage the unit. Only use hand screwdrivers.

- **Safety note:** It is recommended that this unit is secured to a wall using the overbalance protector kit supplied or, an alternative fixing method of your choice.
- Dispose of all packaging carefully and responsibly.

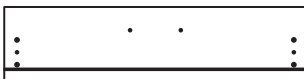
Care and maintenance

- Only clean using a damp cloth and mild detergent, do not use bleach or abrasive cleaners.
- From time to time check that there are no loose screws on this unit.
- This product should not be discarded with household waste. Take to your local authority waste disposal centre.

Components - Panels

If you have damaged or missing components, call the **Customer Helpline: 03456 400800** quoting the reference numbers below

Please check you have all the panels listed below



1 Top Drawer Front (DF4049)
(778 x 195mm) x 2



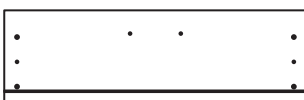
2 Top Left Drawer Side (W370-124LH)
(370 x 124mm) x 2



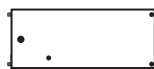
3 Top Right Drawer Side (W370-124RH)
(370 x 124mm) x 2



4 Top Drawer Back (W702-124)
(702 x 124mm) x 2



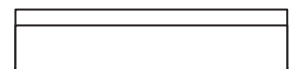
5 Bottom Drawer Front (DF105)
(778 x 243mm)



6 Bottom Left Drawer Side (W370-165LH)
(370 x 165mm)



7 Bottom Right Drawer Side (W370-165RH)
(370 x 165mm)



8 Bottom Drawer Back (W702-165)
(702 x 165mm)

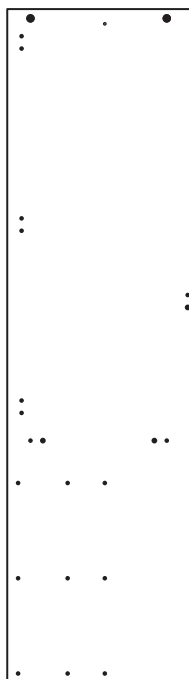


9 Drawer Base (T713-367)
(713 x 367mm) x 3

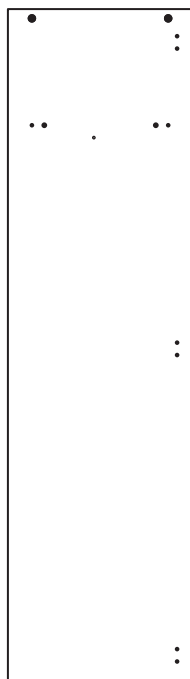
Components - Panels

If you have damaged or missing components, call the **Customer Helpline: 03456 400800** quoting the reference numbers below

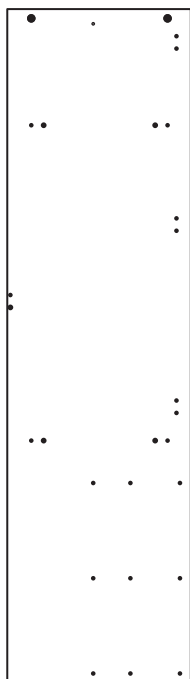
Please check you have all the panels listed below



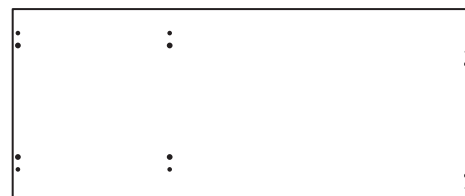
10 Left Side (DF3950)
(1739 x 474mm)



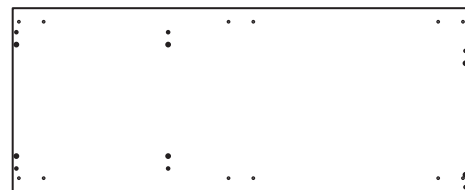
11 Right Side (DF3951)
(1739 x 474mm)



12 Divider (DF4052)
(1739 x 474mm)



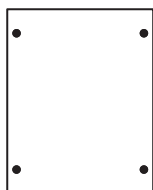
13 Top (DF4047)
(1187 x 492mm)



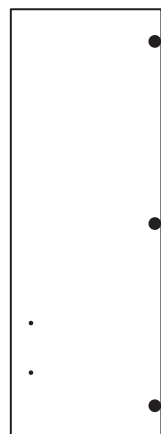
14 Base (DF4048)
(1179 x 474mm)



16 Large Shelf (DF107)
(753 x 473mm)



17 Small Shelf (DF4053)
(377 x 473mm)



21 Left Door (DF4050)
(1107 x 387mm)



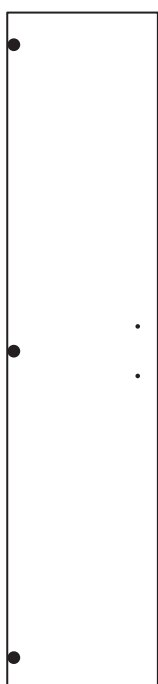
15 Cross Rail (DF106)
(753 x 78mm)



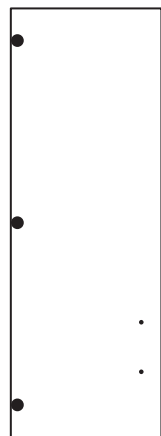
18 Large Hanging Rail (FHR745)
(745mm long)



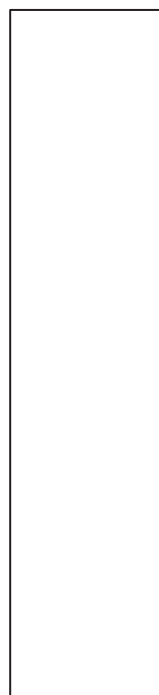
19 Small Hanging Rail (FHR369)
(369mm long)



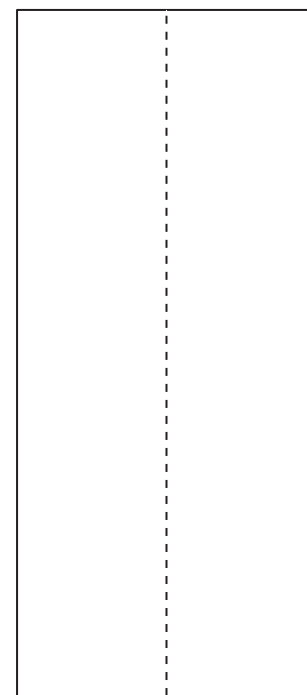
20 Right Door (DF4051)
(1749 x 387mm)



22 Middle Door (DF3952)
(1107 x 387mm)



23 Small Back (X1772-396)
(1772 x 396mm)



24 Large Back (X1772-772)
(1772 x 772mm)

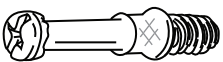








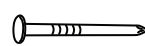

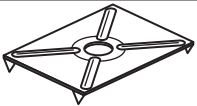


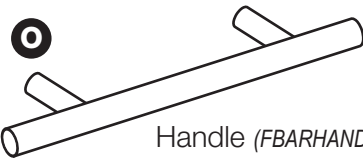

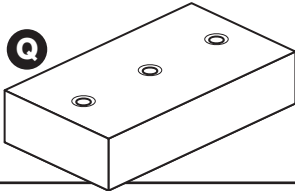
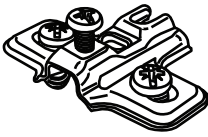
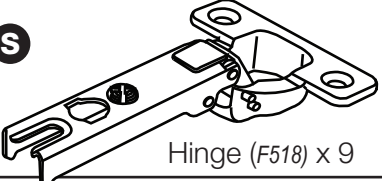
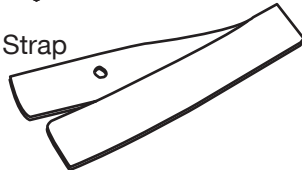




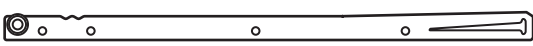
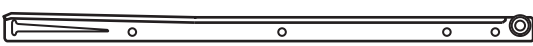


Components - Fittings

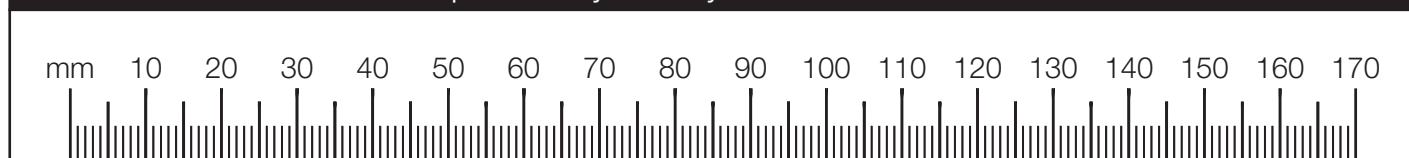
If you have damaged or missing components, call the **Customer Helpline: 03456 400800** quoting the reference numbers below

Please check you have all the fittings listed below

Note: The quantities below are the correct amount to complete the assembly. In some cases more fittings may be supplied than are required.

| | | | |
|---|---|---|---|
| <p>A  Metal dowel (F901) x 22</p> | <p>B  Small locking nut (F3) x 6</p> | <p>C  Large locking nut (F900) x 16</p> | |
| <p>D  Wooden dowel (F22) x 22</p> | <p>E  40mm Screw (F910) x 6</p> | <p>F  38mm Screw (F81) x 12</p> | |
| <p>G  19mm Screw (F461) x 12</p> | <p>H  13mm Screw (F63) x 44</p> | <p>I  9mm Screw (F73) x 18</p> | <p>J  Nail (F51) x 40</p> |
| <p>K  Nail screw (F277) x 8</p> | <p>L  Back holder (F276) x 8 *These can also be round</p> | <p>M  Wedgex (F639) x 12</p> | <p>N  Knock-in Peg (F171GY) x 12</p> |
| <p>O  Handle (FBARHANDLE) x 6</p> | <p>P  Rail Holder (F891) x 4</p> | <p>Q  Foot (F233) x 6</p> | |
| <p>R  Hinge plate (F523) x 9</p> | <p>S  Hinge (F518) x 9</p> | <p>T  Strap</p> | |
| <p>Ua  L Runner (F159) x 3 ← 350mm long →</p> | <p> Screw  Washer x 2</p> | | |
| <p>Ub  R Runner (F160) x 3</p> | <p>Overbalance protector kit (F269) x 1</p> | | |
| <p>Uc  L Runner (F161) x 3</p> | | | |
| <p>Ud  R Runner (F162) x 3</p> | | | |

Ruler - Use this ruler to help correctly identify the screws



Assembly Instructions

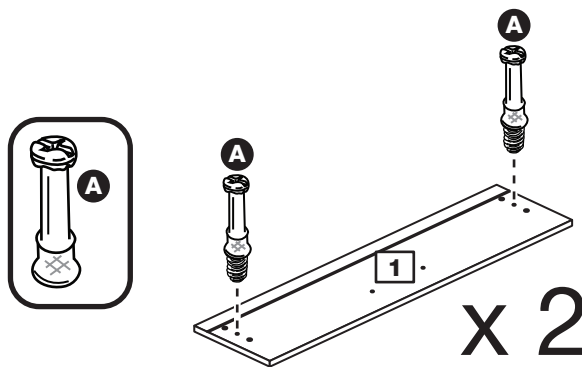
If you have damaged or missing components, call the
Customer Helpline: 03456 400800 quoting the reference
numbers below

Step 1

Prepare the 2 top drawer fronts

Screw 2 metal dowels **A** into each of the top drawer fronts **1**.

Note: Tighten the metal dowels up fully against the panels.

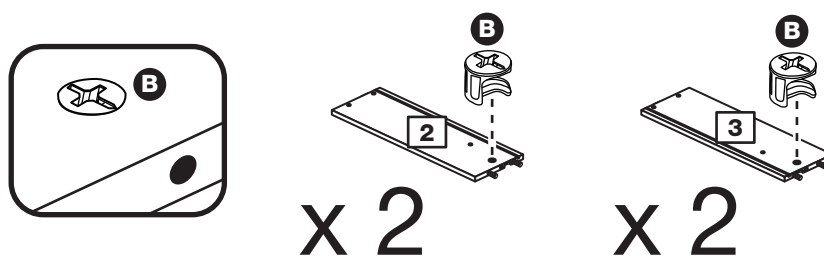


Step 2

Prepare the top drawer sides

Insert a small locking nut **B** into the hole shown on the top left drawer side **2** and the top right drawer side **3**.

Note: The arrow on the locking nut **must** point towards the hole in the edge of the panel.



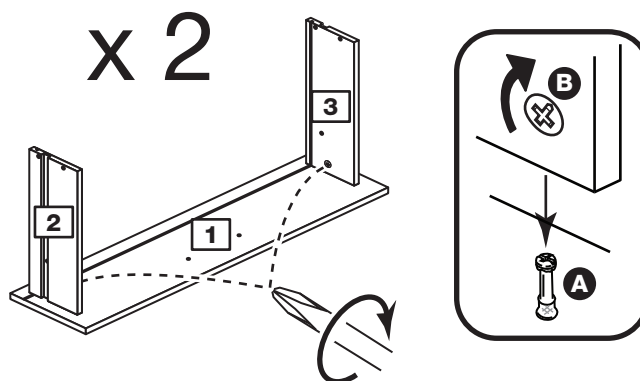
Step 3

Attach the top drawer sides to the top drawer fronts

Push the top left drawer sides **2** and top right drawer sides **3** onto the back of the top drawer fronts **1**.

Turn the small locking nuts **B** on the top left drawer side **2** and top right drawer side **3**.

Note: Turn the locking nuts **B** clockwise to secure panels - more than 1/2 a turn.

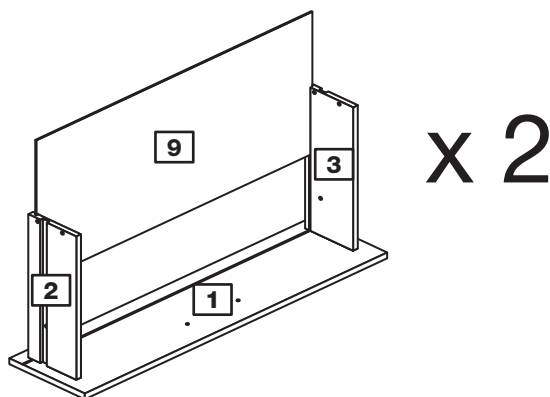


Assembly Instructions

Step 4

Fit the drawer base

Slide the drawer base **9** down the grooves in the top drawer sides **2** and **3** and down into the groove in the top drawer front **1**.

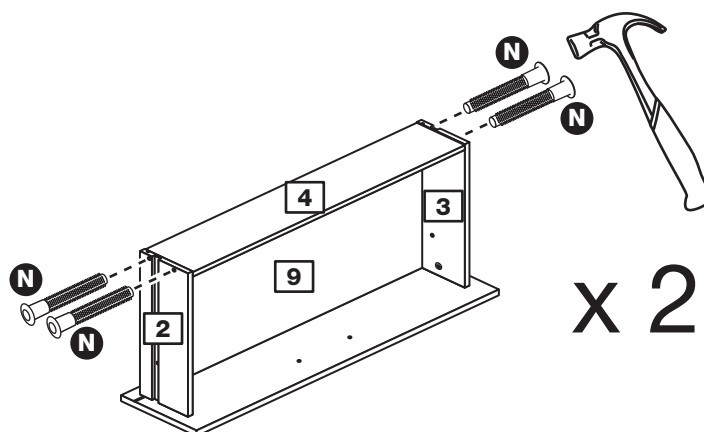


Step 5

Fit the top drawer back

Fit the top drawer back **4** between the top drawer sides **2** and **3**. Make sure that the drawer base **9** fits into the groove in the top drawer back **4**.

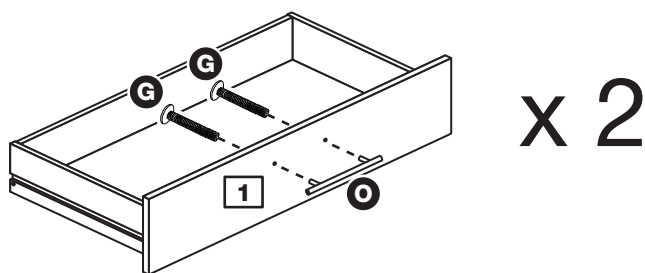
Hold the top drawer back **4** in position and tap the knock-in pegs **N** through the holes in the top drawer sides **2** and **3**.



Step 6

Attach the handles

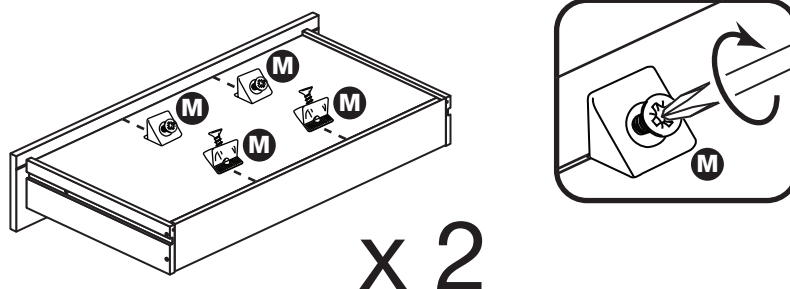
Attach a handle **O** to each of the top drawer fronts **1** using screws **G**.



Step 7

Fit the wedgifixes

Turn the 2 top drawer assemblies over and slide 4 wedgifixes **M** into the front and back grooves, as shown, and tighten up the screws.

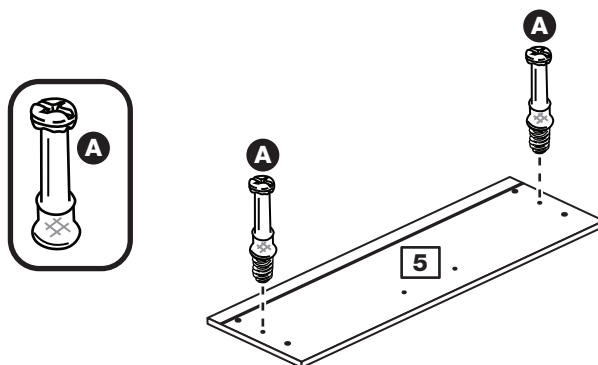


Assembly Instructions

Step 8

Prepare the bottom drawer front

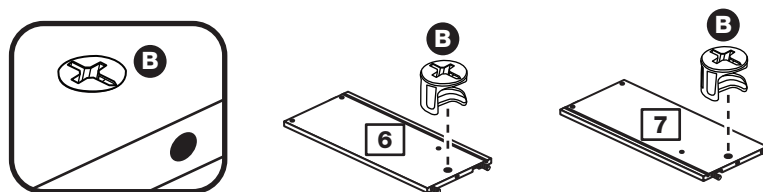
Screw 2 metal dowels **A** into the bottom drawer front **5**.



Step 9

Prepare the bottom drawer sides

Insert a small locking nut **B** into the hole shown on the bottom left drawer side **6** and the bottom right drawer side **7**.

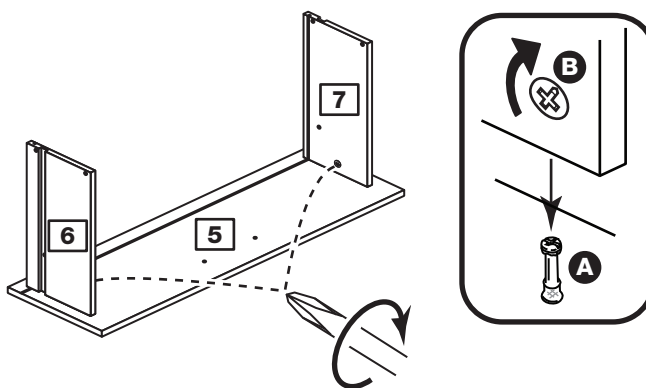


Step 10

Attach the bottom drawer sides to the bottom drawer front

Push the bottom left drawer side **6** and bottom right drawer side **7** onto the back of the bottom drawer front **5**.

Turn the small locking nuts **B** on the bottom left drawer side **6** and bottom right drawer side **7**.

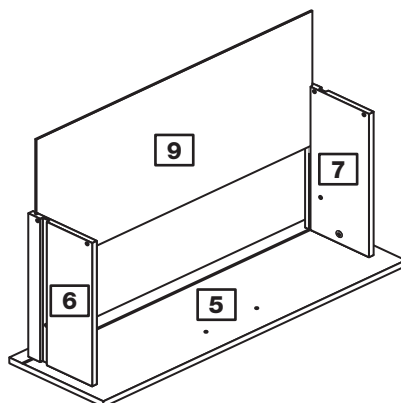


Assembly Instructions

Step 11

Fit the drawer base

Slide the drawer base **9** down the grooves in the bottom drawer sides **6** and **7** and down into the groove in the bottom drawer front **5**.



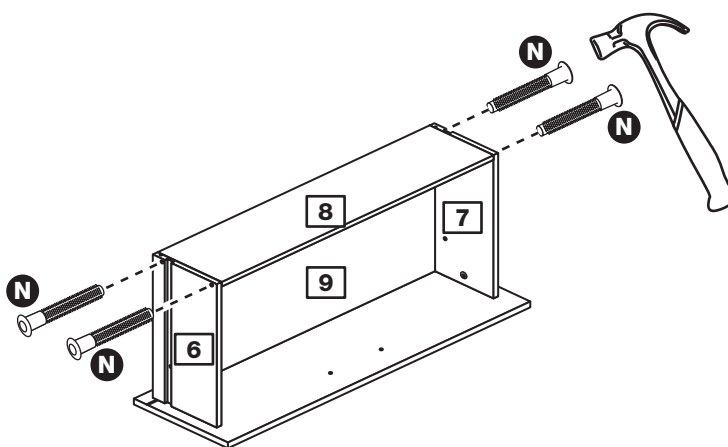
Step 12

Fit the bottom drawer back

Fit the bottom drawer back **8** between the bottom drawer sides **6** and **7**.

Make sure that the drawer base **9** fits into the groove in the bottom drawer back **8**.

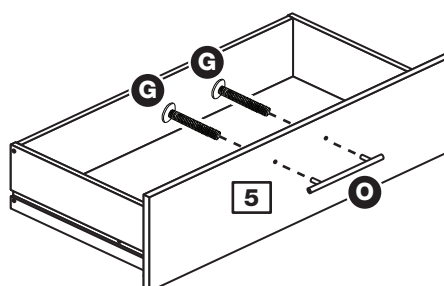
Hold the bottom drawer back **8** in position and tap the knock-in pegs **N** through the holes in the bottom drawer sides **6** and **7**.



Step 13

Attach the handle

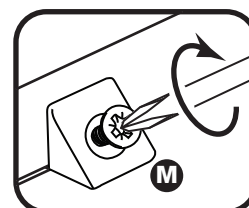
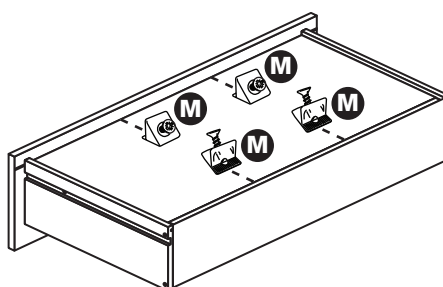
Attach the handle **O** to the bottom drawer front **5** using screws **G**.



Step 14

Fit the wedgifixes

Turn the drawer assembly over and slide 4 wedgifixes **M** into the front and back grooves, as shown, and tighten up the screws.



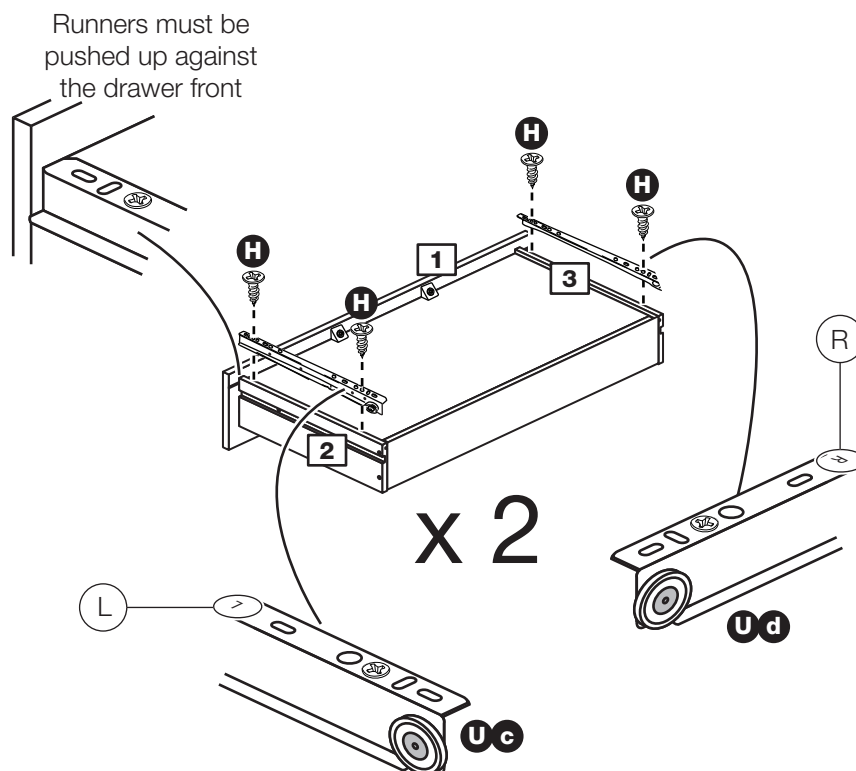
Assembly Instructions

Step 15

Fit runners to the 2 top drawers

Fit runner **Ud**, marked with 'R', to the bottom edge of the top right drawer side **3**, as shown, making sure that it is pushed up against the back of the top drawer front **1**. Use a bradawl to mark the fixing positions, then secure with 2 screws **H**.

Fit runner **Uc**, marked 'L', to the bottom edge of the top left drawer side **2** using the same method.

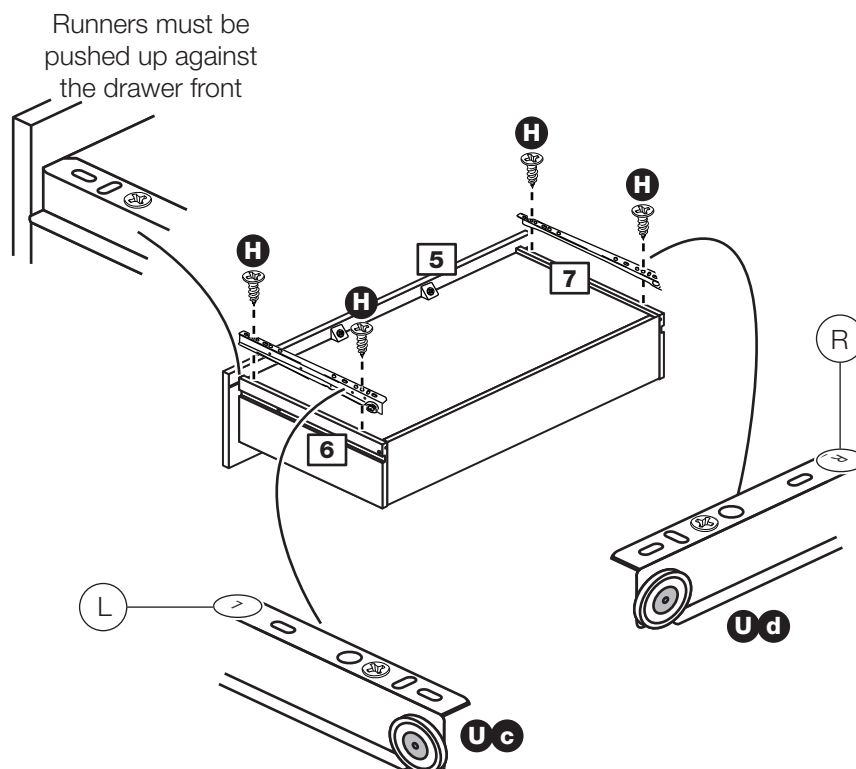


Step 16

Fit runners to the bottom drawer

Fit a runner **Ud**, marked with 'R', to the bottom edge of the bottom right drawer side **7**, as shown, making sure that it is pushed up against the back of the bottom drawer front **5**. Use a bradawl to mark the fixing positions, then secure with 2 screws **H**.

Fit runner **Uc**, marked 'L', to the bottom edge of the bottom left drawer side **6** using the same method.



Assembly Instructions

Step 17

Prepare the divider

a: Fit 3 runners **U b** to the divider **12**.

The 1st screw **I** uses the 1st hole in from the front of the runner.

The 2nd and 3rd screws **I** use the holes that line up with the other panel holes.

Fit 3 hinge plates **R** onto the divider **12**, making sure that the slot is facing towards the finished front edge.

To fit the rail holder **P**, screw through the top hole with screw **H** and into the mark hole drilled in the divider **12**. Make sure that it is fitted straight, in line with the panel edges and then fit another screw **H** using the lower hole.

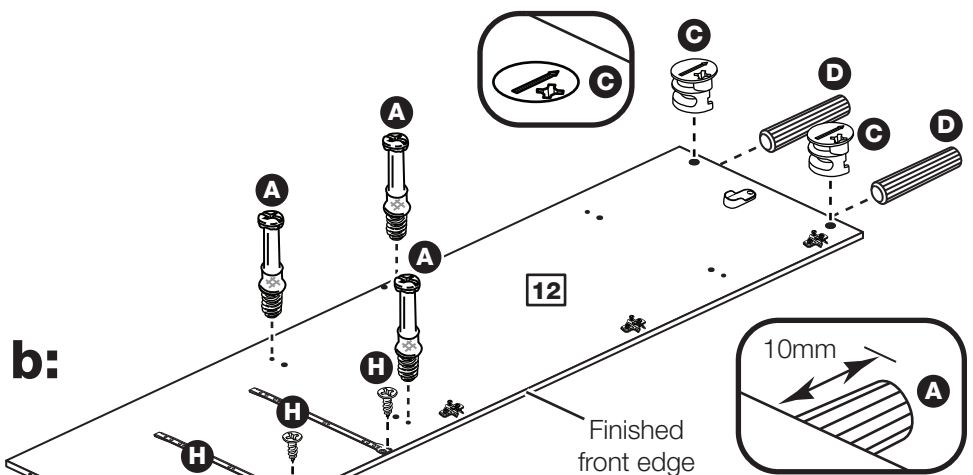
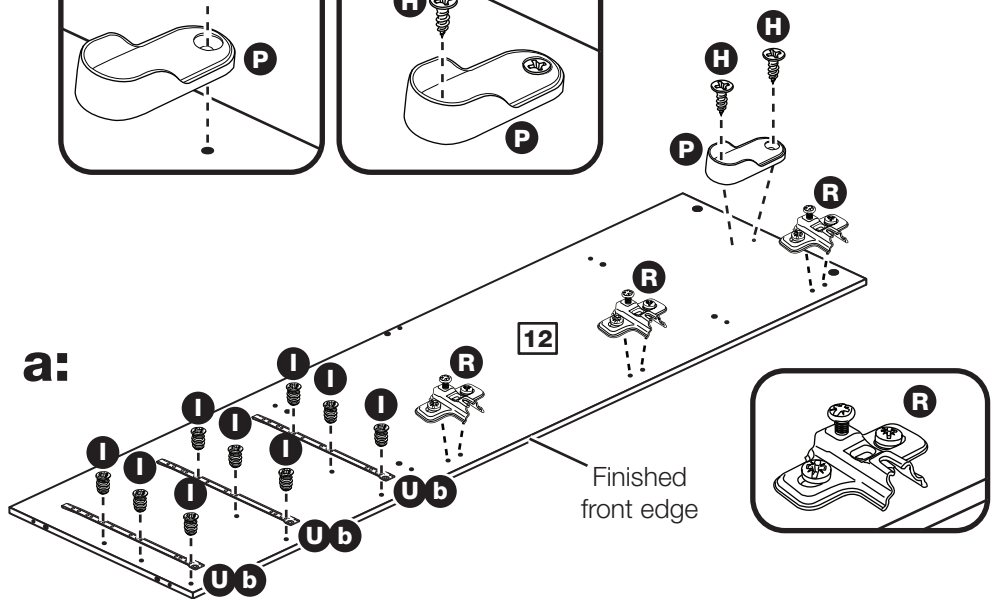
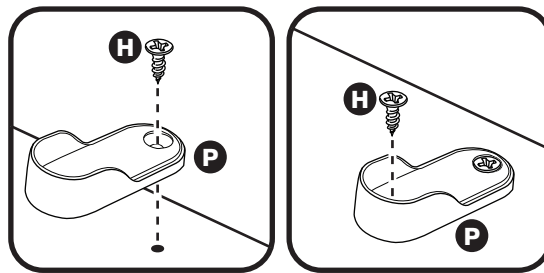
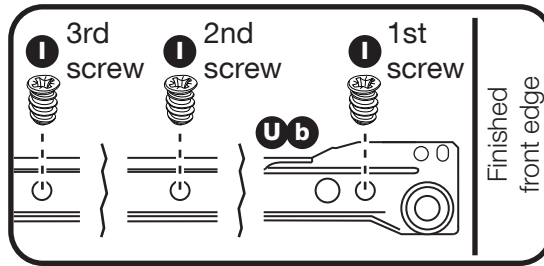
b: Fit a screw **H** into the 2nd hole in at the top of the runners **U b**.

Insert 2 large locking nuts **C** into the divider **12**.

Note: The arrow on the locking nut **must** point towards the hole in the edge of the panel.

Tap 4 wooden dowels **D** into the divider **12**.

Screw 3 metal dowels **A** into the divider **12**.



Note: Wooden dowels **must not** stick out from the edge by more than 10mm or they may damage other panels.

Assembly Instructions

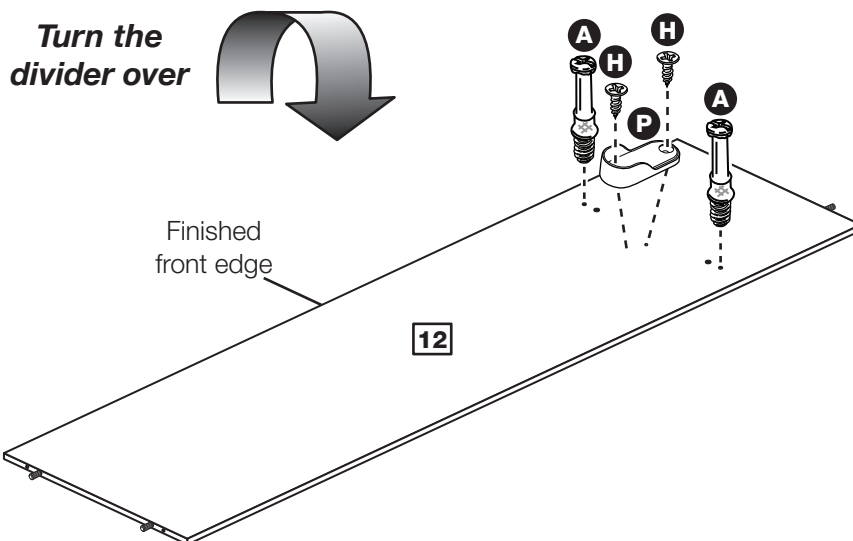
Step 18

Finish preparing the divider

Turn the divider over

To fit the rail holder **P**, screw through the top hole with screw **H** and into the mark hole drilled in the divider **12**. Make sure that it is fitted straight, in line with the panel edges and then fit another screw **H** using the lower hole.

Screw 2 metal dowels **A** into the divider **12**.

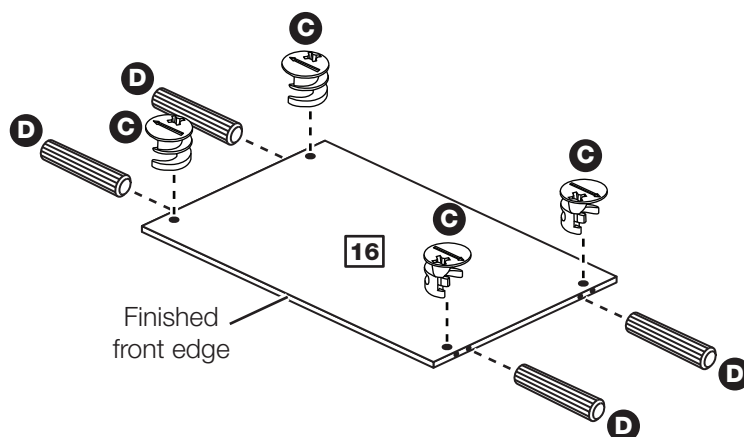


Step 19

Prepare the large shelf

Tap 4 wooden dowels **D** into the large shelf **16**.

Insert 4 large locking nuts **C** into the large shelf **16**.



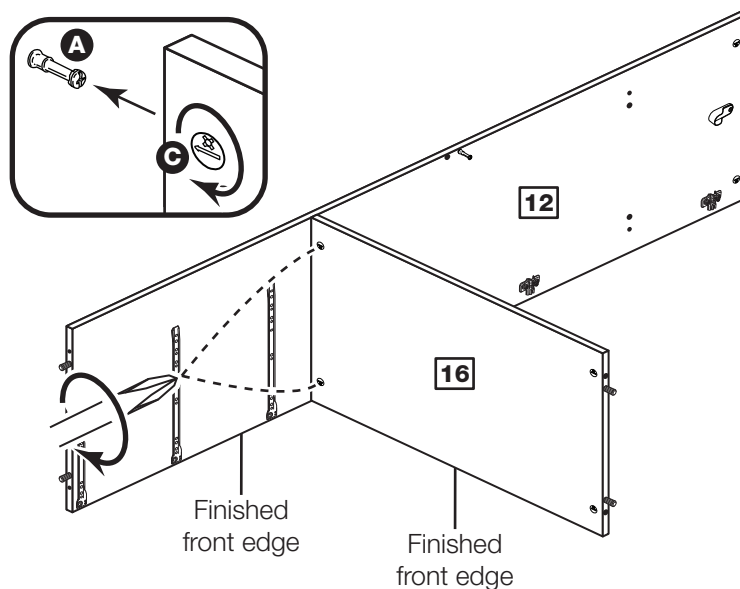
Step 20

Fit the large shelf to the divider

Push the large shelf **16** onto the divider **12**.

Use a screwdriver to tighten the 2 large locking nuts **C** fitted to the large shelf **16**.

Note: Turn the large locking nuts **C** as far as they will go - more than 1/2 a turn.



Assembly Instructions

Step 21

Prepare the left side

a: Fit 3 runners **U a** to the left side **10**.

The 1st screw **I** uses the 1st hole in from the front of the runner.

The 2nd and 3rd screws **I** use the holes that line up with the other panel holes.

Fit 3 hinge plates **R** onto the left side **10**, making sure that the slot is facing towards the finished front edge.

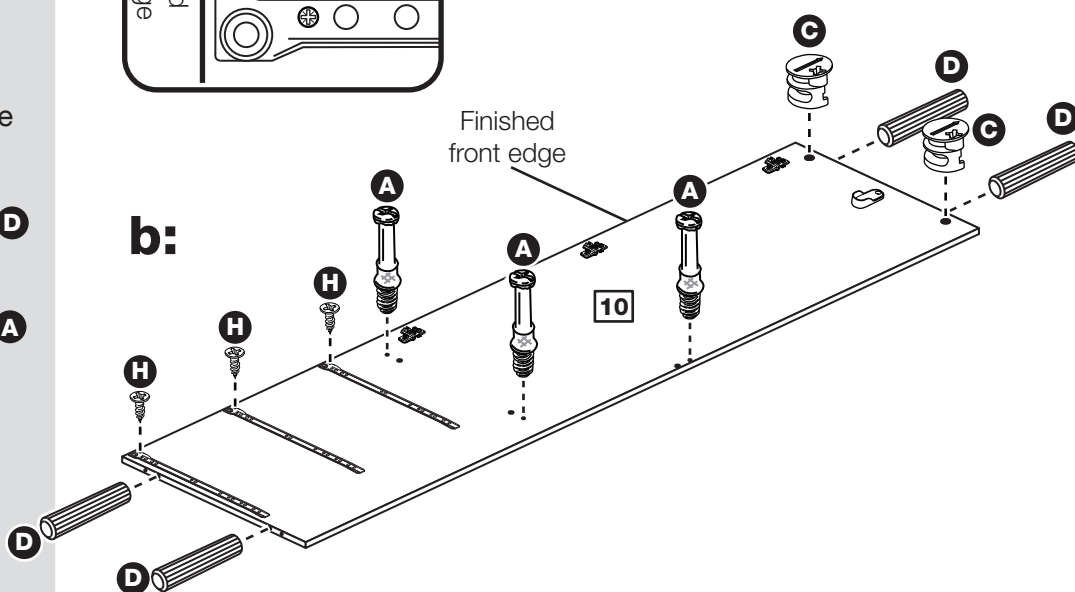
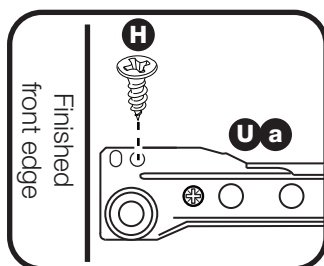
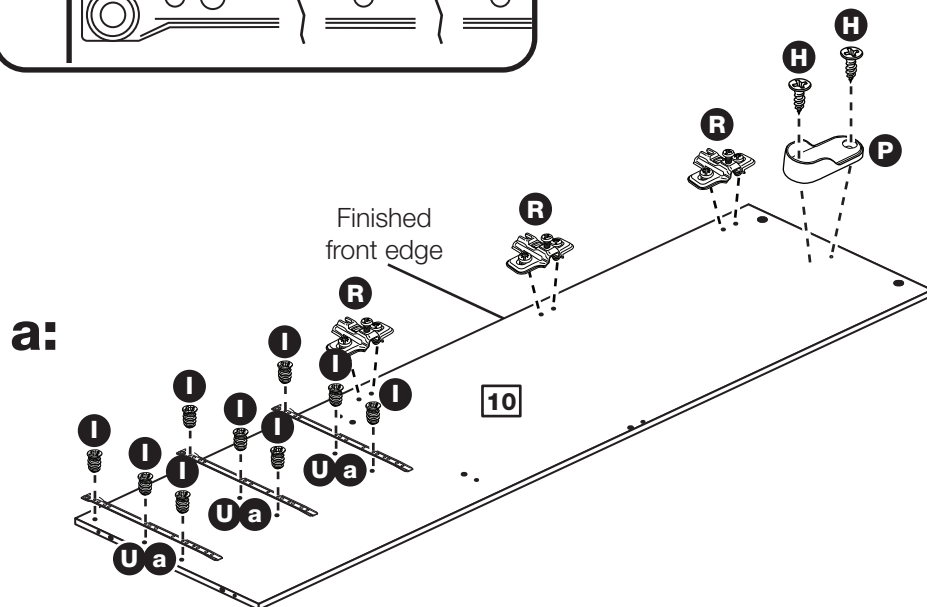
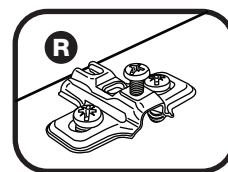
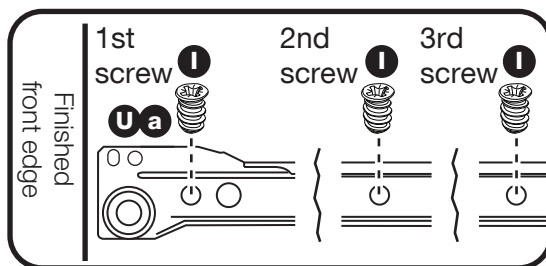
To fit the rail holder **P**, screw through the top hole with screw **H** and into the mark hole drilled in the left side **10**. Make sure that it is fitted straight, in line with the panel edges and then fit another screw **H** using the lower hole.

b: Fit a screw **H** into the 2nd hole in at the top of the runners **U a**.

Insert 2 large locking nuts **C** into the left side **10**.

Tap 4 wooden dowels **D** into the left side **10**.

Screw 3 metal dowels **A** into the left side **10**.



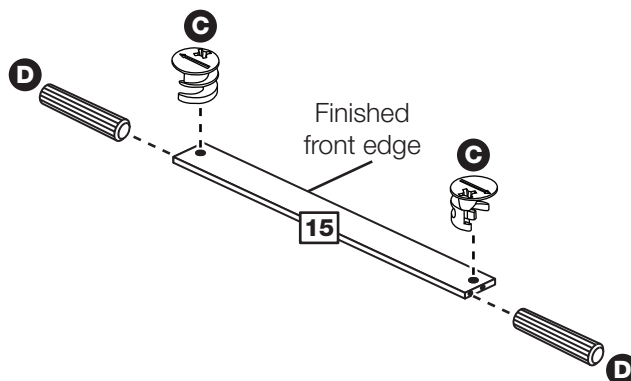
Assembly Instructions

Step 22

Prepare the cross rail

Tap 2 wooden dowels **D** into the cross rail **15**.

Insert 2 large locking nuts **C** into the cross rail **15**.

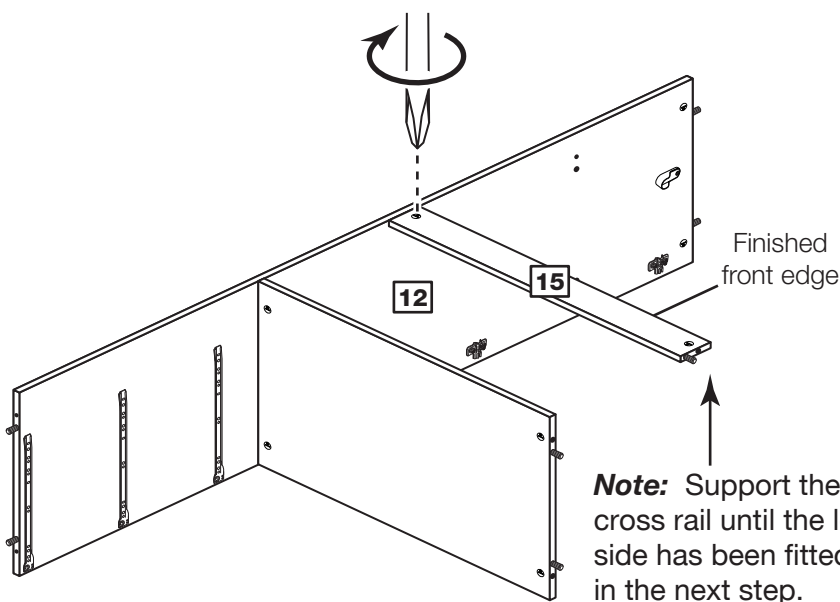


Step 23

Fit the cross rail

Push the cross rail **15** onto the divider **12**.

Use a screwdriver to tighten the large locking nut **C** fitted to the cross rail **15**.

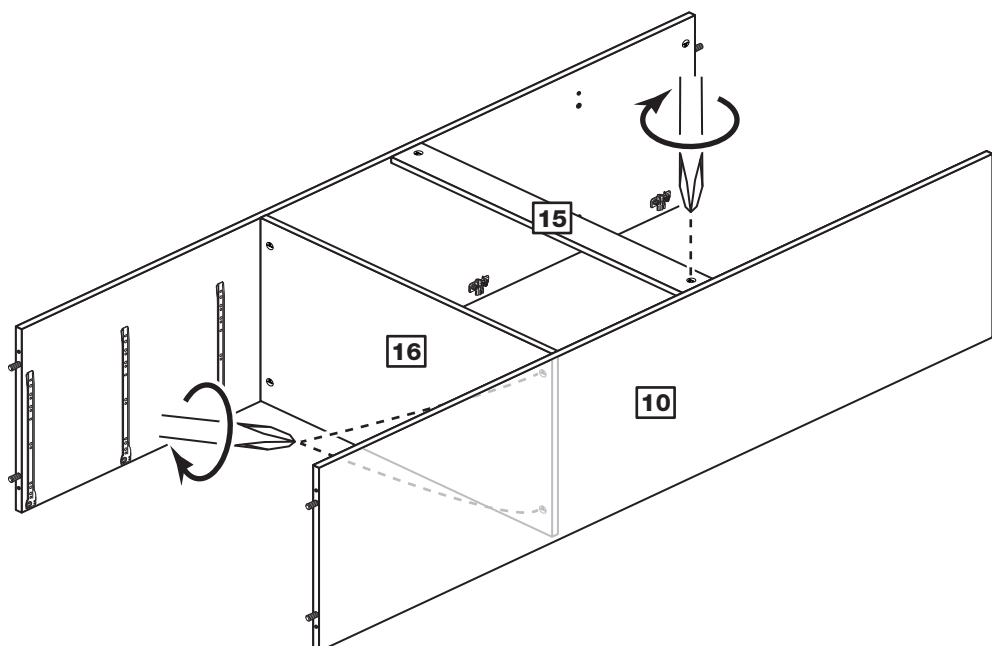


Step 24

Fit the left side

Push the left side **10** onto the assembly.

Use a screwdriver to tighten the 3 large locking nuts **C** fitted to the large shelf **16** and the cross rail **15**.



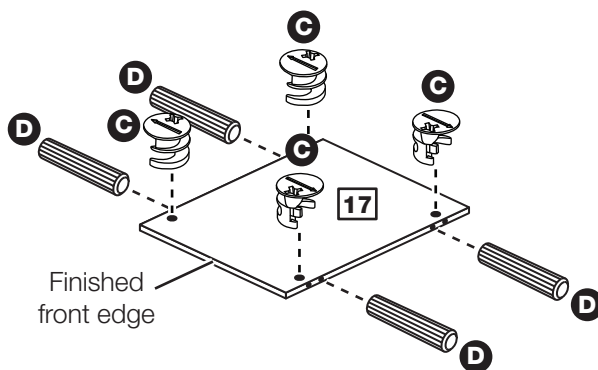
Assembly Instructions

Step 25

Prepare the small shelf

Tap 4 wooden dowels **D** into the small shelf **17**.

Insert 4 large locking nuts **C** into the small shelf **17**.

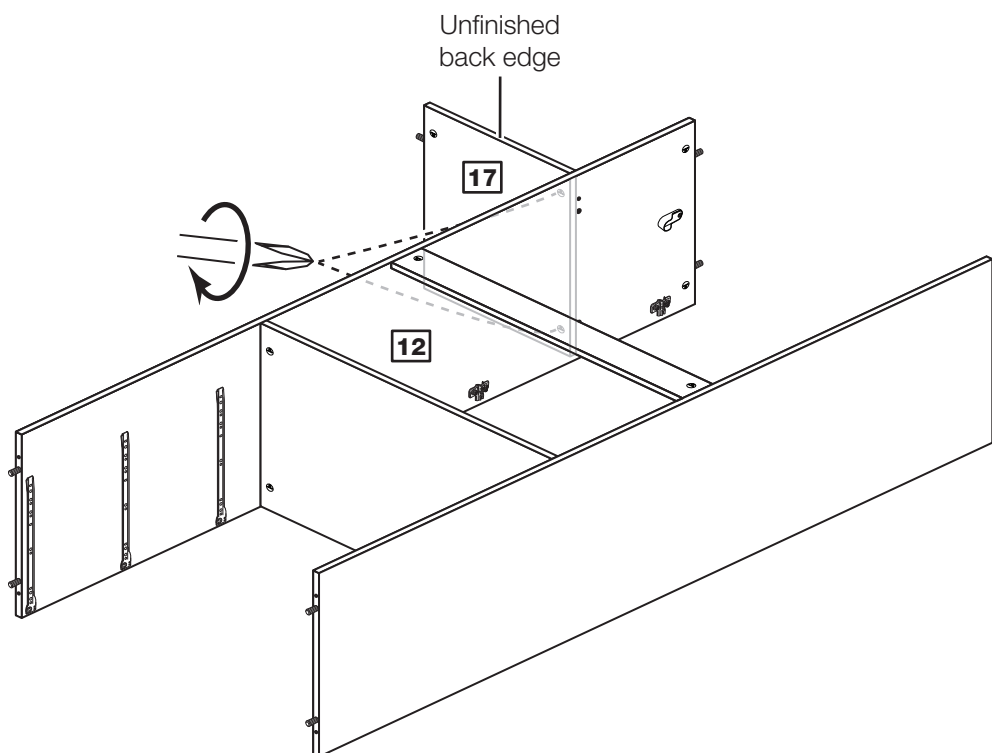


Step 26

Fit the small shelf to the divider

Push the small shelf **17** onto the divider **12**.

Use a screwdriver to tighten the 2 large locking nuts **C** fitted to the small shelf **17**.



Assembly Instructions

Step 27

Prepare the right side

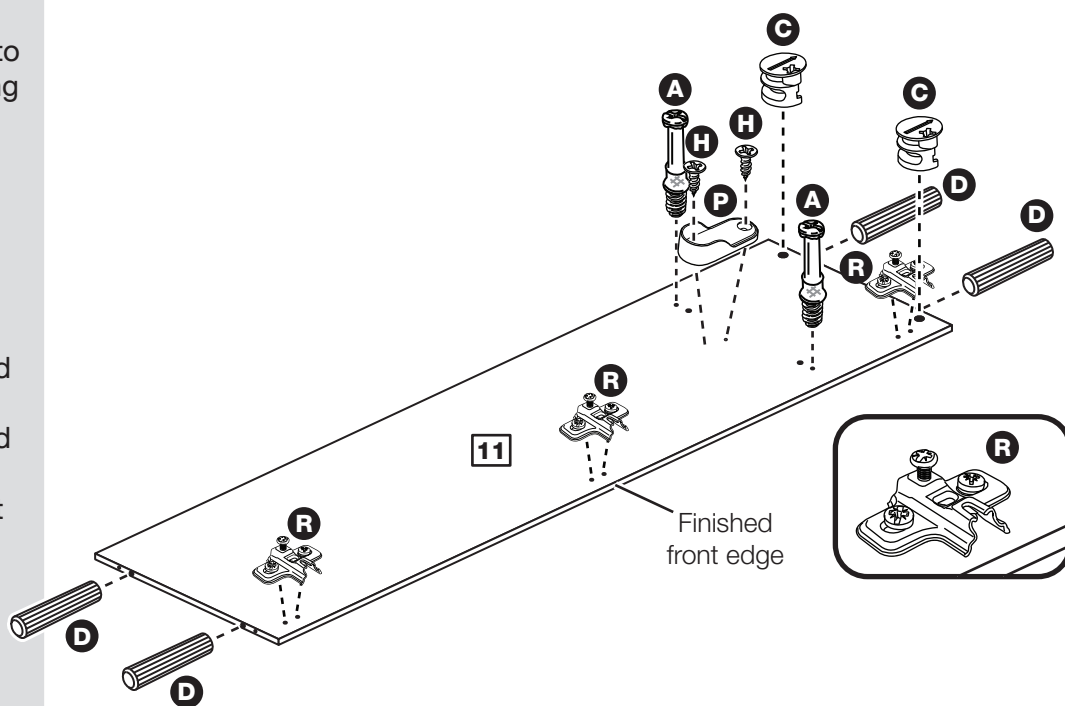
Fit 3 hinge plates **R** onto the right side **11**, making sure that the slot is facing towards the finished front edge.

To fit the rail holder **P**, screw through the top hole with screw **H** and into the mark hole drilled in the right side **11**. Make sure that it is fitted straight, in line with the panel edges and then fit another screw **H** using the lower hole.

Insert 2 large locking nuts **C** into the right side **11**.

Tap 4 wooden dowels **D** into the right side **11**.

Screw 2 metal dowels **A** into the right side **11**.

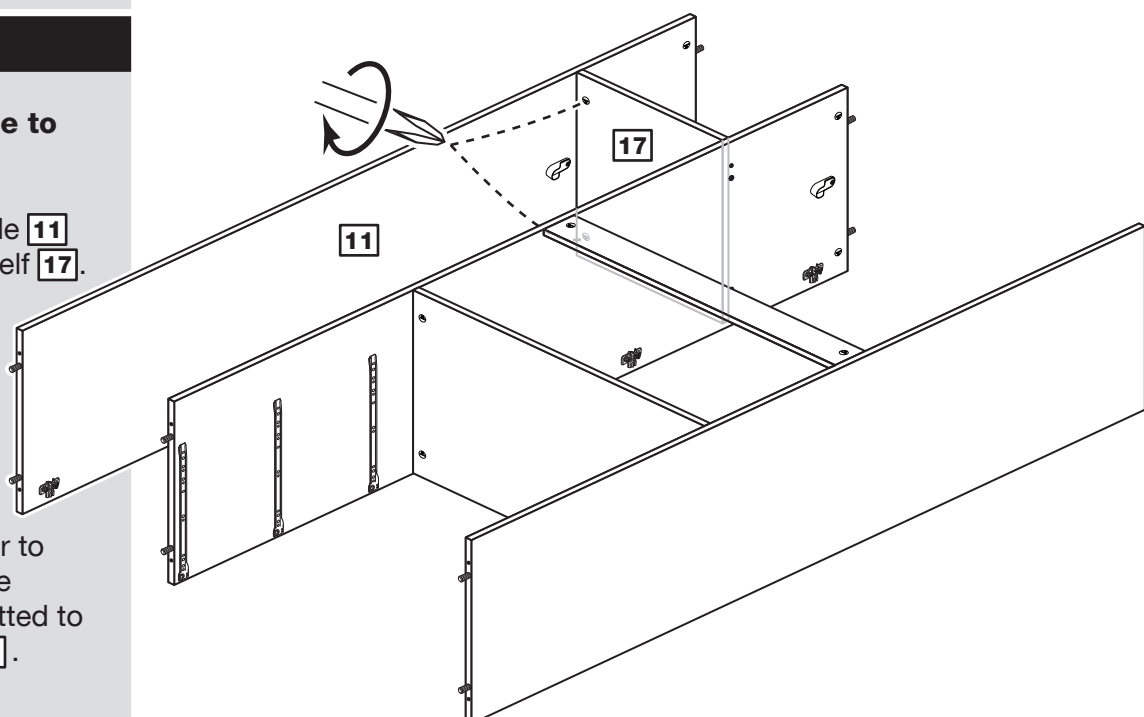


Step 28

Fit the right side to the small shelf

Push the right side **11** onto the small shelf **17**.

Use a screwdriver to tighten the 2 large locking nuts **C** fitted to the small shelf **17**.

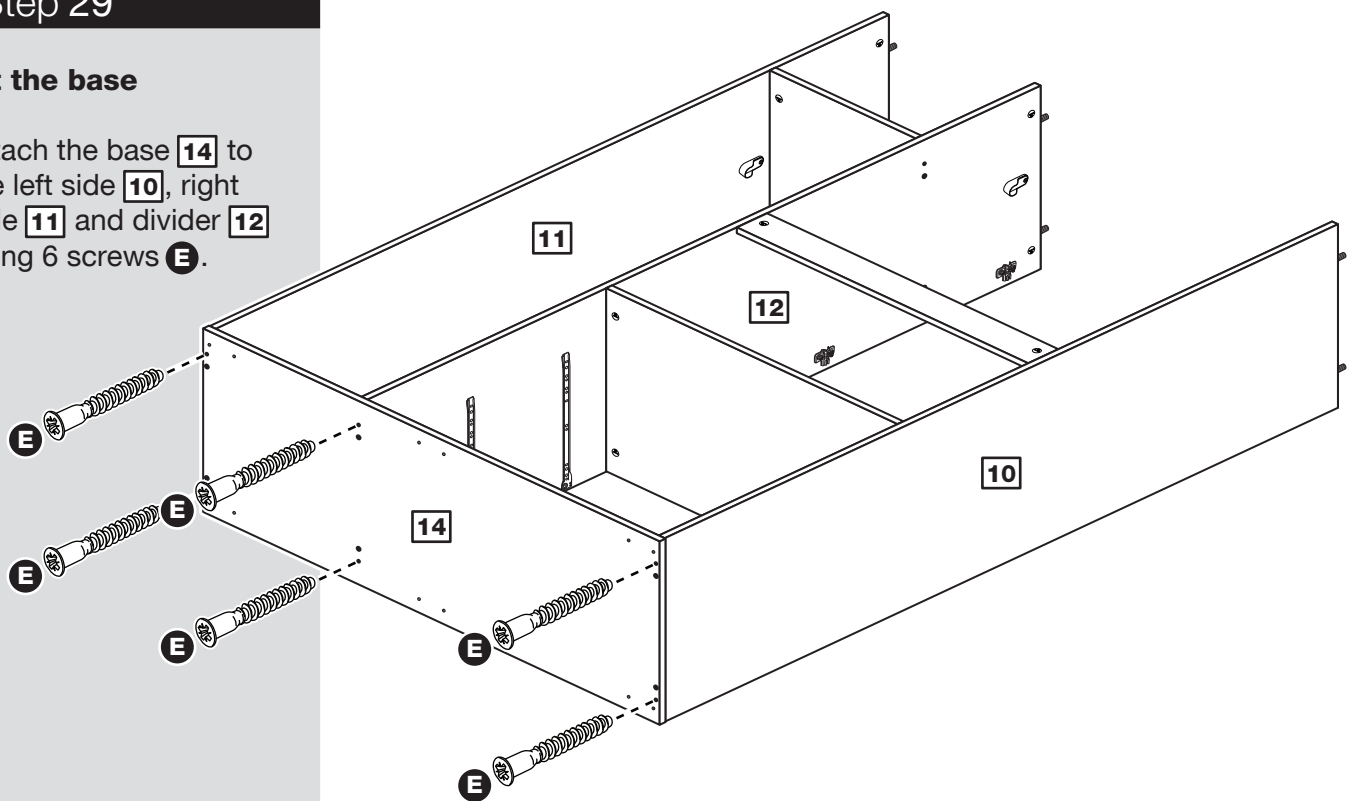


Assembly Instructions

Step 29

Fit the base

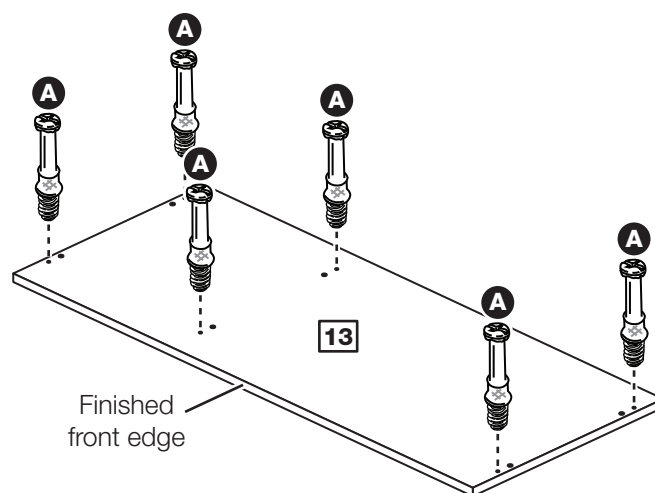
Attach the base **14** to the left side **10**, right side **11** and divider **12** using 6 screws **E**.



Step 30

Prepare the top

Screw 6 metal dowels **A** into the top **13**.



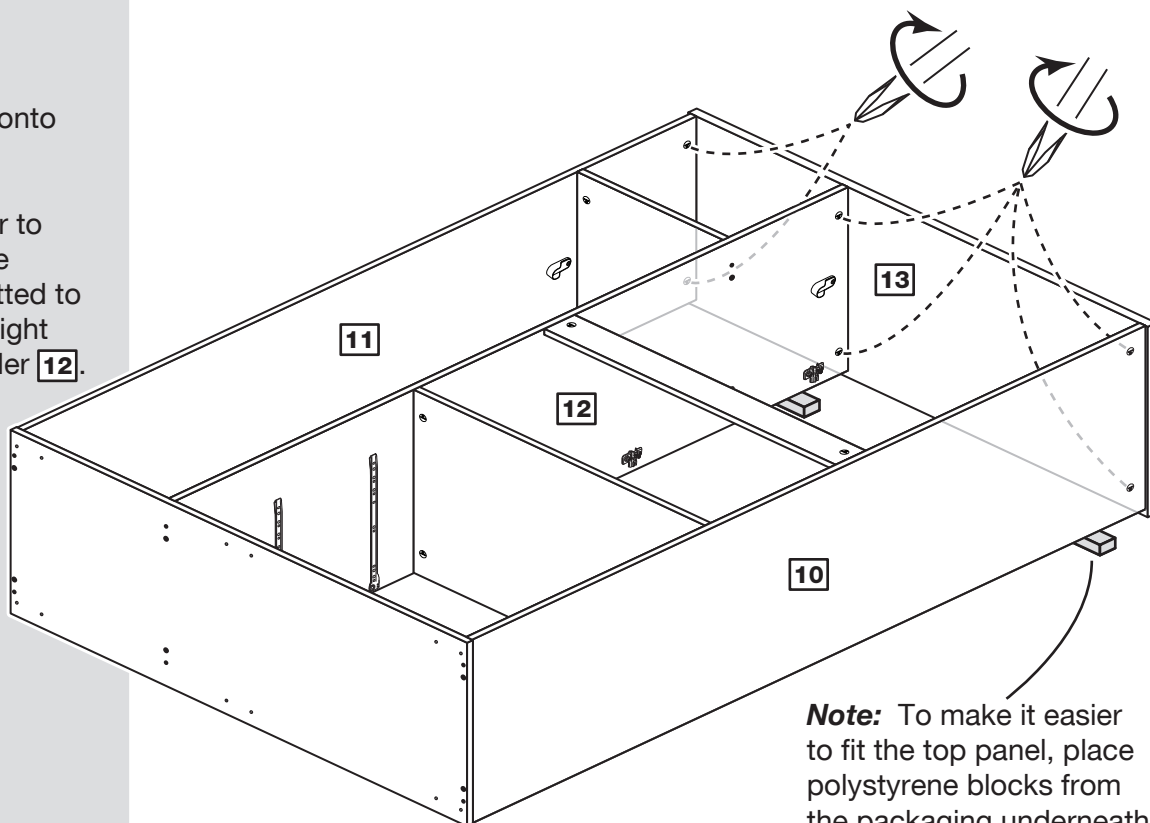
Assembly Instructions

Step 31

Fit the top

Push the top **13** onto the assembly.

Use a screwdriver to tighten the 6 large locking nuts **C** fitted to the left side **10**, right side **11** and divider **12**.

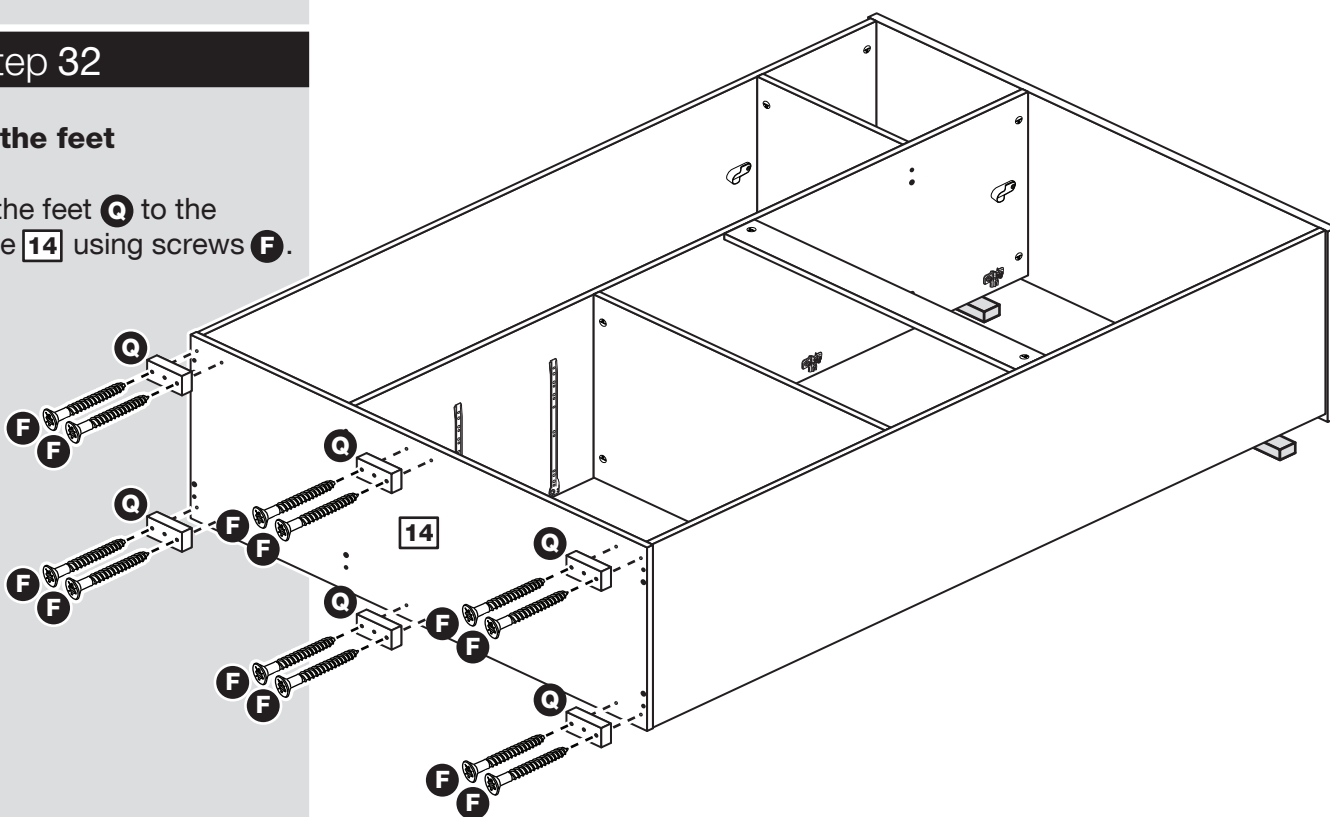


Note: To make it easier to fit the top panel, place polystyrene blocks from the packaging underneath the side and divider panels to raise the assembly.

Step 32

Fit the feet

Fit the feet **Q** to the base **14** using screws **F**.



Assembly Instructions

Step 33

Fit the back panels

a: Square up the unit by making sure that measurement **x:x equals y:y**.

Place the small back **23** and large back **24**, coloured surface facing down, onto the unit as shown.

Make sure that the 2 backs are pushed up tight against each other and that they meet in the centre of the divider's back edge.

b: Nail **J** around the outside edges of the 2 backs.

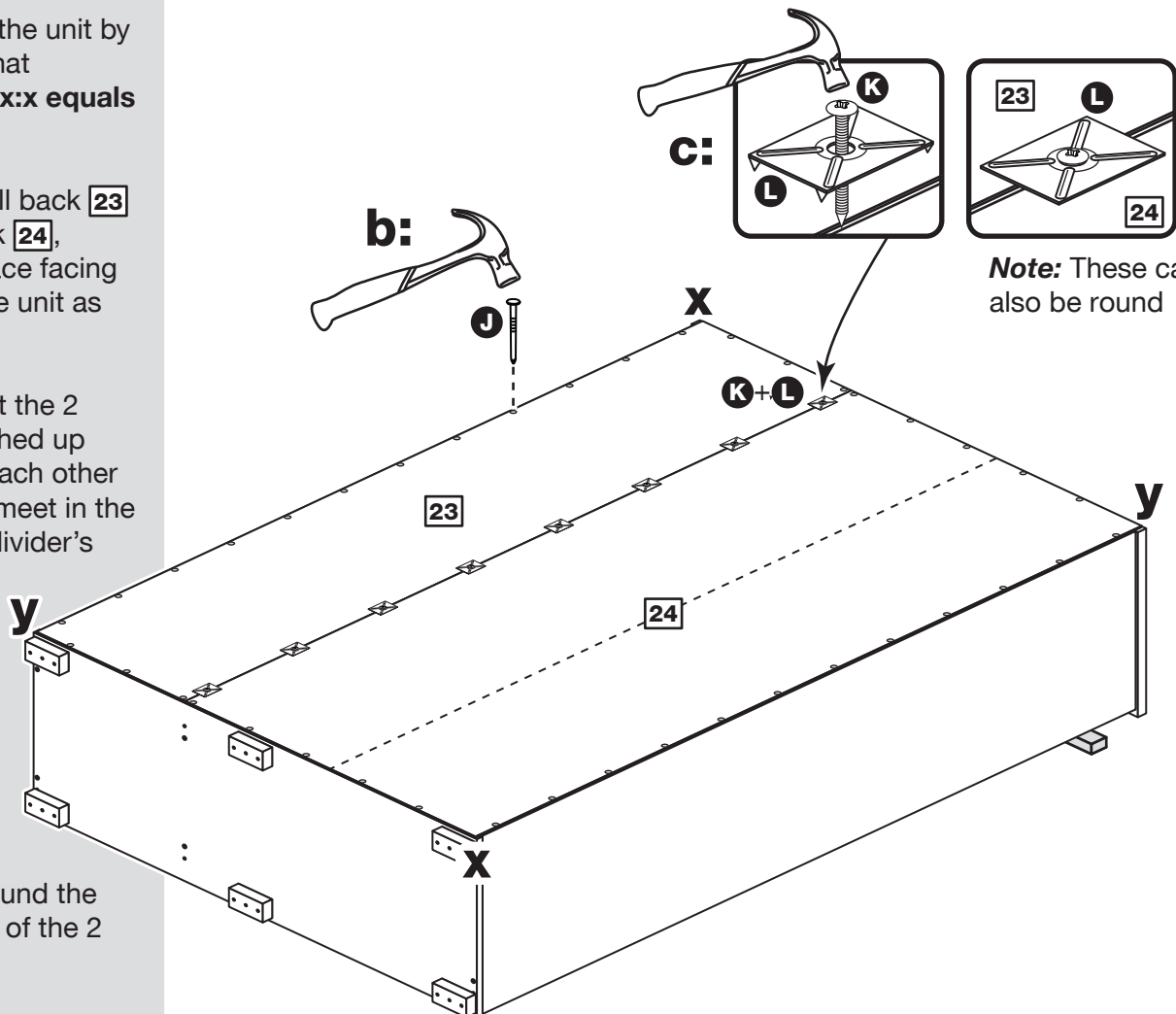
Note: Do not nail where the 2 backs meet.

c: Push the nail screws **K** through the back holders **L** and tap them down between the small back **23** and large back **24** and into the back edge of the divider **12**.

Keep tapping the nail screws **K** in until the back holders **L** dig into the small and large back.

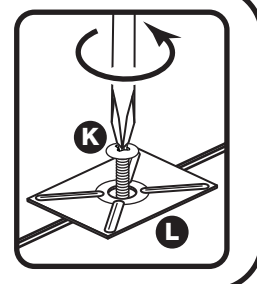
Stand the unit up for the next step.

a: The measurement from top corner **X** to bottom corner **X** must be equal to the measurement from top corner **Y** to bottom corner **Y**



Warning: The unit is heavy. Lift with care.

Note: If ever you need to take the backs off to dismantle the unit, the nail screws can be taken out using a screwdriver.

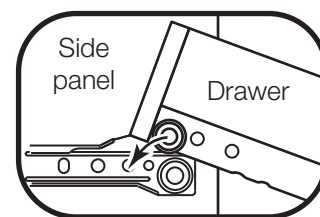
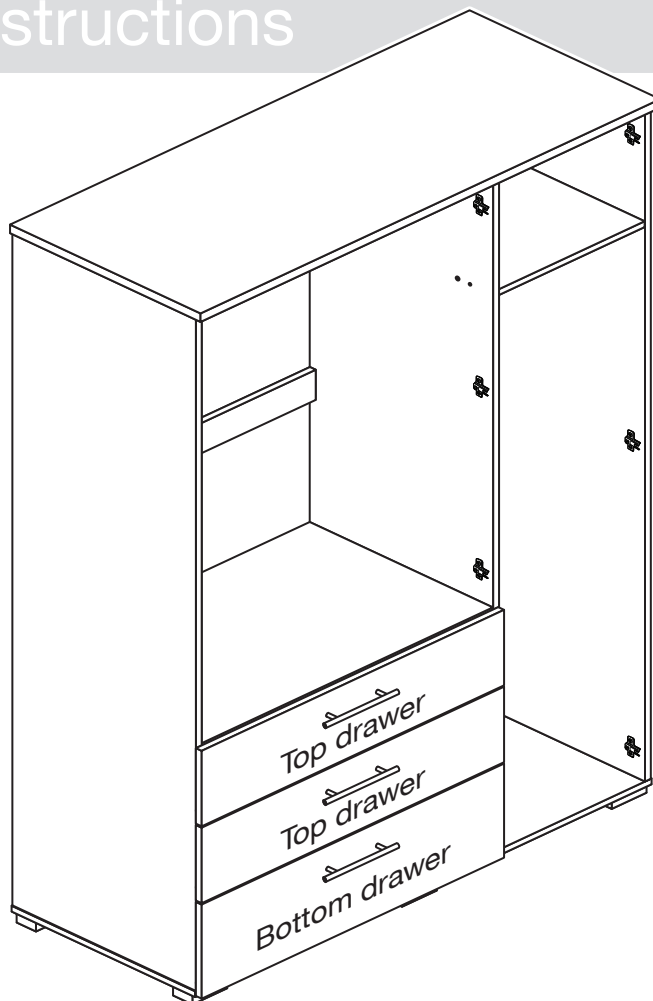


Assembly Instructions

Step 34

Fit the drawers

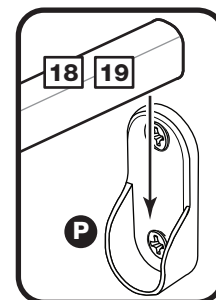
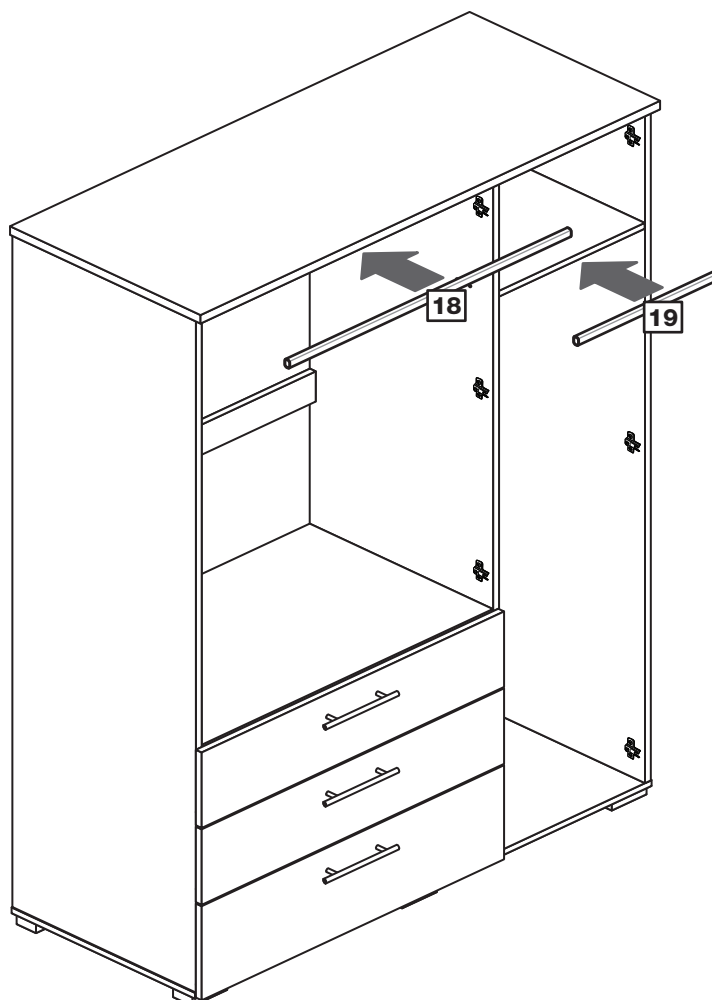
Slide the wheels of the runners fitted to the drawers, over the wheels of the runners fitted to the side panel and push the drawers into position.



Step 35

Fit the hanging rail

Push the hanging rails **18** and **19** into the rail holders **P** fitted to the panels.



Assembly Instructions

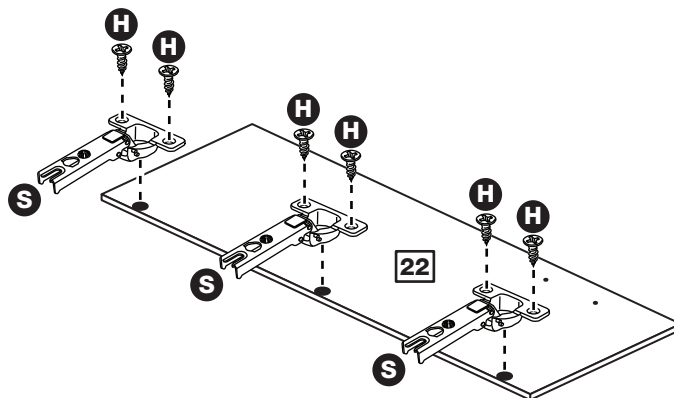
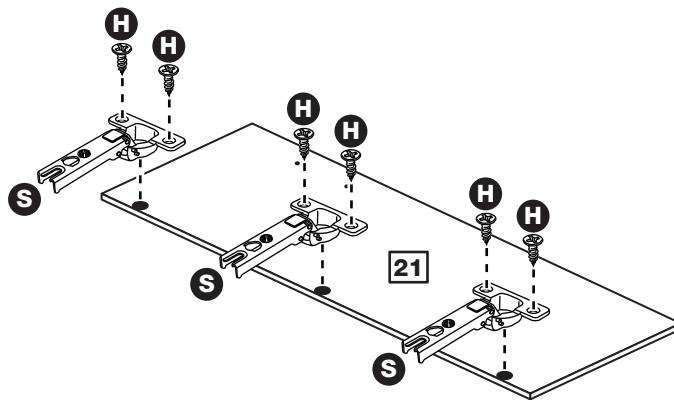
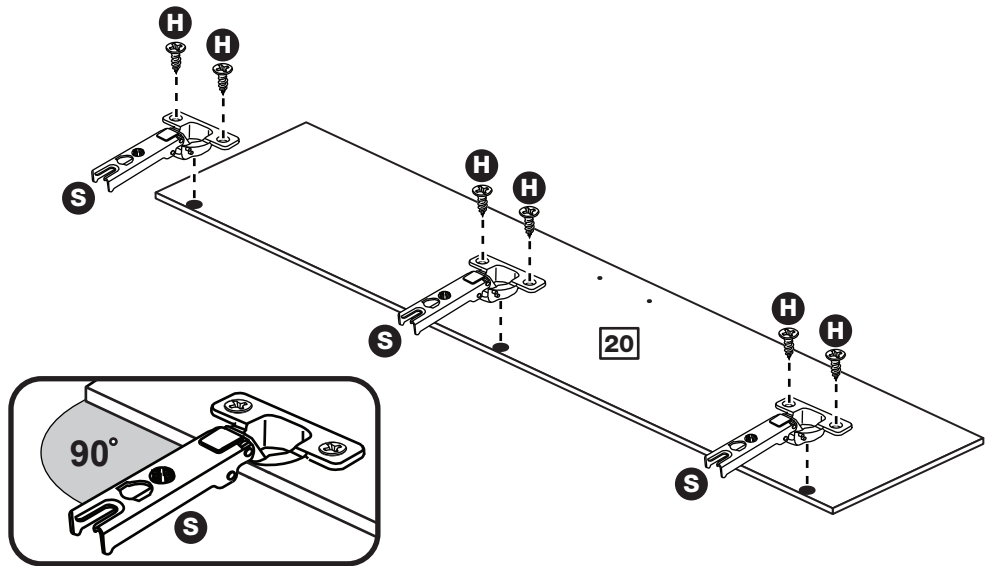
Step 36

Prepare the 3 doors

Push fit 3 hinges **S** into each of the 3 doors **20**, **21** and **22**.

Secure each hinge with 2 screws **H**.

Note: Before securing with the screws, make sure that the hinges are positioned at 90 degrees with the edge of the door.



Assembly Instructions

Step 37

Fit doors and handles

Note: The easiest way to attach each door **20**, **21** and **22** is to fit the top hinge first, then align and fit the other hinges.

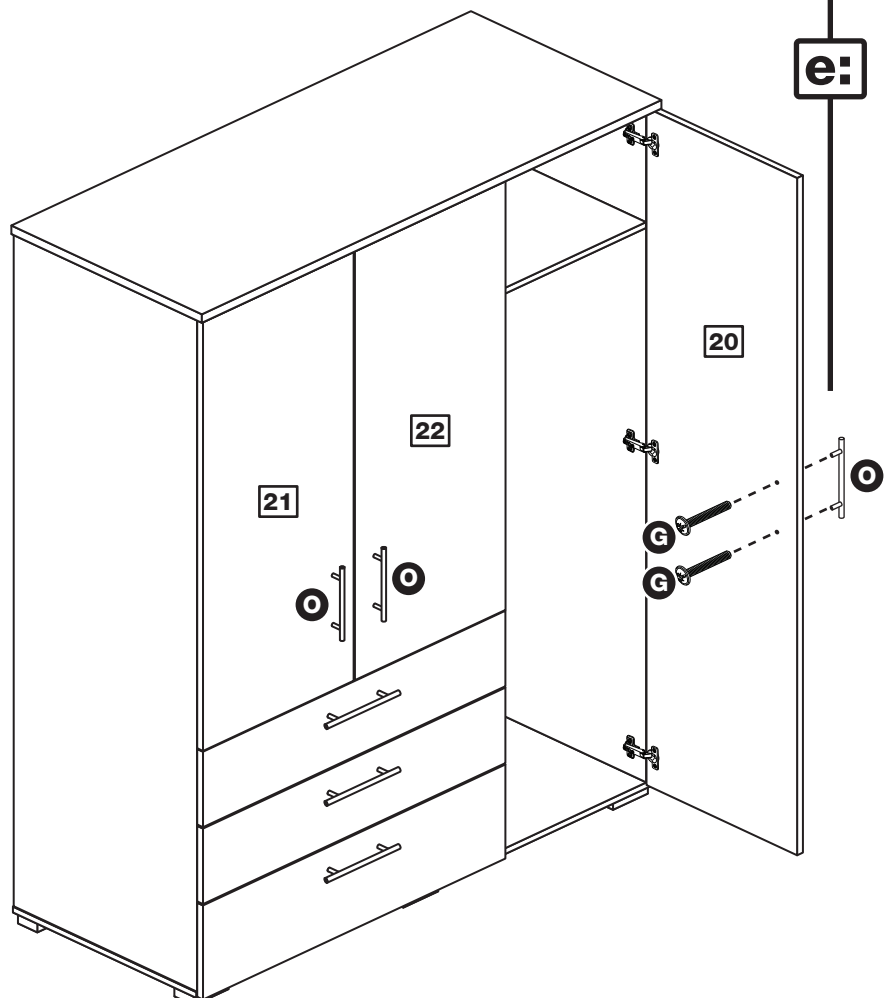
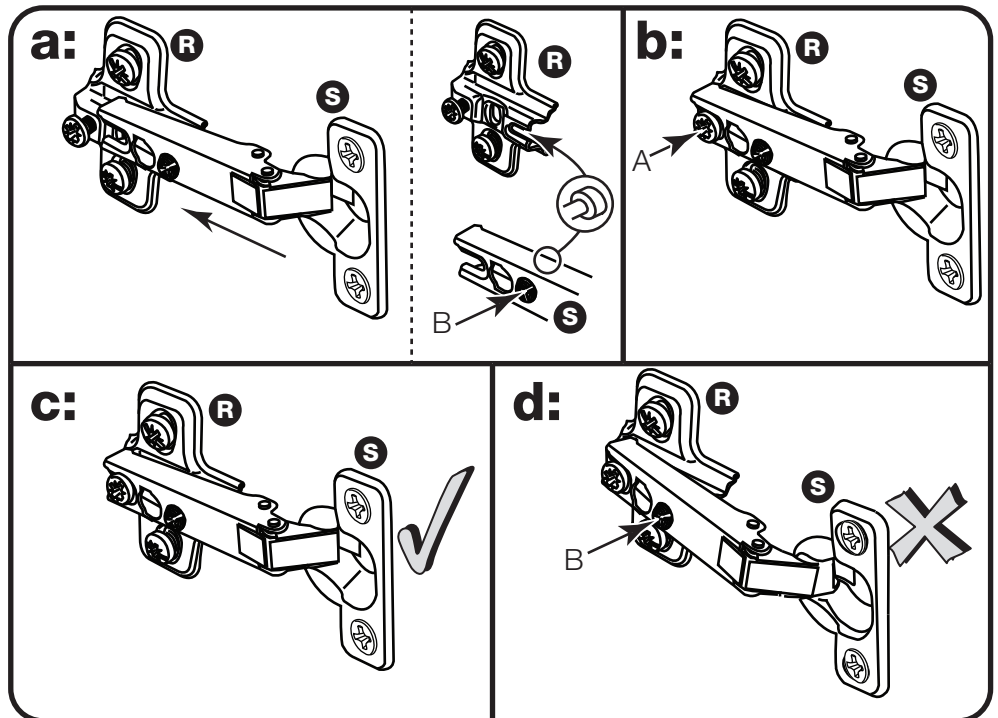
a: Push the hinge **S** onto the front part of the hinge plate **R**. The recess at the bottom of screw B goes into the slot in the hinge plate.

b: Keep the hinge **S** FLAT against the hinge plate **R** as you slide it across as far as it will go. Tighten screw A.

c: The hinge **S** must be flat against the hinge plate **R** prior to any adjustment.

d: The hinge **S** must NOT be AT AN ANGLE to the hinge plate **R** when assembled. This would indicate that the recess at the bottom of screw B had not located in the slot in the hinge plate and the hinge would not be secure. Remove the hinge from the hinge plate and then re-assemble being careful to follow instructions a-c.

e: Attach a handle **O** to each door **20**, **21** and **22** using screws **G**.



Assembly Instructions

Step 38

Adjust the doors if needed

a: Before adjusting the doors, use a spirit level to check the base (or top) of the unit is level, front-to-back and side-to-side in the 3 positions shown. Use suitable packing pieces (not supplied) to make the unit level BEFORE making any adjustment to the hinges, as shown.

b: Height adjustment.

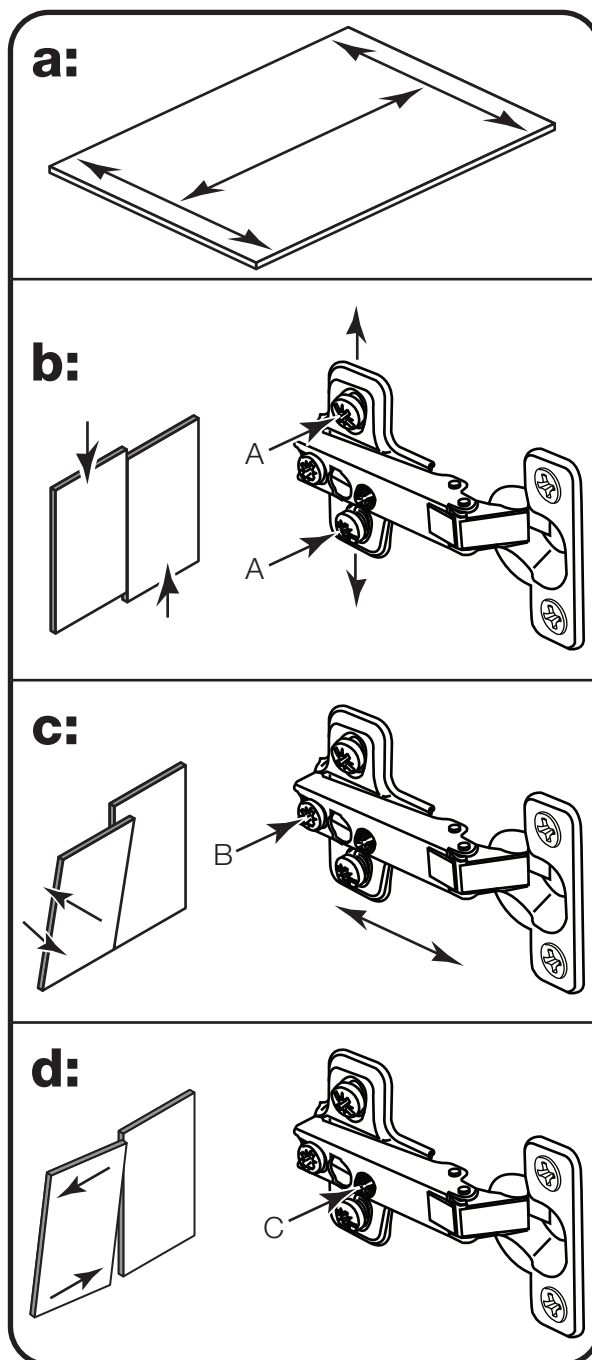
Loosen screws A on hinge plates and move door up or down as required. Retighten screw A.

c: Forward and Back adjustment.

Loosen screw B on hinge plate and move door in or out as required. Retighten screw B.

d: Sideways adjustment.

To move door 'out' loosen screw C. To move door 'in' tighten screw C.



Assembly Instructions

Step 39

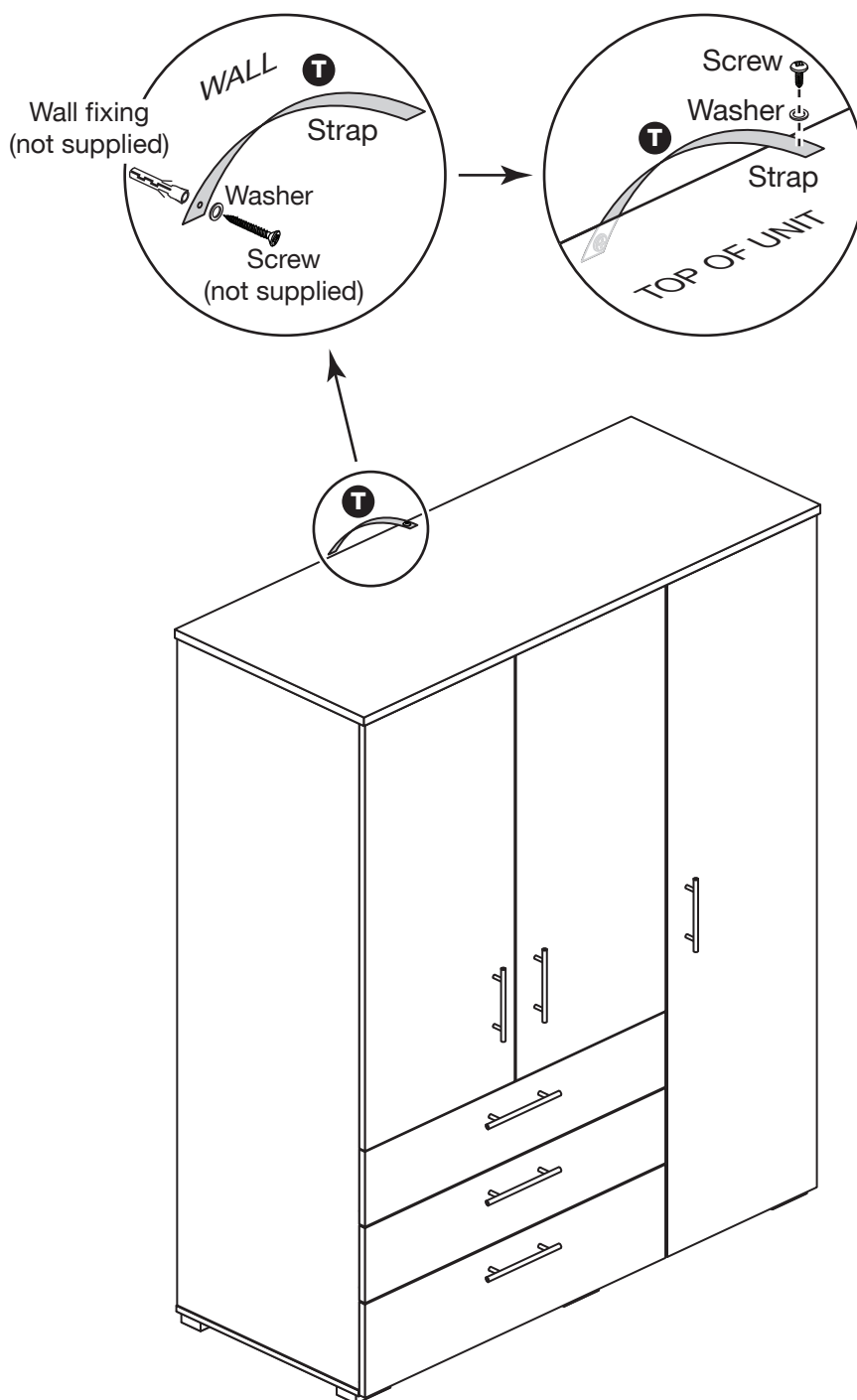
Fit the overbalance protector

To prevent possible overbalancing we recommend that this unit is secured to a suitable wall by fitting of the overbalance protector kit **T** to the unit, or an alternative fixing method of your choice.

Wall fixings are not supplied as they will need to suit the wall type.

Note: Take care when drilling the wall that you do not drill into any pipes, wires etc. If in doubt, consult an expert.

Assembly is complete



If you need help or have damaged or missing parts, call the Customer Helpline: 03456 400800 and quote the reference numbers on the component pages.

Argos Ltd, 489-499 Avebury Boulevard, Central Milton Keynes, MK9 2NW

