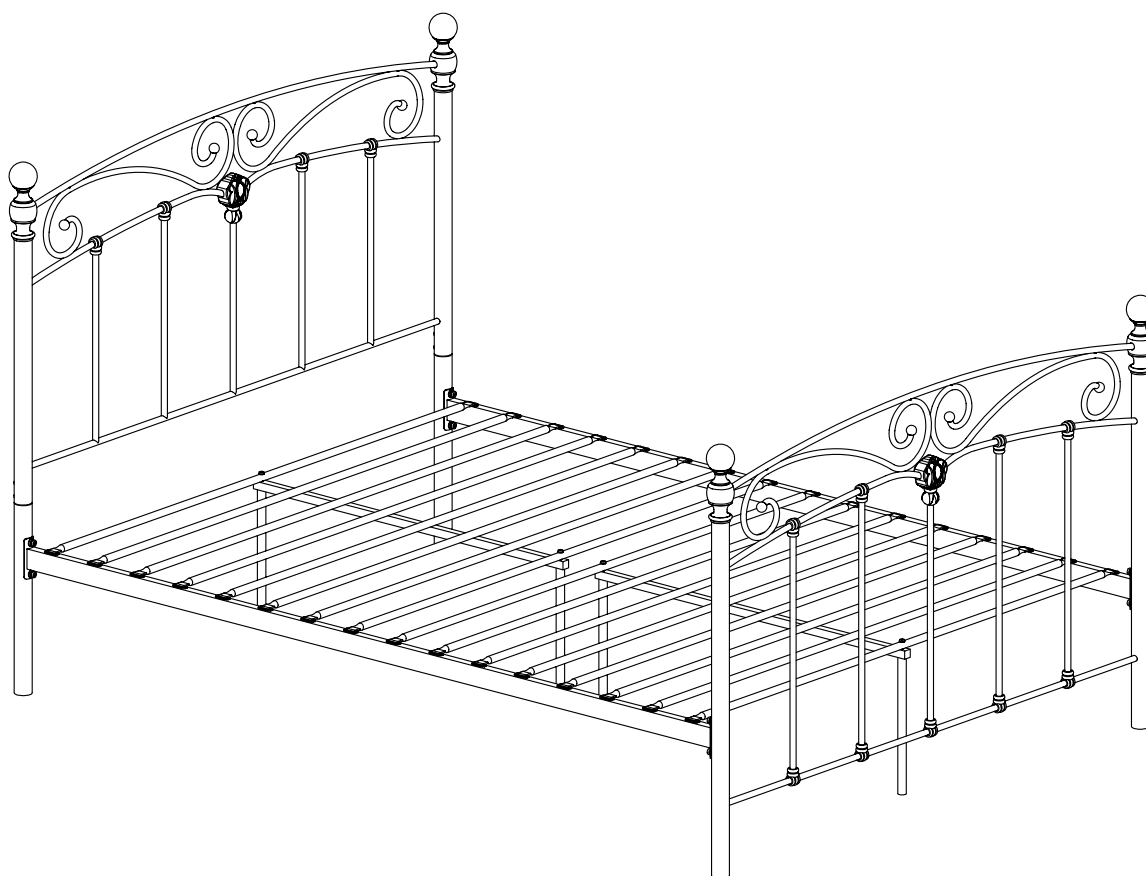


Isla Metal 4ft6 Bed

Assembly Instructions - Please keep for future reference

379/5271



Dimensions

Width - 143cm

Depth - 201cm

Height - 119cm

Important – Please read these instructions fully before starting assembly

If you need help or have damaged or missing parts, call the **Customer Helpline:**
Argos = 0345 640800



Safety and Care Advice

Important – Please read these instructions fully before starting assembly

- Check you have all the components and tools listed on the following pages.
- Remove all fittings from the plastic bags and separate them into their groups.
- Keep children and animals away from the work area, small parts could choke if swallowed.
- Make sure you have enough space to layout the parts before starting.

- During assembly do not stand or put weight on the product, this could cause damage.
- Assemble the item as close to its final position (in the same room) as possible.
- Assemble on a soft level surface to avoid damaging the unit or your floor.
- Parts of the assembly will be easier with 2 people.



- To reduce the likelihood of damaging your product please ensure that your power drill is set on a low torque setting.

Care and maintenance

- Only clean using a damp cloth and mild detergent, do not use bleach or abrasive cleaners.
- From time to time check that there are no loose screws on this unit.
- This product should not be discarded with household waste. Take to your local authority waste disposal centre.

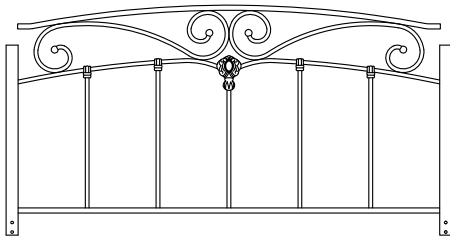
Handy Hints

- Assemble all parts and bolts loosely during assembly, only once the product is complete should you fully tighten the bolts
- Regularly check and ensure that all bolts and fittings are tightened properly.

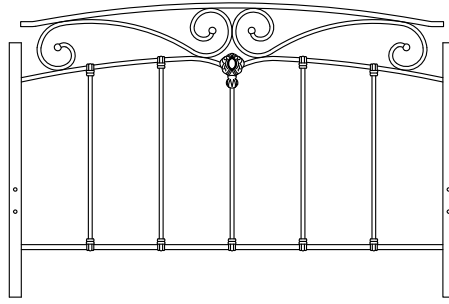
Components - Panels

If you have damaged or missing components, call the
Customer Helpline: Argos = 0345 6400800

Please check you have all the panels listed below



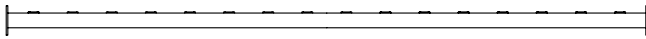
1 Headboard
(140.7 x 72.6cm)



2 Footboard
(140.7 x 93cm)



3 Headboard post x 2
(dia3.8 x 47.5cm)



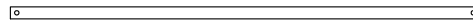
4 Side rail x 2
(192.2 x 9cm)



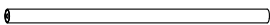
5 Slat x 12
(137.2 x 3.2cm)



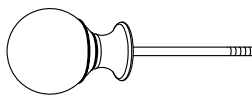
6 Slat x 4
(137.2 x 3.2cm)



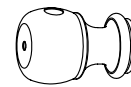
7 Center support slat x 2
(86.7 x 1.8cm)



8 Leg x 4
(dia1.8 x 30.5cm)



9 Finial x 4
(dia6 x 18cm)


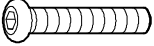
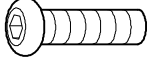








10 Finial base x 4
(dia5.9 x 8.4cm)

Components - Fittings

Please check you have all the fittings listed below

Note: The quantities below are the correct amount to complete the assembly. In some cases more fittings may be supplied than are required.

A  16mm Bolt x 4	B  49mm Bolt x 4	C  30mm Bolt x 8
D  Small plain washer x 4	E  Large plain washer x 8	F  Spring washer x 8
G  Plastic washer x 8	H  Small hex key x 1	I  Large hex key x 1

Ruler - Use this ruler to help correctly identify the screws

0 5 10 15 20 25 30 35 40 45 50 55 60 65 70 75 80 85 90 95 100 105 110 115 120 125 130 135 140 145 150 155 160 165 170

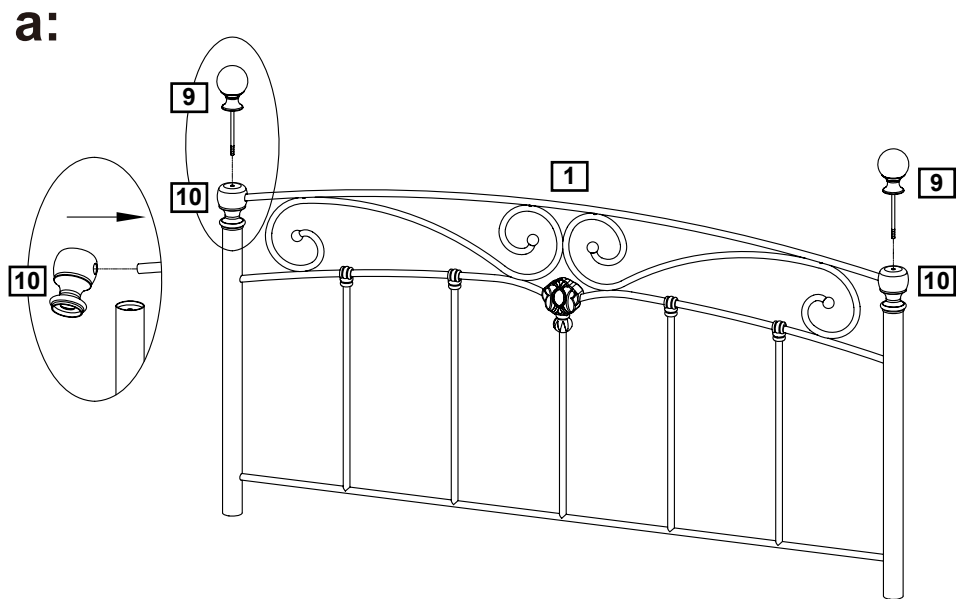


The bolts length is measured from the head to the point (30mm bolt shown).

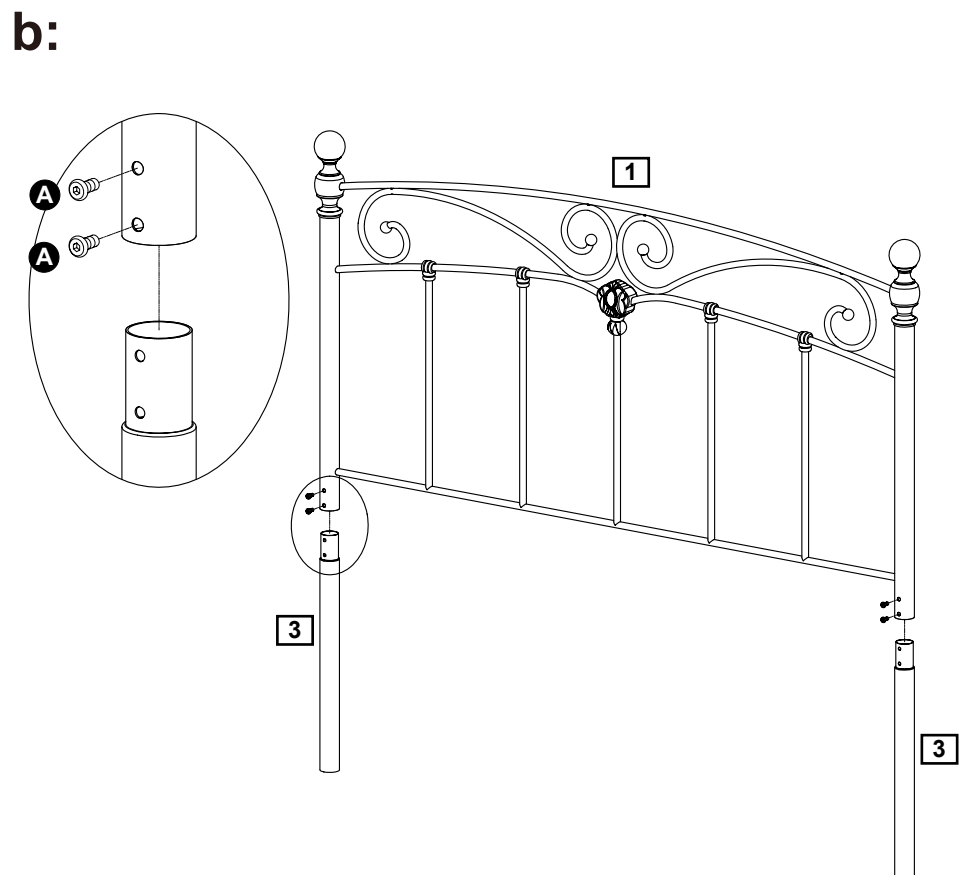
Assembly Instructions

Step 1

a: Insert finial bases **10** to headboard **1**, then screw finials **9** into the headboard.



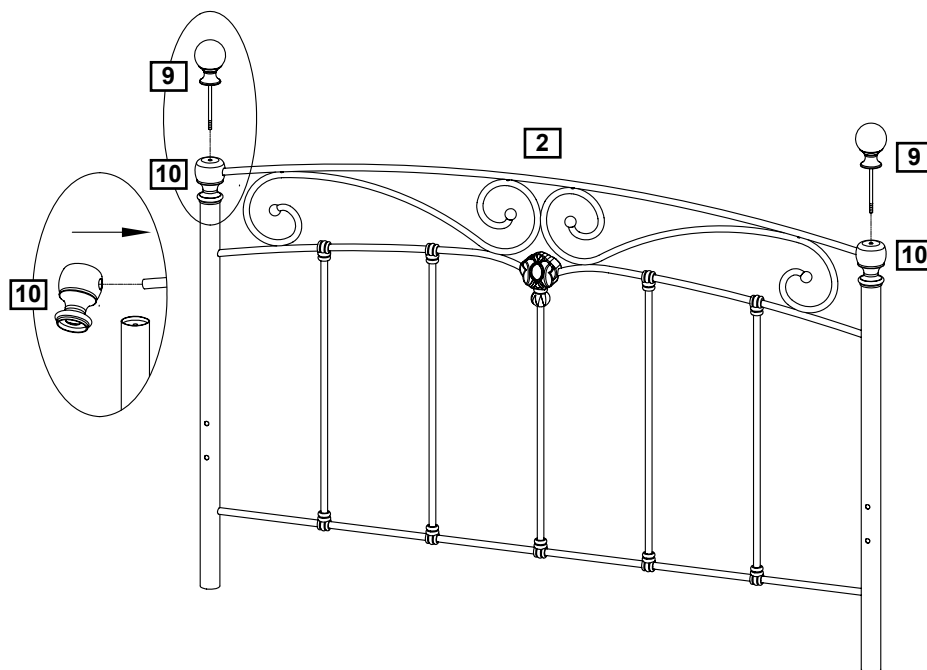
b: Fix headboard post **3** to headboard **1** using bolts **A**.



Assembly Instructions

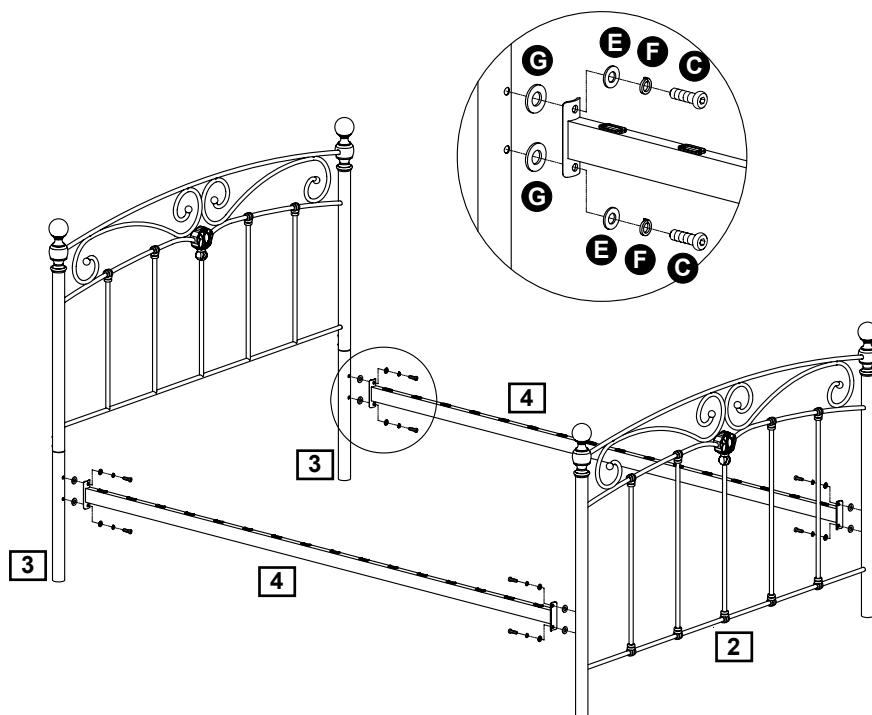
Step 2

Insert finial bases **10** to footboard **2**, then screw finials **9** into footboard.



Step 3

Fix side rails **4** to headboard posts **3** and footboard **2** using bolts **C**, spring washers **F**, large plain washers **E** and plastic washers **G**.

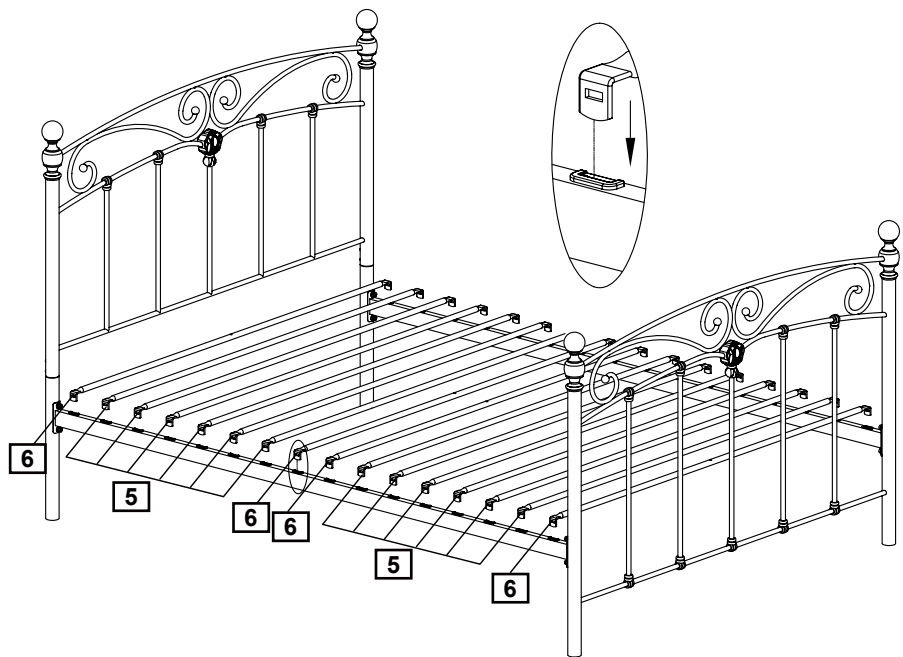


! *Important note:*
Do not fully tighten bolts at this stage.

Assembly Instructions

Step 4

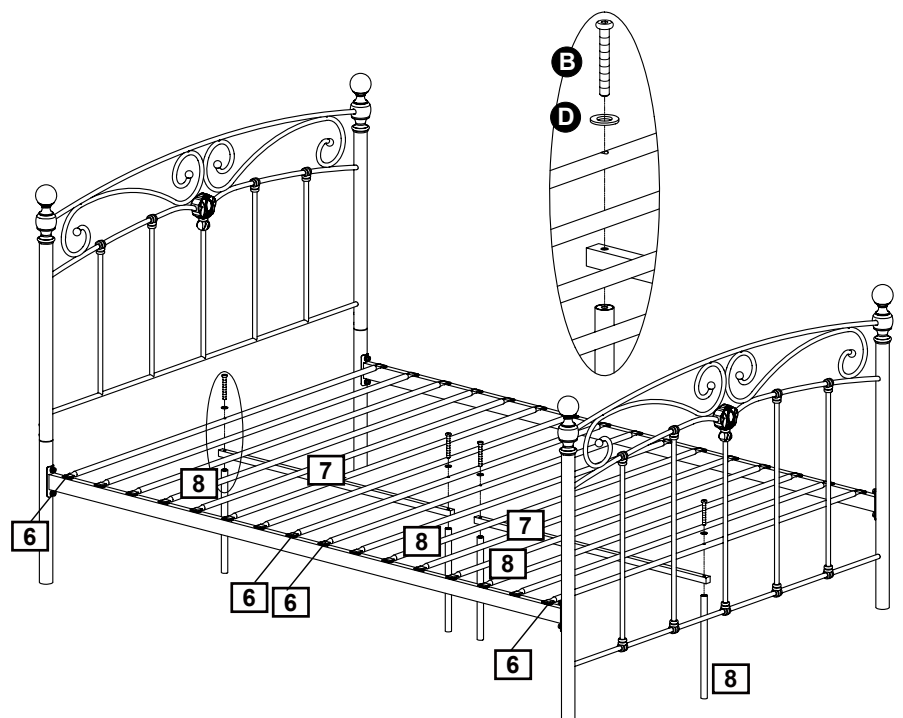
Insert slats **5** and **6** to the side rails.



Step 5

Use bolts **B** and small plain washers **D** to fix legs **8** and center support slats **7** onto slats **6**.

Assembly is complete.



Important note: After all the parts are positioned, you can now fully tighten all bolts fixed on previous steps.

If you need help or have damaged or missing parts, call the **Customer Helpline:**
Argos = 0345 6400800