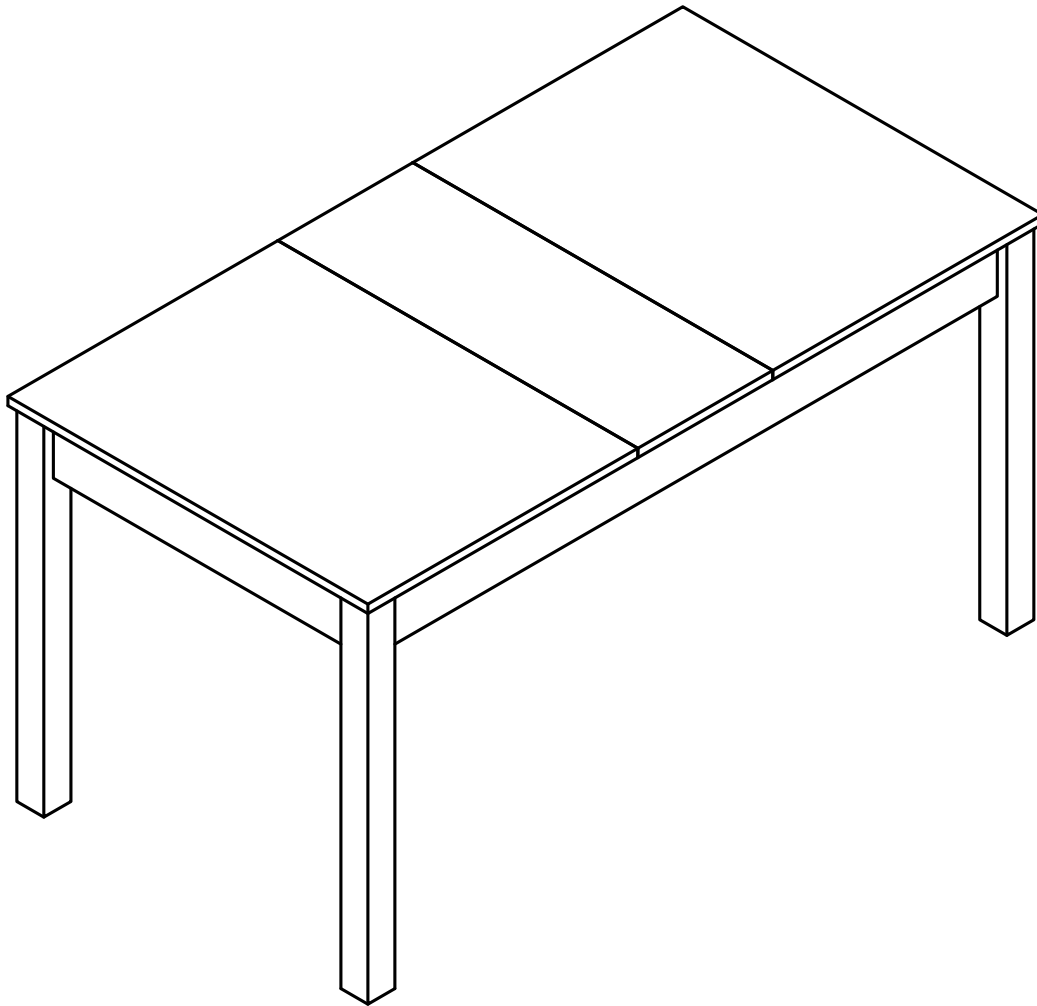


Haversham - Dining Table

Assembly Instructions - Please keep for future reference

376/6066



Dimensions

Width - 150cm

Depth - 80cm

Height - 78cm

Important – Please read these instructions fully before starting assembly

If you need help or have damaged or missing parts, call the **Customer Helpline: 03456 400 800**



Safety and Care Advice

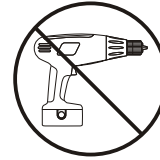
Important – Please read these instructions fully before starting assembly

- Check you have all the components and tools listed on pages 2 and 3.
- Remove all fittings from the plastic bags and separate them into their groups.
- Keep children and animals away from the work area, small parts could choke if swallowed.
- Make sure you have enough space to layout the parts before starting.
- Assemble on a soft level surface to avoid damaging the unit or your floor.

· This product contain Natural timber; you may notice some variation in the grain and colour of different component parts which is normal for furniture produced using natural wood and is not the result of any manufacturing fault.

· Do not stand or put weight on the product, this could cause damage.

· Assemble the item as close to its final position (in the same room) as possible.



· We do not recommend the use of power drill/drivers **for inserting screws**, as this could damage the unit. Only use hand screwdrivers.

· Parts of the assembly will be easier with 2 people.

· Dispose of all packaging carefully and responsibly.

Care and maintenance

· Use an appropriate furniture polish for natural wood furniture and a dry cloth to clean the product.

· Avoid placing the furniture in direct sunlight as this will cause the timber to prematurely age.

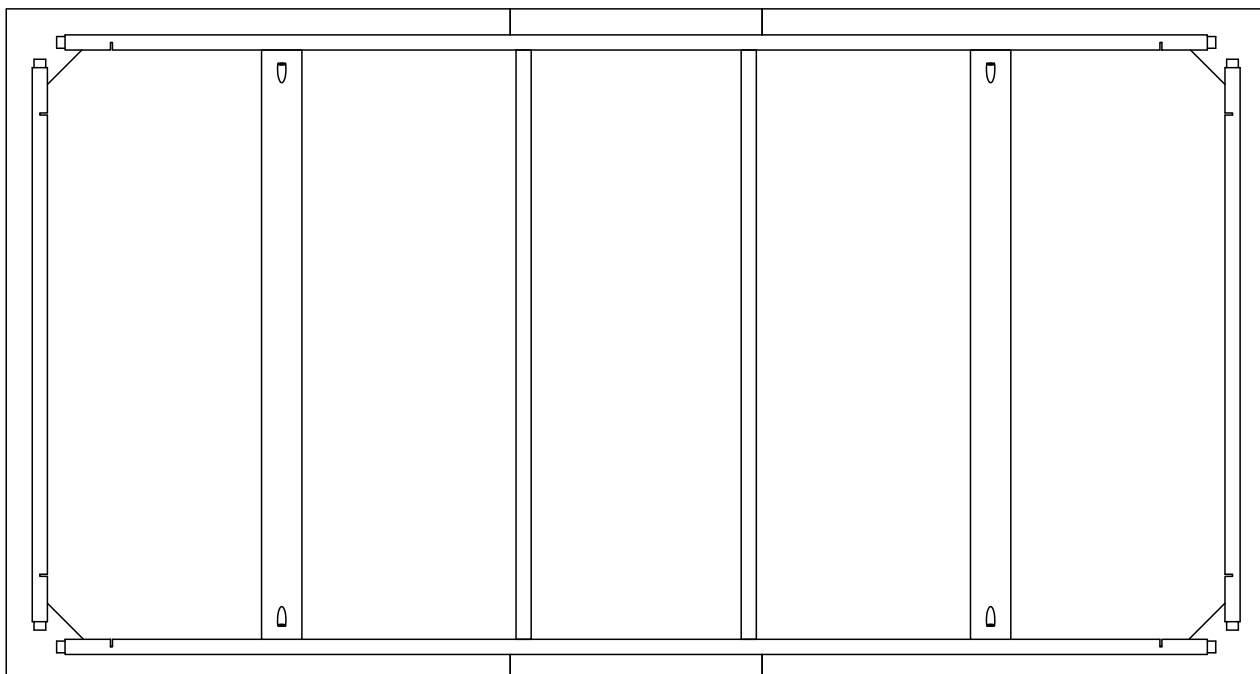
· From time to time check that there are no loose screws on this unit.

· This product should not be discarded with household waste. Take to your local authority waste disposal centre.

Note: if required the next page can be cut out and used as reference throughout the assembly. Keep this page with these instructions for future reference.

Components - Panels

Please check you have all the panels listed below



01 Top panel (150 x 80cm)



02 Leg x 4 (76,2 x 6cm)



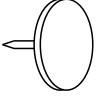


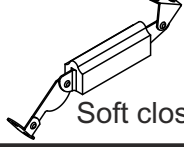




Components - Fittings

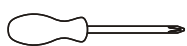
If you have damaged or missing components, call the Customer Helpline: **03456 400 800**

Please check you have all the fittings listed below

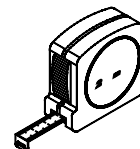
Note: The quantities below are the correct amount to complete the assembly. In some cases more fittings may be supplied than are required.

<p>A</p>  <p>Allen key X 1</p>	<p>B</p>  <p>1/4x40mm Bolt X8</p>	<p>C</p>  <p>Foot pad X 4</p>
<p>D</p>  <p>3,5 x 16mm Screw X 24</p>	<p>E</p>  <p>3,0 x 16mm Screw X 16</p>	<p>F</p>  <p>Soft close hinge X 06</p>
<p>G</p>  <p>Top panel hinge X 4</p>	<p>H</p>  <p>Top panel clip X 4</p>	

Tools required



Phillips screwdriver
(medium & large)



Ruler/tape
measure



Small
hammer



Eye protection
(when using a
hammer or glue)

Ruler - Use this ruler to help correctly identify the screws



Assembly Instructions

Step 1

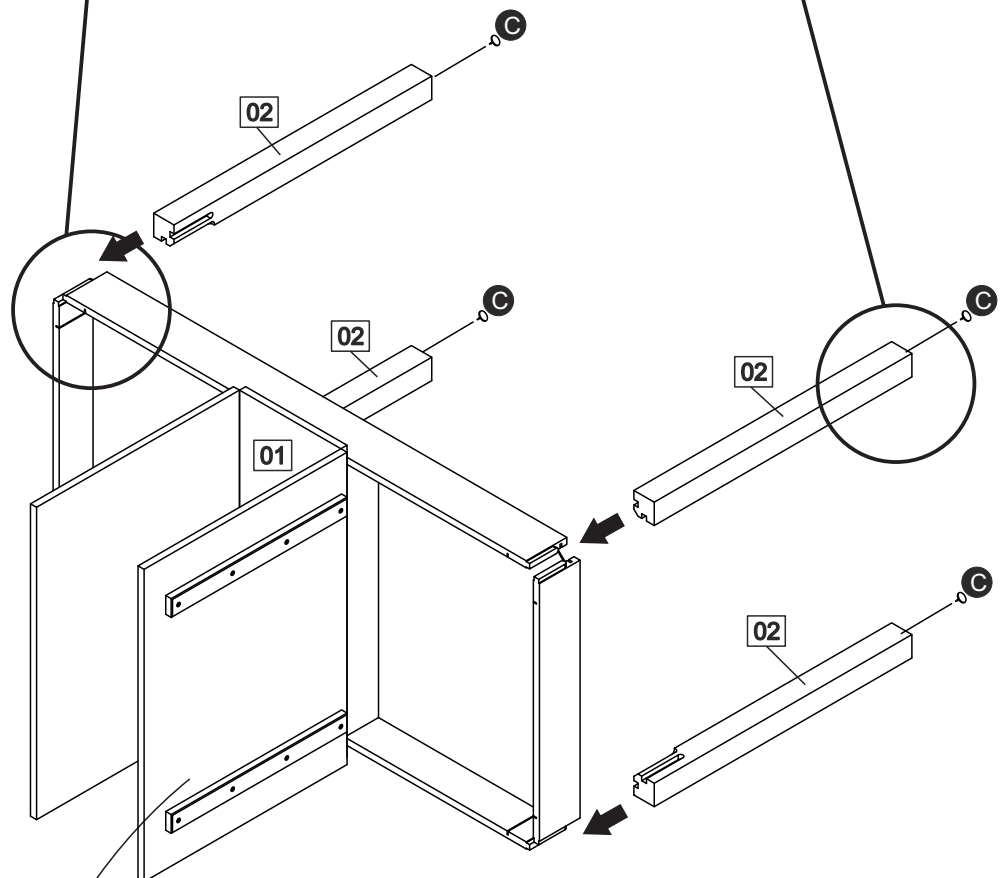
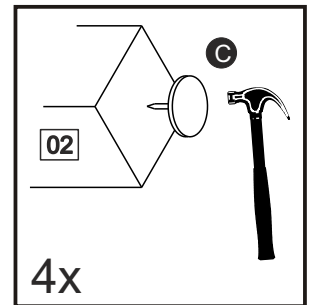
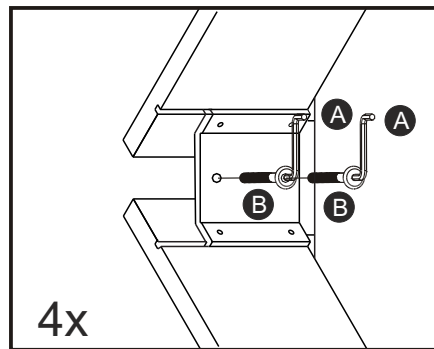


Caution!
Carefully place the top panel **01** sideways on a soft and clean surface to avoid damaging the product.

With help, insert legs **02** into top panel through joints, as shown.

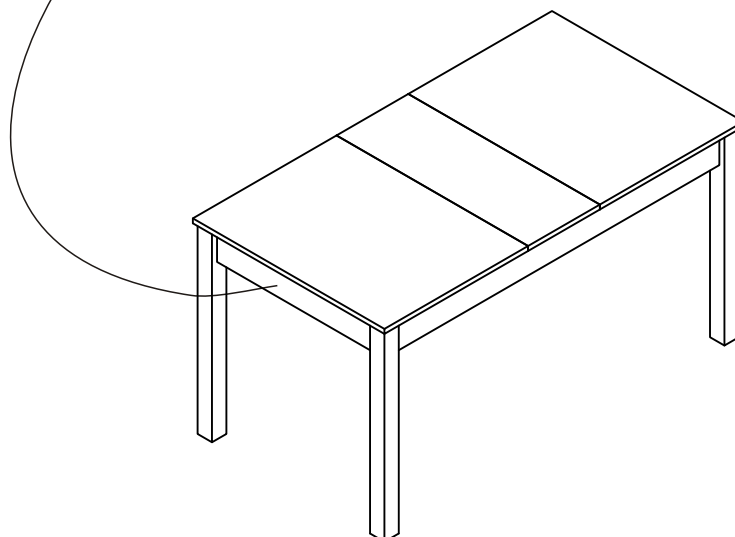
Fix legs **02** to the table top **01** using bolts **B** and allen key **A**.

With the help of a hammer, fix foot pads **C** as shown.



Step 2

Turn the table upright.



If you need help or have damaged or missing parts, call the **Customer Helpline: 03456 400 800**

Assembly Instructions

Step 3



Caution!

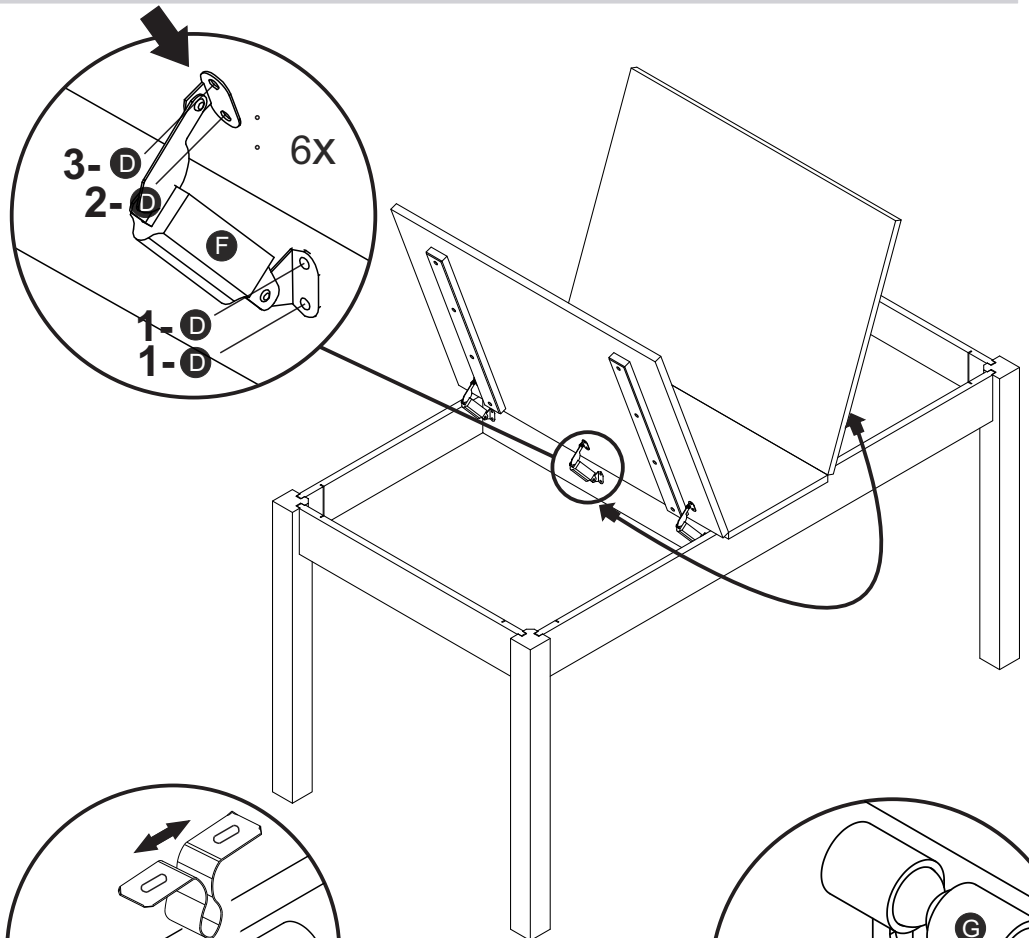
Two people are required for Steps

03 and 04.

With help, open the compartment and fix soft closing hinges **F** using screws **D** into pre drilled holes as shown.

First, fix hinges at the interior of table (number 1), then, force the other side of hinge down in order to fix numbers 2 and 3 in the pre-drilled holes.

Make sure to fix screws following the order as shown in the picture (1-2-3).

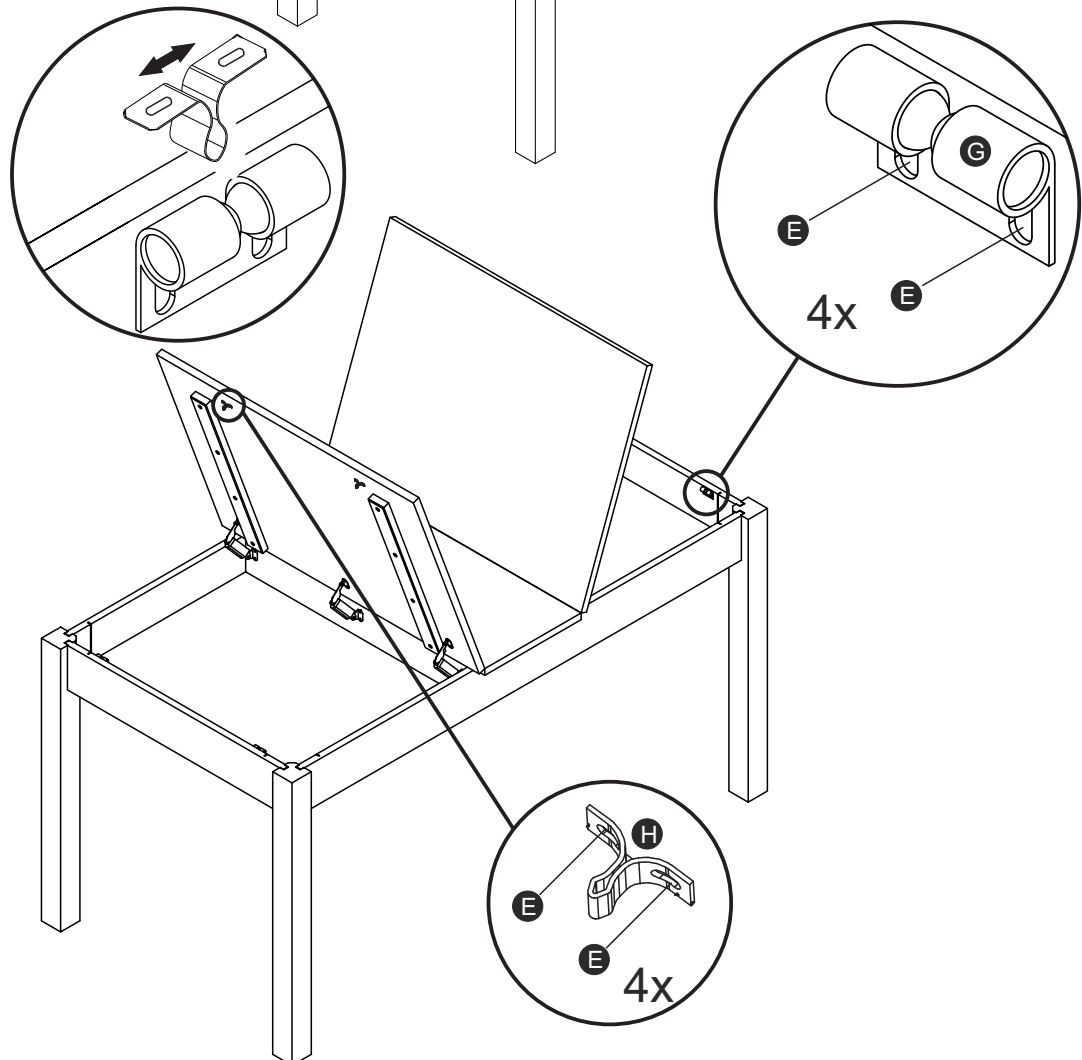


Step 4

Fix four top panel hinges **G** into pre drilled holes using screws **E** as shown. Make sure they are positioned correctly.

Fix four top panel clips **H** using screws **E** into pre drilled holes as shown.

Before closing the top, make sure clips **H** are centralized in hinges **G**. If not, unscrew screws **E** and move clip **H** left or right.



Assemble is complete

If you need help or have damaged or missing parts, call the **Customer Helpline: 03456 400 800**