

Bestway®

www.bestwaycorp.com

Visit Bestway YouTube channel 



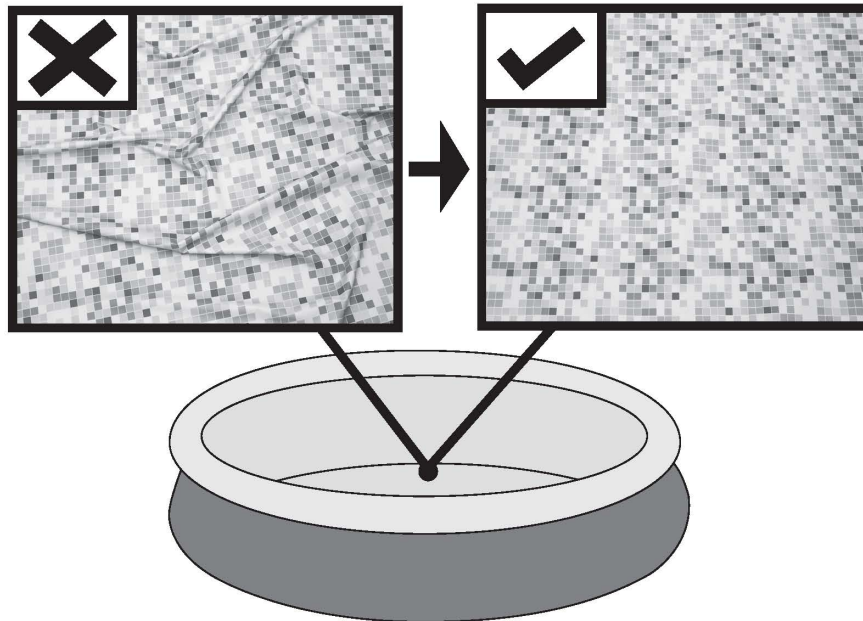


**WARNING / ATENÇÃO / ADVERTENCIA / ACHTUNG / VAROITUS
WAARSCHUWING / AVVERTENZA / ATTENTION / ΠΡΟΕΙΔΟΠΟΙΗΣΗ
ВНИМАНИЕ / OSTRZEŻENIE / FIGYELMEZTETÉS / VARNING**

smooth out the bottom
suavizar o fundo
suavizar la parte inferior
glätten den Boden
tasoittaa pohjaan

glad uit de bodem
appianare il fondo
lisser le fond
ΕΞΟΜΑΛΥΝΕΙ ΤΟ ΠΥΘΜΕΝΑ
сгладить нижней

wygladzić dna
elsimítására az alsó
jämma ut botten



Put 1" to 2" water in the pool to cover the floor. Once pool floor is slightly covered, gently smooth out all wrinkles. Start in the center of the pool and work your way clockwise to the outside.

Encher a piscina com uma quantidade de água suficiente para cobrir a superfície (de 2 a 5 cm). Uma vez que a superfície estiver levemente coberta, eliminar todas as dobras presentes, começando pelo centro da piscina e continuando, no sentido horário, em direção à parte externa.

Ponga de 1" a 2" de agua en la piscina para cubrir el suelo. Cuando la piscina esté un poco cubierta, alise suavemente las arrugas. Comience desde el centro de la piscina y trabaje en sentido horario hacia el exterior.

Füllen Sie 1" bis 2" Wasser in den Pool, so dass der Boden bedeckt ist. Glätten Sie vorsichtig alle Falten sobald der Poolboden leicht bedeckt ist. Beginnen Sie in der Mitte des Pools und arbeiten Sie im Uhrzeigersinn zur Außenseite.

Laita altaaseen 2,5 - 5cm:n kerros vettä pohjan peittämiseksi. Kun altaan pohja on peittynyt, silitä varovasti kaikki rypyt. Aloita keskeltä ja etene myötäpäivään laidolle.

Doe 1" tot 2" water in het zwembad, net voldoende om de bodem onder water te zetten. Wanneer dit gebeurd is worden alle rimpels voorzichtig gladgestreken. Begin in het midden van het zwembad en ga zo rechtsom naar de rand toe.

Riempire la piscina con una quantità d'acqua sufficiente a coprire la superficie (da 2,5 a 5cm) Una volta piscina verso l'esterno muovendosi in senso orario. eseguita questa operazione, eliminare tutte le pieghe presenti sulla superficie partendo dal centro della.

Mette quelques centimètres d'eau dans la piscine pour couvrir le sol. Une fois que le sol de la piscine est légèrement recouvert, lissez tous les plis. Commencez par le centre de la piscine et continuez dans le sens des aiguilles d'une montre vers l'extérieur.

ΒΑΛΤΕ 1" ΕΩΣ 2" ΝΕΡΟ ΣΤΗΝ ΠΙΣΙΝΑ ΓΙΑ ΝΑ ΚΑΛΥΨΕΤΕ ΤΟ ΠΑΤΩΜΑ. ΜΟΛΙΣ ΚΑΛΥΦΘΕΙ ΕΛΑΦΡΑ ΤΟ ΠΑΤΩΜΑ ΤΗΣ ΠΙΣΙΝΑΣ, Ο ΕΓΚΑΤΑΣΤΑΤΗΣ ΠΡΕΠΕΙ ΝΑ ΙΣΙΩΣΕΙ ΟΛΕΣ ΤΙΣ ΠΤΥΧΕΣ. ΞΕΚΙΝΗΣΤΕ ΑΠΟ ΤΟ ΚΕΝΤΡΟ ΤΗΣ ΠΙΣΙΝΑΣ ΚΑΙ ΣΥΝΕΧΙΣΤΕ ΔΕΞΙΟΣΤΡΟΦΑ ΠΡΟΣ ΤΑ ΕΞΩ.

Налейте немного воды в бассейн так, чтобы она покрывала дно на 3-5 сантиметров. Когда вода налита, аккуратно расправьте складки дна. Начинайте с центра бассейна и двигайтесь к краям по часовой стрелке.

Puść wodę do basenu o głębokości 1" - 2", aby jej warstwa zakryła dno basenu. Jeśli dno basenu jest już trochę zakryte wodą, delikatnie wygładź wszystkie jego fałdy. Zaczynj od środka basenu i idąc w kierunku zgodnym z ruchem wskazówek zegara, podążaj do brzegu basenu.

A medencébe engedjen 1" - 2" mélységű vizet, hogy az a medence fenekét befedje. Ha a medence alján egy kis mennyiségű víz található, a gyűrődéseket finoman egyenesítse ki. A medence közepétől kezdje és az óramutató járásával megegyezően haladjon a medence széle felé.

Häll 1" till 2" vatten i poolen för att täcka golvet. Då poolgolvet är något täckt, ska du släta ut alla veck. Börja i mitten av poolen och arbeta dig medsols utåt.

FAST SET™ POOLS

OWNER'S MANUAL



WARNING

Carefully read, understand, and follow all information in this user manual before installing and using the swimming pool. These warnings, instructions, and safety guidelines address some common risks of water recreation, but they cannot cover all risks and dangers in all cases. Always use caution, common sense, and good judgment when enjoying any water activity. Retain this information for future use.

Non Swimmers safety

- Continuous, active, and vigilant supervision of weak swimmers and non-swimmers by a competent adult is required at all times (remembering that children under five are at the highest risk of drowning).
- Designate a competent adult to supervise the pool each time it is being used.
- Weak swimmers or non-swimmers should wear personal protection equipment when using the pool.
- When the pool is not in use, or unsupervised, remove all toys from the swimming pool and its surrounding to avoid attracting children to the pool.

Safety devices

- In order to prevent children from drowning, it is recommended to secure the access to the pool with a protection device. In order to prevent children climbing from the inlet and outlet valve, it is recommended to install a barrier (and secure all doors and windows, where applicable) to prevent unauthorized access to the swimming pool.
- Barriers, pool covers, pool alarms, or similar safety devices are helpful aids, but they are not substitutes for continuous and competent adult supervision.

Safety equipment

- It is recommended to keep rescue equipment (e.g. a ring buoy) by the pool.
- Keep a working phone and a list of emergency phone numbers near the pool.

Safe use of the pool

- Encourage all users especially children to learn how to swim
- Learn Basic Life Support (Cardiopulmonary Resuscitation - CPR) and refresh this knowledge regularly. This can make a life-saving difference in the event of an emergency.
- Instruct all pool users, including children, what to do in case of an emergency.
- Never dive into any shallow body of water. This can lead to serious injury or death.
- Do not use the swimming pool when using alcohol or medication that may impair your ability to safely use the pool.
- When pool covers are used, remove them completely from the water surface before entering the pool.
- Protect pool occupants from water related illnesses by keeping the pool water treated and practicing good hygiene. Consult the water treatment guidelines in the user's manual.
- Store chemicals (e.g. water treatment, cleaning or disinfection products) out of the reach of children.
- Use the signage as outlined below. Signage is to be displayed in a prominent position within 2m of the pool.

Product Description

Item No.	Dimension	Kit Type	Accessories
#57265	2.44m x 66cm (8' x 26")	Aboveground swimming pool kit	/
#57267	2.44m x 66cm (8' x 26")	Aboveground swimming pool kit	<input checked="" type="checkbox"/> Filtration System
#57268	2.44m x 66cm (8' x 26")	Aboveground swimming pool kit	<input checked="" type="checkbox"/> Filtration System
#57271	2.74m x 76cm (9' x 30")	Aboveground swimming pool kit	/
#57272	2.74m x 76cm (9' x 30")	Aboveground swimming pool kit	<input checked="" type="checkbox"/> Filtration System
#57266	3.05m x 76cm (10' x 30")	Aboveground swimming pool kit	/
#57269	3.05m x 76cm (10' x 30")	Aboveground swimming pool kit	<input checked="" type="checkbox"/> Filtration System
#57270	3.05m x 76cm (10' x 30")	Aboveground swimming pool kit	<input checked="" type="checkbox"/> Filtration System
#57273	3.66m x 76cm (12' x 30")	Aboveground swimming pool kit	/
#57274	3.66m x 76cm (12' x 30")	Aboveground swimming pool kit	<input checked="" type="checkbox"/> Filtration System
#57275	3.66m x 76cm (12' x 30")	Aboveground swimming pool kit	<input checked="" type="checkbox"/> Filtration System
#57319	3.96m x 84cm (13' x 33")	Aboveground swimming pool kit	/
#57321	3.96m x 84cm (13' x 33")	Aboveground swimming pool kit	<input checked="" type="checkbox"/> Filtration System
#57323	3.96m x 84cm (13' x 33")	Aboveground swimming pool kit	<input checked="" type="checkbox"/> Filtration System
#57276	3.66m x 91cm (12' x 36")	Aboveground swimming pool kit	<input checked="" type="checkbox"/> Filtration System
#57263	3.66m x 91cm (12' x 36")	Aboveground swimming pool kit	<input checked="" type="checkbox"/> Filtration System
#57277	3.66m x 91cm (12' x 36")	Aboveground swimming pool kit	<input checked="" type="checkbox"/> Filtration System <input checked="" type="checkbox"/> Ladder
#57313	4.57m x 84cm (15' x 33")	Aboveground swimming pool kit	<input checked="" type="checkbox"/> Filtration System
#57315	4.57m x 84cm (15' x 33")	Aboveground swimming pool kit	<input checked="" type="checkbox"/> Filtration System
#57316	4.57m x 84cm (15' x 33")	Aboveground swimming pool kit	<input checked="" type="checkbox"/> Filtration System <input checked="" type="checkbox"/> Ladder <input checked="" type="checkbox"/> Pool Cover <input checked="" type="checkbox"/> Ground Cloth
#57318	4.57m x 84cm (15' x 33")	Aboveground swimming pool kit	<input checked="" type="checkbox"/> Filtration System <input checked="" type="checkbox"/> Ladder <input checked="" type="checkbox"/> Pool Cover <input checked="" type="checkbox"/> Ground Cloth
#57294	4.57m x 1.07m (15' x 42")	Aboveground swimming pool kit	<input checked="" type="checkbox"/> Filtration System <input checked="" type="checkbox"/> Ladder <input checked="" type="checkbox"/> Pool Cover <input checked="" type="checkbox"/> Ground Cloth
#57286	4.57m x 1.07m (15' x 42")	Aboveground swimming pool kit	<input checked="" type="checkbox"/> Filtration System <input checked="" type="checkbox"/> Ladder <input checked="" type="checkbox"/> Pool Cover <input checked="" type="checkbox"/> Ground Cloth
#57289	4.57m x 1.22m (15' x 48")	Aboveground swimming pool kit	<input checked="" type="checkbox"/> Filtration System <input checked="" type="checkbox"/> Ladder <input checked="" type="checkbox"/> Pool Cover <input checked="" type="checkbox"/> Ground Cloth

Installation usually takes approximately 10 minutes with 2-3 people excluding earthworks and filling.




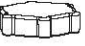
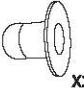


Keep children under supervision in the aquatic environment. No diving.

- Removable ladders shall be placed on a horizontal surface.
- Irrespective of materials used for swimming pool construction, accessible surfaces have to be checked regularly to avoid injuries.
- Regularly monitor bolts and screws. Remove splinters or any sharp edges to avoid injuries.
- **ATTENTION:** Do not leave the drained pool outside. The empty pool is liable to become deformed and/or displaced due to wind.
- If you have a filter pump, refer to the pump's manual for instructions.
- **WARNING!** The pump cannot be used while people are inside the pool
- If you have a ladder, refer to the ladder's manual for instructions.
- **WARNING!** The use of a swimming pool implies compliance with the safety instructions described in the operating and maintenance guide. In order to prevent drowning or other serious injuries, pay particular attention to the possibility of unexpected access to the swimming pool by children under 5 years by securing the access to it, and, during the bathing period, keep them under constant adult supervision.

Please read carefully and keep for future reference

Below parts are for all sizes of pool.

#01	#02	#03	#04	#05
				
X1	X2	X1	X1	X2
Liner	Underwater adhesive repair patch	Hose Adaptor	Drain Valve Cap	Stopper
Please refer to below table	#F1B417	#P8D1419 (blue) #P6A1419 (white)	#P8D1158 (blue) #P6A1158 (white)	#P8D1418(blue) #P6A1418(white)

NOTE: Some parts already have been installed on the pool.

NO.	Name	QTY	Part NO.	Remark	
01	Liner	1	57289ASS17	#57289	4.57m x 1.22m (15'x48")
			57294ASS17	#57294	4.57m x 1.07m (15'x42")
			57294ASS17	#57286	4.57m x 1.07m (15'x42")
			57313ASS17	#57318	4.57m x 84cm (15'x33")
			57313ASS17	#57316	4.57m x 84cm (15'x33")
			57313ASS17	#57315	4.57m x 84cm (15'x33")
			57313ASS17	#57313	4.57m x 84cm (15'x33")
			57277ASS17	#57277	3.66m x 91cm (12'x36")
			57277ASS17	#57263	3.66m x 91cm (12'x36")
			57277ASS17	#57278	3.66m x 91cm (12'x36")
			57319ASS17	#57323	3.96m x 84cm (13'x33")
			57319ASS17	#57321	3.96m x 84cm (13'x33")
			57319ASS17	#57319	3.96m x 84cm (13'x33")
			57273ASS17	#57275	3.66m x 76cm (12'x30")
			57273ASS17	#57274	3.66m x 76cm (12'x30")
			57273ASS17	#57273	3.66m x 76cm (12'x30")
			57266ASS17	#57270	3.05m x 76cm (10'x30")
			57266ASS17	#57269	3.05m x 76cm (10'x30")
			57266ASS17	#57266	3.05m x 76cm (10'x30")
			57271ASS17	#57272	2.74m x 76cm (9'x30")
57271ASS17	#57271	2.74m x 76cm (9'x30")			
57265ASS17	#57268	2.44m x 66cm (8'x26")			
57265ASS17	#57267	2.44m x 66cm (8'x26")			
57265ASS17	#57265	2.44m x 66cm (8'x26")			

CHOOSE THE CORRECT LOCATION

NOTE: The pool must be set up on a completely flat and level surface. Please do not install the pool if the surface is inclined or sloped.

Correct conditions to set up the pool:

- The selected location has to be capable of uniformly supporting the weight for the entire time the pool is installed, moreover the location must be flat and must be cleared of all objects and debris including stones and twigs.
- We recommend positioning the pool away from any objects children could use to climb into the pool.

NOTE: Position the pool near an adequate drainage system to deal with overflow or to discharge the pool.

Incorrect conditions to set up the pool:

- On uneven ground the pool may collapse causing serious personal injury and/or damage to personal property and will void the warranty and prevent any service claims.
- Sand should not be used to create a level base; the ground must be dug out if necessary.
- Directly under overhead power lines or trees. Be sure the location does not contain underground utility pipes, lines or cables of any kind.
- Do not set up the pool on driveways, decks, platforms, gravel or asphalt surfaces. The selected location should be firm enough to withstand the pressure of the water; Mud, sand, soft / loose soil or tar are not suitable.
- Grass or other vegetation under the pool will die and may cause odors and slime to develop, therefore we recommend removing all grass from the selected pool location.
- Avoid areas prone to aggressive plant and weed species that may grow through the ground cloth or liner.

NOTE: Check with your local city council for by-laws relating to fencing, barriers, lighting and safety requirements and ensure you comply with all laws.

NOTE: If have a filter pump, refer to the pump's manual for instructions.

NOTE: The ladder must match the pool size and should be used only for entering and exiting the pool. It is forbidden to exceed the permitted payload of the ladder. Check regularly if the ladder is properly assembled.

Installation

Bestway Inflatables will not be responsible for damage caused to the pool due to mishandling or failure to follow these instructions.

ATTENTION: Do not use a high pressure air hose or over-inflate the top ring, it should be slightly stiff to the touch.

NOTE: Do not use extension power cords to power your pump.

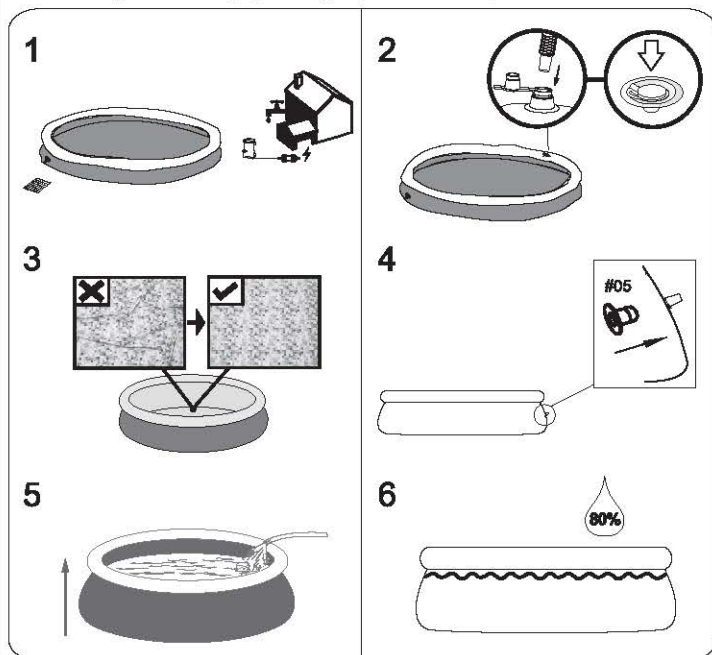
ATTENTION: Do not drag the pool on the ground, this can damage the pool.

NOTE: The base or bottom of the pool should be laid out properly (flat without wrinkles).

NOTE: Hot temperatures cause air to expand the ring and may cause damage. Leave some room for expansion.

Please see FAQ's for additional information.

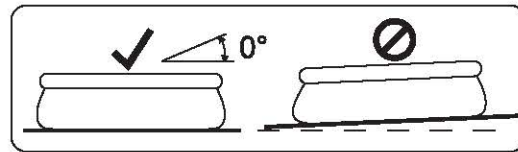
NOTE: Drawings for illustration purposes only. May not reflect actual product. Not to scale.



ATTENTION: Do not leave pool unattended while filling with water.

Pool walls will rise as you fill with water.

- Fill pool until water capacity is 80%, DO NOT OVERFILL as this could cause the pool to collapse. In times of heavy rainfall you may need to empty some of the water to ensure the level is correct.
- When filling the pool is completed, check that the water is not collecting on any side to ensure the pool is level.



IMPORTANT: If pool is not level, drain water and re-level ground by digging out. Never attempt to move the pool with water in it, serious personal injury or damage to the pool may result.

WARNING: Your pool may contain a great deal of pressure. If your pool has any bulge or uneven side, then the pool is not level, the sides may burst and the water may discharge suddenly causing serious personal injury and/or damage to property.

POOL MAINTENANCE

Warning: If you do not adhere to the maintenance guidelines covered herein, your health might be at risk, especially that of children. Pool water treatment is essential for the safety of the users. Using chemicals inappropriately will cause property damage and personal injury.

NOTE: The pump is used to circulate the water and to filter small particles. In order to keep your pool water clean and hygienic, you must also add chemicals.

- It is recommended not to fill the pool with catchment water, drilling water, or drainage well water: these waters generally contain polluted organic substances including nitrates and phosphates. Filling pools with water from the public network is advised.
- Always keep your pool clean and apply the correct pool chemicals. Unsanitary water is a serious health hazard. It is recommended to use disinfectant, flocculant, acid or alkali chemicals to treat your pool.
- Clean the PVC liner regularly with non-abrasive brushes or a pool vacuum cleaner.
- Throughout the season, the water filtration system must run long enough each day to clean the entire volume of water in the pool.
- Check the filter cartridge (or sand in a sand filter) regularly and replace dirty cartridges (or sand).
- Regularly check the screws, bolts and all the metal parts for rust. Replace if necessary.
- If it rains, check that the water level is not higher than the specified level. If water exceeds the specified levels, drain the pool to the specified level.
- Do not use the pump when the pool is in use.
- Cover the pool when not in use.
- For pool water treatment, the pH value is very important.

ATTENTION: Do not leave the drained pool outside.

The following parameters ensure good quality water

Parameters	Values
Water clarity	clear view of the pool bottom
Colour of the water	no colour should be observed
Turbidity in FNU/NTU	max. 1,5 (preferably less than 0,5)
Nitrate concentration above that of fill water in mg/l	max. 20
Total organic carbon (TOC) in mg/l	max. 4,0
Redox potential against Ag/AgCl 3,5 m KCl in mV	min. 650
pH value	6,8 to 7,6
Free active chlorine (without cyanuric acid) in mg/l	0,3 to 1,5
Free chlorine used in combination with cyanuric acid in mg/l	1,0 to 3,0
Cyanuric acid in mg/l	max. 100
Combined chlorine in mg/l	max. 0,5 (preferably close to 0,0 mg/l)

Repair

Check pool for any leaks from valves or seams, check the ground cloth for any evident water loss. Do not add chemicals until this has been done.

NOTE: In the event of a leak, patch your pool using the underwater adhesive repair patch provided. Refer to the FAQs for further information.

Dismantling

- Unscrew the drain valve cap counter-clockwise and remove.
- Connect the adaptor to the hose and put the other end of the hose in the area where you are going to drain your pool. (Check local regulations for drainage by-laws).
- Screw the control ring of the hose adaptor clockwise onto the drain valve. The drain valve will be open and water will start to drain automatically. Open the drain valve to the maximum position.
- Deflate the top ring by squeezing the air valve.
- When the top ring is fully deflated, press the top ring down, and tilt it to drain the pool easily. Completely drain the water in the pool.
- When draining is finished, unscrew the control ring to close the valve.
- Disconnect the hose.
- Screw the cap back onto the drain valve.
- Air dry pool.

Storage and Winterization

- Please remove all the accessories and spare parts of the pool and store them clean and dry.
- Once pool is completely dry, sprinkle with talcum powder to prevent pool from sticking together, fold pool carefully. If pool is not completely dry, mold may result and will damage the pool liner.
- Store liner and accessories in a dry place with a moderate temperature between 5°C / 41°F and 38°C / 100°F.
- During the rainy season, pool and accessories should be stored as per above instructions also.
- Improper draining of the pool might cause serious personal injury and/or damage to personal property.
- We strongly recommend the pool is disassembled during the off season (winter months). Store in a dry location out of children's reach.

Frequently Asked Questions

1. What is a suitable base for the Fast Set pool?

Almost any completely flat, solid, level surface can be used. Do not use sand as a leveling material as it is prone to shifting under the pool. The ground should be dug out until it is perfectly level. Do not set up on driveways, decks, platforms, gravel or asphalt. The ground should be firm enough to withstand the weight and pressure of the water: mud, sand, soft / loose soil or tar are not suitable. A concrete base can be used but care should be taken not to drag the pool across the surface as abrasions could tear the liner. If the pool is to be set up on a lawn, it is recommended that the grass is removed from where the pool will sit as it will die and may cause odors / slime. Certain types of hardy grass can grow through the liner as can aggressive bushes / plants by the side of the pool. Ensure adjacent vegetation is cut back where necessary. Use of a ground cloth assists in protecting the base of the pool.

2. How will I know if my pool is set up on unlevelled ground?

If your pool appears to be bulging on one side it is not set up on level ground. It is important that you empty your pool and move the pool to a level site. If the pool is not on level ground it will place undue stress on the seams and could result in the seams bursting which will cause flooding, property damage and potentially personal injury or death.

Fill your pool following the instructions in the owner's manual carefully. This will ensure that you do not waste water and the pool can be moved easily so that the ground can be leveled at an appropriate time and not after you have completely filled it with water.

3. How much pressure is recommended to use during inflation of the ring of my Fast Set pool?

We recommend the use of a Bestway inflation Pump (not included) or other low-pressure pump when attempting to inflate the top ring. The top ring is filled to capacity when it becomes round in shape and is firm to the touch. Pay attention to major air temperature variation. An over-inflated ring heated by the sun may burst or could lead to leaks in the seam; if the ring feels too firm, let some of the air out. In cold ambient temperature the top ring will lose some pressure, it may appear as though the ring is deflating due to a leak, DO NOT add air since the air inside will expand again once the temperature rises. **Note:** Every use of air compressor or high pressure pump for the inflation of the ring is forbidden. Bestway inflatables will not be responsible for bursting of the ring due to the use of air compressor.

4. Can I have my pool filled by a water service?

We recommend using a garden hose under low pressure for filling your pool. If it is necessary to use a water delivery service, it is best to fill the pool with one inch of water by hose and smooth wrinkles first. Use a water service that is able to regulate the flow of water to prevent damage. Ensure you stop at each step as noted in the instruction manual to ensure your pool is level. Bestway will not be held responsible for pools damaged or weakened by water delivery services.

5. What is the maximum fill height of the pool?

Fill pool until water capacity is 80% up to the bottom of the inflated ring of the pool. Never attempt to fill your pool beyond the base of the ring. We recommend leaving extra room to account for water displacement when occupants are inside the pool. You may have to top up the water during the season which has been lost through evaporation or normal use.

6. My pool is leaking, what do I do to fix it?

The pool does not need to be emptied to fix any holes. Self-adhesive underwater repair patches can be purchased at your local pool / hardware store. For external use, use the repair patch provided. For internal holes, clean the hole on the inside of the pool to wipe off any oils and algae. Cut a circle large enough to cover the hole and apply the patch securely onto the side in the water. Cut a second patch and apply to the outside of the pool for extra strength. If the hole is in the base of the pool use one patch only and weigh it down with a heavy object while it bonds. For a hole in the top ring, inflate the ring to locate the hole, mark the hole so you can see it easily and apply the patch pressing down firmly. Once it is applied, deflate the ring slightly to take some of the pressure off the patch. If the ring is completely deflated and the pool is empty put a heavy weight onto the patch to assist in bonding. If you have patched the pool when it is empty we recommend you leave it at least 12 hours before filling.

7. Where can I buy filter cartridges and how often should I change them?

Filter cartridges to fit your filter pump should be available from the store where you purchased your pool. If not, most mass retailers sell filter cartridges as an accessory. If you are unable to obtain replacements, please call our toll-free number and we will assist you in finding a source local to you. The cartridges should be changed every 2 weeks dependent upon use of the pool. Check the filter on a weekly basis and clean by hosing down any debris and particles. **Note:** Ensure your pump is disconnected from the electrical supply before checking the filter cartridge. You can also visit our website www.bestwaycorp.com for cartridge purchase.

8. How many times a year should I change the water?

This is dependant on the amount of use the pool receives, and the attention paid to covering the pool and keeping chemicals properly balanced. If maintained correctly, the water should last a full summer season. Please contact your local pool chemical supplier for detailed information regarding chemicals, they will be able to advise you how to best maintain the cleanliness of your water.

9. Do I need to take my pool down for the winter?

Yes, Above-ground pools may collapse under the weight of ice and snow and the PVC walls will be damaged. We recommend taking the pool down when temperatures fall below 8°C / 45°F. The pool should be stored indoors in a moderate temperature between 5°C / 41°F and 38°C / 100°F. Please store away from chemicals and rodents and out of the reach of children.

10. My pool is fading – why is that?

Excessive use of chemicals can cause the color of the inside of the liner to fade; this is similar to a swimsuit fading over time from repeated contact with chlorinated water.

11. How many years will the pool last?

There is no set time limit for the pool to last; following the instructions in the owner's manual and with proper care, maintenance and storage you can considerably increase the life of your pool. Improper set-up, use or care can result in failure of the pool.

12. Do you recommend the use of a filter pump with a Bestway Fast Set pool?

Absolutely! We strongly recommend you use a filter pump which will maintain the cleanliness of the water.

13. Which are the most important functions of my filter pump?

The most important function of a filter pump is the elimination of every sort of impurity from the water with the aid of a filter cartridge and chemical products for its sterilization.

14. The top ring is sitting on the inside of the pool wall when the pool is filled with water-why?

The top ring should always be on top of the pool wall. Do not press down on the top ring when filling the pool.

Limited BESTWAY® Manufacturer's Warranty

The product you have purchased comes with a limited warranty. Bestway® stands behind our quality guarantee and assures, through a replacement warranty, your product will be free from manufacturer's defects.

The following provision is only valid within the European member state countries. The legal regulation of Directive 1999/44/EC will not be effected by this BESTWAY limited warranty.

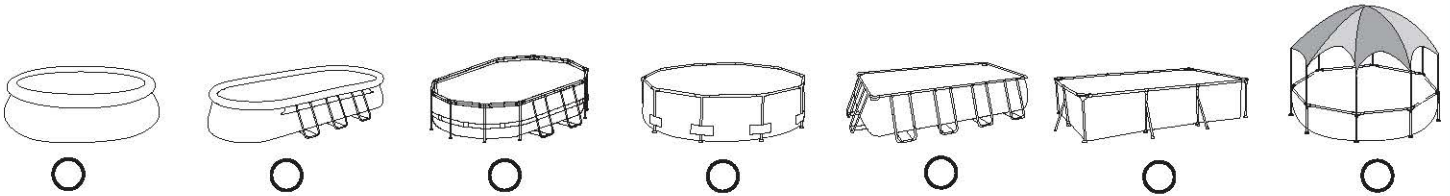
To enact a warranty claim, this form must be completed and submitted with a copy of your receipt/purchase to your local Bestway After Sales Center. Before any claims can be accepted, the Bestway After Sales Center may ask you to send a piece of the defective part to the center (e.g. a cut out of the production batch number / drain valve). Please contact your local Bestway After Sales Center before sending any documents. They will provide full instructions of what is needed for your claim.

Bestway® is not responsible for economic loss due to water or chemical costs. Bestway® will not replace any products deemed to have been damaged due to negligence or having been used outside of the owner's manual guidelines.

Bestway's warranty covers manufacturing defects discovered while unpacking the product or during use, within the limits of use and respectful of warnings and instructions given within the user's manual. This warranty applies only to products which have not been modified by any 3rd parties. The product must be stored and handled in accordance with the technical recommendations.

The Limited Warranty is valid for the period indicated above. The warranty start date is the date of sale shown on the original receipt/purchase invoice.

Please choose the type of your pool:



Date of purchase: _____ Customer Code Number: _____

TO: Bestway® Service Department Date: _____

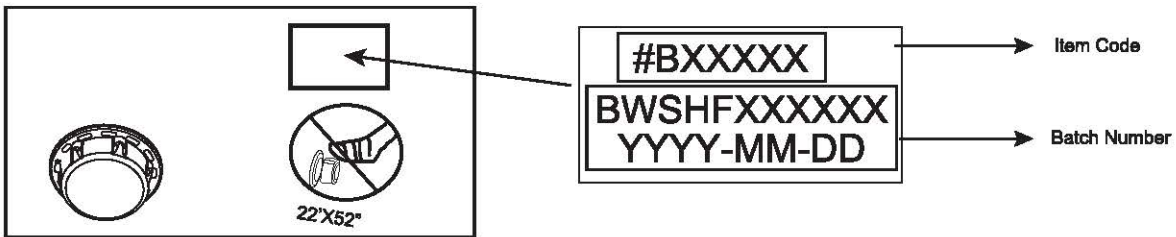
FAX/E-MAIL/TEL: Please refer to your country according to the information found on the back cover or on our website: www.bestwaycorp.com. Please provide your address details in full. Note: Incomplete address details will result in delayed shipments. Bestway reserves the right to charge for redelivery of undelivered packages where the recipient is at fault.

REQUIRED INFORMATION - PLEASE WRITE THE SHIPPING ADDRESS

Name: _____ Address: _____
 Zip Code: _____ Retailer: _____
 Country: _____ City: _____
 Mobile: _____ Telephone: _____
 Fax: _____ E-mail: _____

Please write the Batch Number and Item Code located near the drain valve

Batch Number: _____ Item Code: _____



Problem description

- Item is torn / Leaking
 Faulty welding
 Faulty upper ring
 Faulty drain valve
 Other (Please describe)
 Missing part (Please use the code for the missing part. This can be found in the owner's manual.)

IMPORTANT: ONLY THE DAMAGED PART WILL BE REPLACED, NOT THE COMPLETE SET.

Bestway reserves the right to request photographic evidence of defective parts, or to require sending the item for additional testing. In order to best assist you, we request all information you provide to be complete.

FOR FAQ, MANUALS, VIDEOS OR SPARE PARTS, PLEASE VISIT OUR WEBSITE: www.bestwaycorp.com
 VIDEOS ARE ALSO AVAILABLE ON OUR BESTWAY CHANNEL ON YOU TUBE: www.youtube.com/user/BestwayService



PISCINAS FAST SET™ MANUAL DO PROPRIETÁRIO

Visite o canal da Bestway no YouTube 



ATENÇÃO

Leia atentamente, compreenda e siga todas as instruções contidas neste manual de utilizador antes de instalar e utilizar a piscina. Estes avisos, instruções e orientações de segurança visam alguns riscos comuns de divertimentos aquáticos, contudo não podem abranger todos os riscos e perigos em todos os casos. Sempre que desfrutar de uma actividade aquática, deve ter cuidado, senso comum e bom discernimento. Preserve esta informação para utilização futura.

Segurança dos Não-Nadadores

- É sempre necessária uma supervisão contínua, activa e vigilante dos nadadores mais vulneráveis e dos não-nadadores por um adulto competente (lembre-se que as crianças com idade inferior a cinco anos correm o risco mais elevado de afogamento).
- Nomele um adulto competente para supervisionar a piscina sempre que esteja em utilização.
- Os nadadores mais vulneráveis ou não-nadadores devem utilizar equipamento de protecção pessoal sempre que utilizarem a piscina.
- Sempre que a piscina não estiver a ser utilizada ou sem supervisão, retire todos os brinquedos da piscina e dos seus arredores para evitar atrair crianças até à piscina.

Dispositivos de segurança

- De modo a prevenir que as crianças se afoguem, recomenda-se que proteja o acesso à piscina com um dispositivo de protecção. De modo a prevenir que as crianças subam pelas válvulas de entrada e saída, recomenda-se que instale uma barreira (e proteja todas as portas e janelas, sempre que aplicável) para prevenir o acesso não autorizado à piscina.
- Barreiras, coberturas de piscina, alarmes de piscina ou dispositivos de segurança semelhantes são auxiliares muito úteis, embora não substituam a supervisão contínua e competente por um adulto.

Equipamento de segurança

- Recomenda-se que mantenha equipamento de resgate (ex., uma bóia em anel) nas proximidades da piscina.
- Mantenha um telefone funcional e uma lista de telefones de emergência nas proximidades da piscina.

Utilização segura da piscina

- Encoraje todos os utilizadores, em especial as crianças, a aprender a nadar.
- Aprenda medidas de Suporte Básico de Vida (Resuscitação Cardiopulmonar - RCP) e renove este conhecimento regularmente. Isto pode ajudar a salvar vidas em caso de emergência.
- Instrua todos os utilizadores da piscina, incluindo as crianças, acerca do que devem fazer em caso de emergência.
- Nunca mergulhe em corpos de água pouco profundos. Isto pode causar ferimentos graves ou morte.
- Não utilize a piscina quando ingerir álcool ou medicamentos que possam afectar a sua capacidade para desfrutar dela em segurança.
- Caso tenha uma cobertura de piscina, retire-a completamente da superfície da água antes de entrar na piscina.
- Proteja os ocupantes da piscina de doenças relacionadas com a água, mantendo a água da piscina tratada e praticando uma boa higiene. Consulte as orientações de tratamento da água contidas no manual de utilizador.
- Armazene os químicos (ex., produtos de tratamento, limpeza e desinfecção da água) fora do alcance das crianças.
- Utilize a sinalização conforme indicado abaixo. A sinalização deve ser exibida numa posição proeminente a 2m da piscina.



Mantenha as crianças sob supervisão no meio aquático. Não mergulhe.

- As escadas amovíveis devem ser colocadas numa superfície horizontal.
- Independentemente dos materiais utilizados na construção da piscina, as superfícies acessíveis devem ser verificadas regularmente para evitar ferimentos.
- Monitorize regularmente os parafusos e remova lascas ou quaisquer arestas afiadas para evitar ferimentos.
- **ATENÇÃO:** Não deixe a piscina drenada no exterior. Quando vazia, a piscina fica susceptível a sofrer deformações e/ou deslocamentos devido ao vento.
- Se tiver uma bomba de filtro, consulte o manual da bomba para obter instruções.
- **ATENÇÃO!** A bomba não pode ser utilizada enquanto a piscina estiver ocupada!
- Se tiver uma escada, consulte o manual da escada para obter instruções.
- **ATENÇÃO!** A utilização de uma piscina implica o cumprimento das instruções de segurança descritas no guia de funcionamento e manutenção. Para prevenir afogamentos ou outros ferimentos graves, preste especial atenção à possibilidade das crianças com idade inferior a 5 anos acederem à piscina de forma inesperada, através da protecção do acesso à mesma, e mantendo-as sob supervisão constante de um adulto durante o período de banhos.

Por favor leia cuidadosamente e guarde para referência futura.

As partes abaixo são para todos os tamanhos de piscina.

	#02	#03	#04	#05
				
X1	X2	X1	X1	X2
Fofo	Remendo de reparação adesivo subaquático	Adaptador de Mangueira	Tampa da Válvula de Drenagem	Tampão
Por favor consulte a tabela abaixo	#F1B417	#P6D1419 (azul) #P6A1419 (branco)	#P6D1158 (azul) #P6A1158 (branco)	#P6D1418 (azul) #P6A1418 (branco)

NOTA: Algumas peças já foram instaladas na piscina.

N.º do Artigo	Dimensões	Tipo de kit	Acessórios
#57265	2.44m x 66cm (8' x 26")	Kit de piscina superior ao solo	/
#57267	2.44m x 66cm (8' x 26")	Kit de piscina superior ao solo	<input checked="" type="checkbox"/> Sistema de filtragem
#57268	2.44m x 66cm (8' x 26")	Kit de piscina superior ao solo	<input checked="" type="checkbox"/> Sistema de filtragem
#57271	2.74m x 76cm (9' x 30")	Kit de piscina superior ao solo	/
#57272	2.74m x 76cm (9' x 30")	Kit de piscina superior ao solo	<input checked="" type="checkbox"/> Sistema de filtragem
#57266	3.05m x 76cm (10' x 30")	Kit de piscina superior ao solo	/
#57269	3.05m x 76cm (10' x 30")	Kit de piscina superior ao solo	<input checked="" type="checkbox"/> Sistema de filtragem
#57270	3.05m x 76cm (10' x 30")	Kit de piscina superior ao solo	<input checked="" type="checkbox"/> Sistema de filtragem
#57273	3.66m x 76cm (12' x 30")	Kit de piscina superior ao solo	/
#57274	3.66m x 76cm (12' x 30")	Kit de piscina superior ao solo	<input checked="" type="checkbox"/> Sistema de filtragem
#57275	3.66m x 76cm (12' x 30")	Kit de piscina superior ao solo	<input checked="" type="checkbox"/> Sistema de filtragem
#57319	3.96m x 84cm (13' x 33")	Kit de piscina superior ao solo	/
#57321	3.96m x 84cm (13' x 33")	Kit de piscina superior ao solo	<input checked="" type="checkbox"/> Sistema de filtragem
#57323	3.96m x 84cm (13' x 33")	Kit de piscina superior ao solo	<input checked="" type="checkbox"/> Sistema de filtragem
#57276	3.66m x 91cm (12' x 36")	Kit de piscina superior ao solo	<input checked="" type="checkbox"/> Sistema de filtragem
#57263	3.66m x 91cm (12' x 36")	Kit de piscina superior ao solo	<input checked="" type="checkbox"/> Sistema de filtragem
#57277	3.66m x 91cm (12' x 36")	Kit de piscina superior ao solo	<input checked="" type="checkbox"/> Sistema de filtragem <input checked="" type="checkbox"/> Escada
#57313	4.57m x 84cm (15' x 33")	Kit de piscina superior ao solo	<input checked="" type="checkbox"/> Sistema de filtragem
#57315	4.57m x 84cm (15' x 33")	Kit de piscina superior ao solo	<input checked="" type="checkbox"/> Sistema de filtragem
#57316	4.57m x 84cm (15' x 33")	Kit de piscina superior ao solo	<input checked="" type="checkbox"/> Sistema de filtragem <input checked="" type="checkbox"/> Escada <input checked="" type="checkbox"/> Cobertura para a piscina <input checked="" type="checkbox"/> Tapete para o solo
#57318	4.57m x 84cm (15' x 33")	Kit de piscina superior ao solo	<input checked="" type="checkbox"/> Sistema de filtragem <input checked="" type="checkbox"/> Escada <input checked="" type="checkbox"/> Cobertura para a piscina <input checked="" type="checkbox"/> Tapete para o solo
#57294	4.57m x 1.07m (15' x 42")	Kit de piscina superior ao solo	<input checked="" type="checkbox"/> Sistema de filtragem <input checked="" type="checkbox"/> Escada <input checked="" type="checkbox"/> Cobertura para a piscina <input checked="" type="checkbox"/> Tapete para o solo
#57286	4.57m x 1.07m (15' x 42")	Kit de piscina superior ao solo	<input checked="" type="checkbox"/> Sistema de filtragem <input checked="" type="checkbox"/> Escada <input checked="" type="checkbox"/> Cobertura para a piscina <input checked="" type="checkbox"/> Tapete para o solo
#57289	4.57m x 1.22m (15' x 48")	Kit de piscina superior ao solo	<input checked="" type="checkbox"/> Sistema de filtragem <input checked="" type="checkbox"/> Escada <input checked="" type="checkbox"/> Cobertura para a piscina <input checked="" type="checkbox"/> Tapete para o solo

A instalação demora normalmente cerca de 10 minutos com 2-3 pessoas excluindo trabalhos de remoção de solos e enchimento.

N.º	Nome	QTD	N.º Peça	Comentário	
01	Forno	1	57289ASS17	#57289	4.57m x 1.22m (15'x48")
			57294ASS17	#57294	4.57m x 1.07m (15'x42")
			57294ASS17	#57286	4.57m x 1.07m (15'x42")
			57313ASS17	#57318	4.57m x 84cm (15'x33")
			57313ASS17	#57316	4.57m x 84cm (15'x33")
			57313ASS17	#57315	4.57m x 84cm (15'x33")
			57313ASS17	#57313	4.57m x 84cm (15'x33")
			57277ASS17	#57277	3.66m x 91cm (12'x36")
			57277ASS17	#57283	3.66m x 91cm (12'x36")
			57277ASS17	#57278	3.66m x 91cm (12'x36")
			57319ASS17	#57323	3.96m x 84cm (13'x33")
			57319ASS17	#57321	3.96m x 84cm (13'x33")
			57319ASS17	#57319	3.96m x 84cm (13'x33")
			57273ASS17	#57275	3.66m x 76cm (12'x30")
			57273ASS17	#57274	3.66m x 76cm (12'x30")
			57273ASS17	#57273	3.66m x 76cm (12'x30")
			57266ASS17	#57270	3.05m x 76cm (10'x30")
			57266ASS17	#57269	3.05m x 76cm (10'x30")
			57266ASS17	#57266	3.05m x 76cm (10'x30")
			57271ASS17	#57272	2.74m x 76cm (9'x30")
			57271ASS17	#57271	2.74m x 76cm (9'x30")
			57265ASS17	#57268	2.44m x 66cm (8'x26")
			57265ASS17	#57267	2.44m x 66cm (8'x26")
			57265ASS17	#57265	2.44m x 66cm (8'x26")

ESCOLHA A LOCALIZAÇÃO CORRECTA

NOTA: A piscina tem de ser montada numa superfície completamente plana e nivelada. Não instale a piscina sobre uma superfície inclinada.

Condição correcta para instalar a piscina:

- A localização seleccionada tem de ser capaz de suportar uniformemente o peso durante todo o tempo em que a piscina estiver instalada, adicionalmente a localização deve ser plana e deve estar livre de quaisquer objectos e detritos inclusive pedras e ramos.
- Recomendamos que posicione a piscina afastada de qualquer objecto que as crianças possam utilizar para trepar para a piscina.

NOTA: Posicione a piscina perto de um sistema de drenagem adequado para lidar com transbordamentos ou a descarga da piscina.

Condições incorrectas para instalar a piscina:

- Em terreno desnivelado a piscina pode colapsar causando ferimentos pessoais sérios e/ou danos a propriedade pessoal e isso irá invalidar a garantia e prevenir quaisquer reclamações de assistência.
- Não deve ser utilizada areia para criar uma base nivelada; o solo deve ser escavado caso necessário.
- Directamente por baixo de linhas de electricidade superiores ou árvores. Certifique-se que a localização não contém tubagens, linhas ou cabos de infraestruturas de qualquer tipo subterrâneos.
- Não instale a piscina em acessos de garagem, decks, plataformas, superfícies de gravilha ou asfalto. A localização seleccionada deve ser firme o suficiente para suportar a pressão da água; a lama, areia, solo suave / solto ou alcatrão não são adequados.
- A relva e outra vegetação por baixo da piscina irá morrer e pode causar o desenvolvimento de odores e lamas, assim, recomendamos que remova toda a erva da localização da piscina seleccionada.
- Evite áreas com tendência a espécies de planta e ervas daninhas agressivas que possam crescer através do tecido de cobertura de solo ou o plástico de revestimento.

NOTA: Verifique com a sua câmara municipal quanto a legislação relacionada com requisitos de vedações, barreiras, iluminação e segurança e certifique-se que respeita todas as leis.

NOTA: Caso possua uma bomba de filtro consulte o manual da bomba para obter instruções.
NOTA: A escada deve ser adequada ao tamanho da piscina e deve ser usada apenas para entrar e sair da piscina. É proibido exceder a carga permitida da escada. Verifique regularmente se a escada está montada devidamente.

Instalação

Bestway Inflatables não se responsabilizará por danos causados à piscina devidos à falta de cuidado e ao não cumprimento destas instruções.

ATENÇÃO: Não utilize uma mangueira de ar a alta pressão ou encha demasiado o anel superior, este deve estar ligeiramente rígido ao toque.

NOTA: Não utilize extensões para alimentar a sua bomba.

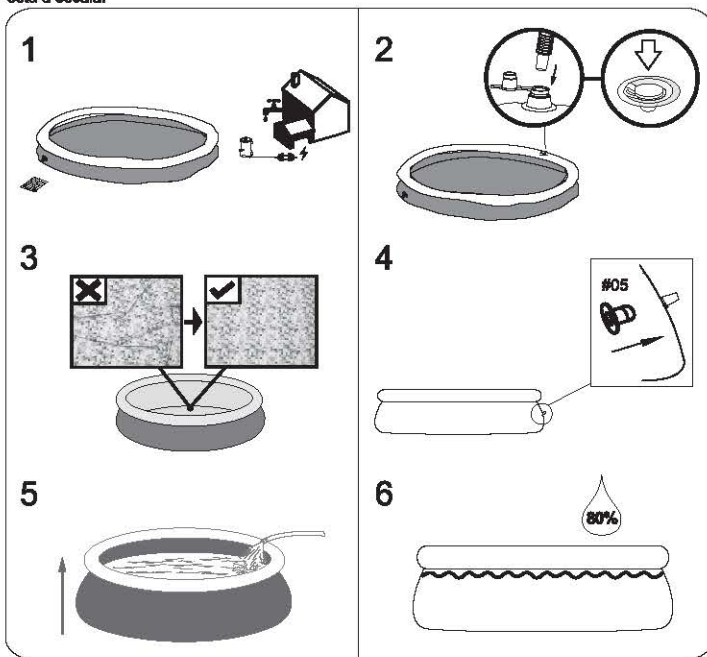
ATENÇÃO: Não arraste a piscina pelo chão, isto pode danificar a piscina.

NOTA: A base ou fundo da piscina deve ser estendido devidamente (plano sem rugas).

NOTA: As temperaturas quentes levam o ar a expandir o anel e podem causar danos. Deixe espaço para expansão.

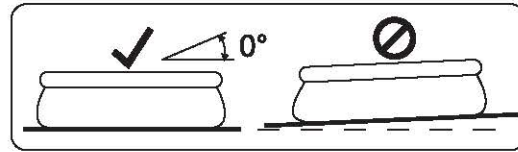
Por favor consulte as FAQ para obter informações adicionais.

NOTA: Os desenhos servem apenas para fins ilustrativos. Pode não ilustrar o produto real. Não está à escala.



ATENÇÃO: Supervisionar a piscina quando mesma estiver a ser enchida. As paredes da piscina levantar-se-ão ao encher-se de água.

- Encher a piscina até 80% da sua capacidade. NÃO ENCHER DEMASIANDO a piscina, visto que poderia desmontar-se. Em caso de chuva forte, será necessário escoar um pouco de água para manter o correcto nível.
- Quando o enchimento da piscina estiver concluído, certificar-se de que a água não se esteja a acumular em de um lado; sinal de que a piscina não foi colocada sobre superfície plana.



IMPORTANTE: Se a piscina não estiver nivelada, escoar a água e nivelar o terreno. Não tentar, de modo algum, deslocar a piscina se mesma estiver cheia, isto poderia causar sérios ferimentos e/ou danos à piscina!

ATENÇÃO: A sua piscina pode conter bastante pressão. Caso a sua piscina tenha qualquer protuberância ou lado desnívelado, então a piscina não está nivelada, os lados podem estourar e a água poderá ser descarregada subitamente causando ferimentos pessoais graves e/ou danos de propriedade.

MANUTENÇÃO DA PISCINA

Atenção: Caso não respeite as indicações de manutenção indicadas no presente, a sua saúde pode ficar em risco, especialmente a das suas crianças. O tratamento da água da piscina é essencial para a segurança dos utilizadores. A utilização inapropriada de químicos irá causar danos de propriedade e ferimentos pessoais.

NOTA: A bomba é utilizada para circular a água e para filtrar pequenas partículas. Para manter a sua piscina limpa e higiénica, deve também adicionar químicos.

- Recomenda-se que não encha a piscina com água de captação, de perfuração ou do poço: geralmente estas águas contêm substâncias orgânicas poluídas, incluindo nitratos e fosfatos. Recomenda-se que encha a piscina com água da rede pública.
- Mantenha sempre a sua piscina limpa e aplique os químicos de piscina correctos. A água insalubre é um risco grave para a saúde. Recomenda-se que utilize desinfectante, floculante, e químicos ácidos ou alcalinos para tratar a sua piscina.
- Limpe o forro de PVC regularmente com escovas não abrasivas ou um aspirador de piscina.
- Ao longo da estação, o sistema de filtração da água deve operar tempo suficiente todos os dias para limpar todo o volume de água na piscina.
- Verifique o cartucho de filtro (ou a areia no filtro de areia) regularmente e substitua os cartuchos sujos (ou a areia).
- Verifique regularmente os parafusos, pinos e todas as peças metálicas quanto à existência de ferrugem. Substitua se necessário.
- Caso chova, verifique se o nível da água não é mais alto que o nível especificado. Caso a água exceda os níveis especificados, drene a piscina até ao nível especificado.
- Não utilize a bomba quando a piscina está a ser utilizada.
- Cubra a piscina quando esta não estiver a ser utilizada.
- No tratamento da água da piscina, o valor do pH é muito importante.

ATENÇÃO: Não drene a piscina drenada no exterior.

Os parâmetros seguintes garantem uma água de boa qualidade

Parâmetros	Valores
Limpidez da água	visibilidade clara do fundo da piscina
Cor da água	a água não deve ter qualquer cor
Turbidez em FNU/NTU	máx. 1,5 (de preferência inferior a 0,5)
Concentração de nitratos acima da concentração da água de enchimento em mg/l	máx. 20
Carbono orgânico total (TOC) em mg/l	máx. 4,0
Potencial redox perante Ag/AgCl 3,5 m KCl em mV	mín. 650
Valor do pH	6,8 a 7,6
Cloro activo livre (sem ácido cianúrico) em mg/l	0,3 a 1,5
Cloro livre utilizado em combinação com ácido cianúrico em mg/l	1,0 a 3,0
Ácido cianúrico em mg/l	máx. 100
Cloro combinado em mg/l	máx. 0,5 (de preferência próximo de 0,0 mg/l)

Reparação

Verifique a piscina quanto a fugas a partir das válvulas ou juntas, verifique o pano de solo quanto a perdas de água evidentes. Não adicione químicos até isto estar realizado.

NOTA: Em caso de fuga, remende a sua piscina usando o remendo de reparação adesivo subaquático fornecido. Consulte as FAQ para obter mais informações.

Desmontagem

- Desaperte a tampa da válvula de drenagem em sentido anti-horário e remova.
- Ligue o adaptador à mangueira e coloque a outra extremidade da mangueira na área onde vai drenar a sua piscina. (Verifique os regulamentos locais quanto à legislação sobre drenagens).
- Aparafuse o anel de controlo do adaptador de mangueira em sentido horário na válvula de drenagem. A válvula de drenagem será aberta e a água começará a drenar automaticamente. Abra a válvula de drenagem na posição máxima.
- Esvazie o anel superior, apertando a válvula de ar.
- Quando o anel superior estiver totalmente esvaziado, pressione o anel superior para baixo, e incline-o para drenar a piscina com facilidade. Esvazie completamente a água da piscina.
- Quando a drenagem estiver concluída, desaparafuse o anel de controlo para fechar a válvula.
- Desligue a mangueira.
- Aparafuse a tampa de volta na válvula de drenagem.
- Seque a piscina ao ar.

Armazenamento e Protecção para o Inverno

1. Por favor remova todos os acessórios e peças sobresselentes da piscina e armazene-as limpas e secas.
2. Assim que a piscina estiver totalmente seca, polvilhe com pó de talco para evitar que a piscina cole, dobre a piscina cuidadosamente.
Caso a piscina não estiver totalmente seca, podem surgir fungos que irão danificar o forro da piscina.
3. Armazene o forro e os acessórios num local seco com uma temperatura moderada entre 5°C / 41°F e 38°C / 100°F.
4. Durante a estação das chuvas, a piscina e os acessórios também devem ser armazenados consoante as instruções acima.
5. A drenagem inadequada da piscina pode causar ferimentos pessoais graves e/ou danos a propriedade.
6. Recomendamos fortemente que a piscina seja desmontada fora da estação (meses de inverno). Armazene num local seco fora do alcance das crianças.

Perguntas frequentes

1. Qual é a base adequada para a piscina Fast Set?

A piscina pode ser montada em qualquer superfície plana, sólida e uniforme. Não usar areia para nivelar o terreno, uma vez que não garante a necessária estabilidade. O terreno tem de estar perfeitamente nivelado.

Não montar a piscina em estradas, plataformas, cascalho ou asfalto. O terreno tem de ser suficientemente firme para suportar o peso e a pressão da água: solo de barro, arenoso e esmiuçado não são apropriados. É possível usar uma base de cimento, prestando atenção para não arrastar a piscina, para evitar abrasões e de rasgar o revestimento. Se a piscina for montada sobre um prado, recomenda-se que a grama, que estiver em baixo da piscina, seja removida, pois poderia morrer, além de causar mal-cheiro e limo. Determinados tipos de gramíneas rústicas podem crescer em baixo do revestimento, como arbustos e plantas selvagens que se encontrem ao lado da piscina. Retirar, se necessário, a vegetação ao redor da piscina. Usar um tela impermeável para proteger a base da piscina.

2. Como posso saber se a minha piscina foi montada sobre uma superfície desnivelada?

Se a piscina apresentar protuberância em alguma parte, significa que não foi montada numa superfície nivelada. Esvaziá-la e transportá-la para uma superfície nivelada, evitando que as emendas sejam sobrecarregadas e estourem, causando inundações, danos materiais, ferimentos e morte.

Encher a piscina, seguindo, cuidadosamente, as instruções contidas no manual de uso. Destemido, não há desperdício de água e a piscina poderá ser facilmente deslocada, para que a superfície possa ser nivelada quando a piscina ainda não estiver cheia.

3. Quanta pressão é aconselhada para o enchimento do anel superior da Piscina Fast Set?

Recomenda-se o uso da bomba de enchimento Bestway (não incluída), ou outra bomba de baixa pressão, quando encher o anel superior inflável. O anel superior estará cheio, quando estiver arredondado e rígido ao toque. Prestar atenção à expansão de ar, de acordo com as variações de temperatura. De facto, o enchimento excessivo do anel, quando este é aquecido pelo sol, pode estourá-lo ou provocar perda de ar pelas emendas; se o anel estiver demasiado cheio, esvazie-o um pouco. Com uma temperatura ambiente fria, o anel superior perderá um pouco de pressão, dando a impressão de que se esteja a esvaziar por causa de uma fuga de ar. NÃO adicionar ar, visto que o volume de ar se expande à medida que a temperatura aumenta. Nota: É proibido o uso de compressor de ar ou de bomba de alta pressão para o enchimento do anel. Bestway infláveis não será responsável se o anel estourar devido ao uso de compressores de ar.

4. Posso encher a piscina com auto-tanque?

Recomenda-se o uso de mangueira de jardim à baixa pressão para enchimento da piscina. Se for necessário usar o auto-tanque, encher a piscina com um ou dois cm de água de mangueira, e eliminar os enrugamentos e dobras que se formaram no fundo. Usar um auto-tanque com regulação do fluxo de água, para prevenir posteriores danos. Para certificar-se de que a piscina esteja nivelada, seguir todos os passos, presentes no manual de uso. Bestway não se responsabilizará por piscinas danificadas em função do enchimento com auto-tanque.

5. Até que altura a piscina pode ser enchida?

Encher a piscina até 80% da sua capacidade, ou seja, abaixo do anel superior. Não encher, de modo algum, a piscina para além da base do anel superior. Aconselha-se deixar um espaço extra para o deslocamento da água quando houver pessoas dentro da piscina. Em função da evaporação ou do uso normal da piscina, no decorrer da estação, pode ser necessário acrescentar-lhe mais água.

6. A piscina está com vazamento, como posso resolver o problema?

Não é necessário esvaziar a piscina para tapar os furos. Para consertar as paredes internas da piscina, usar auto-adesivos resistentes à água que podem ser comprados junto às lojas de ferragens e revendedores locais de piscina. Para o uso externo, usar os auto-adesivos fornecidos por Bestway. Para furos internos, limpar as partes danificadas para eliminar resíduos de óleos e eventuais algas. Recortar um remendo em forma de círculo grande o suficiente para cobrir o furo e aplicá-lo firmemente do lado de dentro da piscina. Para uma maior segurança, recortar outro remendo e aplicá-lo do lado de fora da piscina. Se o furo for na base da piscina, usar somente um remendo, colocando em cima um peso para garantir uma perfeita adesão. Para consertar o anel superior, inflá-lo para individualizar o furo. Uma vez individualizado, marcar o furo para que seja visível e aplicar o remendo, fazendo pressão. Uma vez aplicado, esvaziar o anel levemente para diminuir a pressão no remendo. Se o anel estiver completamente esvaziado e a piscina vazia, colocar um peso em cima do remendo para facilitar-lhe a adesão, e esperar pelo menos 12 horas antes de enchê-la.

7. Onde se compram os cartuchos filtrantes e com que frequência devem ser trocados?

Os cartuchos filtrantes a serem utilizados com a bomba de filtragem estão disponíveis junto à loja onde a piscina foi comprada. Como alternativa, é possível dirigir-se a numerosos revendedores de acessórios para piscinas. Se não for possível encontrar os cartuchos, ligar para número verde de Bestway para informar-se sobre o ponto de venda mais próximo. Os cartuchos devem ser trocados a cada 2 semanas, de acordo com o uso da piscina. Controlar os filtros semanalmente e remover eventuais sujeiras e partículas, usando uma mangueira de jardim. Nota: Desligar a bomba da rede eléctrica antes de controlar o cartucho filtrante. Para maiores informações sobre cartuchos filtrantes, visitar o site www.bestwaycorp.com.

8. Quantas vezes por ano é necessário mudar a água da piscina?

Depende da frequência com que a piscina for usada, da adição de produtos químicos e se a mesma foi coberta correctamente ou não. Se a água foi mantida correctamente, é possível utilizá-la por todo o Verão. Para maiores informações e sugestões sobre como manter a água limpa, por favor, contactar o revendedor local de produtos químicos para piscinas.

9. É necessário desmontar a piscina durante o Inverno?

Sim, visto que o terreno em que a piscina foi colocada pode ceder em função do peso do gelo e da neve. Além disso, as paredes de PVC poderiam danificar-se. Bestway aconselha que a piscina seja desmontada com temperaturas inferiores a 8°C / 45°F e de conservá-la em um local fechado, a uma temperatura entre 5°C / 41°F e 38°C / 100°F, fora do alcance das crianças, de produtos químicos e do ataque de roedores.

10. O que fazer se a piscina se descolorar?

O uso excessivo de produtos químicos pode causar a descoloração do revestimento interno, exactamente como acontece com o fato de banho que esteja em contacto frequente com água clorada.

11. Quantos anos dura a piscina?

Não existe um limite de tempo para a duração da piscina; seguindo, cuidadosamente, as relativas instruções de conservação e manutenção presentes no manual de uso é possível aumentar a vida útil da piscina. Montagem, manutenção e o uso incorrectos podem danificar a piscina.

12. É necessário usar uma bomba de filtragem com uma piscina Bestway?

Absolutamente! Recomendamos fortemente que utilize uma bomba de filtro que irá manter a limpeza da água.

13. Quais são as funções mais importantes da bomba de filtragem?

A função mais importante de uma bomba de filtro é a eliminação de qualquer tipo de impureza da água com a ajuda de um cartucho de filtro e produtos químicos para a sua esterilização.

14. O anel superior fica para o lado de dentro das paredes da piscina quando ela está cheia de água – porquê?

O anel superior tem que ficar sempre no topo das paredes da piscina. Não pressione no anel enquanto enche a piscina.

Garantia Limitada do Fabricante BESTWAY®

O produto que adquiriu inclui uma garantia limitada. A Bestway® suporta a nossa garantia de qualidade e assegura, através de uma garantia de substituição, que o seu produto estará livre de defeitos de fabrico.

O fornecimento seguinte é válido apenas nos países membros da União Europeia: O regulamento legal da Directiva 1999/44/CE não será afectado por esta garantia limitada BESTWAY.

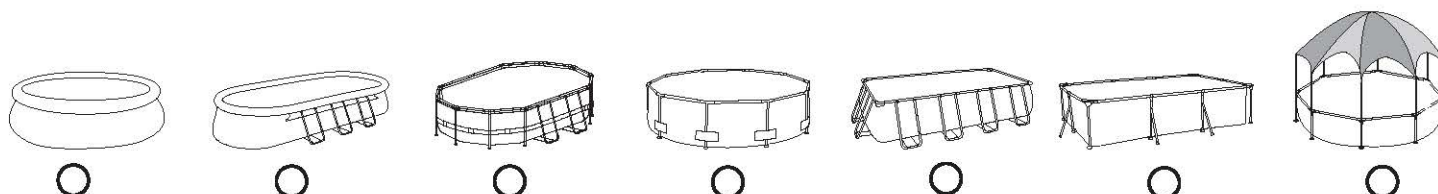
Para interpor um pedido de garantia, deve preencher este formulário, anexar uma cópia da sua factura de compra e enviá-los para o seu Centro de Pós-Vendas Bestway local. Antes de qualquer pedido de garantia possa ser aceite, o Centro de Pós-Vendas Bestway pode pedir-lhe que envie uma parte do componente defeituoso para o centro (ex. um recorte do número do lote de produção / válvula de drenagem). Por favor contacte o seu Centro de Pós-Vendas Bestway antes de enviar quaisquer documentos. Eles fornecerão instruções completas sobre o que é necessário para a sua reclamação.

A Bestway® não se responsabiliza por perdas económicas devido a custos de água ou químicos. A Bestway® não substituirá quaisquer produtos que sejam considerados negligenciados ou que tenham sido utilizados sem atenção às orientações do manual do proprietário.

A garantia Bestway abrange defeitos de fabrico detectados durante a desembalagem do produto ou durante a utilização, no âmbito dos limites de utilização respeitável dos avisos e instruções fornecidos no manual do utilizador. Esta garantia aplica-se apenas a produtos que não tenham sido modificados por terceiros. O produto deve ser armazenado e manuseado de acordo com as recomendações técnicas.

A Garantia Limitada é válida a partir do período indicado acima. A data de início da garantia corresponde à data indicada no recibo/factura de compra original.

Por favor escolha o seu tipo de piscina:



Data de Compra: _____ Código Numérico de Cliente: _____

PARA: Departamento de Serviço Bestway® Data: _____

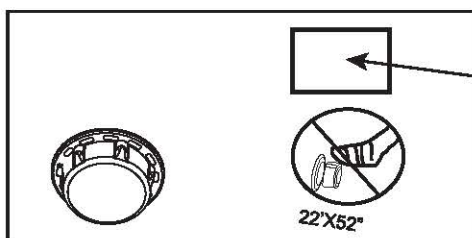
FAX/E-MAIL/TEL: Por favor indique o seu país de acordo com a informação que encontrará no verso ou na nossa página: www.bestwaycorp.com
Forneça os dados da sua morada completa. Nota: Os dados incompletos de endereço resultarão em atrasos nos envios.
A Bestway reserva-se o direito de cobrar o reenvio de embalagens não entregues por responsabilidade do destinatário.

INFORMAÇÃO NECESSÁRIA - POR FAVOR PREENCHA A SUA MORADA DE ENTREGA

Nome: _____ Endereço: _____
Código postal: _____ Retalhista: _____
País: _____ Cidade: _____
Telemóvel: _____ Telefone: _____
Fax: _____ E-mail: _____

Por favor escreva o seu Número de Lote e Código de Item localizados junto à válvula de drenagem

Número de Lote: _____ Código de Item: _____



#BXXXXXX
BWSHFXXXXXX
YYYY-MM-DD

→ Código de Item
→ Número de Lote

Descrição do problema

- Rasgões / Fugas no item Soldadura defeituosa Anel superior defeituoso Válvula de drenagem defeituosa
- Outro (por favor descreva) Peça em falta (Por favor utilize o código para a peça em falta. Este pode ser encontrado no manual do proprietário.)

IMPORTANTE: APENAS A PEÇA DANIFICADA SERÁ SUBSTITUÍDA, NÃO O CONJUNTO COMPLETO.

A Bestway reserva-se o direito de solicitar provas fotográficas das peças defeituosas, ou solicitar o envio do item para testes adicionais. De forma a poder ajudá-lo melhor, pedimos que todas as informações por si fornecidas estejam completas.

PARA TER ACESSO ÀS PERGUNTAS FREQUENTES, MANUAIS, VÍDEOS OU PEÇAS DE SUBSTITUIÇÃO,
POR FAVOR VISITE A NOSSA PÁGINA: www.bestwaycorp.com
OS VÍDEOS ESTÃO TAMBÉM DISPONÍVEIS NO NOSSO CANAL BESTWAY NO YOU TUBE: <http://youtube.com/user/BestwayService>.

Bestway®

PISCINAS FAST SET™

MANUAL DE INSTRUCCIONES

Visite el canal de YouTube de Bestway 



ADVERTENCIA

Lea atentamente, comprenda y siga toda la información contenida en este manual antes de instalar y utilizar la piscina. Estas advertencias, instrucciones y normas de seguridad abordan algunos de los riesgos más comunes relacionados con el ocio acuático, pero no cubren todos los riesgos y peligros en cualquier caso. Sea siempre prudente y utilice el sentido común y el buen juicio cuando disfrute de cualquier actividad acuática. Conserve esta información para un uso futuro.

Seguridad de los no nadadores

- Los nadadores principiantes y los no nadadores requieren de la supervisión continua, activa y atenta de un adulto competente en todo momento (recuerde que los menores de cinco años cuentan con el mayor riesgo de ahogamiento).
- Asigne a un adulto competente la tarea de supervisar la piscina cada vez que esta esté en uso.
- Los nadadores principiantes o los no nadadores deben llevar un equipo de protección personal cuando utilicen la piscina.
- Cuando no se esté utilizando la piscina, o no cuente con supervisión, retire todos los juguetes de ella y de sus alrededores para que no atraigan a los niños.

Dispositivos de seguridad

- Para prevenir el ahogamiento infantil, se recomienda asegurar el acceso a la piscina con algún dispositivo de seguridad. Para prevenir que los niños suban sobre las válvulas de entrada y de salida, se recomienda instalar una barrera (y asegurar todas las puertas y ventanas, donde sea necesario) para prevenir el acceso no autorizado a la piscina.
- Las barreras, cubiertas de piscina, alarmas de piscina o dispositivos de seguridad similares son ayudas útiles, pero no sustituyen la supervisión competente y constante de un adulto.

Equipos de seguridad

- Se recomienda tener los equipos de rescate (ej.: salvavidas) cerca de la piscina.
- Tenga un teléfono activo y una lista de números de emergencia cerca de la piscina.

Uso seguro de la piscina

- Anime a todos los usuarios, y especialmente a los niños, a aprender a nadar.
- Aprenda métodos de reanimación básica (reanimación cardiopulmonar - RCP) y repase este conocimiento regularmente. Esto puede marcar la diferencia en caso de emergencia.
- Enseñe a todos los usuarios de la piscina, niños incluidos, qué hacer en caso de emergencia.
- No se zambulla en aguas poco profundas. Esto podría causar graves daños o incluso muerte.
- No utilice la piscina cuando se encuentre bajo los efectos del alcohol o de medicamentos que puedan afectar a su capacidad de usar la piscina de manera segura.
- Cuando se utilizan las cubiertas de piscina, retírelas completamente de la superficie del agua antes de entrar en la piscina.
- Proteja a los usuarios de la piscina de enfermedades manteniendo el tratamiento del agua de la piscina y practicando buenos hábitos higiénicos. Consulte las directrices para el tratamiento del agua en el manual del usuario.
- Almacene los productos químicos (ej.: tratamientos para el agua, productos de limpieza o desinfección) fuera del alcance de los niños.
- Utilice la señalización como se especifica más abajo. La señalización se debe colocar en una posición visible y destacada dentro de un radio de 2 metros de la piscina.

Descripción del producto

Nº de producto	Dimensiones	Tipo de kit	Accesorios
#57265	2.44m x 86cm (8' x 26")	Kit de piscina elevada	/
#57267	2.44m x 86cm (8' x 26")	Kit de piscina elevada	☑ Sistema de filtrado
#57268	2.44m x 86cm (8' x 26")	Kit de piscina elevada	☑ Sistema de filtrado
#57271	2.74m x 76cm (9' x 30")	Kit de piscina elevada	/
#57272	2.74m x 76cm (9' x 30")	Kit de piscina elevada	☑ Sistema de filtrado
#57266	3.05m x 76cm (10' x 30")	Kit de piscina elevada	/
#57269	3.05m x 76cm (10' x 30")	Kit de piscina elevada	☑ Sistema de filtrado
#57270	3.05m x 76cm (10' x 30")	Kit de piscina elevada	☑ Sistema de filtrado
#57273	3.66m x 76cm (12' x 30")	Kit de piscina elevada	/
#57274	3.66m x 76cm (12' x 30")	Kit de piscina elevada	☑ Sistema de filtrado
#57275	3.66m x 76cm (12' x 30")	Kit de piscina elevada	☑ Sistema de filtrado
#57319	3.96m x 84cm (13' x 33")	Kit de piscina elevada	/
#57321	3.96m x 84cm (13' x 33")	Kit de piscina elevada	☑ Sistema de filtrado
#57323	3.96m x 84cm (13' x 33")	Kit de piscina elevada	☑ Sistema de filtrado
#57278	3.66m x 91cm (12' x 36")	Kit de piscina elevada	☑ Sistema de filtrado
#57283	3.66m x 91cm (12' x 36")	Kit de piscina elevada	☑ Sistema de filtrado
#57277	3.66m x 91cm (12' x 36")	Kit de piscina elevada	☑ Sistema de filtrado ☑ Escalera
#57313	4.57m x 84cm (15' x 33")	Kit de piscina elevada	☑ Sistema de filtrado
#57315	4.57m x 84cm (15' x 33")	Kit de piscina elevada	☑ Sistema de filtrado
#57316	4.57m x 84cm (15' x 33")	Kit de piscina elevada	☑ Sistema de filtrado ☑ Escalera ☑ Tapa de la piscina ☑ Cubierta para el suelo
#57318	4.57m x 84cm (15' x 33")	Kit de piscina elevada	☑ Sistema de filtrado ☑ Escalera ☑ Tapa de la piscina ☑ Cubierta para el suelo
#57294	4.57m x 1.07m (15' x 42")	Kit de piscina elevada	☑ Sistema de filtrado ☑ Escalera ☑ Tapa de la piscina ☑ Cubierta para el suelo
#57286	4.57m x 1.07m (15' x 42")	Kit de piscina elevada	☑ Sistema de filtrado ☑ Escalera ☑ Tapa de la piscina ☑ Cubierta para el suelo
#57289	4.57m x 1.22m (15' x 48")	Kit de piscina elevada	☑ Sistema de filtrado ☑ Escalera ☑ Tapa de la piscina ☑ Cubierta para el suelo



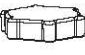

La instalación normalmente dura 10 minutos si la llevan a cabo 2-3 personas, excluyendo las excavaciones y el llenado.



- Supervise a los niños en el entorno acuático. Prohibido tirarse de cabeza.
- Las escaleras extraíbles deben colocarse sobre una superficie horizontal.
- Independientemente del material utilizado para la construcción de la piscina, las superficies accesibles deben comprobarse regularmente para evitar lesiones.
- Compruebe regularmente los tornillos y tuercas; retire las astillas o cualquier borde afilado para evitar lesiones.
- **ATENCIÓN:** No deje la piscina vacía en el exterior. La piscina vacía podría deformarse y/o desplazarse debido al viento.
- Si cuenta con una bomba de filtrado, consulte el manual de instrucciones de la bomba.
- **¡ADVERTENCIA!** La bomba no se puede poner en marcha mientras haya personas en el interior de la piscina.
- Si tiene una escalera, consulte su correspondiente manual para las instrucciones.
- **¡ADVERTENCIA!** El uso de una piscina implica el cumplimiento de las instrucciones de seguridad descritas en el manual de uso y mantenimiento. Para evitar ahogamiento y otras lesiones graves, preste una especial atención a la posibilidad de acceso inesperado a la piscina de niños de menos de 5 años, tomando las medidas de seguridad necesarias y, durante el periodo del baño, téngales bajo la vigilancia constante de un adulto.

Lea detenidamente y conserve este documento para consultas futuras.

Las partes siguientes son válidas para todos los tamaños de piscina.

	#02	#03	#04	#05
				
X1	X2	X1	X1	X2
Revestimiento	Parche de reparación adhesivo submersible	Adaptador de manguera	Tapón de la válvula de drenaje	Topo
Consulte la siguiente tabla	#F1B417	#P6D1419 (azul) #P6A1419 (blanco)	#P6D1158 (azul) #P6A1158 (blanco)	#P6D1418 (azul) #P6A1418 (blanco)

NOTA: Algunas partes ya han sido instaladas en la piscina.

Nº	Nombre	Cant.	Nº de pieza	Observación	
01	Revestimiento	1	57289ASS17	#57289	4.57m x 1.22m (15'x48")
			57294ASS17	#57294	4.57m x 1.07m (15'x42")
			57294ASS17	#57286	4.57m x 1.07m (15'x42")
			57313ASS17	#57318	4.57m x 84cm (15'x33")
			57313ASS17	#57316	4.57m x 84cm (15'x33")
			57313ASS17	#57315	4.57m x 84cm (15'x33")
			57313ASS17	#57313	4.57m x 84cm (15'x33")
			57277ASS17	#57277	3.66m x 91cm (12'x36")
			57277ASS17	#57283	3.66m x 91cm (12'x36")
			57277ASS17	#57278	3.66m x 91cm (12'x36")
			57319ASS17	#57323	3.96m x 84cm (13'x33")
			57319ASS17	#57321	3.96m x 84cm (13'x33")
			57319ASS17	#57319	3.96m x 84cm (13'x33")
			57273ASS17	#57275	3.66m x 76cm (12'x30")
			57273ASS17	#57274	3.66m x 76cm (12'x30")
			57273ASS17	#57273	3.66m x 76cm (12'x30")
			57266ASS17	#57270	3.05m x 76cm (10'x30")
			57266ASS17	#57269	3.05m x 76cm (10'x30")
			57266ASS17	#57266	3.05m x 76cm (10'x30")
			57271ASS17	#57272	2.74m x 76cm (9'x30")
57271ASS17	#57271	2.74m x 76cm (9'x30")			
57265ASS17	#57268	2.44m x 66cm (8'x26")			
57265ASS17	#57267	2.44m x 66cm (8'x26")			
57265ASS17	#57265	2.44m x 66cm (8'x26")			

ELIJA UNA UBICACIÓN ADECUADA

NOTA: La piscina debe montarse en una superficie completamente plana y nivelada. No instale la piscina si la superficie está inclinada o en pendiente.

Condiciones adecuadas para instalar la piscina:

- La ubicación seleccionada debe ser capaz de soportar de forma uniforme el peso de la piscina durante todo el tiempo que permanezca montada; asimismo, la ubicación debe tener una superficie plana y debe estar libre de objetos y residuos como piedras o ramas.
- Recomendamos colocar la piscina alejada de cualquier objeto que los niños pudieran utilizar para escalar e introducirse en ella.

NOTA: Coloque la piscina cerca de un sistema de drenaje adecuado para dar salida a los desbordamientos de agua o vaciar la piscina.

Condiciones inadecuadas para instalar la piscina:

- Sobre un suelo con desahuesos, pues la piscina podría derrumbarse provocando lesiones personales o pérdidas materiales graves; además, dejaría la garantía sin validez e impediría la presentación de reclamaciones de mantenimiento o reparación.
 - No debe utilizarse arena para crear una base nivelada; en caso necesario, habrá que realizar excavaciones en el suelo.
 - Directamente debajo de árboles o líneas de alta tensión. Asegúrese de que no pasan tuberías, líneas o cables por debajo del lugar de instalación.
 - No coloque la piscina en entradas, terrazas, plataformas, superficies de grava o asfalto. La ubicación seleccionada debería ser lo suficientemente firme para soportar la presión del agua; no alturas sobre lodo, arena, suelo blando o suelto o alquitrán.
 - El césped o la vegetación bajo de la piscina semarchitará y podría provocarnos olores o la aparición de fango. Por eso, recomendamos eliminar todo el césped de la ubicación elegida para la piscina.
 - Evite aquellas zonas donde puedan brotar plantas o malas hierbas que pudieran dañar el fondo o el revestimiento de la piscina.
- NOTA:** Consulte a las autoridades locales para conocer las normativas en materia de vallas, barreras, iluminación y seguridad y asegúrese de cumplirlas.
- NOTA:** Si cuenta con una bomba de filtrado, consulte el manual de instrucciones de la bomba.
- NOTA:** La escalera debe adaptarse al tamaño de la piscina y debe utilizarse únicamente para entrar y salir de ella.
- Queda prohibido exceder la carga máxima permitida de la escalera. Compruebe periódicamente el correcto montaje de esta última.

Instalación

Bestway Inflatables no es responsable por daños provocados en la piscina debidos a un mal manejo o a la falta de respeto de estas instrucciones.

ATENCIÓN: No utilice una manguera de aire de alta presión ni infle en exceso el anillo superior, este debe quedar ligeramente rígido al tacto.

NOTA: No use cables de prolongación para conectar la bomba a la red eléctrica.

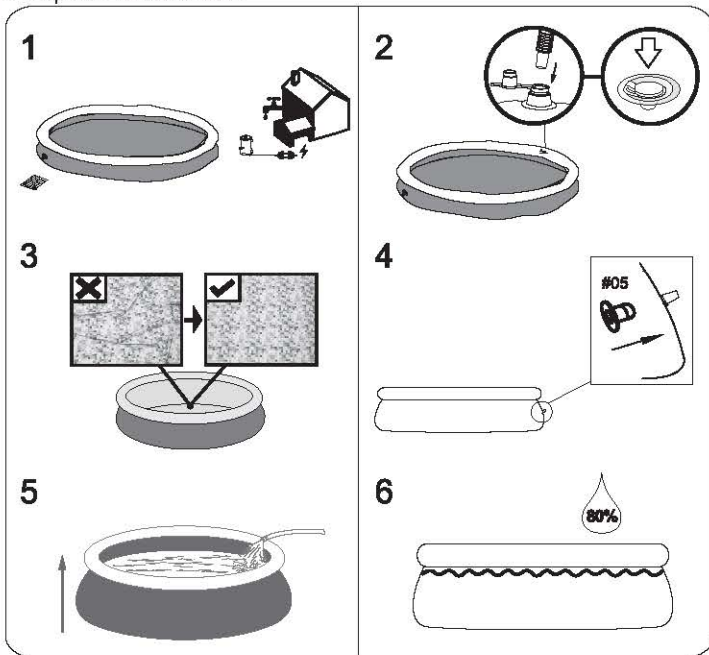
ATENCIÓN: No arrastre la piscina sobre el suelo, la piscina podría sufrir daños.

NOTA: La base o fondo de la piscina debe estar adecuadamente extendida (lisa y sin arrugas).

NOTA: Las altas temperaturas hacen que el aire dilate el anillo, lo que podría causar daños. Deje algo de espacio en previsión.

Consulte las preguntas frecuentes para obtener más información.

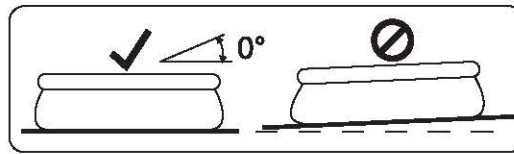
NOTA: Las ilustraciones se incluyen únicamente a título indicativo. Puede que no se correspondan con el producto real. No a escala.



ATENCIÓN: No deje la piscina sin vigilancia mientras está llenando de agua.

Las paredes de la piscina subirán a medida que se llena con agua.

- Llene la piscina hasta el 80% de la capacidad. NO LLENE DEMASIADO ya que esto puede hacer que la piscina se hunda. Si llueve bastante, podría ser necesario quitar un poco de agua de la piscina para asegurarse de que el nivel es correcto.
- Cuando la piscina se haya llenado por completo, compruebe que el agua no se acumula en ningún lado para que la piscina esté equilibrada.



IMPORTANTE: Si la piscina no está equilibrada, drene el agua y vuelva a equilibrar el suelo cavando. No intente nunca mover la piscina con agua dentro de la misma, pueden provocarse graves daños personales o daños en la piscina.

ADVERTENCIA: Su piscina puede contener una gran cantidad de presión. Si su piscina presenta alguna protuberancia o lado irregular la piscina no está equilibrada, los lados podrían explotar y el agua podría desbordarse repentinamente causando graves daños personales y/o materiales.

MANTENIMIENTO DE LA PISCINA

Atención: Si no respeta las instrucciones de mantenimiento aquí señaladas, puede poner en peligro su salud y, en especial, la de los niños. El tratamiento del agua de la piscina es fundamental para la seguridad de los usuarios. El uso inadecuado de los productos químicos causa daños materiales y lesiones físicas.

NOTA: La bomba se utiliza para hacer circular el agua y filtrar pequeñas partículas. Para mantener el agua limpia y en perfectas condiciones higiénicas, es necesario el uso de productos químicos.

- Se recomienda no llenar la piscina con agua proveniente de cuencas, pozos o drenajes: este tipo de agua generalmente contiene sustancias orgánicas contaminadas, incluyendo nitratos y fosfatos. Se aconseja llenar la piscina con agua proveniente de la red pública.
- Mantenga la piscina siempre limpia y utilice los productos químicos para piscinas que correspondan. Un agua insalubre presenta serios riesgos para la salud. Se recomienda el uso de productos químicos desinfectantes, floculantes, ácidos o alcalinos para el tratamiento de su piscina.
- Limpie el revestimiento de PVC regularmente con cepillos suaves o con un aspirador para piscinas.
- Durante la temporada de uso de la piscina, el sistema de filtración del agua debe permanecer en marcha el tiempo suficiente cada día como para mantener limpia todo el volumen de agua de la piscina.
- Compruebe el cartucho del filtro (o la arena en un filtro de arena) regularmente y reemplace los filtros sucios (o la arena).
- Compruebe con regularidad los tornillos, los pernos y todas las piezas de metal para detectar la presencia de óxido. Cámbielos si fuera necesario.
- Si llueve, compruebe que el nivel del agua no supera el nivel máximo especificado. Si el agua supera el nivel máximo especificado, drene la piscina hasta el nivel correcto.
- No utilice la bomba mientras la piscina se encuentre en uso.
- Cubra la piscina cuando no se vaya a utilizar.
- Para el tratamiento del agua de la piscina, los niveles de pH son muy importantes.

ATENCIÓN: No deje la piscina vacía en el exterior.

Los siguientes parámetros garantizan la calidad del agua

Parámetros	Valores
Claridad del agua	vista clara del fondo de la piscina
Color del agua	no debería percibirse ningún color
Turbiedad en FNU/NTU	máx. 1,5 (preferiblemente menos de 0,5)
Concentración de nitratos en el agua de llenado en mg/l	máx. 20
Carbono orgánico total (TOC) en mg/l	máx. 4,0
Potencial de reducción contra Ag/AgCl 3,5 m KCl en mV	mín. 650
Valor de pH	de 6,8 a 7,6
Cloro libre (sin ácido cianúrico) en mg/l	de 0,3 a 1,5
Cloro libre utilizado en combinación con ácido cianúrico en mg/l	de 1,0 a 3,0
Ácido cianúrico en mg/l	máx. 100
Cloro combinado en mg/l	máx. 0,5 (preferiblemente próximo a 0,0 mg/l)

Reparación

Compruebe la piscina para verificar que no haya fugas en las válvulas o las costuras, compruebe la esterilla de suelo para cualquier pérdida evidente de agua. No añada productos químicos hasta que no lo haya hecho.

NOTA: En caso de observarse una fuga de agua, repare la piscina usando el parche de reparación adhesivo sumergible incluido. Consulte las preguntas frecuentes (FAQ) para obtener más información.

Desmontaje

- Desenrosque el tapón de la válvula de drenaje girando en sentido antihorario y retírelo.
- Conecte el adaptador a la manguera y coloque el otro extremo de la manguera en la zona donde va a vaciar la piscina. (Consulte las normativas locales para conocer las disposiciones en materia de drenaje).
- Enrosque el anillo de control del adaptador de la manguera en la válvula de drenaje girando en sentido horario. La válvula de drenaje se abrirá y el agua empezará a fluir automáticamente. Abra la válvula de drenaje hasta su posición máxima.
- Desinfla el anillo superior apretando la válvula de aire.
- Cuando el anillo superior esté completamente desinflado, presiónelo hacia abajo e inclínelo para facilitar el vaciado. Vacíe completamente la piscina.
- Una vez finalizado el vaciado, desenrosque el anillo de control para cerrar la válvula.
- Desconecte la manguera.
- Enrosque el tapón nuevamente en la válvula de drenaje.
- Deje secar la piscina al aire.

Almacenamiento y preparación para el invierno

1. Retire todos los accesorios y las piezas de repuesto de la piscina, guárdelos limpios y secos.
2. Cuando la piscina esté completamente seca, espolvoree con polvo de talco para evitar que las superficies de la piscina se adhieran entre sí y dóblela con cuidado.
Si la piscina no está completamente seca, podría desarrollarse moho y dañar el revestimiento de la piscina.
3. Guarde el revestimiento y los accesorios en un lugar seco con una temperatura moderada, entre 5°C / 41°F y 38°C / 100°F.
4. Durante la estación lluviosa, la piscina y los accesorios deben almacenarse siguiendo las instrucciones anteriores.
5. Un drenaje inadecuado de la piscina podría provocar lesiones personales graves y/ o daños materiales.
6. Recomendamos encarecidamente desmontar la piscina fuera de temporada (los meses de invierno). Guárdelo en un lugar seco fuera del alcance de los niños.

Preguntas más frecuentes

1. ¿Qué base es adecuada para una piscina Fast Set?

Puede usarse casi cualquier superficie lisa, sólida y equilibrada. No use arena como material de nivelado ya que puede desplazarse debajo de la piscina. El suelo debe cavarse hasta que esté perfectamente nivelado. No monte la piscina en carreteras, cubiertas, plataformas, grava o asfalto. El suelo debe ser lo suficientemente firme para aguantar el peso y la presión del agua: el barro, la arena, los sólidos blandos o sueltos o el alquitrán no son lugares adecuados. Puede usarse una base de hormigón, pero no se puede arrastrar la piscina por la superficie ya que se podrían provocar abrasiones que rasgarían el forro. Si es necesario montar la piscina en césped, se recomienda quitar el mismo de debajo del lugar donde se situará la piscina, ya quemorirá y podría causar olores o limo. Algunos tipos de césped muy duro pueden crecer a través del forro así como algunas plantas o arbustos especialmente agresivos. Asegúrese de que la vegetación situada al lado se corta cuando es necesario. Usar una tela para el suelo ayuda a proteger la base de la piscina.

2. ¿Cómo sé si mi piscina está montada en un lugar poco equilibrado?

Si parece que hay bultos en un lado de la piscina, no está montada encima de un lugar equilibrado. Es importante vaciar la piscina y desplazarla a un lugar equilibrado. Si la piscina no está situada en un lugar equilibrado, se provocará una tensión innecesaria en las juntas, lo que podría hacer que saltasen, provocando inundaciones, daños a las propiedades y posibles daños personales o incluso la muerte.

Llene su piscina siguiendo las instrucciones incluidas en el manual de uso cuidadosamente. Esto asegurará que no pierda agua y que la piscina se puede mover fácilmente dado que el suelo se puede equilibrar en el momento adecuado y no después de haberla llenado completamente con agua.

3. ¿Qué presión se debe usar durante el hinchado del anillo de la piscina Fast Set?

Recomendamos que use una bomba de hinchado Bestway (no incluida) u otra bomba de baja presión cuando intente hinchar el anillo superior. El anillo superior se debe llenar hasta que presente una forma redonda y sea firme al tacto. Preste atención si se producen importantes variaciones de temperatura. Un anillo demasiado hinchado por el sol puede explotar o puede provocar pérdidas en la junta; si el anillo parece demasiado firme, deje salir un poco de aire. Si la temperatura ambiente es baja, el anillo superior perderá un poco de presión y puede parecer que el anillo se está deshinchando debido a una pérdida, NO añada aire ya que el aire del interior se expandirá cuando suba la temperatura. **Nota:** Se prohíbe el uso de un compresor de aire o una bomba de alta presión para el hinchado del anillo. Bestway inflables no es responsable por la explosión del anillo debida al uso del compresor de aire.

4. ¿Puedo hacer que un servicio de aguas llene mi piscina?

Recomendamos que use un manguera de jardín a poca presión para llenar su piscina. Si es necesario usar un servicio de entrega de agua, es mejor llenar la piscina con solo una pulgada de agua con manguera y alisar primero las arrugas. Use un servicio de agua que pueda regular el flujo de agua para evitar daños. Asegúrese de que para en cada uno de los pasos indicados en el manual de instrucciones para asegurarse de que la piscina está nivelada. Bestway no se hace responsable de piscinas dañadas o en malas condiciones debido al uso de servicios de entrega de agua.

5. ¿Cuál es la máxima altura de llenado de la piscina?

Llena la piscina hasta el 80% de su capacidad desde la parte inferior del anillo hinchado de la piscina. No intente nunca llenar la piscina más allá de la base del anillo. Recomendamos que deje un poco de espacio para los desplazamientos de agua que se producen cuando hay personas dentro de la piscina. Puede ser necesario llenarla durante la estación para compensar el agua evaporada o las pérdidas que se producen durante el uso.

6. Mi piscina presenta pérdida, ¿qué puedo hacer para arreglarla?

No es necesario vaciar la piscina para tapar los agujeros. Puede comprar parches de reparación auto-adhesivos que se pueden utilizar debajo del agua en su tienda local. Para un uso en el exterior, use el parche de reparación incluido. Para los agujeros interiores, limpie el agujero en la parte interior de la piscina quitando cualquier resto de aceite o algas. Corte un círculo lo suficientemente amplio para cubrir el agujero y aplique un parche de manera segura en el lado del agua. Corte un segundo parche y aplíquelo en la parte exterior de la piscina para asegurar un mayor dureza. Si el agujero está en la base de la piscina, use solo un parche y apriételo con un objeto pesadomientras se pega. Para los agujeros del anillo superior, hinche el anillo para ubicar el agujero, marque el agujero de manera que se vea fácilmente y aplique el parche apretándolo firmemente. Cuando se haya aplicado, deshinche un poco el anillo para quitar un poco de presión del parche. Si el anillo se deshincha completamente y se vacía la piscina, ponga un peso encima del parche para ayudar a que se pegue. Si ha puesto un parche en la piscina cuando está vacía, le recomendamos que espere al menos 12 horas antes de llenarla.

7. ¿Dónde puedo comprar cartuchos para el filtro y cada cuánto tiempo tengo que cambiarlos?

Los cartuchos de filtro adecuados para su bomba de filtrado tienen que estar disponibles en la tienda donde compró la piscina. Si no es así, la mayoría de los vendedores venden cartuchos para el filtro como accesorio. Si no puede encontrar las piezas de sustitución necesarias, llame a nuestro número gratuito y le ayudaremos a encontrar la tienda más cercana. Los cartuchos deben cambiarse cada 2 semanas dependiendo del uso de la piscina. Compruebe el filtro semanalmente y limpie las mangueras quitando los desechos y partículas. **Nota:** Asegúrese de que la bomba está desconectada del suministro eléctrico antes de comprobar el cartucho del filtro. También puede visitar nuestro sitio web www.bestwaycorp.com para comprar los cartuchos.

8. ¿Cuántas veces al año debo cambiar el agua?

Depende del uso que se haga de la piscina, y de la atención que se preste a cubrir la piscina y mantener los productos químicos con la dosis adecuada. Si se efectúa un mantenimiento correcto, el agua debe durar todo el verano. Póngase en contacto con su proveedor de productos químicos local para obtener más información acerca de los productos químicos, le podrán aconsejar cómo mantener limpia el agua.

9. ¿Es necesario desmontar la piscina durante el invierno?

Sí, las piscinas situadas encima del suelo pueden hundirse con el peso del hielo y la nieve y las

paredes de PVC podrían dañarse. Le recomendamos que desmonte la piscina cuando la temperatura sea inferior a 8°C / 45°F. La piscina debe guardarse en el interior a una temperatura moderada, entre 5°C / 41°F y 38°C / 100°F. Guárdela lejos de productos químicos y roedores, y fuera del alcance de los niños.

10. Mi piscina está perdiendo color - ¿a qué se debe?

Un uso excesivo de productos químicos puede hacer que se pierda el color del forro; es parecido a lo que pasa con el traje de baño, que pierde color debido al uso prolongado con el agua con cloro.

11. ¿Cuántos años durará la piscina?

No hay un límite temporal para la piscina; si se respetan las instrucciones incluidas en el manual de uso con cuidado, se efectúa el mantenimiento y se guarda cuidadosamente se puede aumentar considerablemente la vida de la piscina. Un montaje, uso o cuidado no adecuados pueden dañar gravemente la piscina.

12. ¿Se recomienda el uso de una bomba de filtrado con una piscina Bestway?

¡Sin duda! Le recomendamos encarecidamente que utilice una bomba de filtrado, lo que mantendrá la claridad del agua.

13. ¿Cuáles son las funciones más importantes de la bomba de filtrado?

La función más importante de una bomba de depuración es la eliminación de las impurezas del agua por medio de un cartucho de filtro y productos químicos para su esterilización.

14. El anillo superior se apoya en la parte interior de la pared de la piscina cuando la piscina se llena de agua - ¿Por qué?

El anillo superior siempre debe estar en la parte superior de la pared de la piscina. No apriete hacia abajo en el anillo superior cuando llene la piscina.

Garantía limitada del fabricante BESTWAY®

El producto que ha comprado viene acompañado de una garantía limitada. En Bestway® cumplimos nuestra garantía de calidad y le aseguramos, mediante una garantía de sustitución, que su producto estará libre de defectos de fabricación.

La siguiente disposición solo es válida en los estados miembros de la Unión Europea. La disposición legal de la directiva 1999/44/CE no se verá afectada por esta garantía limitada de BESTWAY.

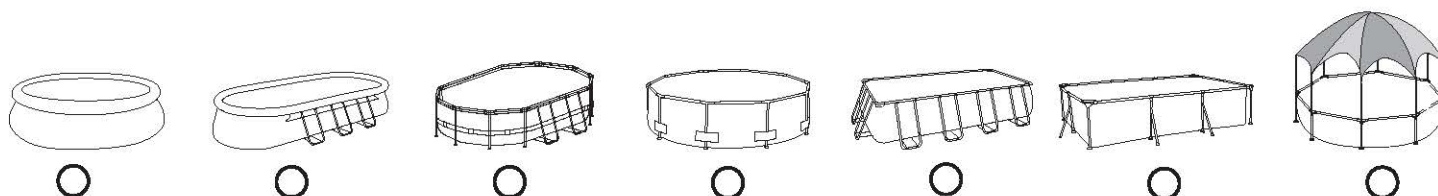
Si desea presentar una reclamación en garantía, cumplimente este impreso y envíelo a su centro de servicios posventa de Bestway local acompañado de una copia del recibo de compra. Antes de aceptar cualquier reclamación, el centro de servicios posventa de Bestway le pedirá que envíe una parte de la pieza defectuosa a dicho centro (por ejemplo, número de lote de fabricación recortado/válvula de drenaje). Póngase en contacto con su centro de servicios de posventa de Bestway antes de enviar cualquier documento; dicho centro le informará debidamente de lo necesario para tramitar su reclamación.

Bestway® no se responsabiliza por pérdidas económicas provocadas por costes químicos o de agua. Bestway® no restituirá ningún producto que pueda haber sido dañado a causa de una negligencia o que se haya utilizado incumpliendo las normas del manual del usuario.

La garantía de Bestway cubre los defectos de fabricación detectados al desembalar el producto o durante su uso, dentro de los límites de uso y siempre que se respeten las advertencias e instrucciones indicadas en el manual del usuario. Esta garantía se aplica solo a aquellos productos que no hayan sido modificados por terceros. El producto debe almacenarse y manipularse de acuerdo con las recomendaciones técnicas.

La garantía limitada será válida durante el plazo indicado anteriormente. La fecha de inicio de la garantía es la fecha de la venta que aparece en la factura o recibo de compra original.

Seleccione su tipo de piscina:



Fecha de compra: _____ Número de código de cliente: _____

PARA: Bestway® Service Department Fecha: _____

FAX/CORREO-E/TEL: Póngase en contacto con la dirección de su país que encontrará en la contraportada o en nuestra página web: www.bestwaycorp.com
Indique su dirección completa. Nota: Si los datos de la dirección no está completos, podrían producirse retrasos en los envíos.
Bestway se reserva el derecho a cobrar por el reenvío de paquetes no entregados por ausencia del destinatario.

INFORMACIÓN OBLIGATORIA - ESCRIBA LA DIRECCIÓN DE ENVÍO

Nombre: _____ Dirección: _____

Código postal: _____ Distribuidor: _____

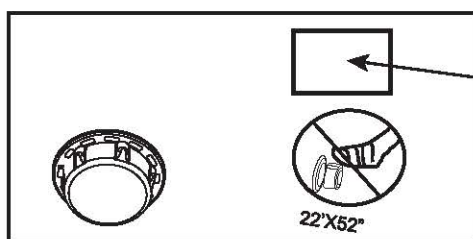
País: _____ Ciudad: _____

Móvil: _____ Teléfono: _____

Fax: _____ E-mail: _____

Escriba el número de lote y el código de artículo situado cerca de la válvula de drenaje

Número de lote: _____ Código de artículo: _____



#BXXXXX → Código de artículo
BWSHFXXXXXX
YYYY-MM-DD → Número de lote

Descripción del problema

- La pieza está rota/tiene fugas Soldadura defectuosa Anillo superior defectuoso Válvula de drenaje defectuosa
- Otros (describalos) Falta una pieza (utilice el código de la pieza que falta. Lo encontrará en el manual del usuario).

IMPORTANTE: SOLO SE SUSTITUIRÁ LA PIEZA DAÑADA, NO EL CONJUNTO COMPLETO.

Bestway se reserva el derecho a solicitar pruebas fotográficas de las piezas defectuosas, o a solicitar que se envíe la pieza para efectuar pruebas adicionales. Para poder ayudarle mejor, es importante que nos proporcione información exhaustiva.

PARA CONSULTAR FAQ, MANUALES, VÍDEOS O COMPRAR PIEZAS DE REPUESTO,
VISITE NUESTRA PÁGINA: www.bestwaycorp.com
TAMBIÉN ENCONTRARÁ VÍDEOS EN NUESTRO CANAL BESTWAY DE YOUTUBE: <http://youtube.com/user/BestwayService>.