

Isla Metal 5ft Bed

Assembly Instructions - Please keep for future reference

362/6034



Dimensions

Width - 159cm

Depth - 211cm

Height - 119cm

Important – Please read these instructions fully before starting assembly

If you need help or have damaged or missing parts, call the **Customer Helpline:**
Argos = 0345 640800



Safety and Care Advice

Important – Please read these instructions fully before starting assembly

- Check you have all the components and tools listed on the following pages.
- Remove all fittings from the plastic bags and separate them into their groups.
- Keep children and animals away from the work area, small parts could choke if swallowed.
- Make sure you have enough space to layout the parts before starting.

- During assembly do not stand or put weight on the product, this could cause damage.
- Assemble the item as close to its final position (in the same room) as possible.
- Assemble on a soft level surface to avoid damaging the unit or your floor.
- Parts of the assembly will be easier with 2 people.



- To reduce the likelihood of damaging your product please ensure that your power drill is set on a low torque setting.

Care and maintenance

- Only clean using a damp cloth and mild detergent, do not use bleach or abrasive cleaners.
- From time to time check that there are no loose screws on this unit.
- This product should not be discarded with household waste. Take to your local authority waste disposal centre.

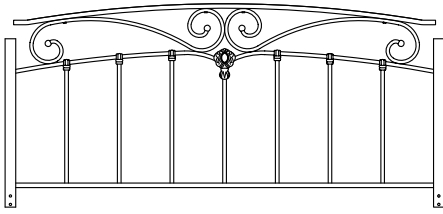
Handy Hints

- Assemble all parts and bolts loosely during assembly, only once the product is complete should you fully tighten the bolts
- Regularly check and ensure that all bolts and fittings are tightened properly.

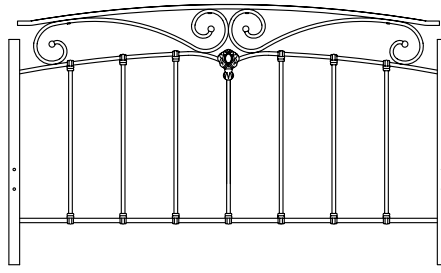
Components - Panels

If you have damaged or missing components, call the
Customer Helpline: Argos = 0345 6400800

Please check you have all the panels listed below



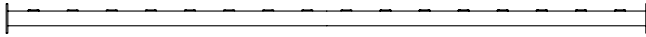
1 Headboard
(156.7 x 72.6cm)



2 Footboard
(156.7 x 93cm)



3 Headboard post x 2
(dia3.8 x 47.5cm)



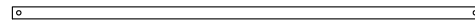
4 Side rail x 2
(202.2 x 9cm)



5 Slat x 12
(153.2 x 3.2cm)



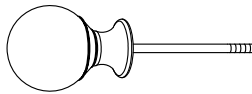
6 Slat x 4
(153.2 x 3.2cm)



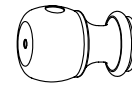
7 Center support slat x 2
(86.7 x 1.8cm)



8 Leg x 4
(dia1.8 x 30.5cm)



9 Finial x 4
(dia6 x 18cm)


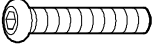
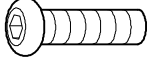








10 Finial base x 4
(dia5.9 x 8.4cm)

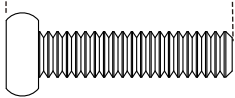
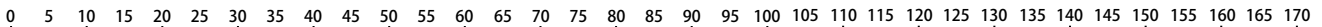
Components - Fittings

Please check you have all the fittings listed below

Note: The quantities below are the correct amount to complete the assembly. In some cases more fittings may be supplied than are required.

A  16mm Bolt x 4	B  49mm Bolt x 4	C  30mm Bolt x 8
D  Small plain washer x 4	E  Large plain washer x 8	F  Spring washer x 8
G  Plastic washer x 8	H  Small hex key x 1	I  Large hex key x 1

Ruler - Use this ruler to help correctly identify the screws

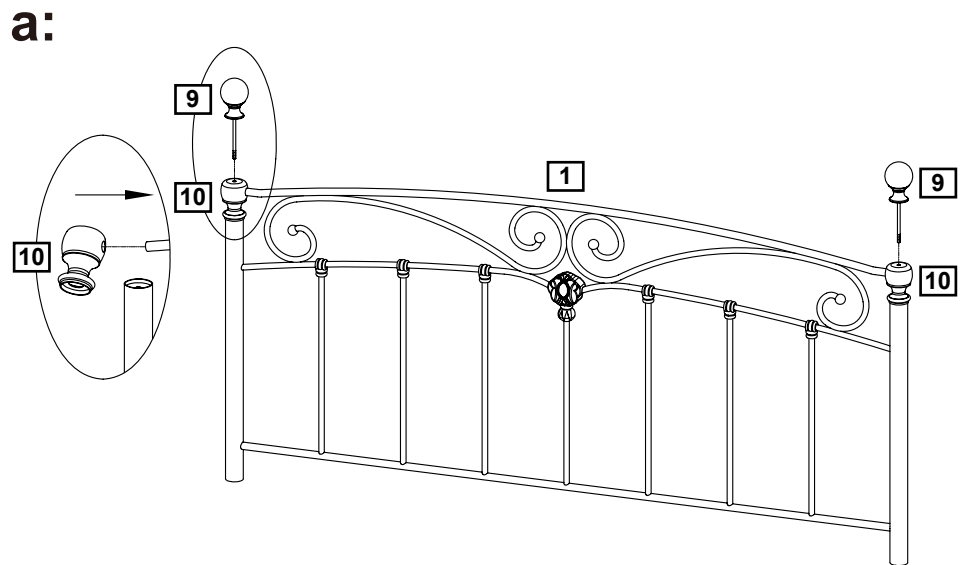


The bolts length is measured from the head to the point (30mm bolt shown).

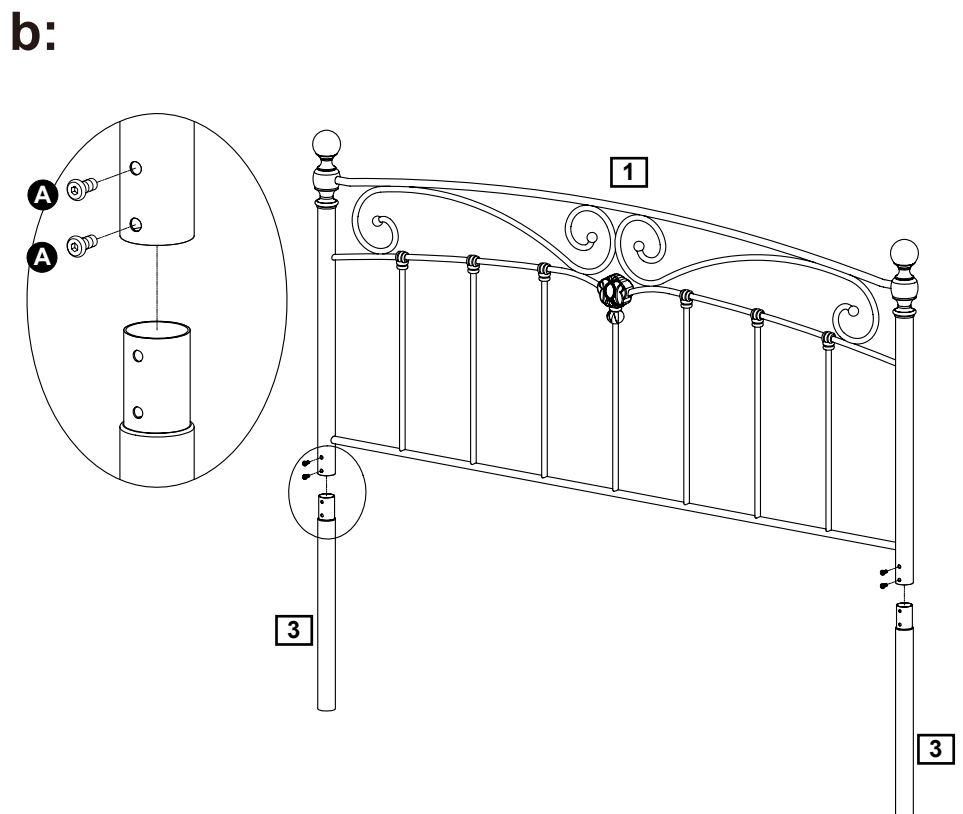
Assembly Instructions

Step 1

a: Insert finial bases **10** to headboard **1**, then screw finials **9** into the headboard.



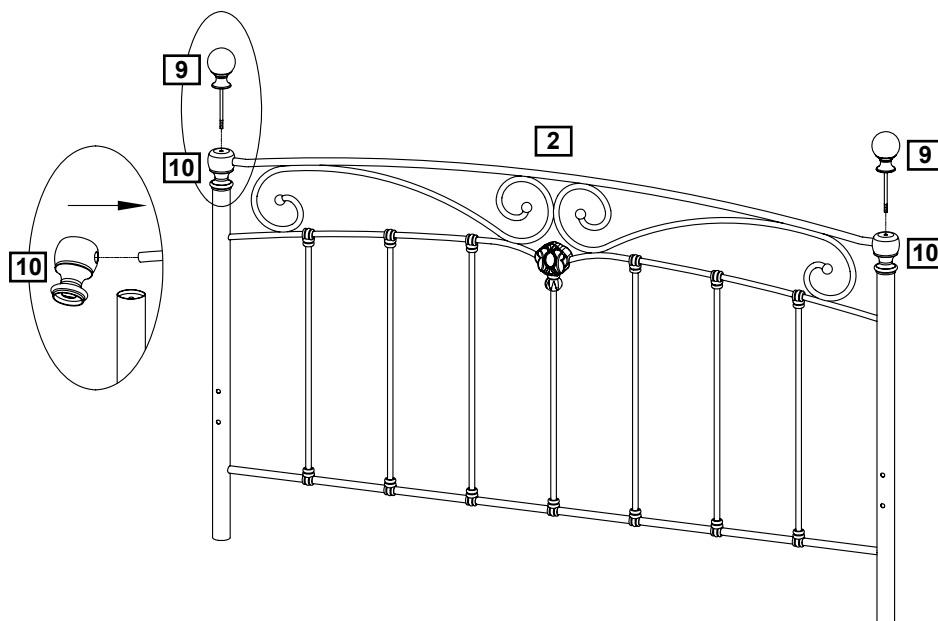
b: Fix headboard post **3** to headboard **1** using bolts **A**.



Assembly Instructions

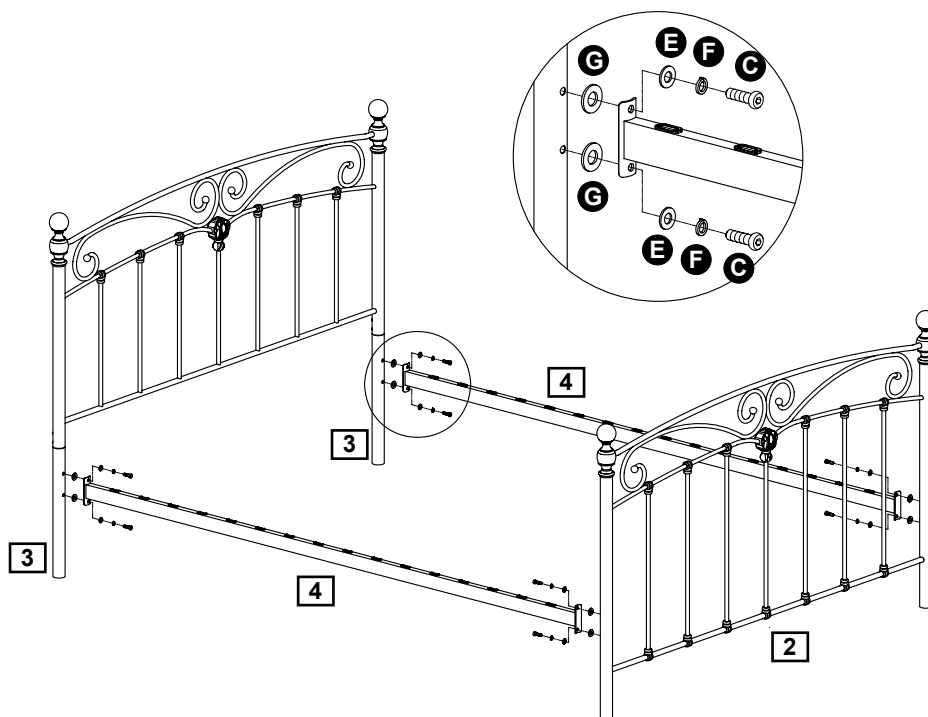
Step 2

Insert finial bases **10** to footboard **2**, then screw finials **9** into footboard.



Step 3

Fix side rails **4** to headboard posts **3** and footboard **2** using bolts **C**, spring washers **F**, large plain washers **E** and plastic washers **G**.



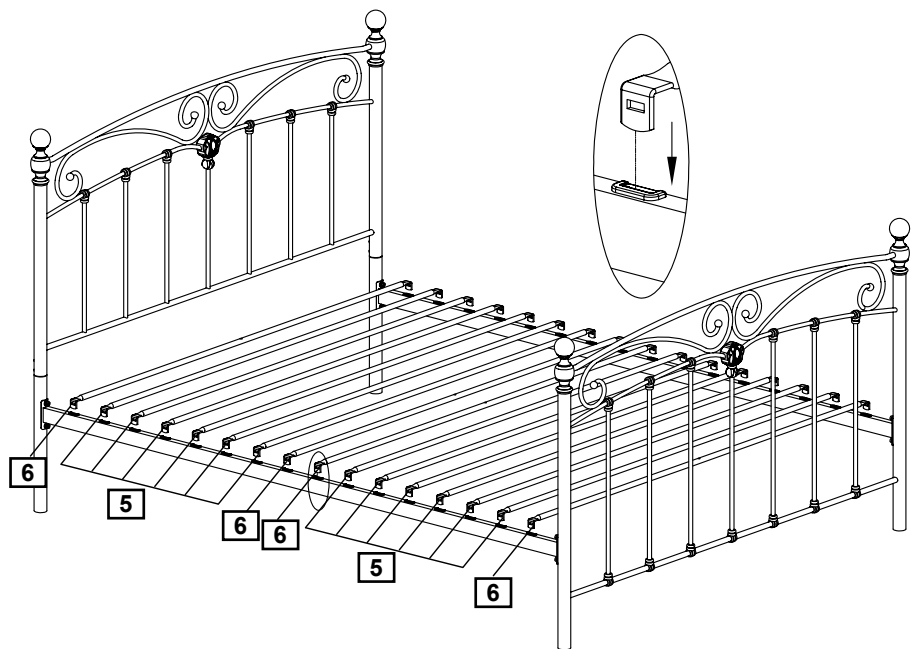
! *Important note:*

Do not fully tighten bolts at this stage.

Assembly Instructions

Step 4

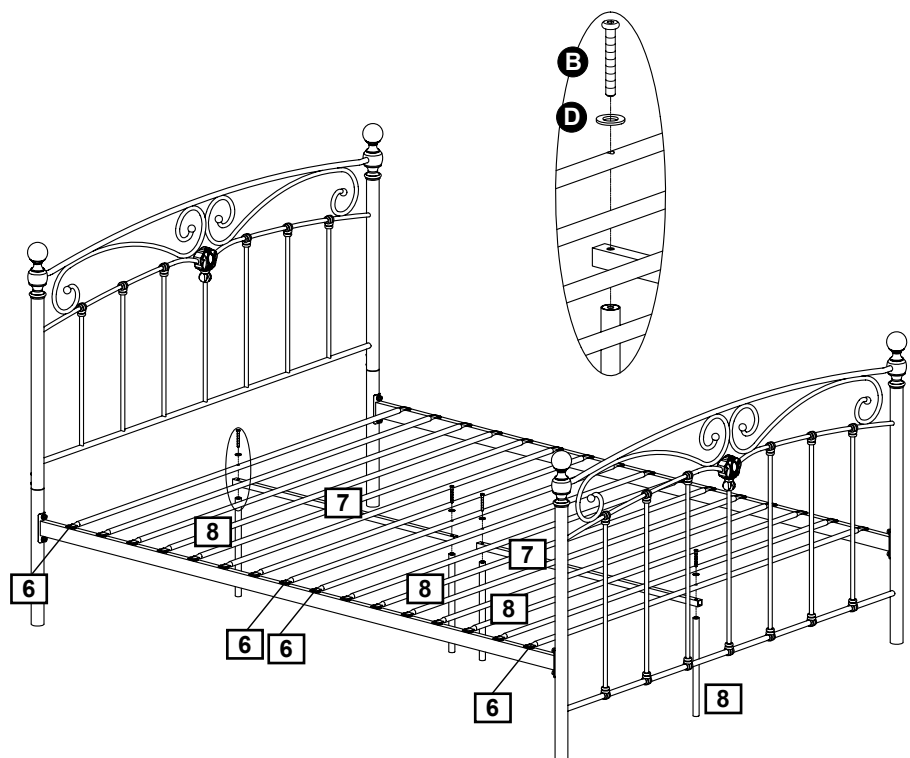
Insert slats **5** and **6** to the side rails.



Step 5

Use bolts **B** and small plain washers **D** to fix legs **8** and center support slats **7** onto slats **6**.

Assembly is complete.



Important note: After all the parts are positioned, you can now fully tighten all bolts fixed on previous steps.

If you need help or have damaged or missing parts, call the **Customer Helpline:**
Argos = 0345 6400800