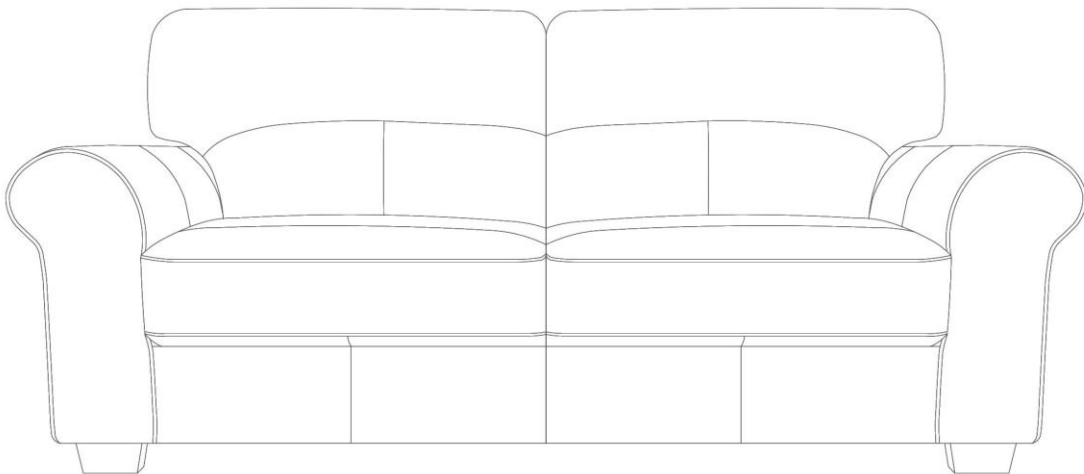


salisbury

instructions for use - please keep for future reference

338/4400	356/8604	360/9123	365/4666
359/8045	355/3516	333/6348	345/8673
331/4047	359/6449	331/4951	357/5752
455/2121	498/3154	455/1081	687/2744
711/9279	715/9662	855/4912	850/7749
854/2395	854/8818		



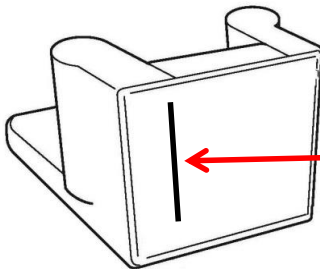
important - please read these instructions fully before using the product

If you need help or have damaged or missing parts, call the Customer Helpline: 0345 6400800

Safety and Care Advice

important - Please read these instructions fully before starting assembly

- Make sure you have enough space to work and layout the sofa.
- Assemble the sofa as close to its final position (in the same room) as possible.
- Assemble on a soft level surface to avoid damaging the sofa or your floor.
- Parts of the assembly will be easier with 2 people.
- Remove the protective cellophane wrapping the sofa. Do not use sharp tools that may damage the sofa covering.
- Feet and accessories can be found by opening the zip underneath the sofa. To access this zip spread the cellophane sheet on the floor, lower the sofa so that the rear back panel rests against the floor. Remove package containing the feet and accessories, then install the feet.



- Once feet are securely attached return the sofa to an upright position. To do this the sofa must be lifted and turned. Avoid using the feet as a lever as doing this may lead to damage.
- Dispose of all packaging carefully and responsibly.

Before your furniture leaves the factory, it is given a final inspection prior to secure wrapping for distribution. Due to tight and secure wrapping to minimise movement during transit, when unwrapped, the chair may appear a little "distressed". This is entirely normal, and the illustrations below show how to rectify this in 3 easy steps:



Step 1

With clean movements bring the back cushions of the chair back to their original shape.



Step 2

Spread the leather evenly across the seat cushions with the palms of your hands

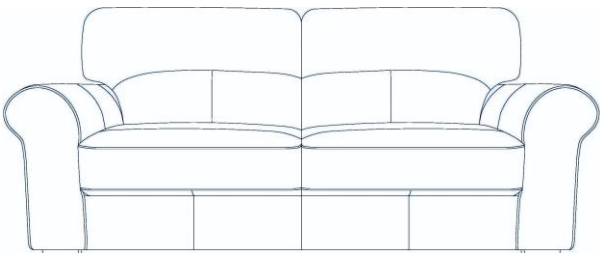



Step 3

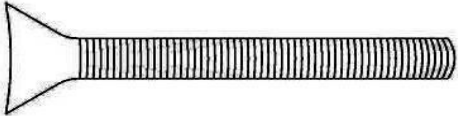
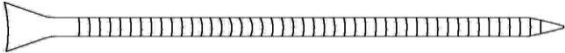
Give the arm pads a good plump and then straighten them as shown.

Components, Fixtures and Fittings

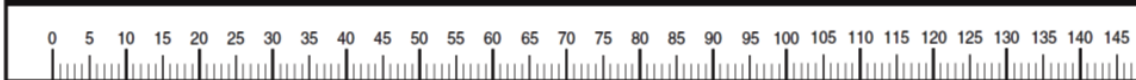
Components supplied (not actual size)

Ref	Visual	Quantity
1		1
2		4

Fixtures and Fittings supplied (Not Actual Size)

Ref	Dimensions (mm)	Visual	Quant
A	M8 x 80		4
B	M5 x 70		4

Ruler - Use this ruler to help correctly identify the screws



Assembly Instructions

Step 1

Line the feet **1** with the pre-drilled holes.

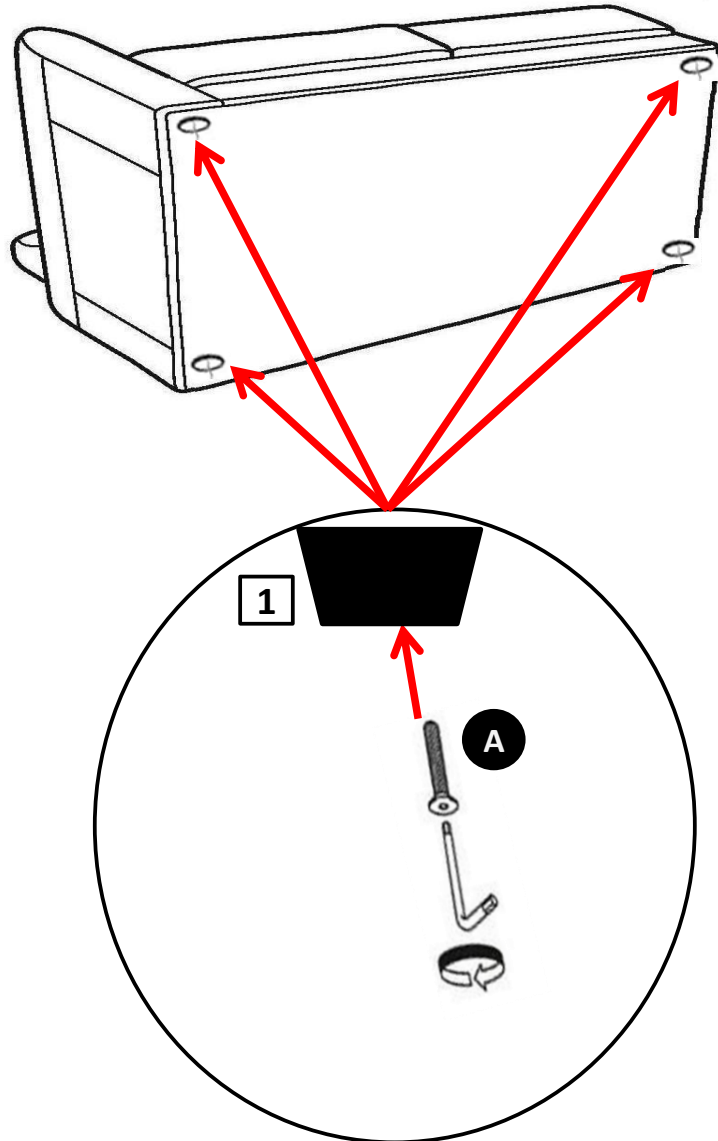
Step 2

Using the Hex Key Supplied gently screw the bolt **A** clockwise to engage thread and tighten.

Step 3

Gently turn the product onto its feet.

Assembly is complete.



Safety and Care Advice

maintenance

- Keep a minimum distance of 20-30 cm between your furniture and any source of heat i.e. fires or radiators.
- Avoid exposing the sofa to direct sunlight or to powerful lamps to as this may result in the leather fading. Protect it by drawing curtains or blinds.
- Vacuum or use a soft brush weekly as accumulated dust and dirt will wear and dull the material.
- **Zips** are fitted to assist in the ease of manufacture and do not necessarily mean the cover is removable for washing or cleaning.
- **Loose Threads** should be cut carefully not pulled as this may unravel the stitching.
- **Biro:-** Remove any Biro marks immediately as the ink will eat into the leather.
- **Beware of sharp or hot objects :-** Buckles, keys, toys and jewellery can easily snag on the fabric and cause tears and pulls. Hot objects, such as heat from mugs or cups can permanently disfigure upholstery.
- **Do not** move the sofa by pushing or pulling it by the arms on smooth or rough surfaces. If the sofa has to be moved the correct way to do so, is by lifting it from the base with two persons. Improper handling may lead to the feet or stitching to be damaged.
- **Excessive Force :-** Use your sofa responsibly. Do not jump on the sofa and avoid sitting on the edges of cushions and arms as this may cause distortion and permanent damage.

Restrain children from climbing or jumping on the furniture, especially in shoes.

- Especially do not allow domestic pets to claw or climb on the sofa, they have sharp claws which can scratch the leather. Their saliva is very harmful to leather as are their body fluids and oils.
- The product is designed for interior use only. When the time comes to discard it, do not dispose of the sofa improperly but make use of public waste disposal systems.

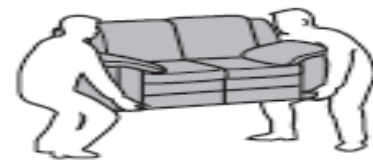
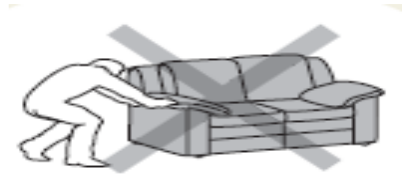
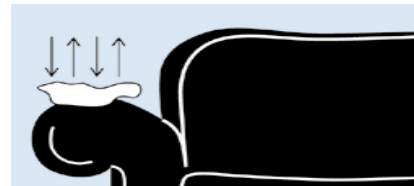
- **Avoid**

Wearing dark clothing especially denim jeans.

Leaving newspapers lying on the furniture.

Both of the above can result in dye/print being ground into the fabric and can result in cream/pale finishes going grey in colour.

Pets sleeping / lying on the furniture, as their natural body oils/hair/saliva can cause damage to the leather finish.





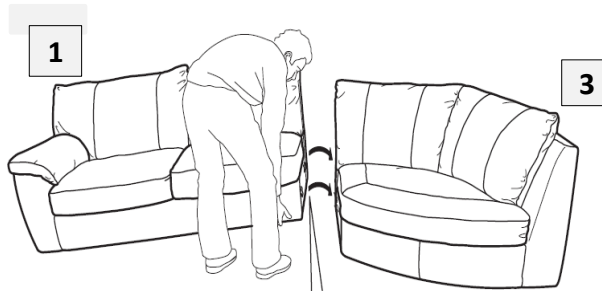
Assembly Instructions

Corner

Step 1

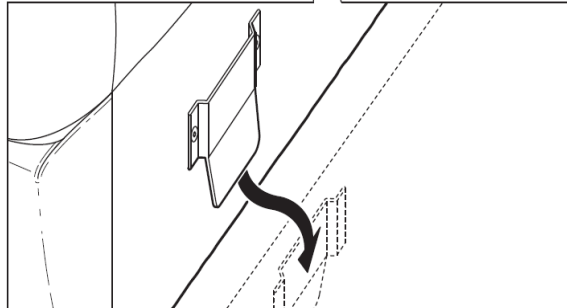
- Lift up the part **1** arm unit.

- Fit the metal joining plates of part **1** in to part **3** metal plates and lower the part **1** until the metal plates are joined.



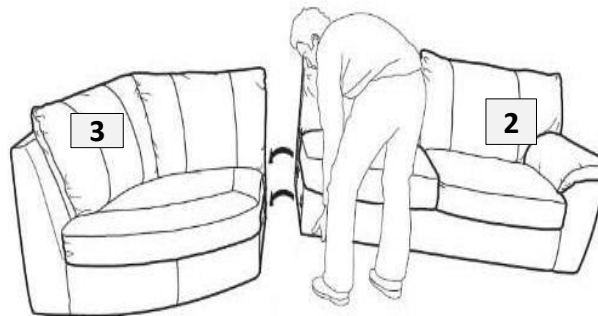
Step 2

- Press the part **1** down, make sure that the height of the seats is the same and that there is no gap between part **1** and part **3**.



Step 3

- Repeat the above steps with the other arm unit. **2**



User Instructions

Important - Please read these user instructions fully before using the sofabed, a few minutes spent doing this will allow you to fully understand all the functions of this product.

Opening of the Sofabed

1. Remove the seat cushions and place in a safe area.
2. Raise the bedspring by gripping the centre handle and pulling outwards. (Fig. A)
3. Grip the first supporting bar at the centre of the bar, raise and accompany the bar until it touches the floor. (Fig. B)
4. Repeat the operation for the second supporting bar. (Fig. C)

Fig. A

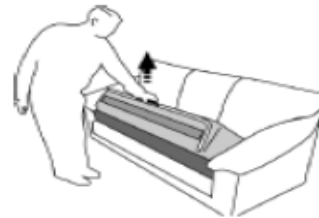


Fig. B

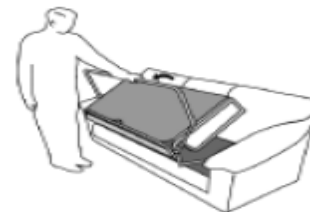


Fig. C

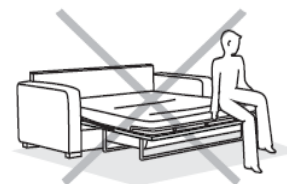
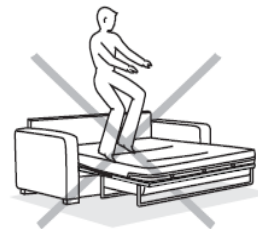


Closing of the Sofabed

In order to close the sofabed repeat the operations above in reverse order, always holding the support bar in the middle.

Warning :

- Before using the sofabed, it is necessary to cut the safety tab that restrains the bed mechanism.
 - Beware of entrapment. Keep hands and fingers clear of mechanism when operating the controls.
 - Ensure that children or pets are not playing or lying in the way when the mechanism is operated.
 - Prevent children from playing on the furniture or with the controls.
 - Do not use solvents to clean the metal parts of the sofabed : a dry cloth is sufficient.
 - Do not sit or stand on the head of the bedspring.
 - Do not jump on the bedspring.
 - Avoid sitting on the edge at the front of the bedspring.
-
- Remove bed sheets and blankets before closing the bedspring.
 - Operating the device improperly can cause permanent damages to the mechanism and cause the torsion bars and lever to bend.



If you need help or have damaged or missing parts, call the Customer Helpline: 0345 6400800

Safety and Care Advice

Cleaning Information Leather

Thorough Cleaning

Thorough Cleaning is recommended at least every 6 months to remove the gradual accumulation of body oils, perspiration, skin acids and general soiling (this includes the oils/hair from pets).

Use a specialist cleaning kit, taking into account any advice supplied by the manufacturer.

BEFORE USING ANY CLEANING AIDS, PLEASE READ THE INSTRUCTIONS CAREFULLY AND TEST ON A HIDDEN AREA FIRST.

EMERGENCY CLEANING

If a major spill has occurred requiring immediate attention, do the following:

- Use a mild unscented soap with distilled water.
- Dab the spot carefully with the solution.
- Avoid soaking the leather.
- Allow to air dry.

IF UNSURE SEEK THE ADVICE OF A PROFESSIONAL

DO NOT USE

- Harsh chemicals like acetone (nail polish remover), bleach, house-hold cleaners or stain removers.
- Coloured shoe polish as it will run onto clothes.
- Spray polishes, saddle soaps, waxes, "Hide foods".

These create a sticky surface attracting dirt and causing irreversible damage, which can over time, build up layers which will eventually crack, damaging the leather underneath.

Cleaning Information Fitted Covers

Accidental spillage

Where possible:

- Always tip liquid spillages from the surface of the fabric.
- Blot excess liquid with tissues or toilet roll.
- If necessary, sponge the area but do not over wet as water can shrink fabrics or their backing fibres.
- Remember to damp a complete panel to avoid marking.
- Always remove stains in the direction of the pile, if any. BE GENTLE - do not rub or scrub as this will only spreads the stain and can damage fabrics.

General dirt and stains

- Use a clean damp cloth (not wet) and if necessary use a gentle cleaning aid.
- Never use hot water as this can set the stain into the fabric.
- Do not use detergents as these can cause colour loss and leave sticky residues.

Follow cleaning symbol guidelines as shown below.

Grease or oil based stains

- Use a propriety spot cleaner working from the edge of the stain inward to avoid spreading.
- If possible, treat the stain from the wrong side of the fabric and never use a hard scrubbing action.

Water based stains

- Use a specialist upholstery cleaner/shampoo. If a specialist cleaner is not available a very weak (2%) solution of washing powder can be used in hot or cold water.
- Use the mixture sparingly.
- Dab gently from the outer edge, inward.
- Dab out shampoo afterwards using warm water.

DO NOT SOAK

Cleaners are available from most supermarkets and hardware stores.

BEFORE USING ANY CLEANING AIDS, PLEASE READ THE INSTRUCTIONS CAREFULLY AND TEST ON A HIDDEN AREA FIRST



Safety and Care Advice

Attention :

- Natural leather is a noble and resistant material, which becomes more valuable over time. Its transpiration properties make it warm in winter and cool in the summer, and its flexibility allows it to mould perfectly to the body's shape. Characteristics such as healed scars, wrinkles, insect bites, breaks, veining and variations in grain and colour are natural features of hides of leather that give them their value and natural character. These characteristics should not be viewed as defects, but as confirmation that you have purchased genuine leather and not an imitation. These markings will depend on the grade of leather you have selected.
- During the first three months of use the polyurethane foam padding used in the seats tends to become softer and then finally stabilizes itself. This process is absolutely natural as when pressure is applied on the seating the micro-cells that comprise the polyurethane break down. This process is perfectly normal for this kind of material and produces a slight softening effect. As above, it is absolutely normal that the softness of a seat / back padding is found to be different from the one adjacent, depending on its usage. Light creases may form on the covering following the abovementioned natural setting of the padding, which are to be considered absolutely normal and depend on the settling of the leather.

product guarantee

This product is guaranteed against manufacturing defects for a period of up to 5 years*.

This does not cover the product where the fault is due to misuse, abuse, use in contravention of the instructions, or where the product has been the subject of unauthorised modifications or alterations, or has been the subject of commercial use.

In the event of a problem with the product within the guarantee period please call 0345 601 2895.

Please retain your receipt and order number as proof of purchase.

Your statutory rights remain unaffected.

* 5 years for the frame, armrests, springs and mechanism.
2 years for the cover fabric.

Terms and conditions apply. Please refer to argos.co.uk for full details.

Produced for Heart of House

489 - 499 Avebury Boulevard
Central Milton Keynes
MK9 2NW

Country of Origin - Romania

If you need help or have damaged or missing parts, call the Customer Helpline: 0345 6400800