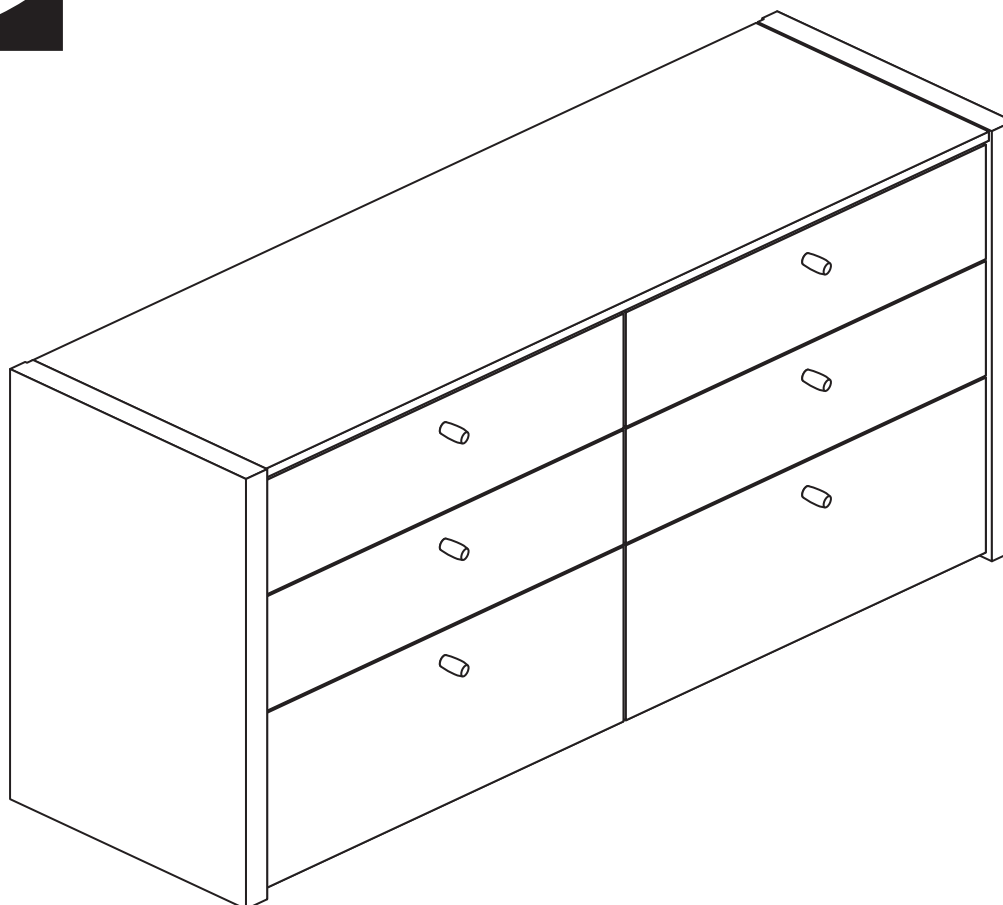


Hertford - 3+3 Drawer Chest

Assembly Instructions - Please keep for future reference

360/9446

360/3806



Dimensions

Width - 127cm

Depth - 38.5cm

Height - 71.5cm



**MADE IN
BRITAIN**

Important - Please read these instructions fully before starting assembly

If you need help or have damaged or missing parts, call the **Customer Helpline: 03456 400800**



Safety and Care Advice

Important - Please read these instructions fully before starting assembly

- **Warning:** This unit weighs approximately 36kgs. Please lift with care.

- Check you have all the components and tools listed on pages 2 and 3.

- Remove all fittings from the plastic bags and separate them into their groups.

- Keep children and animals away from the work area, small parts could choke if swallowed.

- Parts of the assembly will be easier with 2 people.

- Make sure you have enough space to layout the parts before starting.

- Do not stand or put weight on the product, this could cause damage.

- Assemble the item as close to its final position (in the same room) as possible.

- Assemble on a soft level surface to avoid damaging the unit or your floor (use opened out unit carton).



- We do not recommend the use of power drill/drivers **for inserting screws**, as this could damage the unit. Only use hand screwdrivers.

- **Safety note:** It is recommended that this unit is secured to a wall using the overbalance kit supplied.

- Dispose of all packaging carefully and responsibly.

Care and maintenance

- Only clean using a damp cloth and mild detergent, do not use bleach or abrasive cleaners.

- From time to time check that there are no loose screws on this unit.

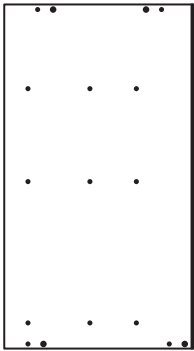
- This product should not be discarded with household waste. Take to your local authority waste disposal centre.

Note: If required the next page can be cut out and used as reference throughout the assembly. Keep this page with these instructions for future reference.

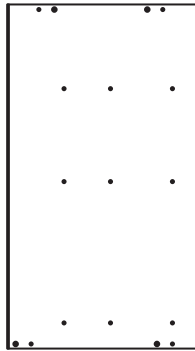
Components - Panels

If you have damaged or missing components, call the **Customer Helpline: 03456 400800** quoting the reference numbers below

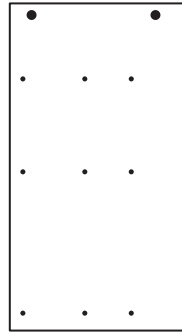
Please check you have all the panels listed below



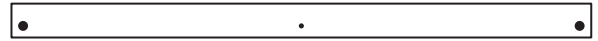
1 Left Side (DF379)
(711 x 390mm)



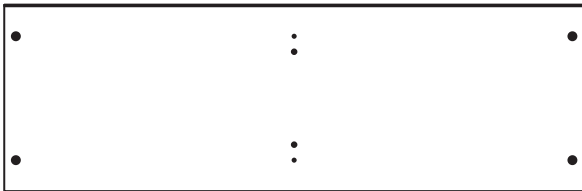
2 Right Side (DF380)
(711 x 390mm)



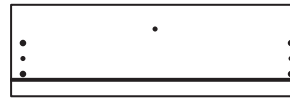
3 Divider (DF388)
(676 x 363mm)



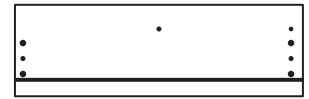
4 Rail (DF3032)
(1198 x 70mm) x 2



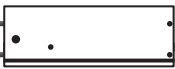
5 Top (DF381)
(1198 x 385mm)



6 Small Left Drawer Front (DF384)
(595 x 189mm) x 2



7 Small Right Drawer Front (DF390)
(595 x 189mm) x 2



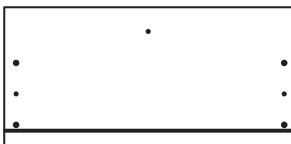
8 Small Left Drawer Side (W350-124LH)
(350 x 124mm) x 4



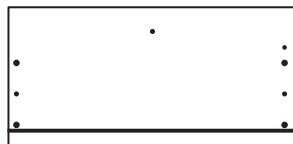
9 Small Right Drawer Side (W350-124RH)
(350 x 124mm) x 4



10 Small Drawer Back (W542-124)
(542 x 124mm) x 4



11 Large Left Drawer Front (DF386)
(595 x 289mm)



12 Large Right Drawer Front (DF391)
(595 x 289mm)



13 Large Left Drawer Side (W350-165LH)
(350 x 165mm) x 2



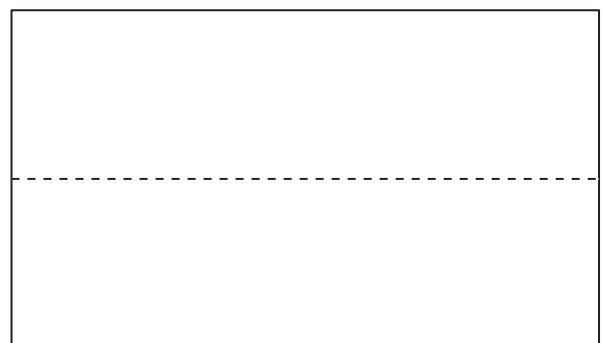
14 Large Right Drawer Side (W350-165RH)
(350 x 165mm) x 2



15 Large Drawer Back (W542-165)
(542 x 165mm) x 2



16 Drawer Base (T533-347)
(533 x 347mm) x 6



17 Back (X1216-697)
(1216 x 697mm)

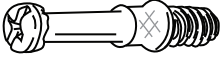









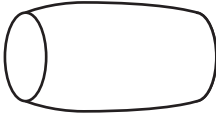
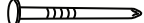
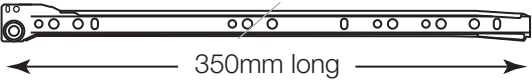

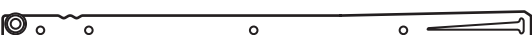

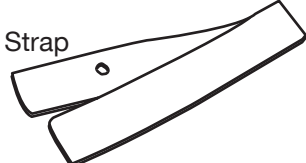




Components - Fittings

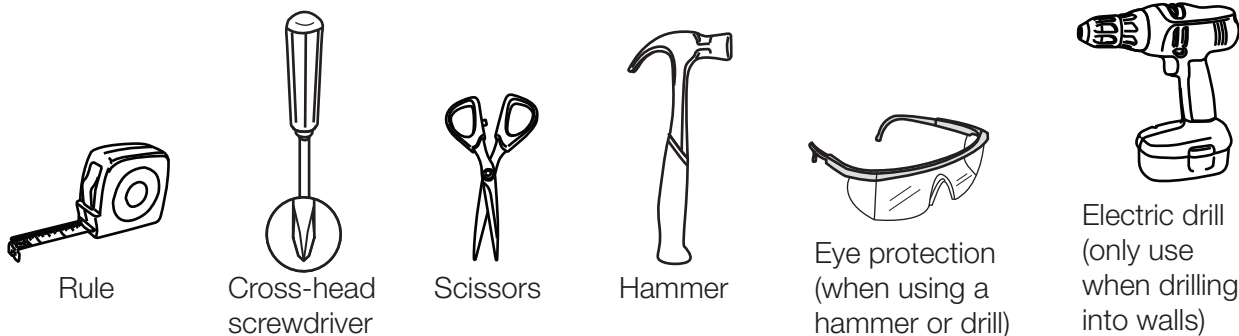
If you have damaged or missing components, call the **Customer Helpline: 03456 400800** quoting the reference numbers below

Please check you have all the fittings listed below

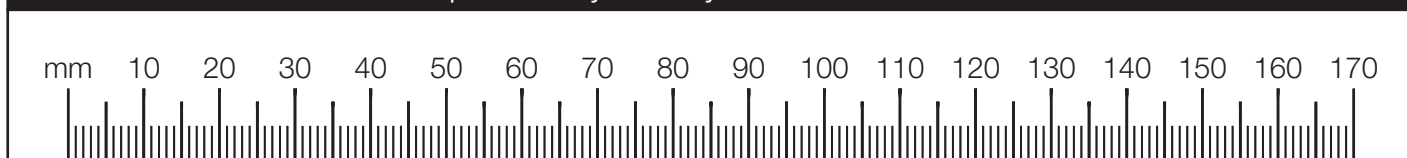
Note: The quantities below are the correct amount to complete the assembly. In some cases more fittings may be supplied than are required.

<p>A </p> <p>Metal dowel (F901) x 22</p>	<p>B </p> <p>Large locking nut (F900) x 10</p>	<p>C </p> <p>Small locking nut (F3) x 12</p>
<p>D </p> <p>Wooden dowel (F22) x 10</p>	<p>E </p> <p>40mm Screw (F910) x 2</p>	<p>F </p> <p>Knock-in Peg (F171GY) x 24</p>
<p>G </p> <p>19mm Screw (F461) x 6</p>	<p>H </p> <p>13mm Screw (F63) x 36</p>	<p>I </p> <p>9mm Screw (F73) x 36</p>
<p>J </p> <p>Wedgefix (F639) x 12</p>	<p>K </p> <p>Handle (F341) x 6</p>	<p>L </p> <p>Nail (F51) x 26</p>
<p>M a  L Runner (F159) x 6 ← 350mm long →</p> <p>M b  R Runner (F160) x 6</p> <p>M c  L Runner (F161) x 6</p> <p>M d  R Runner (F162) x 6</p>		<p>N  Strap</p> <p> Screw  Washer x 2</p> <p>Overbalance protector kit (F269) x 1</p>

Tools required



Ruler - Use this ruler to help correctly identify the screws



Assembly Instructions

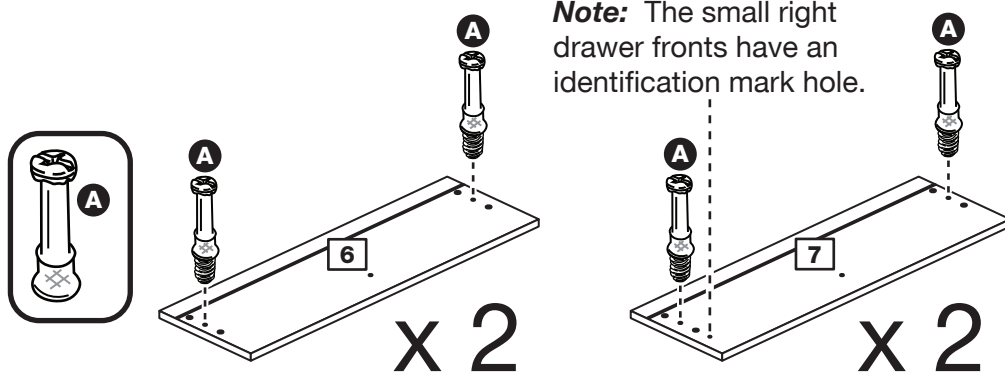
If you have damaged or missing components, call the
Customer Helpline: 03456 400800 quoting the reference
numbers below

Step 1

Prepare the 4 small drawer fronts

Screw 2 metal dowels **A** into each of the 2 small left drawer fronts **6** and the 2 small right drawer fronts **7**.

Note: Tighten the metal dowels up fully against the panels.

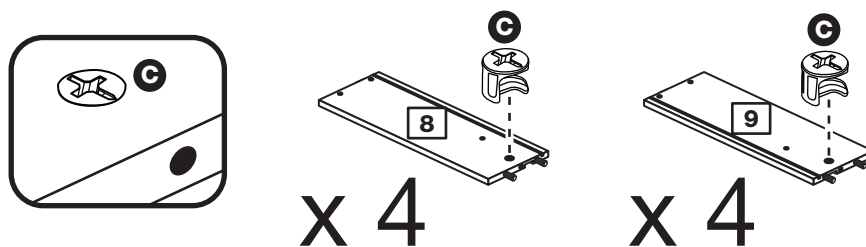


Step 2

Prepare the small drawer sides

Insert a small locking nut **C** into the hole shown on the small left drawer sides **8** and the small right drawer sides **9**.

Note: The arrow on the locking nut **must** point towards the hole in the edge of the panel.



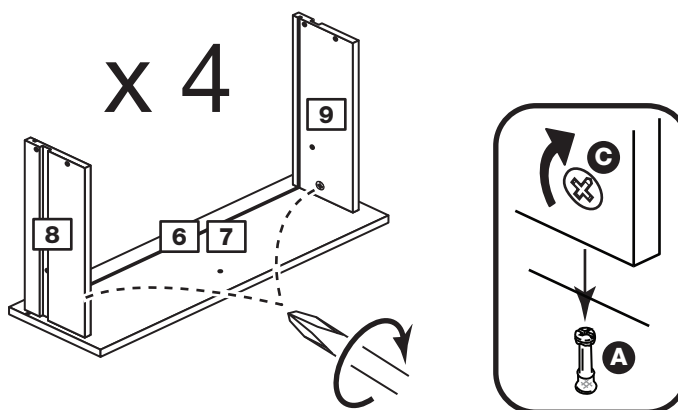
Step 3

Attach the small drawer sides to the small drawer fronts

Push the small left drawer sides **8** and small right drawer sides **9** onto the back of the small drawer fronts **6** and **7**.

Turn the small locking nuts **C** on the small left drawer sides **8** and small right drawer sides **9**.

Note: Turn the locking nuts **C** clockwise to secure panels - more than 1/2 a turn.

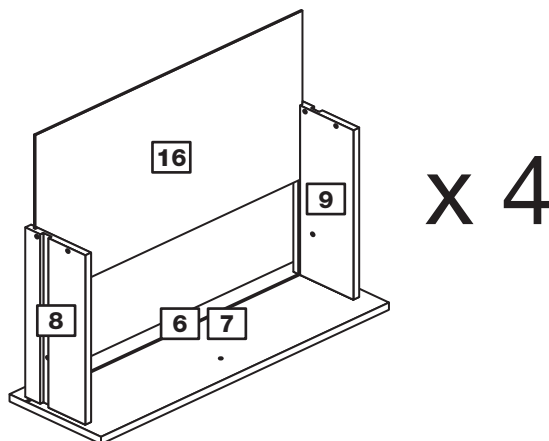


Assembly Instructions

Step 4

Fit the drawer base

Slide the drawer base **16** down the grooves in the small drawer sides **8** and **9** and down into the groove in the small drawer fronts **6** and **7**.



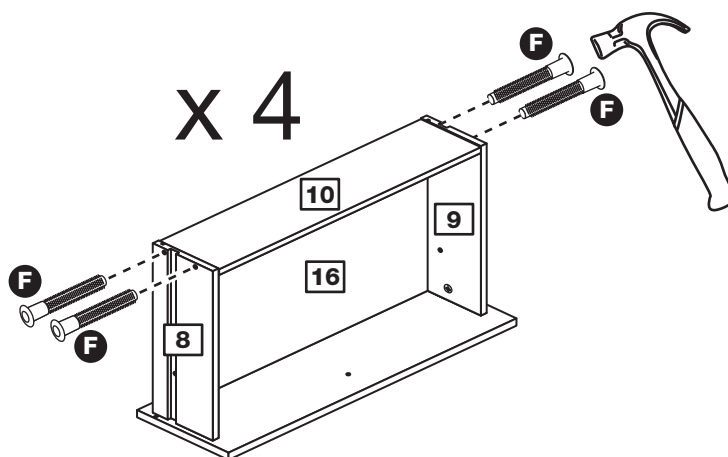
Step 5

Fit the small drawer back

Fit the small drawer back **10** between the small drawer sides **8** and **9**.

Make sure that the drawer base **16** fits into the groove in the small drawer back **10**.

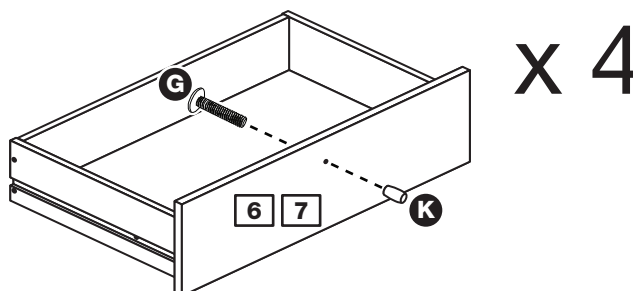
Hold the small drawer back **10** in position and tap the knock-in pegs **F** through the holes in the small drawer sides **8** and **9**.



Step 6

Attach the handles

Attach a handle **K** to each of the small drawer fronts **6** and **7** using screws **G**.



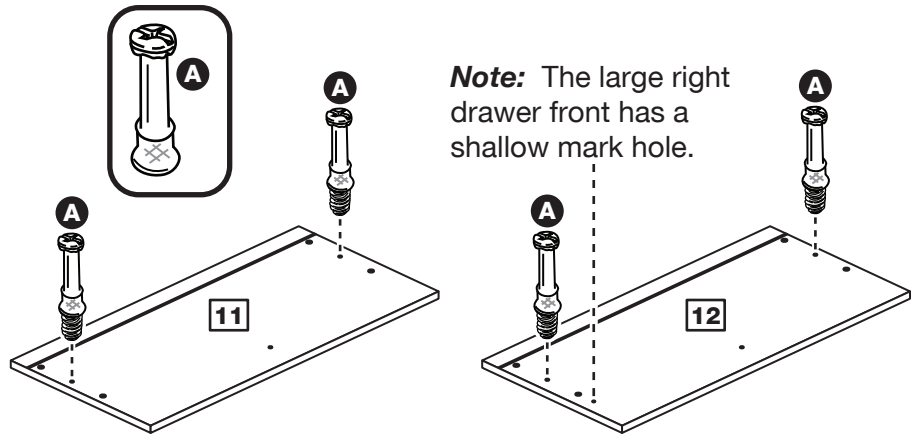
Assembly Instructions

Step 7

Prepare the 2 large drawer fronts

Screw 2 metal dowels **A** into each of the large drawer fronts **11** and **12**.

Note: Tighten the metal dowels up fully against the panels.

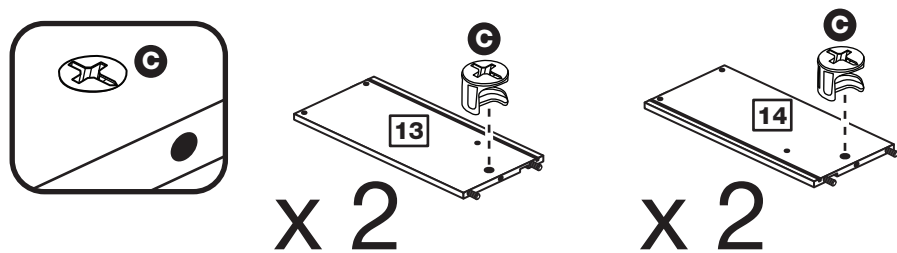


Step 8

Prepare the large drawer sides

Insert a small locking nut **C** into the hole shown on the large left drawer side **13** and the large right drawer side **14**.

Note: The arrow on the locking nut **must** point towards the hole in the edge of the panel.



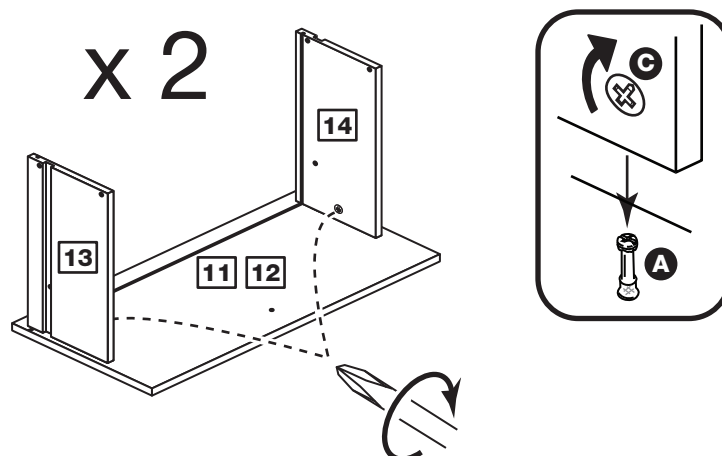
Step 9

Attach the large drawer sides to the large drawer fronts

Push the large left drawer side **13** and large right drawer side **14** onto the back of the large drawer fronts **11** and **12**.

Turn the small locking nuts **C** on the large left drawer side **13** and large right drawer side **14**.

Note: Turn the locking nuts **C** clockwise to secure panels - more than 1/2 a turn.

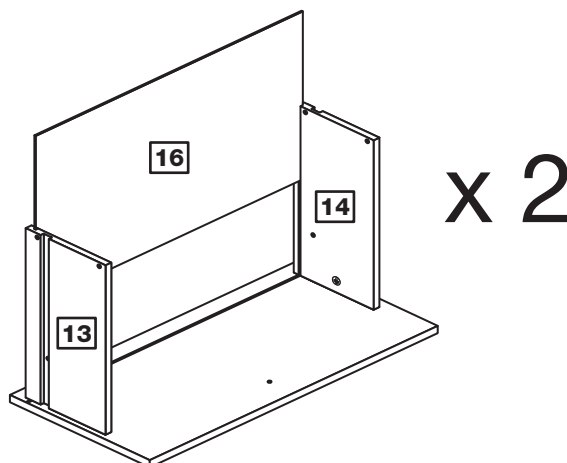


Assembly Instructions

Step 10

Fit the drawer base

Slide the drawer base **16** down the grooves in the large drawer sides **13** and **14** and down into the groove in the large drawer fronts **11** and **12**.



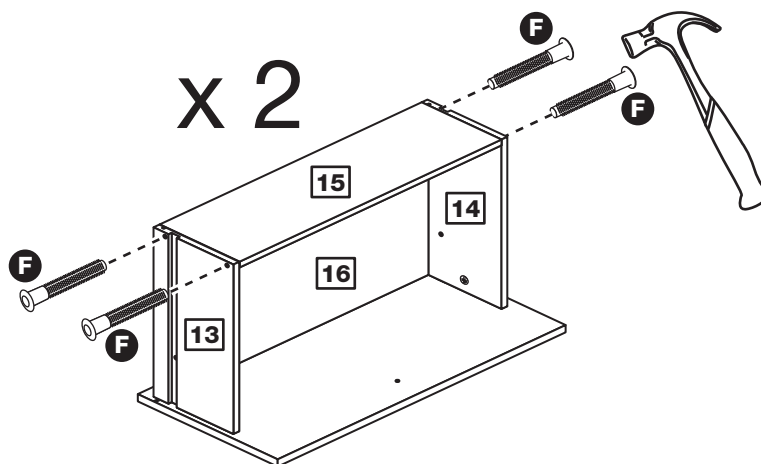
Step 11

Fit the large drawer back

Fit the large drawer back **15** between the large drawer sides **13** and **14**.

Make sure that the drawer base **16** fits into the groove in the large drawer back **15**.

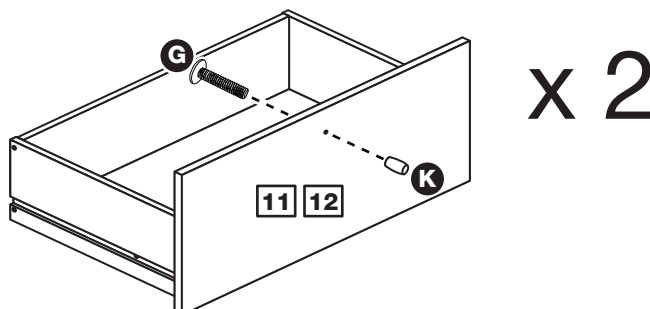
Hold the large drawer back **15** in position and tap the knock-in pegs **F** through the holes in the large drawer sides **13** and **14**.



Step 12

Attach the handles

Attach a handle **K** to each of the large drawer fronts **11** and **12** using 2 screws **G**.

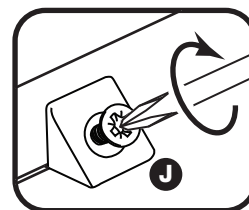
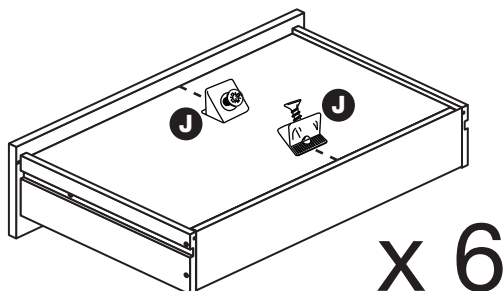


Assembly Instructions

Step 13

Fit 2 wedgefixes to each of the drawers

Turn all 6 of the drawer assemblies over and slide 2 wedgefixes **J** into the front and back grooves, as shown and tighten up the screws.



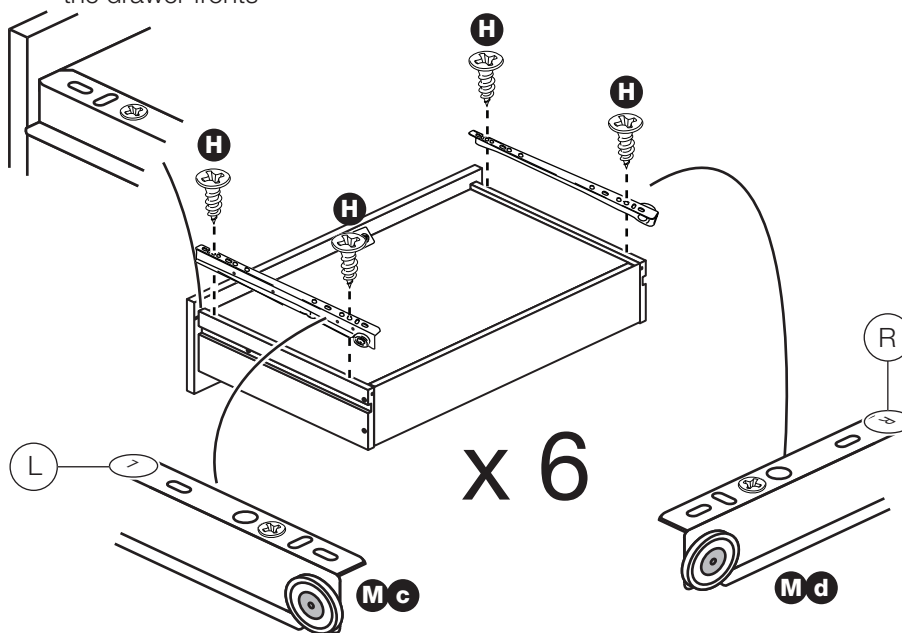
Step 14

Fit runners to each of the drawers

Fit runner **Md**, marked with 'R', to the bottom edge of the right drawer sides as shown, making sure that it is pushed up against the back of the drawer front. Use a bradawl to mark the fixing positions, then secure with 2 screws **H**.

Fit runner **Mc**, marked 'L', to the bottom edge of the left drawer sides using the same method.

Runners must be pushed up against the drawer fronts



Assembly Instructions

Step 15

Prepare the left side

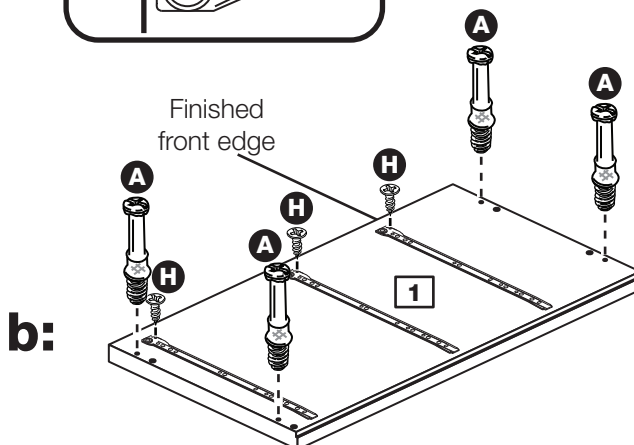
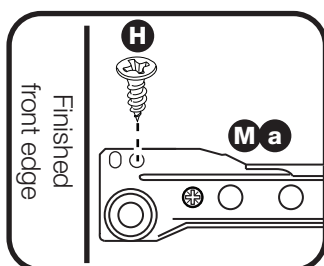
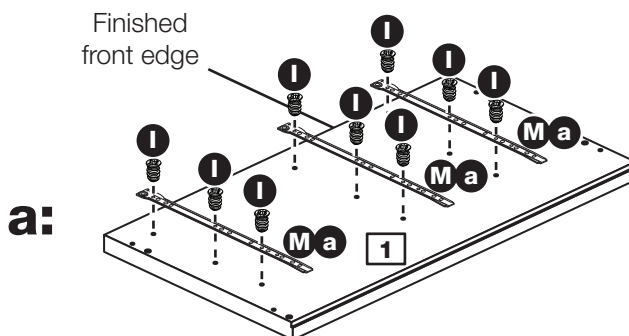
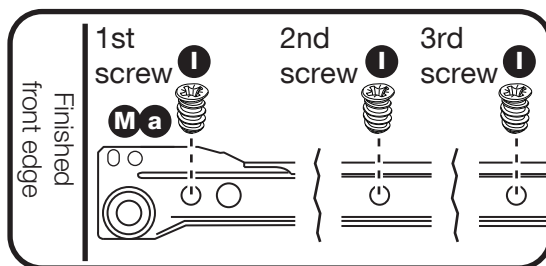
a: Fit 3 runners **Ma** to the left side **1**.

The 1st screw **I** uses the 1st hole in from the front of the runners.

The 2nd and 3rd screws **I** use the holes that line up with the other panel holes.

b: Fit a screw **H** into the 2nd hole in at the top of the runners **Ma**.

Screw 4 metal dowels **A** into the left side **1**.



Assembly Instructions

Step 16

Prepare the right side

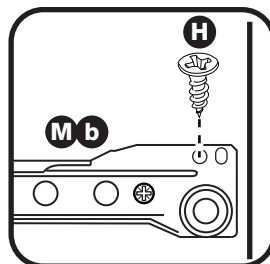
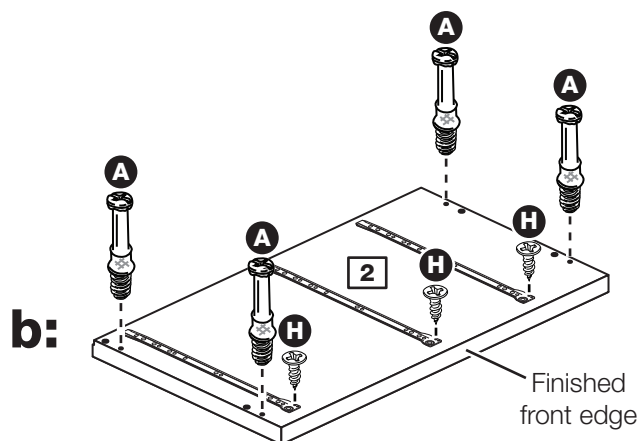
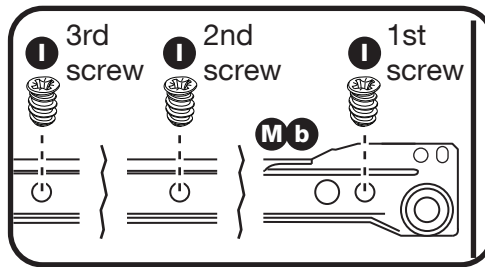
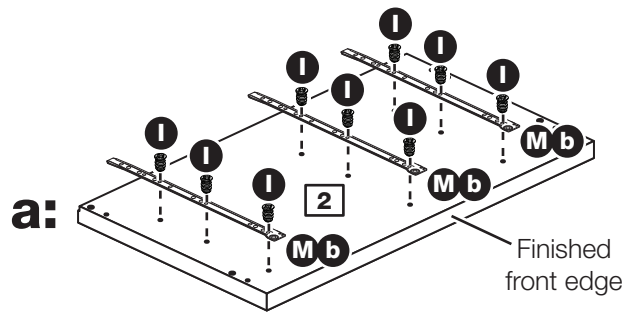
a: Fit 4 runners **M b** to the right side **2**.

The 1st screw **I** uses the 1st hole in from the front of the runners.

The 2nd and 3rd screws **I** use the holes that line up with the other panel holes.

b: Fit a screw **H** into the 2nd hole in at the top of the runners **M b**.

Screw 4 metal dowels **A** into the right side **2**.



Assembly Instructions

Step 17

Prepare the top

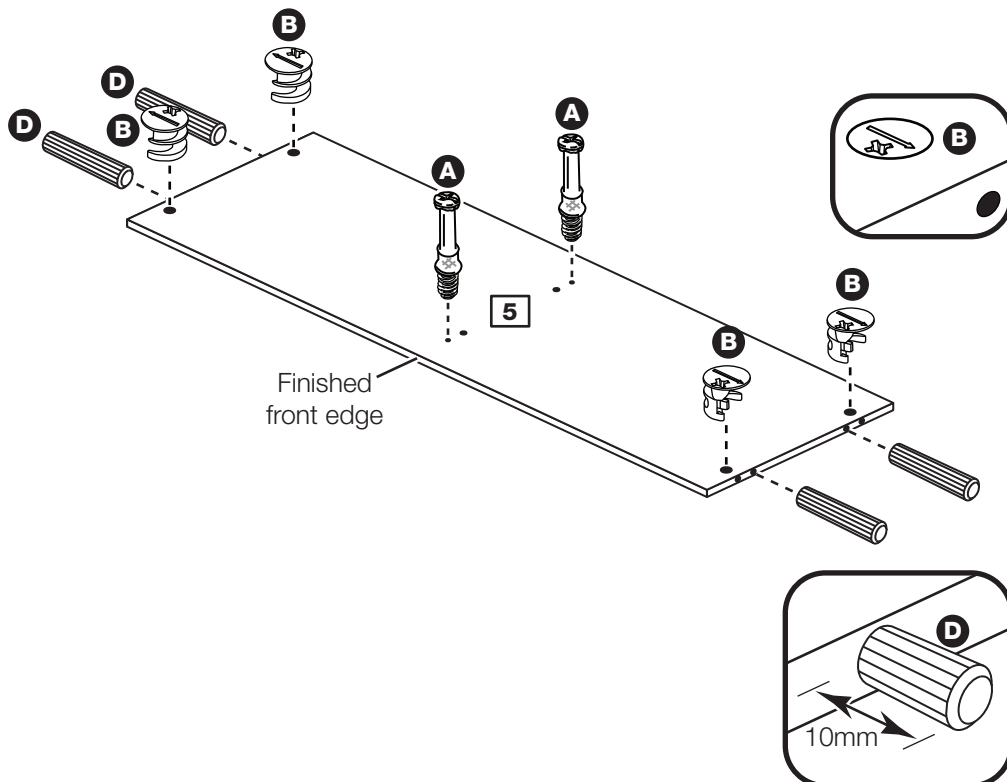
Insert 4 large locking nuts **B** into the top **5**.

Note: The arrow on the locking nut **must** point towards the hole in the edge of the panel.

Tap 4 wooden dowels **D** into the top **5**.

Note: Wooden dowels **must not** stick out from the edge by more than 10mm or they may damage other panels.

Screw 2 metal dowels **A** into the top **5**.



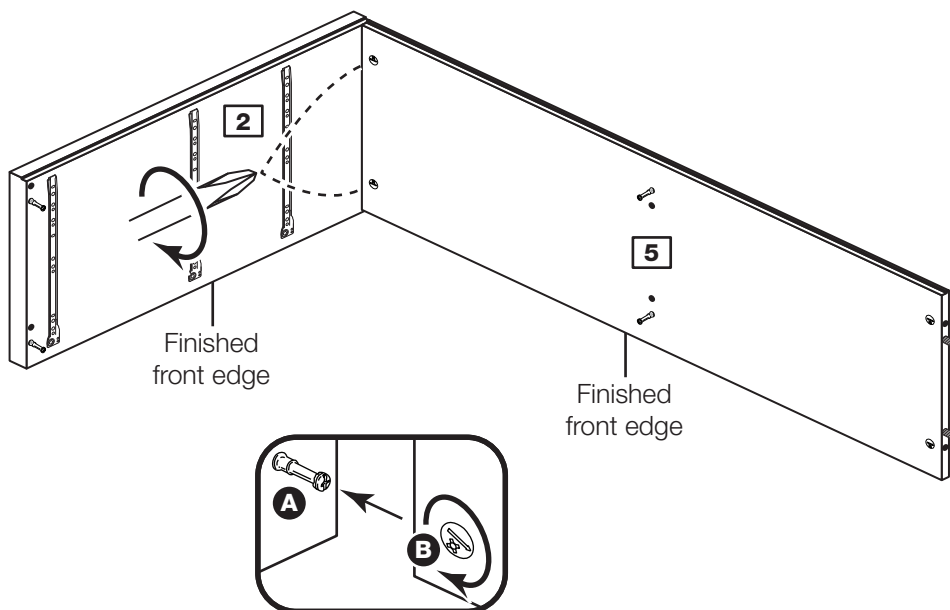
Step 18

Fit the top to the right side

Push the top **5** onto the right side **2**.

Use a screwdriver to tighten the 2 large locking nuts **B** fitted to the top **5**.

Note: Turn the large locking nuts **B** as far as they will go - more than 1/2 a turn.



Assembly Instructions

Step 19

Prepare the divider

a: Fit 3 runners **Ma** to the divider **3**.

The 1st screw **I** uses the 1st hole in from the front of the runners.

The 2nd and 3rd screws **I** use the holes that line up with the other panel holes.

b: Fit a screw **H** into the 2nd hole in at the top of the runners **Ma**.

Insert 2 large locking nuts **B** into the divider **3**.

Note: The arrow on the locking nut **must** point towards the hole in the edge of the panel.

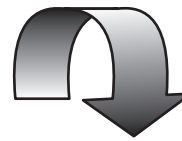
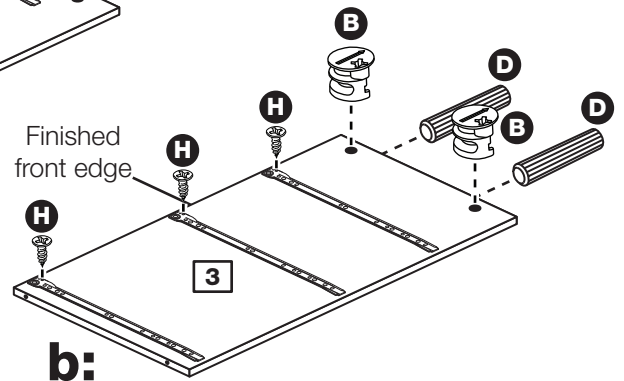
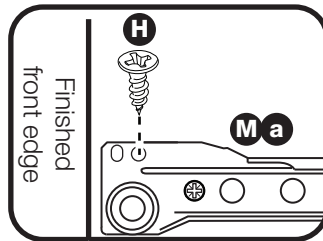
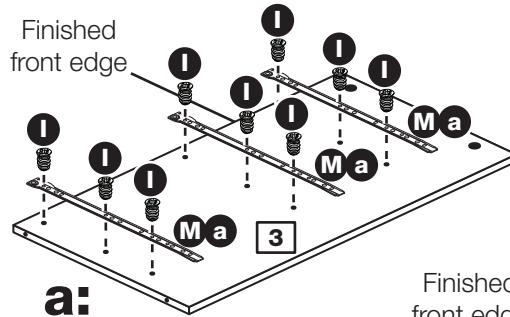
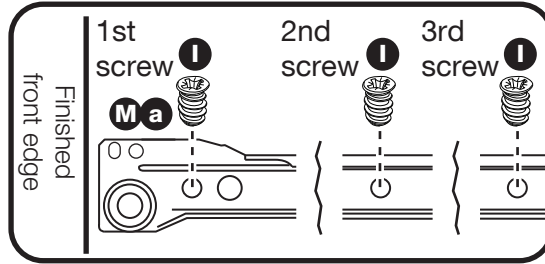
Tap 2 wooden dowels **D** into the divider **3**.

Note: Wooden dowels **must not** stick out from the edge by more than 10mm or they may damage other panels.

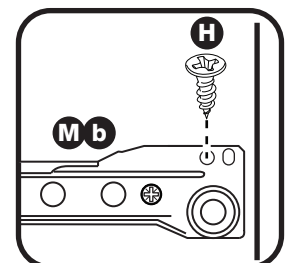
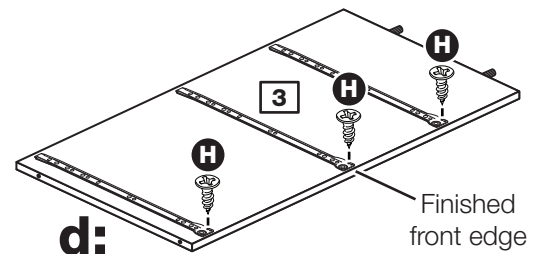
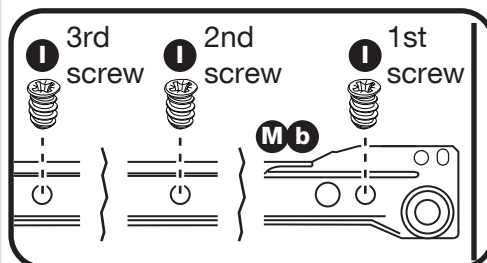
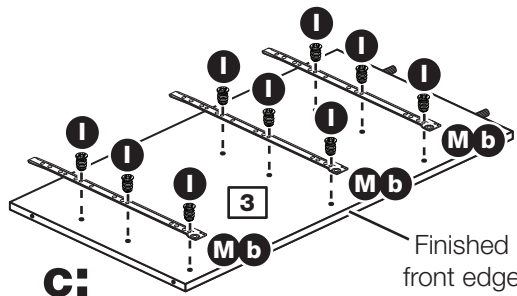
Turn the divider over

a: Fit 3 runners **Mb** to the other surface of the divider **3** using 3 screws **I**.

b: Fit a screw **H** into the 2nd hole in at the top of the runners **Mb**.



Turn the divider over



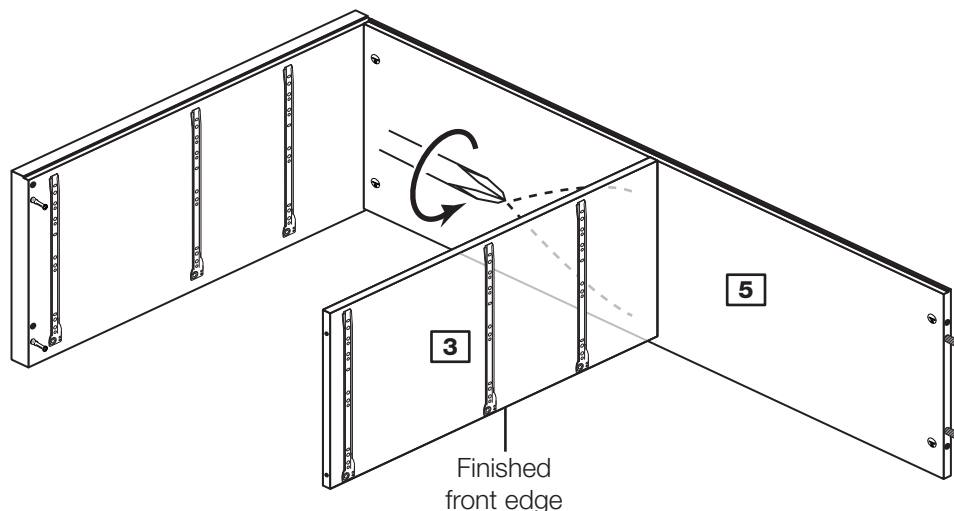
Assembly Instructions

Step 20

Fit the divider to the top

Push the divider **3** onto the top **5**.

Use a screwdriver to tighten the 2 large locking nuts **B** fitted to the divider **3**.

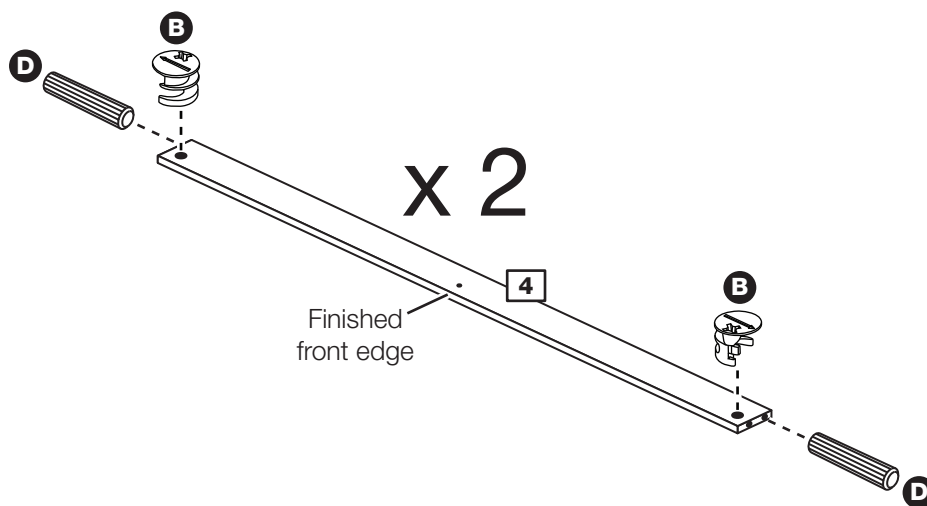


Step 21

Prepare the 2 rails

Insert 2 large locking nuts **B** into each of the 2 rails **4**.

Tap 2 wooden dowels **D** into each of the 2 rails **4**.



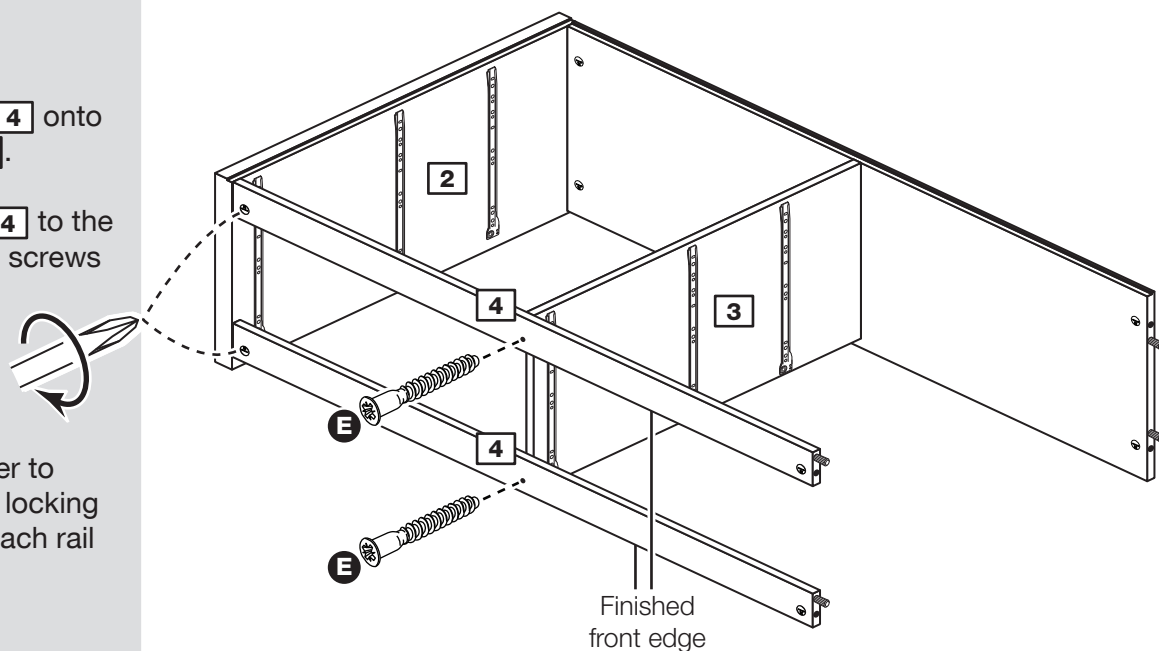
Step 22

Fit the 2 rails

Push the 2 rails **4** onto the right side **2**.

Attach the rails **4** to the divider **3** using screws **E**.

Use a screwdriver to tighten the large locking nut **B** fitted to each rail **4**.



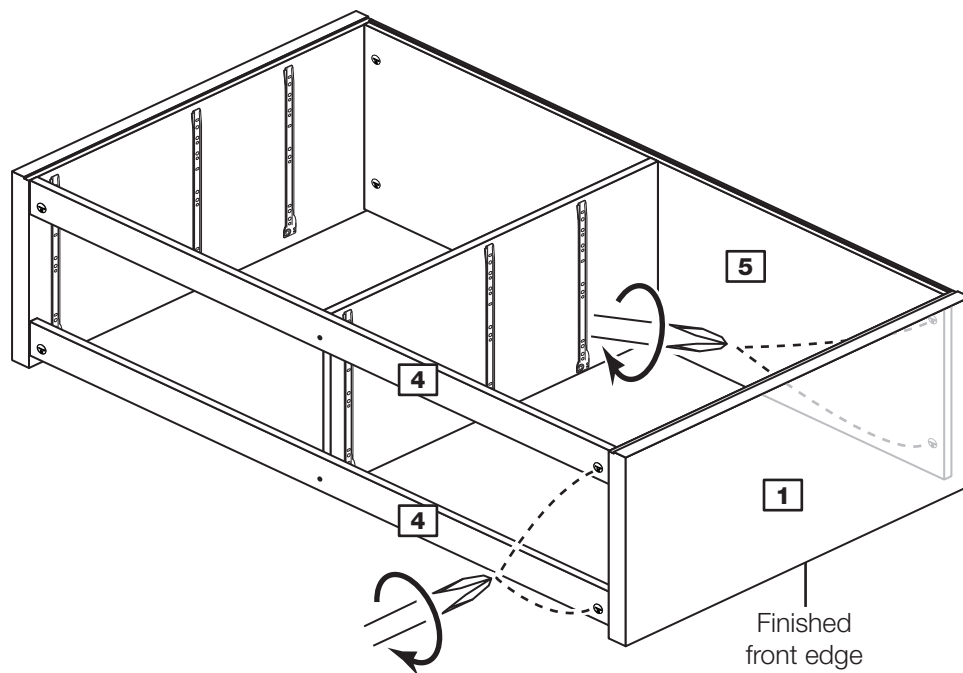
Assembly Instructions

Step 23

Fit the left side

Push the left side **1** onto the assembly.

Use a screwdriver to tighten the 4 large locking nuts **B** fitted to the top **5** and the 2 rails **4**.



Step 24

Fit the back

a: Square up the unit by making sure that measurement **x** to **x** equals **y** to **y**.

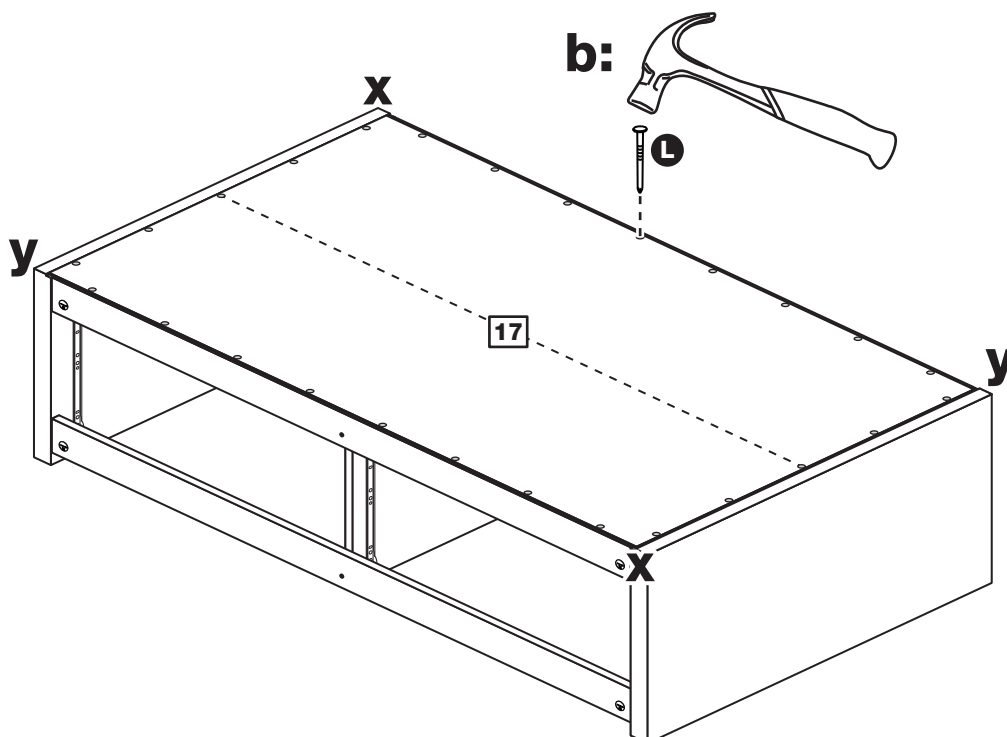
b: Place the back **17** onto the unit.

Nail **L** around the outside edges of the back **17**.

Note: Nails should be spaced about 150mm apart.

Stand the unit up for the next step.

a: The measurement from top corner X to bottom corner X must be equal to the measurement from top corner Y to bottom corner Y



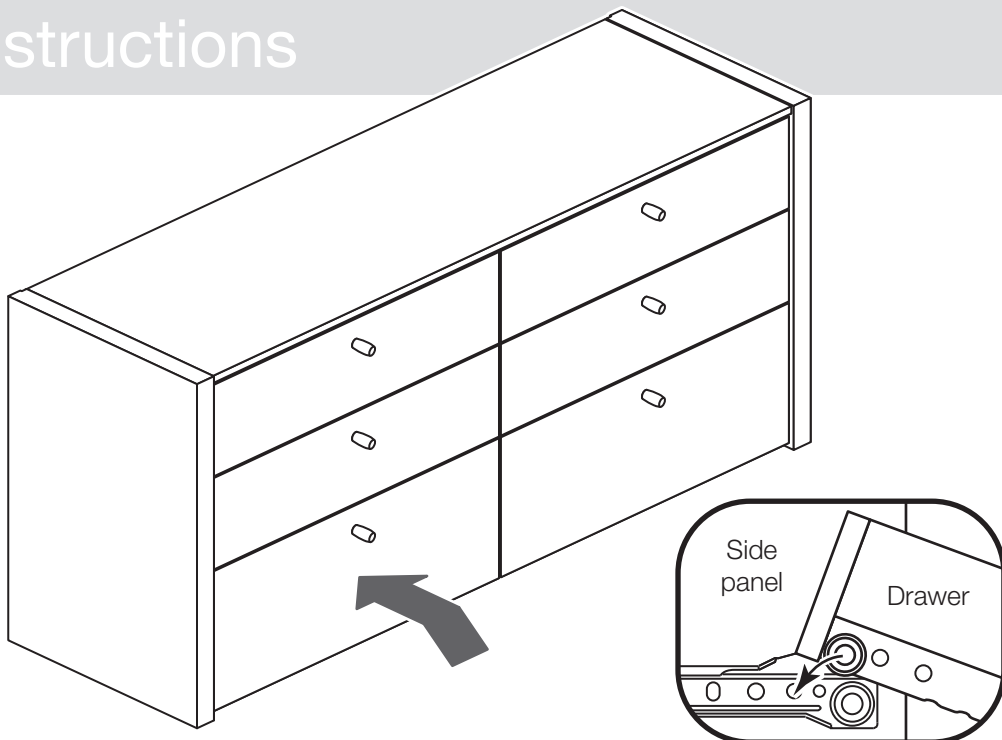
Warning: The unit is heavy. Lift with care.

Assembly Instructions

Step 25

Fit the drawers

Slide the wheels of the runners fitted to the drawers, over the wheels of the runners fitted to the side panels and push the drawers into position.



Step 26

Fit the overbalance protector kit

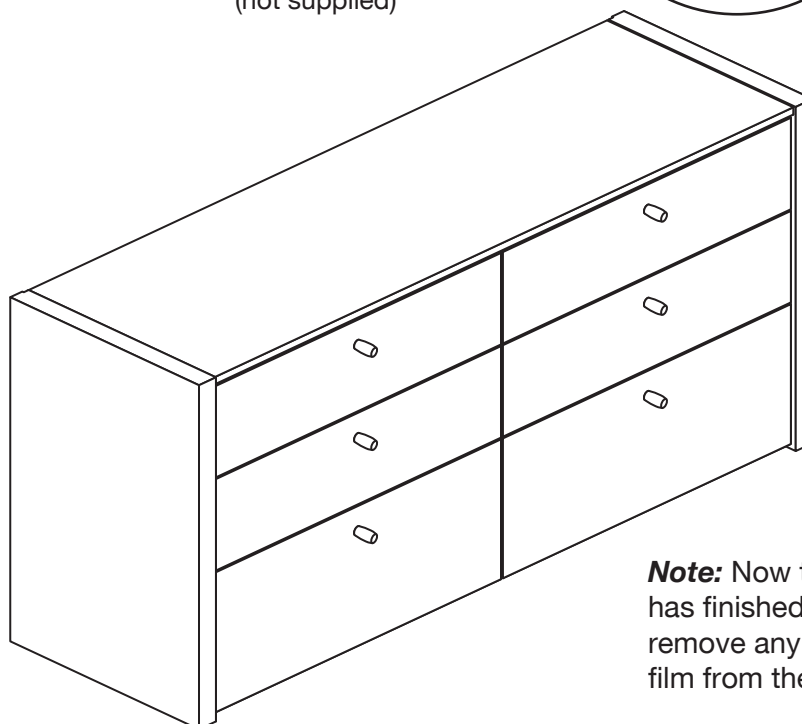
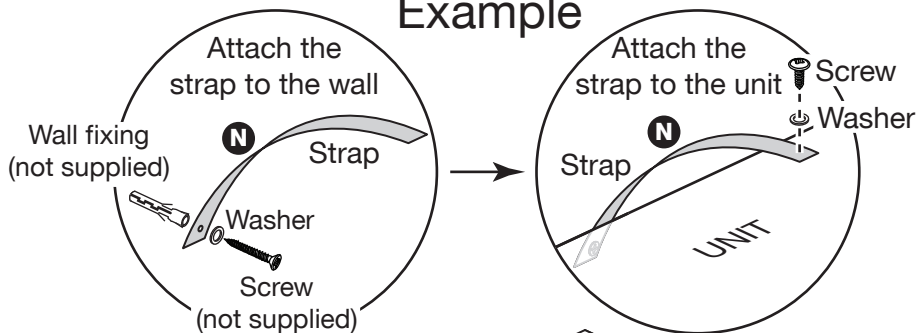
To prevent possible overbalancing we recommend that this unit is secured to a suitable wall by fitting of the overbalance protector kit **N** to the unit, or an alternative fixing method of your choice.

Wall fixings are not supplied as they will need to suit the wall type.

Note: Take care when drilling the wall that you do not drill into any pipes, wires etc. If in doubt, consult an expert.

Assembly is complete

Example



Note: Now the assembly has finished you can remove any protective film from the panels.

If you need help or have damaged or missing parts, call the Customer Helpline: 08456 400800 and quote the reference numbers on the component pages.

Argos Ltd, 489-499 Avebury Boulevard, Central Milton Keynes, MK9 2NW