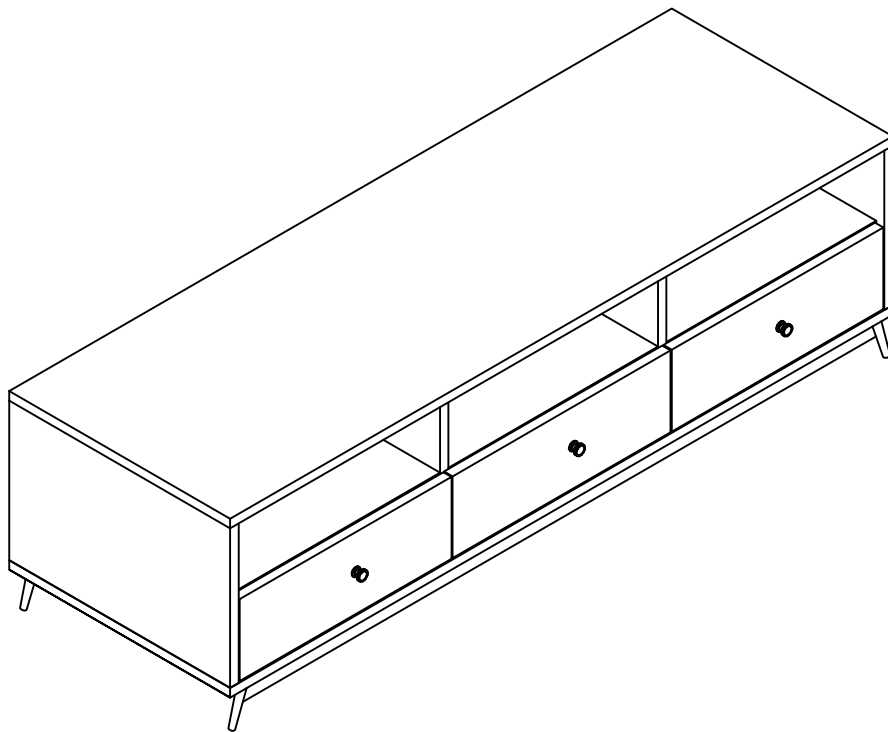


Foley 3 Drawer TV Unit

Assembly Instructions - Please keep for future reference

360/3679



Dimensions

Width - 120cm

Depth - 40cm

Height - 40cm

Important - Please read these instructions fully before starting assembly

If you need help or have damaged or missing parts, call the **Customer Helpline: 0345 6400 800**



Safety and Care Advice

Important – Please read these instructions fully before starting assembly

Check you have all the components and tools listed on pages 2 and 3.

Remove all fittings from the plastic bags and separate them into their groups.

Keep children and animals away from the work area, small parts could choke if swallowed. Make sure you have enough space to layout the parts before starting.

Assemble the item as close to its final position (in the same room) as possible.

Assemble on a soft level surface to avoid damaging the unit or your floor.

Assembly requires 2 people.

Do not fully tighten bolts until the whole bed is assembled.

Do not overtighten the nuts to avoid causing damage to the threads.



We do not recommend the use of power drill/drivers **for inserting screws,**

as this could damage the unit. Only use hand screwdrivers and Allen keys.

Dispose of all packaging carefully and responsibly.

Solid wood / Real wood veneers

This product has been finished using natural materials. As a living material, you may notice some variation in the grain and colour shade between the different components.

Unlike a synthetic or man-made material which has a uniform finish, a feature of natural wood is its variation in grain and colour. We wish to reassure you that this is quite normal and is not the result of any manufacturing fault.

Where sheets of wood are joined together, a line may be detected. Again, this is normal and is not an imperfection.

The natural finish should be cared for by the periodic application of a good quality 'wax' based domestic furniture polish (Not silicone!!). Occasional / small spills should be removed immediately using a damp cloth.

Do not allow hot articles to come into contact with the surface, as damage will occur!

Care and maintenance

Only clean using a damp cloth and mild detergent, do not use bleach or abrasive cleaners.

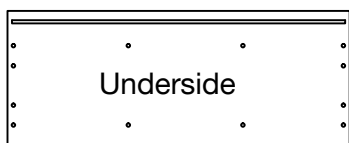
From time to time check that there are no loose screws on this unit.

This product should not be discarded with household waste. Take to your local authority waste disposal centre.

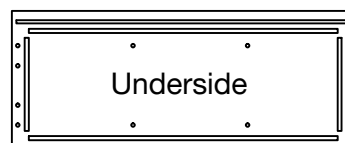
Components - Parts

If you have damaged or missing components.
call the **Customer Helpline**: 0345 6400 800

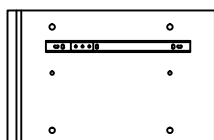
Please check you have all the parts listed below



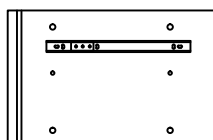
1 Top panel x 1
(120x40x1.5cm)



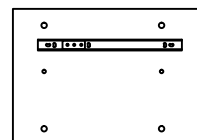
2 Base panel x 2
(120x40x7.5cm)



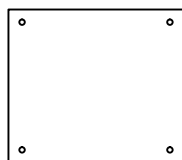
3 Side panel (right) x 2
(25x40x1.5cm)



4 Side panel(left) x 1
(25x40x1.5cm)



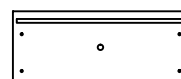
5 Divider x 2
(25x37x1.5cm)



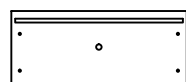
6 Shelf x 3
(38x37x1.5cm)



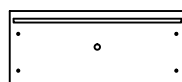
7 Back Panel x 1
(118x25.8x0.3cm)



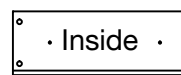
8 Drawer front (right) x 1
(38.2x13x1.5cm)



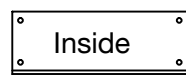
9 Drawer front (middle) x 1
(39.2x13x1.5cm)



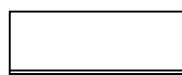
10 Drawer front (left) x 1
(38.2x13x1.5cm)



11 Drawer side (right) x 3
(30x10x1.2cm)



12 Drawer side (left) x 3
(30x10x1.2cm)



13 Drawer back x 3
(33.4x10x1.2cm)



14 Drawer base x 3
(29.4x34.2x0.3cm)



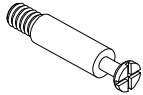


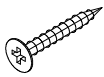

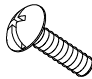







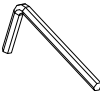
15 Feet x 4
(3.8x3.8x12cm)

Components - Fittings

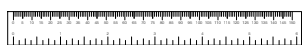
If you have damaged or missing components, call the **Customer Helpline: 0345 6400 800**

Please check you have all the fittings listed below

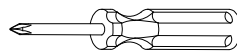
Note: The quantities below are the correct amount to complete the assembly. In some cases more fittings may be supplied than are required.

<p>A</p>  <p>Metal dowel x 40</p>	<p>B</p>  <p>15 X 20mm Locking nut x 28</p>	<p>C</p>  <p>M6 x 30mm Wooden dowel x 8</p>
<p>D</p>  <p>30mm Wood screw x 12</p>	<p>E</p>  <p>12 x 10mm Locking nut x 12</p>	<p>F</p>  <p>M4 x 16mm screw x 3</p>
<p>G</p>  <p>Drawer handle x 3</p>	<p>H</p>  <p>M6 x 50mm Allen screw x 8</p>	<p>J</p>  <p>Spring washer x 8</p>
<p>K</p>  <p>Plain washer x 8</p>	<p>L</p>  <p>12mm screw x 24</p>	<p>M</p>  <p>Plastic bracket x 8</p>
<p>N</p>  <p>14mm screw x 8</p>	<p>P</p>  <p>Allen key x 1</p>	

Tools required

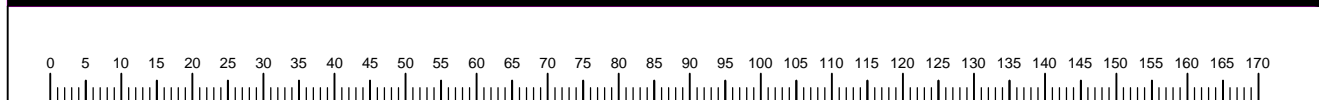


Ruler/tape measure



Phillips screwdriver
(Not supplied)

Ruler - Use this ruler to help correctly identify the screws



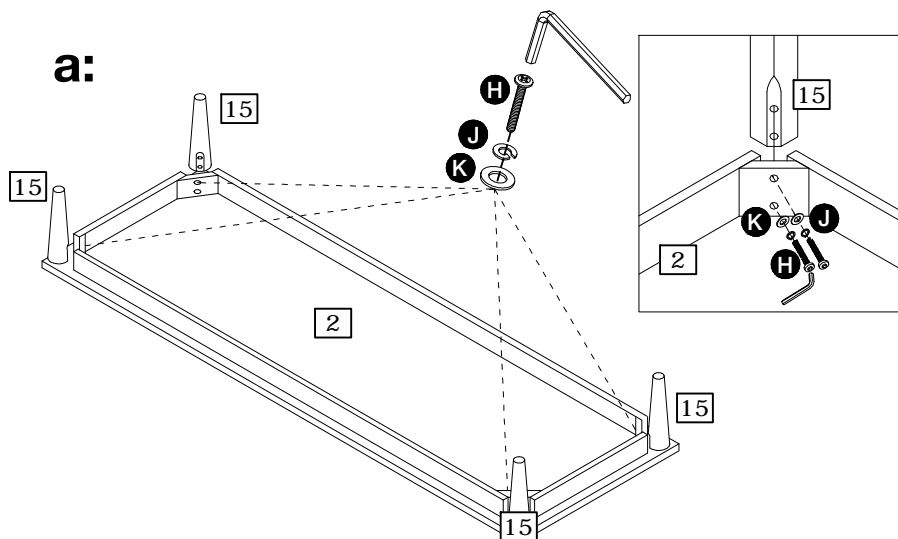
Assembly Instructions

Step 1

Preparing panels

a: Carefully place base panel **2** upside down onto the floor.

Assemble legs **15** to base panel **2** using fixings **H**, **J** and **K**.



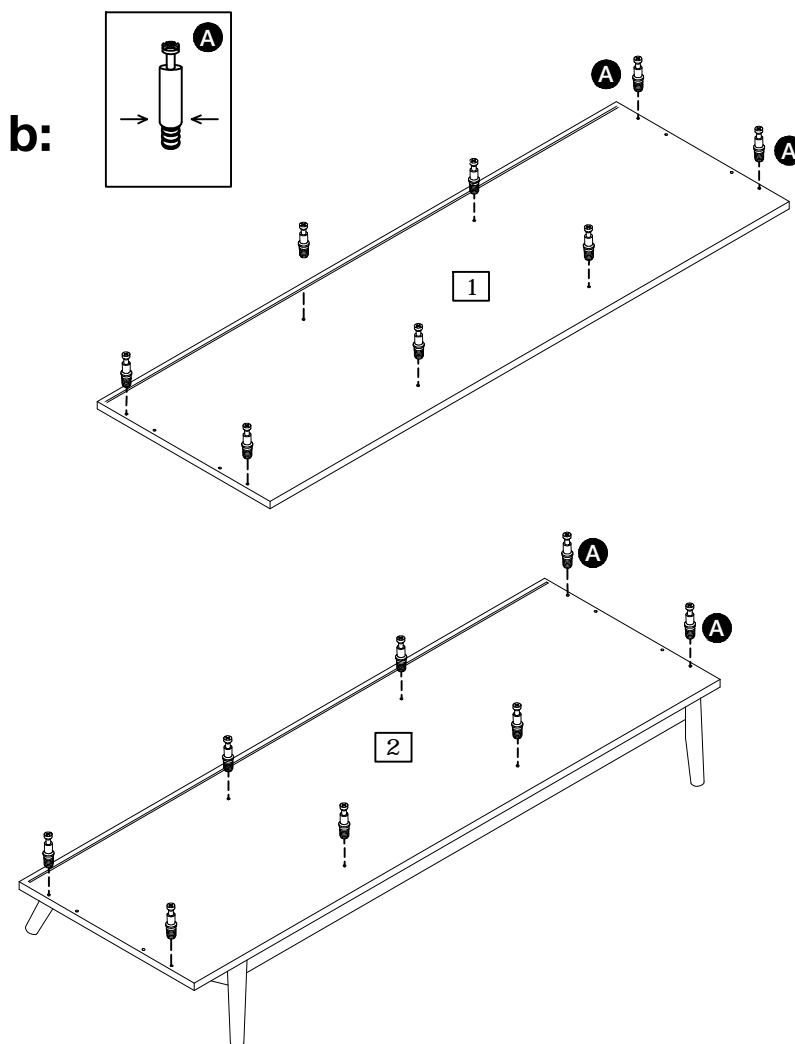
b: Turn-over base panel **2** flat onto the floor with the fixing holes facing up.

Repeat for top panel **1**.

Screw metal dowels **A** into both panels **1** and **2** as shown.

Note: Screw metal dowels as far as shown.

Do not overtighten.



Assembly Instructions

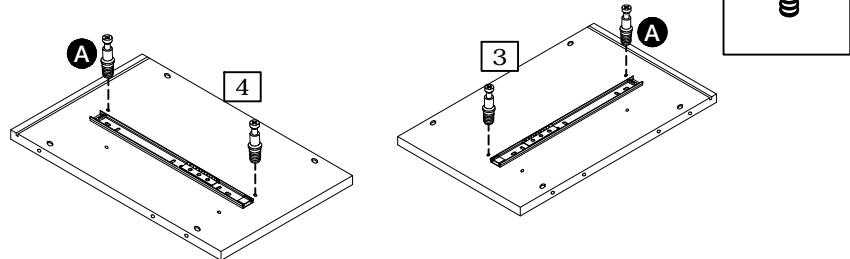
Step 2

Preparing panels

a: Place side panels **3** and **4** flat on the floor.

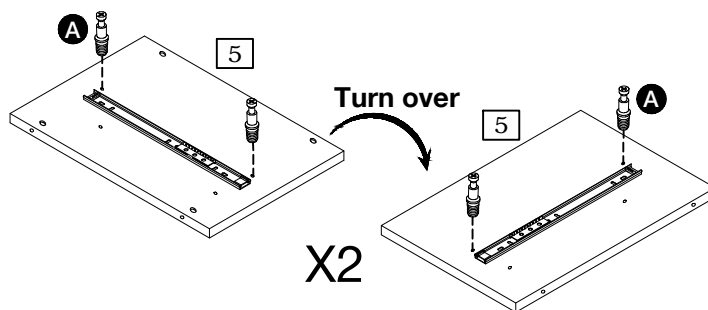
Screw metal dowels **A** into the side panels as shown.

a:



b: Screw metal dowels **A** into both sides of dividers **5**.

b:



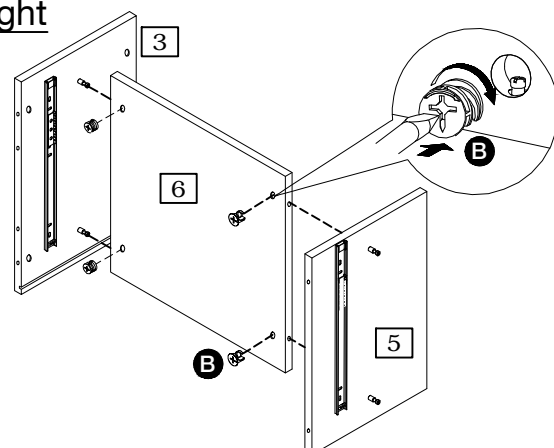
Step 3

Assembling shelf

Locate shelf **6** onto right side panel **3** and secure from the underside using locking nuts **B**.

Assemble divider **5** onto the other side of shelf **6** and secure using locking nuts **B**.

Right



Assembly Instructions

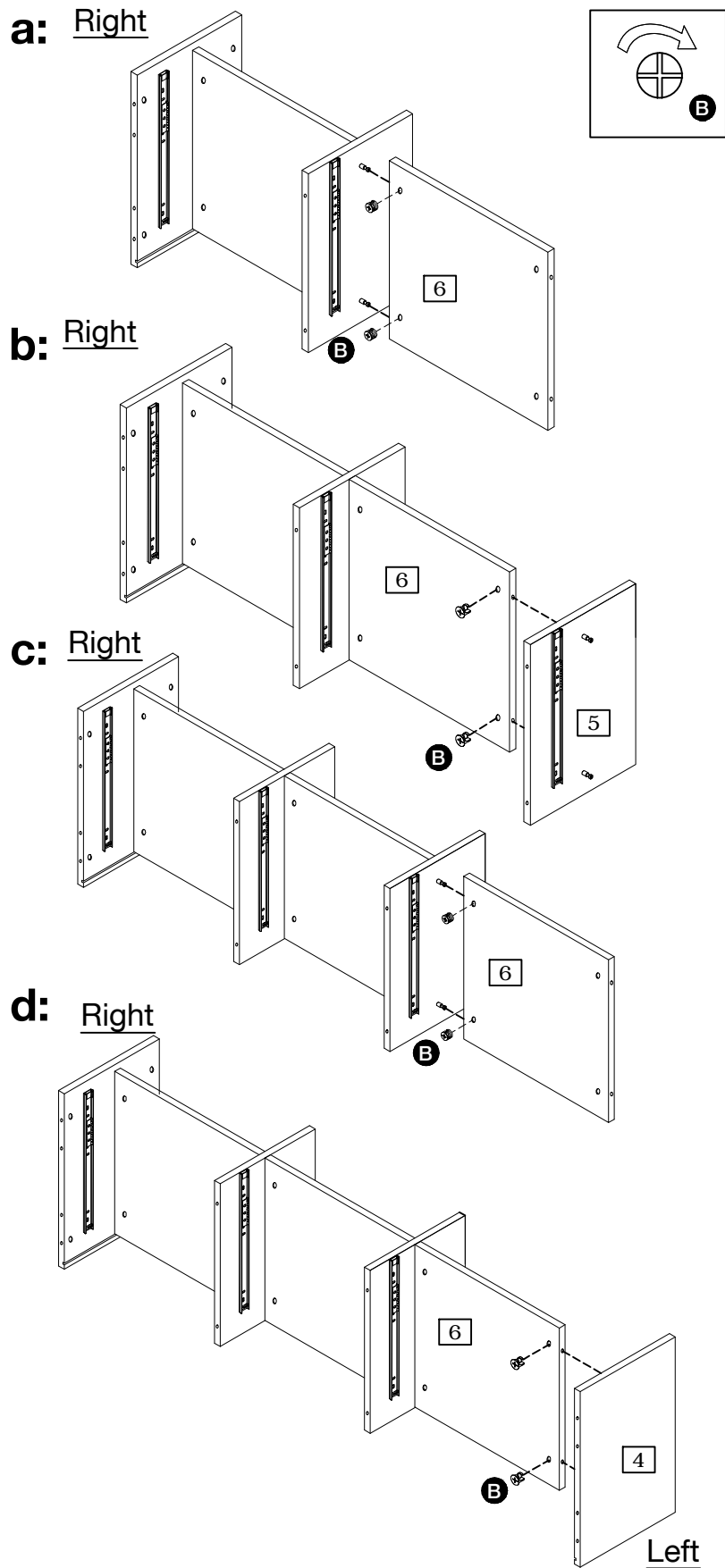
Step 4

a: Repeat step 3 procedure to assemble middle shelf **6**.

b: Repeat to assemble divider **5** onto shelf **6** as shown.

c: Repeat again for the last shelf **6**.

d: Repeat again to assemble left side panel **4** onto shelf **6**.



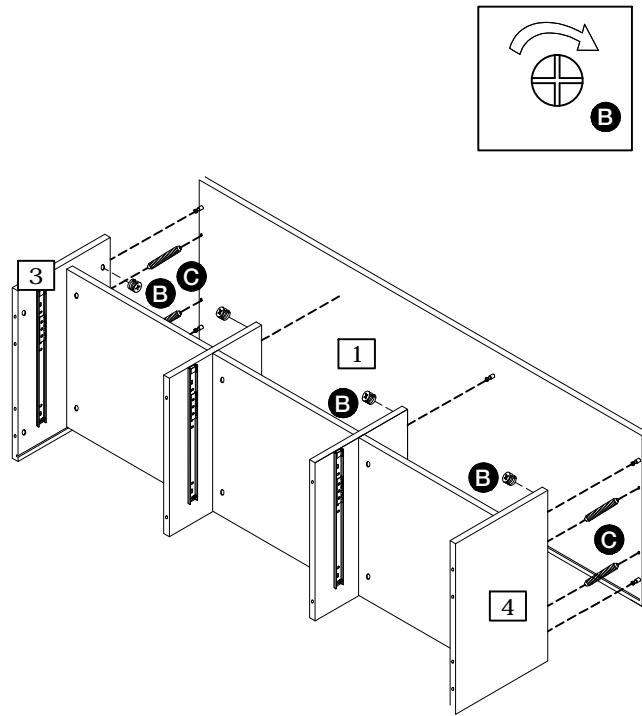
Assembly Instructions

Step 5

Assembling top

Insert wood dowels **C** into the top edges of side panels **3** and **4**.

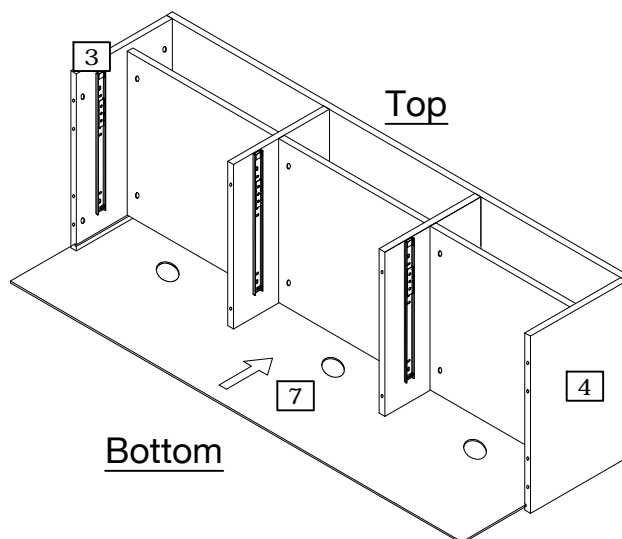
Locate top panel **1** into position and secure using locking nuts **B** in the location shown.



Step 6

Assembling back panel

Ensuring the 3 cable access holes will be at the top, carefully slide back panel **7** into the grooves in side panels **3** and **4**.



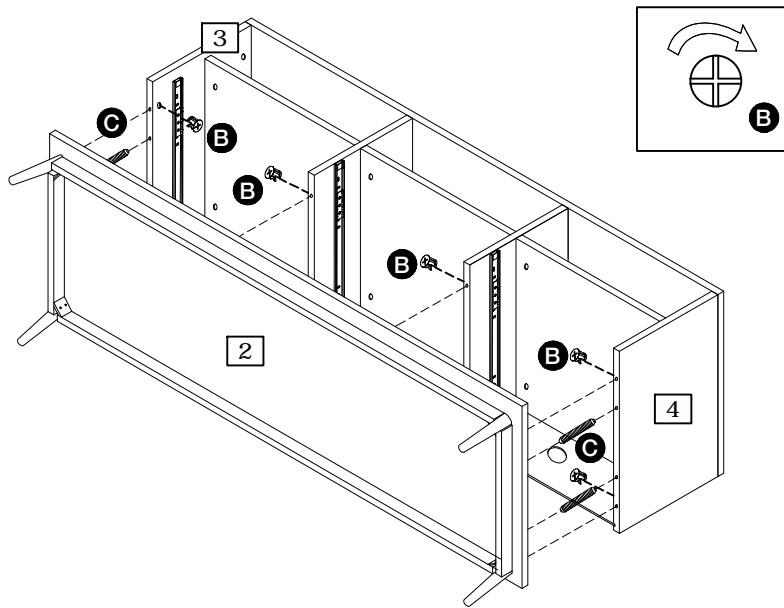
Assembly Instructions

Step 7

Assembling base

Insert wood dowels **C** into the bottom edges of side panels **3** and **4**.

Locate base panel **2** into position and secure using locking nuts **B** in the locations shown.



Step 8

Assembling drawers

a: Assemble left and right drawer side panels **11** and **12** together with back panel **13** using screws **D**.

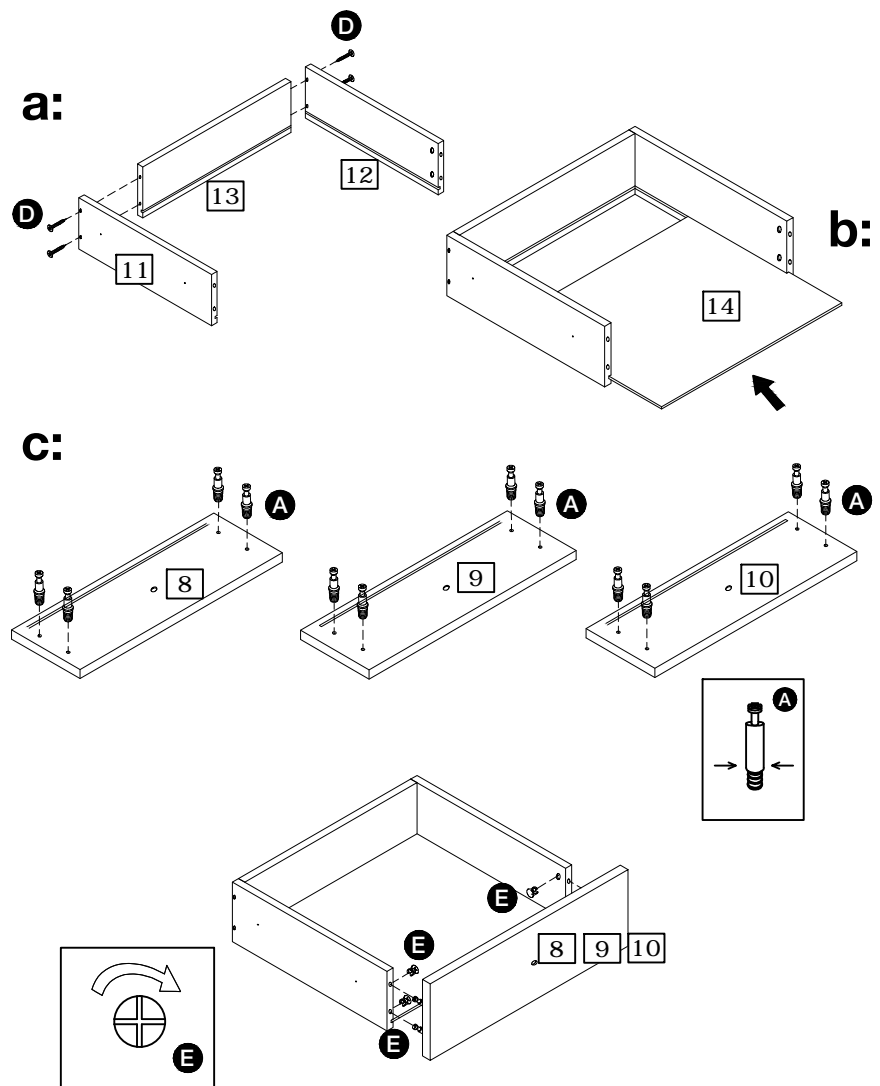
b: Slide drawer base **14** into the grooves as shown.

Repeat for all 3 drawers.

c: Place drawer fronts **8**, **9** and **10** flat on the floor.

Screw metal dowels **A** into each drawer front as shown.

Assemble drawer fronts to drawer bodies and secure using locking nuts **E**.



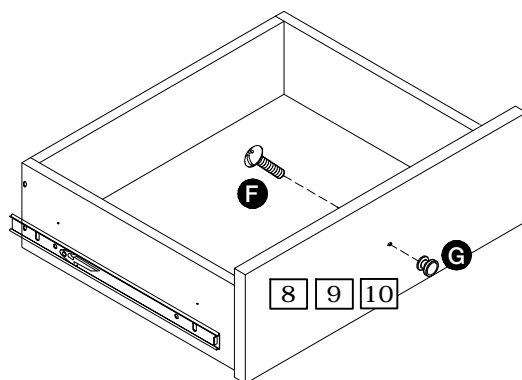
Assembly Instructions

Step 9

Assembling drawer handles

Assemble drawer handles

G to drawer fronts **8**, **9** and **10** using screws **F**.



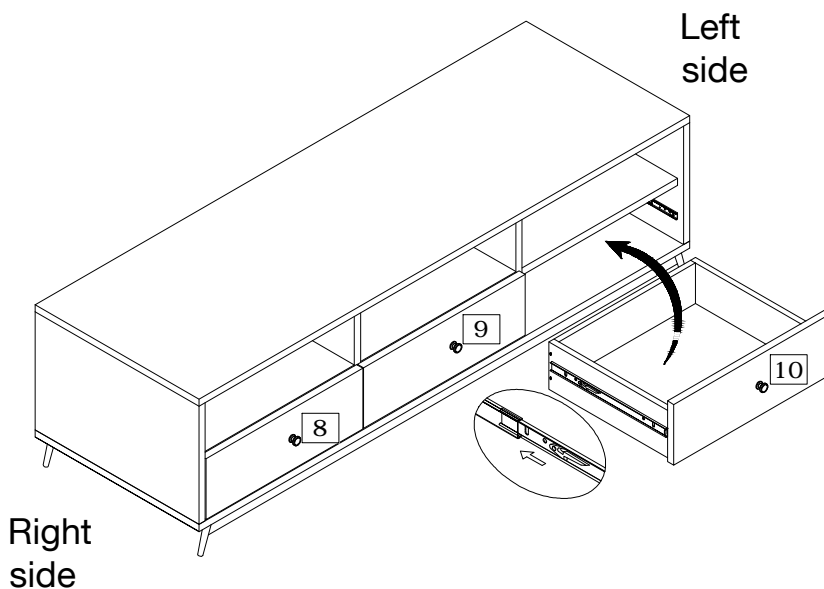
Step 10

Fitting drawers

Important: Drawer fronts **8**, **9** and **10** are different.

Take care to ensure they are correctly located as shown.

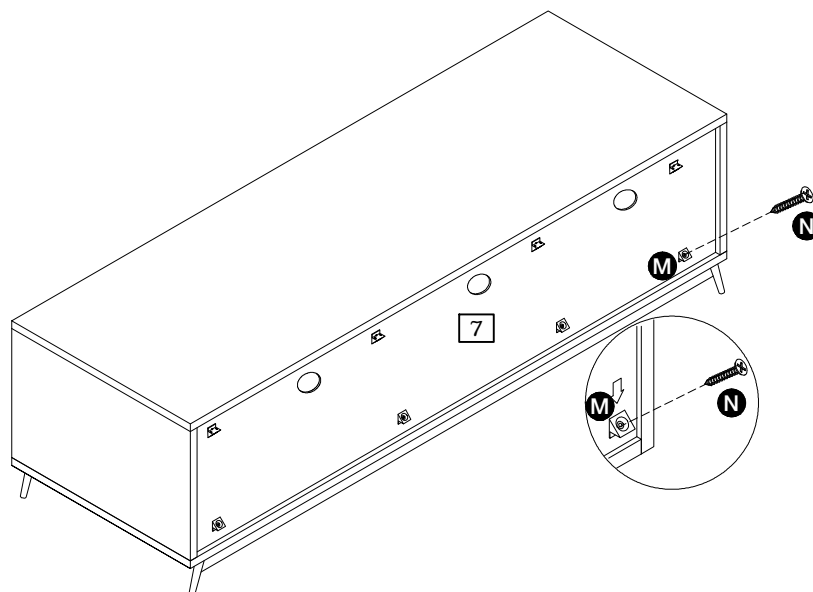
Engage the drawer runners and push gently inwards until they click into place.



Assembly Instructions

Step 11

Fit plastic brackets **M** around the edge of back panel **7** using screws **N**.



Assembly is complete.

If you need help or have damaged or missing parts, call the **Customer Helpline: 0345 6400 800**
Home Retail Group, 489-499 Avebury Boulevard, Saxon Gate West, Central Milton Keynes, MK9 2NW