

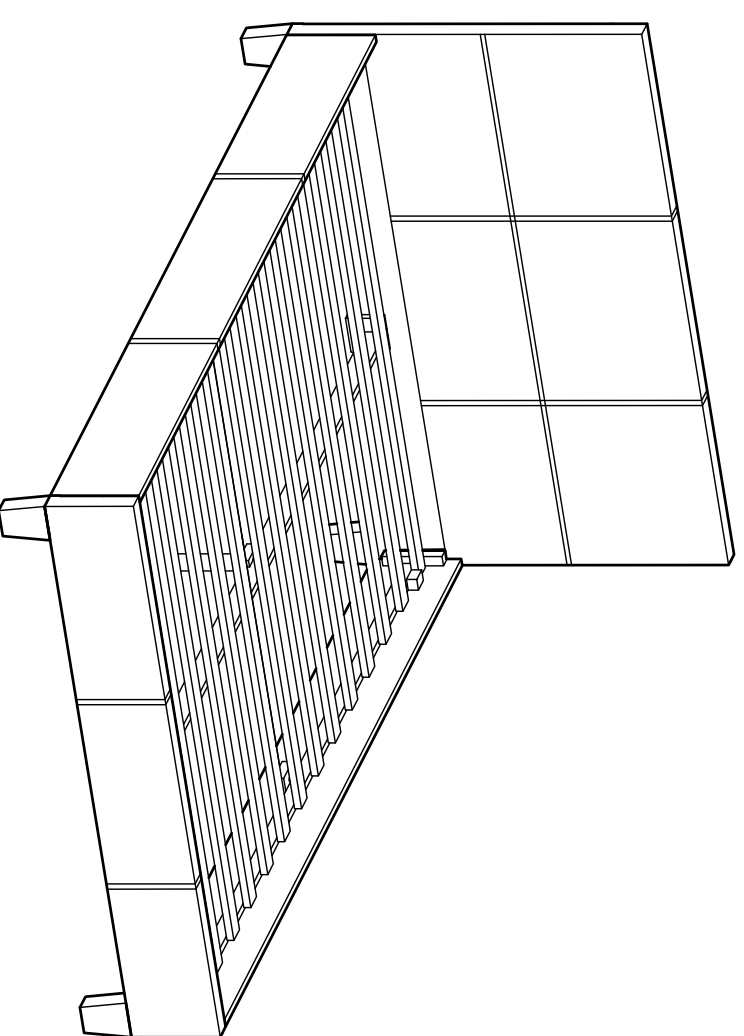
Constance 4FT

Assembly Instructions - Please keep for future reference

Cat.no 346 / 1756

Cat.no 339 / 7806

Cat.no 360 / 1303



Dimension

Width - 125cm

Length - 203cm

Height - 87cm

Important - Please read these instructions fully before starting assembly

If you need help or have damaged or missing parts, call the **Customer Helpline: Argos = 0345 640 3030**



Safety and Care Advice

Important - Please read these instructions fully before starting assembly

- Check you have all the components and tools listed on pages 2 and 3.
- Remove all fittings from the plastic bags and separate them into their groups.
- Keep children and animals away from the work area, small parts could choke if swallowed.
- Make sure you have enough space to layout the parts before starting.
- Do not stand or put weight on the product, this could cause damage.
- Assemble the item as close to its final position (in the same room) as possible.
- Assemble on a soft level surface to avoid damaging the unit or your floor.
- Parts of the assembly will be easier with 2 people.
- We do not recommend the use of power drill/drivers for **inserting bolts** as this could damage the unit. Only use hand screwdrivers.
- Dispose of all packaging carefully and responsibly.
- Do not tighten all bolts until bed is fully assembled.



inserting bolts

Care and maintenance

- Only clean using a damp cloth and mild detergent, do not use bleach or abrasive cleaners.
- From time to time check that there are no loose bolts on this unit.
- This product should not be discarded with household waste. Take to your local authority waste disposal centre.

Handy Hints

- Assemble all parts and bolts loosely during assembly, only once the product is complete should you fully tighten the bolts.
- Regularly check and ensure that all bolts and fittings are tighten properly.

Note: if required the next page can be cut out and used as reference throughout the assembly. Keep this page with these instructions for future reference.

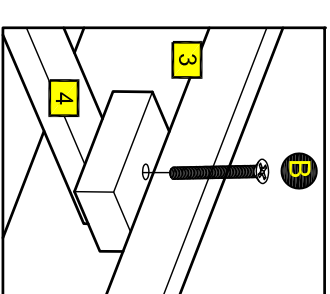
Assembly Instructions

Step 5

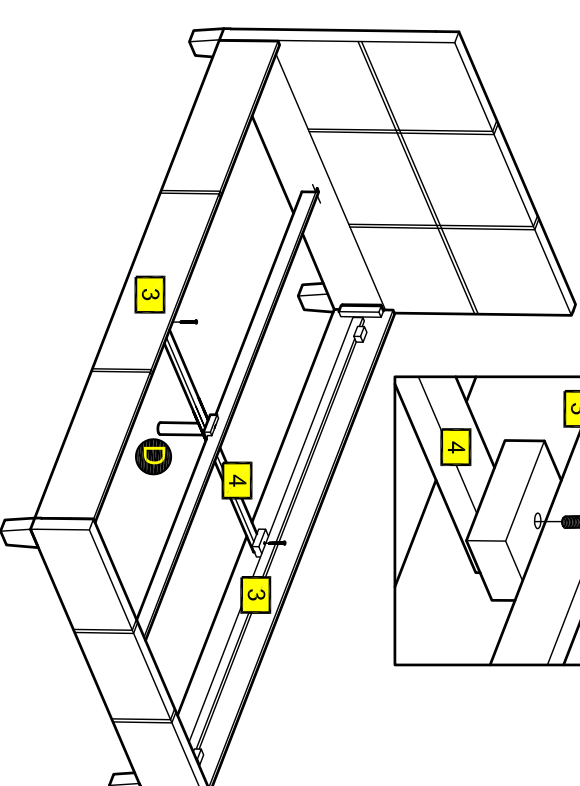
Attaching support bar 2

Insert Bolt **D** through central hole on Side rail **3** and through end holes.

Make the same for the other side.



Now secure tightly in a clockwise direction the Support Leg **D**.



Step 6

Attaching slats

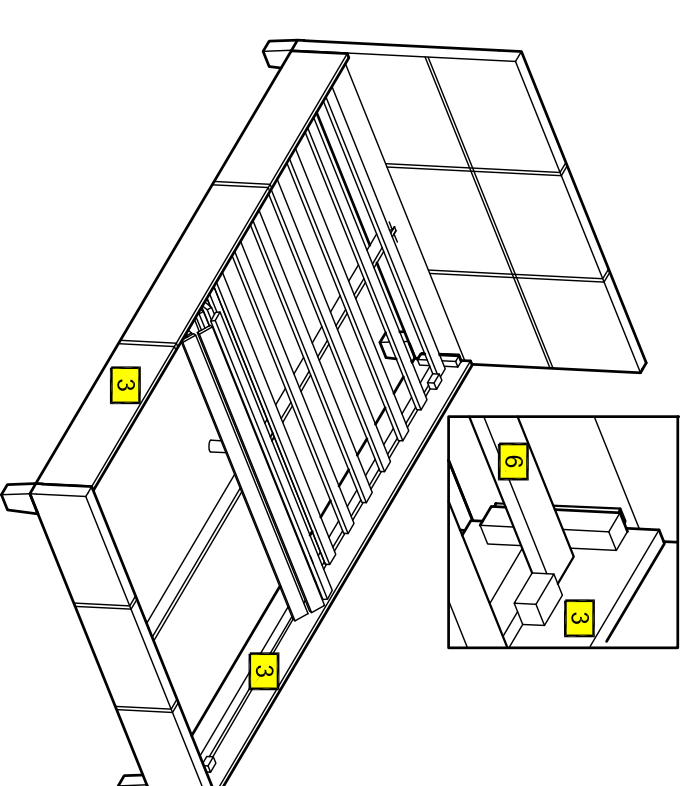
For this stage requires two people.

Roll the Slats over the Side **3** and connect slats over the wood elements that are attached on both sides of the Side rails **3**.

Slats to be rolled out with staples on the underside.

Repeat operation for all 4 corners.

Assembly is now complete.

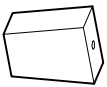
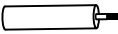


If you need help or have damaged or missing parts, call the **Customer Helpline: Argos = 0345 640 3030**

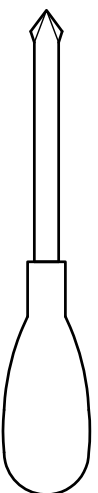
Components - Fittings

Please check you have all the fittings listed below

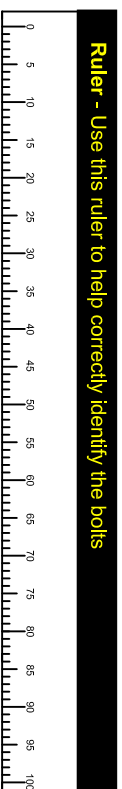
Note: the quantities below are the correct amount to complete the assembly. In some cases more fittings may be supplied than are required.

A M8x70 mm Bolt x 4	B M6x45 mm Bolt x 2	C Leg x 4	
D Support leg x 1			

Tools required



Screwdriver (Not supplied)



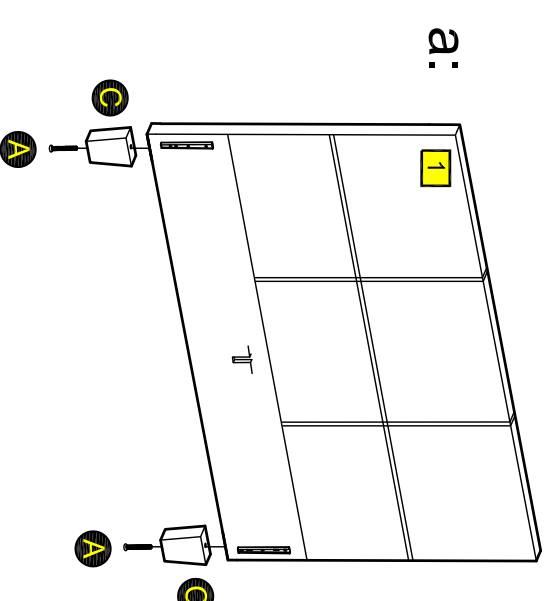
Ruler - Use this ruler to help correctly identify the bolts

Assembly Instructions

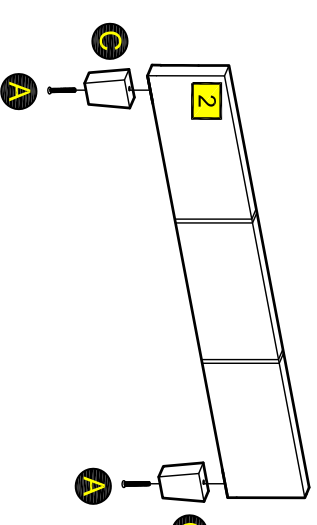
Step 1

Attaching legs

a: Insert Legs **C** into Headboard **1** using Bolt **A**.



b:



b: Insert Legs **C** into Footboard **2** using Bolt **A**.

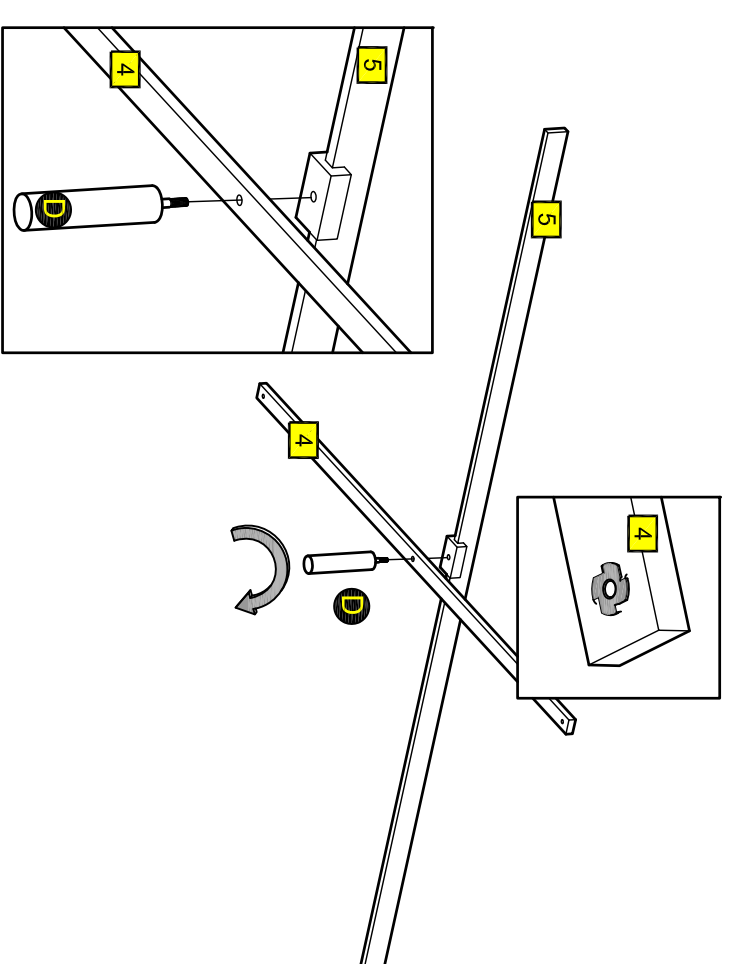
Step 2

Attaching support leg

Insert Support leg **D** in middle of Central support bar **4** and **5**, and secure tightly in a clockwise direction.

Central support bar **4** attaches with metal nut down.

It's important that the Support leg **D** is hard tight only.



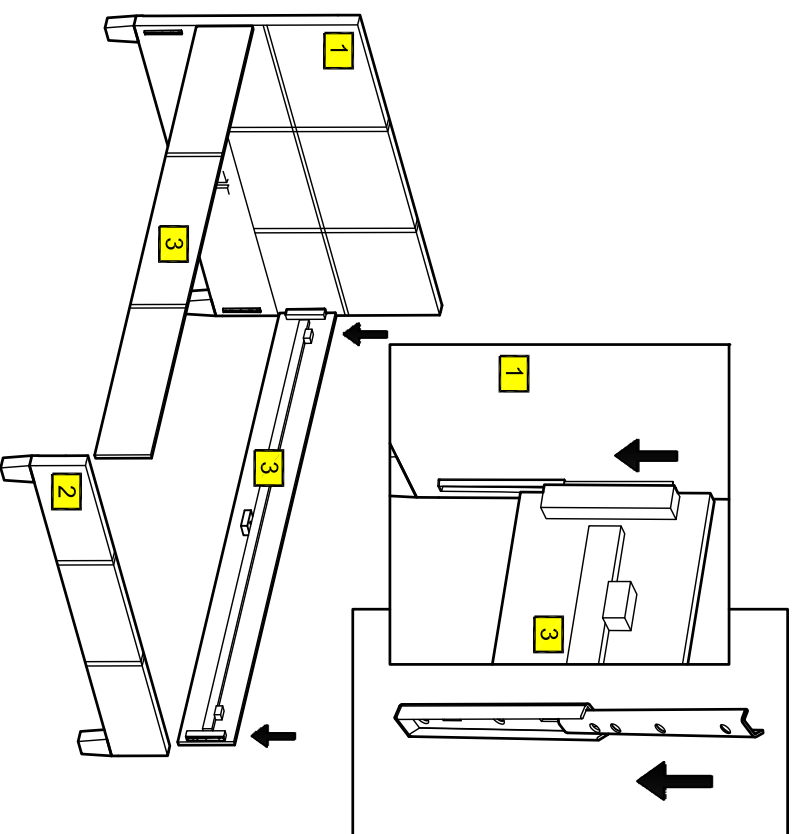
If you need help or have damaged or missing parts, call the **Customer Helpline: Argos = 0345 640 3030**

Step 3

Attaching side rails

Connect Side rails **3** with Headboard **1** and Footboard **2**, as seen in the image.

2 person assembly required.

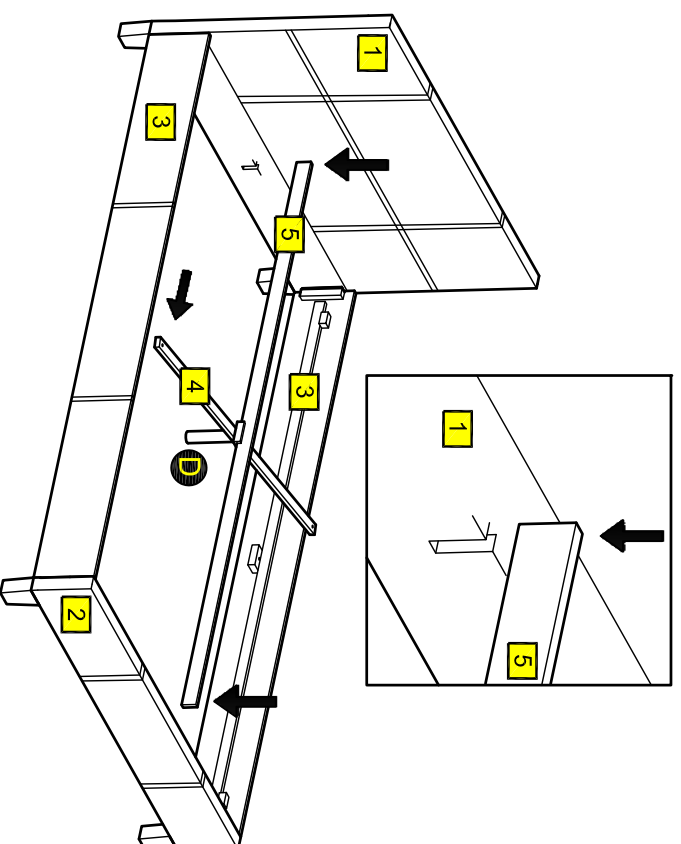


Step 4

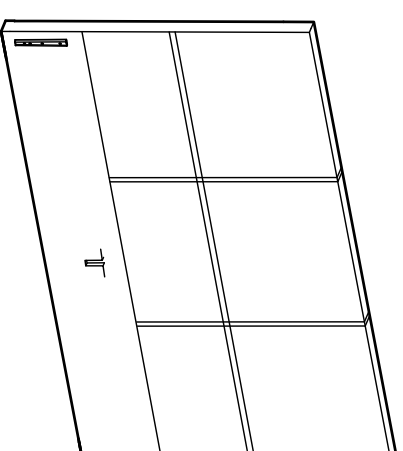
Attaching support bar

Enter the ensemble format from Central support bar **4**, **5** and Support leg **D**.

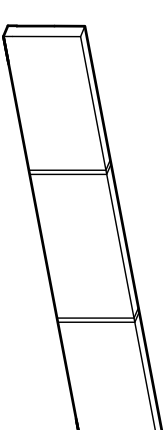
Rotate and match the Central support bar **4** under central wood element from the Side rail **3**.



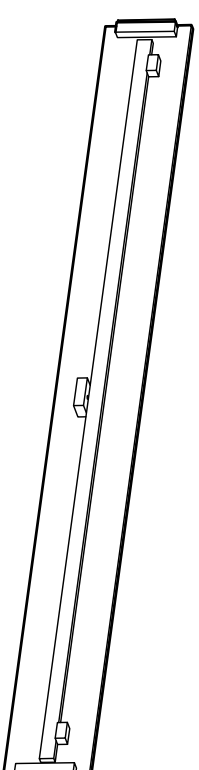
Please check you have all the parts listed below



1 Headboard (125x76cm)



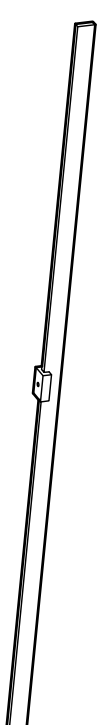
2 Footboard (125x20cm)



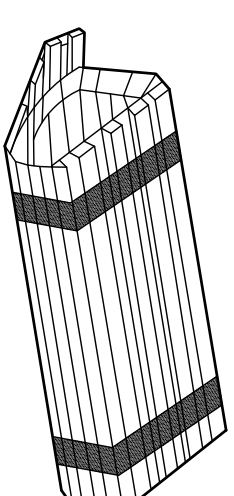
3 Side rail x 2 (193x20cm)



4 Central support bar (121x3.2cm)



5 Central support bar (192.4x4.5cm)



6 Slats (120.5x4.3cm)

If you need help or have damaged or missing parts, call the **Customer Helpline: Argos = 0345 640 3030**

