

Sleigh

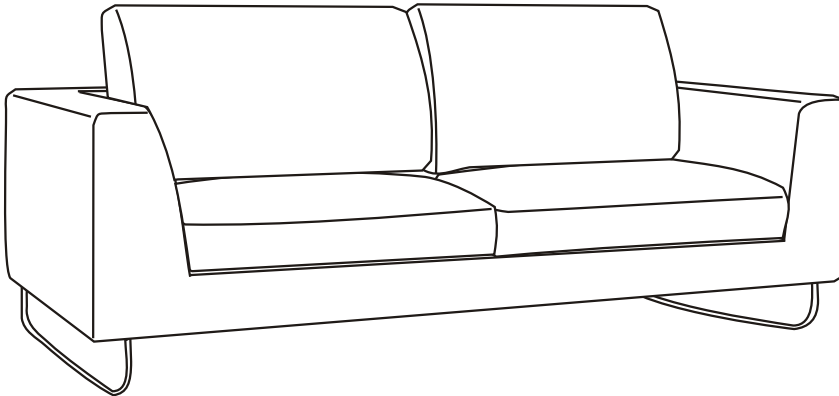
Assembly Instructions - Please keep for future reference

LARGE SOFA

Dimensions

Width - 215cm
Depth - 92cm
Height - 80cm

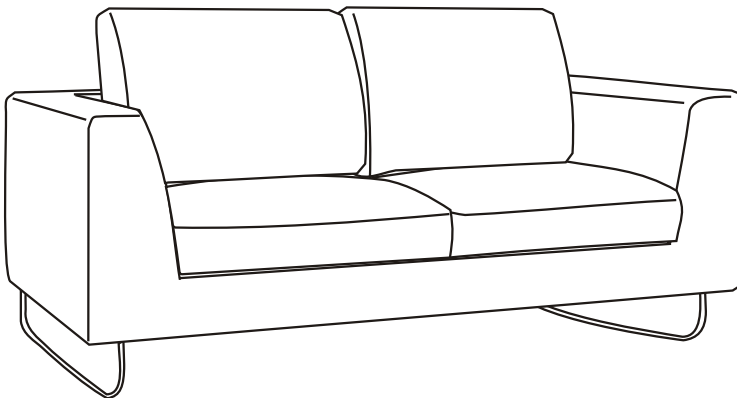
Tools required



MIDI SOFA

Dimensions

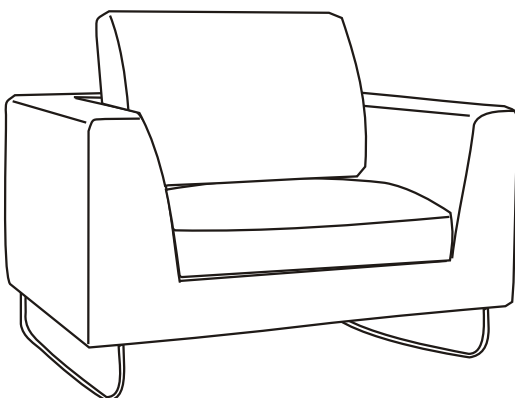
Width - 191cm
Depth - 92cm
Height - 80cm



ARMCHAIR

Dimensions

Width - 95cm
Depth - 92cm
Height - 80cm



Important - Please read these instructions before assembly

If you need help or have damaged or missing parts, email:
customerservices@habitat.co.uk or call: **0844 499 4686**

habitat 

Safety and Care Advice

Important - Please read these instructions fully before starting assembly

Check you have all the components. Keep children and animals away from the work area, small parts could choke if swallowed. Make sure you have enough space before starting Assemble the item as close to its final position (in the same room) as possible.

Do not place furniture directly in front of radiators, fires or any other source of heat.



Parts of the assembly will be easier with 2 people Assemble on a soft level surface to avoid damaging the item.



We do not recommend the use of power drivers for inserting screws as this could damage the unit.

Only use hand screw drivers. Dispose of all packaging carefully and responsibly.

General care and maintenance

Upholstery should be regularly vacuum cleaned. Using the soft brush attachment.

We recommend that stains and marks are removed by a specialist cleaning company.

- Back cushions should be vigorously „plumped” up and turned daily to even out the fabric wear.
- Care should be taken that furniture is not exposed to direct or strong sunlight which will accelerate fabric fading. Either protect by drawing curtains to prevent exposure, or move the furniture regularly to even out exposure.
- Prevent children or animals from climbing or jumping on the furniture. Sharp buckles, claws, toys etc, can easily snag and produce tears & cuts in the fabric. Premature wear if not frame failure may also result from people sitting on or applying unnecessary pressure to arms, edges of cushions etc.

- Fabrics that have a pile, such as chenille and bouclé, may shade, show pressure marks and flatten.

- Creases may form in seat and back cushions where fillings flex. These are natural characteristics of the material, not faults.

- This short guide is intended to assist in the initial purchase of your upholstery and in ensuring that you derive maximum pleasure & satisfaction from its use thereafter.

- Please take the utmost care of your upholstery, and note that the manufacturer accepts no responsibility for actions taken which do not conform to our guidelines, nor for defects resulting from misuse or abuse of this furniture.

General information

If for any reason you should have problems with your Habitat product, please contact the store from which you purchased it.

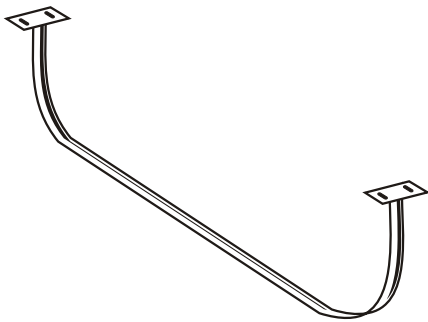
Please retain your receipt as proof of purchase. If you have any comments or suggestions regarding this product, assembly instructions or service

received, please contact the store or Habitat Head Office via its web site: www.habitat.co.uk or write directly to: Habitat Retail Ltd. 489-499 Avebury Boulevard, Milton Keynes MK9 2NW

Components - Fittings

If you need help or have damaged or missing parts, email: customerservices@habitat.co.uk or call: **0844 499 4686**

Please check you have all the fittings listed below



A Metal legs x 2 pcs

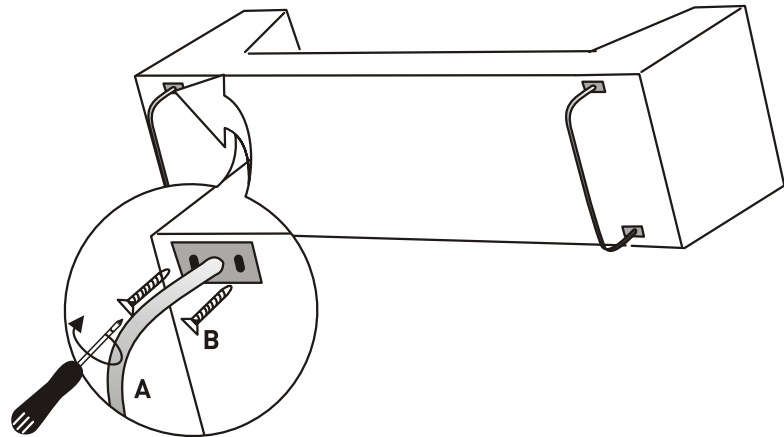
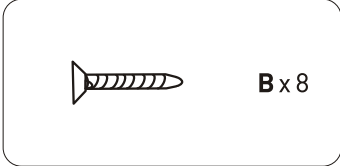
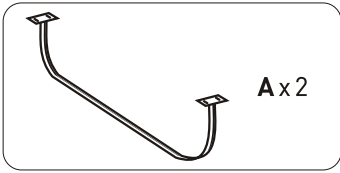


B 40 mm screws x 8 pcs

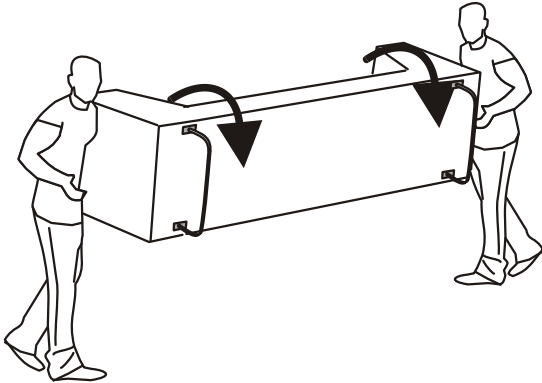
Assembly Instructions

Step 1

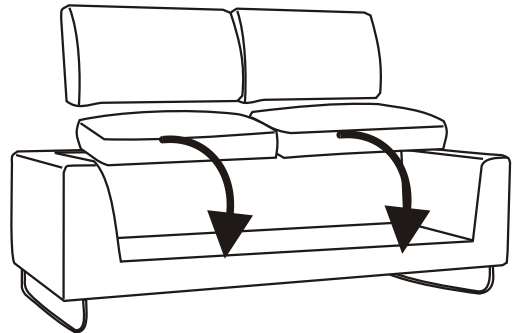
LARGE & MIDI SOFA



Step 2

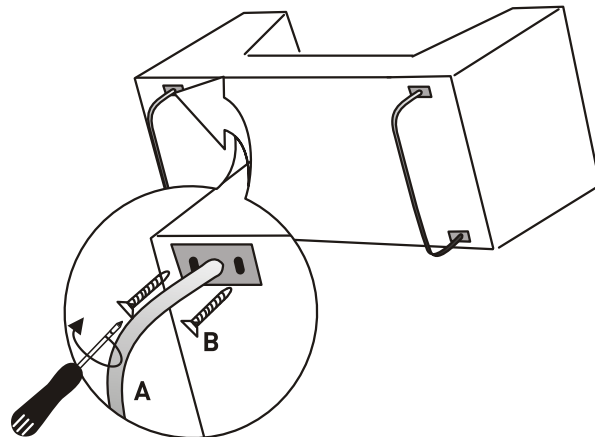
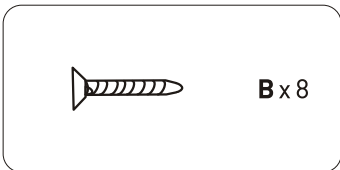
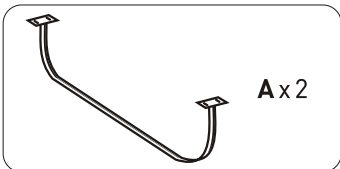


Step 3

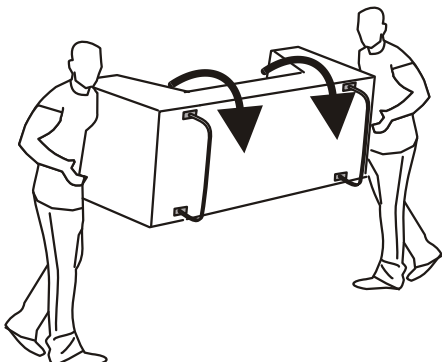


Step 1

ARMCHAIR



Step 2



Step 3

