

# GINNIE. OFFICE CHAIR

Assembly Instructions - Please keep for future reference

120853

120848

120851

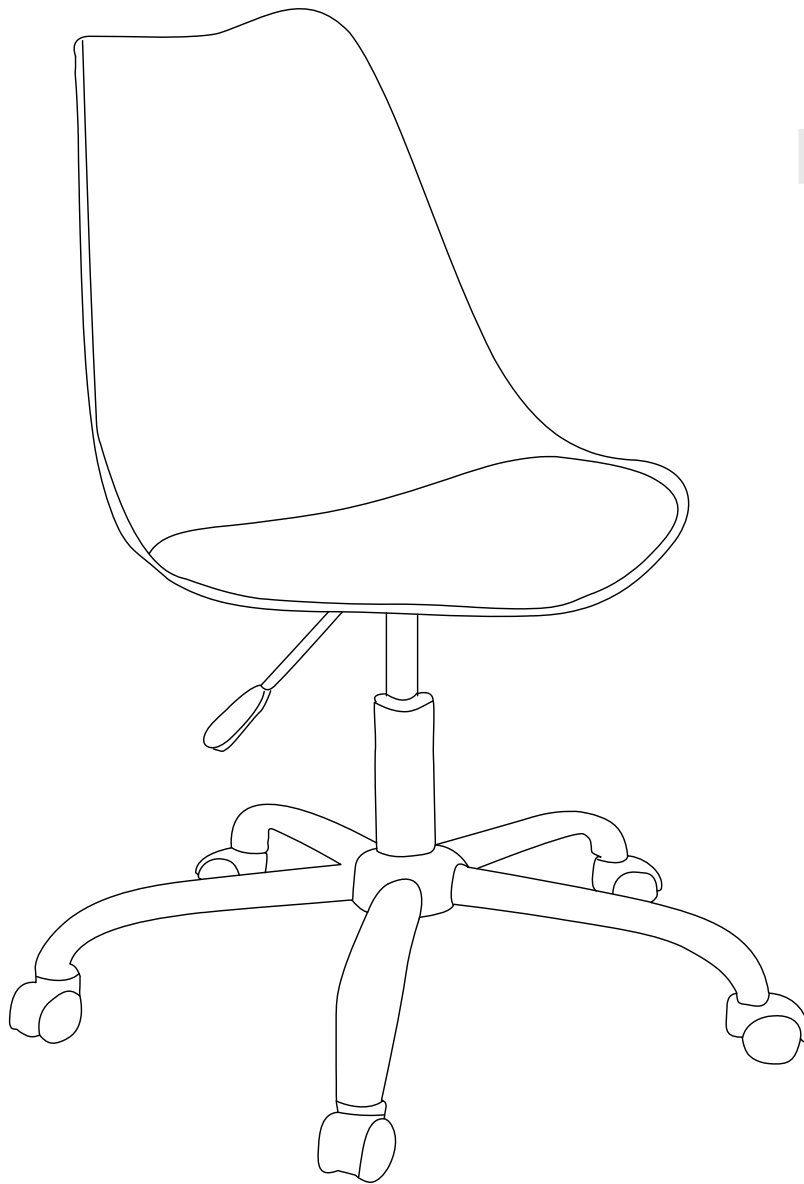
## Dimensions

Width - 48,5 cm

Depth - 53,5 cm

Height - 86-96 cm

## Tools required



25007 - 060 - Rev 2

Important-Please read these instructions before assembly

If you help or have damaged or missing parts, call the  
Customer Helpline: 0844 499 4686  
or email: [customerservices@habitat.co.uk](mailto:customerservices@habitat.co.uk)

habitat 



# Safety and Care Advice

## Important - Please read these instructions fully before starting assembly

Check you have all the components and tools listed on the front cover and pages 2 - 3.

Remove all fittings from the plastic bags and separate them into their groups.

Keep children and animals away from the work area, small parts could choke if swallowed.

Make sure you have enough space to layout the parts before starting.

Do not stand or put weight on the product, this could cause damage.

Assemble the item as close to its final position (in the same room) as possible.

Do not place furniture directly in front of radiators, fires or any other source of heat.



Assemble on a soft level surface to avoid damaging the unit or your floor.



We do not recommend the use of power drill/drivers for inserting screws, as this could damage the unit. Only use hand screwdrivers.

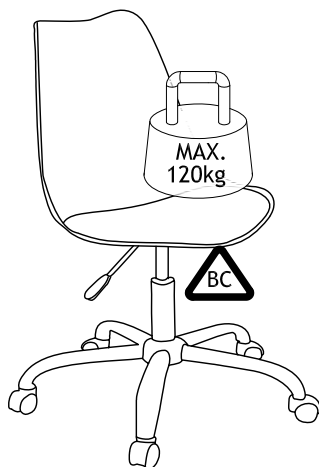
Dispose of all packaging carefully and responsibly.

## General care and maintenance

Only clean using a damp cloth and mild detergent, do not use bleach or abrasive cleaners.

From time to time check that there are no loose screws on this unit.

This product should not be discarded with household waste. Take to your local authority waste disposal centre.



## General information

If for any reason you should have problems with your Habitat product, please contact the store from which you purchased it.

Please retain your receipt as proof of purchase.

If you have any comments or suggestions regarding this product, assembly instructions or service

received, please contact the store or Habitat Head Office via its web site: [www.habitat.co.uk](http://www.habitat.co.uk) or write directly to: Habitat Retail Ltd. 489-499 Avebury Boulevard, Milton Keynes MK9 2NW

# Components - Panels

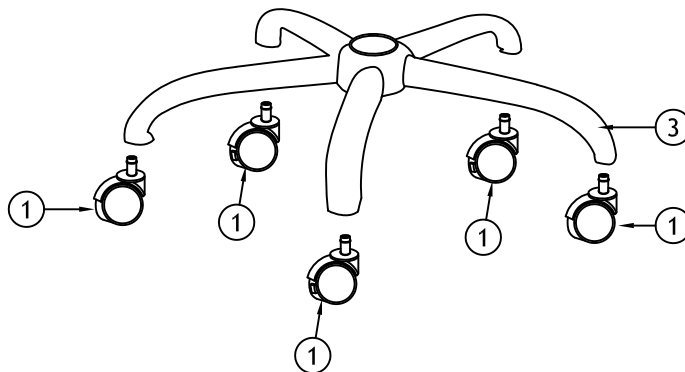
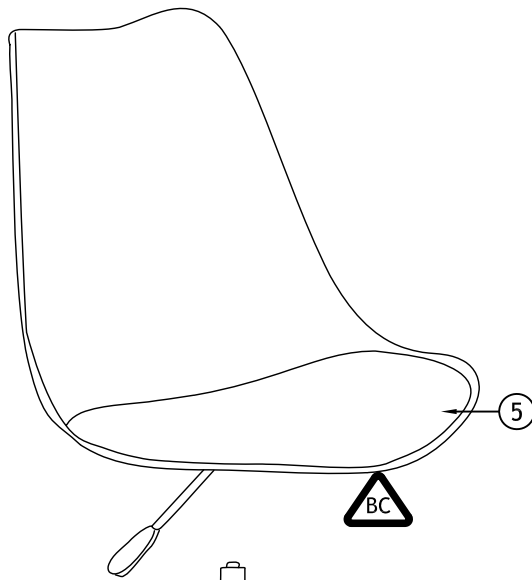
If you have damaged or missing components, call the Customer Helpline: 0844 499 4686 or email: customerservices@habitat.co.uk

Please check you have all the panels listed below



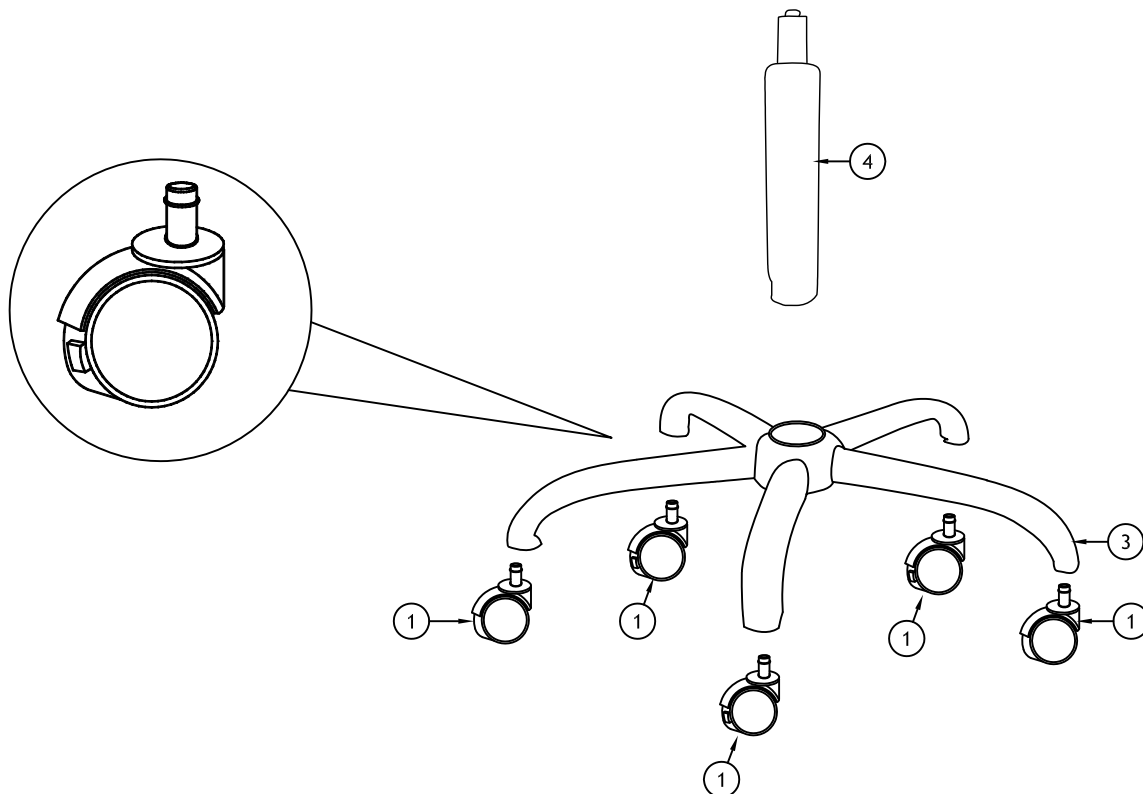
**Note:** There are 'Batch Code' labels where shown on the indicated items, these should be retained.

PART	QTY	SIZE	COLLI	✓
1	5	Ø50x65	1/1	
3	1	Ø600x122	1/1	
4	1	Ø50x255	1/1	
5	1	485x535x535	1/1	

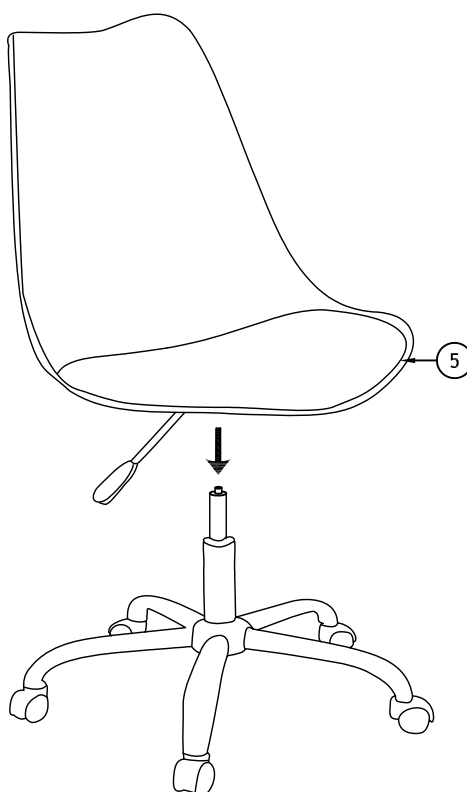


# Assembly Instruction

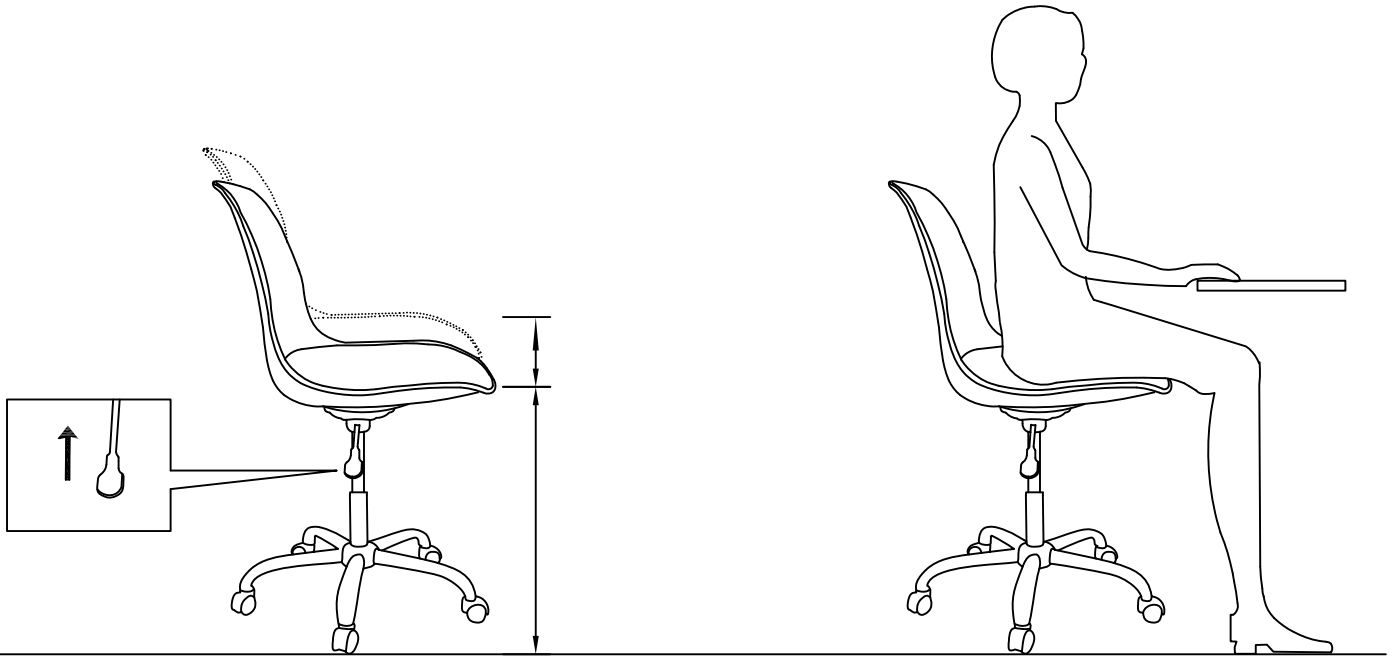
## Step 1



## Step 2



### Step 3



UK: Use the lever on right hand side under the seat to adjust the high of the seat by pressing the lever up or down wards.

### Step 4



UK: Do not try to replace or repair

UK: Use this product only for seating one person at a time.  
This chair is intended to be used on hard floors. We always recommend that the chair is placed on a protective floor plate  
The Seat can be cleaned using a soft damp cloth

UK: This office chair is not intended for use in offices and institutions. This office chair is for private use only

UK: Office chair type A

