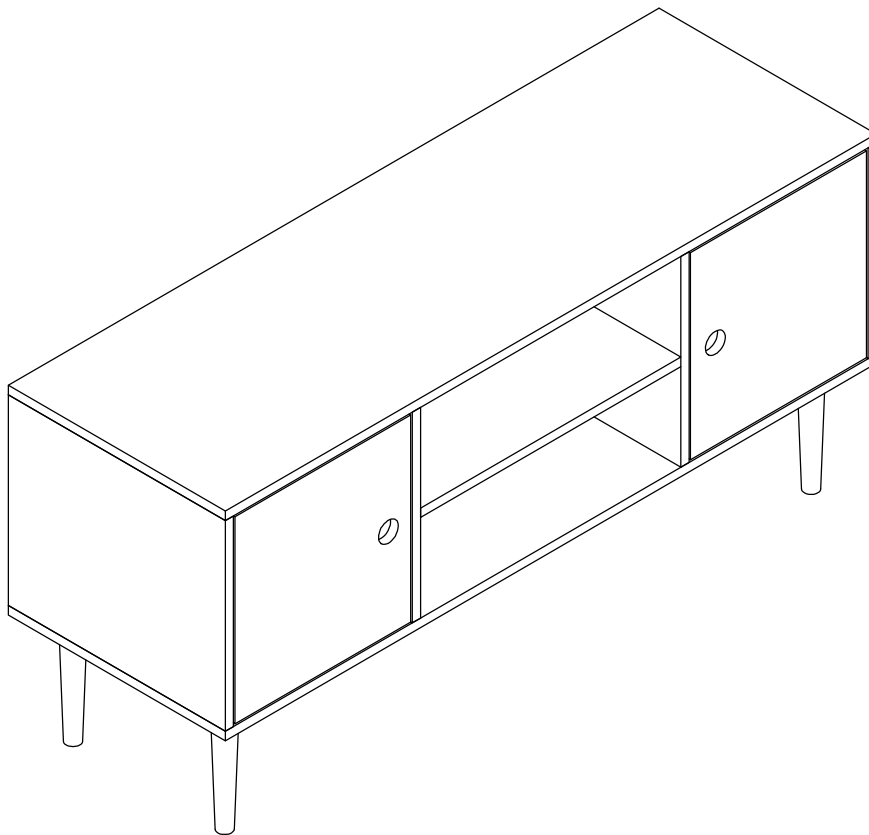


Foley 2 Door TV Unit

Assembly Instructions - Please keep for future reference

358/8914



Dimensions

Width - 120cm

Depth - 40cm

Height - 57cm

Important - Please read these instructions fully before starting assembly

If you need help or have damaged or missing parts, call the **Customer Helpline: 0345 6400 800**



Safety and Care Advice

Important – Please read these instructions fully before starting assembly

Check you have all the components and tools listed on pages 2 and 3.
Remove all fittings from the plastic bags and separate them into their groups.
Keep children and animals away from the work area, small parts could choke if swallowed.
Make sure you have enough space to layout the parts before starting.

Assemble the item as close to its final position (in the same room) as possible.

Assemble on a soft level surface to avoid damaging the unit or your floor.

Assembly requires 2 people.

Do not fully tighten bolts until the whole bed is assembled.
Do not overtighten the nuts to avoid causing damage to the threads.



We do not recommend the use of power drill/drivers **for inserting screws**, as this could damage the unit.
Only use hand screwdrivers and Allen keys.

Dispose of all packaging carefully and responsibly.

Solid wood / Real wood veneers

This product has been finished using natural materials. As a living material, you may notice some variation in the grain and colour shade between the different components.

Unlike a synthetic or man-made material which has a uniform finish, a feature of natural wood is its variation in grain and colour. We wish to reassure you that this is quite normal and is not the result of any manufacturing fault.

Where sheets of wood are joined together, a line may be detected. Again, this is normal and is not an imperfection.

The natural finish should be cared for by the periodic application of a good quality 'wax' based domestic furniture polish (Not silicone!!). Occasional / small spills should be removed immediately using a damp cloth.

Do not allow hot articles to come into contact with the surface, as damage will occur!

Care and maintenance

Only clean using a damp cloth and mild detergent, do not use bleach or abrasive cleaners.

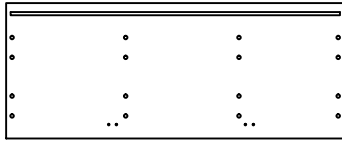
From time to time check that there are no loose screws on this unit.

This product should not be discarded with household waste. Take to your local authority waste disposal centre.

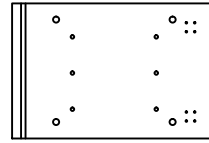
Components - Parts

If you have damaged or missing components.
call the **Customer Helpline**: 0345 6400 800

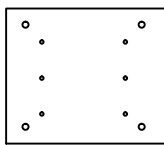
Please check you have all the parts listed below



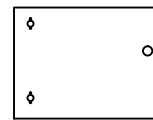
1 Top x 1
(120x40x1.5cm)



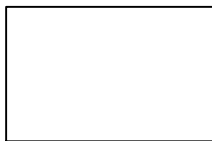
2 Side panel x 2
(39x40x1.5cm)



3 Divider (right) x 2
(39x38.5x1.5cm)



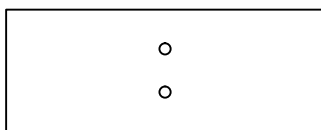
4 Door x 2
(38.5x29.5x1.5cm)



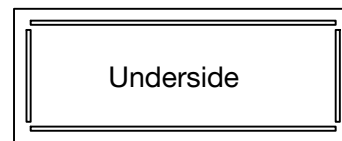
5 Fixed shelf x 1
(53.7x38.5x1.5cm)



6 Adjustable shelf x 2
(37x30x1.2cm)



7 Back panel x 1
(117.8x39.8x0.3cm)



8 Base x 1
(120x40x7.5cm)



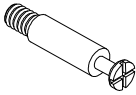


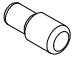





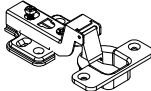

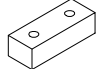

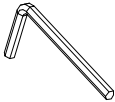
9 Feet x 4
(3.8x3.8x15cm)

Components - Fittings

If you have damaged or missing components, call the **Customer Helpline: 0345 6400 800**

Please check you have all the fittings listed below

Note: The quantities below are the correct amount to complete the assembly. In some cases more fittings may be supplied than are required.

<p>A</p>  <p>Metal dowel x 16</p>	<p>B</p>  <p>Locking nut x 16</p>	<p>C</p>  <p>Wooden dowel x 20</p>
<p>D</p>  <p>Shelf support pin x 8</p>	<p>E</p>  <p>Plastic bracket x 8</p>	<p>F</p>  <p>3 x 14mm screw x 24</p>
<p>G</p>  <p>M6 x 50mm Allen screw x 8</p>	<p>H</p>  <p>Spring washer x 8</p>	<p>J</p>  <p>Plain washer x 8</p>
<p>K</p>  <p>Door hinge x 4</p>	<p>L</p>  <p>4 x 14mm screw x 8</p>	<p>M</p>  <p>Door stop x 2</p>
<p>N</p>  <p>4 x 25mm screw x 4</p>	<p>P</p>  <p>Allen key x 1</p>	

Tools required

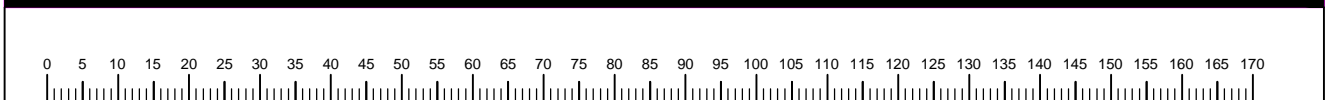


Ruler/tape measure



Phillips screwdriver
(Not supplied)

Ruler - Use this ruler to help correctly identify the screws



Assembly Instructions

Step 1

Preparing panels

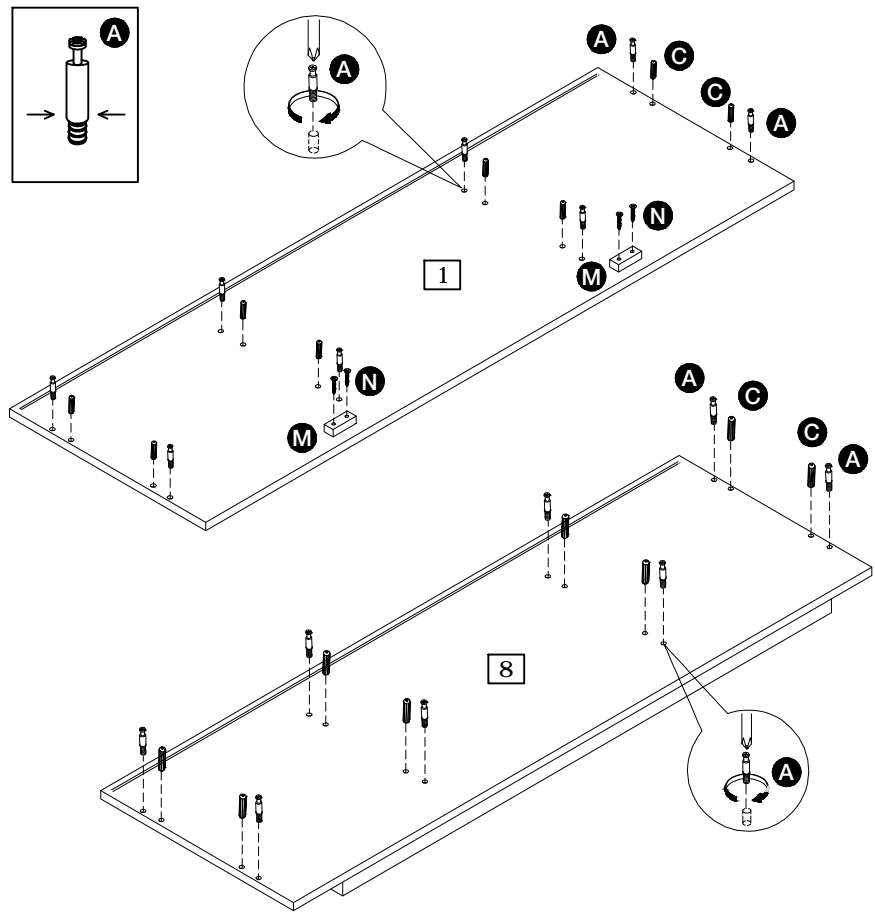
Place top panel **1** and base panel **8** flat on the floor with the fixing holes facing up.

Screw metal dowels **A** into each panel as shown.

Note: Screw metal dowels as far as shown. Do not overtighten.

Insert wood dowels **C** into panels **1** and **8** as shown.

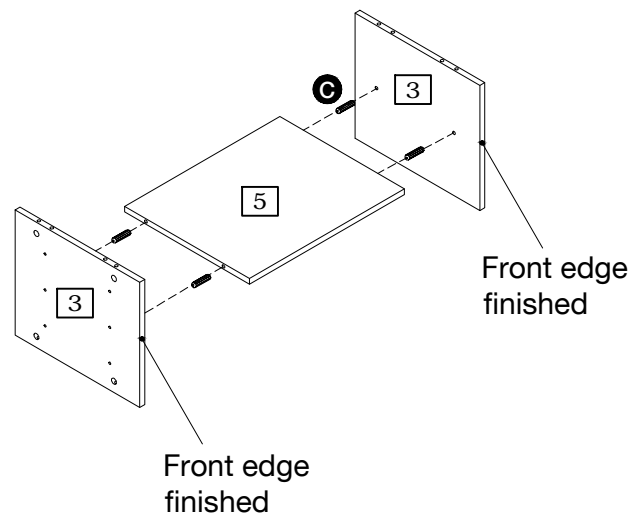
Fit door stops **M** to top panel **1** using screw **N**.



Step 2

Assembling shelf

Fit fixed shelf **5** in between dividers **3** using wood dowels **C**.



Assembly Instructions

Step 3

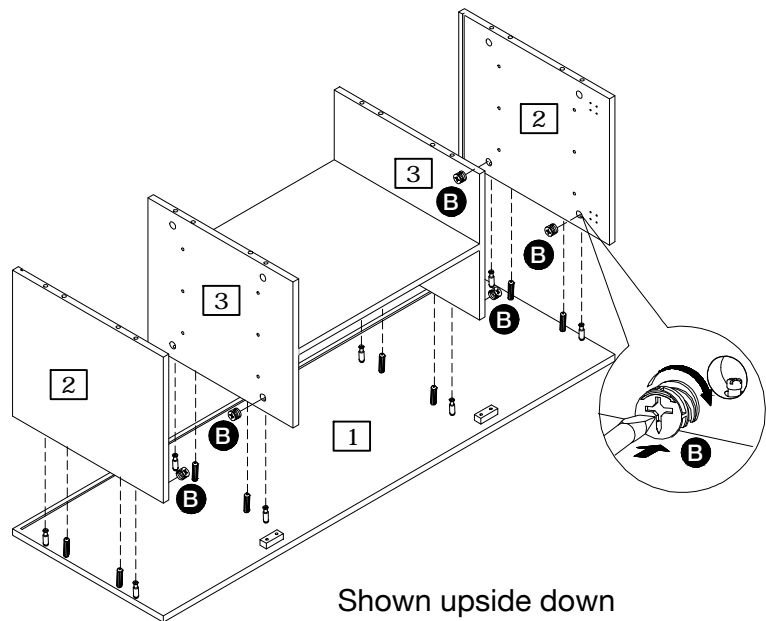
Assembling panels

Carefully lower the shelf assembly down onto top panel **1**.

Insert locking nuts **B** into dividers **3**. Turn locking nuts clockwise to secure.

Assemble side panels **2** to top panel **1** and secure using locking nuts **B**.

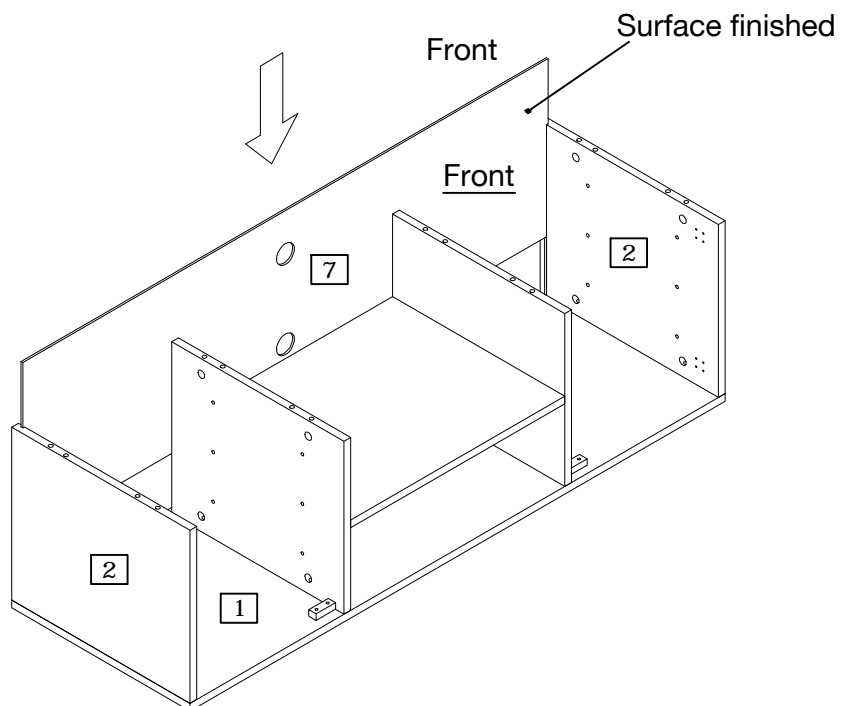
Note: Ensure the grooves in side panels **2** are correctly aligned next to the groove in top panel **1**.



Step 4

Attaching back panel

Carefully slide back panel **7** into the grooves in side panels **2** and top panel **1**.



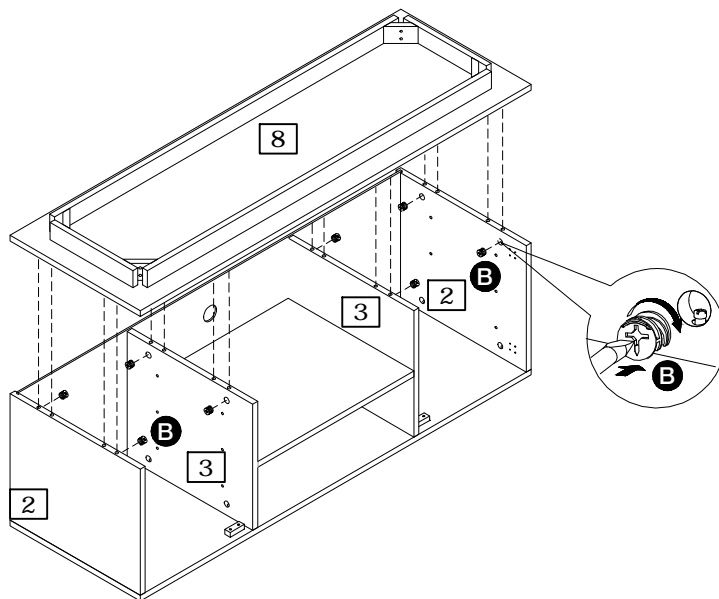
Assembly Instructions

Step 5

Attaching base

Carefully locate base panel **8** into position as shown.

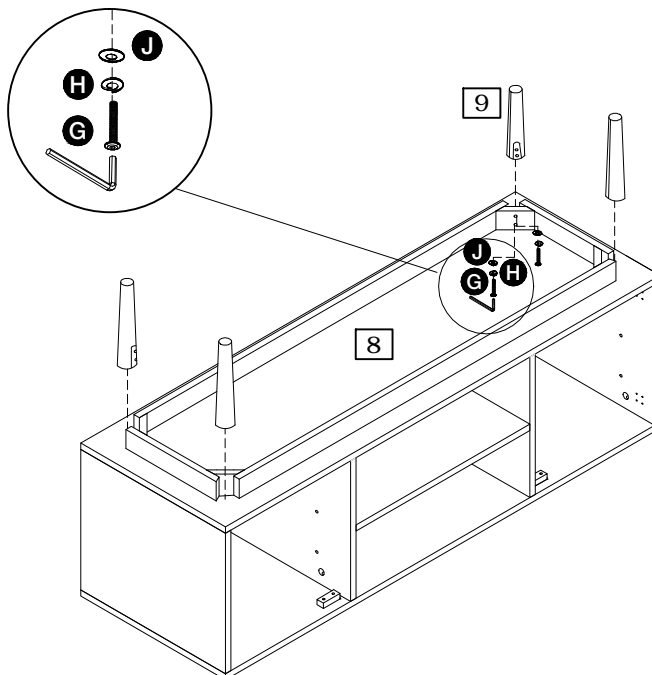
Secure using locking nuts **B** in side panels **2** and dividers **3**.



Step 6

Attaching legs

Assemble legs **9** to base panel **8** using fixings **G**, **H** and **J**.



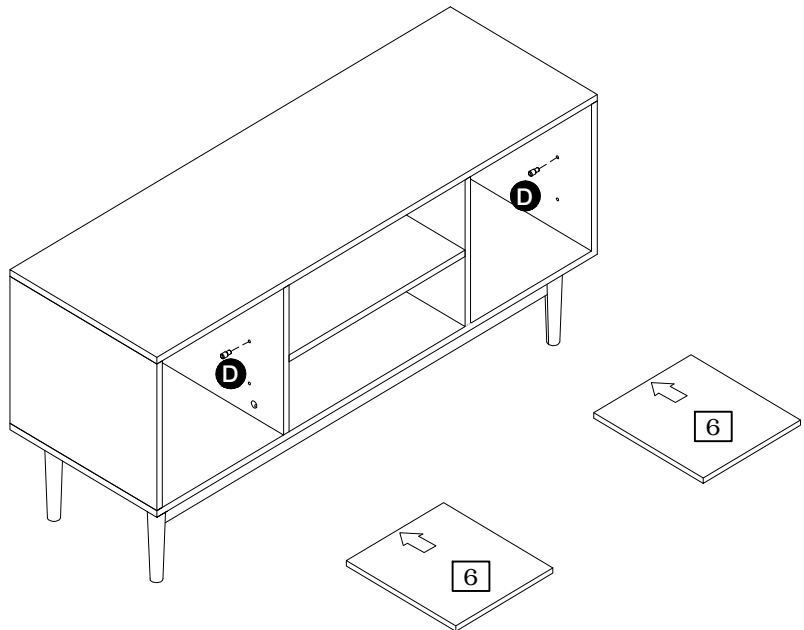
Assembly Instructions

Step 7

Locating shelves

Fit shelf support pins **D** at the desired height.

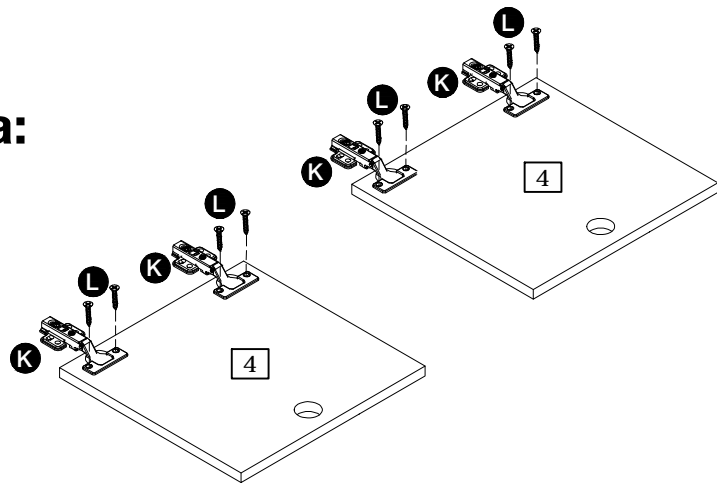
Carefully place adjustable shelves **6** onto the support pins.



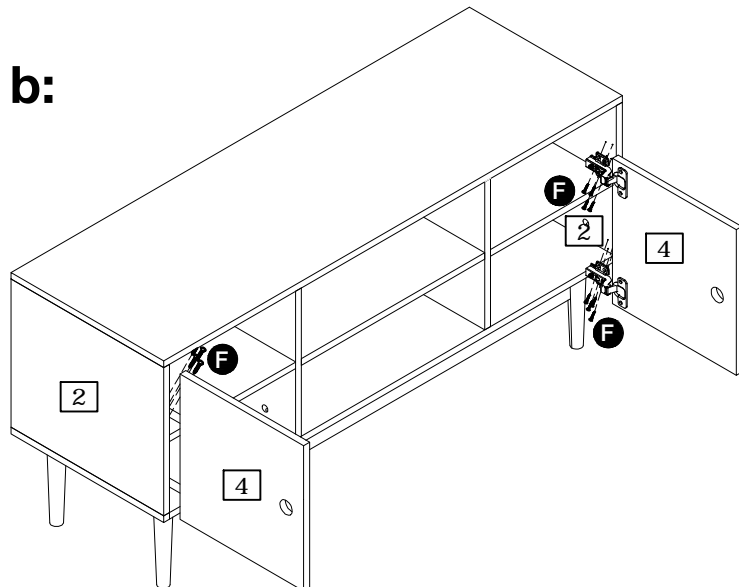
Step 8

Preparing doors

a: Assemble hinges **K** to doors **4** using screws **L**.



b: Assemble doors **4** to side panels **2** using screws **F**.



Assembly Instructions

Step 9

Hinge adjustment

a: To move doors up or down, loosen screws **L** as shown and move doors to suit.

Once doors are aligned, insert 2 more screws **L** into the hinge plates and fully tighten all screws.

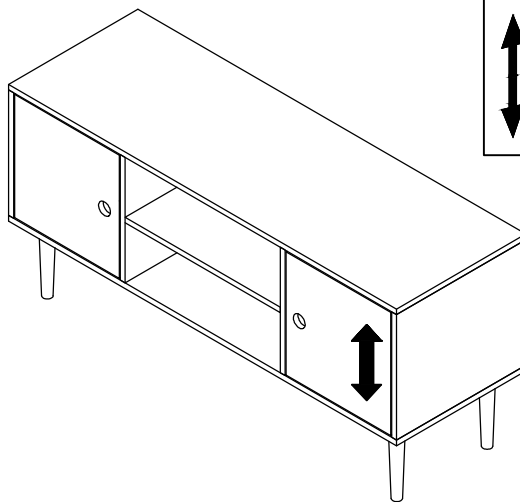
b: To move doors in or out, loosen screw shown and move doors to suit.

Re-tighten screws.

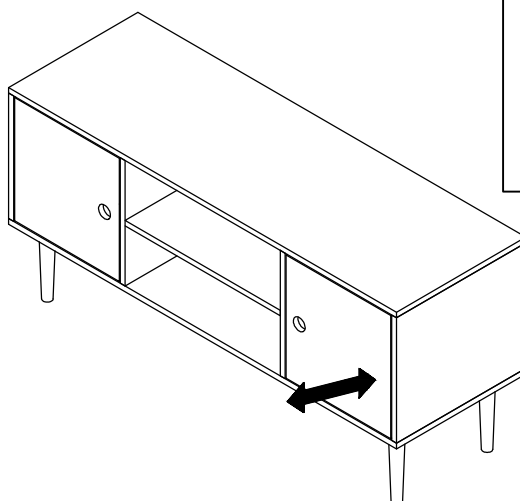
c: To move doors left or right, loosen screw shown and move doors to suit.

Re-tighten screws.

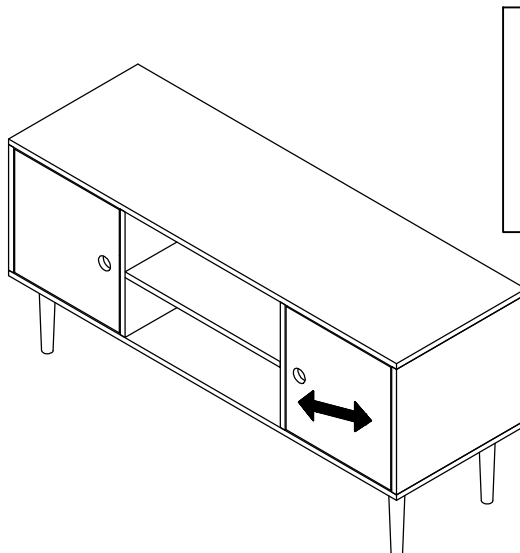
a:



b:



c:

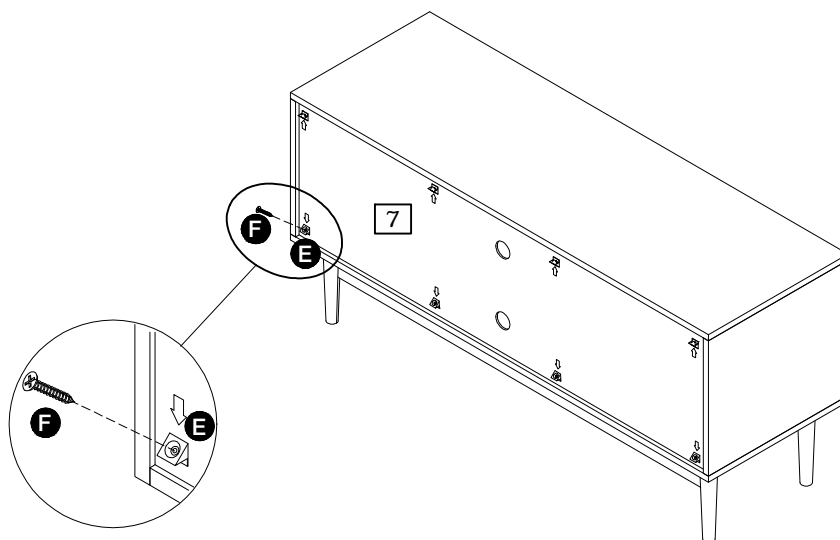


Assembly Instructions

Step 10

Securing assembly

Fit plastic brackets **E** around the edge of back panel **7** using screws **F**.



Assembly is complete.

If you need help or have damaged or missing parts, call the **Customer Helpline: 0345 6400 800**
Home Retail Group. 489-499 Avebury Boulevard. Saxon Gate West. Central Milton Keynes. MK9 2NW