

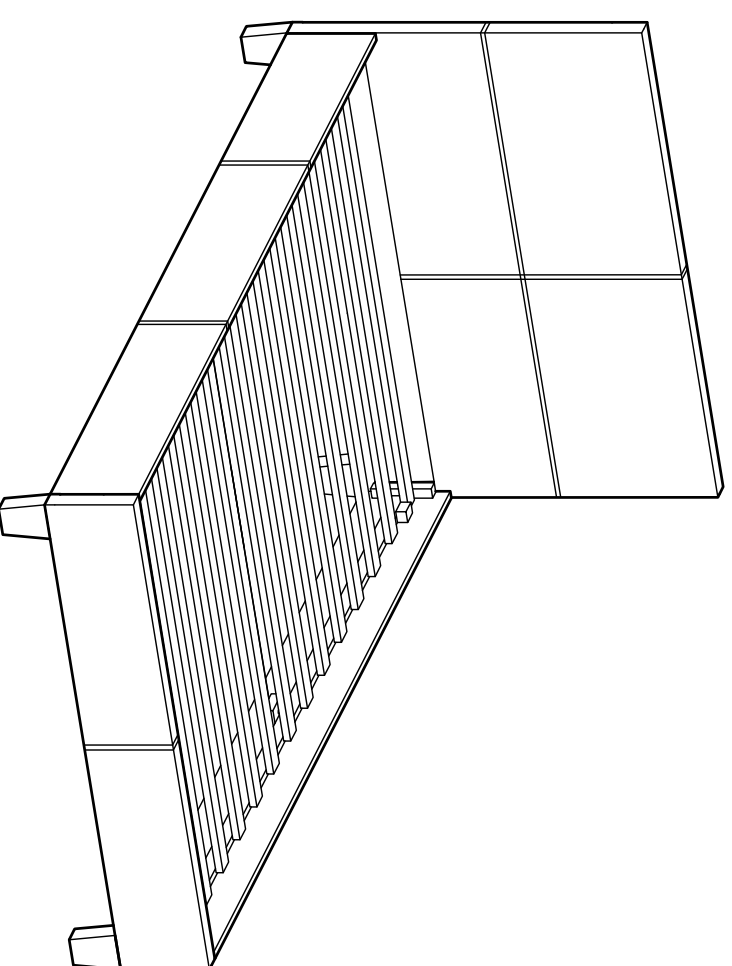
# Constance 3FT

Assembly Instructions - Please keep for future reference

Cat.no 359 / 5323

Cat.no 360 / 9673

Cat.no 357 / 7695



## Dimension

Width - 96cm

Length - 203cm

Height - 87cm

**Important - Please read these instructions fully before starting assembly**

If you need help or have damaged or missing parts, call the **Customer Helpline: Argos = 0345 640 3030**



## Safety and Care Advice

### Important - Please read these instructions fully before starting assembly

- Check you have all the components and tools listed on pages 2 and 3.
- Remove all fittings from the plastic bags and separate them into their groups.
- Do not stand or put weight on the product, this could cause damage.
- Assemble the item as close to its final position (in the same room) as possible.
- We do not recommend the use of power drill/drivers for **inserting bolts** as this could damage the unit. Only use hand screwdrivers.
- Keep children and animals away from the work area, small parts could choke if swallowed.
- Assemble on a soft level surface to avoid damaging the unit or your floor.
- Dispose of all packaging carefully and responsibly.
- Make sure you have enough space to layout the parts before starting.
- Parts of the assembly will be easier with 2 people.
- Do not tighten all bolts until bed is fully assembled.

### Care and maintenance

- Only clean using a damp cloth and mild detergent, do not use bleach or abrasive cleaners.
- From time to time check that there are no loose bolts on this unit.
- This product should not be discarded with household waste. Take to your local authority waste disposal centre.

### Handy Hints

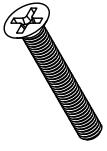

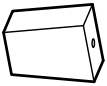
- Assemble all parts and bolts loosely during assembly, only once the product is complete should you fully tighten the bolts.
- Regularly check and ensure that all bolts and fittings are tightened properly.

**Note:** if required the next page can be cut out and used as reference throughout the assembly. Keep this page with these instructions for future reference.

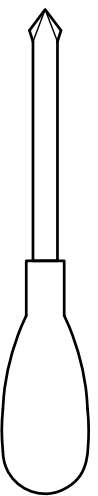
# Components - Fittings

**Please check you have all the fittings listed below**

**Note:** the quantities below are the correct amount to complete the assembly. In some cases more fittings may be supplied than are required.

<b>A</b>		<b>A</b>		<b>C</b>	
M8x70 mm Bolt x 4		M6x45 mm Bolt x 2		Leg x 4	

## Tools required



Screwdriver (Not supplied)



**Ruler** - Use this ruler to help correctly identify the bolts

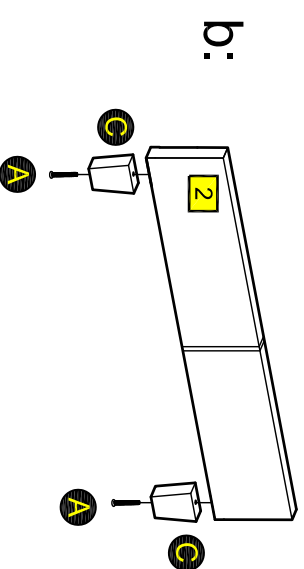
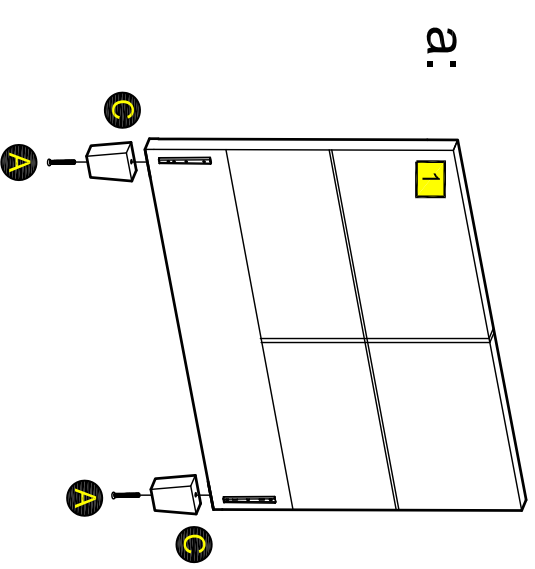
# Assembly Instructions

## Step 1

### Attaching legs

**a:** Insert Legs **C** into Headboard **1** using Bolt **A**.

**b:** Insert Legs **C** into Footboard **2** using Bolt **A**.

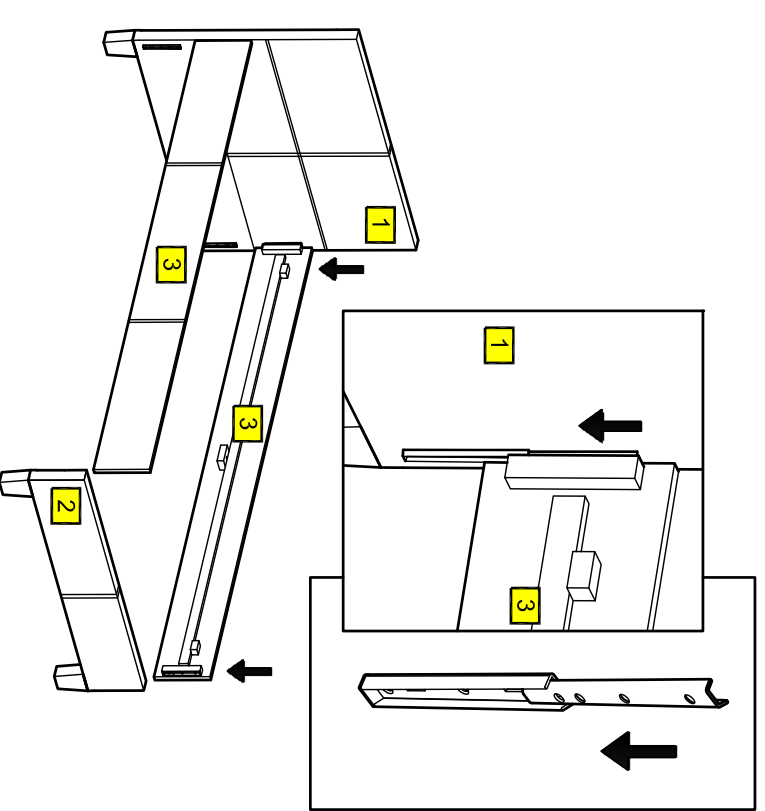


## Step 2

### Attaching side rails

Connect Side rails **3** with Headboard **1** and Footboard **2** as seen in the image.

**2 person assembly required.**



If you need help or have damaged or missing parts, call the **Customer Helpline: Argos = 0345 640 3030**

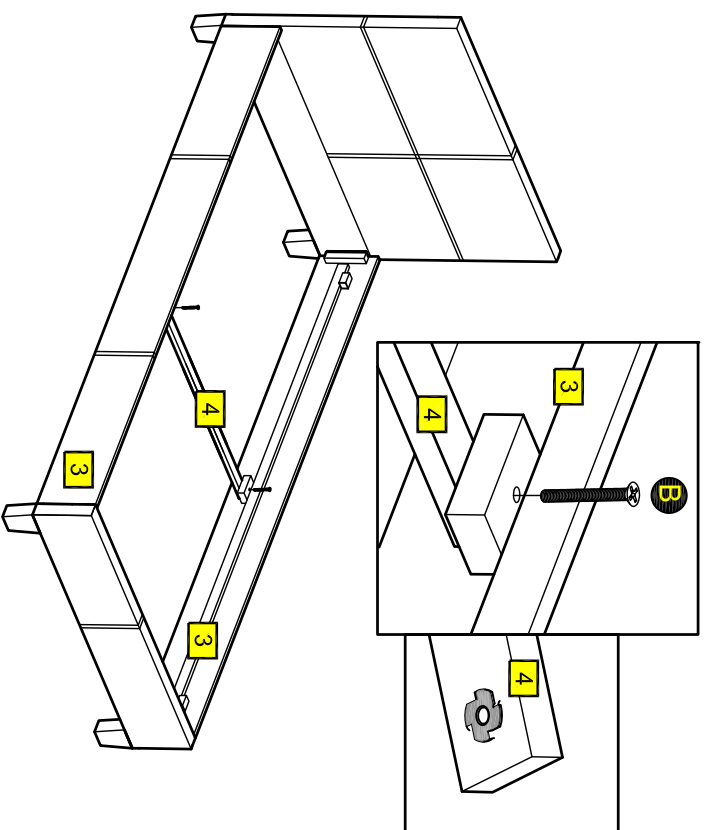
## Step 3

### Attaching support bar 2

Insert Bolt **B** through central hole on Side Rail **3** and through end holes.

Central Support bar **4** attaches with metal nut down.

Make the same for the other side.



Now fully tighten all bolts.

## Step 4

### Attaching slats

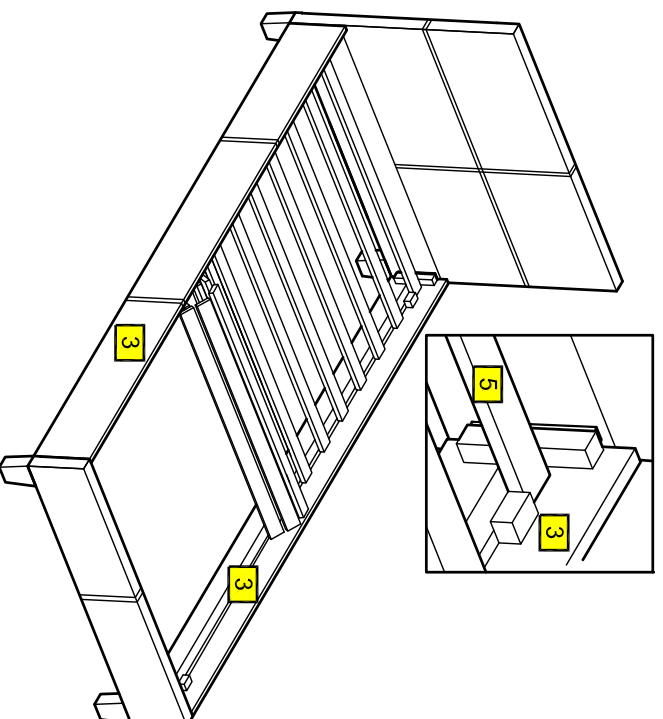
For this stage requires two people.

Roll the Slats over the Side **3** and connect slats over the wood elements that are attached on both sides of the Side rails **3**.

Slats to be rolled out with staples on the underside.

Repeat operation for all 4 corners.

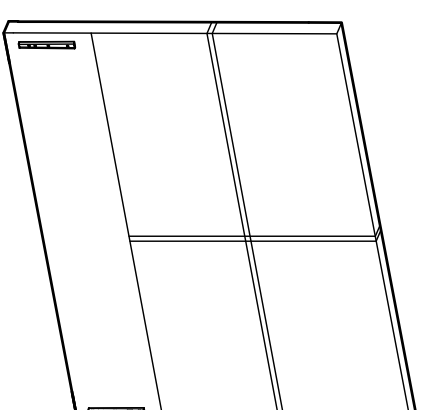
Assembly is now complete.



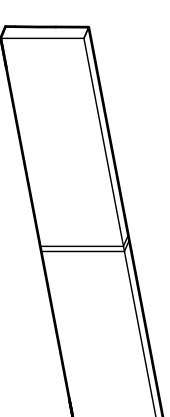
If you need help or have damaged or missing parts, call the **Customer Helpline: Argos = 0345 640 3030**

If you have damaged or missing components, call the **Customer Helpline: Argos = 0345 640 3030**

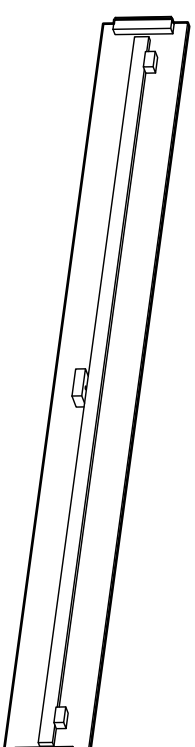
Please check you have all the parts listed below



**1** Headboard (96x76cm)



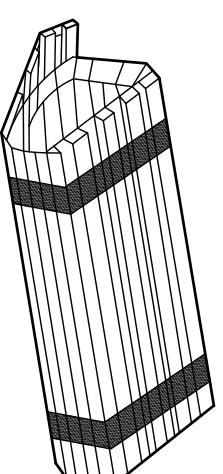
**2** Footboard (96x20cm)



**3** Side rail x 2 (193x20cm)



**4** Central support bar (91x3.2cm)



**5** Slats (90.5x4.3cm)

