

Merrick Chair

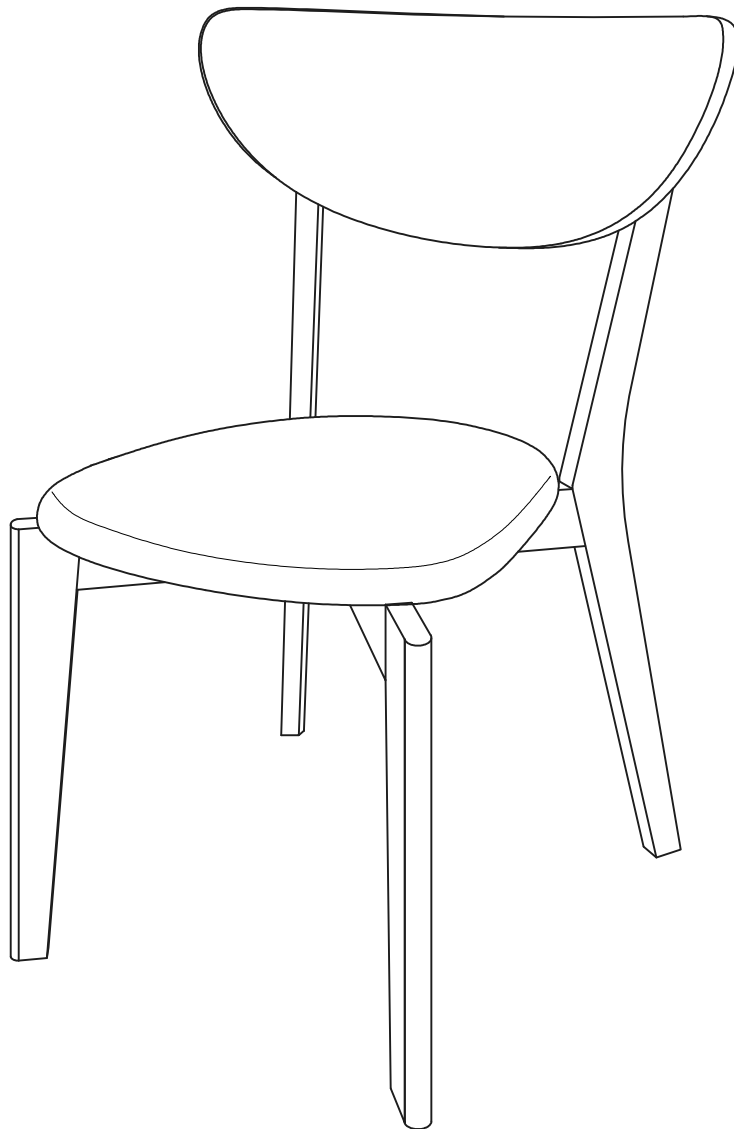
Assembly Instructions - Please keep for future reference

355 / 2672

357 / 7468

339 / 0982

339 / 0425



Dimensions

Width - 48cm

Depth - 52cm

Height - 79.5cm

Important - Please read these instructions fully before starting assembly

If you need help or have damaged or missing parts, call the **Customer Helpline: 0345 640 0800**



Safety and Care Advice

Important - Please read these instructions fully before starting assembly

- Check you have all the components and tools listed on the page 2 & 3.

- Remove all fittings from the plastic bags and separate them into their groups.

- Keep children and animals away from the work area, small parts could choke if swallowed.

- Make sure you have enough space to layout the parts before starting.

- During assembly do not stand or put weight on the product, this could cause damage.

- Assemble the item as close to its final position (in the same room) as possible.

- Assemble on a soft level surface to avoid damaging the unit or your floor.

- Parts of the assembly will be easier with 2 people.



power drill is set on a low torque setting.

- To reduce the likelihood of damaging your product please ensure that your

- The maximum safe weight of user : 110kg.

Care and maintenance

- Only clean using a damp cloth and mild detergent, do not use bleach or abrasive cleaners.

- From time to time check that there are no loose screws on this unit.

- This product should not be discarded with household waste. Take to your local authority waste disposal centre.

Handy Hints

- Assemble all parts and bolts loosely during assembly, only once the product is complete should you fully tighten the bolts

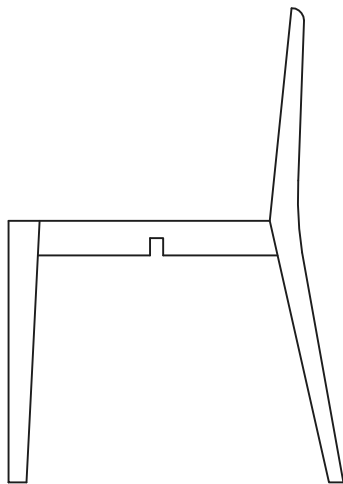
- Regularly check and ensure that all bolts and fittings are tightened properly.

Note: if required the next page can be cut out and used as reference throughout the assembly. Keep this page with these instructions for future reference.

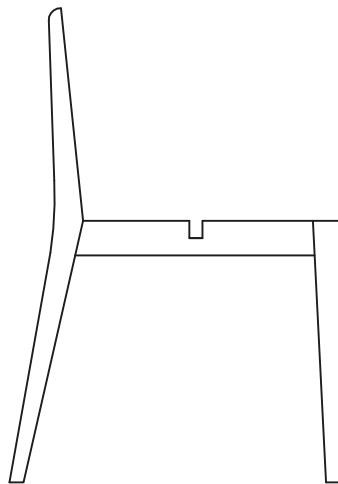
Components - Panels

If you have damaged or missing components,
call the Customer Helpline: 0345 6400800

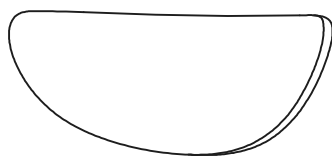
Please check you have all the panels listed below



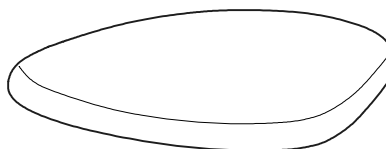
1 Left Side Frame x 1
(52 x 74cm)



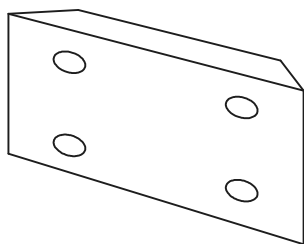
2 Right Side Frame x 1
(52 x 74cm)



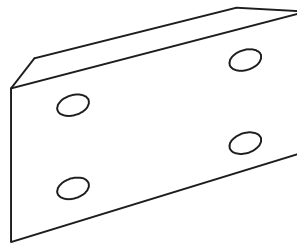
3 Top Rest x 1
(19.5 x 51cm)



4 Cushion Seat x 1
(41 x 43.5cm)



5 Left Corner Block x 1
(5.5 x 12cm)



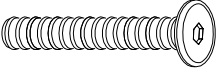

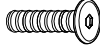
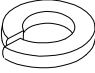
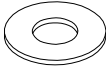

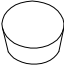
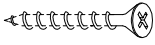
6 Right Corner Block x 1
(5.5 x 12cm)



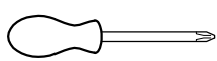
Components - Fittings

Please check you have all the fittings listed below

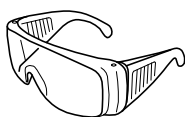
Note: The quantities below are the correct amount to complete the assembly for one chair. In some cases more fittings may be supplied than are required.

<p>A </p> <p>55mm Bolt x 4</p>	<p>B </p> <p>40mm Screw x 1</p>	<p>C </p> <p>25mm Bolt x 4</p>
<p>D </p> <p>Spring Washer x 8</p>	<p>E </p> <p>Flat Washer x 8</p>	<p>F </p> <p>Allen Key M4 x 1</p>
<p>G </p> <p>Wood Button x 4</p>	<p>H </p> <p>25mm Screw x 8</p>	

Tools required



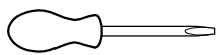
Phillips screwdriver
(medium & large)



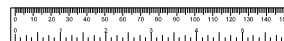
Eye protection
(when using a
hammer or glue)



Small
hammer

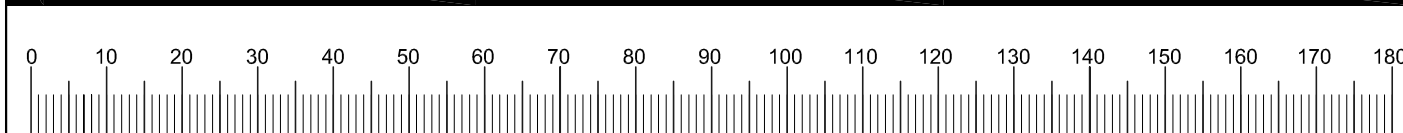


Flatblade screwdriver
(medium)



Ruler/tape
measure

Ruler - Use this ruler to help correctly identify the screws

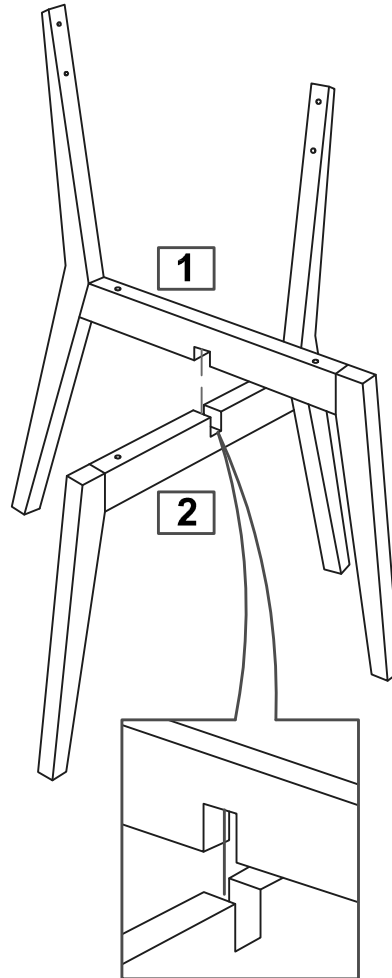


Assembly Instructions

Step 1

Fitting the Side Frame

Crossover the Left Side Frame **1** into Right Side Frame **2**



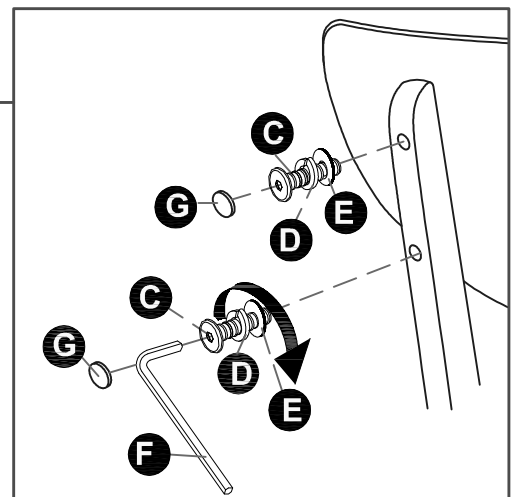
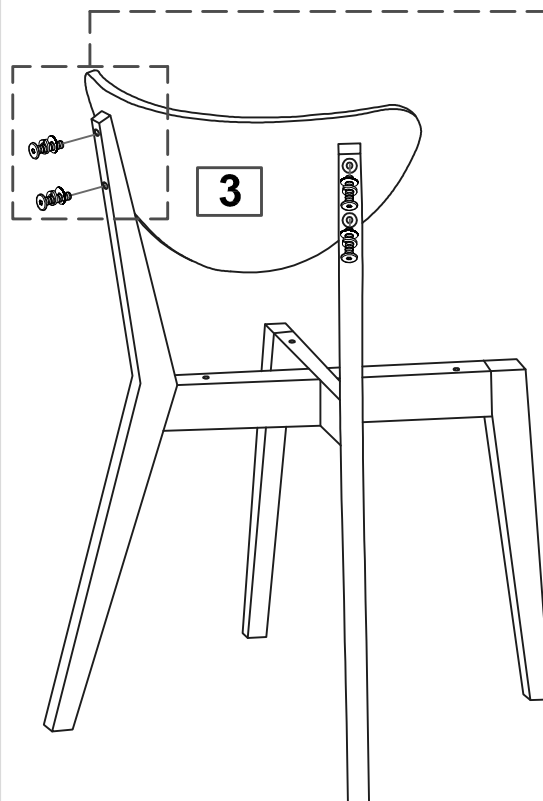
Step 2

Fitting the Top Rest

Note: It would be useful to ask someone to help you at this stage.

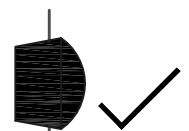
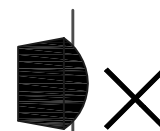
a: Use Bolt **C**, Spring Washer **D**, Flat Washer **E** with the Allen Key **F** to fix the Top Rest **3**

b: Insert Wood Button **G** into the holes.



IMPORTANT NOTE:

Do not over-knock the wood button to avoid wood cracking.



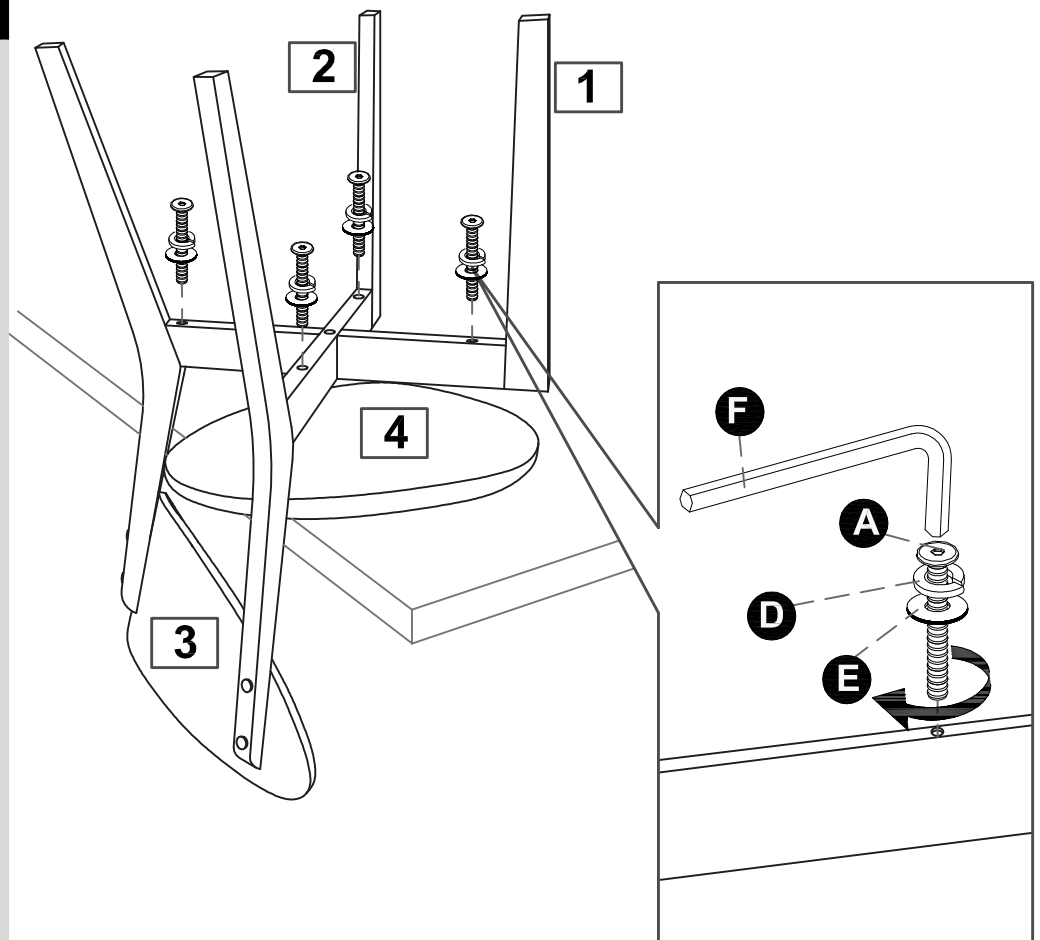
Assembly Instructions

Step 3

Fitting the Seat Cushion

Use Bolt **A**, Spring Washer **D**, Flat Washer **E** with the allen key **F** to fix the seat cushion **4** onto the unit.

Fully tighten all screws now.

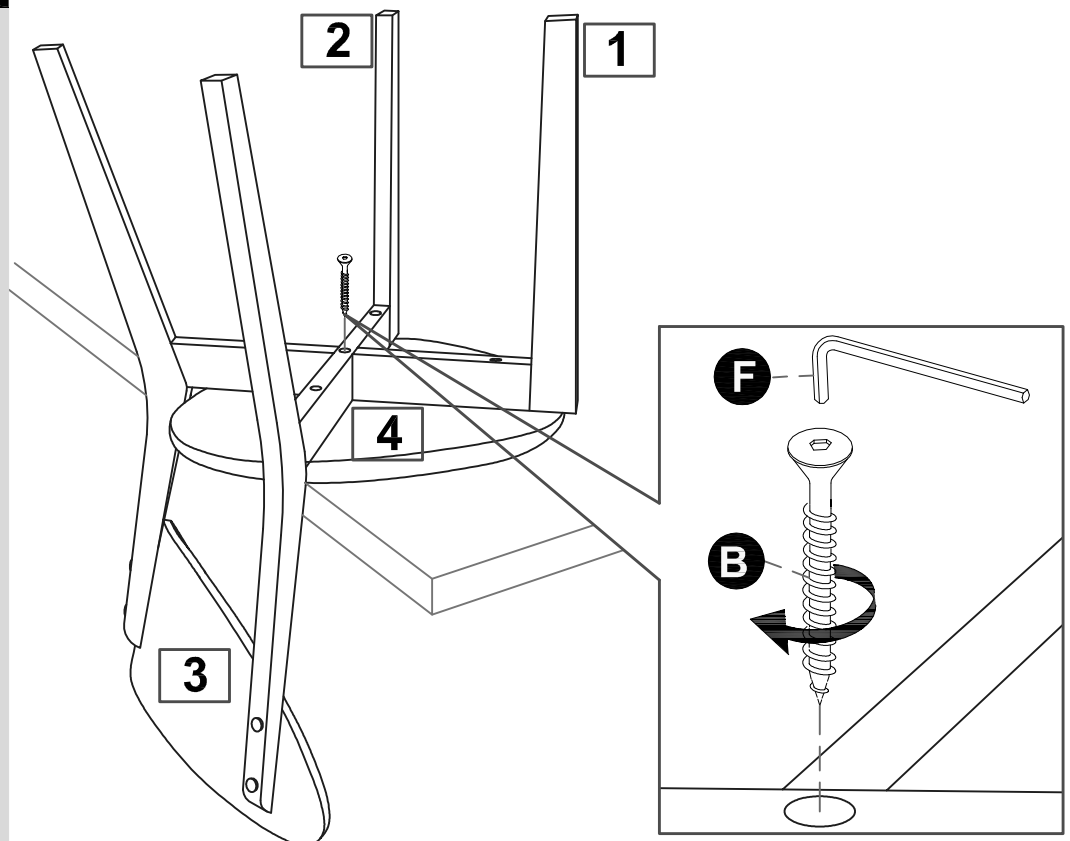


Step 4

Fitting the Crossover Side Frame

Use Screw **B**, with the Allen Key **F** to fix Cushion Seat onto the unit.

Fully tighten all screws now.



Assembly Instructions

Step 5

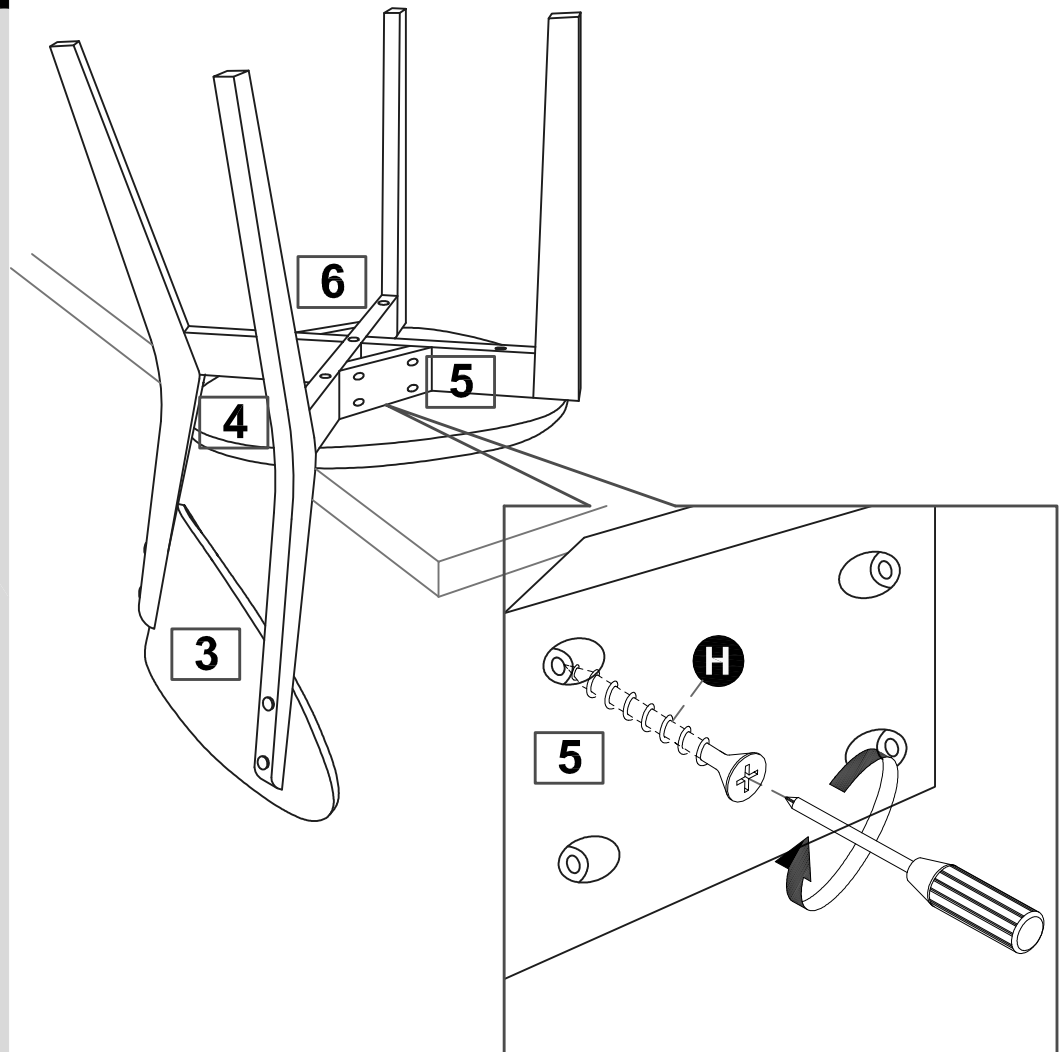
Fitting the Corner Block

Note: It would be useful to ask someone to help you at this stage.

a: Use Screw **H** to fix the Corner Block **5** onto the unit.

b: Use Screw **H** to fix the Corner Block **6** onto the unit.

Fully tighten all screws now.



Assembly Instructions

Step 6

Finishing the unit

Note: Before use always make sure the unit is secure.

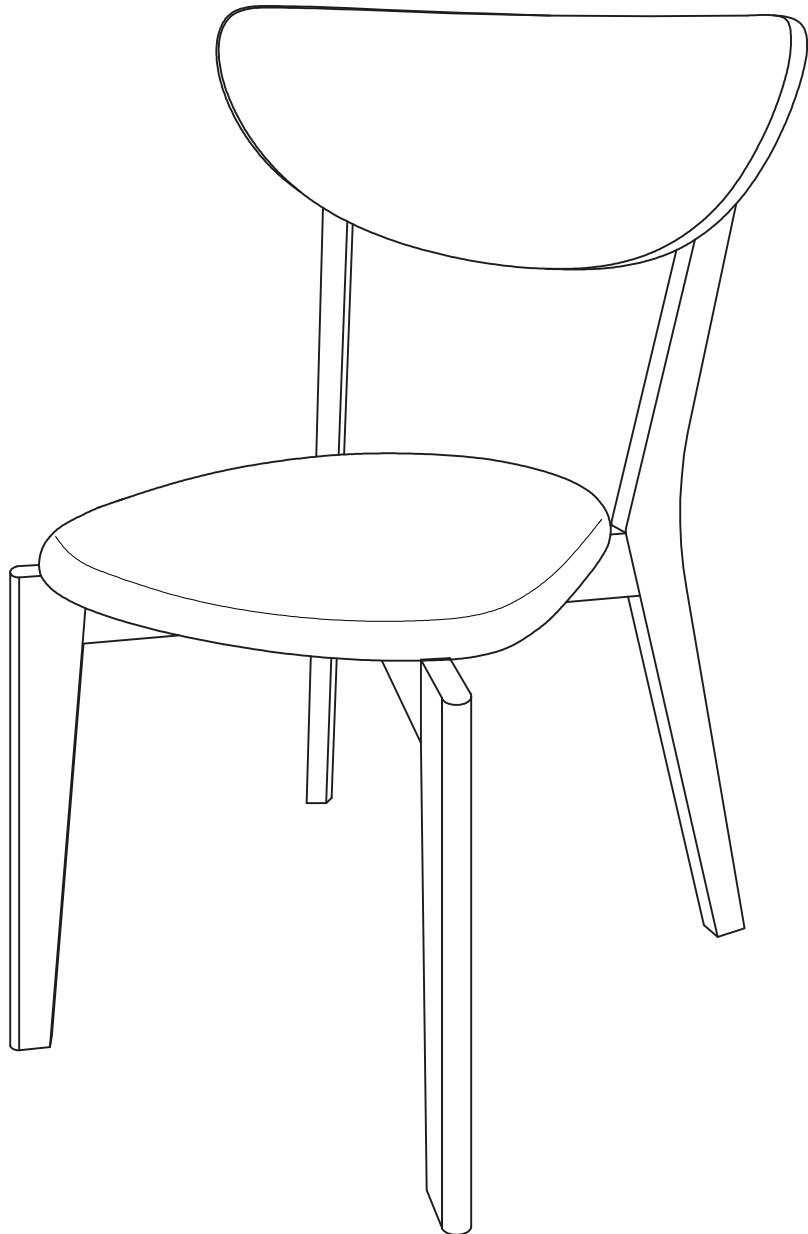
Note: The maximum safe weight of user: 110kg.



Warning:

- Do not stand on this chair. Do not use this chair as a step ladder.
- Use this product only for seating one person at a time.
- Do not use this chair unless all bolts, screws and knobs are firmly secured.
- At least every 4 months, check all bolts, screws and knobs, to be sure they are tight.
- If parts are missing, broken or damaged or worn, stop use of this product until repairs are made & using factory authorized parts.
- Failure to follow these warnings could result in serious injury.

Assembly is complete.



If you need help or have damaged or missing parts, call the **Customer Helpline: 0345 6400800**