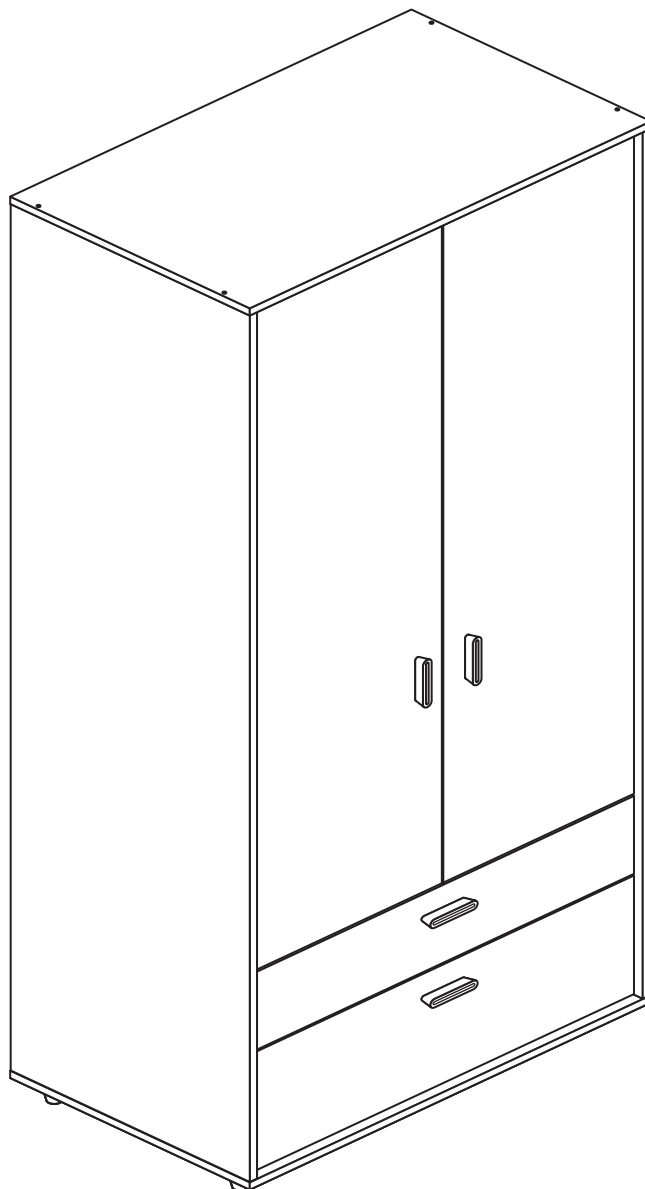


Arvika - 2 Drawer 2 Door Robe

Assembly Instructions - Please keep for future reference

357/6823

356/4921



Dimensions

Width - 83cm

Depth - 49.5cm

Height - 186.5cm



**MADE IN
BRITAIN**

Important - Please read these instructions fully before starting assembly

If you need help or have damaged or missing parts, call the **Customer Helpline: 08456 400800**



Safety and Care Advice

Important - Please read these instructions fully before starting assembly

- **Warning:** This unit weighs approximately 52.5kgs. Please lift with care.
- Check you have all the components and tools listed on pages 2 and 3.
- Remove all fittings from the plastic bags and separate them into their groups.
- Keep children and animals away from the work area, small parts could choke if swallowed.
- Parts of the assembly will be easier with 2 people.

- Make sure you have enough space to layout the parts before starting.
- Do not stand or put weight on the product, this could cause damage.
- Assemble the item as close to its final position (in the same room) as possible.
- Assemble on a soft level surface to avoid damaging the unit or your floor (use opened out unit carton).



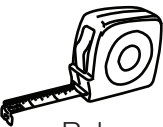
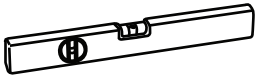

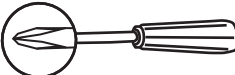

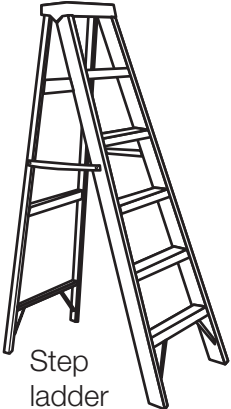



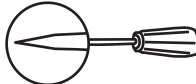
- We do not recommend the use of power drill/drivers **for inserting screws**, as this could damage the unit. Only use hand screwdrivers.

- **Safety note:** It is recommended that this unit is secured to a wall using the overbalance kit supplied.
- Dispose of all packaging carefully and responsibly.

Care and maintenance

- Only clean using a damp cloth and mild detergent, do not use bleach or abrasive cleaners.
- From time to time check that there are no loose screws on this unit.
- This product should not be discarded with household waste. Take to your local authority waste disposal centre.

Tools required

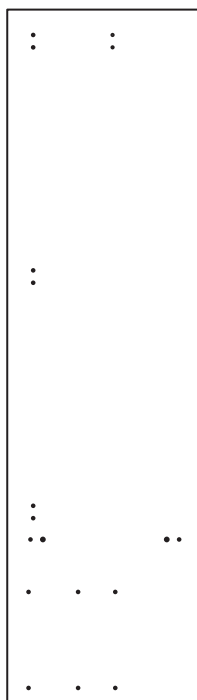
 Rule	 Spirit level	 Eye protection (when using a hammer or drill)	 Cross-head screwdriver	 Electric drill (only use when drilling into walls)	 Step ladder
 Square	 Scissors	 Hammer	 Bradawl		

Note: If required the next page can be cut out and used as reference throughout the assembly. Keep this page with these instructions for future reference.

Components - Panels

If you have damaged or missing components, call the **Customer Helpline: 08456 400800** quoting the reference numbers below

Please check you have all the panels listed below



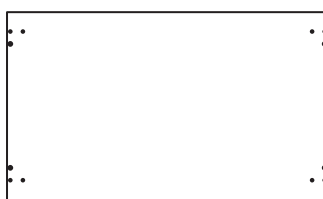
1 Left Side (DF1888)
(1791 x 494mm)



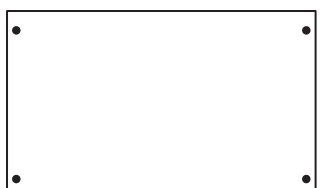
2 Right Side (DF1889)
(1791 x 494mm)



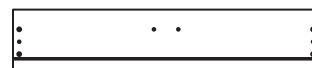
3 Top (DF919)
(829 x 495mm)



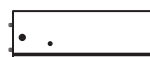
4 Base (DF1966)
(829 x 495mm)



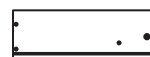
5 Horizontal (DF1420)
(797 x 464mm)



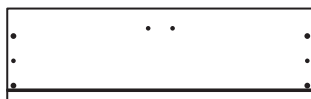
6 Top Drawer Front (DF1886)
(791 x 161mm)



7 Top Left Drawer Side (W370-124LH)
(370 x 124mm)



8 Top Right Drawer Side (W370-124RH)
(370 x 124mm)



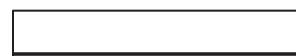
10 Bottom Drawer Front (DF1887)
(791 x 245mm)



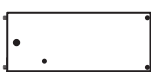
14 Drawer Base (T757-367)
(757 x 367mm) x 2



15 Hanging Rail (FHR791)
(791mm long)



9 Top Drawer Back (W746-124)
(746 x 124mm)



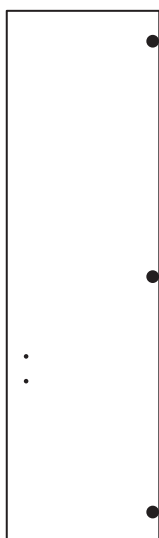
11 Bottom Left Drawer Side (W370-165LH)
(370 x 165mm)



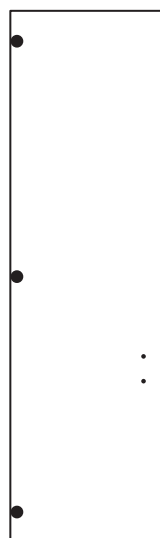
12 Bottom Right Drawer Side (W370-165RH)
(370 x 165mm)



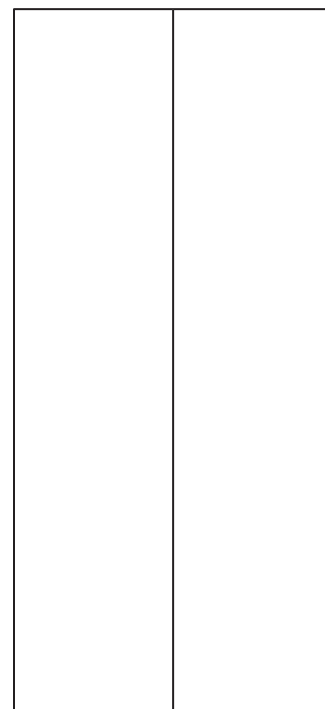
13 Bottom Drawer Back (W746-165)
(746 x 165mm)



16 Left Door (DF3023)
(1371 x 394mm)



17 Right Door (DF1890)
(1371 x 394mm)



18 Back (X1817-888)
(1817 x 822mm)

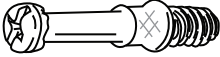



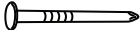






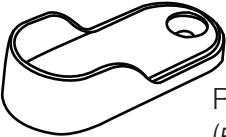
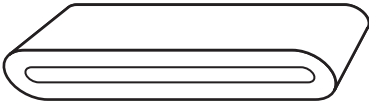
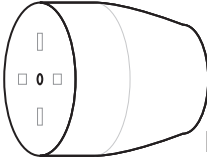
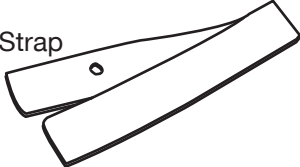
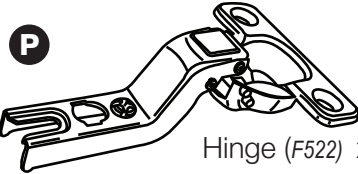
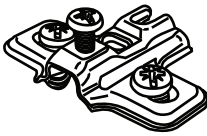




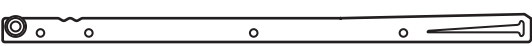
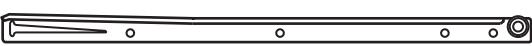


Components - Fittings

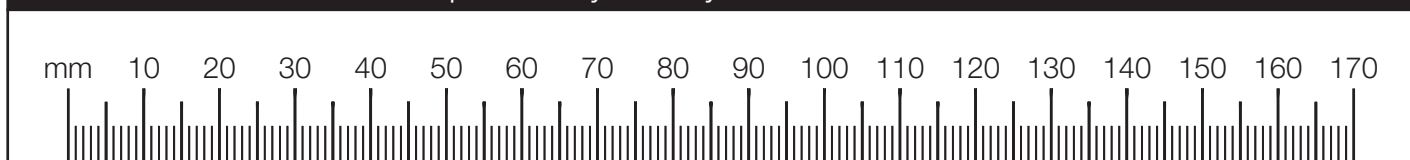
If you have damaged or missing components, call the **Customer Helpline: 08456 400800** quoting the reference numbers below

Please check you have all the fittings listed below

Note: The quantities below are the correct amount to complete the assembly. In some cases more fittings may be supplied than are required.

<p>A </p> <p>Metal dowel (F901) x 8</p>	<p>B </p> <p>Large locking nut (F900) x 4</p>	<p>C </p> <p>Small locking nut (F3) x 4</p>
<p>D </p> <p>Wooden dowel (F22) x 12</p>	<p>E </p> <p>Nail (F51) x 34</p>	<p>F </p> <p>Knock-in Peg (F171GY) x 8</p>
<p>G </p> <p>40mm Screw (F910) x 12</p>	<p>H </p> <p>19mm Screw (F461) x 8</p>	<p>I </p> <p>Wedgefix (F639) x 8</p>
<p>J </p> <p>13mm Screw (F63) x 28</p>	<p>K </p> <p>9mm Screw (F73) x 12</p>	<p>L </p> <p>Rail Holder (F891) x 2</p>
<p>M </p> <p>Handle (F336) x 4</p>	<p>N </p> <p>Leg (F334) x 4</p>	<p>O </p> <p>Strap</p>
<p>P </p> <p>Hinge (F522) x 6</p>	<p>Q </p> <p>Hinge plate (F523) x 6</p>	<p> Screw  Washer x 2</p> <p>Overbalance protector kit (F269) x 1</p>
<p>R a  L Runner (F159) x 2 ← 350mm long →</p> <p>R b  R Runner (F160) x 2</p> <p>R c  L Runner (F161) x 2</p> <p>R d  R Runner (F162) x 2</p>		

Ruler - Use this ruler to help correctly identify the screws



Assembly Instructions

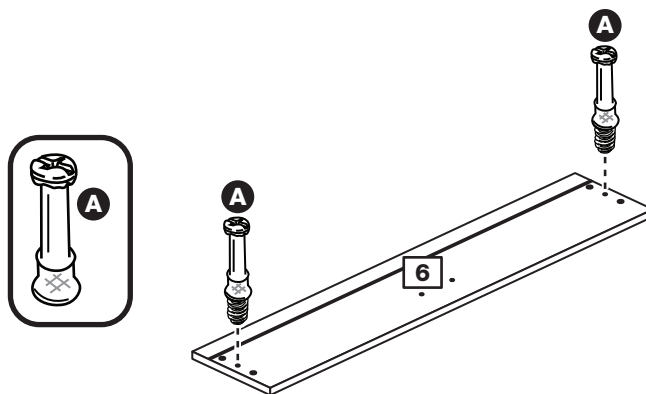
If you have damaged or missing components, call the
Customer Helpline: 08456 400800 quoting the reference
numbers below

Step 1

Prepare the top drawer front

Screw 2 metal dowels **A** into the back of the top drawer front **6**.

Note: Tighten the metal dowels up fully against the panels.

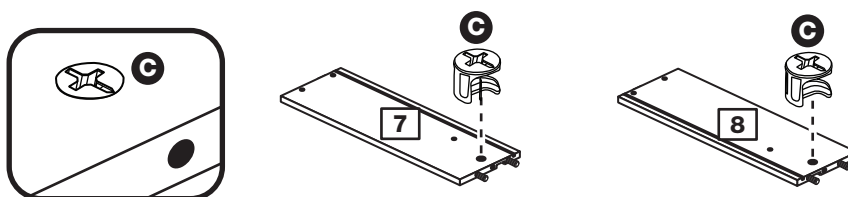


Step 2

Prepare the top drawer sides

Insert a small locking nut **C** into the hole shown on the top left drawer side **7** and the top right drawer side **8**.

Note: The arrow on the locking nut **must** point towards the hole in the edge of the panel.



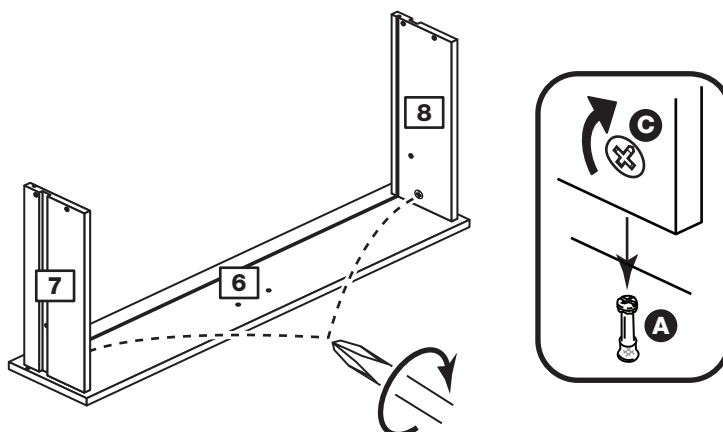
Step 3

Attach the top drawer sides to the top drawer front

Push the top left drawer side **7** and top right drawer side **8** onto the back of the top drawer front **6**.

Turn the small locking nuts **C** on the top left drawer side **7** and top right drawer side **8**.

Note: Turn the locking nuts **C** clockwise to secure panels - more than 1/2 a turn.

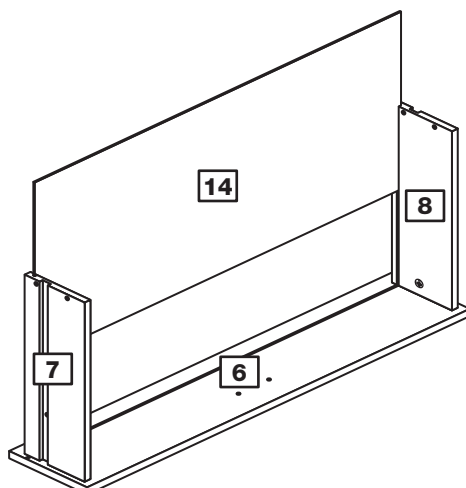


Assembly Instructions

Step 4

Fit the drawer base

Slide the drawer base **14** down the grooves in the top drawer sides **7** and **8** and down into the groove in the top drawer front **6**.



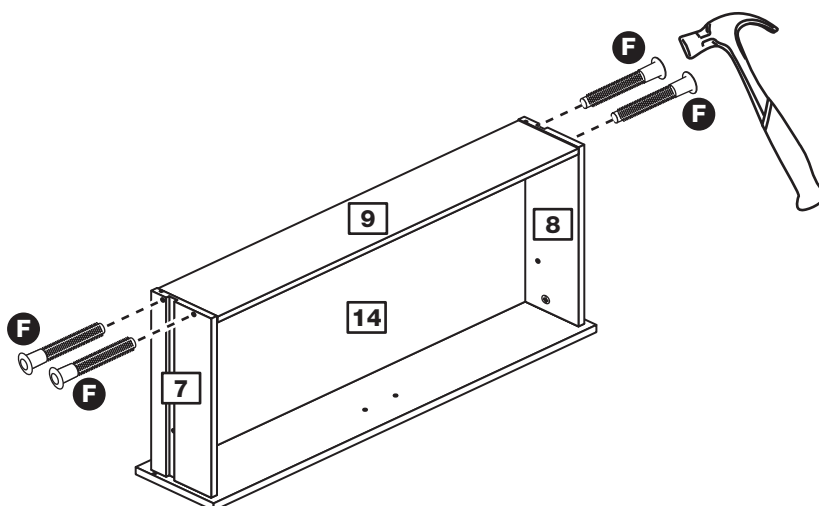
Step 5

Fit the top drawer back

Fit the top drawer back **9** between the top drawer sides **7** and **8**.

Make sure that the drawer base **14** fits into the groove in the top drawer back **9**.

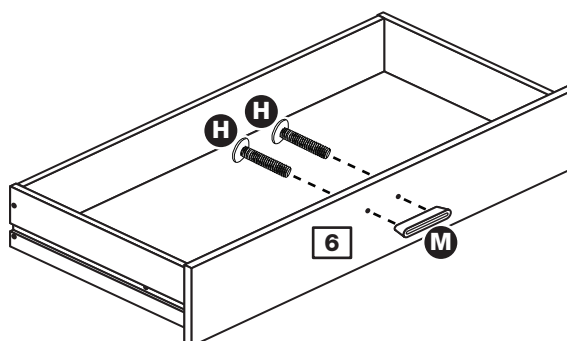
Hold the top drawer back **9** in position and tap the knock-in pegs **F** through the holes in the top drawer sides **7** and **8**.



Step 6

Attach the handle

Attach a handle **M** to the top drawer front **6** using screws **H**.

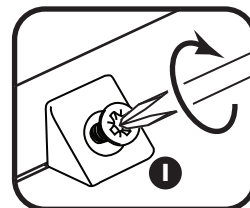
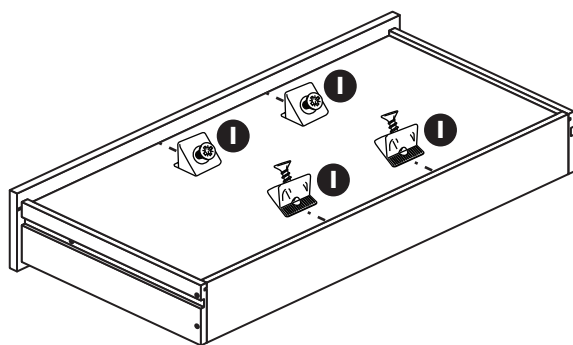


Assembly Instructions

Step 7

Fit the wedgfixes

Turn the top drawer assembly over and slide 4 wedgfixes **I** into the front and back grooves, as shown, and tighten up the screws.

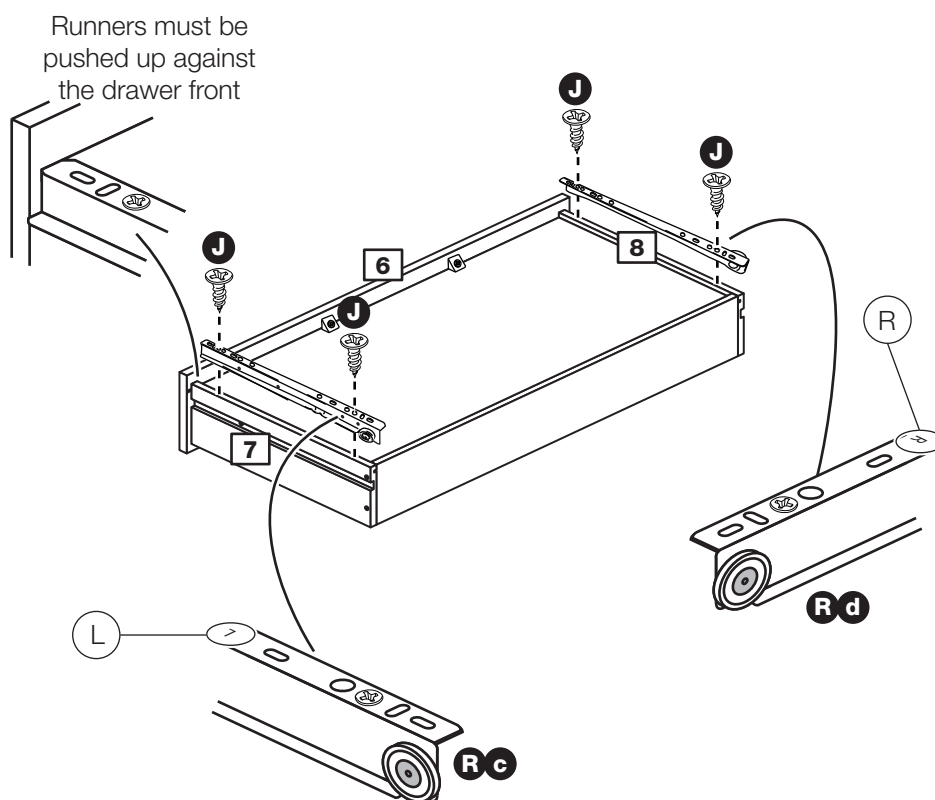


Step 8

Fit the runners

Fit a runner **Rd**, marked with 'R', to the bottom edge of the top right drawer side **8**, as shown, making sure that it is pushed up against the back of the top drawer front **6**. Use a bradawl to mark the fixing positions, then secure with 2 screws **J**.

Fit runner **Rc**, marked 'L', to the bottom edge of the top left drawer side **7** using the same method.



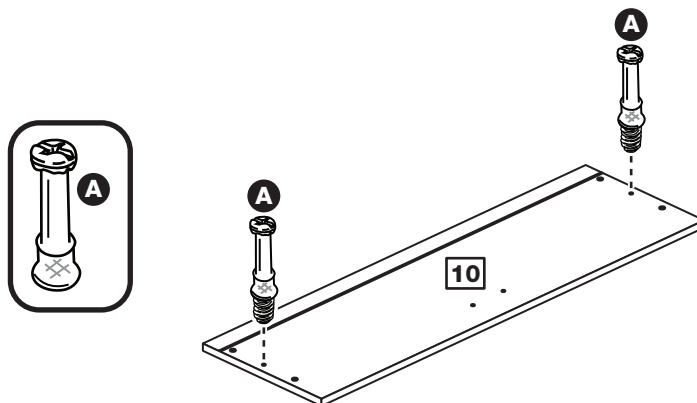
Assembly Instructions

Step 9

Prepare the bottom drawer front

Screw 2 metal dowels **A** into the bottom drawer front **10**.

Note: Tighten the metal dowels up fully against the panels.

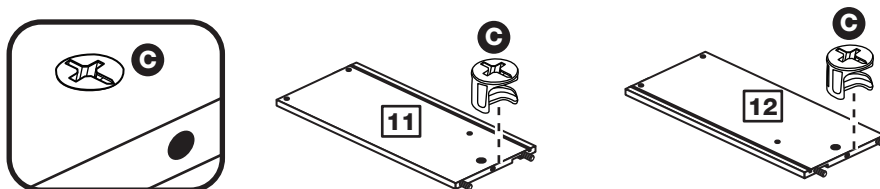


Step 10

Prepare the bottom drawer sides

Insert a small locking nut **C** into the hole shown on the bottom left drawer side **11** and the bottom right drawer side **12**.

Note: The arrow on the locking nut **must** point towards the hole in the edge of the panel.



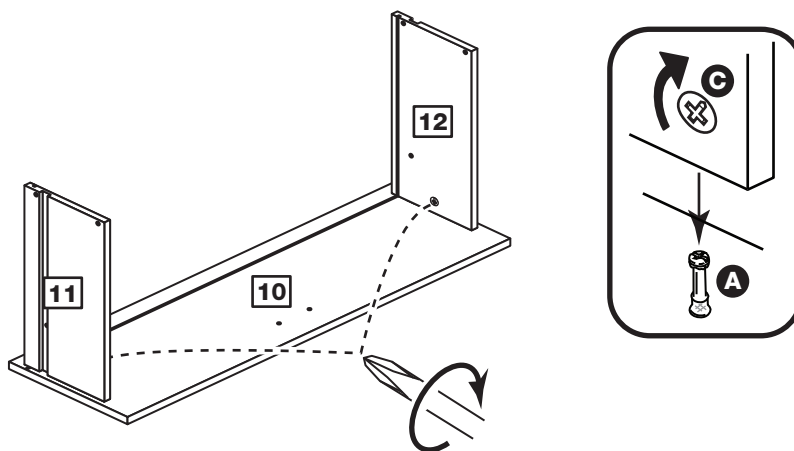
Step 11

Attach the bottom drawer sides to the bottom drawer front

Push the bottom left drawer sides **11** and bottom right drawer sides **12** onto the back of the bottom drawer front **10**.

Turn the small locking nuts **C** on the bottom left drawer side **11** and bottom right drawer side **12**.

Note: Turn the locking nuts **C** clockwise to secure panels - more than 1/2 a turn.

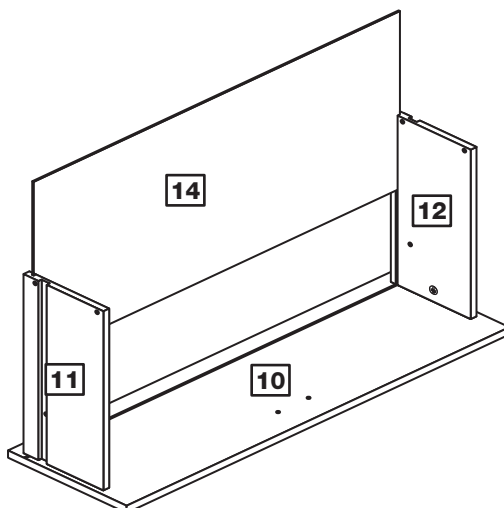


Assembly Instructions

Step 12

Fit the drawer base

Slide the drawer base **14** down the grooves in the bottom drawer sides **11** and **12** and down into the groove in the bottom drawer front **10**.



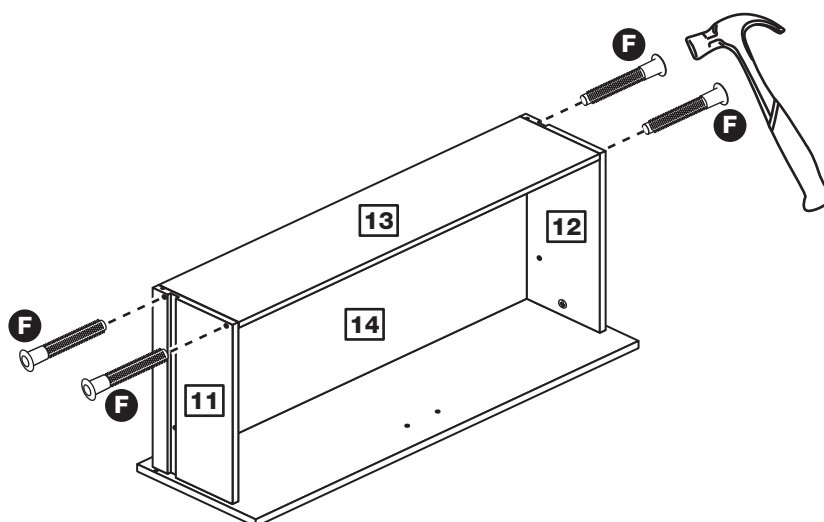
Step 13

Fit the bottom drawer back

Fit the bottom drawer back **13** between the bottom drawer sides **11** and **12**.

Make sure that the drawer base **14** fits into the groove in the bottom drawer back **13**.

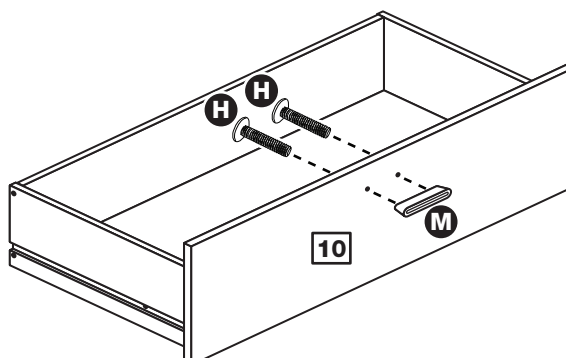
Hold the bottom drawer back **13** in position and tap the knock-in pegs **F** through the holes in the bottom drawer sides **11** and **12**.



Step 14

Attach the handle

Attach a handle **M** to the bottom drawer front **10** using screws **H**.

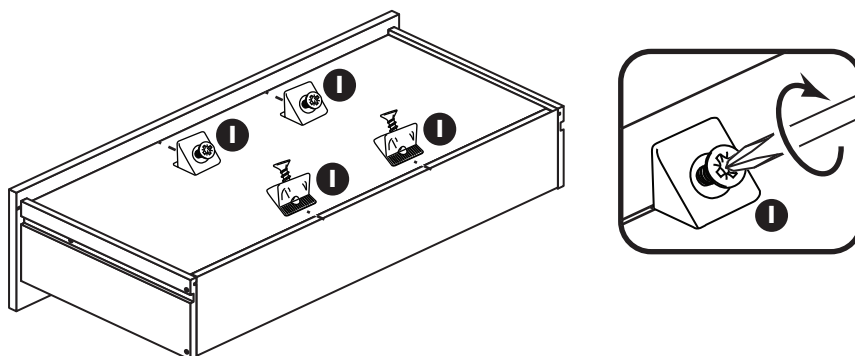


Assembly Instructions

Step 15

Fit the wedgexes

Turn the bottom drawer assembly over and slide 4 wedgexes **I** into the front and back grooves, as shown, and tighten up the screws.

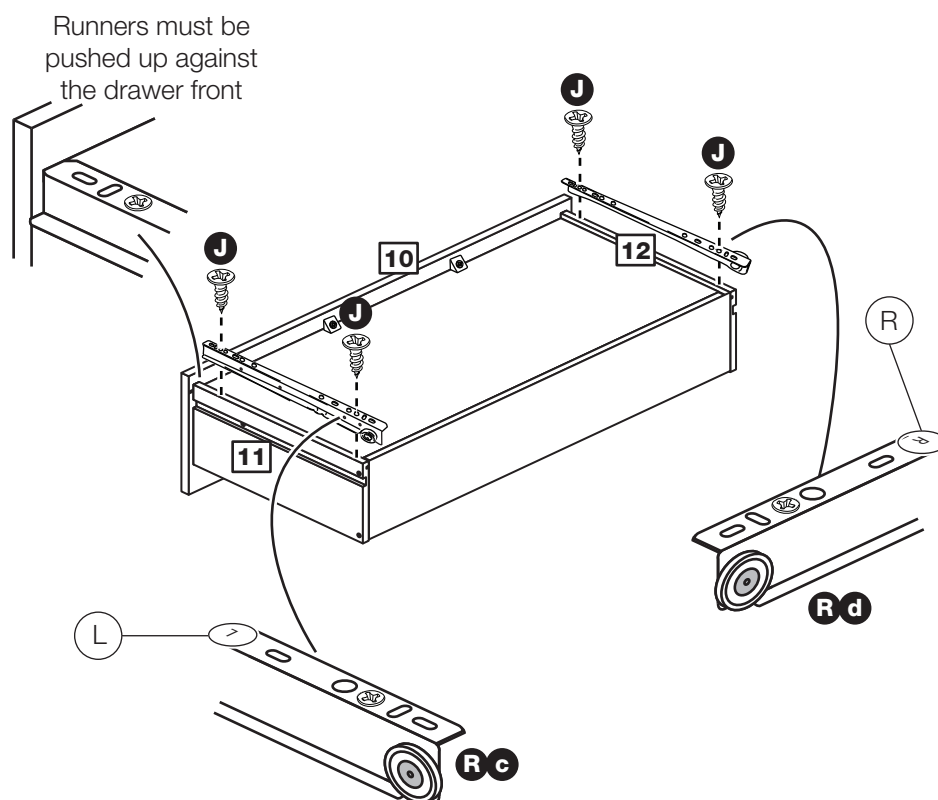


Step 16

Fit the runners

Fit a runner **Rd**, marked with 'R', to the bottom edge of the bottom right drawer side **12**, as shown, making sure that it is pushed up against the back of the bottom drawer front **10**. Use a bradawl to mark the fixing positions, then secure with 2 screws **J**.

Fit runner **Rc**, marked 'L', to the bottom edge of the bottom left drawer side **11** using the same method.



Assembly Instructions

Step 17

Prepare the left side

a: Fit 2 runners **Rb** to the left side **1**.

The 1st screw **K** uses the 1st hole in from the front of the runners.

The 2nd and 3rd screws **K** use the holes that line up with the other panel holes.

b: Fit a screw **J** into the 2nd hole in at the top of the runners **Rb**.

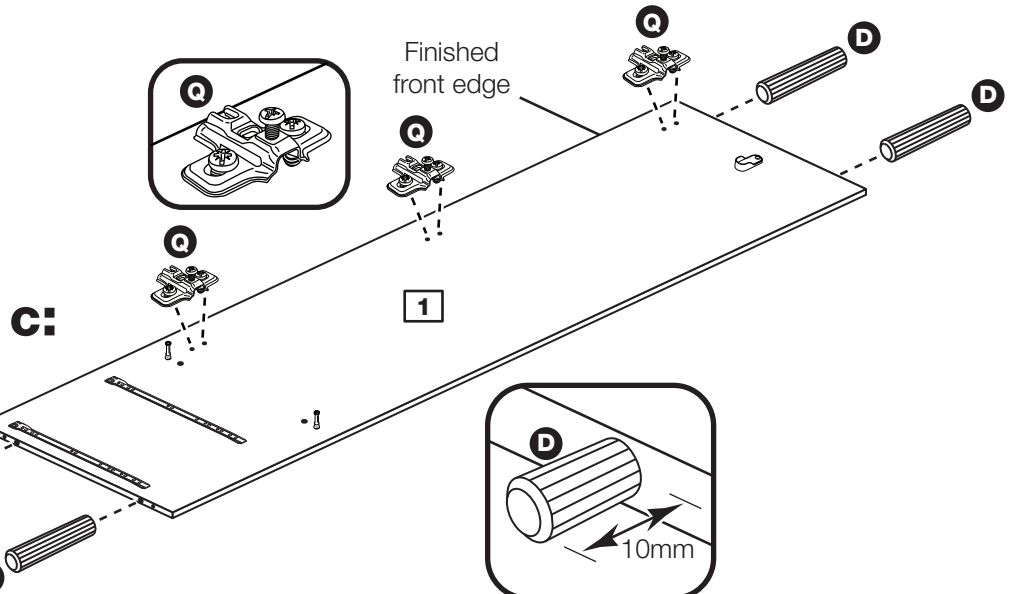
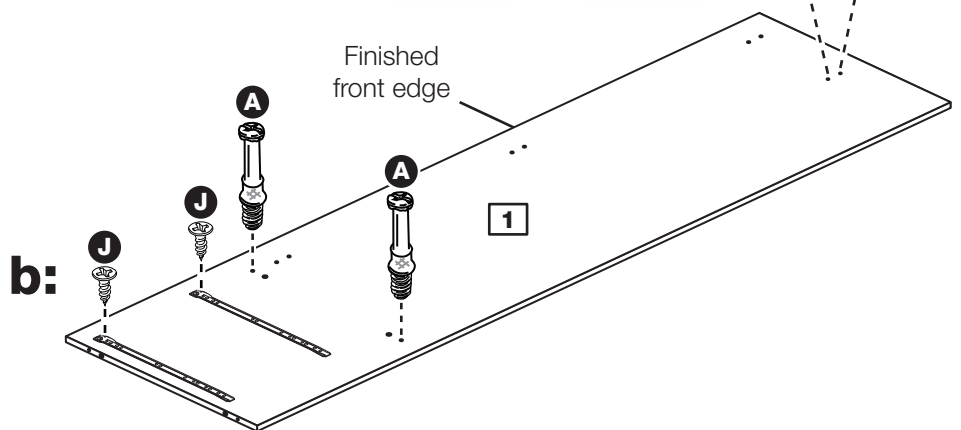
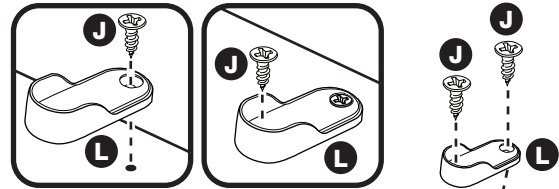
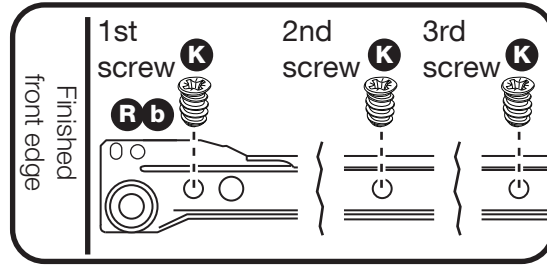
Screw 2 metal dowels **A** into the left side **1**.

To fit the rail holder **L**, screw through the top hole with screw **J** and into the mark hole drilled in the left side **1**. Make sure that it is fitted straight, in line with the panel edges and then fit another screw **J** using the lower hole.

c: Tap 4 wooden **D** dowels into the left side **1**.

Note: Wooden dowels **must not** stick out from the edge by more than 10mm or they may damage other panels.

Fit 3 hinge plates **Q** onto the left side **1**, making sure that the slot is facing towards the finished front edge.



Assembly Instructions

Step 18

Prepare the right side

a: Fit 2 runners **R b** to the right side **2**.

The 1st screw **K** uses the 1st hole in from the front of the runners.

The 2nd and 3rd screws **K** use the holes that line up with the other panel holes.

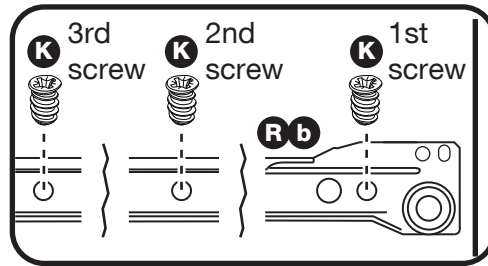
b: Fit a screw **J** into the 2nd hole in at the top of the runners **R b**.

Screw 2 metal dowels **A** into the right side **2**.

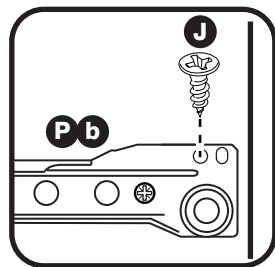
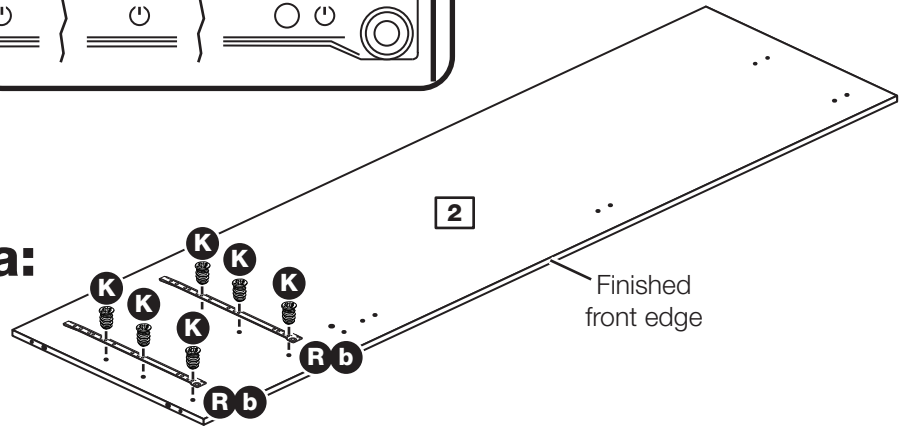
To fit the rail holder **L**, screw through the top hole with screw **J** and into the mark hole drilled in the right side **2**. Make sure that it is fitted straight, in line with the panel edges and then fit another screw **J** using the lower hole.

c: Tap 4 wooden **D** dowels into the right side **2**.

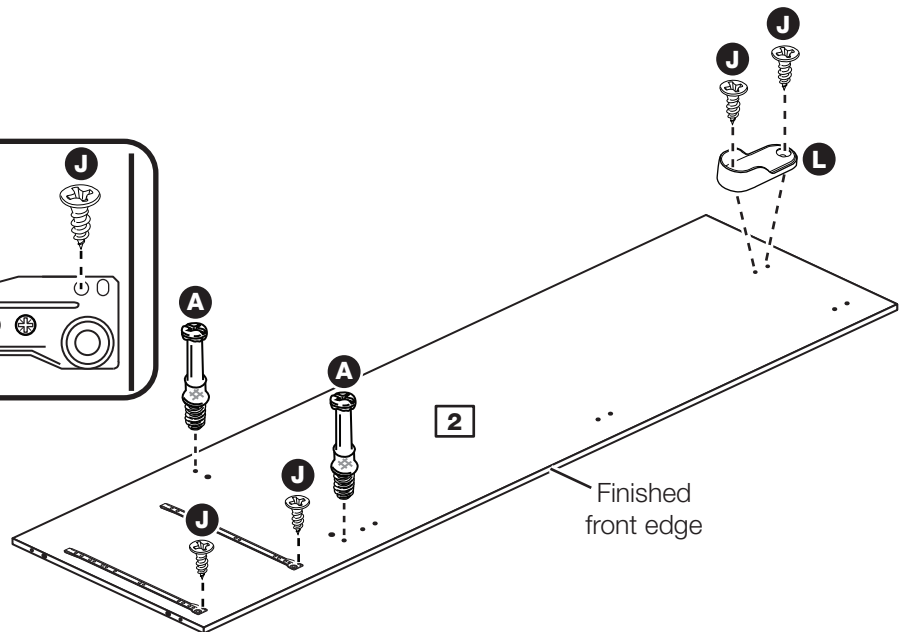
Fit 3 hinge plates **Q** onto the right side **2**, making sure that the slot is facing towards the finished front edge.



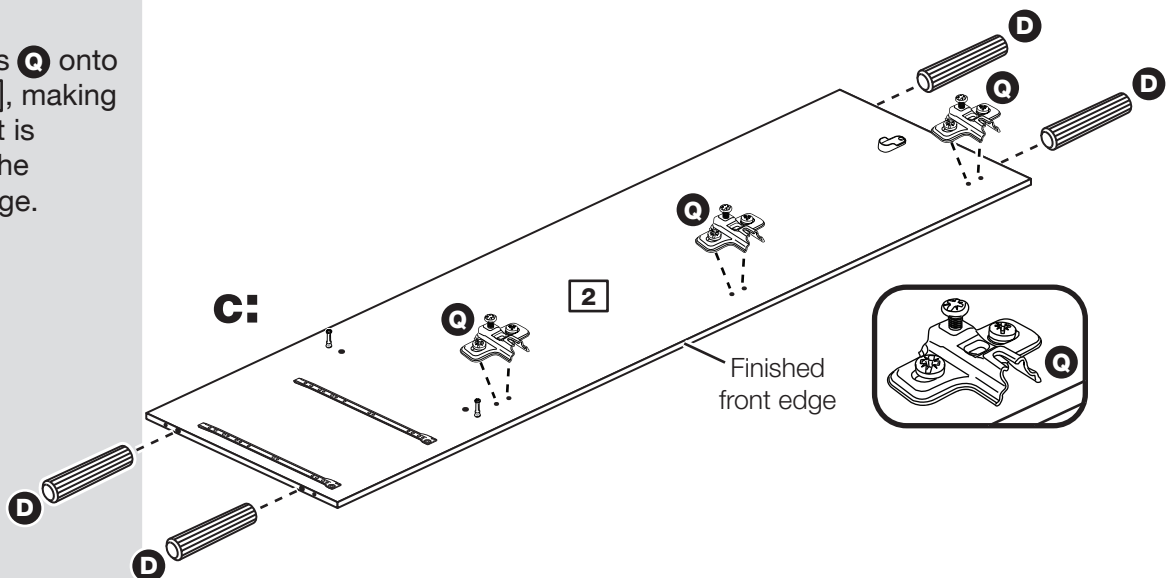
a:



b:



c:



Assembly Instructions

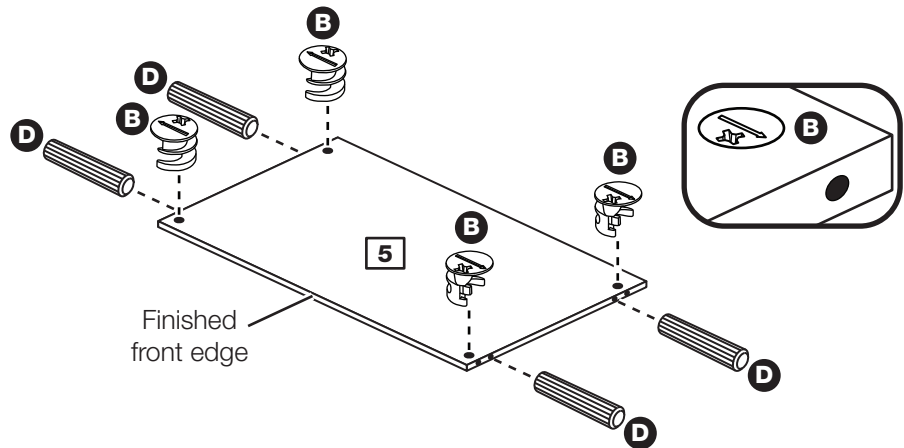
Step 19

Prepare the horizontal

Insert 4 large locking nuts **B** into the horizontal **5**.

Note: The arrow on the locking nut **must** point towards the hole in the edge of the panel.

Tap 4 wooden dowels **D** into the horizontal **5**.



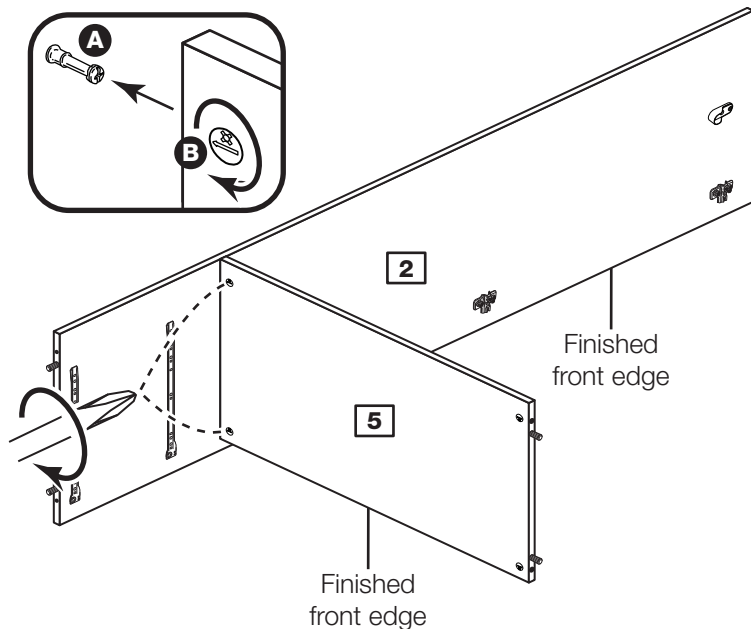
Step 20

Fit the right side to the horizontal

Push the horizontal **5** onto the right side **2**.

Use a screwdriver to tighten the 2 large locking nuts **B** fitted to the horizontal **5**.

Note: Turn the large locking nuts **B** as far as they will go - more than 1/2 a turn.

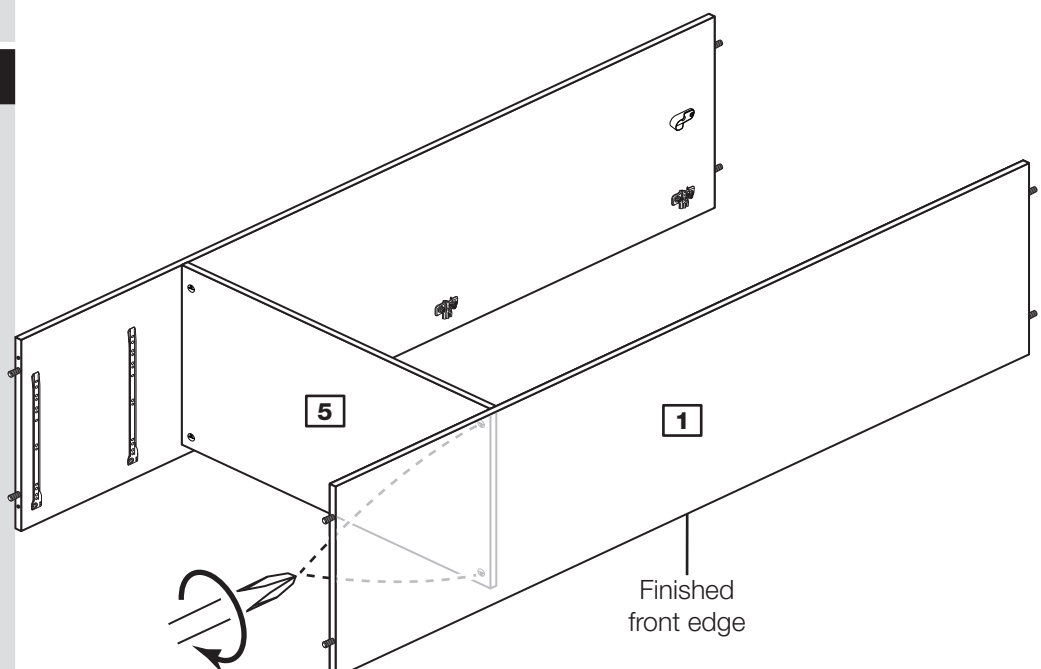


Step 21

Fit the left side

Push the left side **1** onto the horizontal **5**.

Use a screwdriver to tighten the 2 large locking nuts **B** fitted to the horizontal **5**.



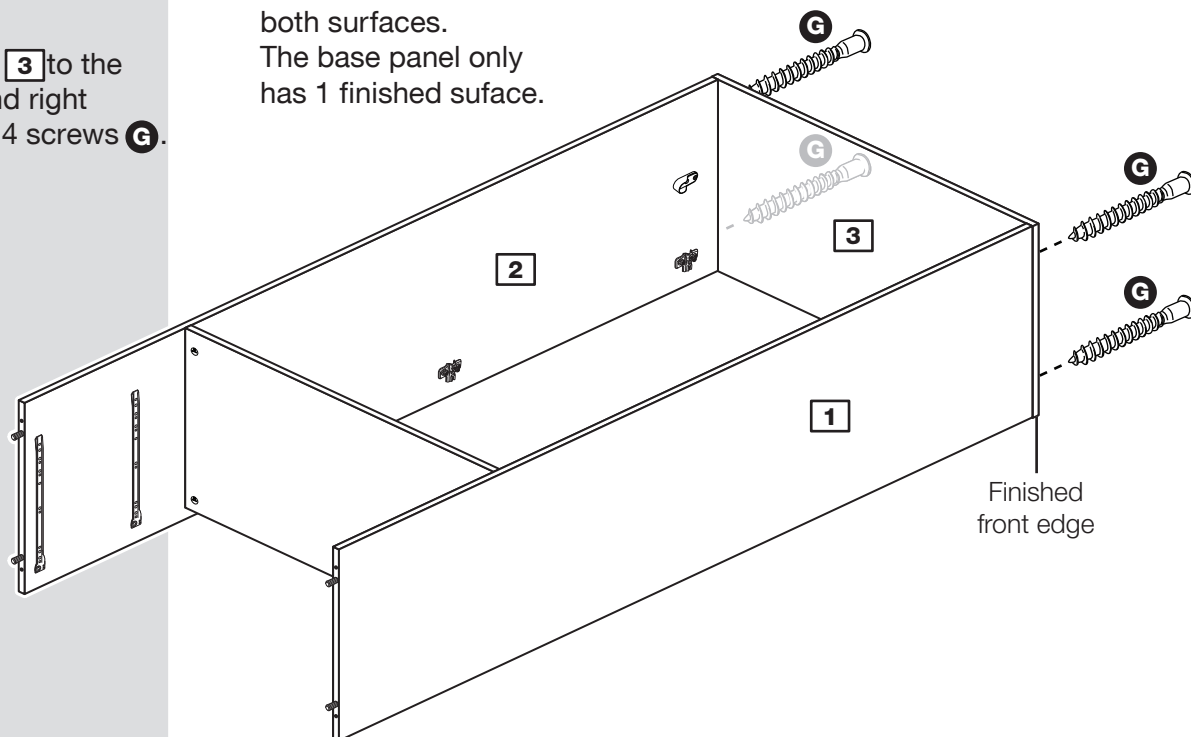
Assembly Instructions

Step 22

Fit the top

Attach the top **3** to the left side **1** and right side **2** using 4 screws **G**.

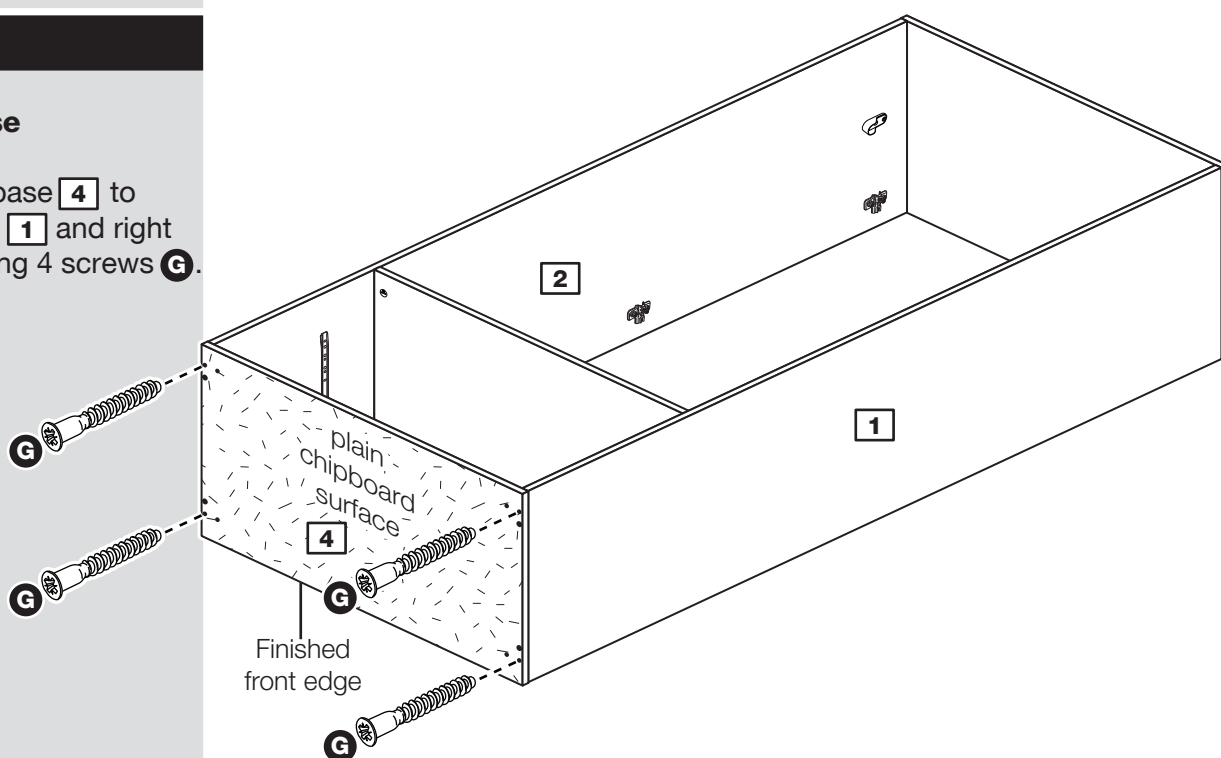
Note: The top panel has been finished on both surfaces. The base panel only has 1 finished surface.



Step 23

Fit the base

Attach the base **4** to the left side **1** and right side **2** using 4 screws **G**.

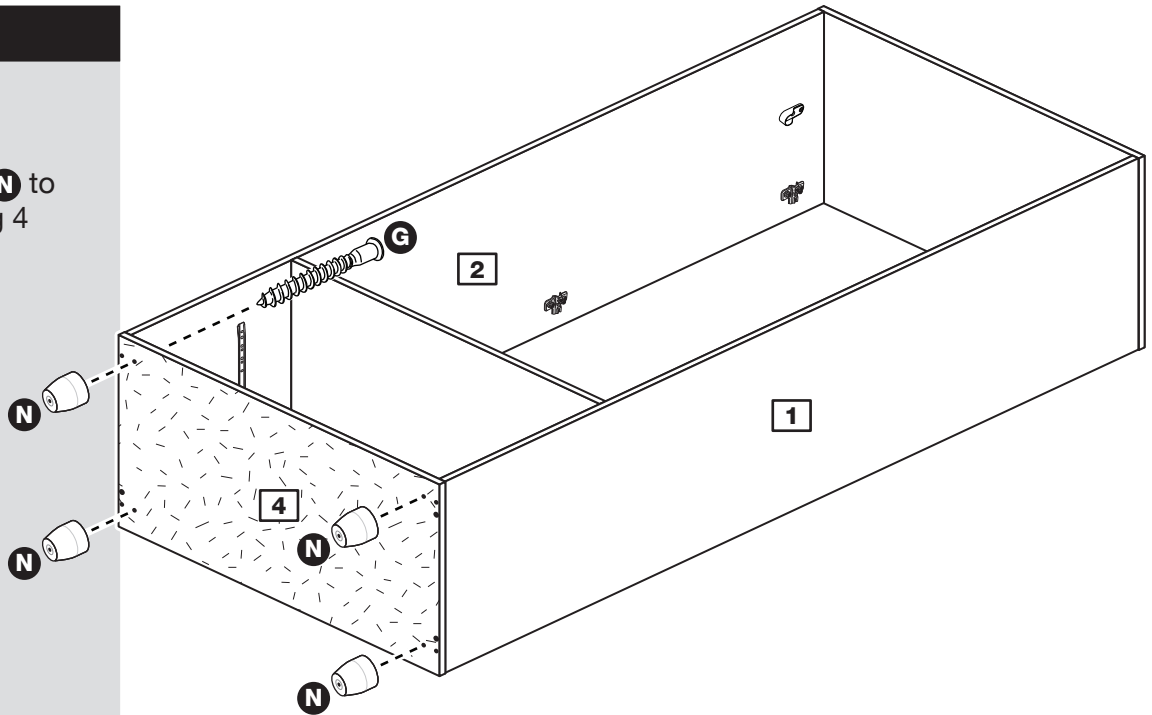


Assembly Instructions

Step 24

Fit the feet

Attach the 4 feet **N** to the base **4** using 4 screws **G**.



Step 25

Fit the back

a: Square up the unit by making sure that measurement **x to x** equals **y to y**.

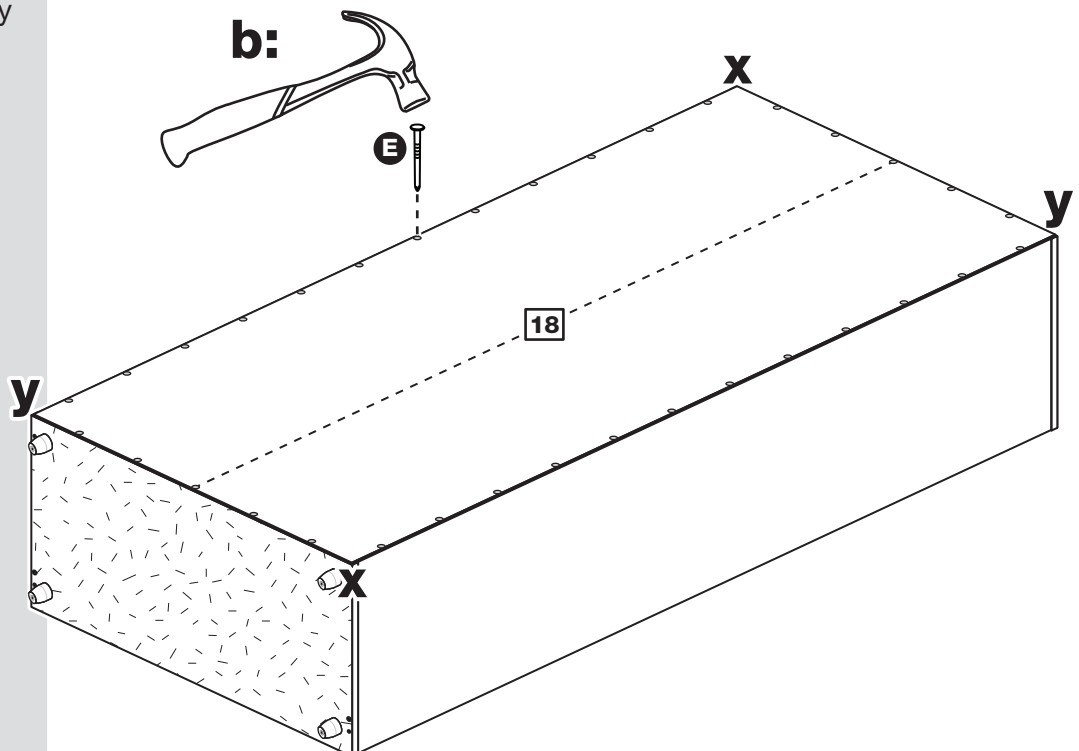
b: Place the back **18** onto the unit.

Nail **E** around the outside edges of the back **18**.

Note: Nails should be spaced about 150mm apart.

Carefully stand the unit up for the next step.

a: The measurement from top corner X to bottom corner X must be equal to the measurement from top corner Y to bottom corner Y



Warning: The unit is heavy. Lift with care.

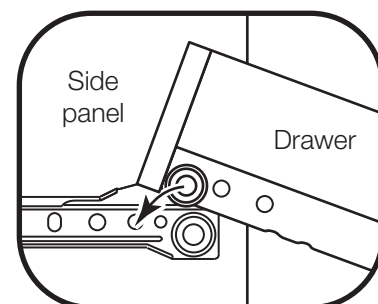
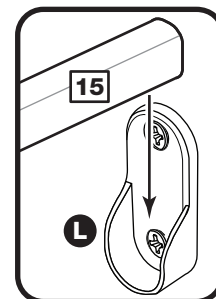
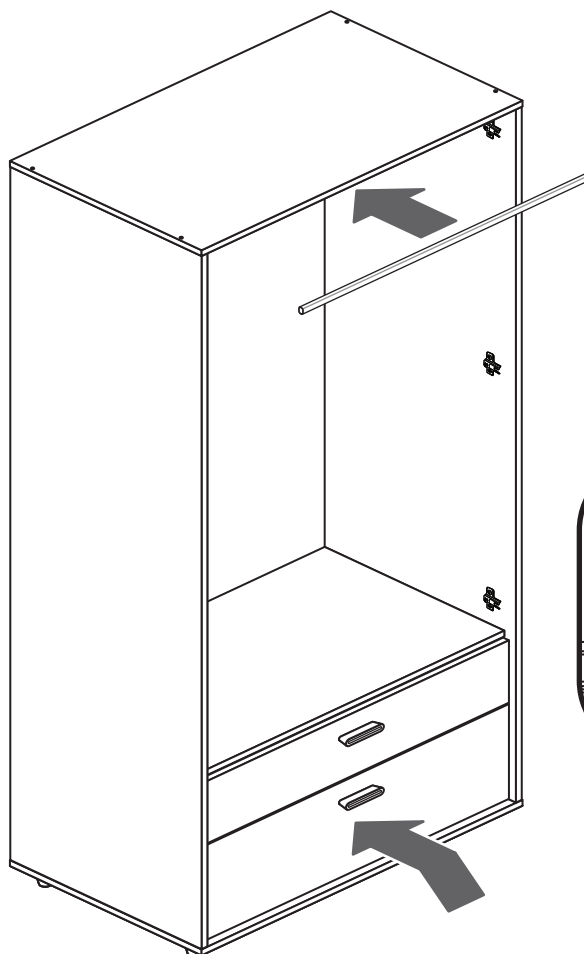
Assembly Instructions

Step 26

Fit the drawers and hanging rail

Push the hanging rail **15** into the rail holders **L**.

Slide the wheels of the runners fitted to the drawers, over the wheels of the runners fitted to the side panels and push the drawers into position.



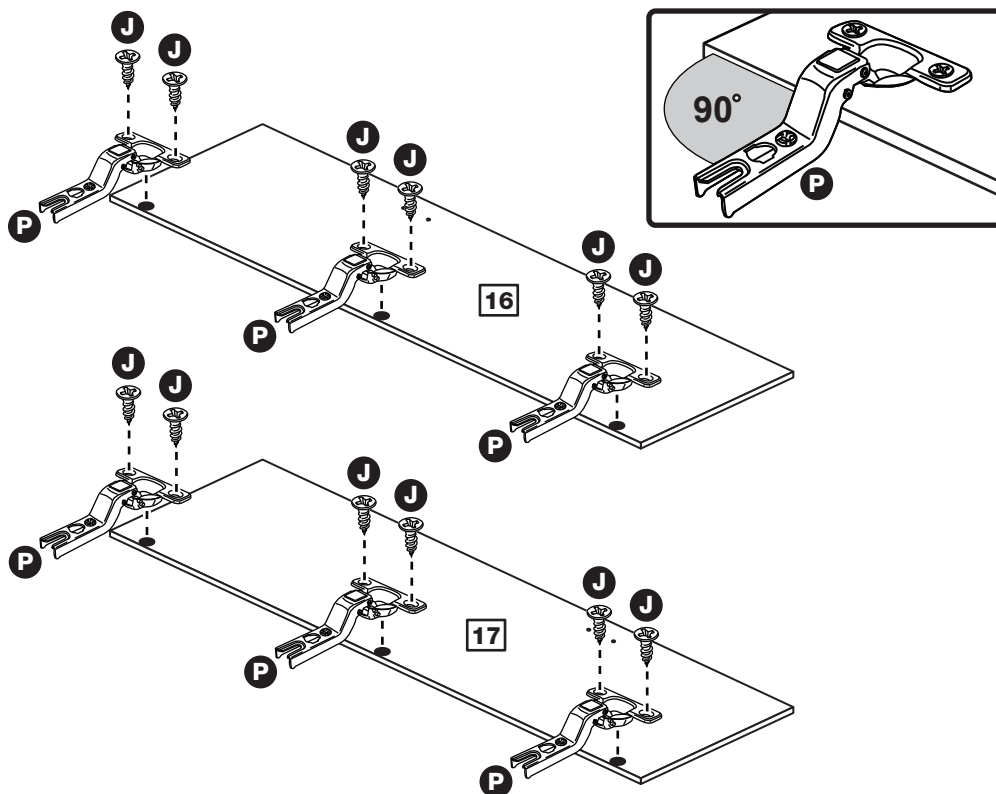
Step 27

Prepare the 2 doors

Push fit 3 hinges **P** into each of the 2 doors **16** and **17**.

Secure each hinge with 2 screws **J**.

Note: Before securing with the screws, make sure that the hinges are positioned at 90 degrees with the edge of the door.



Assembly Instructions

Step 28

Fit doors and handles

Note: The easiest way to attach each door **16** and **17** is to fit the top hinge first, then align and fit the other hinges.

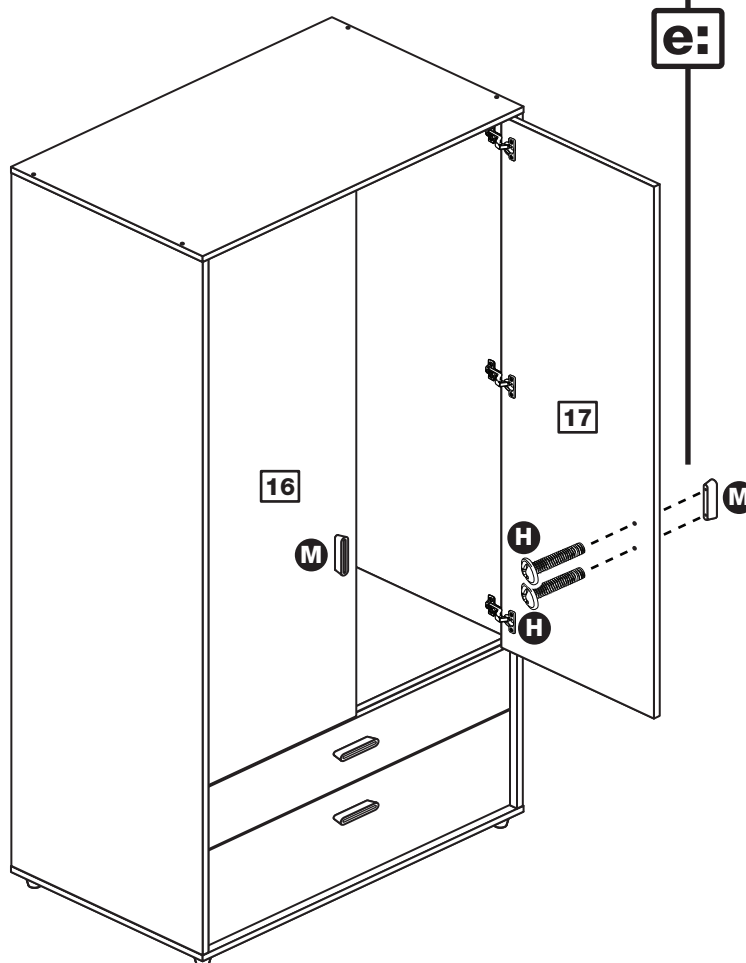
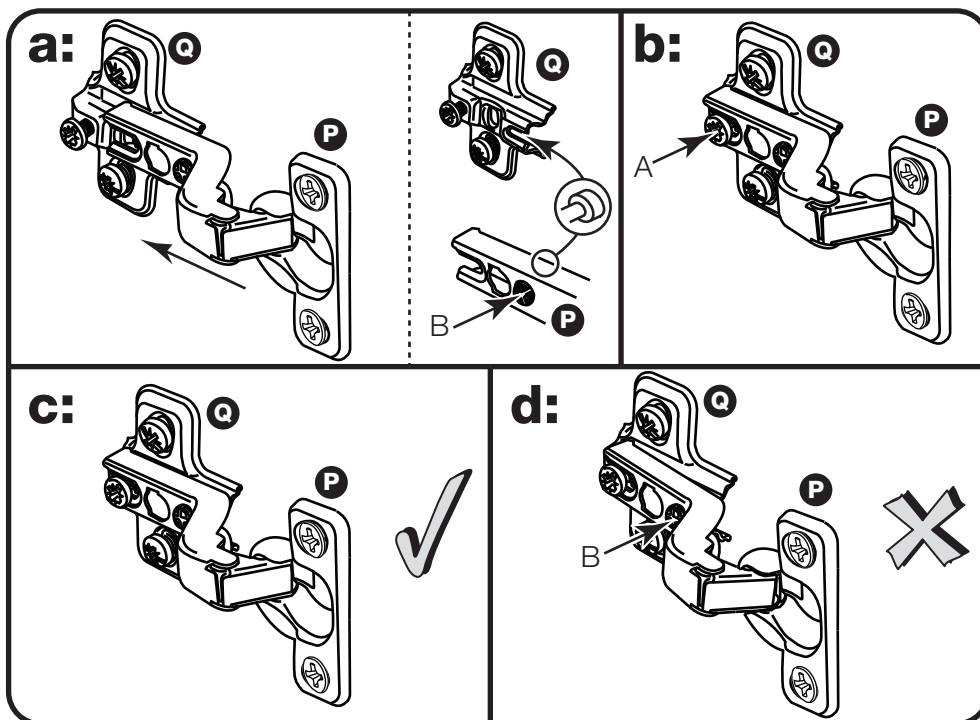
a: Push the hinge **P** onto the front part of the hinge plate **Q**. The recess at the bottom of screw B goes into the slot in the hinge plate.

b: Keep the hinge **P** FLAT against the hinge plate **Q** as you slide it across as far as it will go. Tighten screw A.

c: The hinge **P** must be flat against the hinge plate **Q** prior to any adjustment.

d: The hinge **P** must NOT be AT AN ANGLE to the hinge plate **Q** when assembled. This would indicate that the recess at the bottom of screw B had not located in the slot in the hinge plate and the hinge would not be secure. Remove the hinge from the hinge plate and then re-assemble being careful to follow instructions a-c.

e: Attach a handle **M** to each door **16** and **17** using screws **H**.



Assembly Instructions

Step 29

Adjust the doors if needed

a: Before adjusting the doors, use a spirit level to check the base (or top) of the unit is level, front-to-back and side-to-side in the 3 positions shown. Use suitable packing pieces (not supplied) to make the unit level BEFORE making any adjustment to the hinges, as shown.

b: Height adjustment.

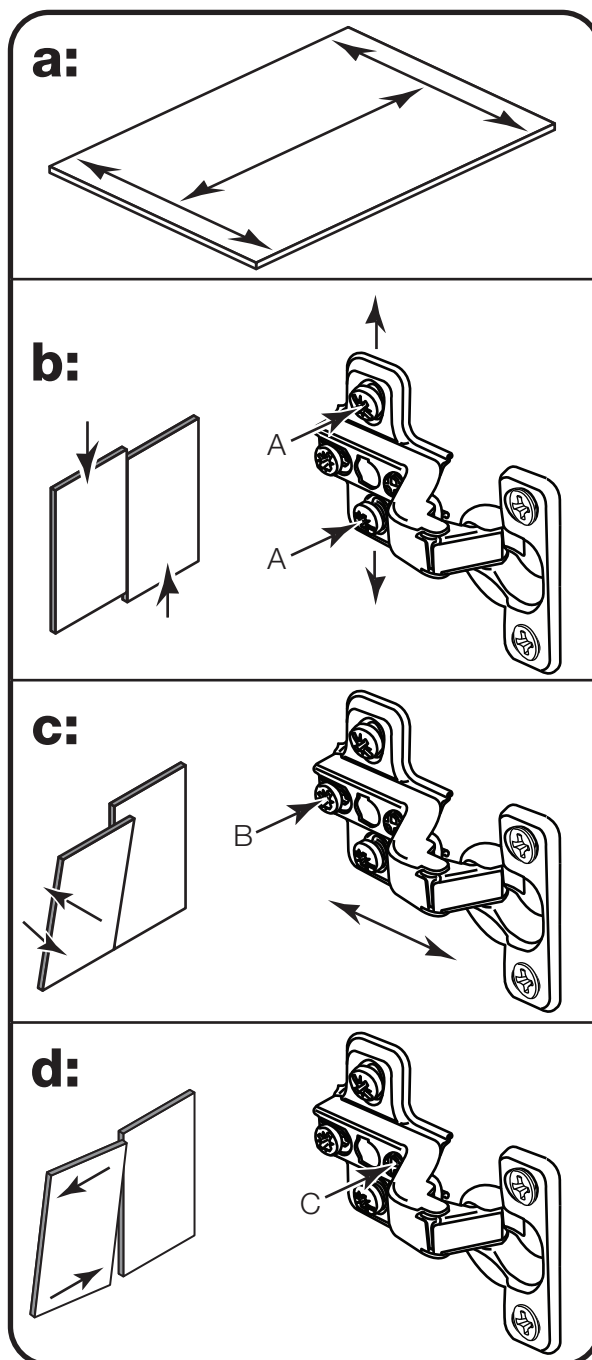
Loosen screws A on hinge plates and move door up or down as required. Retighten screw A.

c: Forward and Back adjustment.

Loosen screw B on hinge plate and move door in or out as required. Retighten screw B.

d: Sideways adjustment.


To move door 'out' loosen screw C. To move door 'in' tighten screw C.



Assembly Instructions

Step 30

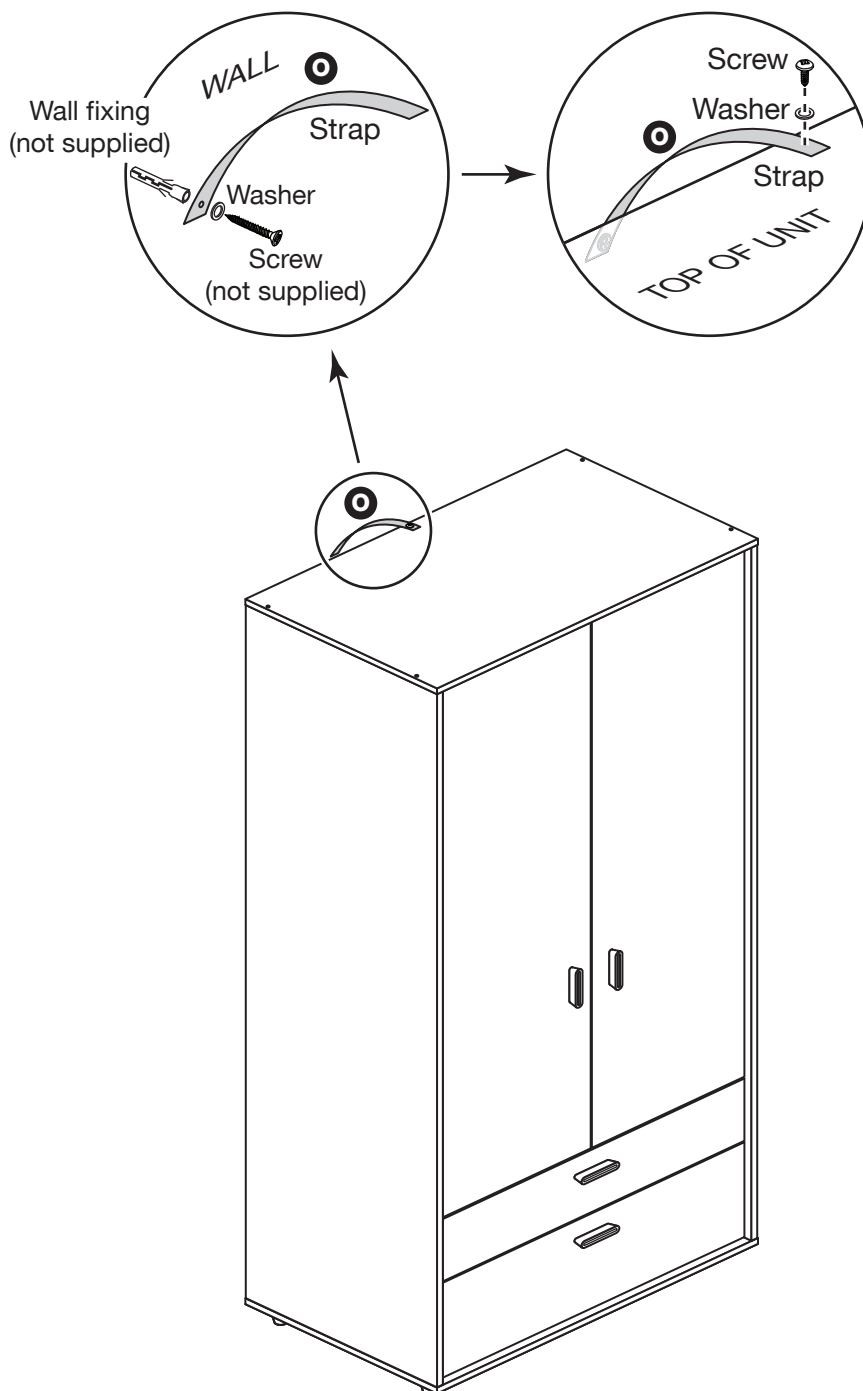
Fit the overbalance protector

To prevent possible overbalancing we recommend that this unit is secured to a suitable wall by use of the overbalance protector kit  fitted to the unit or, an alternative fixing method of your choice.

Wall fixings are not supplied as they will need to suit the wall type.

Note: Take care when drilling the wall that you do not drill into any pipes, wires etc. If in doubt, consult an expert.

Assembly is complete



If you need help or have damaged or missing parts, call the Customer Helpline: 08456 400800 and quote the reference numbers on the component pages.

Argos Ltd, 489-499 Avebury Boulevard, Central Milton Keynes, MK9 2NW

