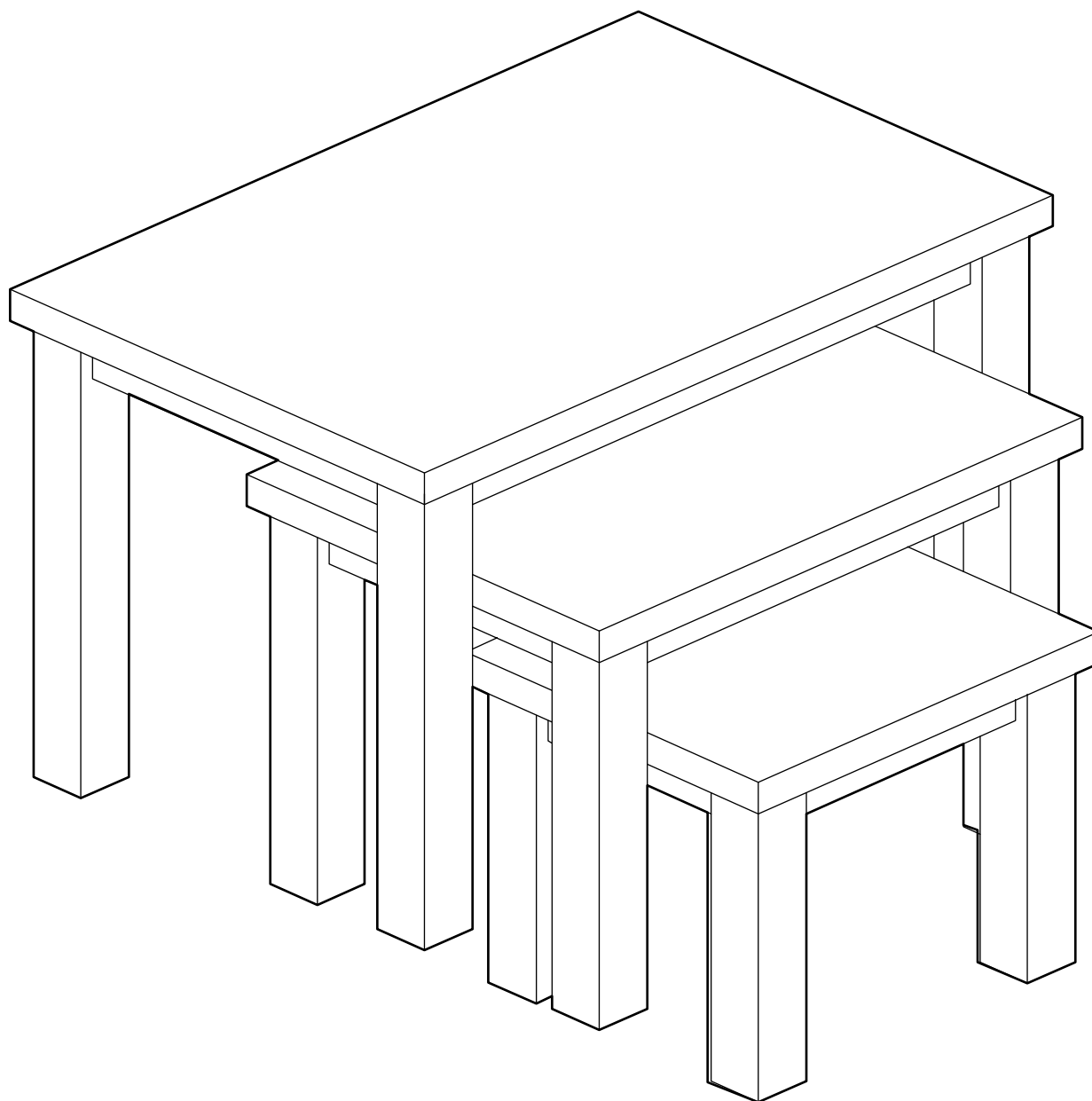


# Gloucester Nest of Tables

Assembly Instructions - Please keep for future reference

609/1233

357/6380



## Dimensions

Large	Medium	Small
Width - 53cm	Width - 40.7cm	Width - 28.7cm
Depth - 35cm	Depth - 29.8cm	Depth - 24.8cm
Height - 46.5cm	Height - 39.5cm	Height - 32cm

**Important** Please read these instructions fully before starting assembly

If you need help or have damaged or missing parts, call the

Customer Helpline: 08456 400800



# Safety and Care Advice

## Important – Please read these instructions fully before starting assembly

- Check you have all the components and fittings listed on page 2 and 3.
- Remove all fittings from the plastic bags and separate them into their groups.
- Keep children and animals away from the work area, small parts could choke if swallowed.
- Make sure you have enough space to layout the parts before starting.
- Keep this instructions for future use.
- Place the product on flat and steady surface during use.
- Dispose of all packaging carefully and responsibly.
- Do not stand or put excessive weight on the product, this could cause damage.

## Solid wood / Real wood veneers

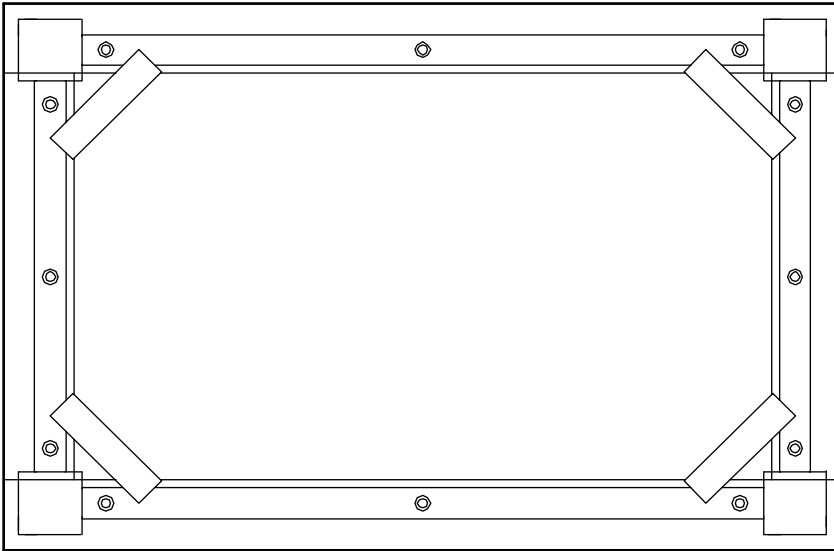
- This product has been finished using natural materials. As a living material, you may notice some variation in the grain and colour shade between the different components.
- Unlike a synthetic or man-made material which has a uniform finish, a feature of natural wood is its variation in grain and colour. We wish to reassure you that this is quite normal and is not the result of any manufacturing fault.
- Where sheets of wood are joined together, a line may be detected. Again, this is normal and is not an imperfection.
- The natural finish should be cared for by the periodic application of a good quality domestic furniture polish (Not silicone!!). Occasional / small spills should be removed immediately using a damp cloth.
- Do not allow hot articles to come into contact with the surface, as damage will occur!

## Care and maintenance

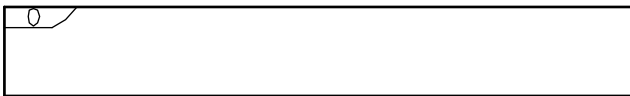
- Clean using a damp cloth or a proprietary domestic furniture polish. Do not use abrasive cleaners.
- This product should not be discarded with household waste. Take to your local authority waste disposal only.
- From time to time check that there are no loose screws on this unit.

# Components - Parts

Please check you have all the parts listed below



- 1** Table top (Large) (53 x 35cm)
- 3** Table top (Medium) (40.7 x 29.8cm)
- 5** Table top (Small) (28.7 x 24.8cm)



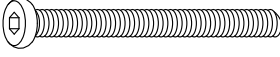


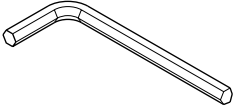
- 2** Leg (Long) x 4 (43.5 x 4cm)
- 4** Leg (Medium) x 4 (36 x 4cm)
- 6** Leg (Short) x 4 (28.5 x 4cm)

# Components - Fittings

If you have damaged or missing components, call the **Customer Helpline: 08456 400800**

Please check you have all the fittings listed below

**Note:** The quantities below are the correct amount to complete the assembly. In some cases more fittings may be supplied than are required.

<p><b>A</b></p>  <p>60mm Allen screw x 12</p>	<p><b>B</b></p>  <p>Spring washer x 12</p>	<p><b>C</b></p>  <p>Plain washer x 12</p>
<p><b>D</b></p>  <p>Allen key x 1</p>		

# Assembly Instructions

## Step 1

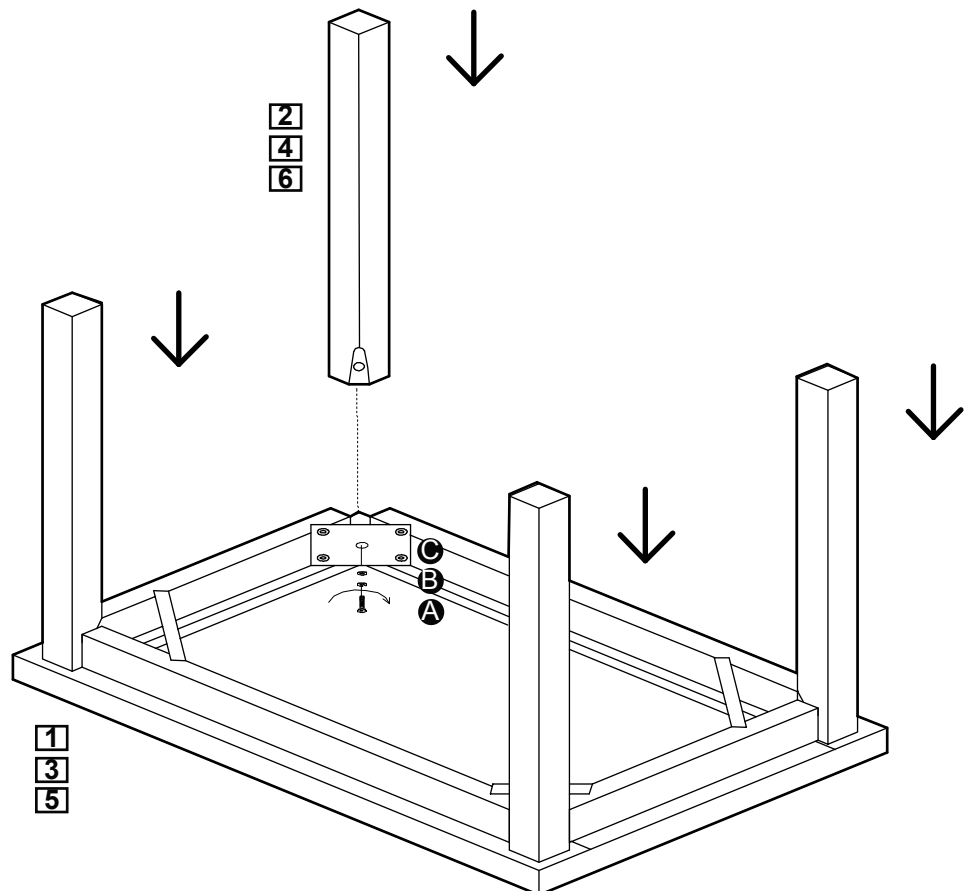
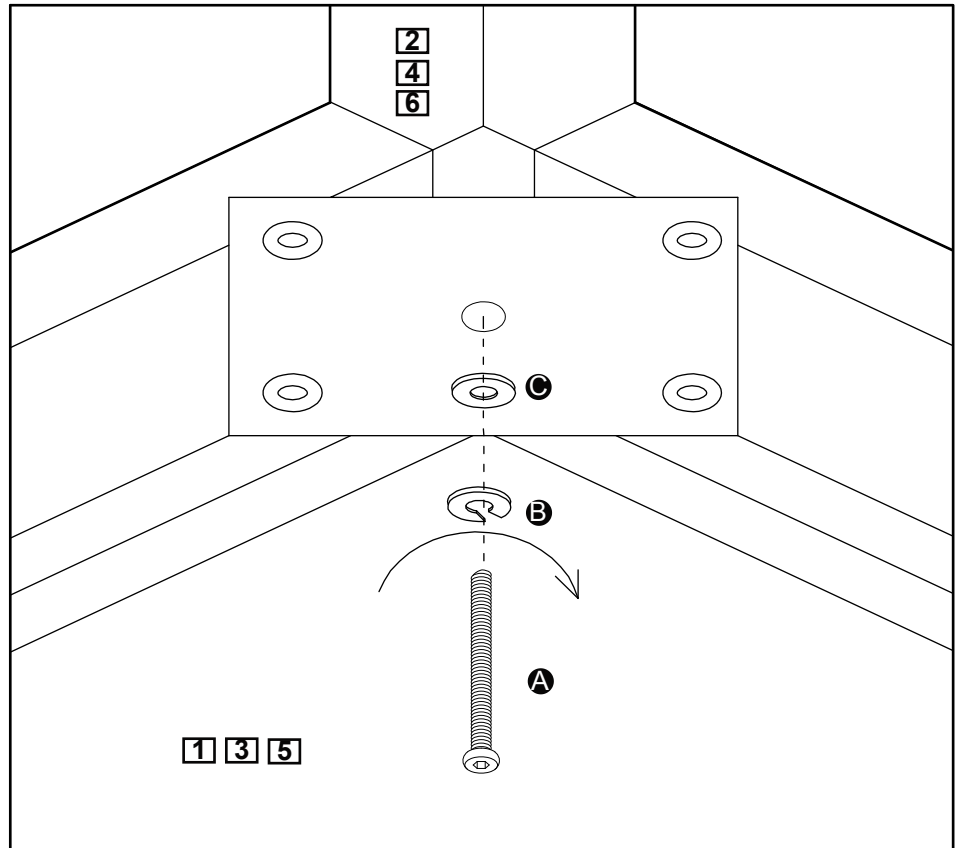
### Attaching legs

Place table top **1** upside down onto a clean flat surface.

Assemble legs **2** to table top **1** using fixings **A**, **B** and **C**.

Repeat for medium table using top **3** and legs **4**.

Repeat for small table using top **5** and legs **6**.



**Assembly is complete.**

If you need help or have damaged or missing parts, call the **Customer Helpline: 08456 400800**  
Home Retail Group, 489-499 Avebury Boulevard, Saxon Gate West, Central Milton Keynes, MK9 2NW