

4 Drawer Chest

Assembly Instructions - Please keep for future reference

227/6478

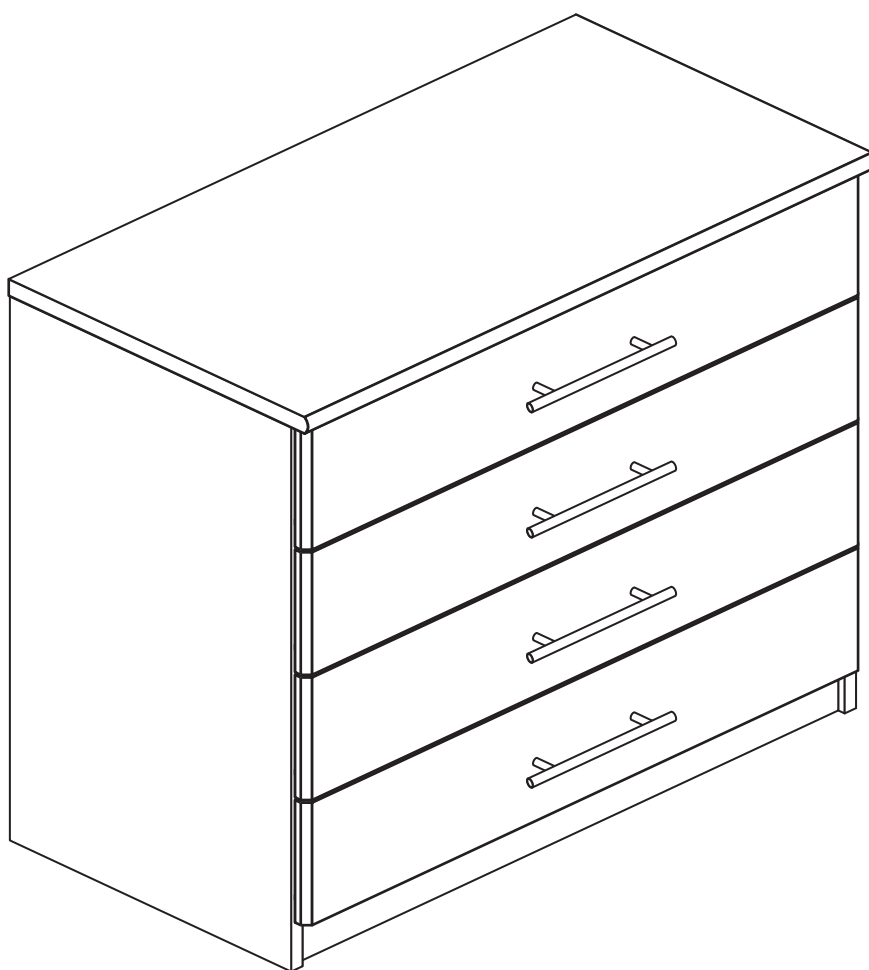
266/2185

244/2941

349/8042

356/9304

343/2709



Dimensions

Width - 75cm

Depth - 40cm

Height - 74.5cm



**MADE IN
BRITAIN**

Important - Please read these instructions fully before starting assembly

If you need help or have damaged or missing parts, call the **Customer Helpline: 08456 400800**



Safety and Care Advice

Important - Please read these instructions fully before starting assembly

- **Warning:** This unit weighs approximately 26kgs. Please lift with care.

- Check you have all the components and tools listed on pages 2 and 3.

- Remove all fittings from the plastic bags and separate them into their groups.

- Keep children and animals away from the work area, small parts could choke if swallowed.

- Parts of the assembly will be easier with 2 people.

- Make sure you have enough space to layout the parts before starting.

- Do not stand or put weight on the product, this could cause damage.

- Assemble the item as close to its final position (in the same room) as possible.

- Assemble on a soft level surface to avoid damaging the unit or your floor (use opened out unit carton).



- We do not recommend the use of power drill/drivers **for inserting screws**, as this could damage the unit. Only use hand screwdrivers.

- **Safety note:** If there is any chance of this unit being pulled over by children etc. it is recommended that the unit is secured to a wall using suitable fixings (not supplied).

- Dispose of all packaging carefully and responsibly.

Care and maintenance

- Only clean using a damp cloth and mild detergent, do not use bleach or abrasive cleaners.

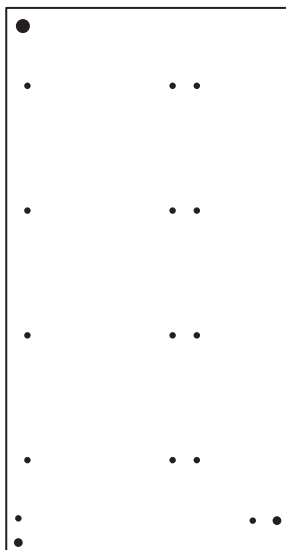
- From time to time check that there are no loose screws on this unit.

- This product should not be discarded with household waste. Take to your local authority waste disposal centre.

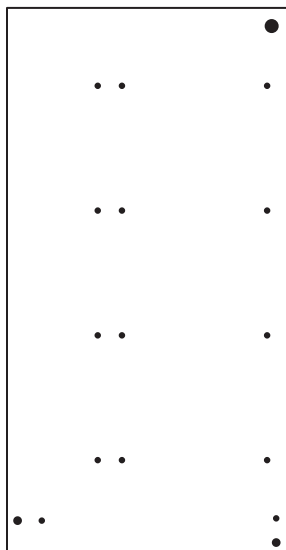
Note: If required the next page can be cut out and used as reference throughout the assembly. Keep this page with these instructions for future reference.

Components - Panels

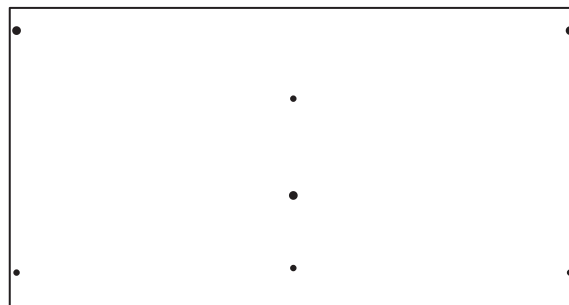
Please check you have all the panels listed below



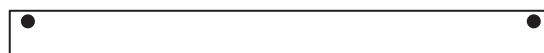
1 Left Side (D2198A)
(721 x 372mm)



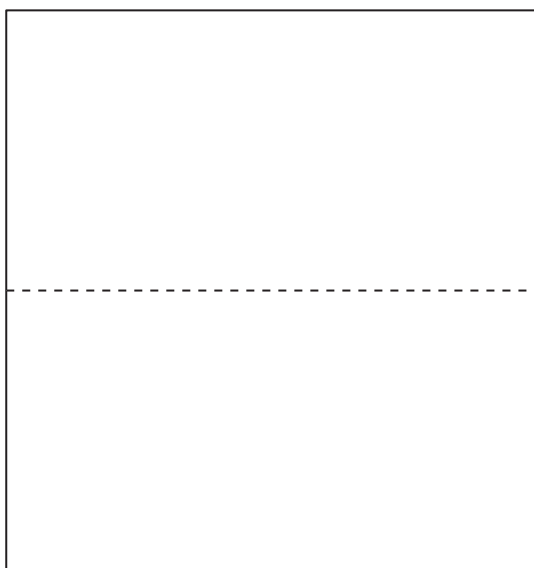
2 Right Side (D2199A)
(721 x 372mm)



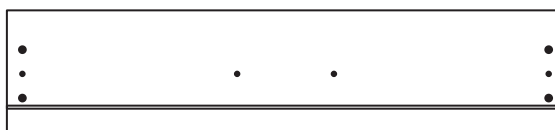
3 Top (D2200A)
(750 x 396mm)



4 Rail (D2201A)
(717 x 60mm) x 2



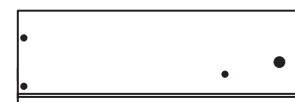
5 Back (X741-700)
(741 x 700mm)



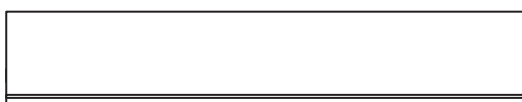
6 Drawer Front (D0218A)
(737 x 162mm) x 4



7 Left Drawer Side
(W370-124LH)
(370 x 124mm) x 4



8 Right Drawer Side
(W370-124RH)
(370 x 124mm) x 4



9 Drawer Back (W684-124)
(684 x 124mm) x 4




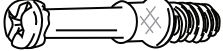


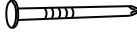

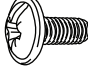

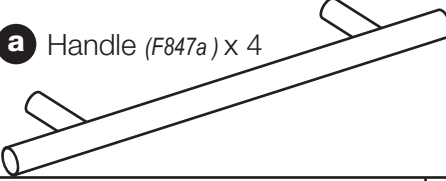




10 Drawer Base (T695-367)
(695 x 367mm) x 4



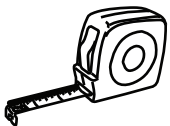
Components - Fittings

Please check you have all the fittings listed below

Note: The quantities below are the correct amount to complete the assembly. In some cases more fittings may be supplied than are required.

<p>A </p> <p>Wooden dowel (F22) x 6</p>	<p>B </p> <p>Metal dowel (F901) x 14</p>	<p>C </p> <p>Large locking nut (F900) x 6</p>
<p>D </p> <p>Small locking nut (F3) x 8</p>	<p>E </p> <p>Nail (F51) x 19</p>	<p>F </p> <p>9mm Screw (F73) x 16</p>
<p>G </p> <p>9mm Screw (F74) x 8</p>	<p>H </p> <p>Drawer runner (F1004) x 8</p>	
<p>I a  Handle (F847a) x 4</p>		<p>J </p> <p>Knock-in Peg (F171GY) x 16</p>
<p>I b  Handle screw (F847b) x 8</p>		<p>K </p> <p>Plastic Nail (F91) x 4</p>
<p>L </p> <p>Wedgefix (F639) x 16</p>		

Tools required



Rule



Cross-head screwdriver



Scissors

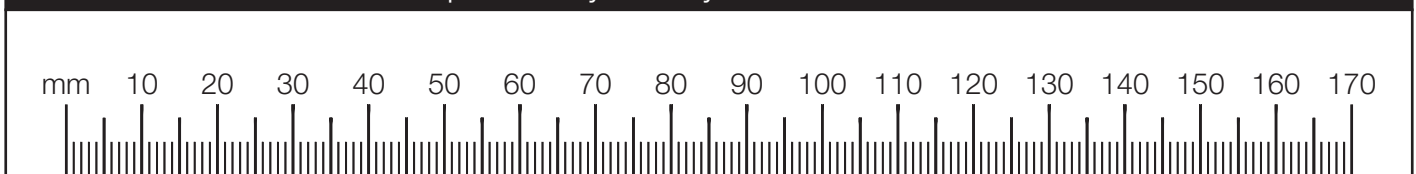


Hammer



Eye protection
(when using a hammer or drill)

Ruler - Use this ruler to help correctly identify the screws



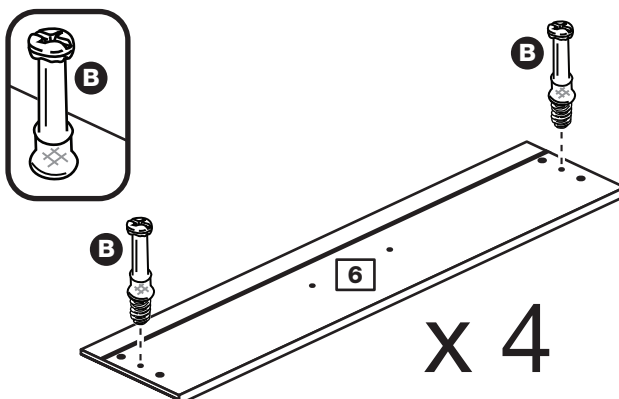
Assembly Instructions

Step 1

Prepare the drawer fronts

Screw 2 metal dowels **B** into the holes shown on the back of each drawer front **6**.

Note: Tighten metal dowels up fully against the panels.



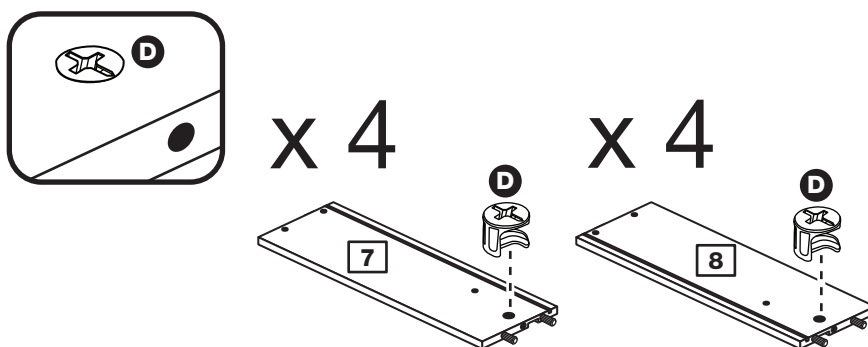
Step 2

Prepare the drawer sides

Insert a small locking nut **D** into the hole shown on the left drawer side **7** and right drawer side **8**.

Note: Arrow on locking nut **must** point towards hole in edge of panel.

Note: Due to the manufacturing process, the holes for the locking nut can be on either surface of the drawer sides.



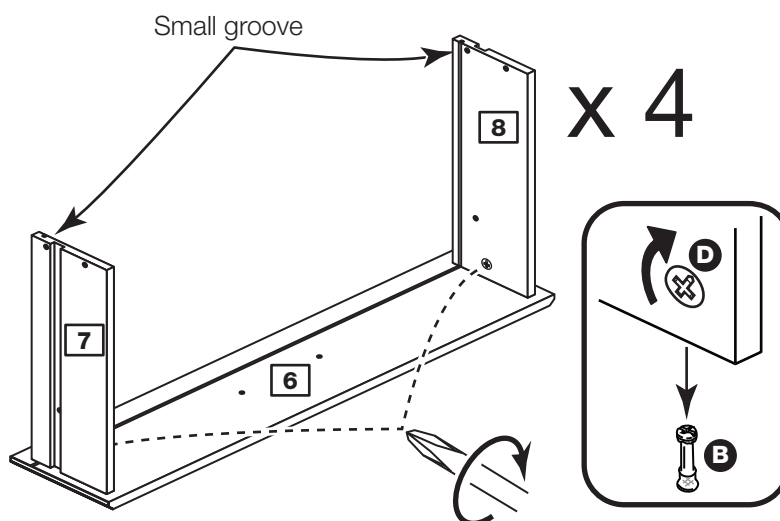
Step 3

Attach the drawer sides to the drawer front

Push the left drawer side **7** and right drawer side **8** onto the back of the drawer front **6**.

Turn the small locking nuts **D** on the left drawer side **7** and right drawer side **8**.

Note: Turn the locking nuts **D** clockwise to secure panels - more than 1/2 a turn.



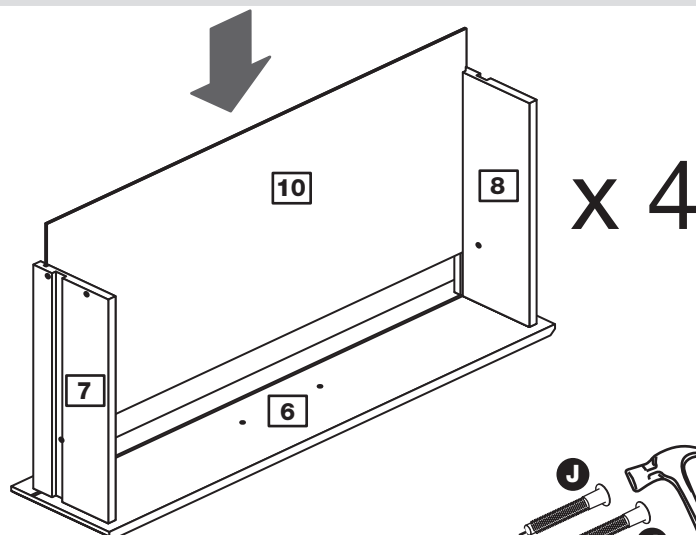
Note: The locking nuts can be on either surface of the drawer sides. Make sure that the small groove is on the inside, as shown.

Assembly Instructions

Step 4

Fit the drawer base

Slide the drawer base **10** down the grooves in the drawer sides **7** and **8** and down into the groove in the drawer front **6**.



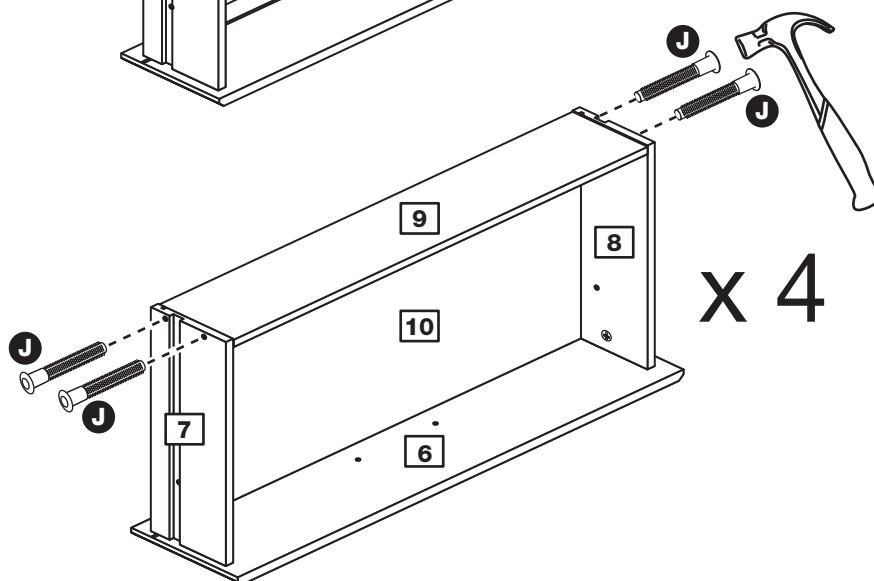
Step 5

Fit the drawer back

Fit the drawer back **9** between the drawer sides **7** and **8**.

Make sure that the drawer base **10** fits into the groove in the drawer back **9**.

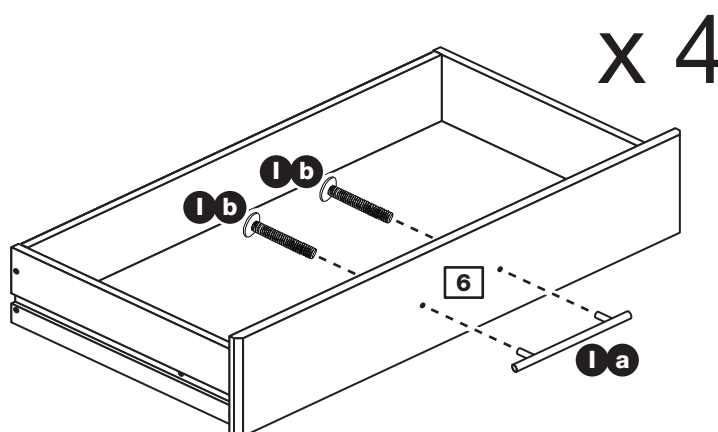
Hold the drawer back **9** in position and tap the knock-in pegs **J** through the holes in the drawer sides **7** and **8**.



Step 6

Attach the handles

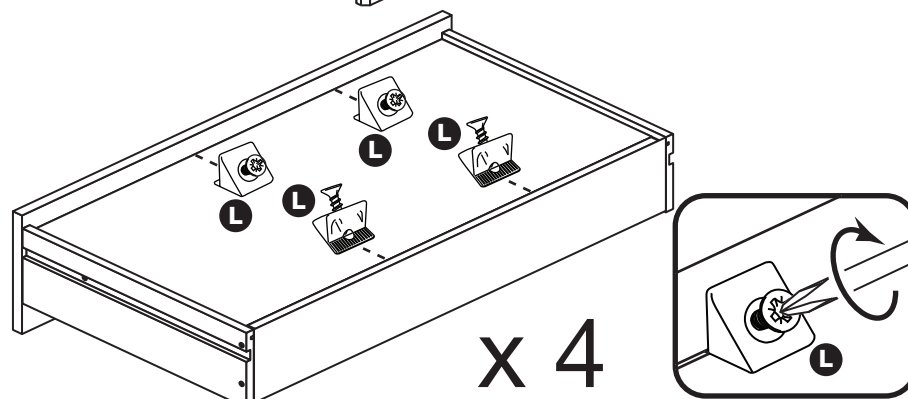
Attach a handle **1a** to each drawer front **6** using 2 screws **1b**.



Step 7

Fit the wedgifixes

Turn the drawer assemblies over and slide 2 wedgifixes **L** into the front and back grooves, as shown, and tighten up the screws.



Assembly Instructions

Step 8

Prepare the left side

a: Place 4 runners **H** on left side **1**. Slide back top of runner and use 2nd hole from the front to fit 1st screw **F**.

b: Slide runner back the other way and use 2nd hole from the back to fit 2nd screw **F**.

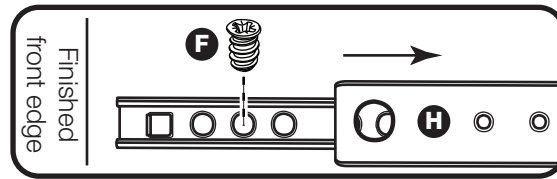
c: Insert 1 large locking nut **C** into the left side **1**.

Note: The arrow on the locking nut **must** point towards the hole in the edge of the panel.

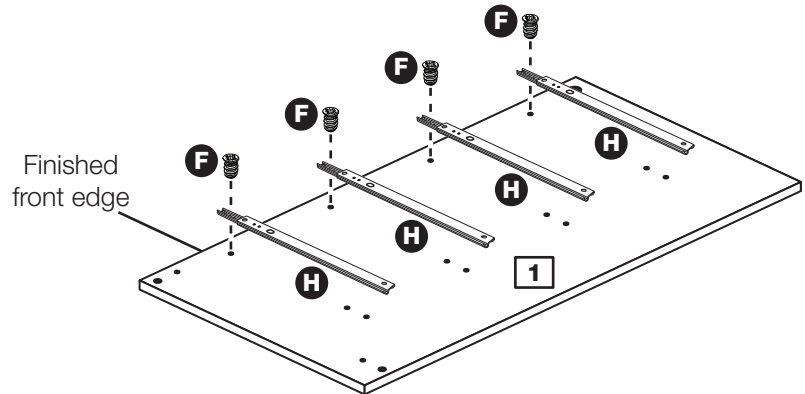
Tap a wooden dowel **A** into the left side **1**.

Note: Wooden dowels **must not** stick out from the edge by more than 10mm or they may damage other panels.

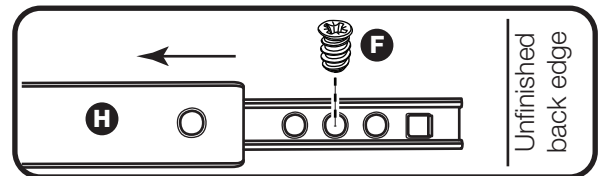
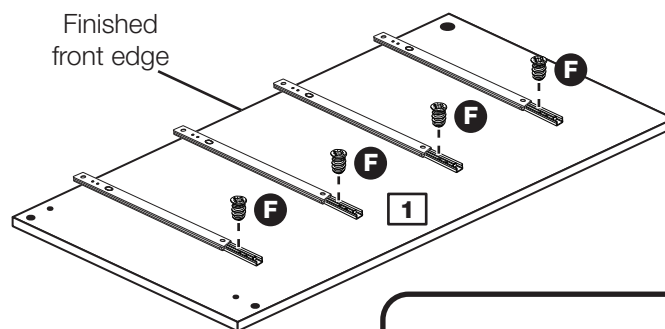
Screw 2 metal dowels **B** into the left side **1**.



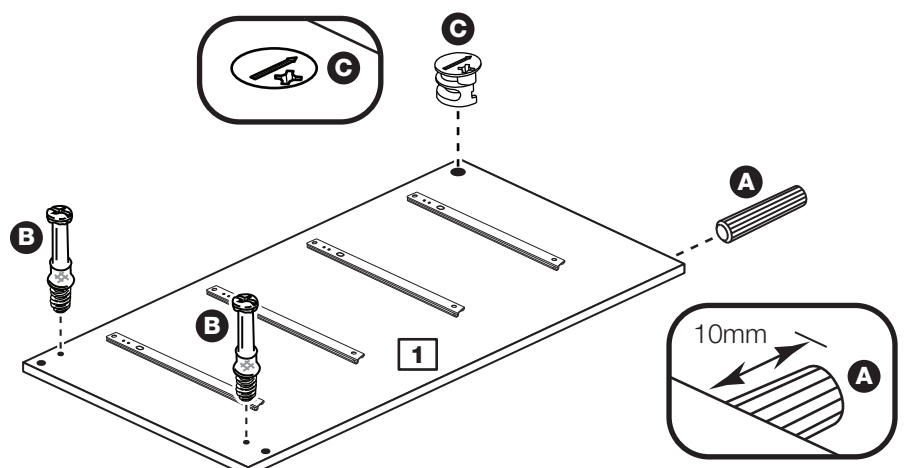
a:



b:



c:

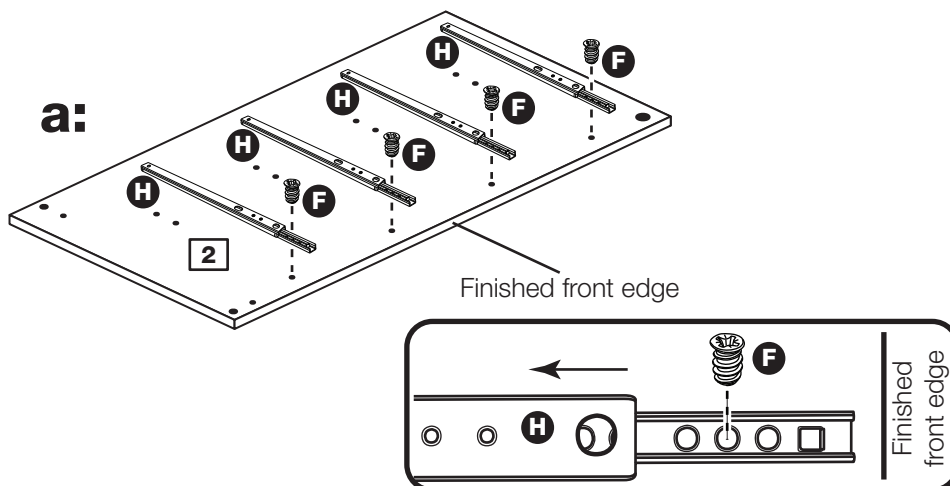


Assembly Instructions

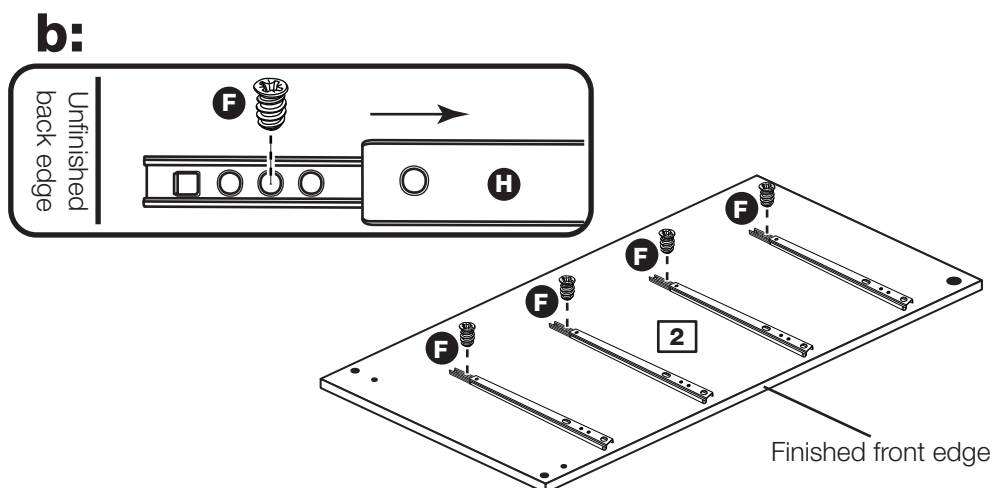
Step 9

Prepare the right side

a: Place 4 runners **H** on right side **2**. Slide back top of runner and use 2nd hole from the front to fit 1st screw **F**.



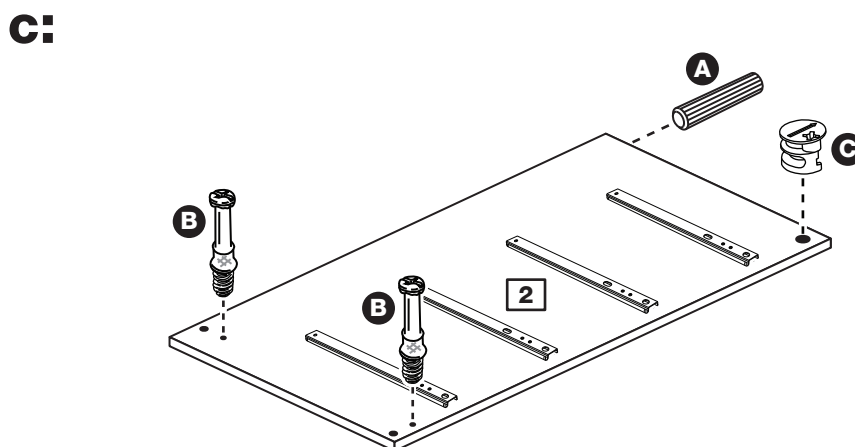
b: Slide runner back the other way and use 2nd hole from the back to fit 2nd screw **F**.



c: Insert 1 large locking nut **C** into the right side **2**.

Tap a wooden dowel **A** into the right side **2**.

Screw 2 metal dowels **B** into the right side **2**.



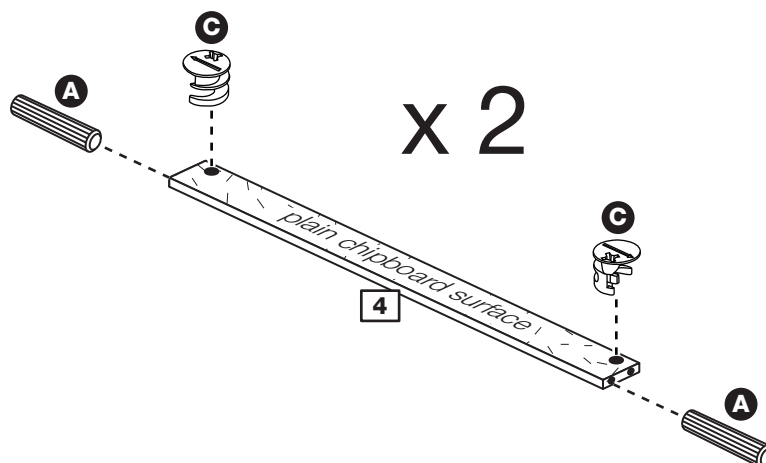
Assembly Instructions

Step 10

Prepare the 2 rails

Insert 2 large locking nuts **C** into the holes in the 2 rails **4**.

Tap 1 wooden dowel **A** into each end of the 2 rails **4**.



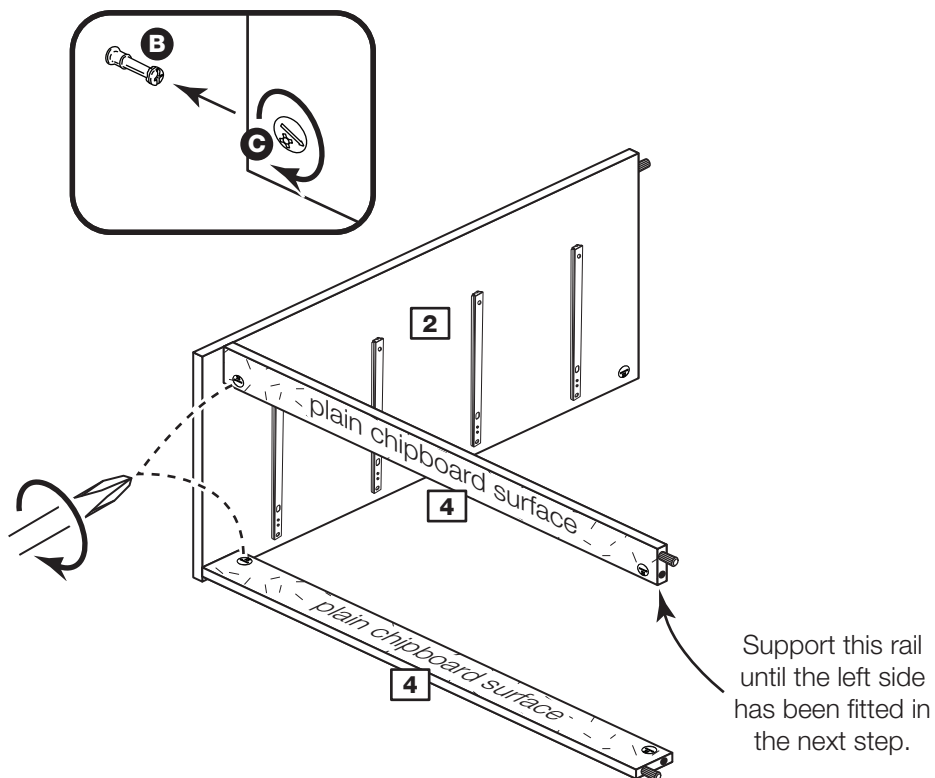
Step 11

Fit the 2 rails

Push the 2 rails **4** onto right side **2** as shown.

Use a screwdriver to tighten the 2 large locking nuts **C** fitted to the 2 rails.

Note: Turn the large locking nuts **C** as far as they will go - more than 1/2 a turn.



Assembly Instructions

Step 12

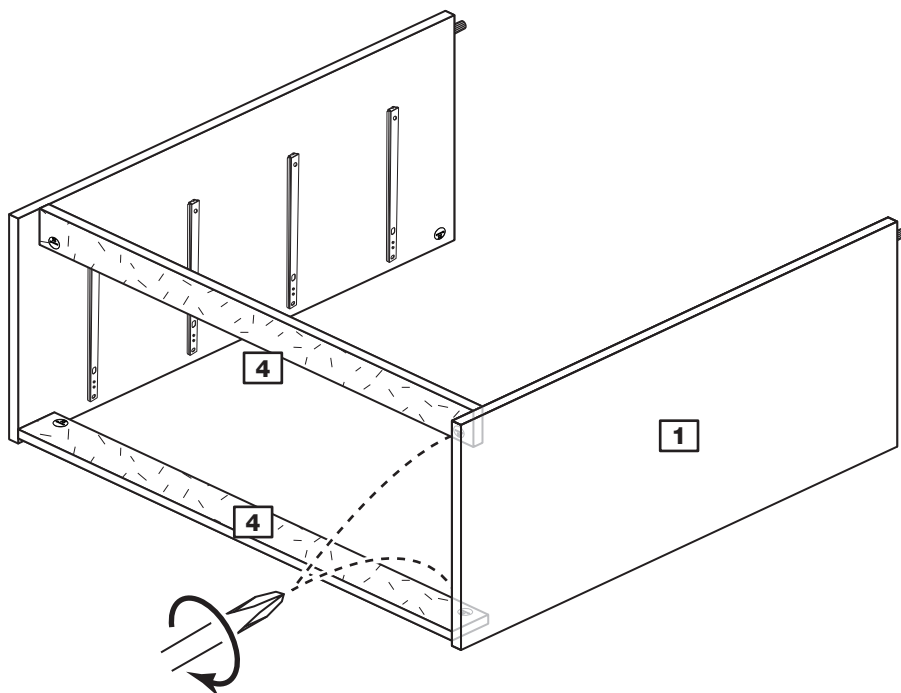
Fit the left side

Fit the left side **1** to the 2 rails **4**.

Use a screwdriver to tighten the 2 large locking nuts **C** fitted to the 2 rails **4**.

Note: Turn the large locking nuts **C** as far as they will go - more than 1/2 a turn.

Stand the unit up.

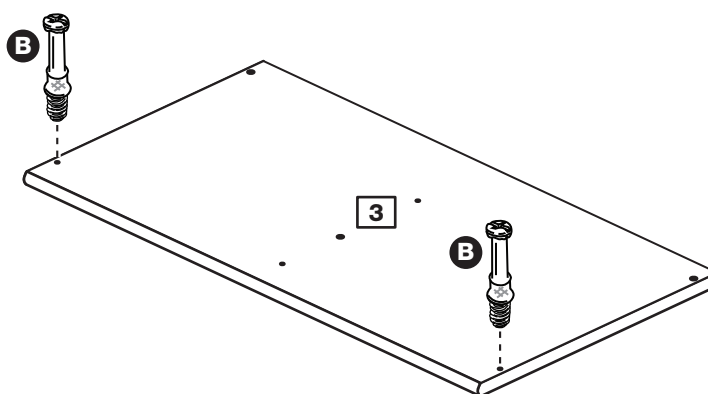


Step 13

Prepare the top

Screw 2 metal dowels **B** into the top **3**.

Note: Tighten metal dowels up fully against the panel.



Assembly Instructions

Step 14

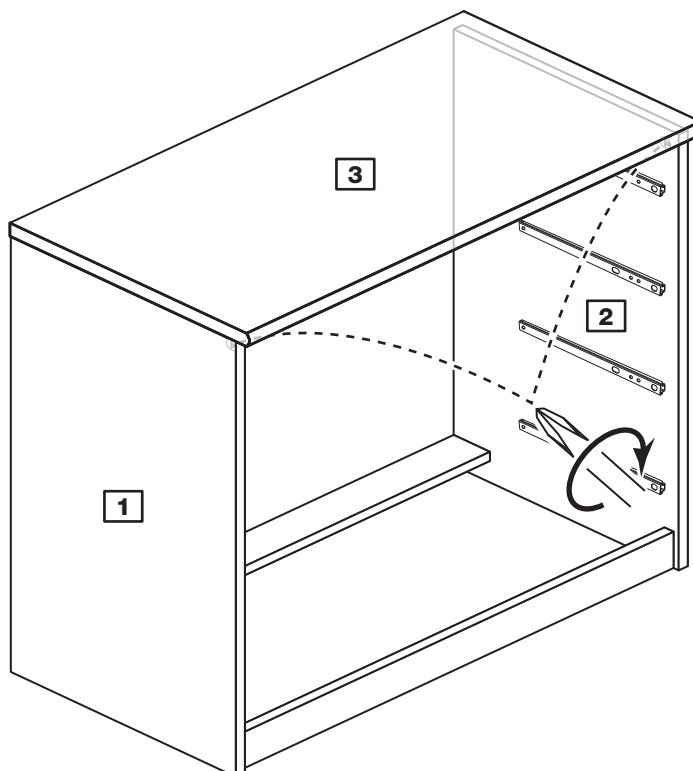
Fit the top

Lower the top **3** onto the side panels **1** and **2**.

Use a screwdriver to tighten the 2 large locking nuts **C** fitted to the inside of the left side **1** and right side **2**.

Note: Turn the large locking nuts **C** as far as they will go - more than 1/2 a turn.

Lay the unit down onto its front again.



Step 15

Fit the back and plastic nails

a: Square up the unit by making sure that measurement **x to x** equals **y to y**.

b: Place the foldy back **5** onto the unit.

Nail **E** around the outside edges of the back **5**.

Note: Nails should be spaced about 150mm apart.

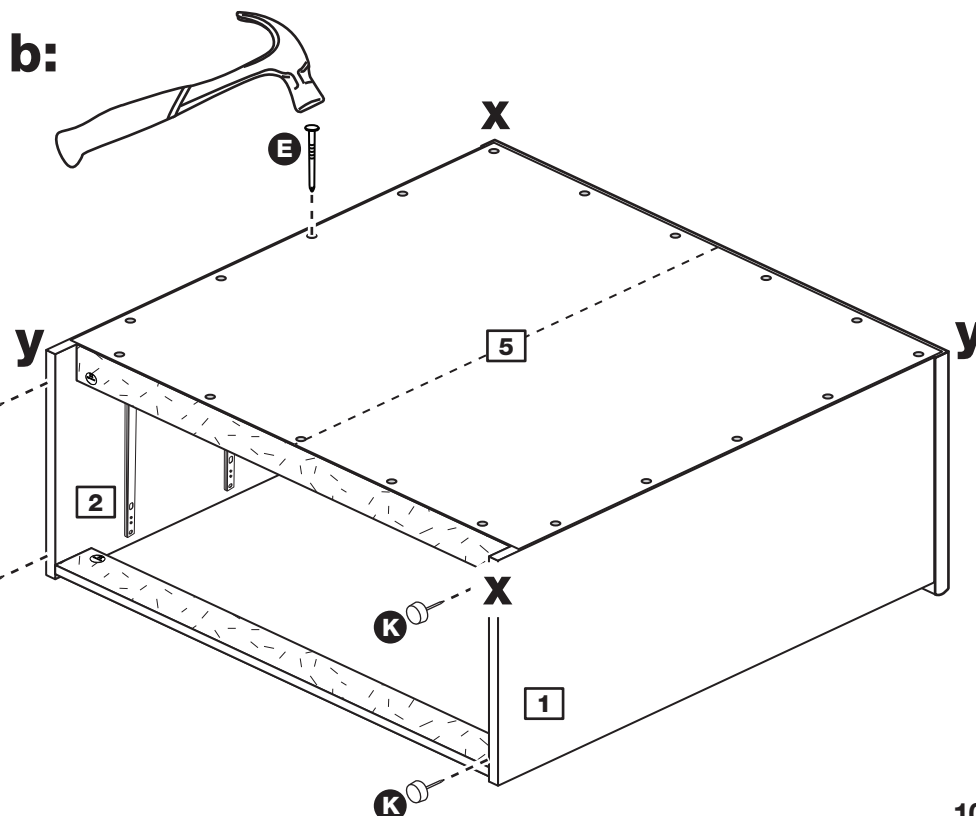
Tap 2 plastic nails **K** into the bottom edge of each of the sides **1** and **2**.

Stand the unit up for the next step.



Warning: The unit is heavy. Lift with care.

a: The measurement from top corner **X** to bottom corner **X** must be equal to the measurement from top corner **Y** to bottom corner **Y**



Assembly Instructions

Step 16

Fit the drawers

Starting with the bottom drawer, slide both the runners **H** forward and locate the drawer sides **7** and **8** between them, lining up the holes in the drawer wrap with the 2nd 'threaded' holes in the runners **H**.

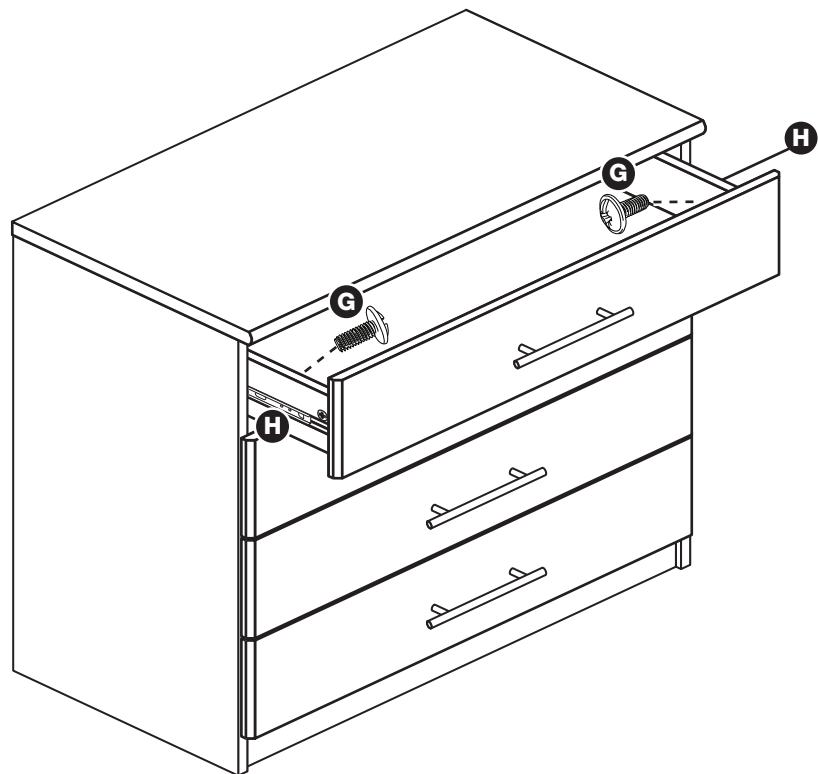
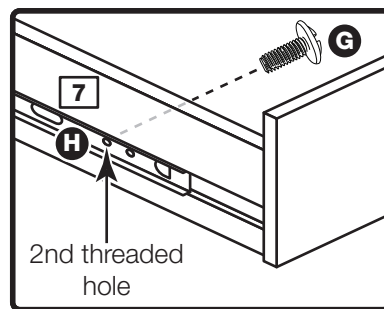
Working from the inside of the drawer, insert 2 screws **G** through the drawer sides and out into the 2nd threaded hole in the runner **H**.

Note: Do not overtighten the screws **G**. If they catch on the runner you may need to loosen them slightly.

Assembly is complete



Warning: The unit is heavy. Lift with care.



If you need help or have damaged or missing parts, call the Customer Helpline: 08456 400800 and quote the reference numbers on the component pages.

Argos Ltd, 489-499 Avebury Boulevard, Central Milton Keynes, MK9 2NW