

Arvika - 4 Drawer Chest

Assembly Instructions - Please keep for future reference

356/4536

339/0281



Dimensions

Width - 72cm

Depth - 39.5cm

Height - 89.5cm



**MADE IN
BRITAIN**

Important - Please read these instructions fully before starting assembly

If you need help or have damaged or missing parts, call the **Customer Helpline: 08456 400800**



Safety and Care Advice

Important - Please read these instructions fully before starting assembly

- **Warning:** This unit weighs approximately 28.5kgs. Please lift with care.

- Check you have all the components and tools listed on pages 2 and 3.

- Remove all fittings from the plastic bags and separate them into their groups.

- Keep children and animals away from the work area, small parts could choke if swallowed.

- Parts of the assembly will be easier with 2 people.

- Make sure you have enough space to layout the parts before starting.

- Do not stand or put weight on the product, this could cause damage.

- Assemble the item as close to its final position (in the same room) as possible.

- Assemble on a soft level surface to avoid damaging the unit or your floor (use opened out unit carton).



- We do not recommend the use of power drill/drivers **for inserting screws**, as this could damage the unit. Only use hand screwdrivers.

- **Safety note:** It is recommended that this unit is secured to a wall using the overbalance kit supplied.

- Dispose of all packaging carefully and responsibly.

Care and maintenance

- Only clean using a damp cloth and mild detergent, do not use bleach or abrasive cleaners.

- From time to time check that there are no loose screws on this unit.

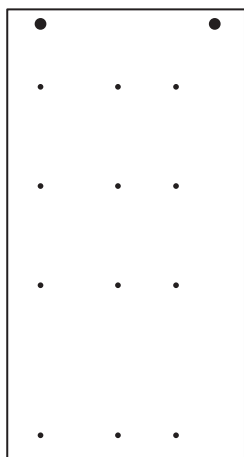
- This product should not be discarded with household waste. Take to your local authority waste disposal centre.

Note: If required the next page can be cut out and used as reference throughout the assembly. Keep this page with these instructions for future reference.

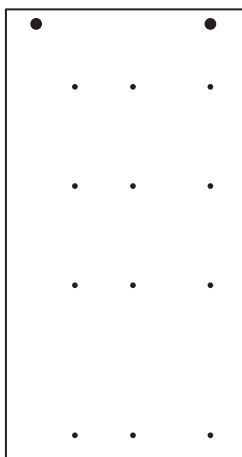
Components - Panels

If you have damaged or missing components, call the **Customer Helpline: 08456 400800** quoting the reference numbers below

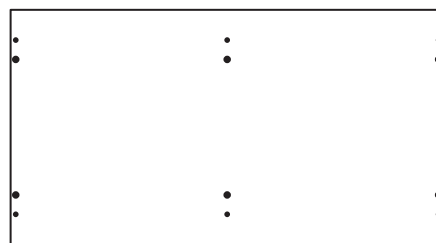
Please check you have all the panels listed below



1 Left Side (DF912)
(743 x 393mm)



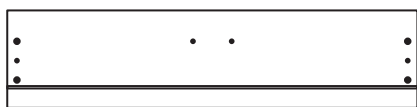
2 Right Side (DF1441)
(743 x 393mm)



3 Top (DF914)
(716 X 394mm)



4 Base (DF1963)
(716 X 394mm)



5 Small Drawer Front (DF915)
(678 x 161mm) x 3



7 Small Left Drawer Side (W350-124LH)
(350 x 124mm) x 3



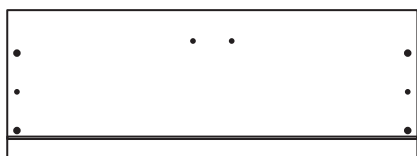
6 Small Drawer Back (W633-124)
(633 x 124mm) x 3



8 Small Right Drawer Side (W350-124RH)
(350 x 124mm) x 3



9 Drawer Base (T644-347)
(644 x 347mm) x 4



10 Large Drawer Front (DF1442)
(678 x 245mm)



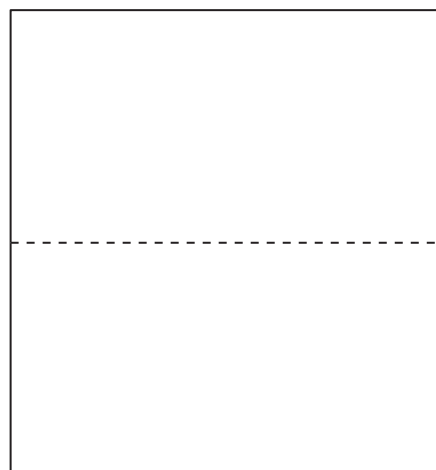
12 Large Left Drawer Side (W350-165LH)
(350 x 165mm)



11 Large Drawer Back (W633-165)
(633 x 165mm)



13 Large Right Drawer Side (W350-165RH)
(350 x 165mm)



14 Back (X710-769)
(710 x 769mm)

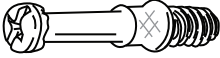



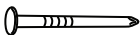







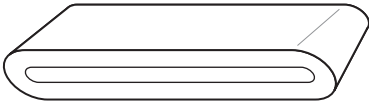

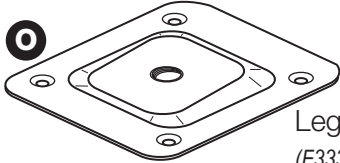



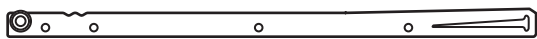
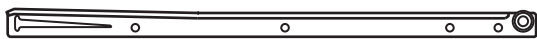
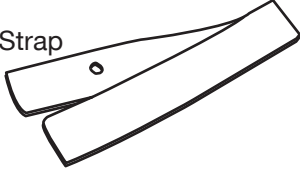




Components - Fittings

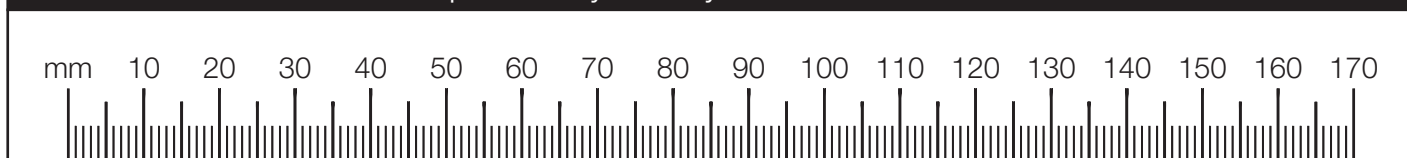
If you have damaged or missing components, call the **Customer Helpline: 08456 400800** quoting the reference numbers below

Please check you have all the fittings listed below

Note: The quantities below are the correct amount to complete the assembly. In some cases more fittings may be supplied than are required.

<p>A </p> <p>Metal dowel (F901) x 12</p>	<p>B </p> <p>Large locking nut (F900) x 4</p>	<p>C </p> <p>Small locking nut (F3) x 8</p>
<p>D </p> <p>Wooden dowel (F22) x 8</p>	<p>E </p> <p>Nail (F51) x 20</p>	<p>F </p> <p>Knock-in Peg (F171GY) x 16</p>
<p>G </p> <p>40mm Screw (F910) x 4</p>	<p>H </p> <p>19mm Screw (F461) x 8</p>	<p>I </p> <p>13mm Screw (F79) x 16</p>
<p>J </p> <p>13mm Screw (F63) x 24</p>	<p>K </p> <p>9mm Screw (F73) x 24</p>	<p>L </p> <p>Wedgefix (F639) x 16</p>
<p>M </p> <p>Handle (F336) x 4</p>	<p>N </p> <p>Leg (F343) x 4</p>	<p>O </p> <p>Leg Bracket (F333) x 4</p>
<p>P a  L Runner (F159) x 4 </p> <p>P b  R Runner (F160) x 4</p> <p>P c  L Runner (F161) x 4</p> <p>P d  R Runner (F162) x 4</p>	<p>Q </p> <p>Strap</p> <p> Screw  Washer x 2</p> <p>Overbalance protector kit (F269) x 1</p>	

Ruler - Use this ruler to help correctly identify the screws



Assembly Instructions

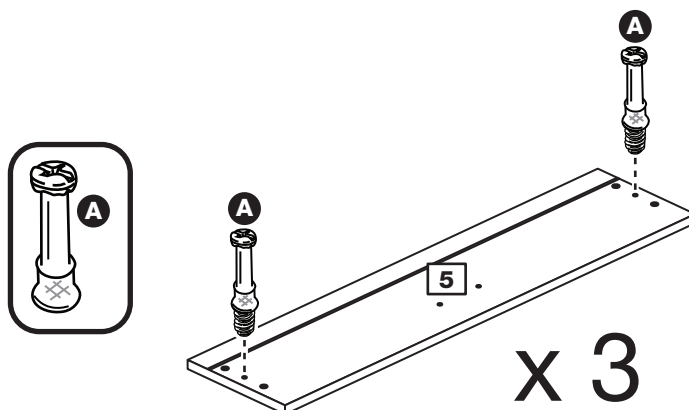
If you have damaged or missing components, call the
Customer Helpline: 08456 400800 quoting the reference
numbers below

Step 1

Prepare the 3 small drawer fronts

Screw 2 metal dowels **A** into each of the small drawer fronts **5**.

Note: Tighten the metal dowels up fully against the panels.

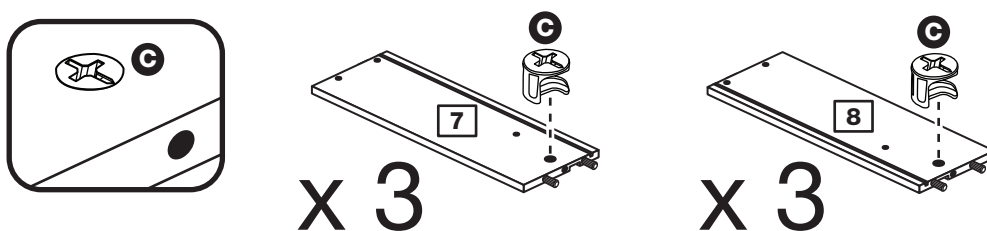


Step 2

Prepare the 3 pair of small drawer sides

Insert a small locking nut **C** into the hole shown on the small left drawer side **7** and the small right drawer side **8**.

Note: The arrow on the locking nut **must** point towards the hole in the edge of the panel.



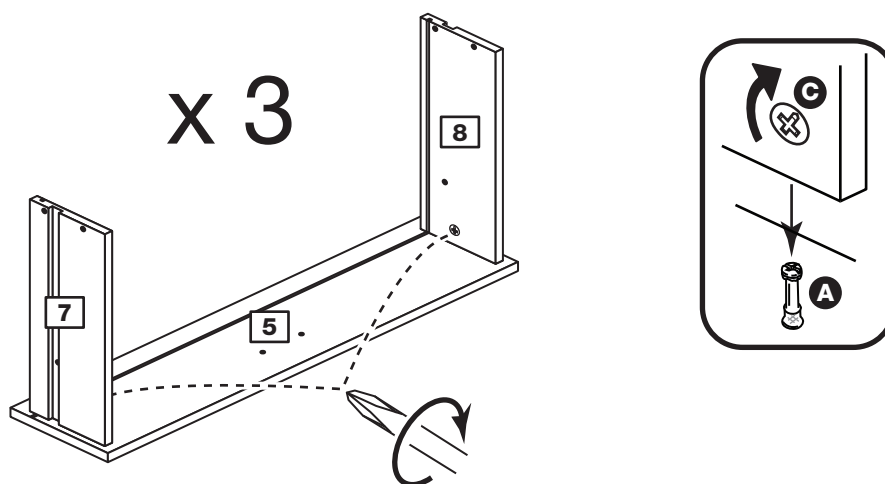
Step 3

Attach the small drawer sides to the small drawer fronts

Push the small left drawer sides **7** and small right drawer sides **8** onto the back of the small drawer fronts **5**.

Turn the small locking nuts **C** on the small left drawer side **7** and small right drawer side **8**.

Note: Turn the locking nuts **C** clockwise to secure panels - more than 1/2 a turn.

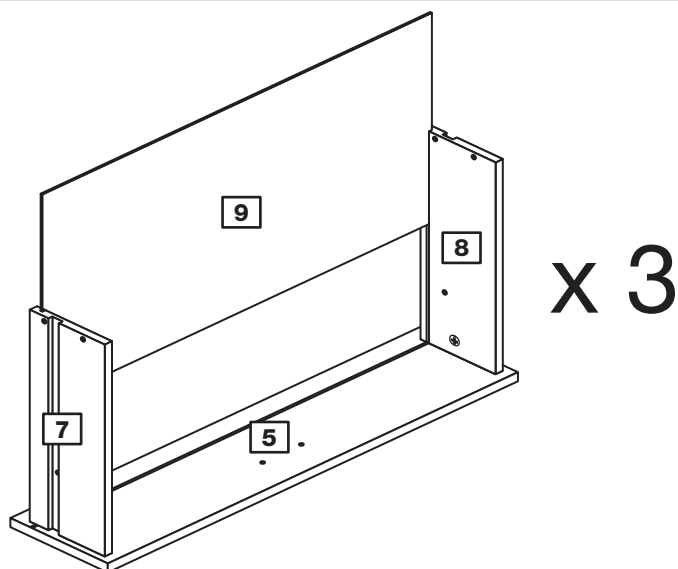


Assembly Instructions

Step 4

Fit the drawer base

Slide the drawer base **9** down the grooves in the small drawer sides **7** and **8** and down into the groove in the small drawer front **5**.

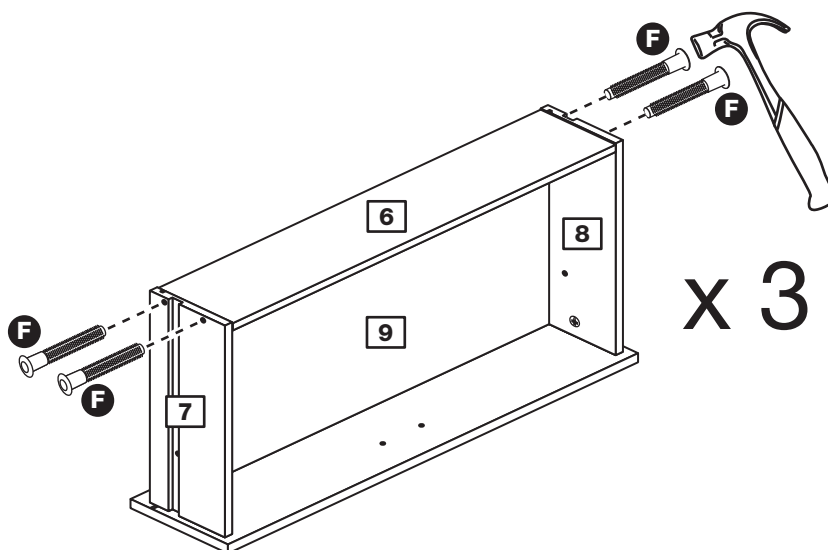


Step 5

Fit the small drawer back

Fit the small drawer back **6** between the small drawer sides **7** and **8**. Make sure that the drawer base **9** fits into the groove in the small drawer back **6**.

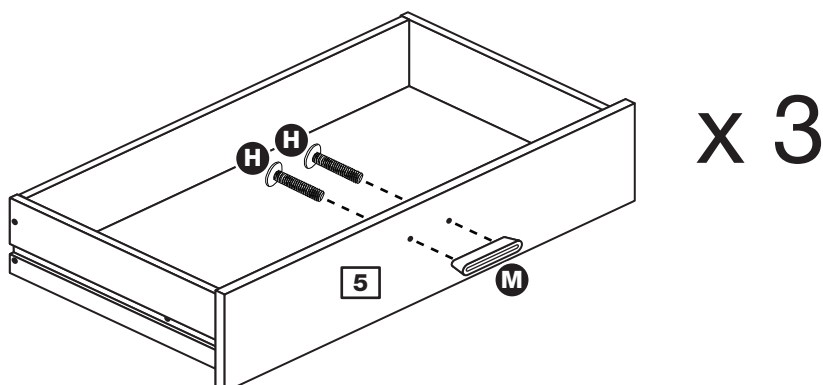
Hold the small drawer back **6** in position and tap the knock-in pegs **F** through the holes in the small drawer sides **7** and **8**.



Step 6

Attach the handles

Attach a handle **M** to each of the small drawer fronts **5** using screws **H**.

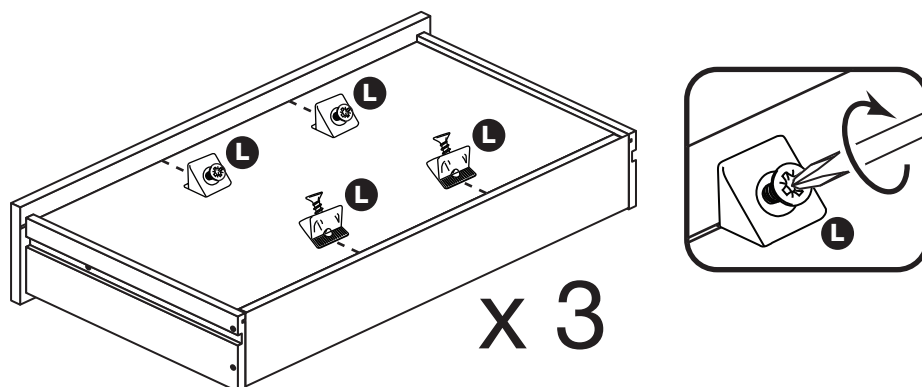


Assembly Instructions

Step 7

Fit the wedgfixes

Turn the drawer assemblies over and slide 4 wedgfixes **L** into the front and back grooves, as shown, and tighten up the screws.

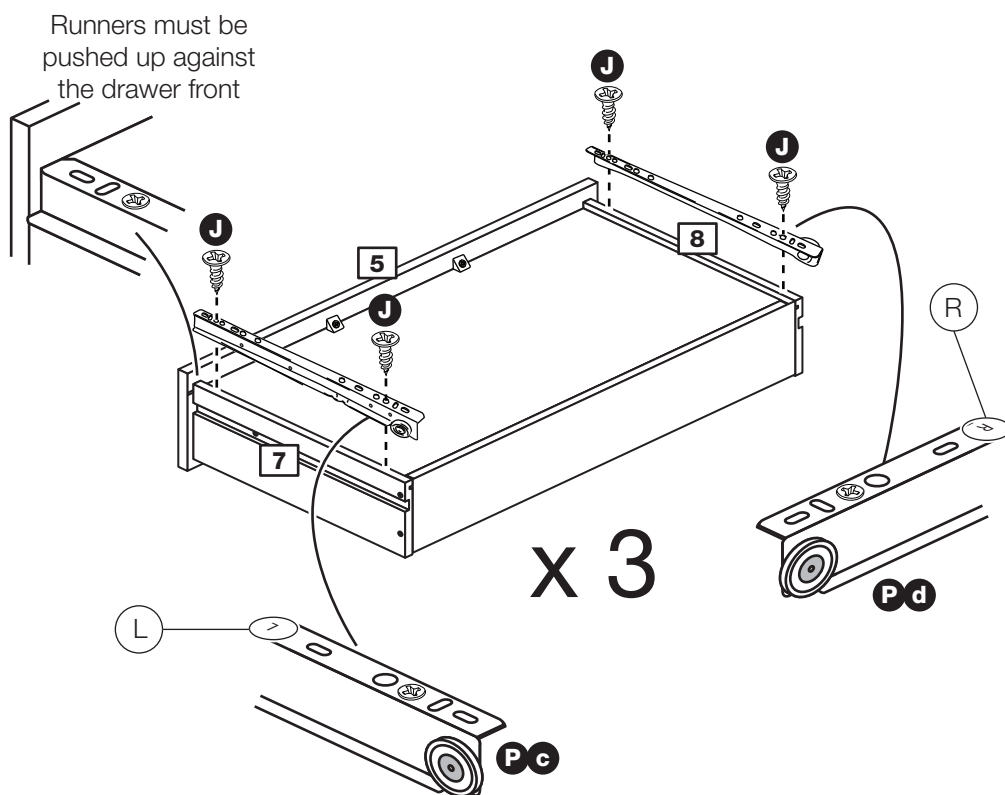


Step 8

Fit the runners

Fit a runner **Pd**, marked with 'R', to the bottom edge of the small right drawer side **8**, as shown, making sure that it is pushed up against the back of the small drawer front **5**. Use a bradawl to mark the fixing positions, then secure with 2 screws **J**.

Fit runner **Pc**, marked 'L', to the bottom edge of the small left drawer side **7** using the same method.



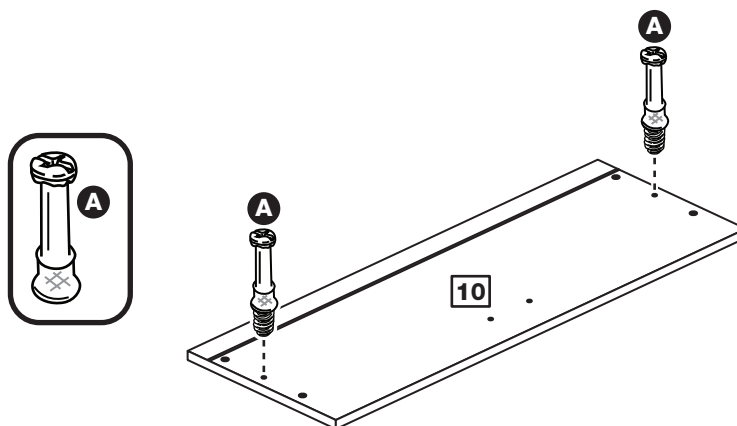
Assembly Instructions

Step 9

Prepare the large drawer front

Screw 2 metal dowels **A** into the large drawer front **10**.

Note: Tighten the metal dowels up fully against the panels.

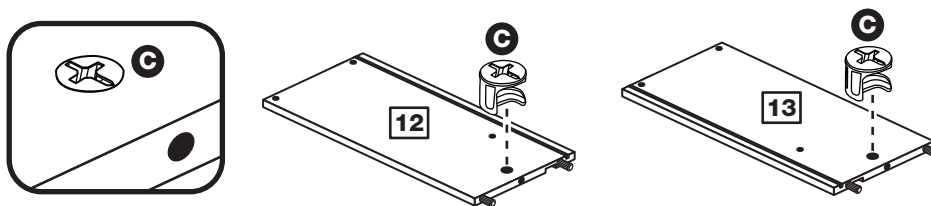


Step 10

Prepare the large drawer sides

Insert a small locking nut **C** into the hole shown on the large left drawer side **12** and the large right drawer side **13**.

Note: The arrow on the locking nut **must** point towards the hole in the edge of the panel.



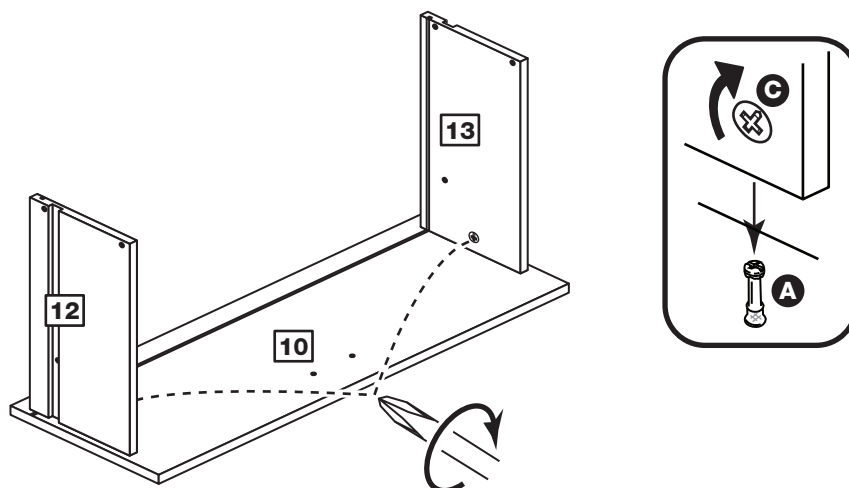
Step 11

Attach the large drawer sides to the large drawer front

Push the large left drawer sides **12** and large right drawer sides **13** onto the back of the large drawer front **10**.

Turn the small locking nuts **C** on the large left drawer side **12** and large right drawer side **13**.

Note: Turn the locking nuts **C** clockwise to secure panels - more than 1/2 a turn.

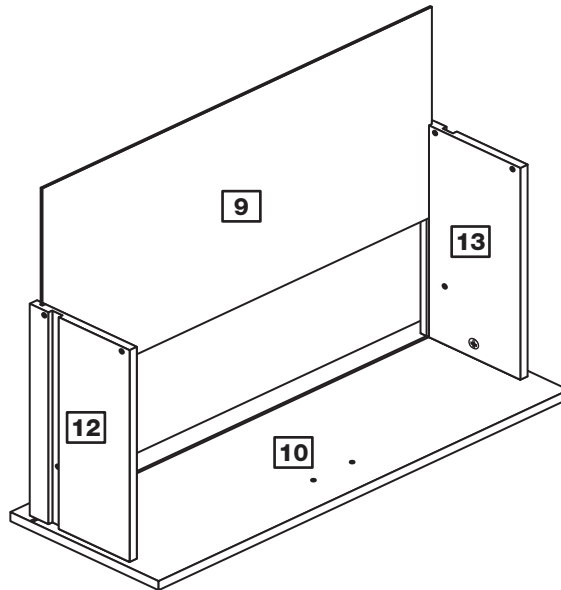


Assembly Instructions

Step 12

Fit the drawer base

Slide the drawer base **9** down the grooves in the large drawer sides **12** and **13** and down into the groove in the large drawer front **10**.

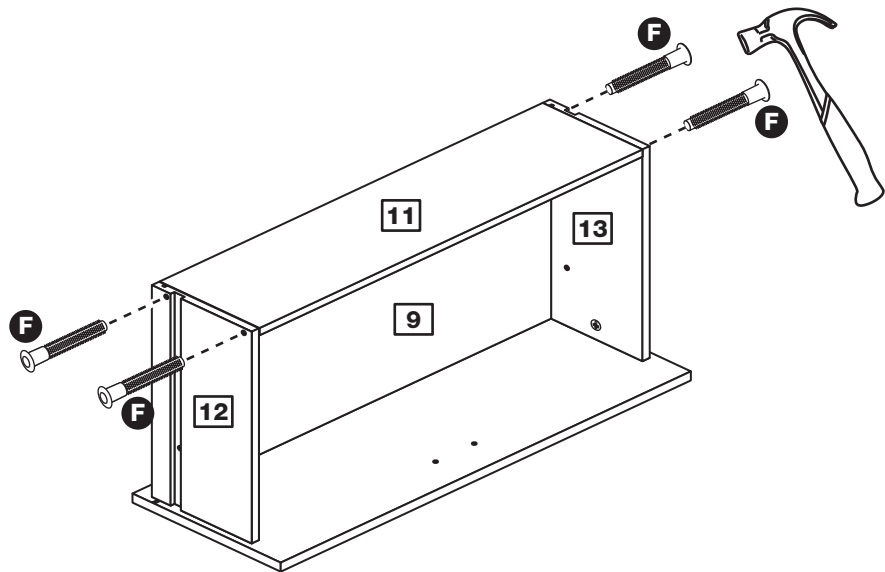


Step 13

Fit the large drawer back

Fit the large drawer back **11** between the large drawer sides **12** and **13**. Make sure that the drawer base **9** fits into the groove in the large drawer back **11**.

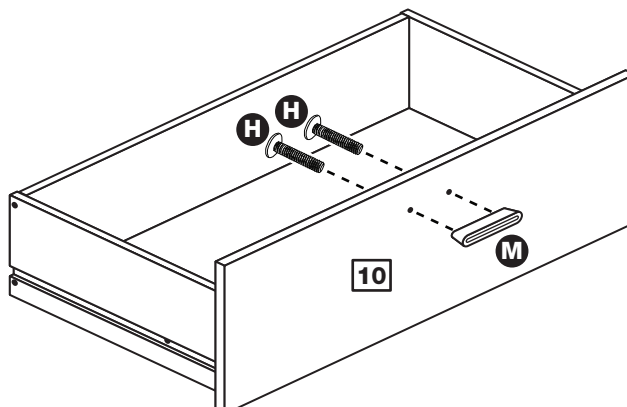
Hold the large drawer back **11** in position and tap the knock-in pegs **F** through the holes in the large drawer sides **12** and **13**.



Step 14

Attach the handle

Attach a handle **M** to the large drawer front **10** using screws **H**.

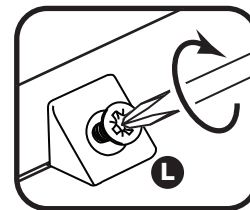
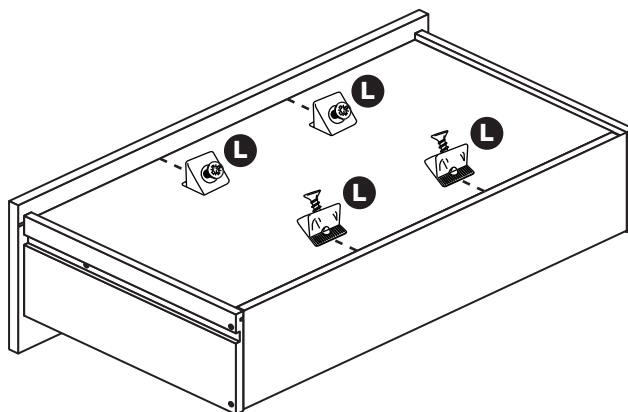


Assembly Instructions

Step 15

Fit the wedgfixes

Turn the drawer assembly over and slide 4 wedgfixes **L** into the front and back grooves, as shown, and tighten up the screws.



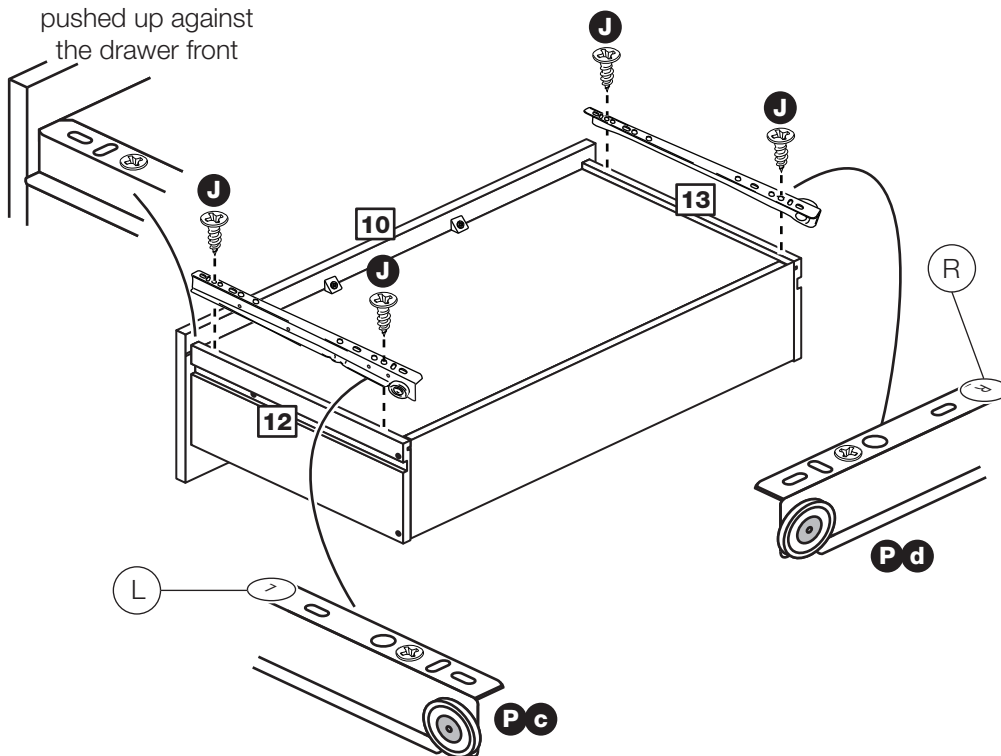
Step 16

Fit the runners

Fit a runner **Pd**, marked with 'R', to the bottom edge of the small right drawer side **13**, as shown, making sure that it is pushed up against the back of the small drawer front **10**. Use a bradawl to mark the fixing positions, then secure with 2 screws **J**.

Fit runner **Pc**, marked 'L', to the bottom edge of the small left drawer side **12** using the same method.

Runners must be pushed up against the drawer front



Assembly Instructions

Step 17

Prepare the left side

a: Fit 4 runners **Pa** to the left side **1**.

The 1st screw **K** uses the 1st hole in from the front of the runners.

The 2nd and 3rd screws **K** use the holes that line up with the other panel holes.

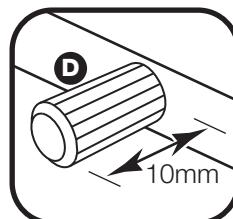
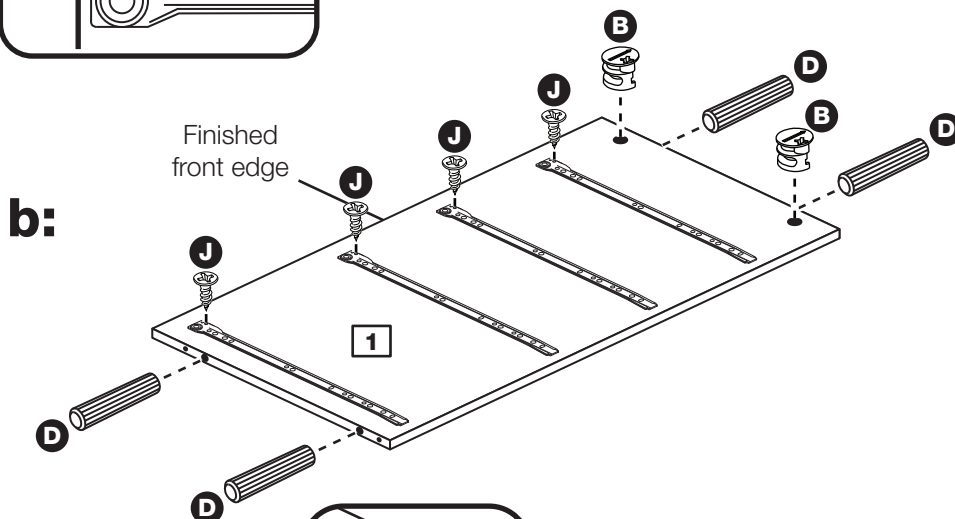
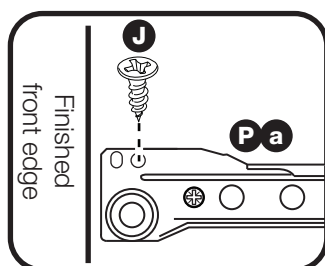
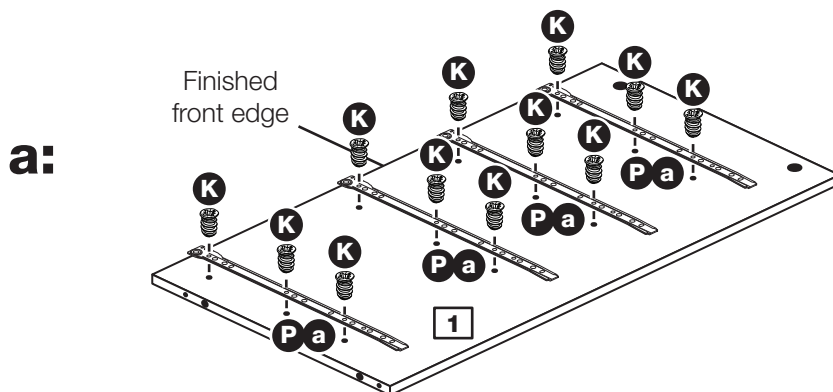
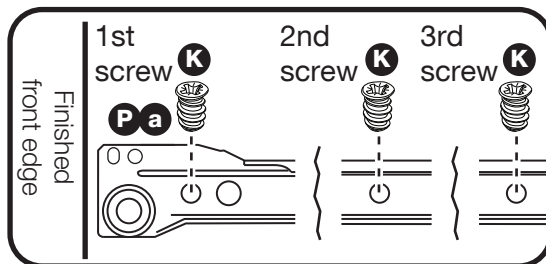
b: Fit a screw **J** into the 2nd hole in at the top of the runners **Pa**.

Insert 2 large locking nuts **B** into the left side **1**.

Note: The arrow on the locking nut **must** point towards the hole in the edge of the panel.

Tap 4 wooden dowels **D** into the left side **1**.

Note: Wooden dowels **must not** stick out from the edge by more than 10mm or they may damage other panels.



Assembly Instructions

Step 18

Prepare the right side

a: Fit 4 runners **P b** to the right side **2**.

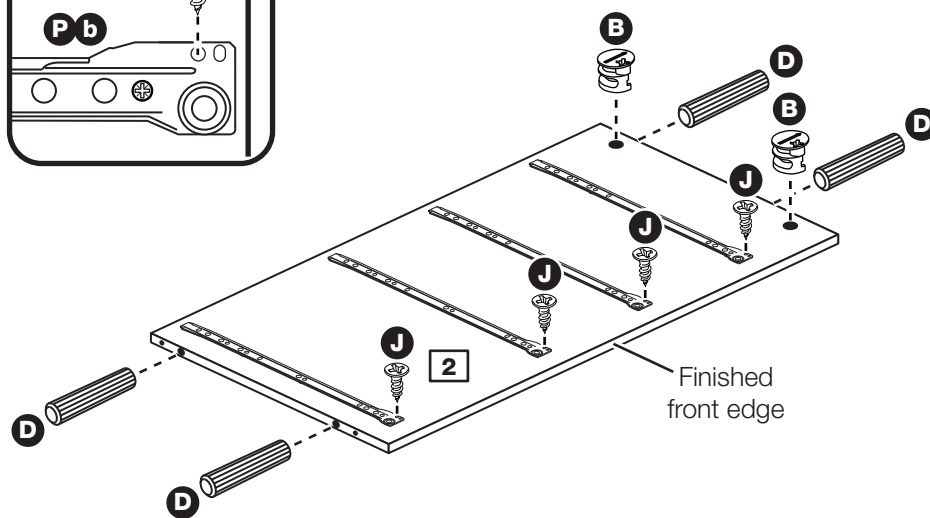
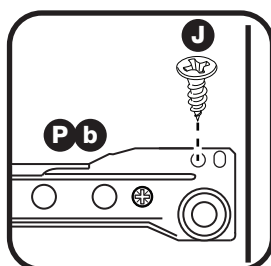
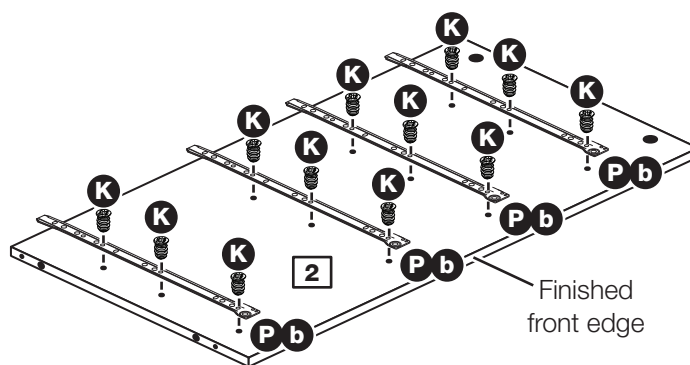
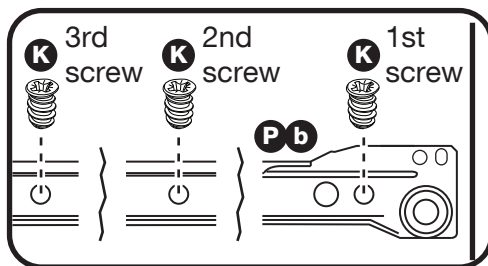
The 1st screw **K** uses the 1st hole in from the front of the runners.

The 2nd and 3rd screws **K** use the holes that line up with the other panel holes.

b: Fit a screw **J** into the 2nd hole in at the top of the runners **P b**.

Insert 2 large locking nuts **B** into the right side **2**.

Tap 4 wooden dowels **D** into the right side **2**.



Assembly Instructions

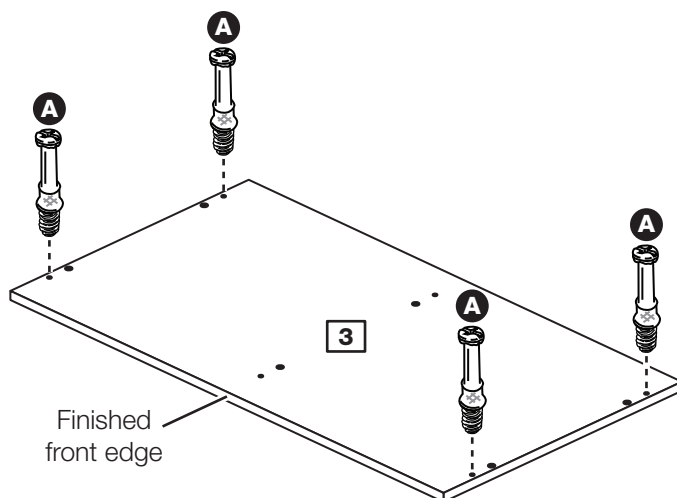
Step 19

Prepare the top

Screw 4 metal dowels **A** into the top **3**.

Note: The top panel has been finished on both surfaces.

The base panel has 1 chipboard surface.



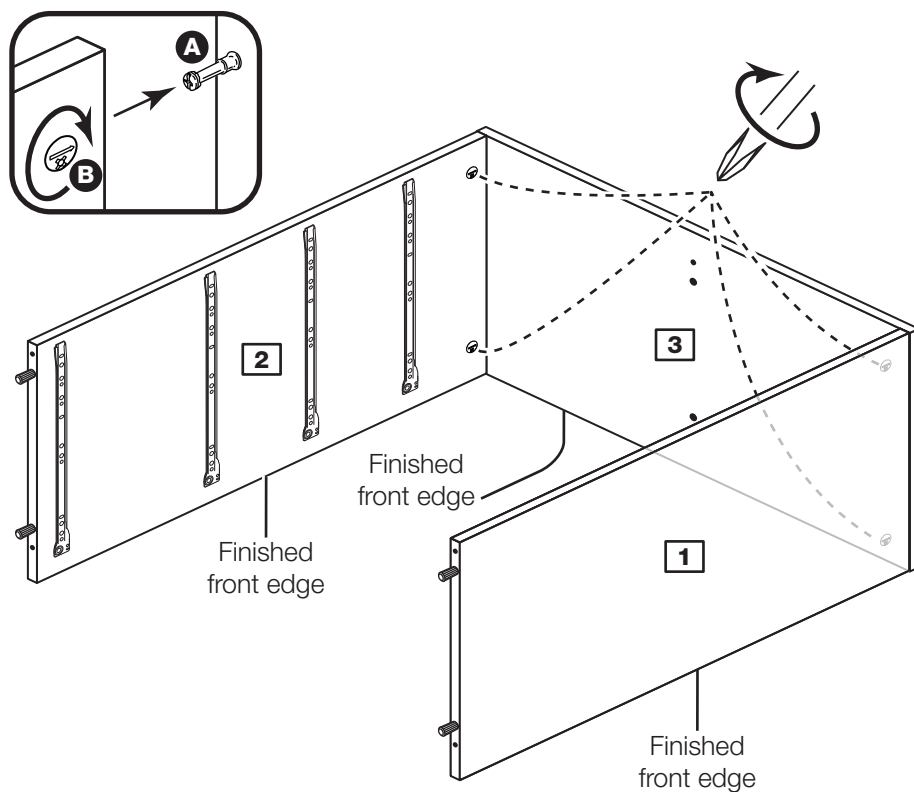
Step 20

Fit the sides to the top

Push the left side **1** and right side **2** onto the top **3**.

Use a screwdriver to tighten the 4 large locking nuts **B** fitted to the left side **1** and right side **2**.

Note: Turn the large locking nuts **B** as far as they will go - more than 1/2 a turn.

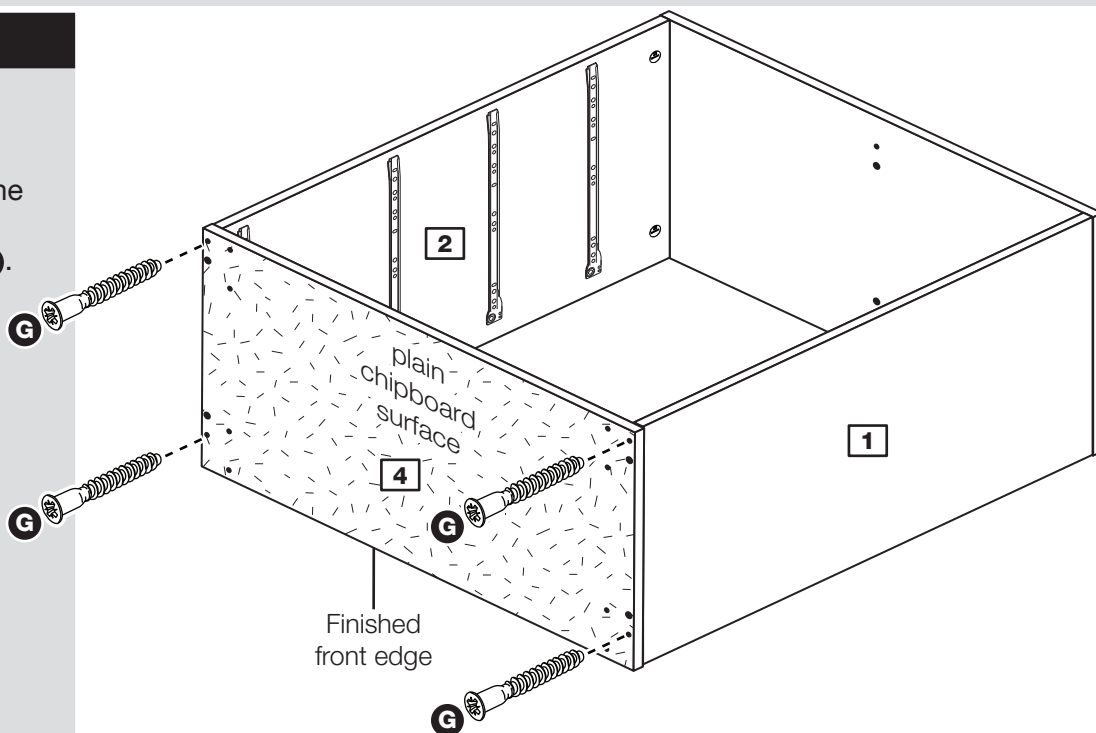


Assembly Instructions

Step 21

Fit the base

Attach the base **4** to the sides **1** and **2** using the 4 screws **G**.

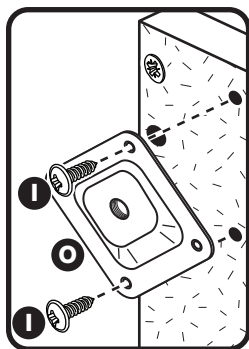


Step 22

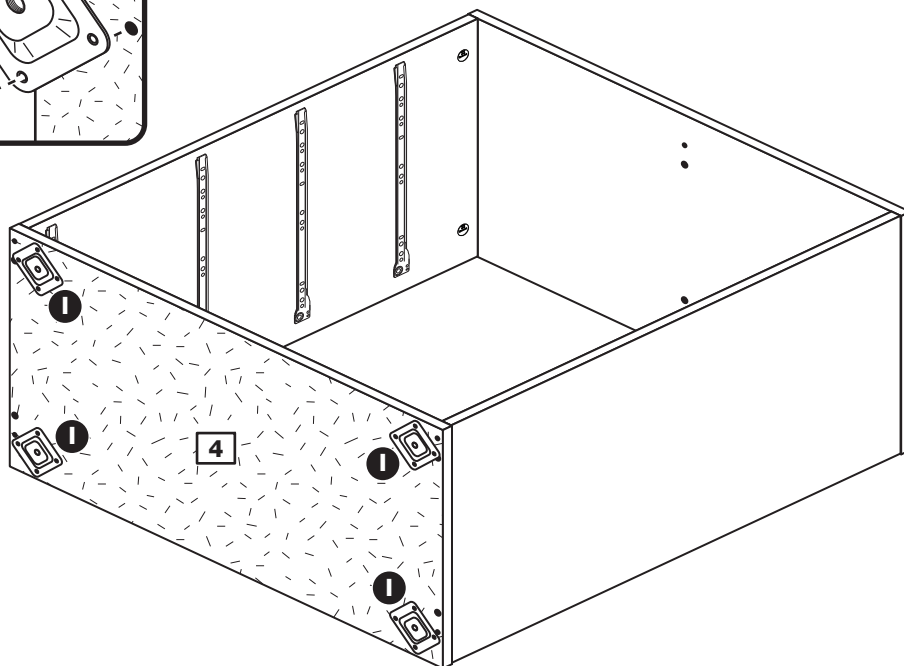
Fit the leg brackets to the base

a: Screw each leg bracket **O** to the base **4** using 2 screws **I** into the mark holes.

b: Then use another 2 screws **I** into the other 2 holes.



Note: The raised part of the leg bracket must point towards the centre of the panel.



Assembly Instructions

Step 23

Fit the back

a: Square up the unit by making sure that measurement **x** to **x** equals **y** to **y**.

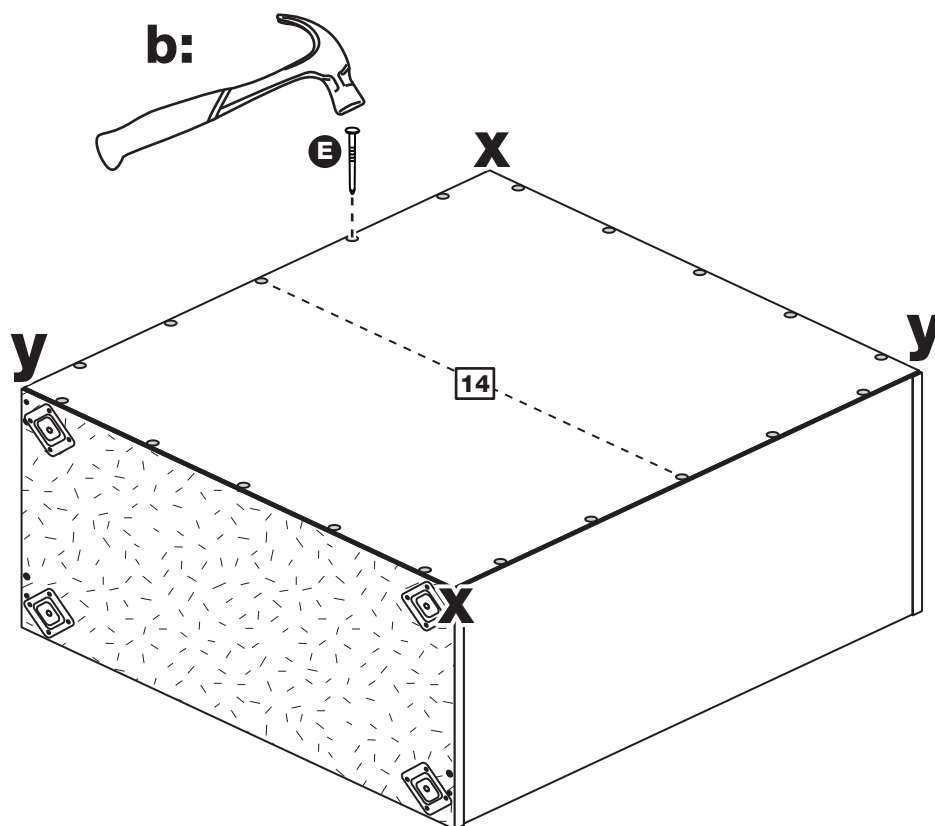
b: Place the back **14** onto the unit.

Nail **E** around the outside edges of the back **14**.

Note: Nails should be spaced about 150mm apart.

Stand the unit up for the next step.

a: The measurement from top corner X to bottom corner X must be equal to the measurement from top corner Y to bottom corner Y

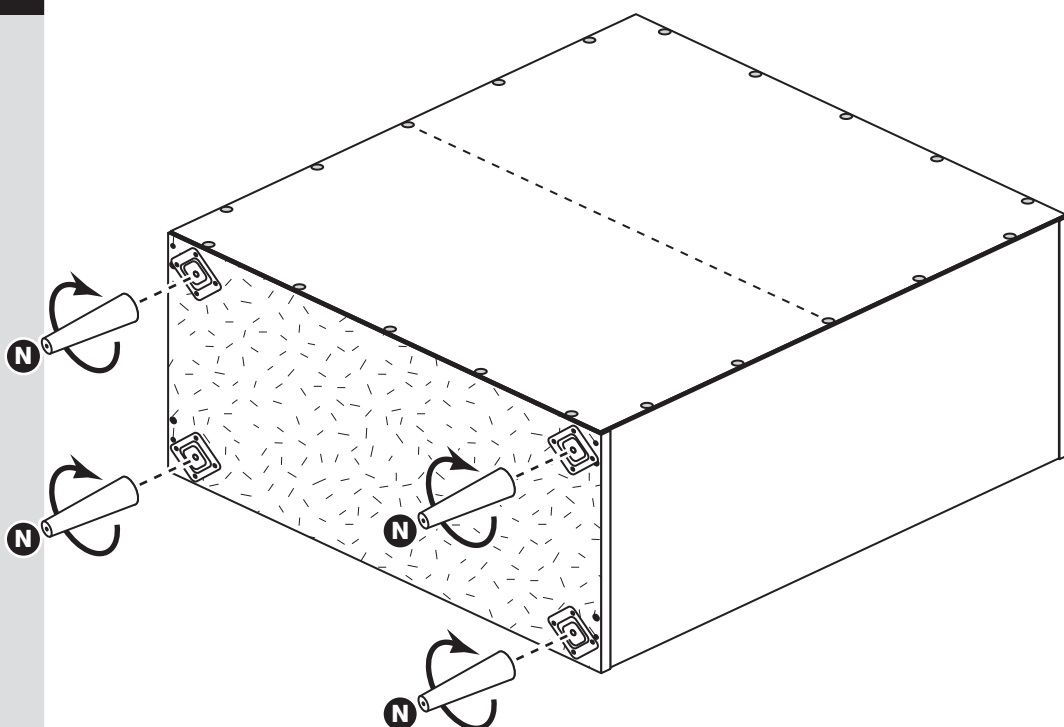


Step 24

Fit the legs

Screw the legs **N** into the leg brackets **O**.

Carefully stand the unit up for the next step.



Warning: The unit is heavy. Lift with care.

Assembly Instructions

Step 25

Fit the overbalance protector and drawers

To prevent possible overbalancing we recommend that this unit is secured to a suitable wall by use of the overbalance protector kit **(C)** fitted to the unit or, an alternative fixing method of your choice.

Wall fixings are not supplied as they will need to suit the wall type.

Note: Take care when drilling the wall that you do not drill into any pipes, wires etc. If in doubt, consult an expert.

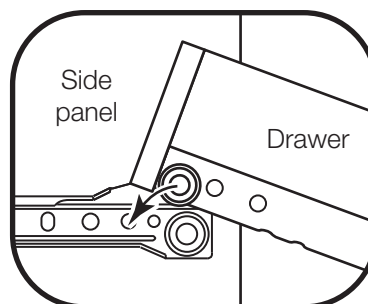
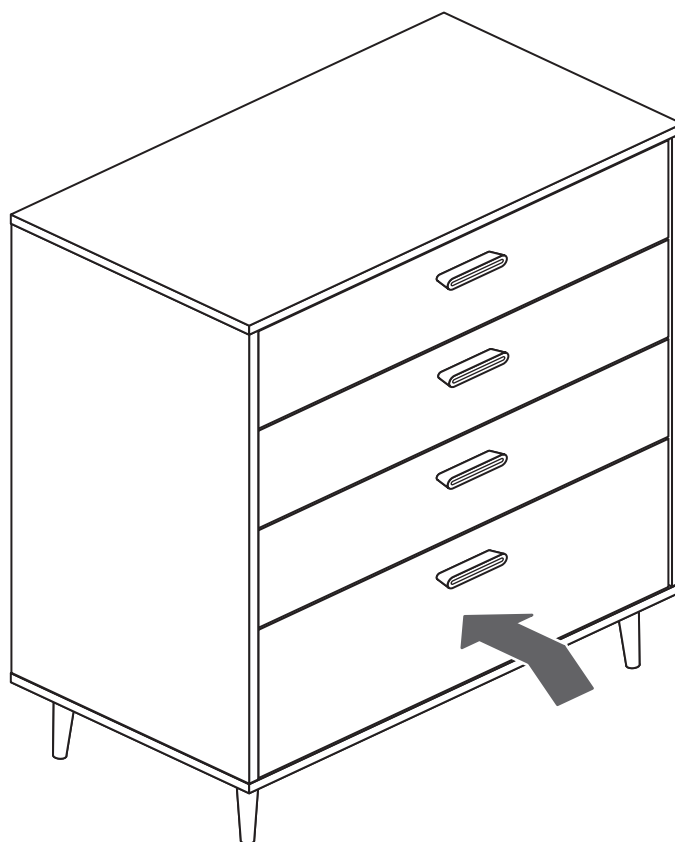
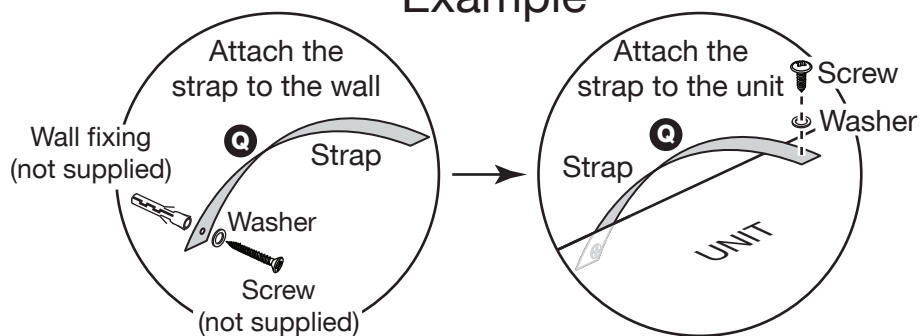
Slide the wheels of the runners fitted to the drawers, over the wheels of the runners fitted to the side panels and push the drawers into position.

Assembly is complete



Warning: The unit is heavy. Lift with care.

Example



If you need help or have damaged or missing parts, call the Customer Helpline: 08456 400800 and quote the reference numbers on the component pages.

Argos Ltd, 489-499 Avebury Boulevard, Central Milton Keynes, MK9 2NW