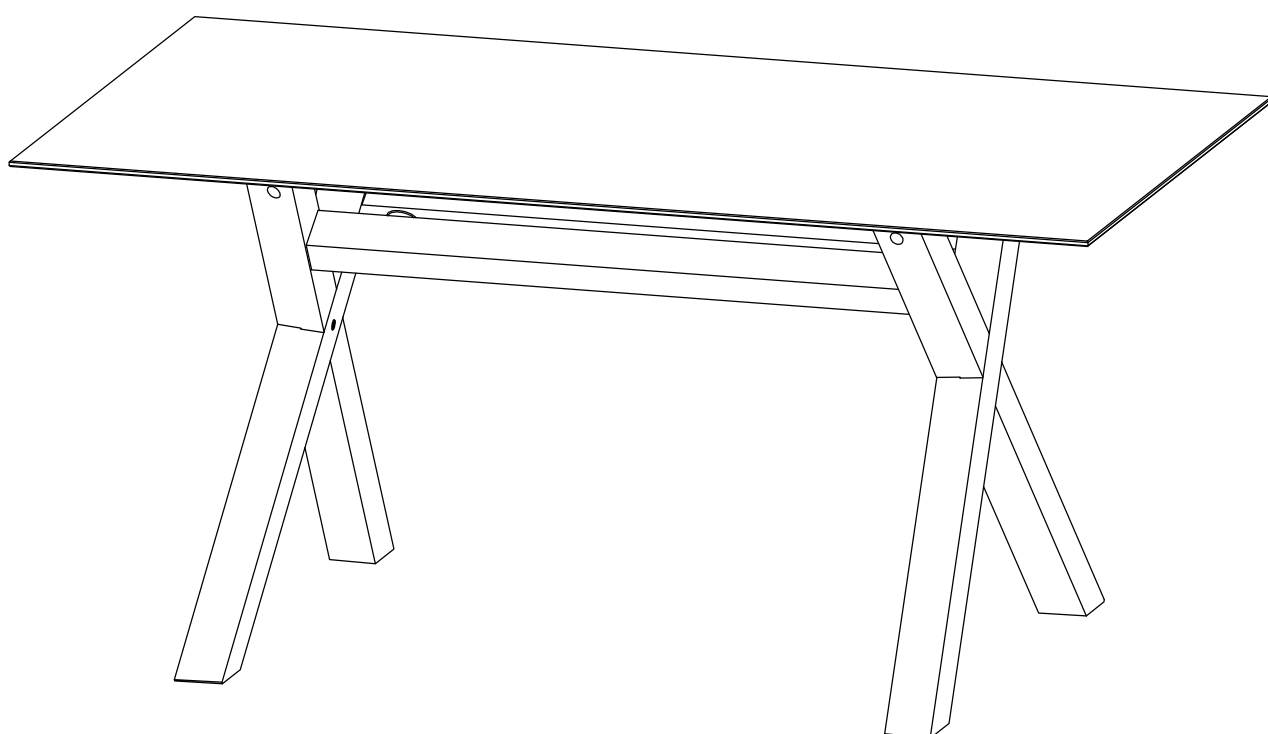


# Hartley Glass Dining Table

Assembly Instructions - Please keep for future reference

331/1538



## Dimensions

Width - 160cm  
Depth - 90cm  
Height - 75cm

**Important – Please read these instructions fully before starting assembly**

If you need help or have damaged or missing parts, call the **Customer Helpline:**  
**Argos = 0345 6400800**



# Safety and Care Advice

**Important – Please read these instructions fully before starting assembly**

- Check you have all the components and tools listed on the following pages.
- Remove all fittings from the plastic bags and separate them into their groups.
- Keep children and animals away from the work area, small parts could choke if swallowed.
- Make sure you have enough space to layout the parts before starting.

- During assembly do not stand or put weight on the product, this could cause damage.
- Assemble the item as close to its final position (in the same room) as possible.
- Assemble on a soft level surface to avoid damaging the unit or your floor.
- Parts of the assembly will be easier with 2 people.



- To reduce the likelihood of damaging your product please ensure that your power drill is set on a low torque setting.

## Care and maintenance

- Only clean using a damp cloth and mild detergent, do not use bleach or abrasive cleaners.
- From time to time check that there are no loose screws on this unit.
- This product should not be discarded with household waste. Take to your local authority waste disposal centre.

## Handy Hints

- Assemble all parts and bolts loosely during assembly, only once the product is complete should you fully tighten the bolts
- Regularly check and ensure that all bolts and fittings are tightend properly.

## Glass Safty

- Keep these instruction for future reference.
- Imported by:  
Argos Ltd.  
489-499 Avebury Boulevard.  
Saxon Gate West.  
Central Milton Keynes.  
MK9 2NW
- If the glass is chipped or broken, stop using the product and consult the Manufacturer or Supplier.
- Batch No: **545962** (按订单PO号)
- Date of Manufacture: **Nov.2014** (按出货年月)
- Type of glass used: 8mm toughened glass

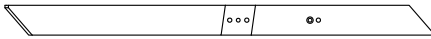
### **Warning:**

- (a) Do not place very hot or very cold items on the glass surface(s) unless adequately thick table mats are used to prevent such items from coming into contact with the glass.
- (b) Do not sit or stand upon the glass surface(s).
- (c) Do not use the glass as a chopping surface. Do not strike the glass with hard or pointed items.
- (d) When cleaning glass panels use a damp cloth or leather with washing up liquid or soft soap if necessary, do not use washing powders or any other substance containing abrasives since these substances scratch glass.

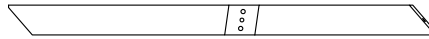
# Components - Panels

If you have damaged or missing components, call the Customer Helpline: Argos = 0345 6400800

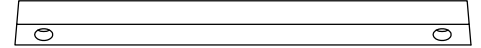
Please check you have all the panels listed below



**1** Table leg x 2  
(104.6 x 7cm)



**2** Table leg x 2  
(104.6 x 7cm)



**3** Support bar  
(87.7 x 6.2cm)



**4** Support bar  
(87.7 x 6.2cm)






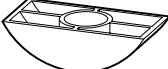
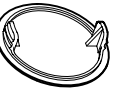

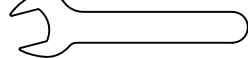



**5** Table top  
(160 x 90cm)

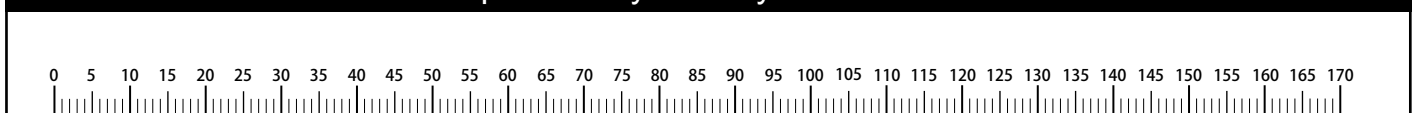
# Components - Fittings

Please check you have all the fittings listed below

**Note:** The quantities below are the correct amount to complete the assembly. In some cases more fittings may be supplied than are required.

<p><b>A</b> </p> <p>40mm Bolt x 4</p>	<p><b>B</b> </p> <p>50mm Bolt x 2</p>	<p><b>C</b> </p> <p>80mm Screw x 4</p>
<p><b>D</b> </p> <p>Plain washer x 8</p>	<p><b>E</b> </p> <p>Nut x 4</p>	<p><b>F</b> </p> <p>Connector x 4</p>
<p><b>G</b> </p> <p>Cap x 4</p>	<p><b>H</b> </p> <p>Wooden dowel X 8</p>	<p><b>I</b> </p> <p>Wrench X 1</p>
<p><b>J</b> </p> <p>Hex key X 1</p>		

**Ruler** - Use this ruler to help correctly identify the screws



The bolts length is measured from the head to the point (40mm bolt shown).

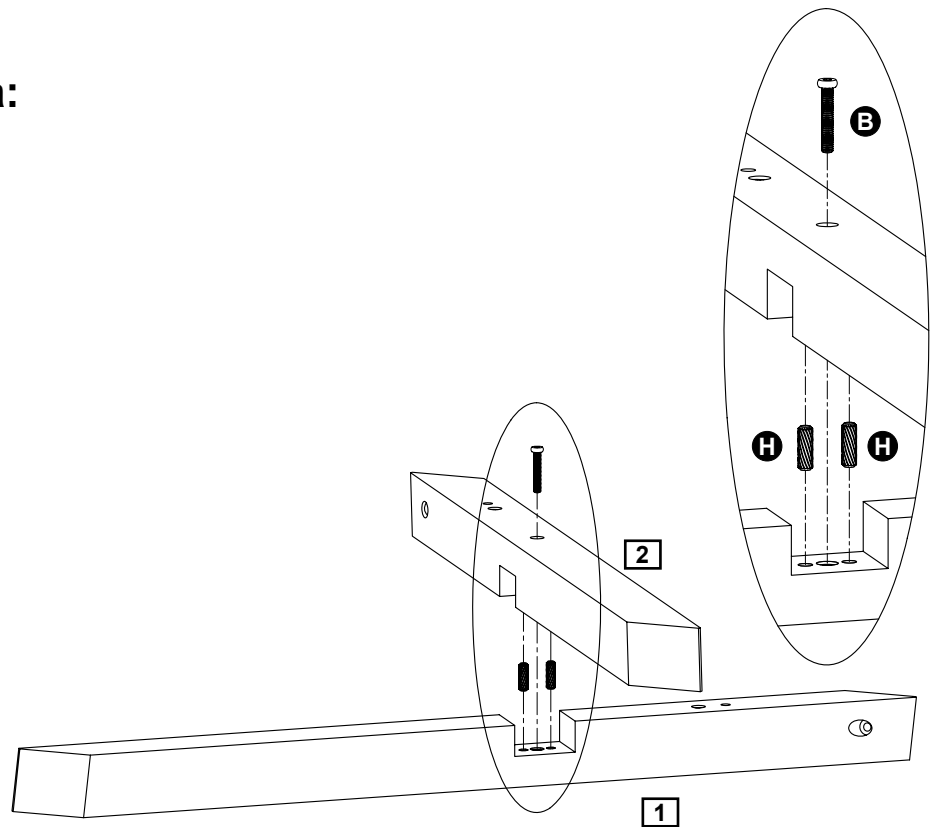
# Assembly Instructions

## Step 1

### Assemble table legs

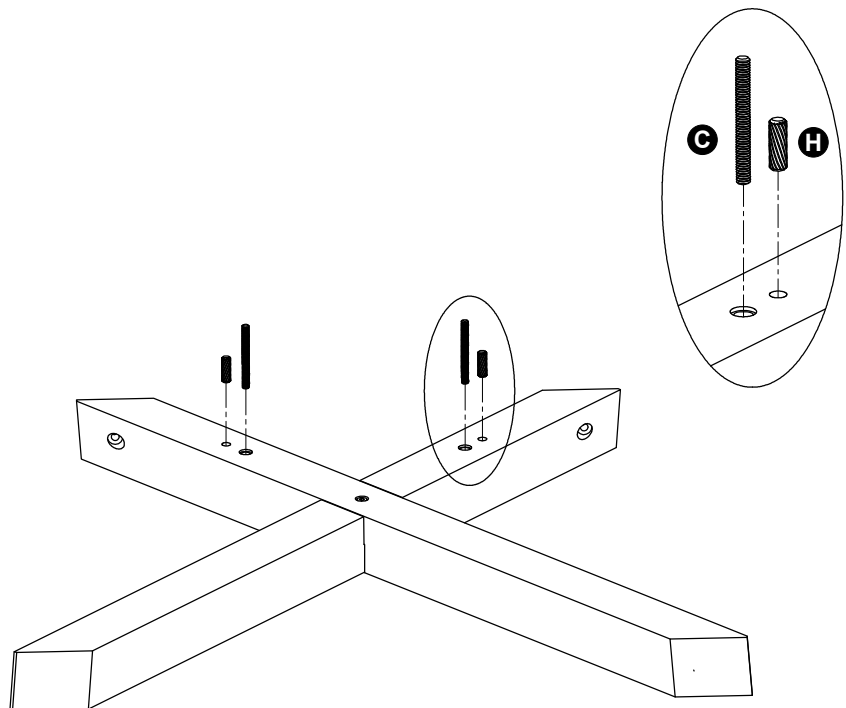
**a:** Fix table leg **1** and **2** by using bolt **B**, wooden dowels **H**.

**a:**



**b:** Fix screws **C** and insert wooden dowels **H** into table legs.

**b:**



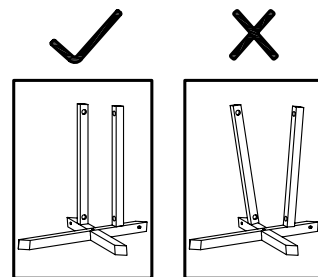
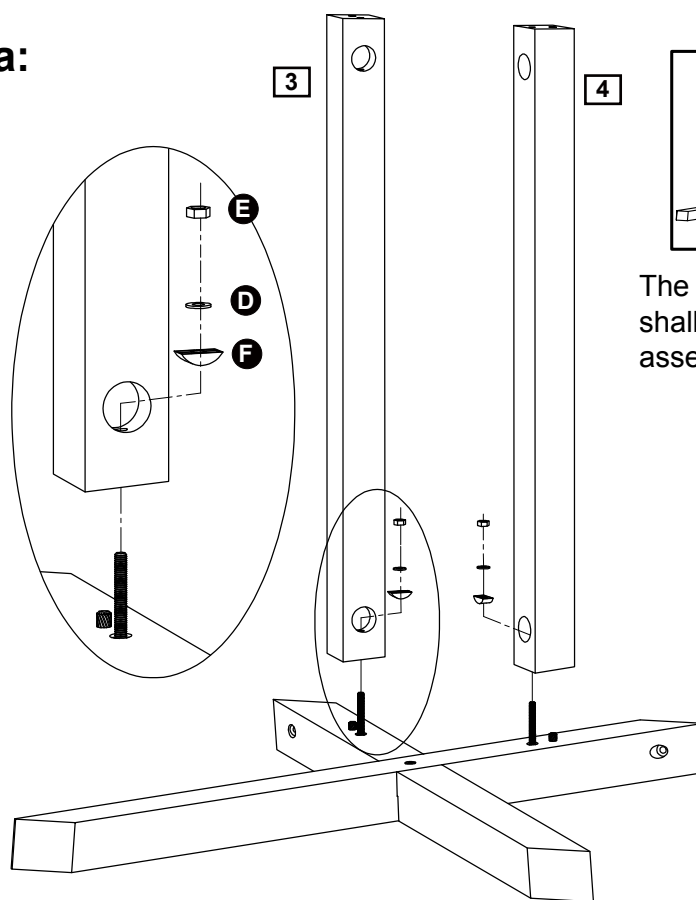
# Assembly Instructions

## Step 2

### Assemble support bars

**a:** Attach support bars **3** and **4** to table legs, then fix with connectors **F**, plain washers **D** and nuts **E**.

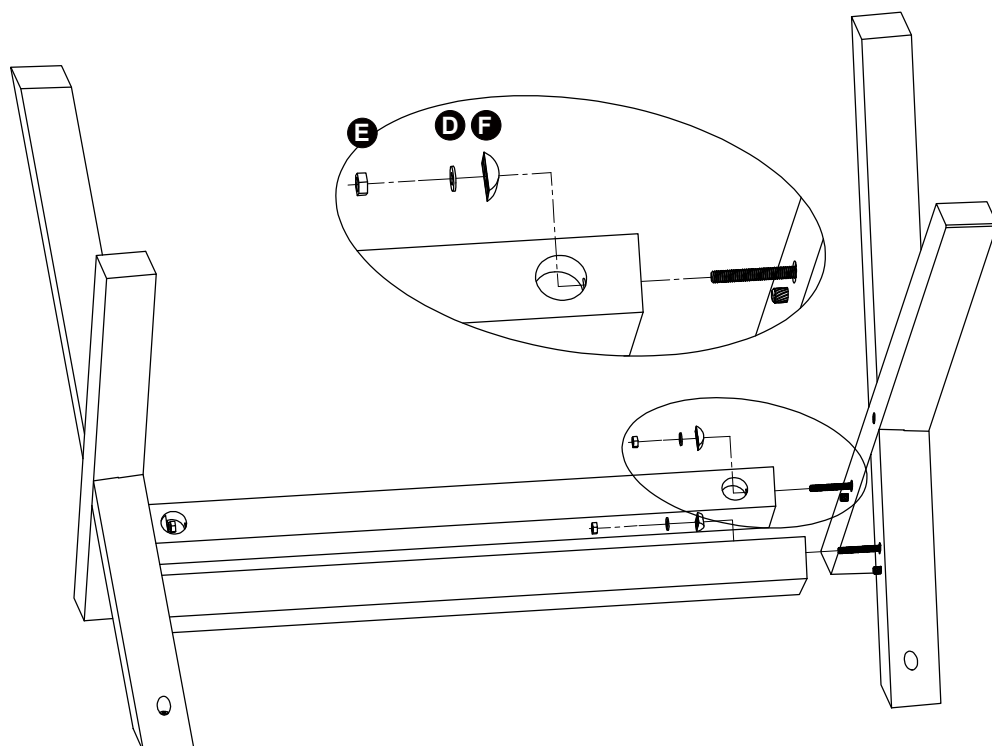
**a:**



The support bars **3** and **4** shall be in parallel after assembled.

**b:** Fix another leg frame with connectors **F**, plain washers **D** and nuts **E**.

**b:**



**Important note:** Do not fully tighten bolts at this stage.

# Assembly Instructions

## Step 3

### Assemble table top

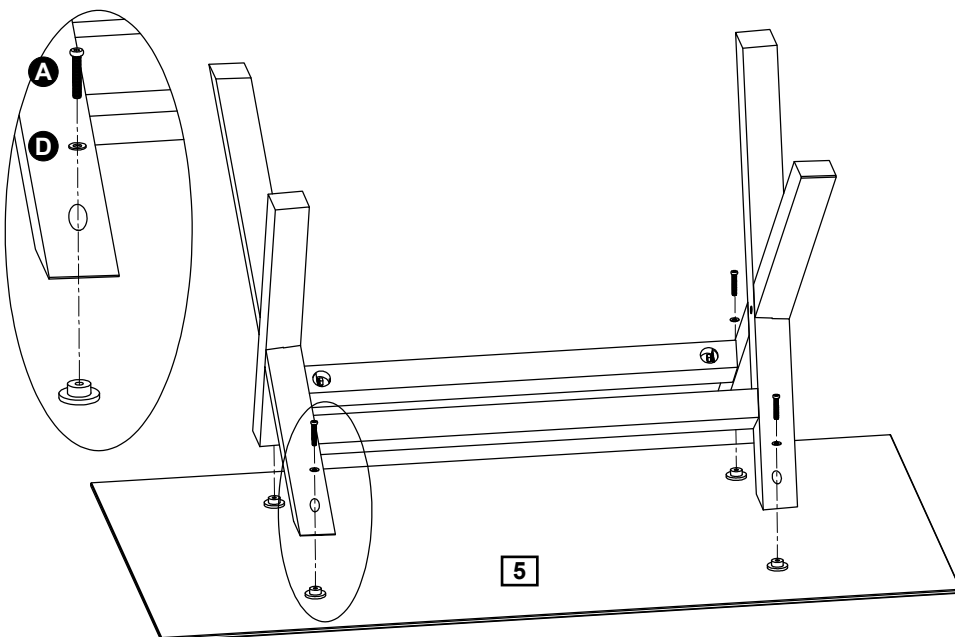
Two people are needed here.

Place table top **5** upside down on a clean protected surface.

Fix the assembled unit frame onto table top using bolts **A**, plain washers **D**.



**Important note:** After all the parts are positioned, you can now fully tighten all bolts fixed on previous steps.



## Step 4

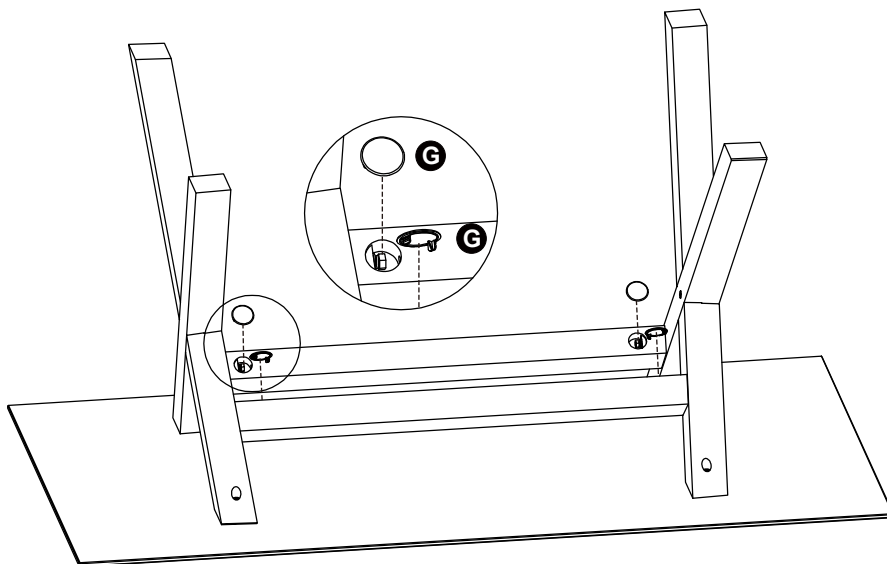
### Assemble cap

Cover the holes by using caps **G** as shown.

Turn the table upright.

Remove the plastic film on table top.

Assemble is complete



If you need help or have damaged or missing parts, call the **Customer Helpline:**  
**Argos = 0345 6400800**