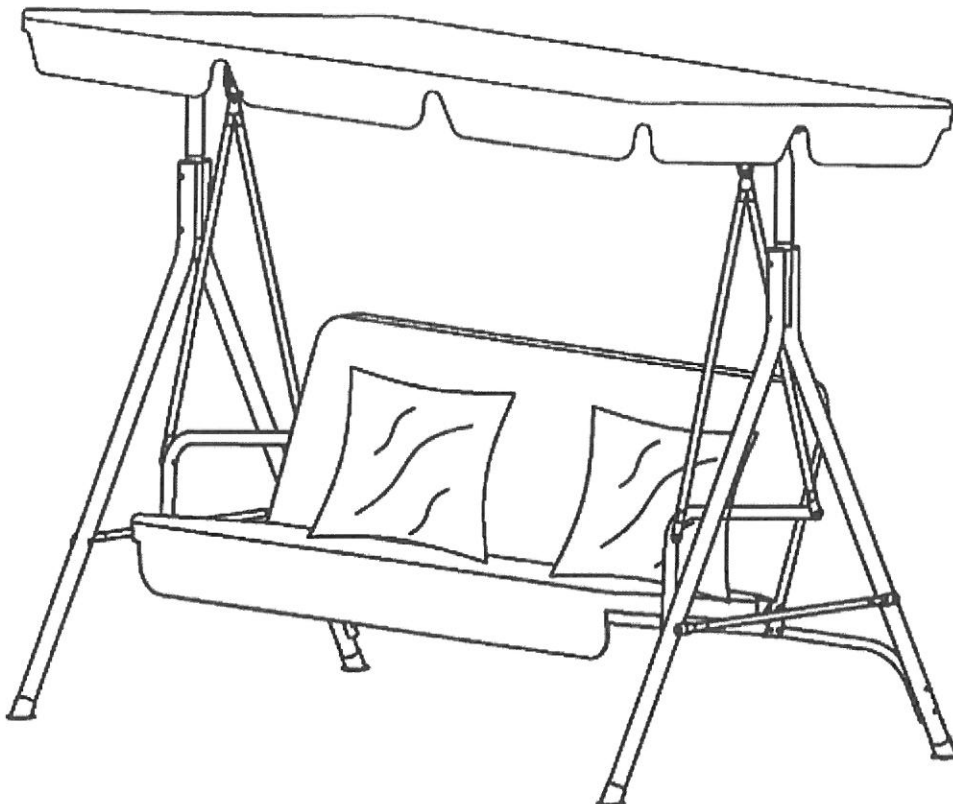


3 Seater Swing Chair

Assembly Instructions - Please keep for future reference

356/0877



Dimensions

Width - 170cm
Depth - 110cm
Height - 150cm

Important – Please read these instructions fully before starting assembly

If you need help or have damaged or missing parts, call the **Customer Helpline:**
Argos = 0345 6400800



Safety and Care Advice

Important – Please read these instructions fully before starting assembly

- Check you have all the components and tools listed on the following pages.
- Remove all fittings from the plastic bags and separate them into their groups.
- Keep children and animals away from the work area, small parts could choke if swallowed.
- Make sure you have enough space to layout the parts before starting.

- During assembly do not stand or put weight on the product, this could cause damage.
- Assemble the item as close to its final position (in the same room) as possible.
- Assemble on a soft level surface to avoid damaging the unit or your floor.
- Parts of the assembly will be easier with 2 people.



- To reduce the likelihood of damaging your product please ensure that your power drill is set on a low torque setting.

Care and maintenance

- Only clean using a damp cloth and mild detergent, do not use bleach or abrasive cleaners.
- From time to time check that there are no loose screws on this unit.
- This product should not be discarded with household waste. Take to your local authority waste disposal centre.

Handy Hints


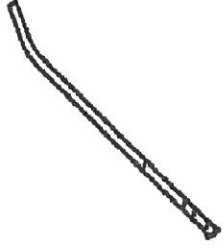

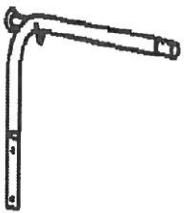






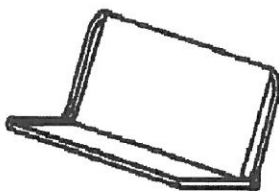

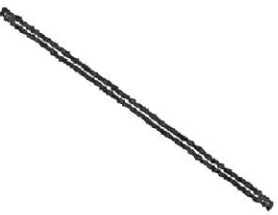

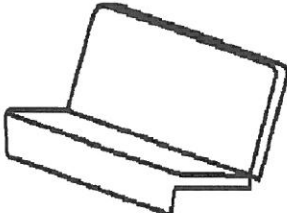
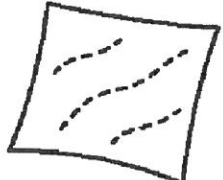
- Assemble all parts and bolts loosely during assembly, only once the product is complete should you fully tighten the bolts
- Regularly check and ensure that all bolts and fittings are tightend properly.

Note: if required the next page can be cut out and used as reference throughout the assembly. Keep this page with these instructions for future reference.

Components

If you have damaged or missing components, call the
Customer Helpline: Argos = 0345 6400800

Please check you have all the panels listed below


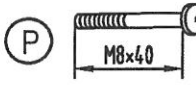
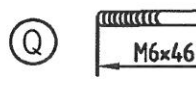

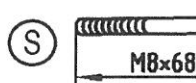



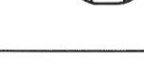






			
A Front Leg x 2	B Rear Leg x 2	C Right Crossbar x 1	D Left Crossbar x 1
			
E Side brace x 2	E1 Suspension tube x 4	F Left Rear Brace x 1	G Right Rear Brace x 1
			
H Spring x 2	I Armrest tube x 2	J Seat Frame x 1	K Canopy side tube x 2
			
L Canopy Straight tube x 2	M Canopy cover x 1	N Seat & Back Cushion x1	AA Scatter cushion x2



Components - Fittings

Please check you have all the fittings listed below

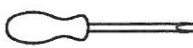
Note: The quantities below are the correct amount to complete the assembly. In some cases more fittings may be supplied than are required.

 <p>30mm M6 Bolt x 1</p>	 <p>40mm M8 Bolt x 2</p>	 <p>46mm M6 Bolt x2</p>
 <p>60mm M8 Bolt x 2</p>	 <p>68mm M8 Bolt x 2</p>	 <p>65mm M6 Bolt x 4</p>
 <p>86mm Bolt M6 x 4</p>	 <p>M6 Nut x 15</p>  <p>M8 Nut x 6</p>	 <p>M6 Washer x 15</p>  <p>M8 Washer x 6</p>
 <p>48mm M6 Bolt x 48</p>	 <p>Canopy Bracket Screw x 2</p>	 <p>M6 Nut cover x 15</p>  <p>M8 Nut cover x 6</p>

Tools required



Phillips screwdriver (medium & large)

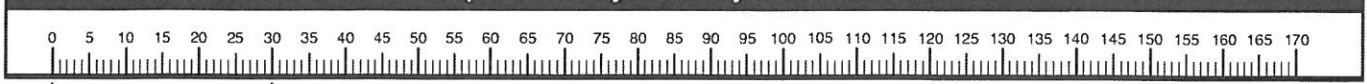


Flatblade screwdriver (medium)



10mm & 13mm spanner

Ruler - Use this ruler to help correctly identify the screws



Assembly Instructions

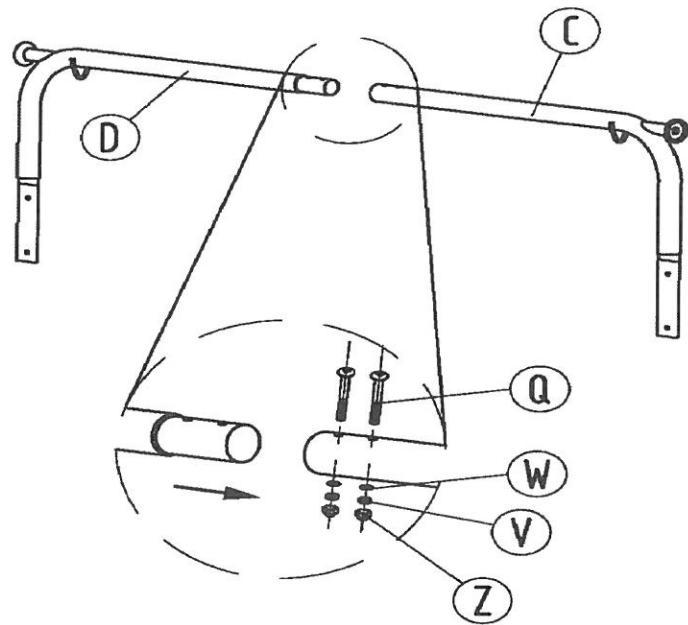
Step 1

Fix crossbars together

Slide part D into part C

Attach together by inserting bolt Q (x2) into the holes provided and fix together with M6 washers W and M6 nuts V and tighten

Attach nut cover Z when the hammock is fully assembled.



Step 2

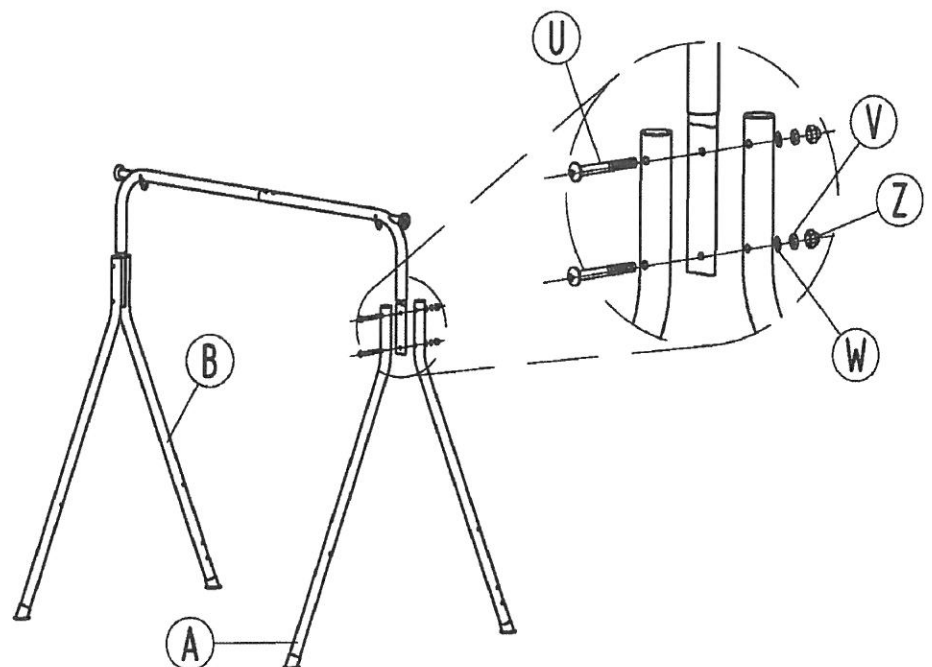
Attach legs to assembled crossbar

Attach front leg part A and back leg part B to the crossbar by inserting M6 bolts U through the holes in the three tubular parts as shown.

Fix together by using M6 washers W and nuts V and tighten.

Repeat on the other side.

Attach nut cover Z when the hammock is fully assembled.



Assembly Instructions

Step 3

Attach side braces to front and back legs.

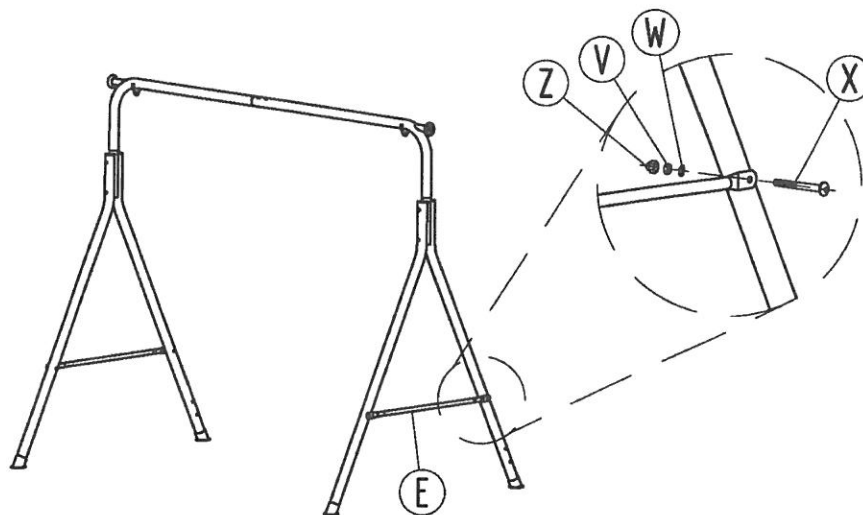
Attach the side brace part E to outside of the back leg by inserting bolt X through the holes provided as shown.

Fix together by using M6 washer W and M6 nut V and tightened.

Repeat for the front leg.

Repeat for the other side, front and back legs.

Attach M6 nut cover when the hammock is fully assembled.



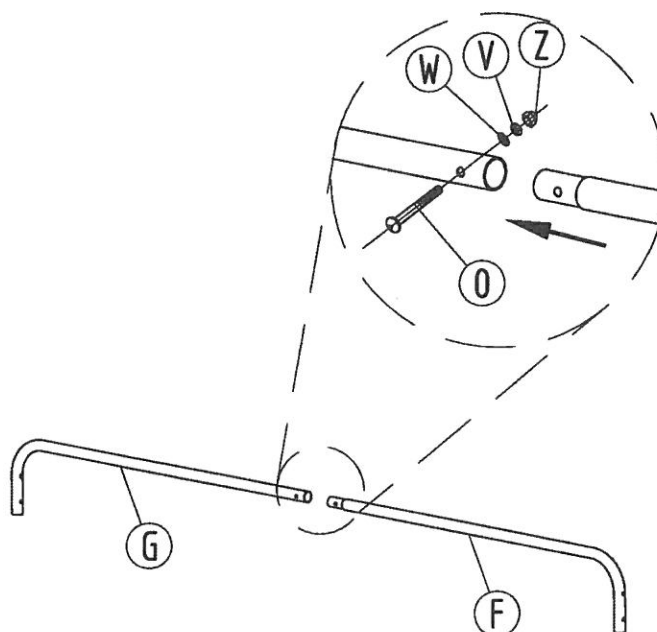
Step 4

Fix left and right rear braces together.

Slide right rear brace F into left rear brace G as shown.

Insert M6 bolt O through the holes provided and fix together using M6 washer W and M6 nut V and tighten.

Attach M6 nut cover Z when the hammock is fully assembled.



Assembly Instructions

Step 3

Attach side braces to front and back legs.

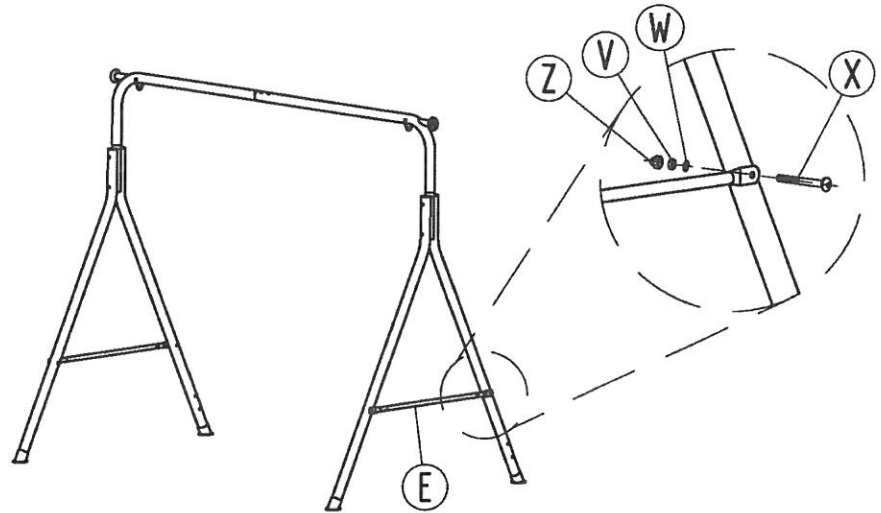
Attach the side brace part E to outside of the back leg by inserting bolt X through the holes provided as shown.

Fix together by using M6 washer W and M6 nut V and tightened.

Repeat for the front leg.

Repeat for the other side, front and back legs.

Attach M6 nut cover when the hammock is fully assembled.



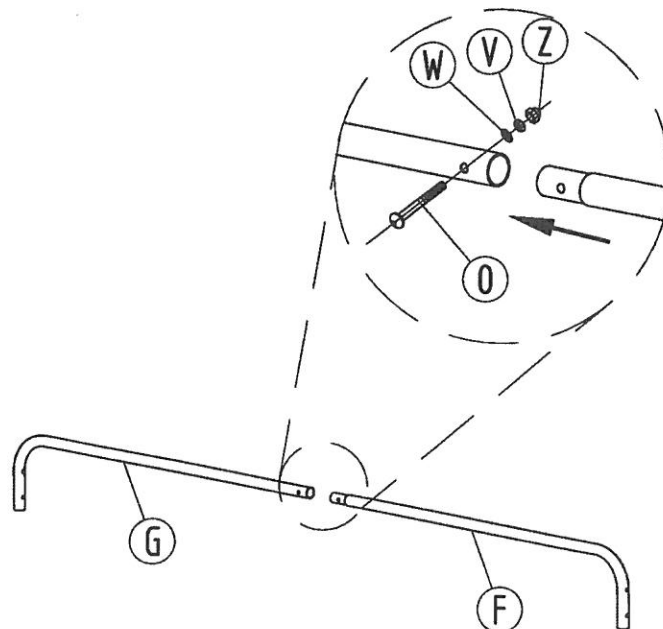
Step 4

Fix left and right rear braces together.

Slide right rear brace F into left rear brace G as shown.

Insert M6 bolt O through the holes provided and fix together using M6 washer W and M6 nut V and tighten.

Attach M6 nut cover Z when the hammock is fully assembled.



Assembly Instructions

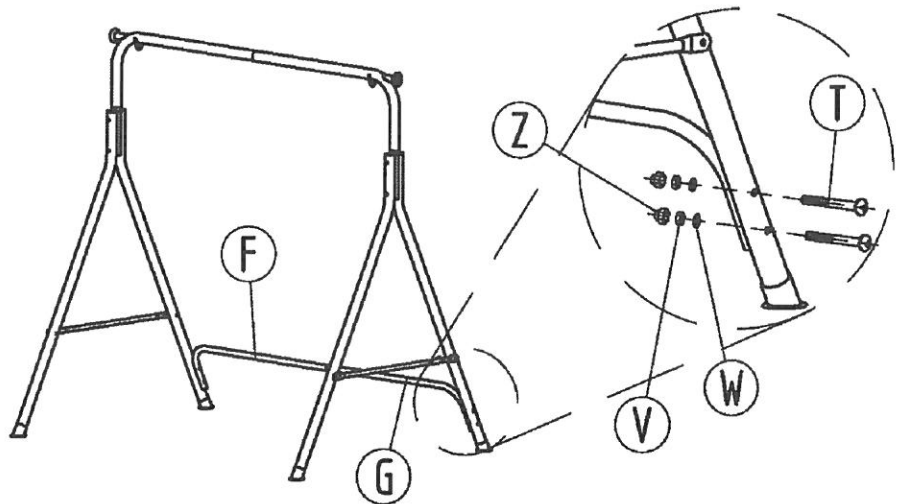
Step 5

Attach rear leg braces to back legs.

Attach the assembled rear leg brace from Step 4 to the two back legs by inserting M6 bolt T through the holes provided as shown.

Fix together using M6 washer W and M6 nut V and tighten.

Repeat on the other side.

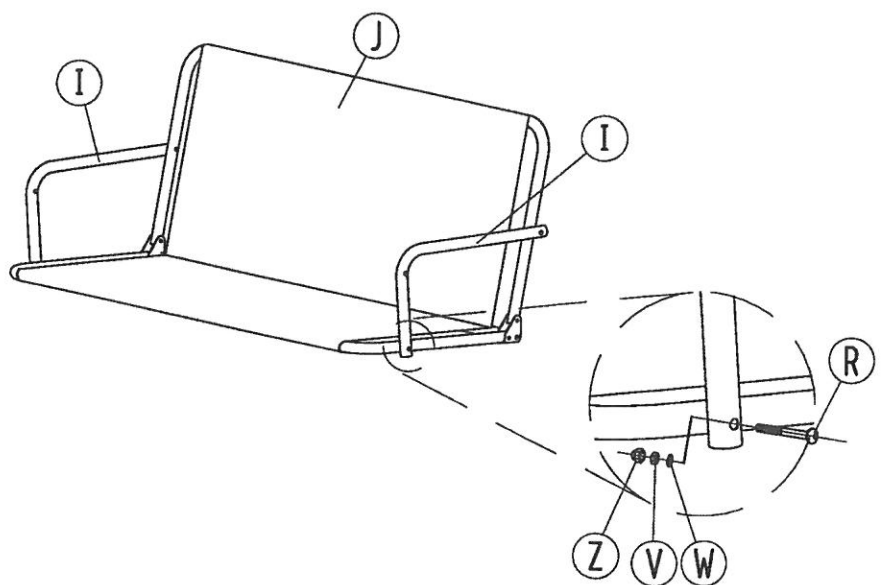


Step 6

Attach armrest to the seat frame.

Attach the armrests part I to the front of the seat frame part J by inserting M8 bolt R through the holes provided as shown. Fix together by using M8 washer W and M8 washer V and tighten.

Repeat on the other side.



Assembly Instructions

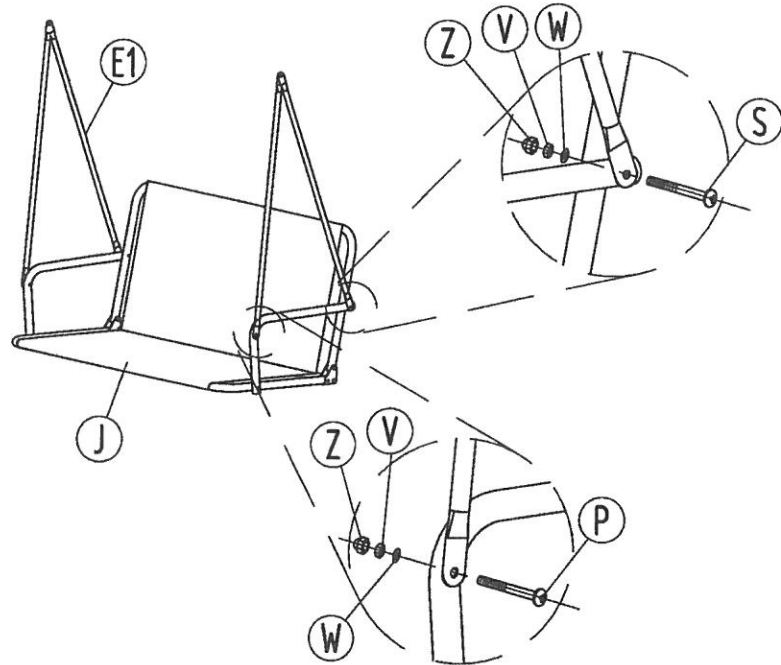
Step 7

Attach suspension tubes to the armrests.

Attach one suspension tube part E1 to the front of the armrest by inserting M8 bolt P through the holes as shown. Fix together using M8 washer W and M8 nut and tighten.

Attach another suspension tube part E1 to the back of the armrest by inserting m8 bolt S through the holes as shown. Fix together using M8 washer W and M8 nut V and tighten.

Repeat on the other side.



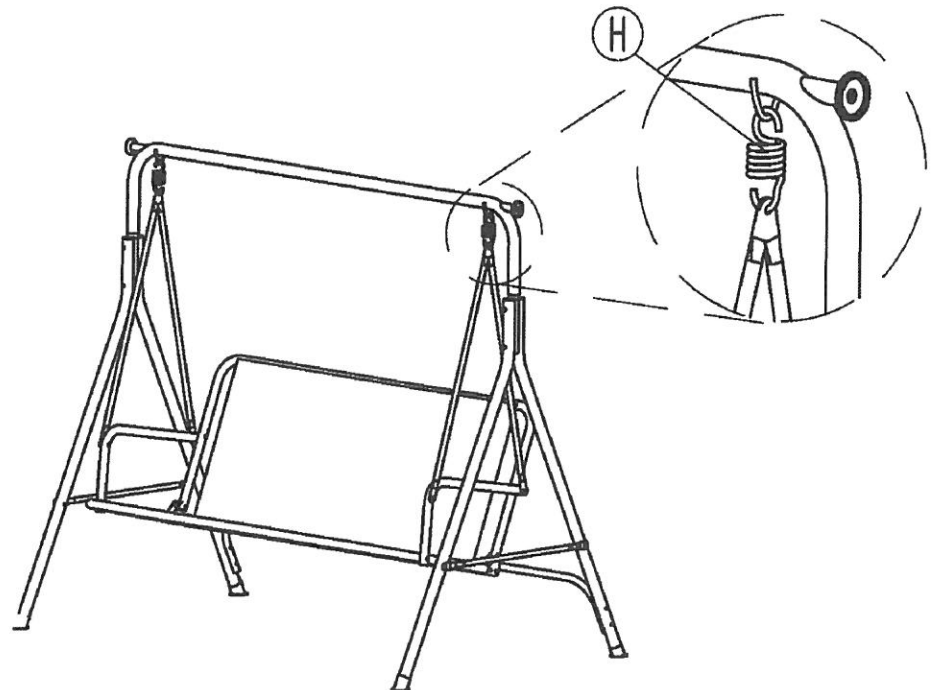
Step 8

Attach the seat frame to the crossbar.

Attach the seat frame to the main cross bars by inserting a spring part H through the holes provided in the two suspension tubes E1.

Repeat on the other side.

When the springs are attached on the two sides, gently lift the seat frame and insert the springs through the metal loops on the crossbar. The assistance of another person is suggested.



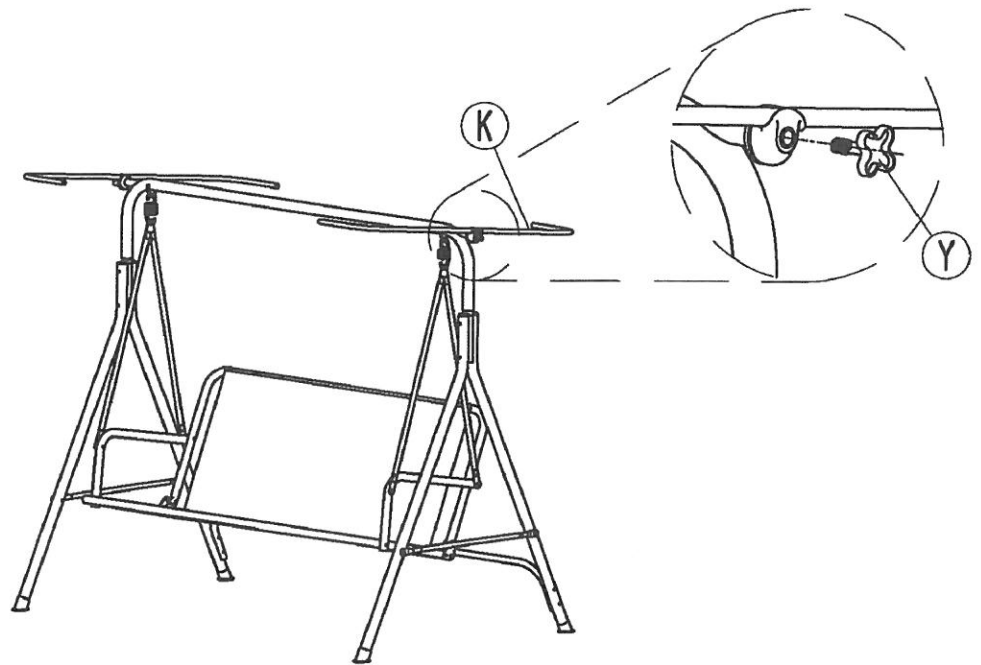
Assembly Instructions

Step 9

Attach canopy side tubes to the crossbar.

Attach the canopy side tube part K to the crossbar by lining up the plastic bracket on the canopy side tube with the corresponding plastic part on the crossbar. Fix together by inserting Part Y and screwing into place. Be careful not to overtighten.

Repeat on the other side.

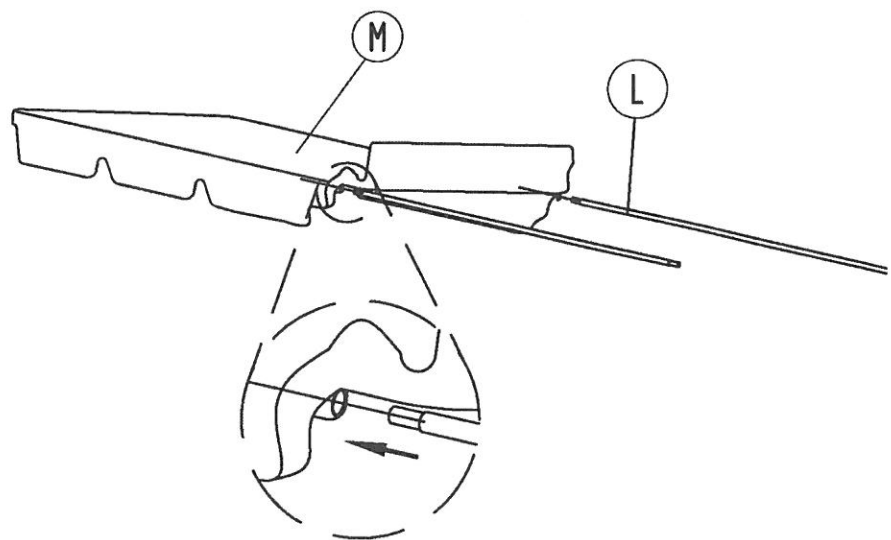


Step 10

Attach the canopy cover.

Attach the fabric canopy cover part M to the canopy straight tubes part L by inserting the tubes through the fabric tunnels on the underside of the canopy.

Insert each tube separately and gather the canopy cover into the centre of the tubes. This will make the next step easier.



Assembly Instructions

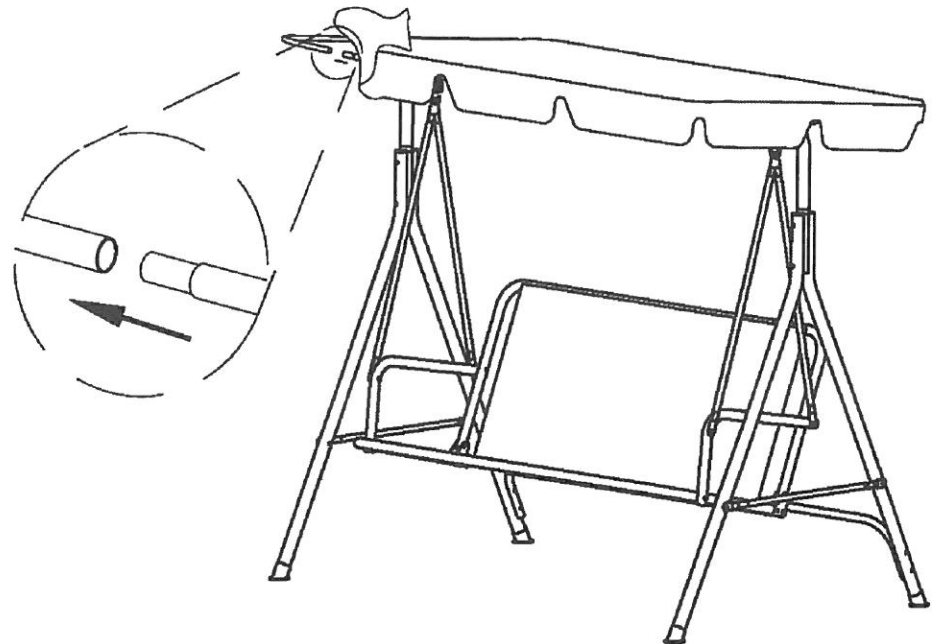
Step 11

Attached the canopy cover and straight tubes to the main frame.

With the assistance of another person, lift the combined canopy cover and canopy straight tubes up and insert the straight tube into the canopy side tube as shown, repeat on the back.

When one side is complete repeat on the other side of the hammock.

Be careful not to strain the plastic bracket fittings/brackets on the side of the hammock.



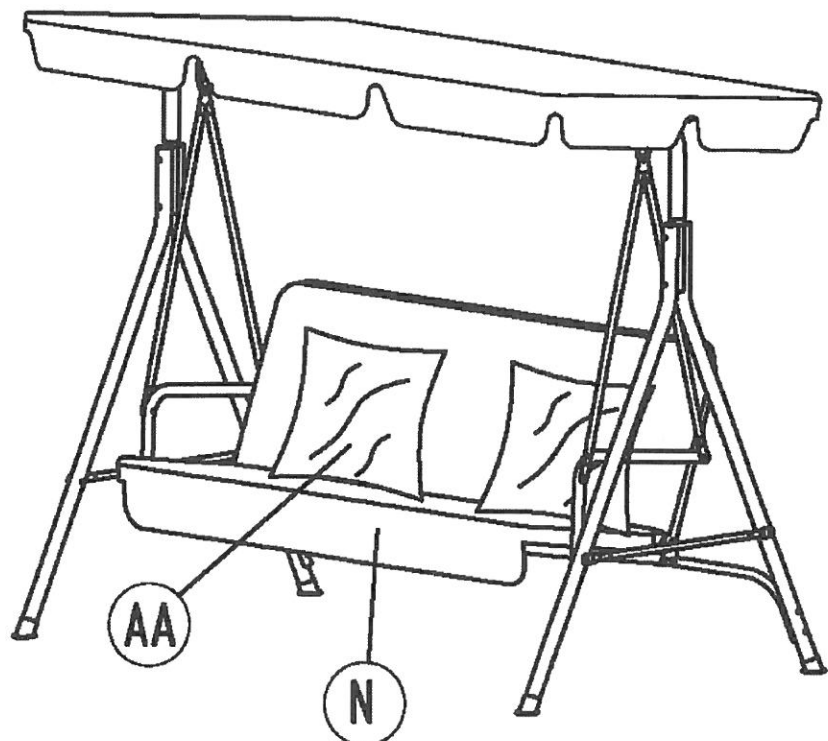
Step 12

Attach the cushions to hammock.

Fit the main seat & back cushions Part N to the hammock seat by sliding the fabric flap on the back of the cushion over the back frame.

Attach the cushions to the seat frame using the ties provided.

Put the scatter cushions Part AA on the hammock for further comfort.



Assembly is complete.

If you need help or have damaged or missing parts, call the Customer Helpline:
Argos = 0345 6400800