

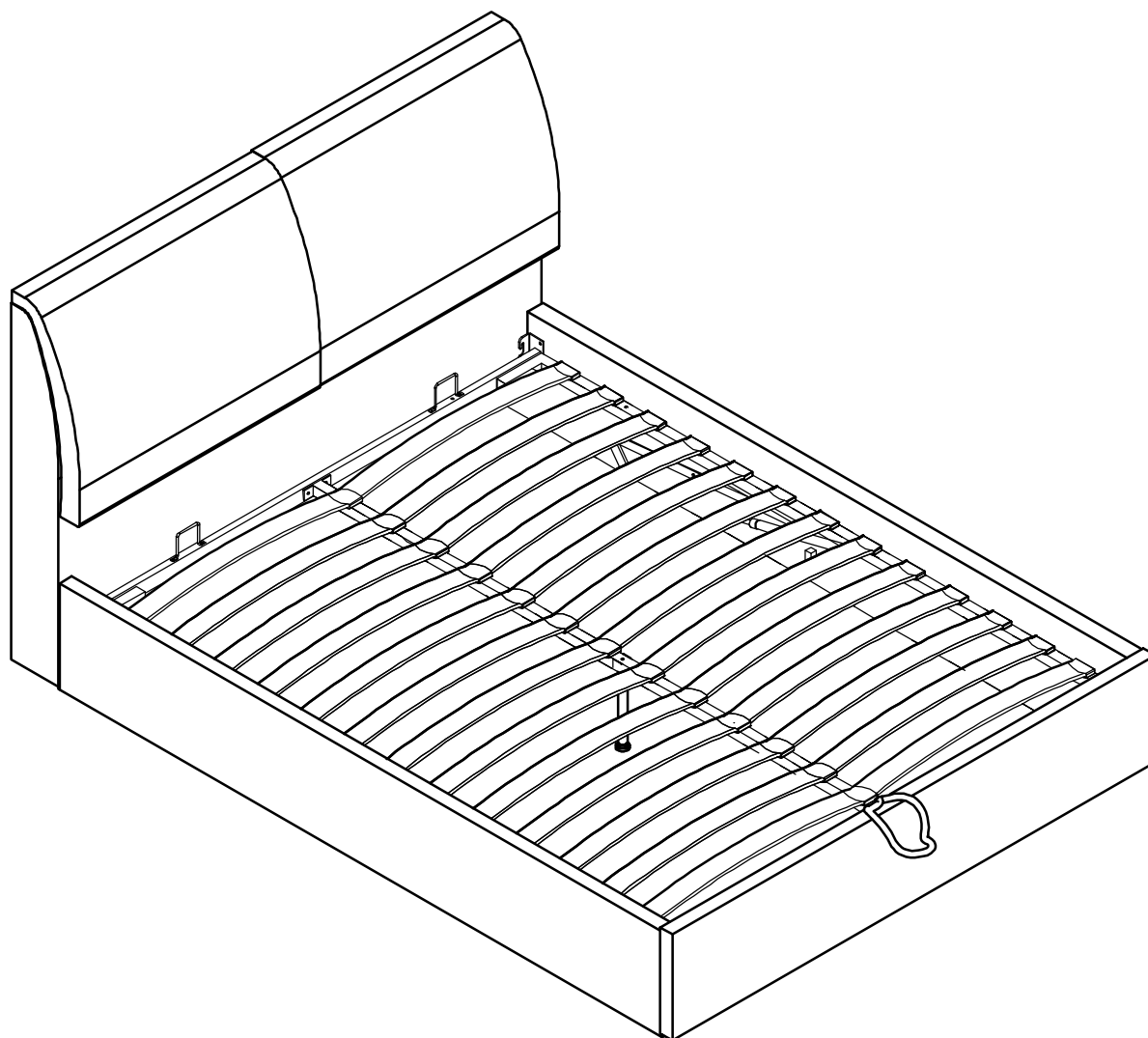
# Vince Ottoman Bed Frame

Assembly Instructions - Please keep for future reference

355/4845

330/7281

**hygena**



## Dimensions

Depth x Width x Height

213cm x 148cm x 111cm (Double)

223cm x 163cm x 111cm (King)

**Important – Please read these instructions fully before starting assembly**

If you need help or have damaged or missing parts, call the **Customer Helpline:**  
**Argos = 0345 640800**



# Safety and Care Advice

**Important – Please read these instructions fully before starting assembly**

- Check you have all the components and tools listed on the following pages.
- Remove all fittings from the plastic bags and separate them into their groups.
- Keep children and animals away from the work area, small parts could choke if swallowed.
- Make sure you have enough space to layout the parts before starting.

- Assemble the item as close to its final position (in the same room) as possible.
- Assemble on a soft level surface to avoid damaging the unit or your floor.
- Assembly requires 2 people.
- Do not fully tighten bolts until the whole bed is assembled.
- Do not overtighten the nuts to avoid causing damage to the threads.



- To reduce the likelihood of damaging your product please ensure that your power drill is set on a low torque setting.
- Recommended thickness of mattress: 16-22cm.

## Care and maintenance

- Only clean using a damp cloth and mild detergent, do not use bleach or abrasive cleaners.
- From time to time check that there are no loose screws on this unit.
- This product should not be discarded with household waste. Take to your local authority waste disposal centre.

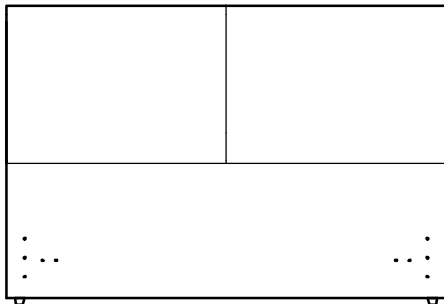
## Caution

- Please ensure children and pets do not play in the storage area or try to lift up the metal frame.
- Once assembled, put mattress on frame before pushing it down and only lift up or push down the metal frame with mattress on top.
- Only use the handle to lift and lower the bed frame to avoid trapping fingers.

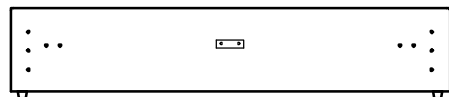
# Components - Panels

If you have damaged or missing components, call the Customer Helpline: Argos = 0345 6400800

Please check you have all the panels listed below



**1** Headboard



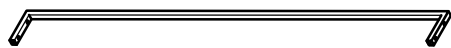
**4** Footboard



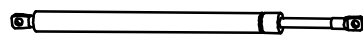
**7** Front bar



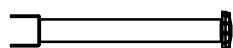
**8** Rear bar



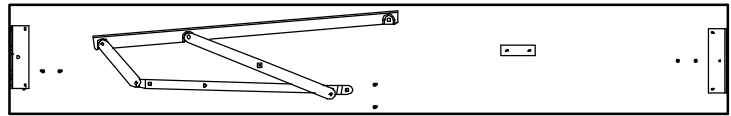
**10** Bottom support bar



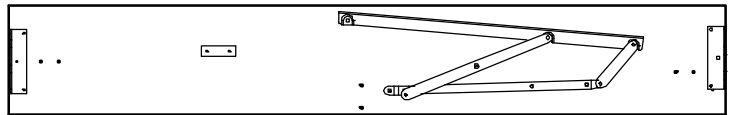
**13** Piston x 2



**17** Leg



**2** Right side rail



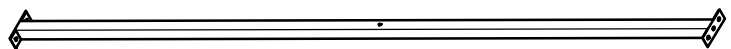
**3** Left side rail



**5** Left side bar



**6** Right side bar



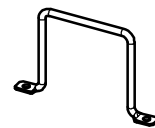
**9** Middle bar



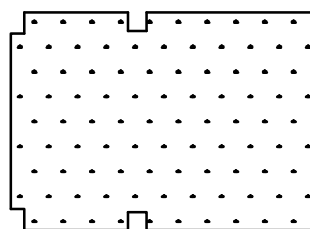
**11** Slat x 26 (double)  
or x 30 (King)



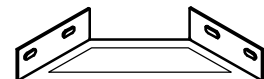
**12** Strap



**15** Mattress stopper x 2



**14** Non-woven fabric  
(in the headboard storage)



**16** Corner bracket x 4  
(2 pcs for headboard)  
(2 pcs for footboard)



**18** Slat cap x 13 (Double)  
or x 15 (King)

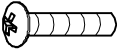
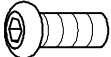
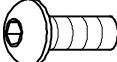
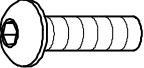
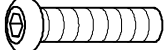
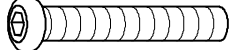

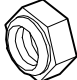

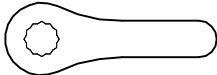


**19** Slat cap x 26 (Double)  
or x 30 (King)

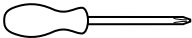
# Components - Fittings

Please check you have all the fittings listed below

**Note:** The quantities below are the correct amount to complete the assembly. In some cases more fittings may be supplied than are required.

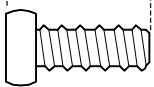
<p><b>A</b>  12mm Bolt x 4</p>	<p><b>B</b>  19mm Bolt x 8</p>	<p><b>C</b>  19mm Bolt x 16</p>
<p><b>D</b>  29mm Bolt x 12</p>	<p><b>E</b>  34mm Bolt x 4</p>	<p><b>F</b>  44mm Bolt x 9</p>
<p><b>G</b>  Plain washer x 4</p>	<p><b>H</b>  Nut x 4</p>	<p><b>I</b>  Hex key x 1</p>
<p><b>J</b>  Wrench x 1</p>		

## Tools required

 Phillips screwdriver

## Ruler - Use this ruler to help correctly identify the screws

0 5 10 15 20 25 30 35 40 45 50 55 60 65 70 75 80 85 90 95 100 105 110 115 120 125 130 135 140 145 150 155 160 165 170



The bolts length is measured from the head to the point (19mm bolt shown).

# Assembly Instructions

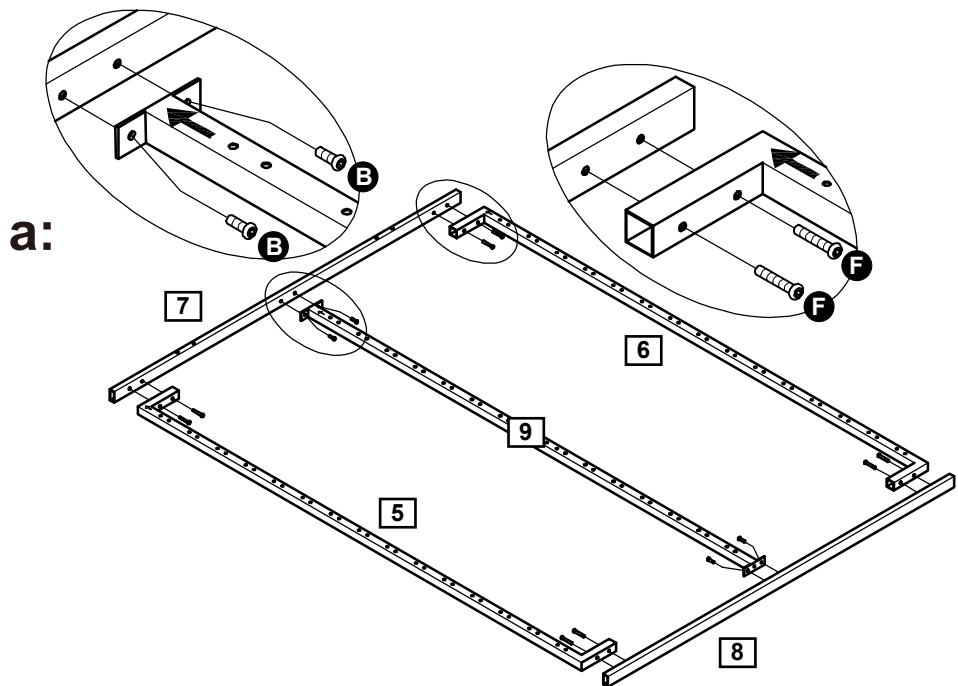
## Step 1

### Assemble slat frame

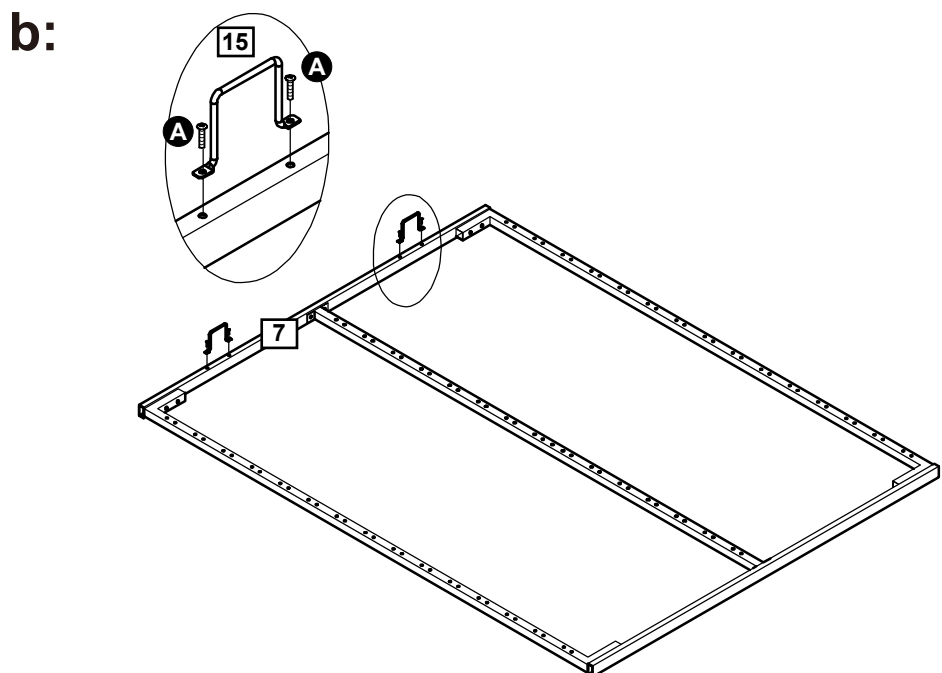
**a:** Fix side bars **5** & **6**, to front bar **7** and rear bar **8** using bolts **F**.

Fix middle bar **9** to front bar **7** and rear bar **8** using bolts **B**.

**Note:** Make sure the arrows on side bars & middle bar are pointed to the front bar.



**b:** Fix mattress stoppers **15** onto front bar **7** using bolts **A**.

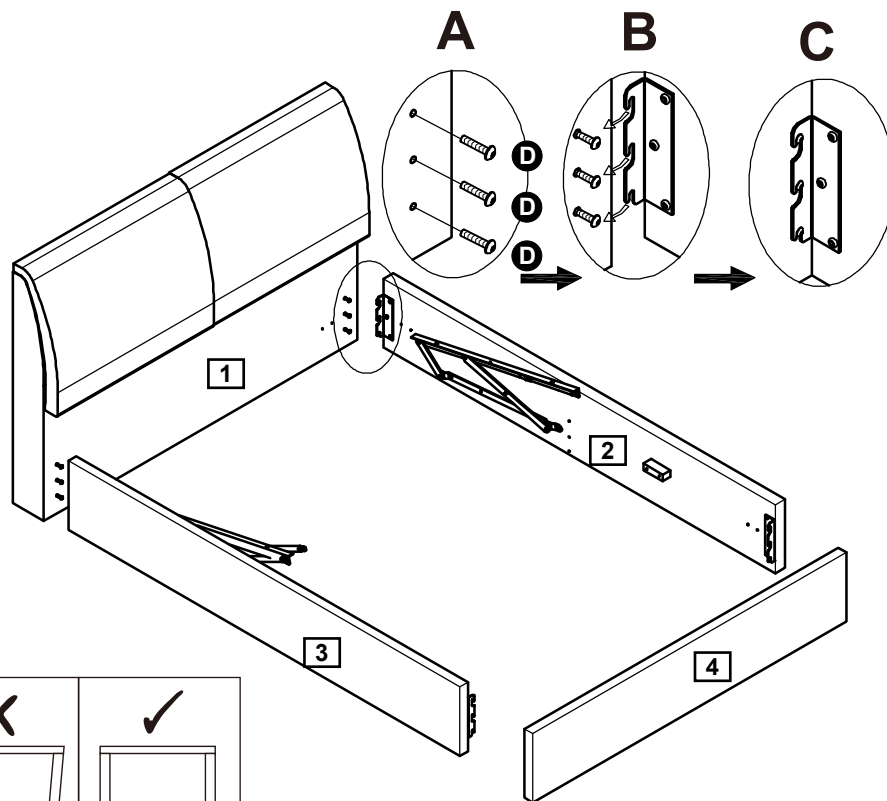


# Assembly Instructions

## Step 2

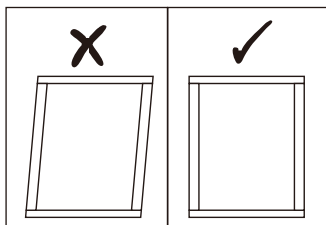
Fix side rails **2** & **3** to headboard **1** and footboard **4** using bolts **D**.

Follow step A-B-C.



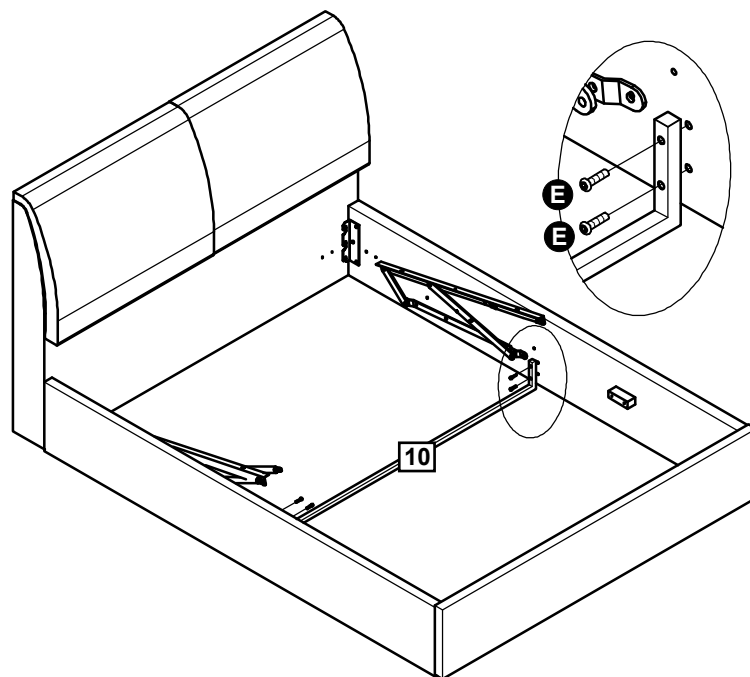
### Important note:

Do not fully tighten bolts at this stage.



## Step 3

Fix bottom support bar **10** to side rails using bolts **E**.

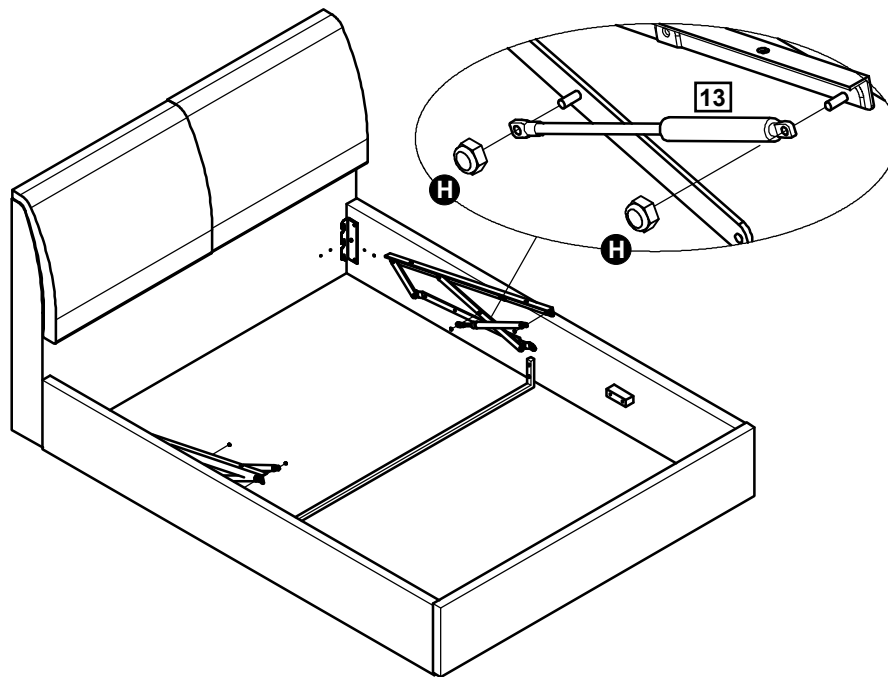


# Assembly Instructions

## Step 4

Fix pistons **13** to the lifting mechanism using nuts **H**.

**Note:** Make sure the pistons are placed as the figure shown.

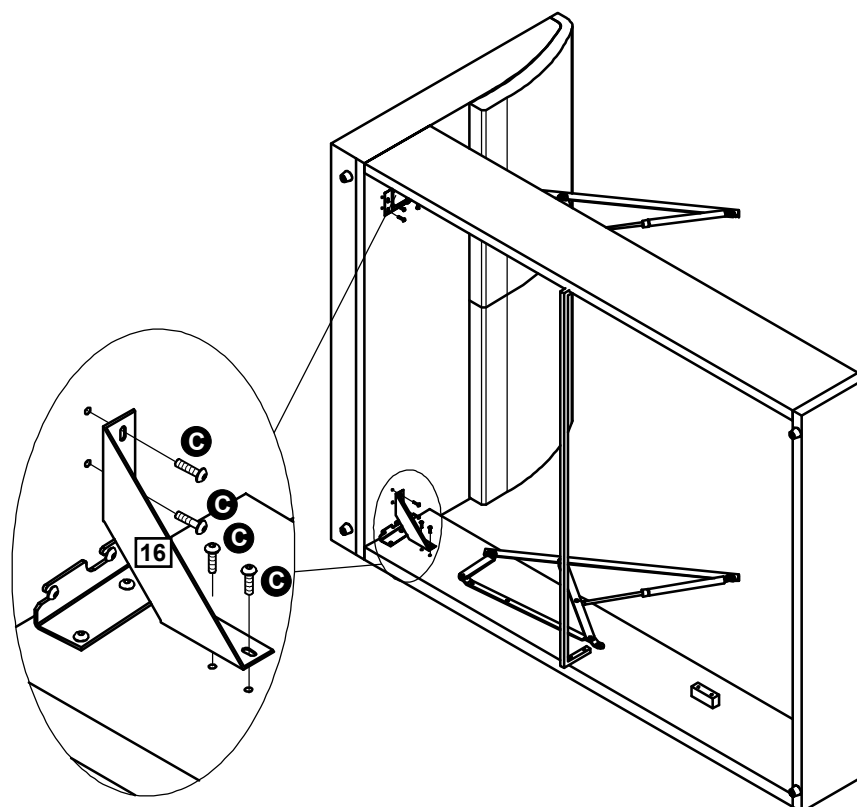


## Step 5

Place the assembled unit as shown.

**a:** Fix corner brackets **16** to headboard and side rails using bolts **C** as shown.

**a:**



Continued on next page.



**Important note:**

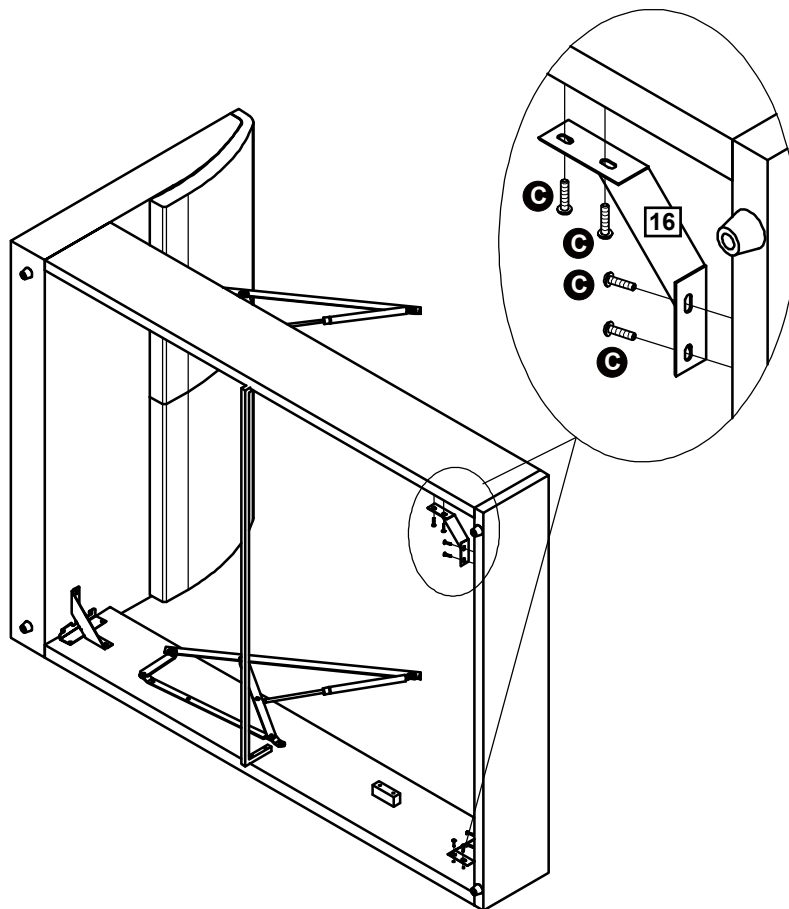
Make sure the side with label faces top.

# Assembly Instructions

## Step 5 - continued

**b:** Fix corner brackets **16** to footboard and side rails using bolts **C** as shown.

**b:**



### **Important note:**

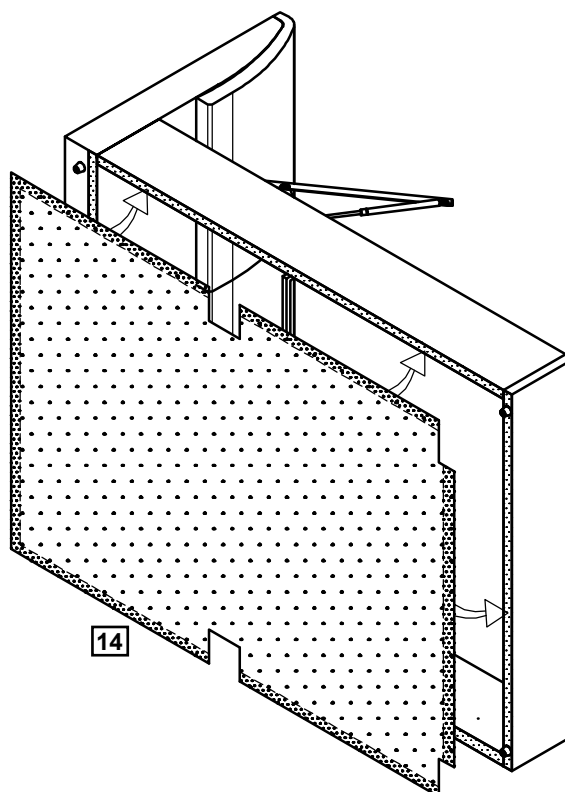
Make sure the side with label faces top.



**Important note:** After all the parts are positioned, you can now fully tighten all bolts fixed on previous steps.

## Step 6

Attach non-woven fabric **14** on the bottom of the bed as shown.



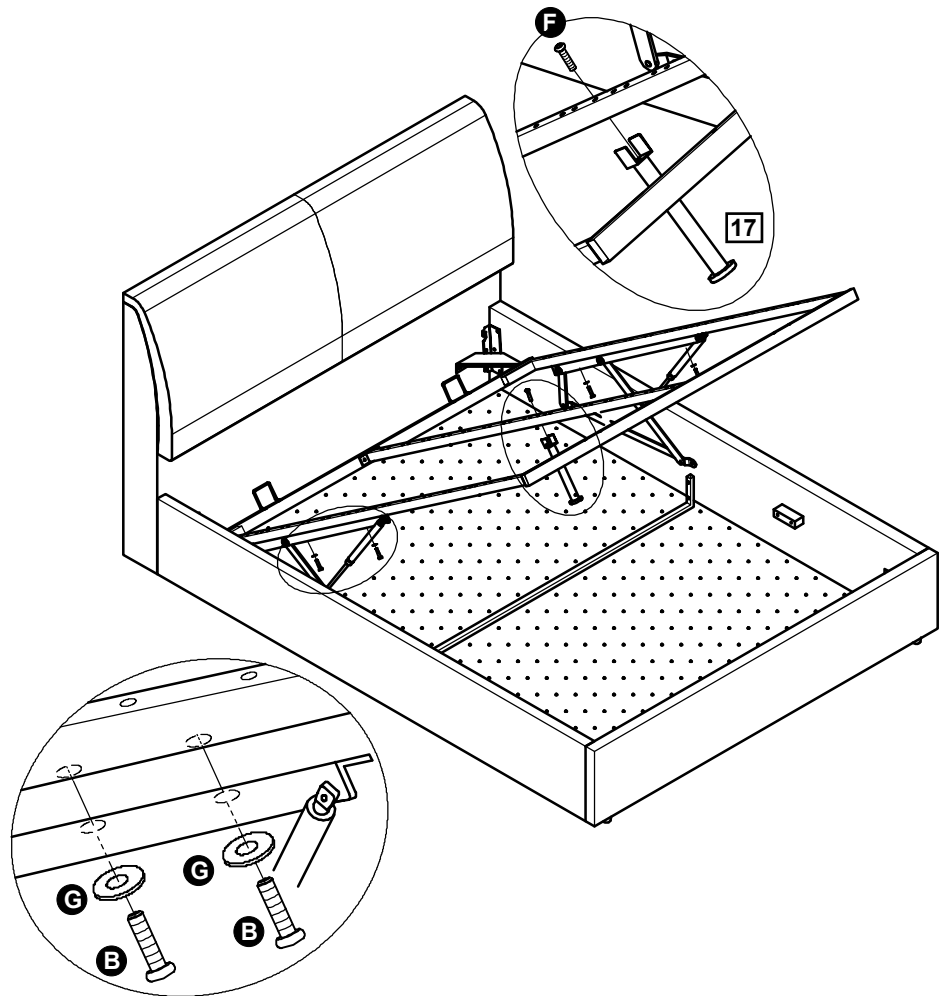


# Assembly Instructions

## Step 7

Fix the assembled slat frame onto the lifting mechanism using plain washers **G** and bolts **B**.

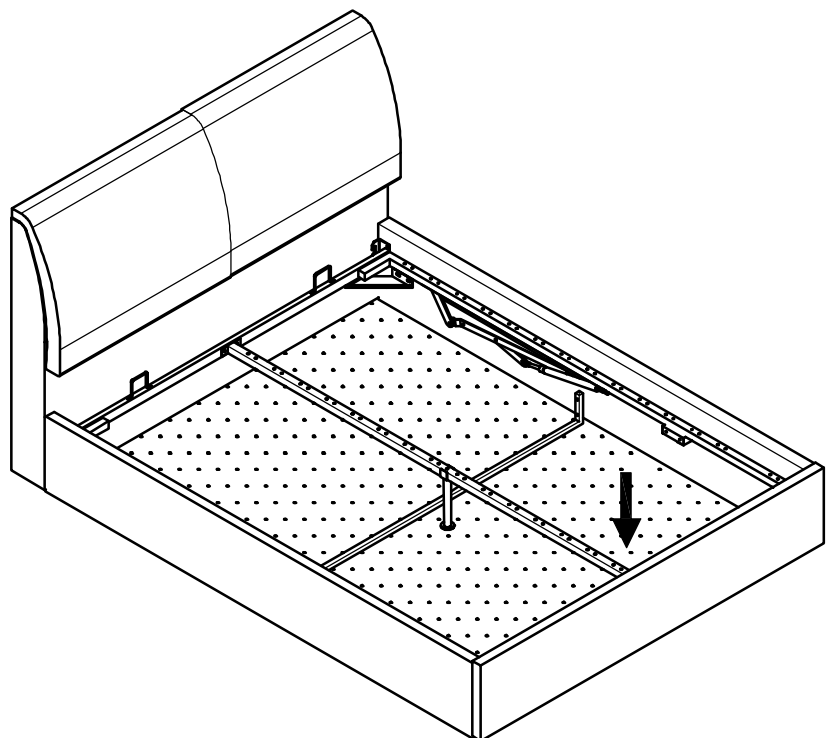
Fix leg **17** under the middle bar using bolt **F**.



## Step 8

**a:** Push the slat frame down.

**a:**



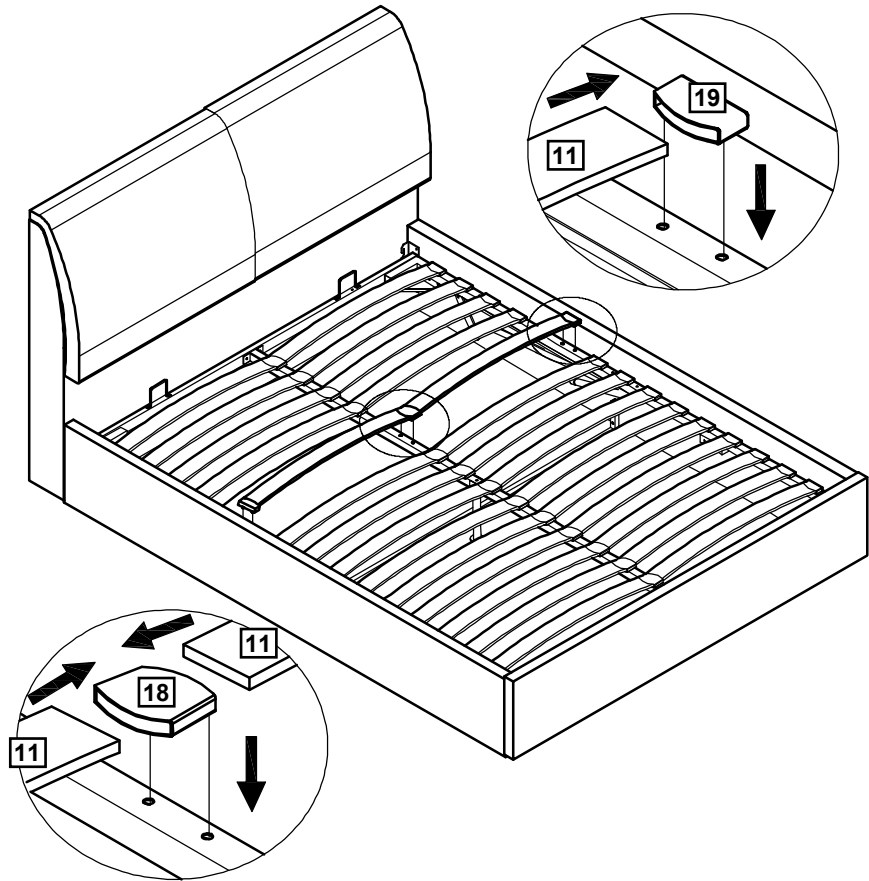
Continued on next page.

# Assembly Instructions

## Step 8 - continued

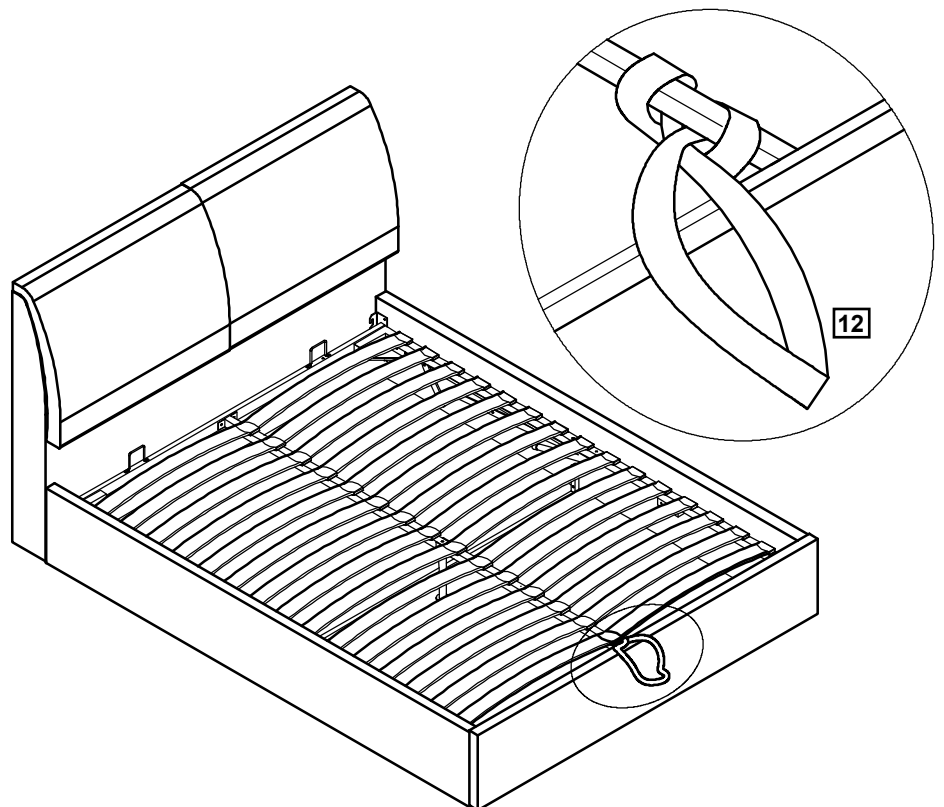
**b:** Slot the slats **11** to the slat caps **18** & **19** then insert it to the slat frame

**b:**



## Step 9

Tie the strap **12** to the end of the middle bar as shown.

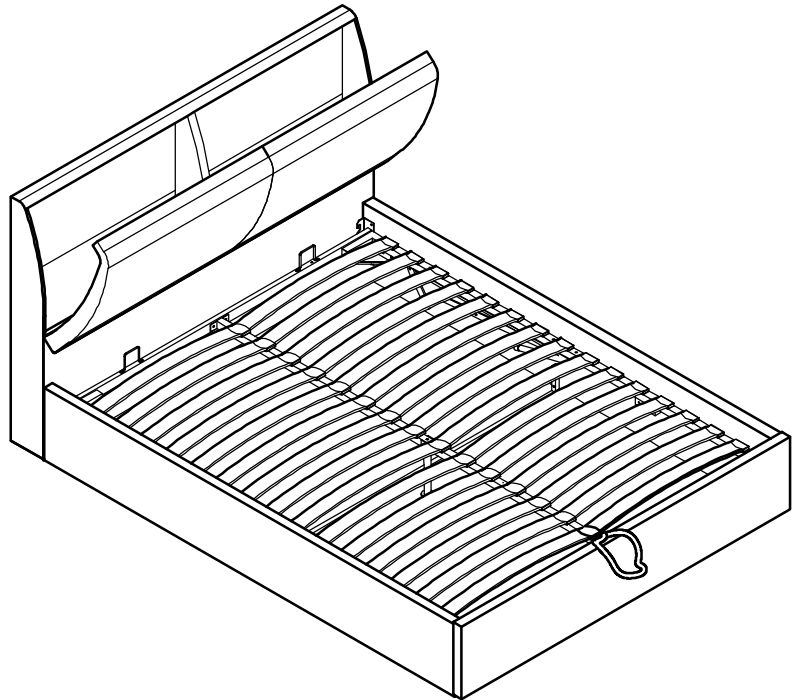


**Assembly is complete.**

# Assembly Instructions

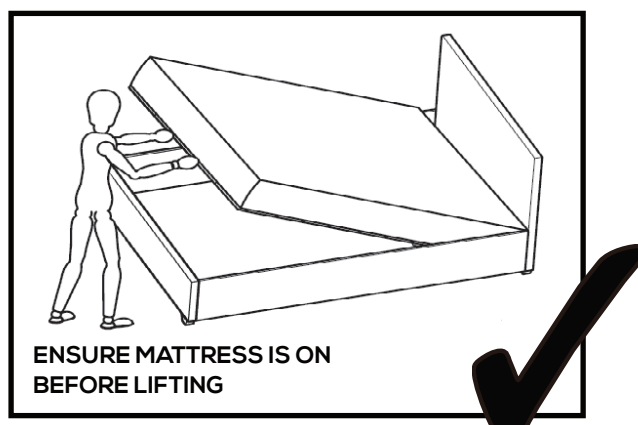
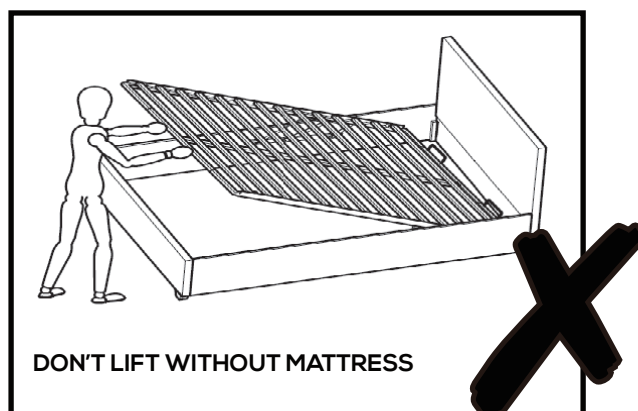
## Additional information

The headboard can be opened for storage.



# Important Ottoman Safety Warnings

- **Caution. This bed uses a pressurised mechanism.**
- **Use caution when operating - Always use two hands at arm's length, and only where illustrated on the product.**
- **You must ensure the mattress is on the bed frame before lifting the mechanism - Failure to do so may result in injury.**
- **Please ensure Children and Pets are kept away from the bed when operating the bed mechanism.**
- **If removing the mattress, make sure that the frame is secured as it could flip open.**
- **Only use the storage compartment when the frame is fully raised in the 'up' position.**
- **No children or animals are left unattended when the frame is in the 'up' position.**
- **Do not remain on the bed whilst the lifting mechanism is in use.**
- **Beware of Entrapment – Keep both hands clear of mechanism when operating the mechanism.**
- **When lifting the bed remove all bedding – Except the fitted sheet.**



If you need help or have damaged or missing parts, call the **Customer Helpline:**  
**Argos = 0345 6400800**