

Mix and Match - 3 Door Robe

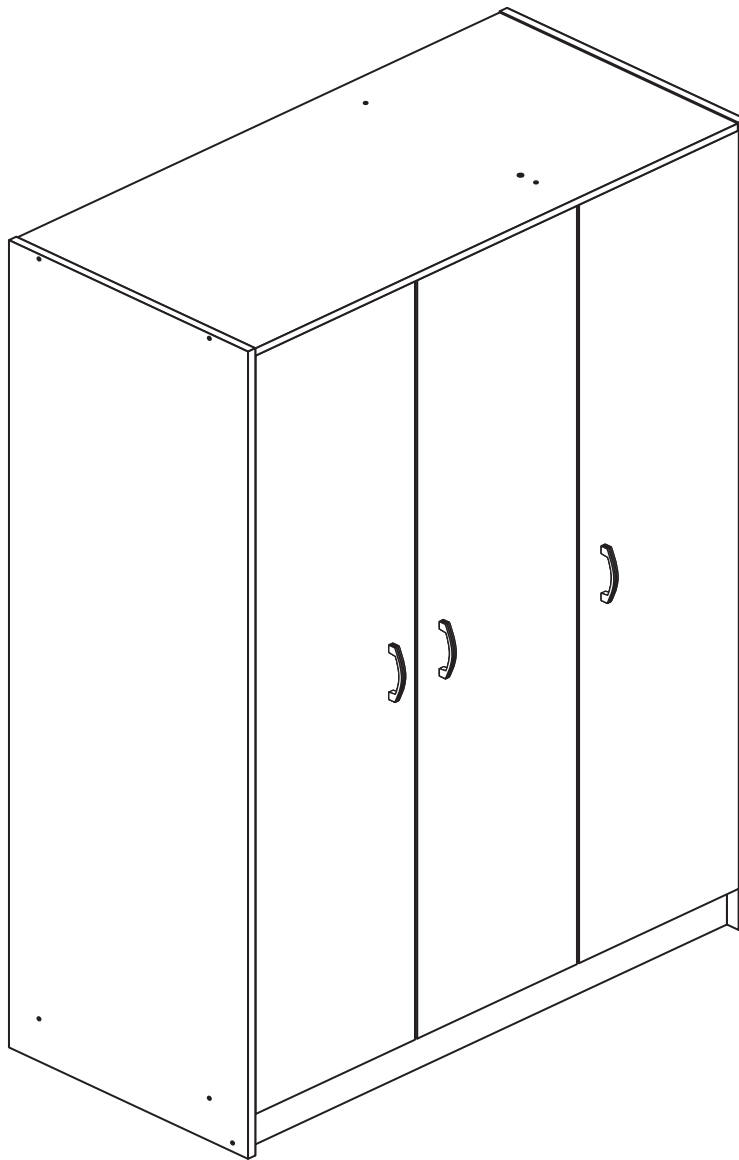
Assembly Instructions - Please keep for future reference

709/2523

709/2516

709/0848

355/3743



Dimensions

Width - 103cm

Depth - 50cm

Height - 167cm



**MADE IN
BRITAIN**

Important - Please read these instructions fully before starting assembly

If you need help or have damaged or missing parts, call the **Customer Helpline: 08456 400800**



Safety and Care Advice

Important - Please read these instructions fully before starting assembly

- **Warning:** This unit weighs approximately 58kgs. Please lift with care.
- Check you have all the components and tools listed on pages 1, 2 and 3.
- Remove all fittings from the plastic bags and separate them into their groups.
- Keep children and animals away from the work area, small parts could choke if swallowed.
- Parts of the assembly will be easier with 2 people.

- Make sure you have enough space to layout the parts before starting.
- Do not stand or put weight on the product, this could cause damage.
- Assemble the item as close to its final position (in the same room) as possible.
- Assemble on a soft level surface to avoid damaging the unit or your floor (use opened out unit carton).



• We do not recommend the use of power drill/drivers **for inserting screws**, as this could damage the unit. Only use hand screwdrivers.

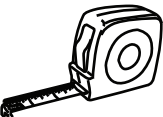


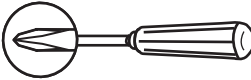

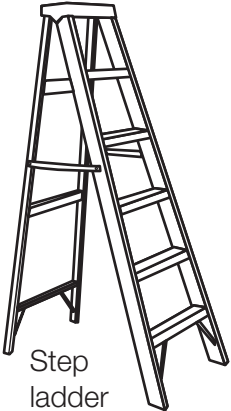
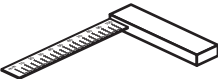


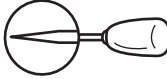
• **Safety note:** It is recommended that this unit is secured to a wall using the bracket supplied.

• Dispose of all packaging carefully and responsibly.

Care and maintenance

- Only clean using a damp cloth and mild detergent, do not use bleach or abrasive cleaners.
- From time to time check that there are no loose screws on this unit.
- This product should not be discarded with household waste. Take to your local authority waste disposal centre.

Tools required

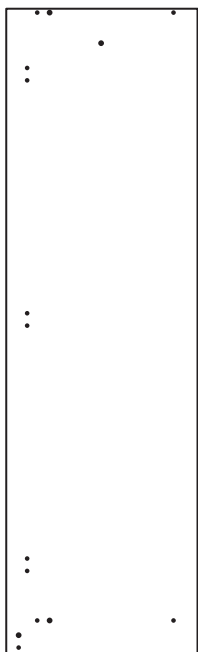
 Rule	 Spirit level	 Eye protection (when using a hammer or drill)	 Cross-head screwdriver	 Electric drill (only use when drilling into walls)	 Step ladder
 Square	 Scissors	 Hammer	 Bradawl		

Note: If required the next page can be cut out and used as reference throughout the assembly. Keep this page with these instructions for future reference.

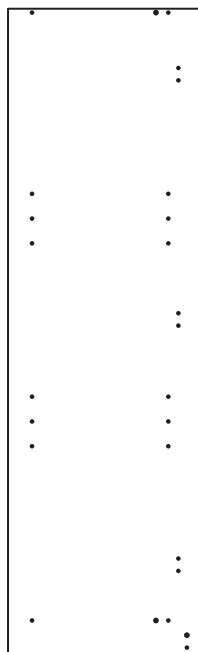
Components - Panels

If you have damaged or missing components, call the **Customer Helpline: 08456 400800** quoting the reference numbers below

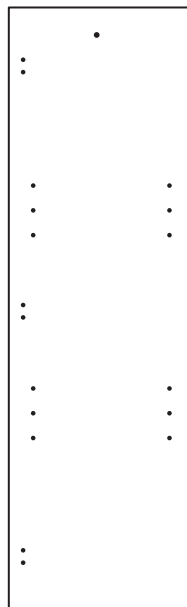
Please check you have all the panels listed below



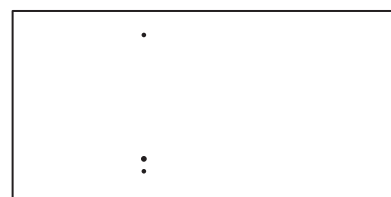
1 Left Side (D2021A)
(1668 x 494mm)



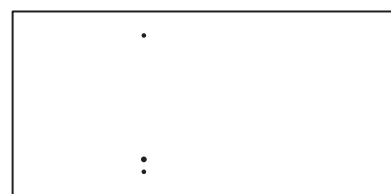
2 Right Side (D2022A)
(1668 x 494mm)



3 Upright (D2023A)
(1555 x 476mm)



4 Top (D2020A)
(999 x 492mm)



5 Base (D2024A)
(999 x 478mm)



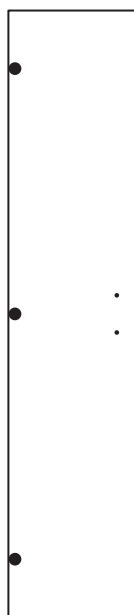
6 Plinth (D2025A)
(999 x 80mm)



7 Hanging Rail (FHR644)
(644mm long)



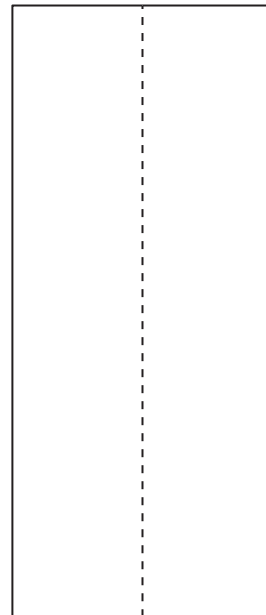
8 Shelf (D2027A)
(332 x 476mm) x 2



9 Door (D2026A)
(1567 x 330mm) x 3



10 Back (X949)
(1580 x 350mm)



11 Foldy Back (X948)
(1580 x 672mm)

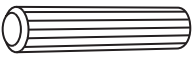
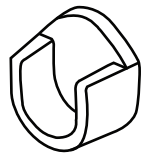
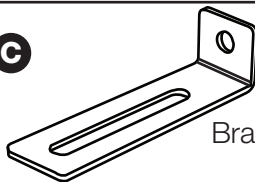




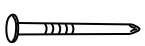
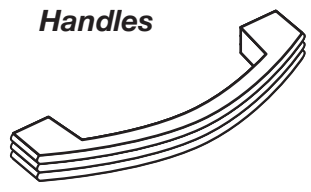
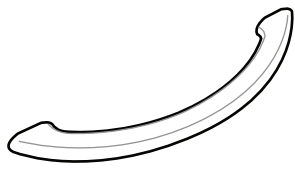
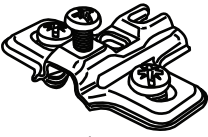
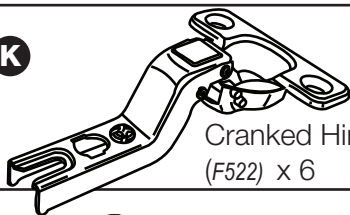
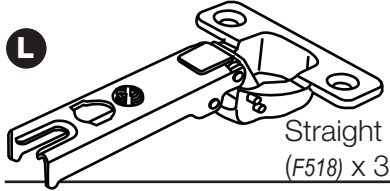



Components - Fittings

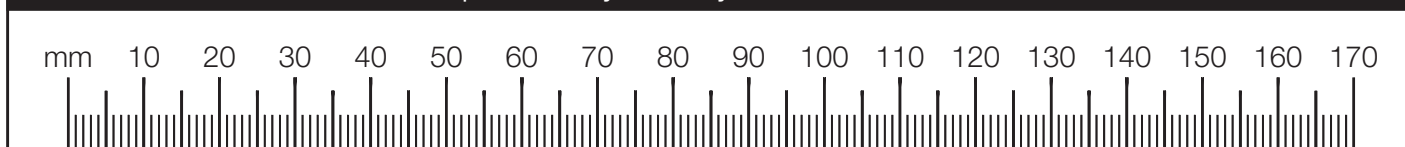
If you have damaged or missing components, call the **Customer Helpline: 08456 400800** quoting the reference numbers below

Please check you have all the fittings listed below

Note: The quantities below are the correct amount to complete the assembly. In some cases more fittings may be supplied than are required.

<p>A </p> <p>Wooden dowel (F22) x 8</p>	<p>B </p> <p>Rail holder (F1014) x 2</p>	<p>C </p> <p>Bracket (F327) x 1</p>
<p>D </p> <p>40mm Screw (F910) x 14</p>	<p>E </p> <p>25mm Screw (F50) x 6</p>	<p>F </p> <p>13mm Screw (F79) x 10</p>
<p>G </p> <p>13mm Screw (F63) x 20</p>	<p>H </p> <p>Nail (F51) x 40</p>	<p>I White units are supplied with either Blue or Pink Handles</p>  <p>Blue/Pink Handle (F215) x 3</p> <hr/> <p>Beech units are supplied with Silver Handles</p>  <p>Silver Handle (F1091) x 3</p>
<p>J </p> <p>Hinge plate (F523) x 9</p>	<p>K </p> <p>Cranked Hinge (F522) x 6</p>	
<p>L </p> <p>Straight Hinge (F518) x 3</p>	<p>M </p> <p>Shelf support (F121) x 8</p>	

Ruler - Use this ruler to help correctly identify the screws



Assembly Instructions

If you have damaged or missing components, call the
Customer Helpline: 08456 400800 quoting the reference
numbers below

Step 1

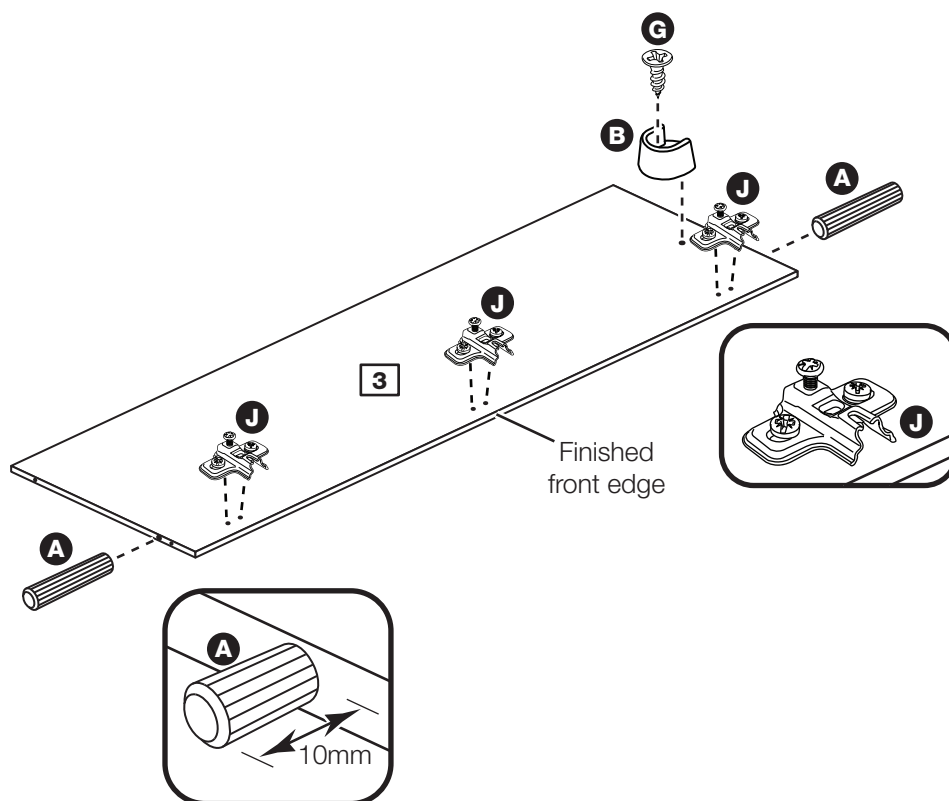
Prepare the upright

Tap 2 wooden dowels **A** into the upright **3**.

Note: Wooden dowels **must not** stick out from the edge by more than 10mm or they may damage other panels.

Push a rail holder **B** into the upright **3**. Make sure that it is fitted straight, in line with the panel edges and then secure with screw **G**.

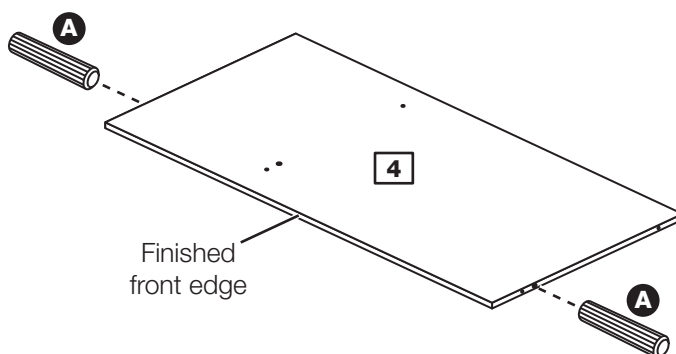
Fit 3 hinge plates **J** onto the upright **3**, making sure that the slot is facing towards the finished front edge.



Step 2

Prepare the top

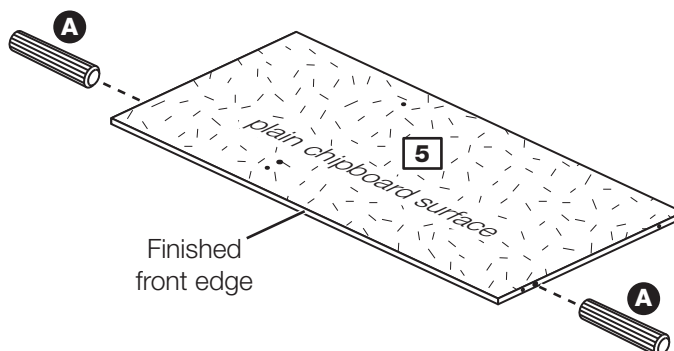
Tap 2 wooden dowels **A** into the top **4**.



Step 3

Prepare the base

Tap 2 wooden dowels **A** into the base **5**.

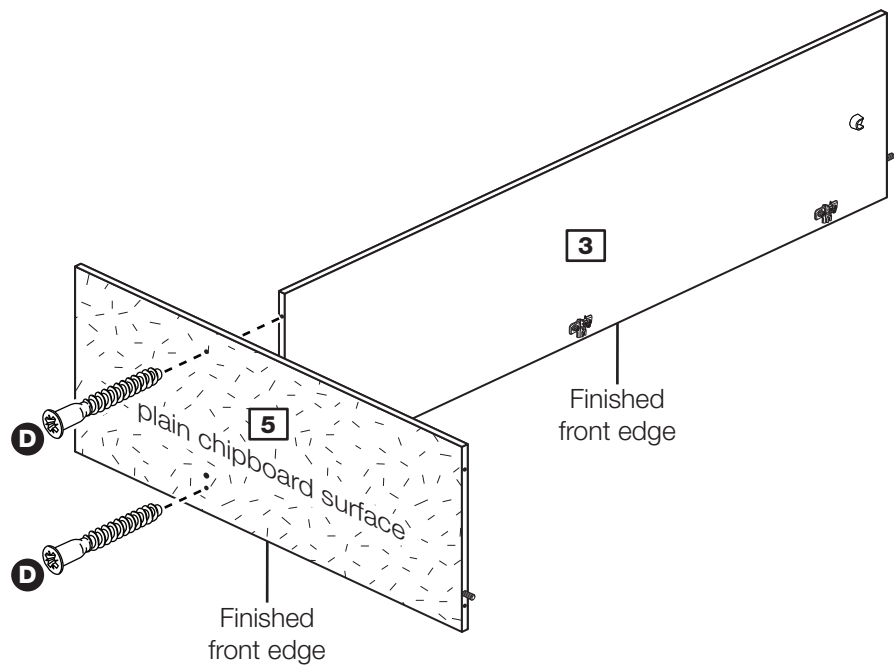


Assembly Instructions

Step 4

Join the base and upright

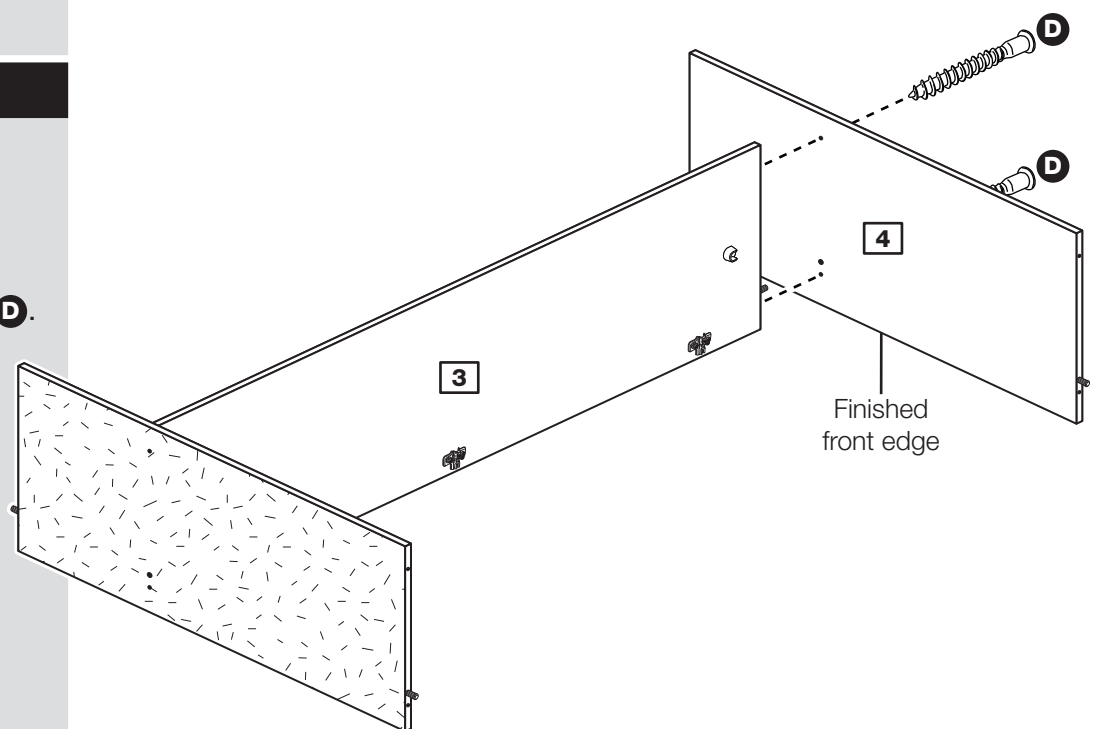
Push the base **5** onto the upright **3** and secure with 2 screws **D**.



Step 5

Fit the top

Push the top **4** onto the upright **3** and secure with 2 screws **D**.



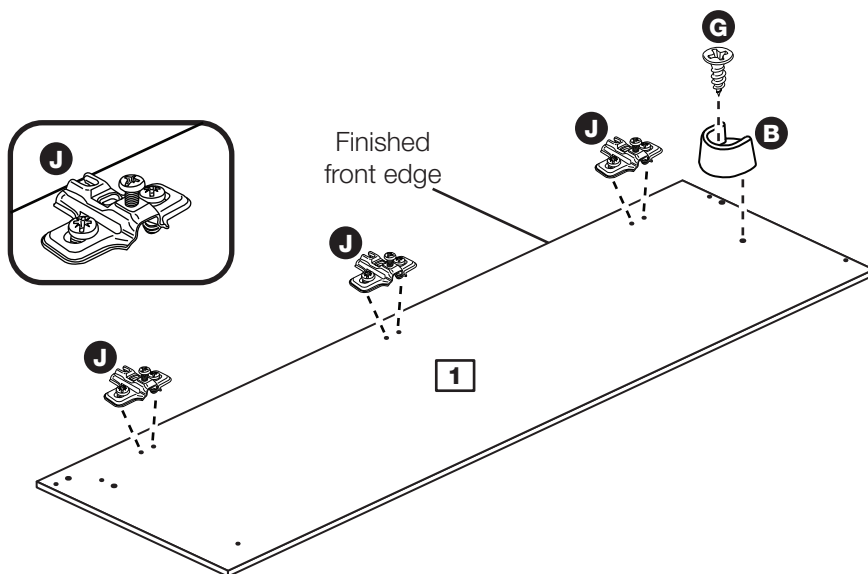
Assembly Instructions

Step 6

Prepare the left side

Push a rail holder **B** into the left side **1**. Make sure that it is fitted straight, in line with the panel edges and then secure with screw **G**.

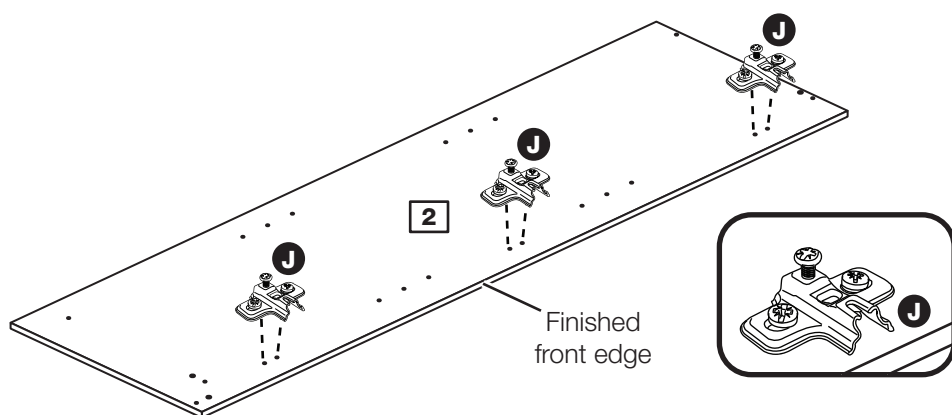
Fit 3 hinge plates **J** onto the left side **1**, making sure that the slot is facing towards the finished front edge.



Step 7

Prepare the right side

Fit 3 hinge plates **J** onto the right side **2**, making sure that the slot is facing towards the finished front edge.

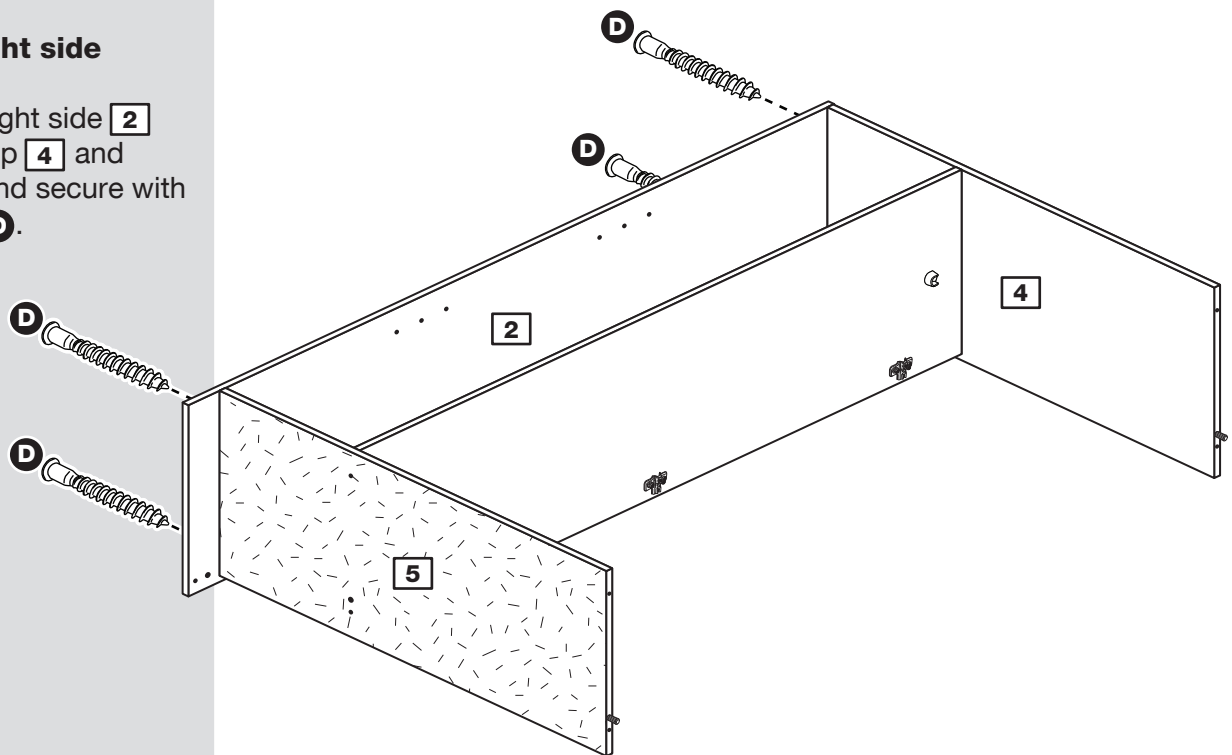


Assembly Instructions

Step 8

Fit the right side

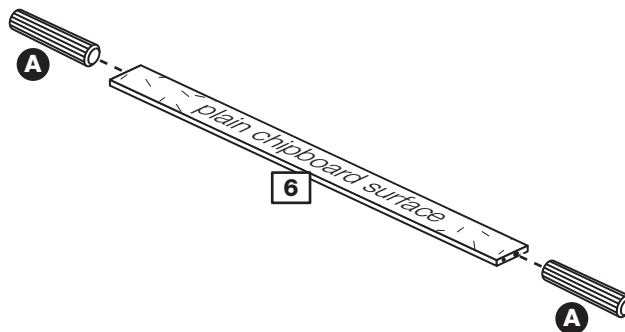
Push the right side **2** onto the top **4** and base **5** and secure with 4 screws **D**.



Step 9

Prepare the plinth

Tap 2 wooden dowels **A** into the plinth **6**.

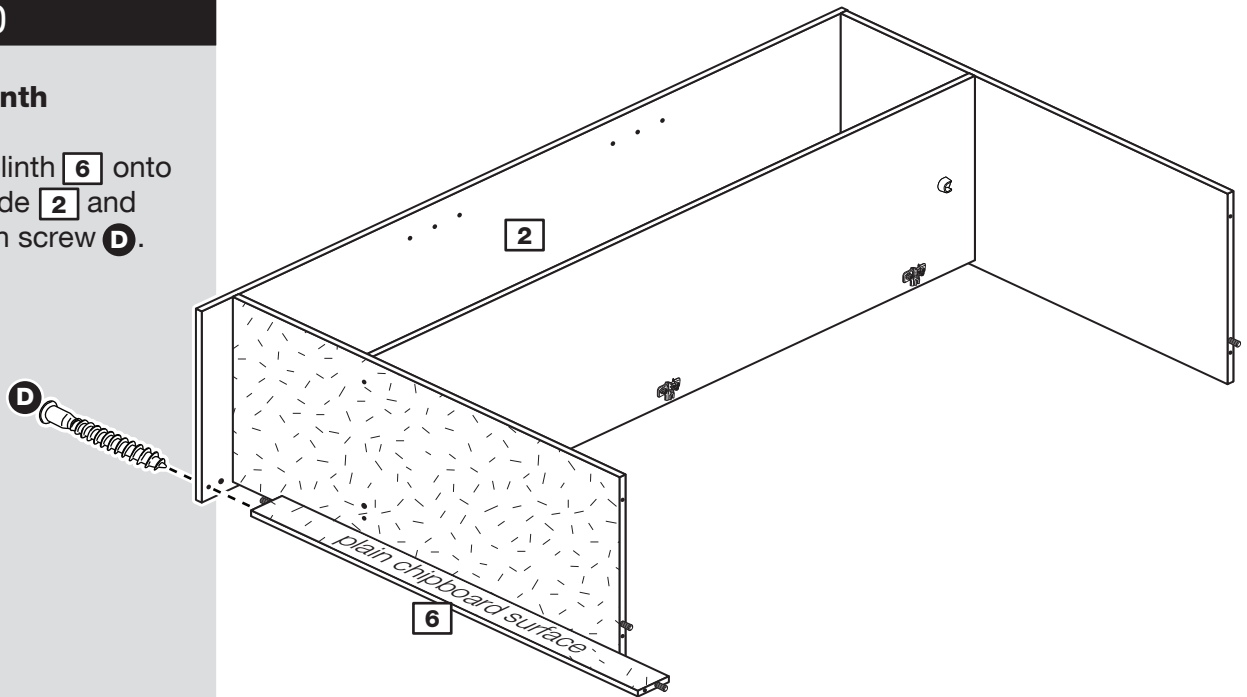


Assembly Instructions

Step 10

Fit the plinth

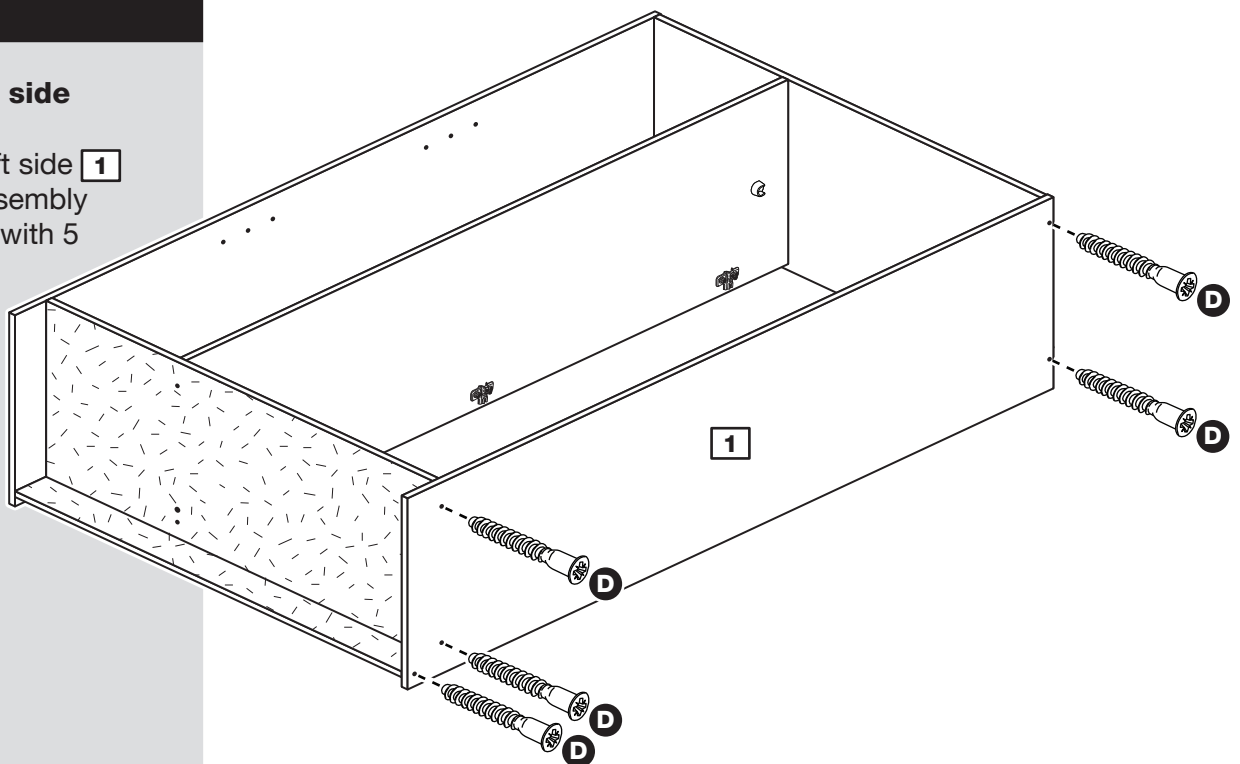
Push the plinth **6** onto the right side **2** and secure with screw **D**.



Step 11

Fit the left side

Push the left side **1** onto the assembly and secure with 5 screws **D**.



Assembly Instructions

Step 12

Fit the back panels

a: Square up the unit by making sure that measurement **x to x** equals **y to y**.

b: Place the back **10** and foldy back **11**, unit colour facing down, onto the unit as shown. Make sure that the 2 backs are pushed up tight against each other and that they meet in the centre of the upright **3** panel's edge.

Nail **H** around the outside edges of the 2 backs.

Note: Do not nail where the 2 backs meet. Nails should be spaced about 150mm apart.

c: Using 9 screws **F**, screw down between the 2 backs and into the upright **3** panel's back edge.

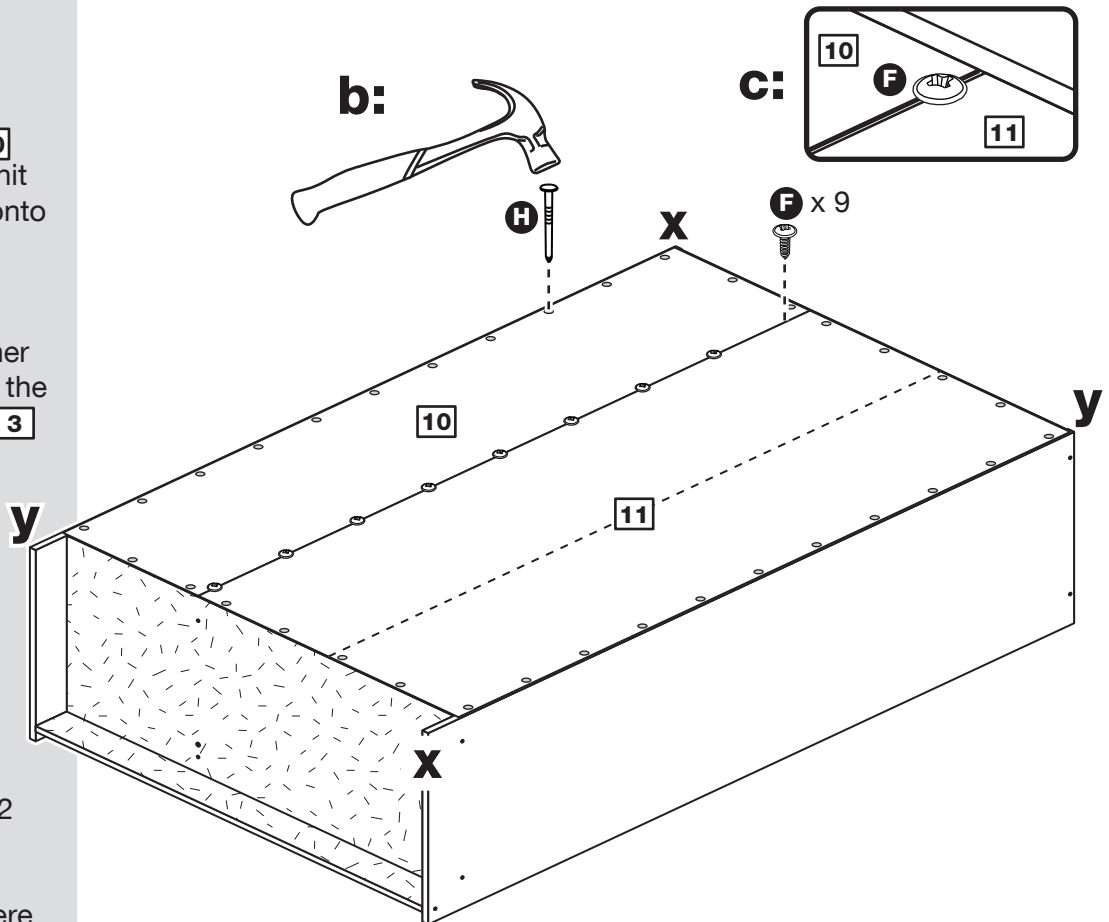
Note: You will need to keep 1 screw **F** to use in the final step.

Stand the unit up for the next step.



Warning: The unit is heavy. Lift with care.

a: The measurement from top corner X to bottom corner X must be equal to the measurement from top corner Y to bottom corner Y

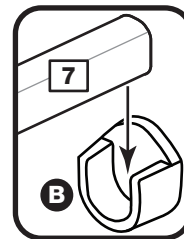
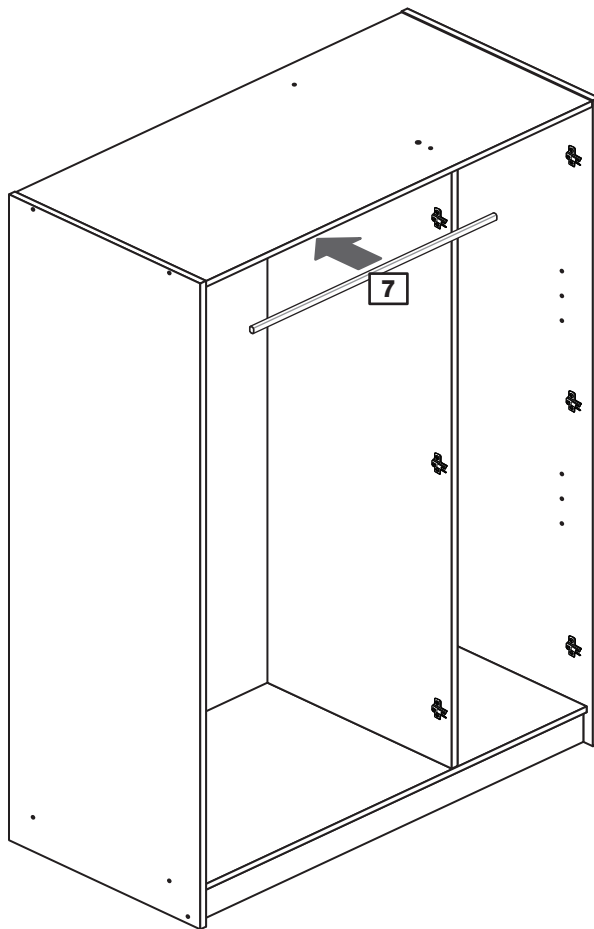


Assembly Instructions

Step 13

Fit the hanging rail

Push the hanging rail **7** into the rail holders **B** fitted to the right side **2** and upright **3**.

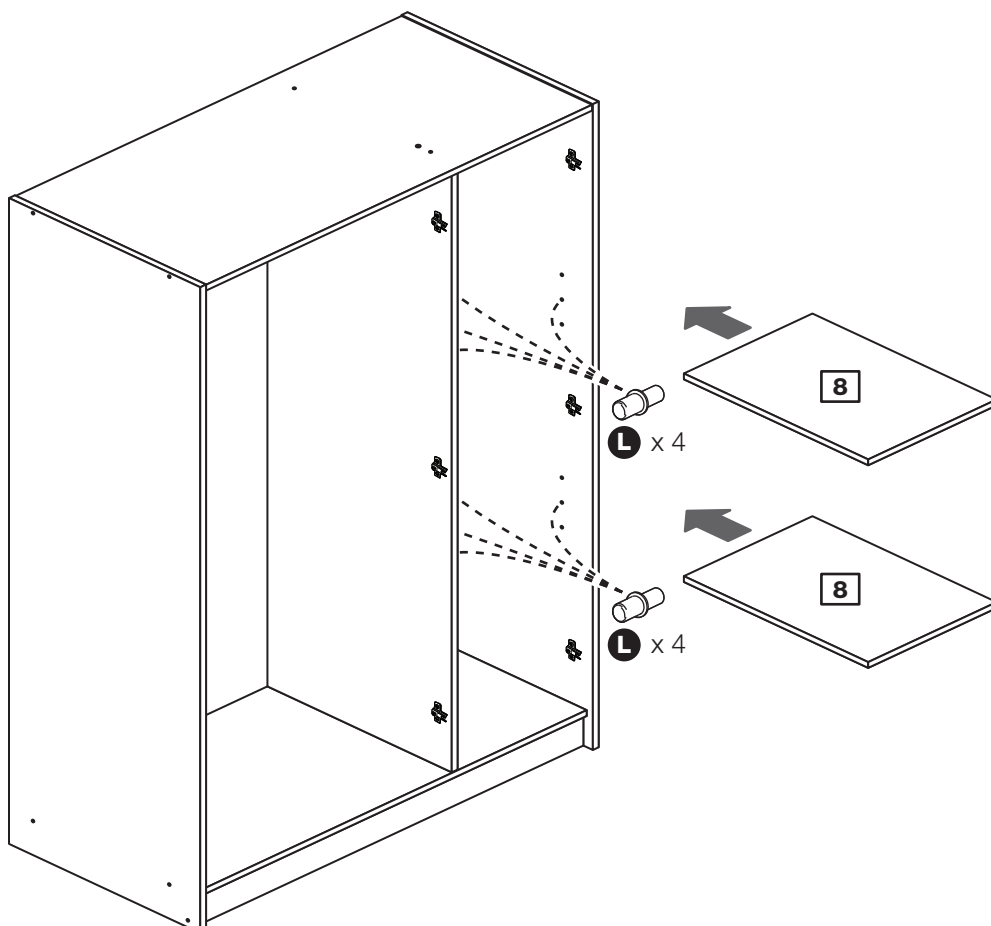


Step 14

Fit the shelves

For each of the 2 shelves **8**, insert 4 shelf studs **L** at the required height.

Lower the 2 shelves **8** down onto the shelf studs **L**.



Assembly Instructions

Step 15

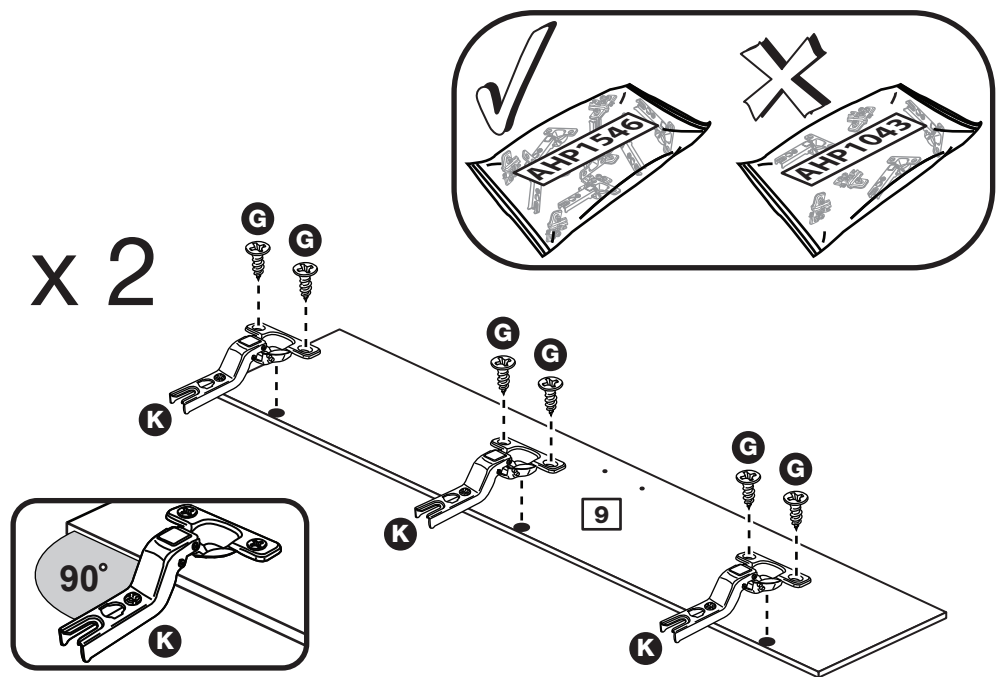
Prepare the 2 outer doors

Important: The 6 hinges used in this step are in the bag marked as **AHP1546**.

Push fit 3 cranked hinges **K** into 2 of the doors **9**.

Secure each hinge with 2 screws **G**.

Note: Before securing with the screws, make sure that the hinges are positioned at 90 degrees with the edge of the door.



Step 16

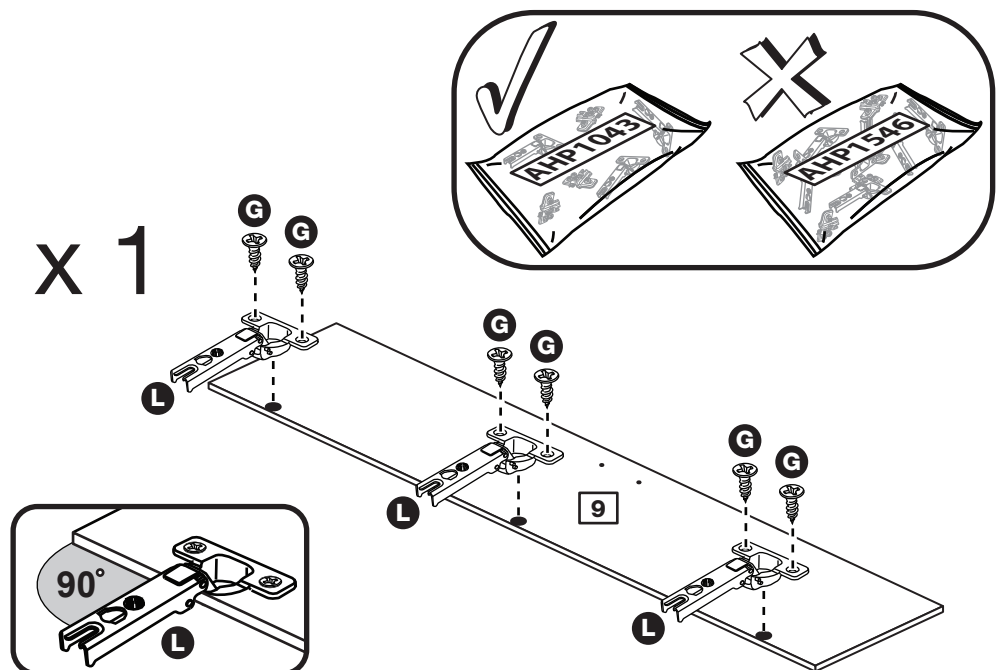
Prepare the centre door

Important: The 3 hinges used in this step are in the bag marked as **AHP1043**.

Push fit 3 straight hinges **L** into 1 of the doors **9**.

Secure each hinge with 2 screws **G**.

Note: Before securing with the screws, make sure that the hinges are positioned at 90 degrees with the edge of the door.



Assembly Instructions

Step 17

Fit the 2 outer doors and their handles

2 people are needed here

Note: The easiest way to attach each outer door **9** is to fit the top hinge first, then align and fit the other hinges.

a: Push the hinge **K** onto the front part of the hinge plate **J**.

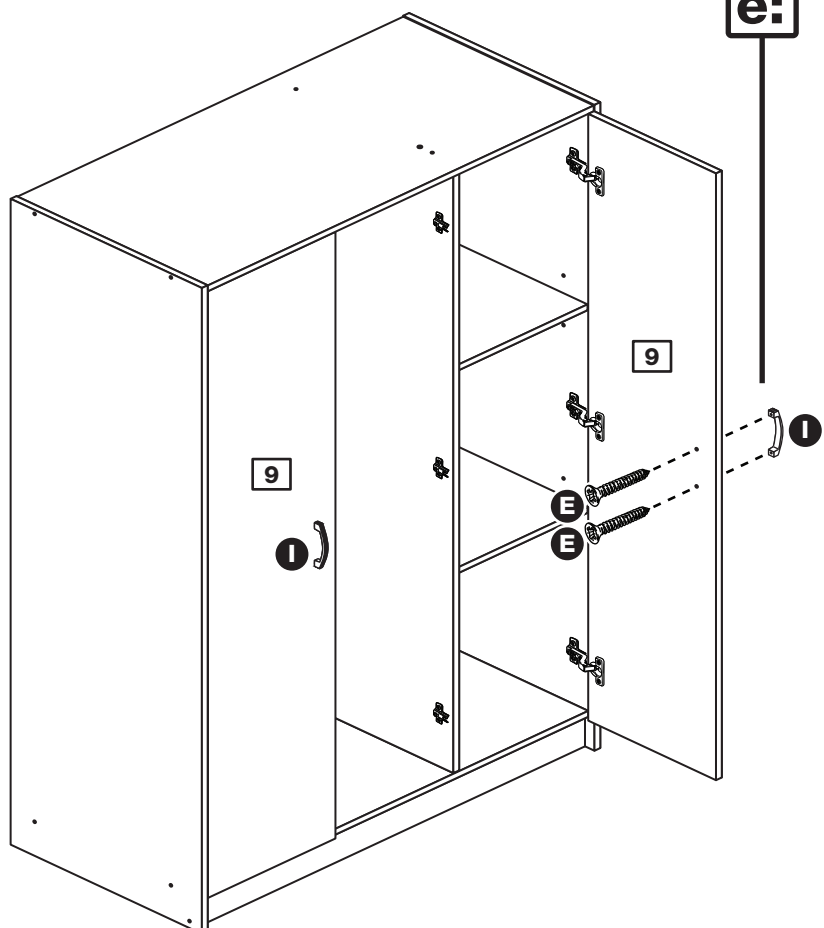
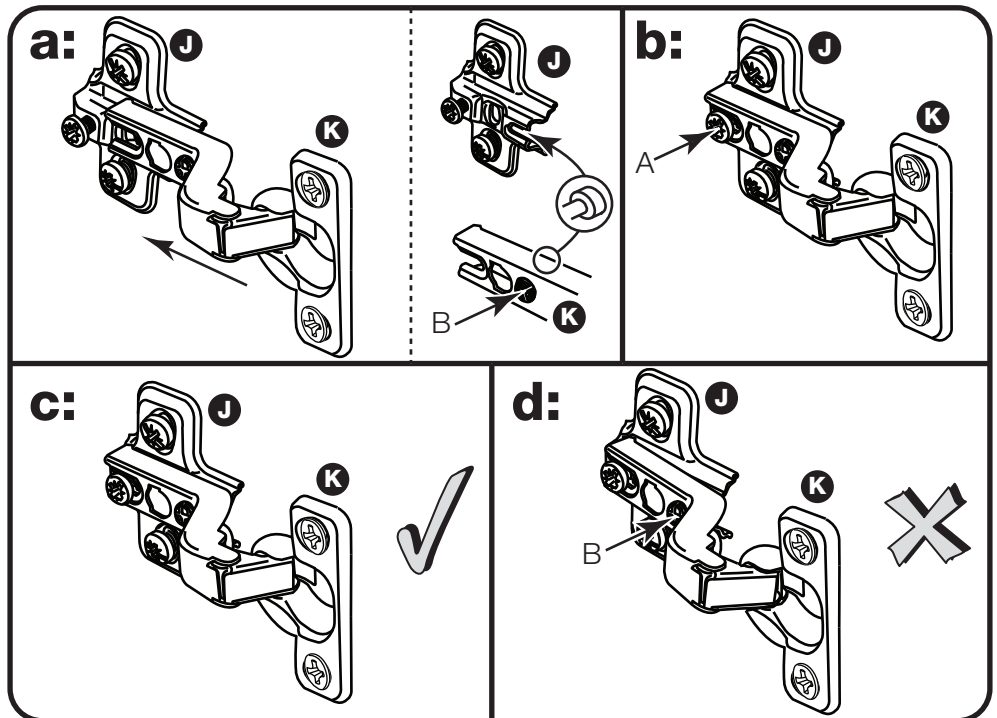
b: Keep the hinge **K** FLAT against the hinge plate **J** as you slide it across as far as it will go. Tighten screw **A**.

c: The hinge **K** must be flat against the hinge plate **J** prior to any adjustment.

d: The hinge **K** must NOT be AT AN ANGLE to the hinge plate **J** when assembled. This would indicate that the recess at the bottom of screw **B** had not located in the slot in the hinge plate and the hinge would not be secure. Remove the hinge from the hinge plate and then re-assemble being careful to follow instructions a-c.

e: Attach a handle **l** to each of the outer doors **9** using 2 screws **E**.

Note: Do not overtighten screw **E**.



Assembly Instructions

Step 18

Fit the centre door and its handle

Note: The easiest way to attach the centre door **9** is to fit the top hinge first, then align and fit the other hinges.

a: Push the hinge **L** onto the front part of the hinge plate **J**. The recess at the bottom of screw B goes into the slot in the hinge plate.

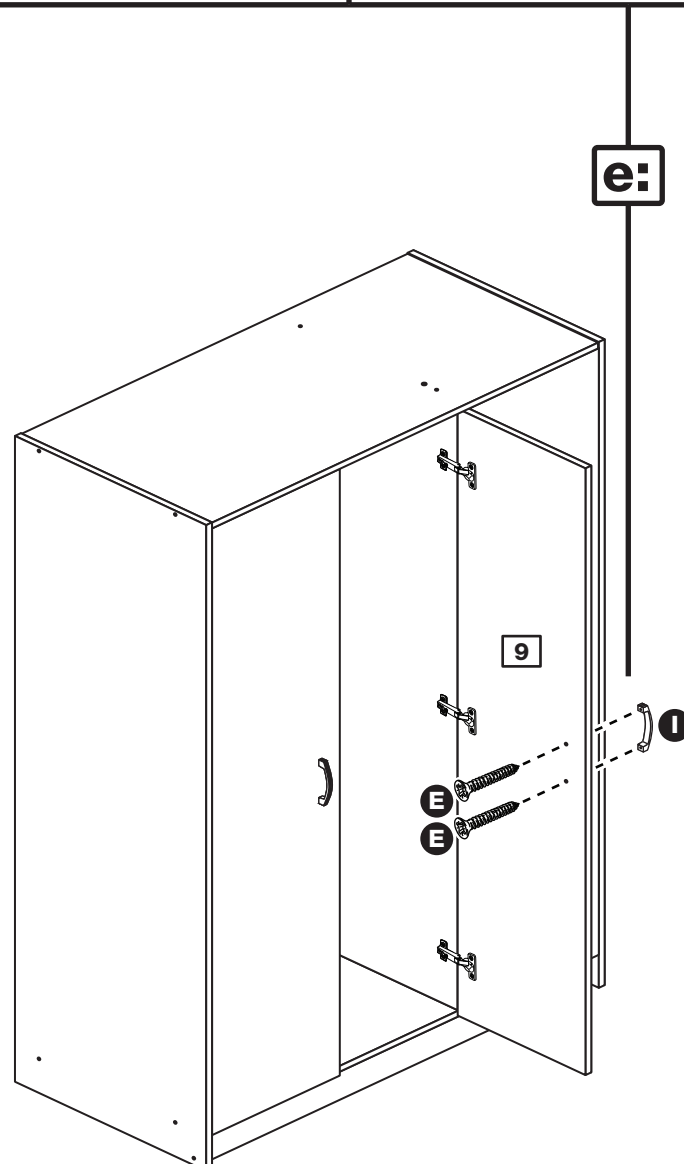
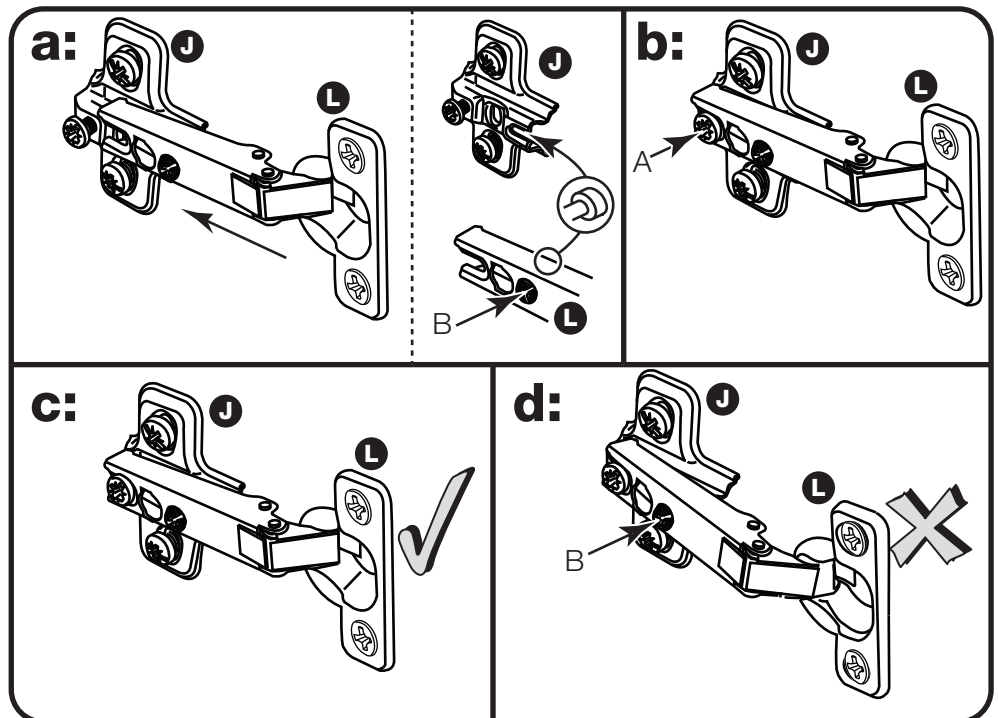
b: Keep the hinge **L** FLAT against the hinge plate **J** as you slide it across as far as it will go. Tighten screw A.

c: The hinge **L** must be flat against the hinge plate **J** prior to any adjustment.

d: The hinge **L** must NOT be AT AN ANGLE to the hinge plate **J** when assembled. This would indicate that the recess at the bottom of screw B had not located in the slot in the hinge plate and the hinge would not be secure. Remove the hinge from the hinge plate and then re-assemble being careful to follow instructions a-c.

e: Attach a handle **I** to the centre door **9** using 2 screws **E**.

Note: Do not overtighten screw **E**.



Assembly Instructions

Step 19

Adjust the doors if needed

a: Before adjusting the doors, use a spirit level to check the base (or top) of the unit is level, front-to-back and side-to-side in the 3 positions shown. Use suitable packing pieces (not supplied) to make the unit level BEFORE making any adjustment to the hinges, as shown.

b: Height adjustment.

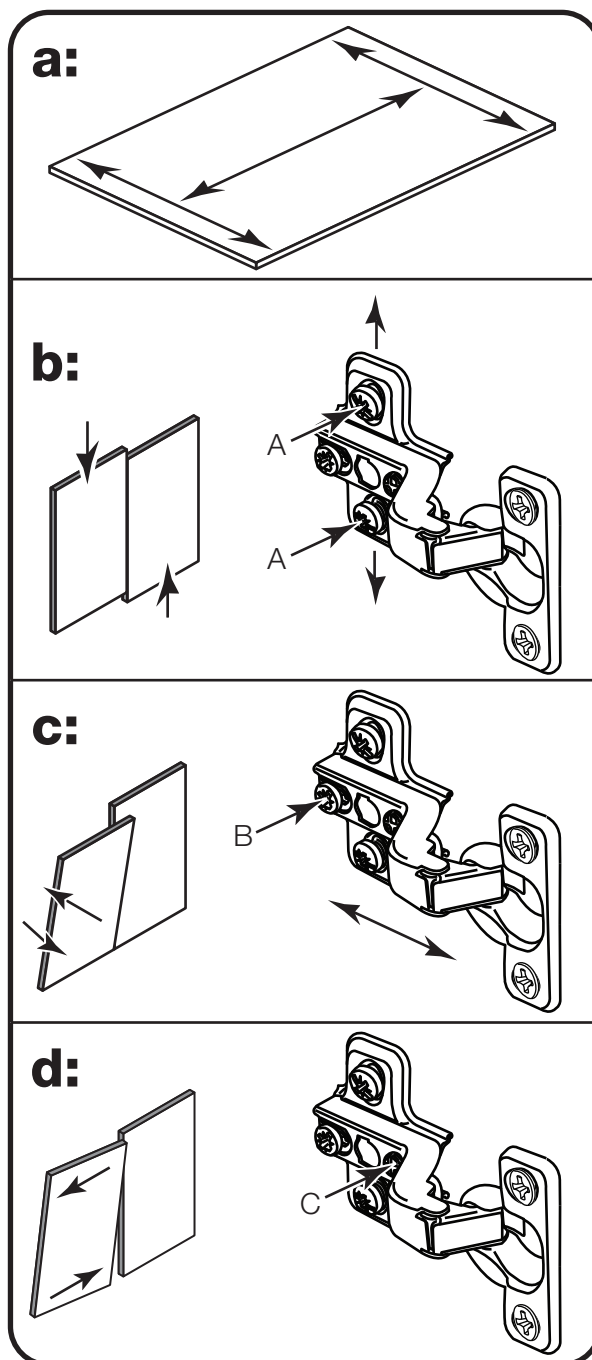
Loosen screws A on hinge plates and move door up or down as required. Retighten screw A.

c: Forward and Back adjustment.

Loosen screw B on hinge plate and move door in or out as required. Retighten screw B.

d: Sideways adjustment.

To move door 'out' loosen screw C. To move door 'in' tighten screw C.



This shows the hinge and plate that is fitted to the outer doors.

The ones fitted to the centre door are adjusted in the same way.

Assembly Instructions

Step 20

Fit the bracket

To prevent possible overbalancing, we recommend that this unit is secured to a suitable wall by use of the bracket **C** fitted to the top **4** of the unit.

Fixings are not supplied, as they will need to suit the wall type and the length of screw will depend on the distance from the back of the unit to the wall.

Fix the bracket **C** loosely onto the top of the unit using screw **F** and mark the wall for the wall fixing.

Swivel the bracket **C** away from the wall and drill a hole in the wall using a suitable drill bit and fit your wall fixing.

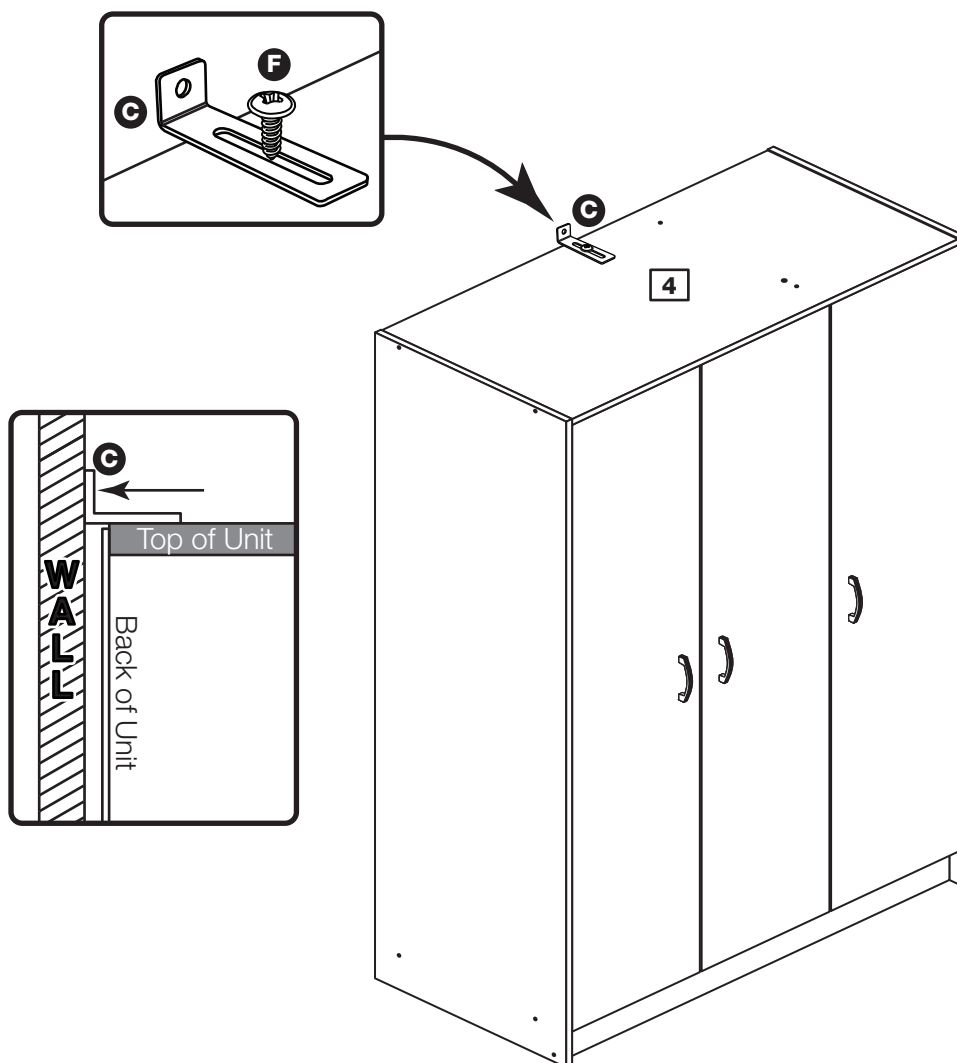
Swivel the bracket **C** back and fix the bracket to the wall, then tighten Screw **F**.

Note: Take care when drilling the wall that you do not drill into any pipes, wires etc. If in doubt, consult an expert.



Warning: The unit is heavy. Lift with care.

Assembly is complete



If you need help or have damaged or missing parts, call the Customer Helpline: 08456 400800 and quote the reference numbers on the component pages.

Argos Ltd, 489-499 Avebury Boulevard, Central Milton Keynes, MK9 2NW

Mix and Match - 3 Door Robe

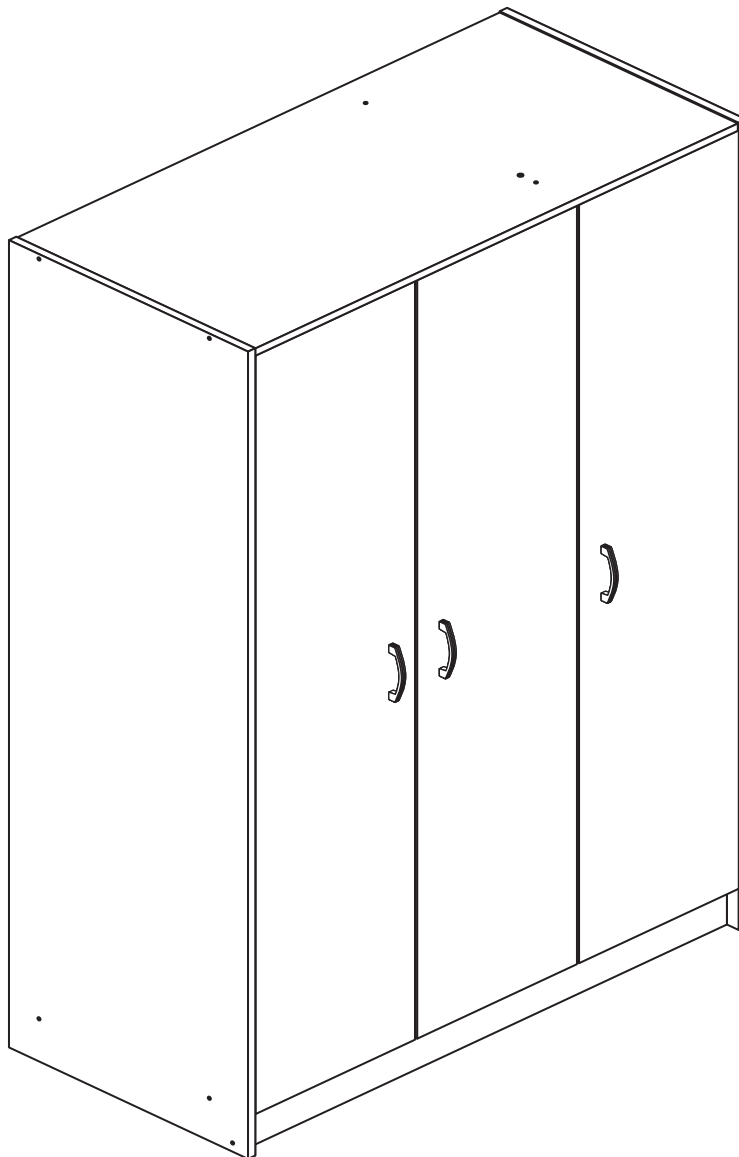
Assembly Instructions - Please keep for future reference

709/2523

709/2516

709/0848

355/3743



Dimensions

Width - 103cm

Depth - 50cm

Height - 167cm



**MADE IN
BRITAIN**

Important - Please read these instructions fully before starting assembly

If you need help or have damaged or missing parts, call the **Customer Helpline: 03456 400800**



Safety and Care Advice

Important - Please read these instructions fully before starting assembly

- **Warning:** This unit weighs approximately 58kgs. Please lift with care.
- Check you have all the components and tools listed on pages 1, 2 and 3.
- Remove all fittings from the plastic bags and separate them into their groups.
- Keep children and animals away from the work area, small parts could choke if swallowed.
- Parts of the assembly will be easier with 2 people.

- Make sure you have enough space to layout the parts before starting.
- Do not stand or put weight on the product, this could cause damage.
- Assemble the item as close to its final position (in the same room) as possible.
- Assemble on a soft level surface to avoid damaging the unit or your floor (use opened out unit carton).






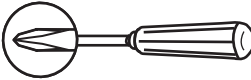

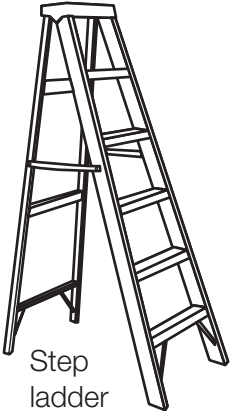
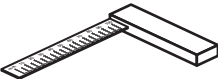


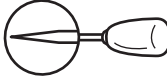
- We do not recommend the use of power drill/drivers **for inserting screws**, as this could damage the unit. Only use hand screwdrivers.

- **Safety note:** It is recommended that this unit is secured to a wall using the overbalance protector kit supplied or, an alternative fixing method of your choice.
- Dispose of all packaging carefully and responsibly.

Care and maintenance

- Only clean using a damp cloth and mild detergent, do not use bleach or abrasive cleaners.
- From time to time check that there are no loose screws on this unit.
- This product should not be discarded with household waste. Take to your local authority waste disposal centre.

Tools required

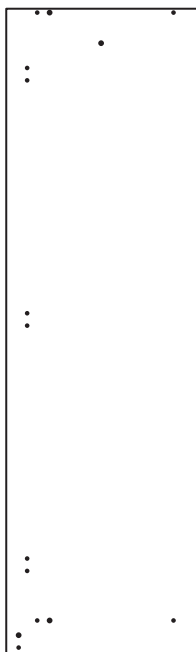
 Rule	 Spirit level	 Eye protection (when using a hammer or drill)	 Cross-head screwdriver	 Electric drill (only use when drilling into walls)	 Step ladder
 Square	 Scissors	 Hammer	 Bradawl		

Note: If required the next page can be cut out and used as reference throughout the assembly. Keep this page with these instructions for future reference.

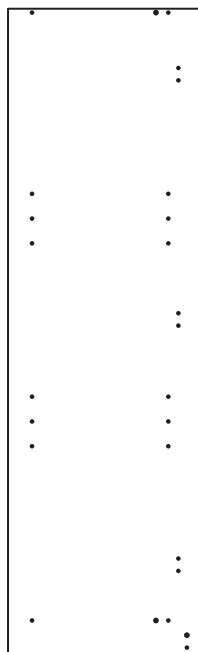
Components - Panels

If you have damaged or missing components, call the **Customer Helpline: 08456 400800** quoting the reference numbers below

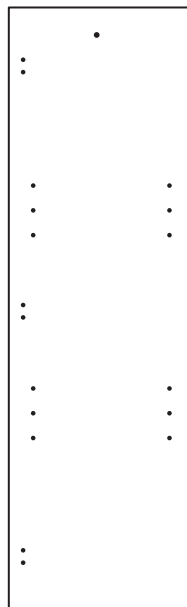
Please check you have all the panels listed below



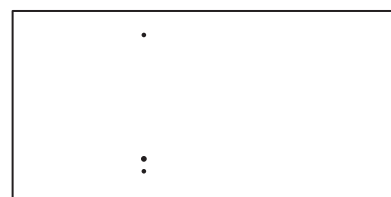
1 Left Side (D2021A)
(1668 x 494mm)



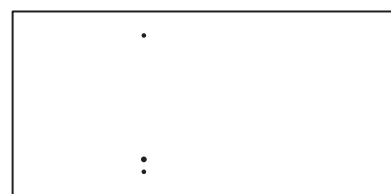
2 Right Side (D2022A)
(1668 x 494mm)



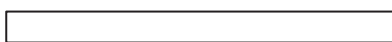
3 Upright (D2023A)
(1555 x 476mm)



4 Top (D2020A)
(999 x 492mm)



5 Base (D2024A)
(999 x 478mm)



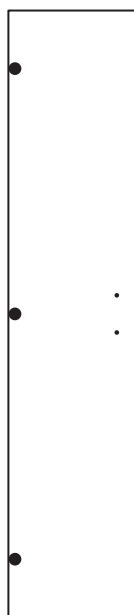
6 Plinth (D2025A)
(999 x 80mm)



7 Hanging Rail (FHR644)
(644mm long)



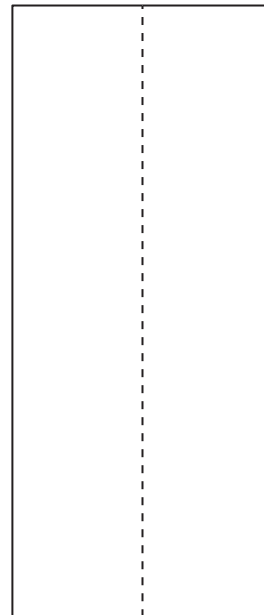
8 Shelf (D2027A)
(332 x 476mm) x 2



9 Door (D2026A)
(1567 x 330mm) x 3



10 Back (X949)
(1580 x 350mm)



11 Foldy Back (X948)
(1580 x 672mm)


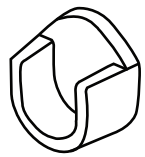
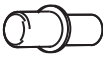




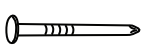
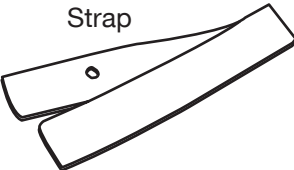

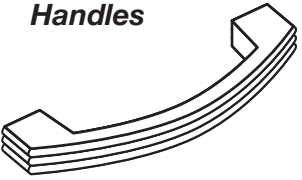
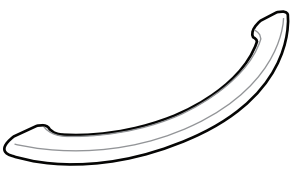



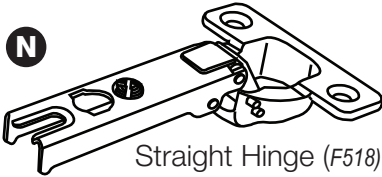


Components - Fittings

If you have damaged or missing components, call the **Customer Helpline: 08456 400800** quoting the reference numbers below

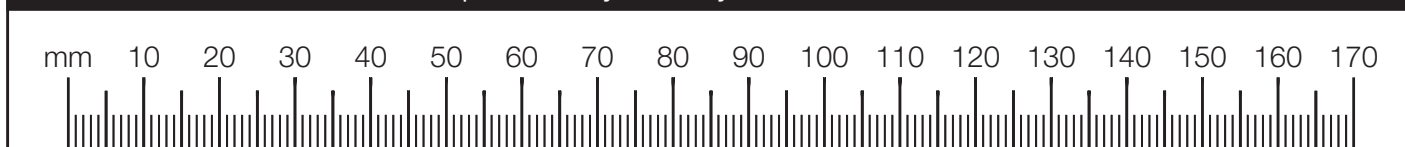
Please check you have all the fittings listed below

Note: The quantities below are the correct amount to complete the assembly. In some cases more fittings may be supplied than are required.

<p>A </p> <p>Wooden dowel (F22) x 8</p>	<p>B </p> <p>Rail holder (F1014) x 2</p>	<p>C </p> <p>Shelf support (F121) x 8</p>
<p>D </p> <p>40mm Screw (F910) x 14</p>	<p>E </p> <p>25mm Screw (F50) x 6</p>	<p>F </p> <p>13mm Screw (F79) x 9</p>
<p>G </p> <p>13mm Screw (F63) x 20</p>	<p>H </p> <p>Nail (F51) x 40</p>	<p>I </p> <p>Strap</p> <p></p> <p>Screw Washer x 2</p> <p>Overbalance protector kit (F269) x 1</p>
<p>J <i>White units are supplied with either Blue or Pink Handles</i></p> <p></p> <p>Blue/Pink Handle (F215) x 3</p>	<p><i>Beech units are supplied with Silver Handles</i></p> <p></p> <p>Silver Handle (F1091) x 3</p>	
<p>K </p> <p>Hinge plate (F523) x 6</p>	<p>L </p> <p>Cranked Hinge (F522) x 6</p>	<p>These 6 hinges and plates are in the bag labelled as ...1546</p>
<p>M </p> <p>Hinge plate (F523) x 3</p>	<p>N </p> <p>Straight Hinge (F518) x 3</p>	<p>These 3 hinges and plates are in the bag labelled as ...1043</p>

Important: Keep the Hinges and Hinge Plates in their bags until they are used. DO NOT mix them up.

Ruler - Use this ruler to help correctly identify the screws



Assembly Instructions

If you have damaged or missing components, call the
Customer Helpline: 08456 400800 quoting the reference
numbers below

Step 1

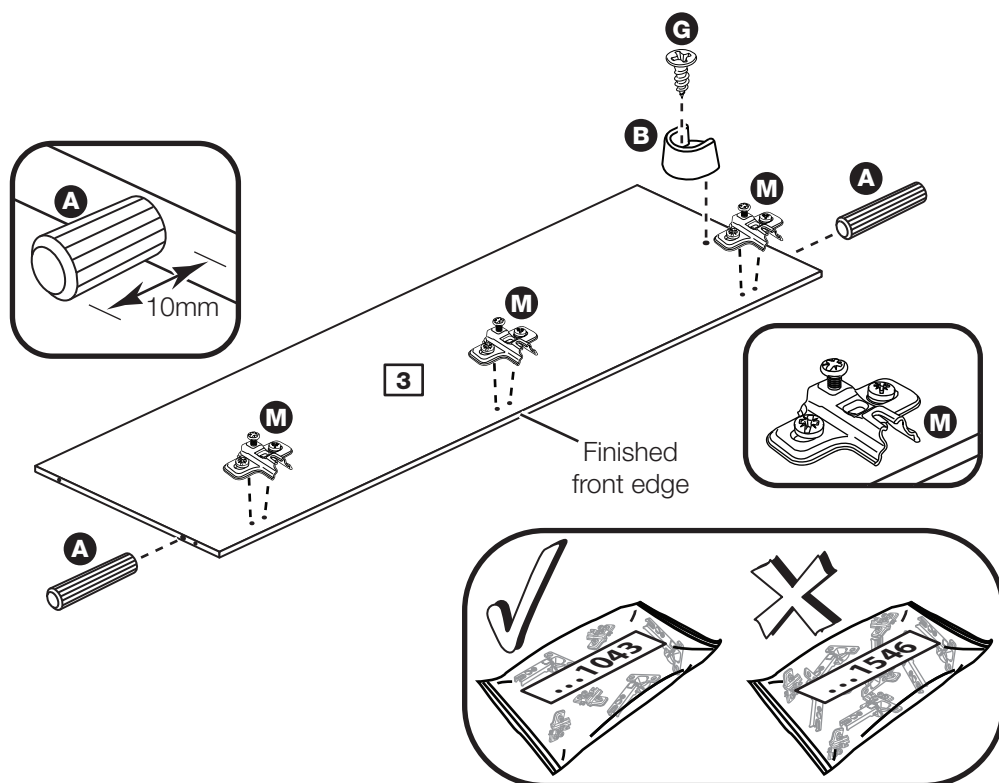
Prepare the upright

Tap 2 wooden dowels **A** into the upright **3**.

Note: Wooden dowels **must not** stick out from the edge by more than 10mm or they may damage other panels.

Push a rail holder **B** into the upright **3**. Make sure that it is fitted straight, in line with the panel edges and then secure with screw **G**.

Fit 3 hinge plates **M** onto the upright **3**, making sure that the slot is facing towards the finished front edge.

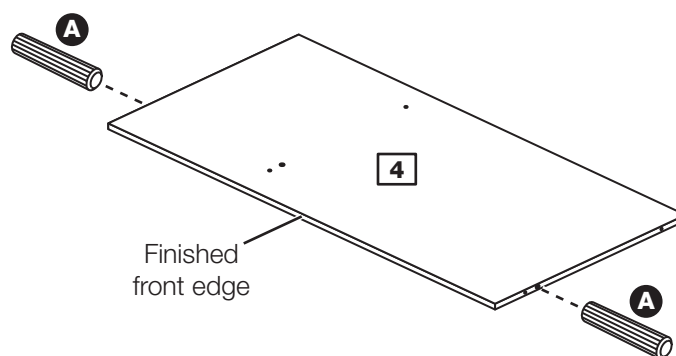


Important: The 3 hinge plates used in this step are in the bag marked as ... 1043.

Step 2

Prepare the top

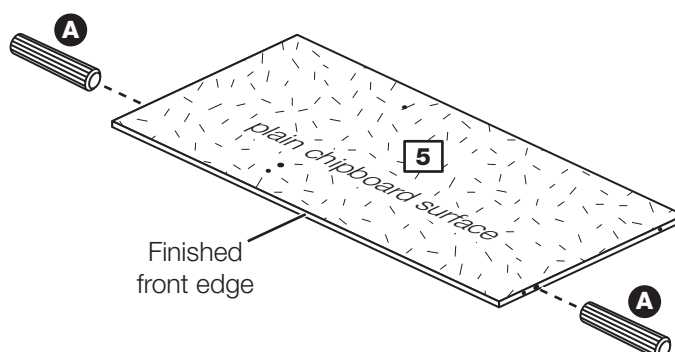
Tap 2 wooden dowels **A** into the top **4**.



Step 3

Prepare the base

Tap 2 wooden dowels **A** into the base **5**.

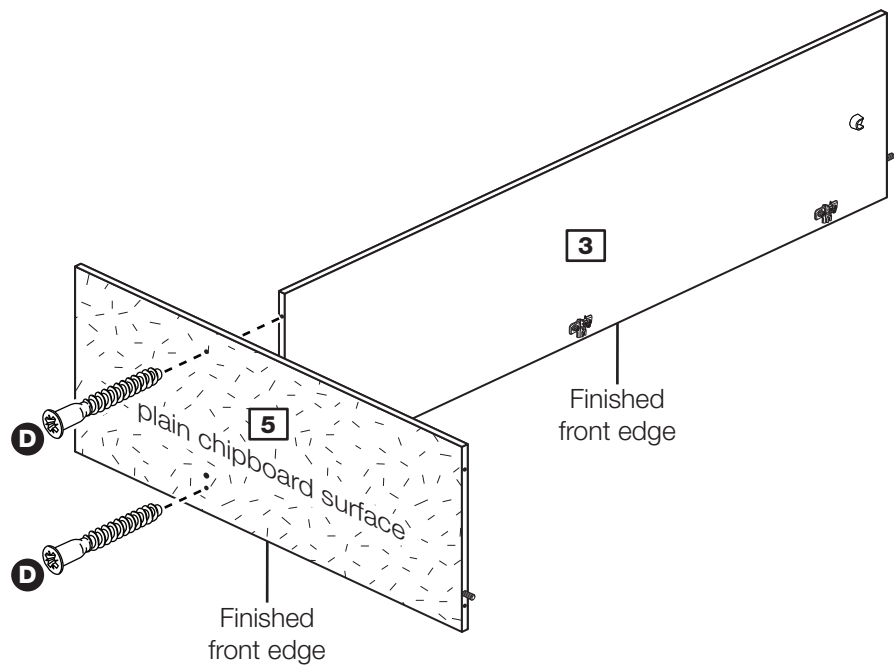


Assembly Instructions

Step 4

Join the base and upright

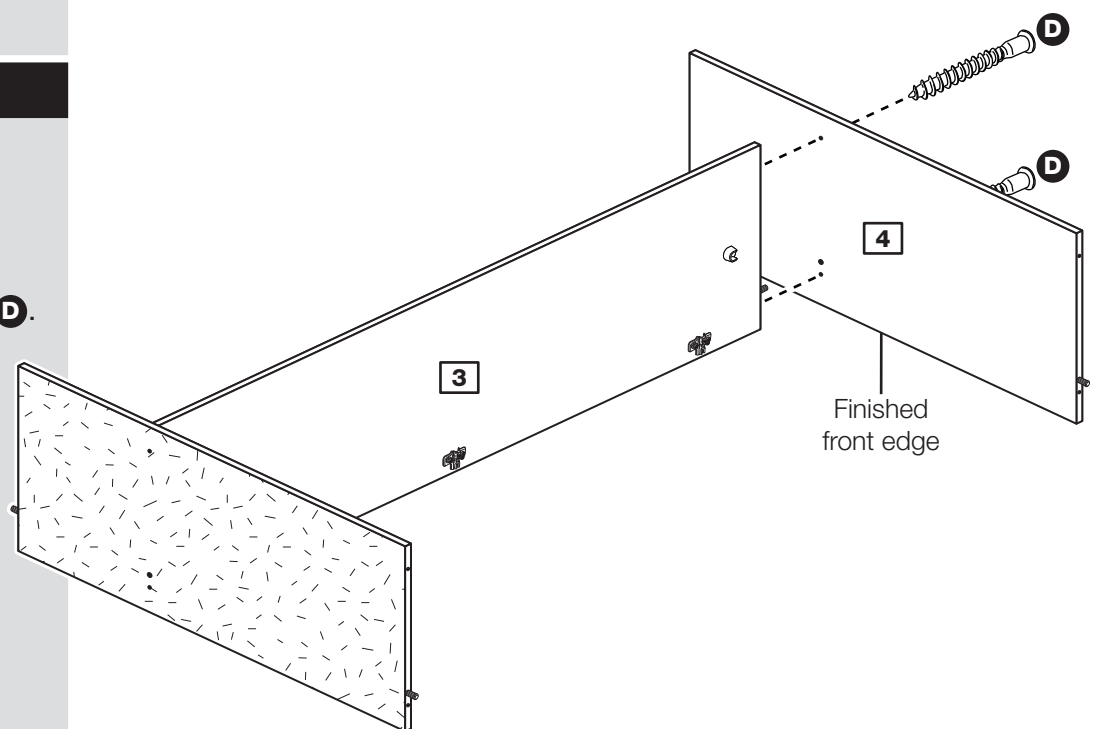
Push the base **5** onto the upright **3** and secure with 2 screws **D**.



Step 5

Fit the top

Push the top **4** onto the upright **3** and secure with 2 screws **D**.



Assembly Instructions

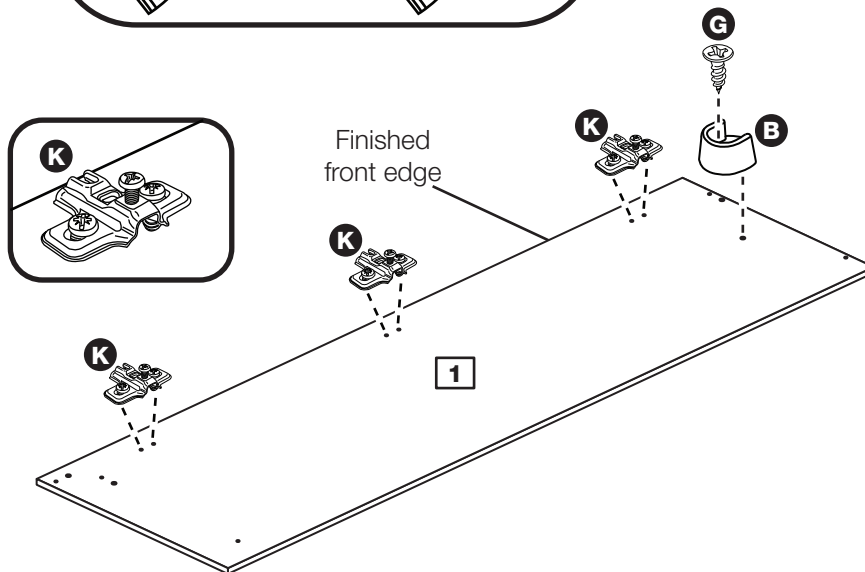
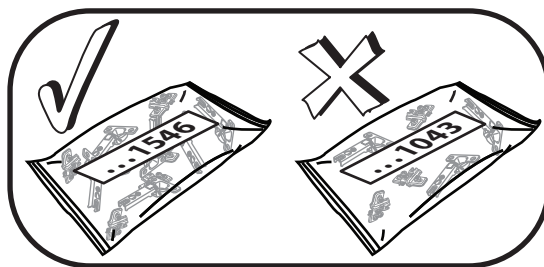
Step 6

Prepare the left side

Push a rail holder **B** into the left side **1**. Make sure that it is fitted straight, in line with the panel edges and then secure with screw **G**.

Fit 3 hinge plates **K** onto the left side **1**, making sure that the slot is facing towards the finished front edge.

Important: The 3 hinge plates used in this step are in the bag marked as . . . 1546.

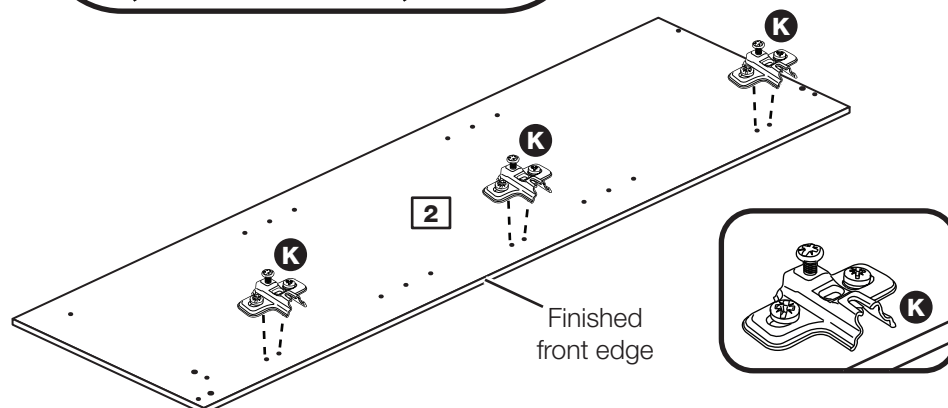
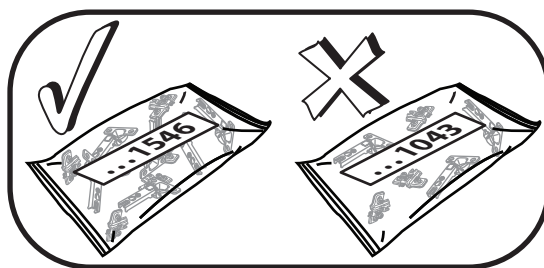


Step 7

Prepare the right side

Fit 3 hinge plates **K** onto the right side **2**, making sure that the slot is facing towards the finished front edge.

Important: The 3 hinge plates used in this step are in the bag marked as . . . 1546.

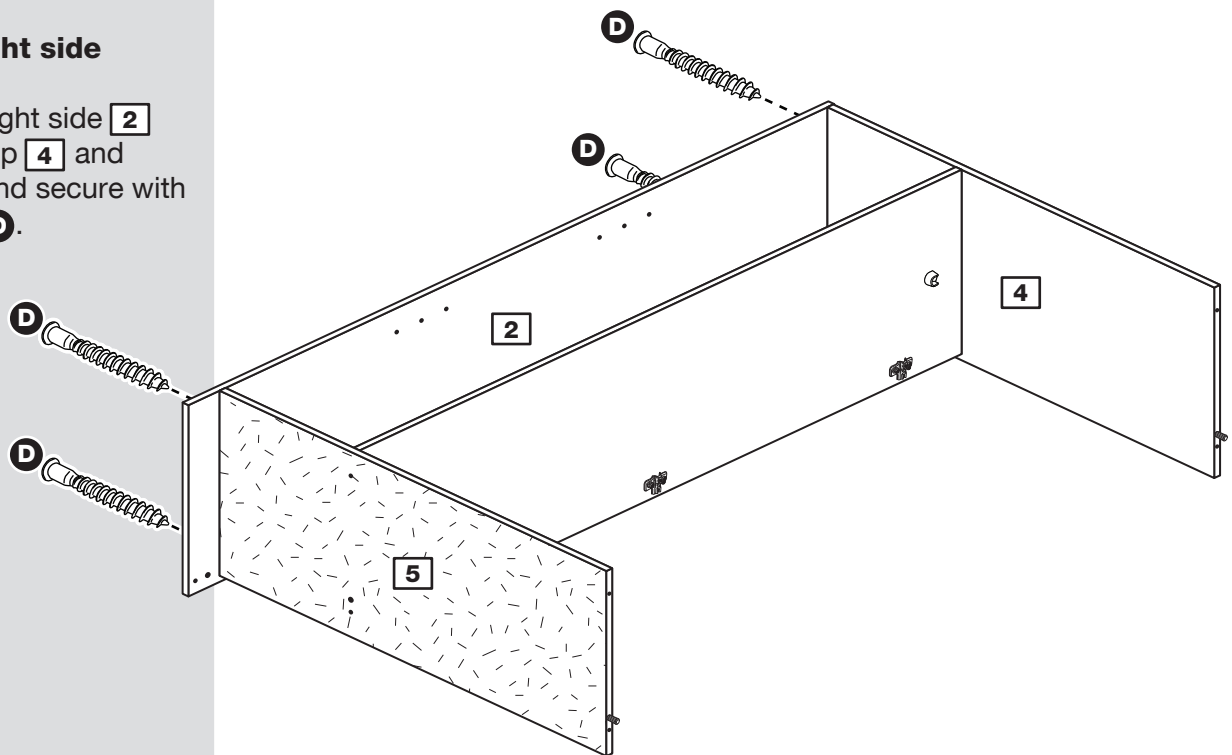


Assembly Instructions

Step 8

Fit the right side

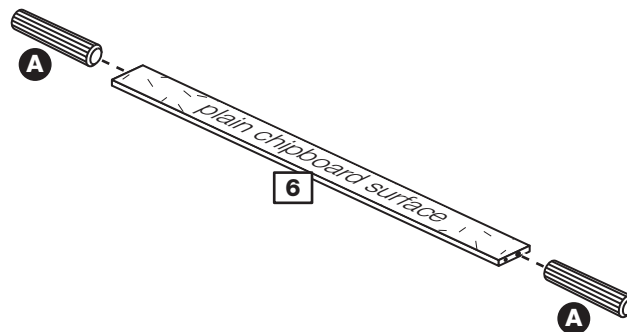
Push the right side **2** onto the top **4** and base **5** and secure with 4 screws **D**.



Step 9

Prepare the plinth

Tap 2 wooden dowels **A** into the plinth **6**.

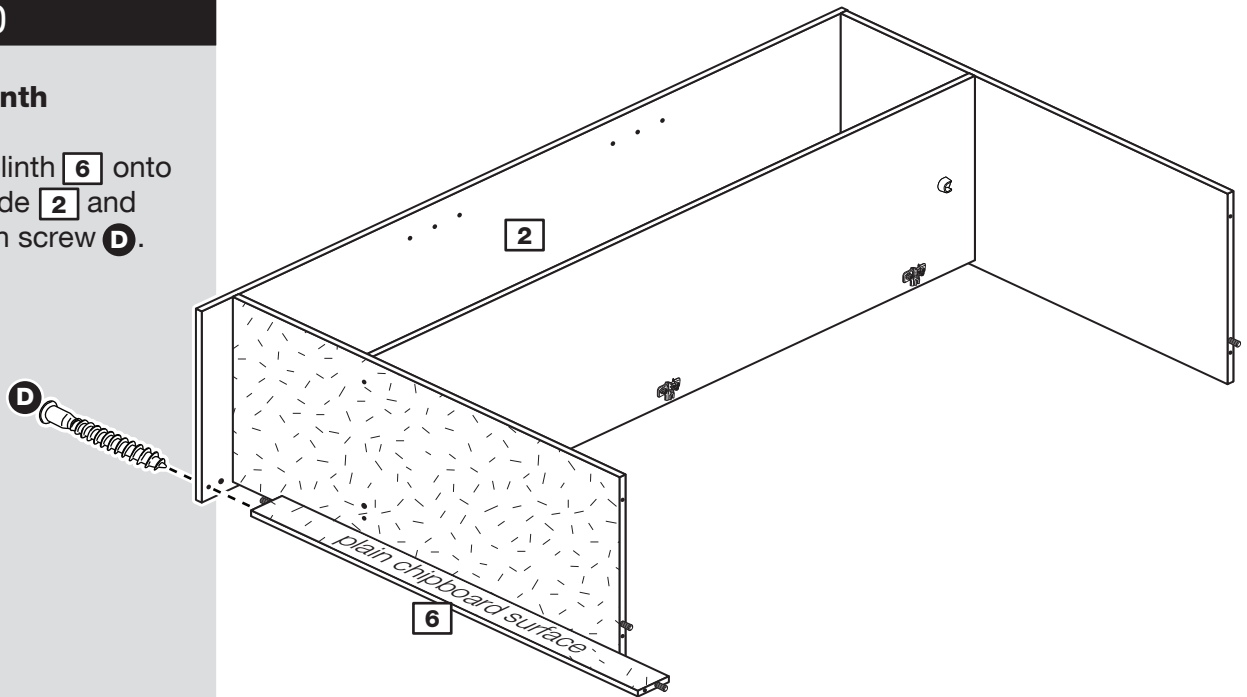


Assembly Instructions

Step 10

Fit the plinth

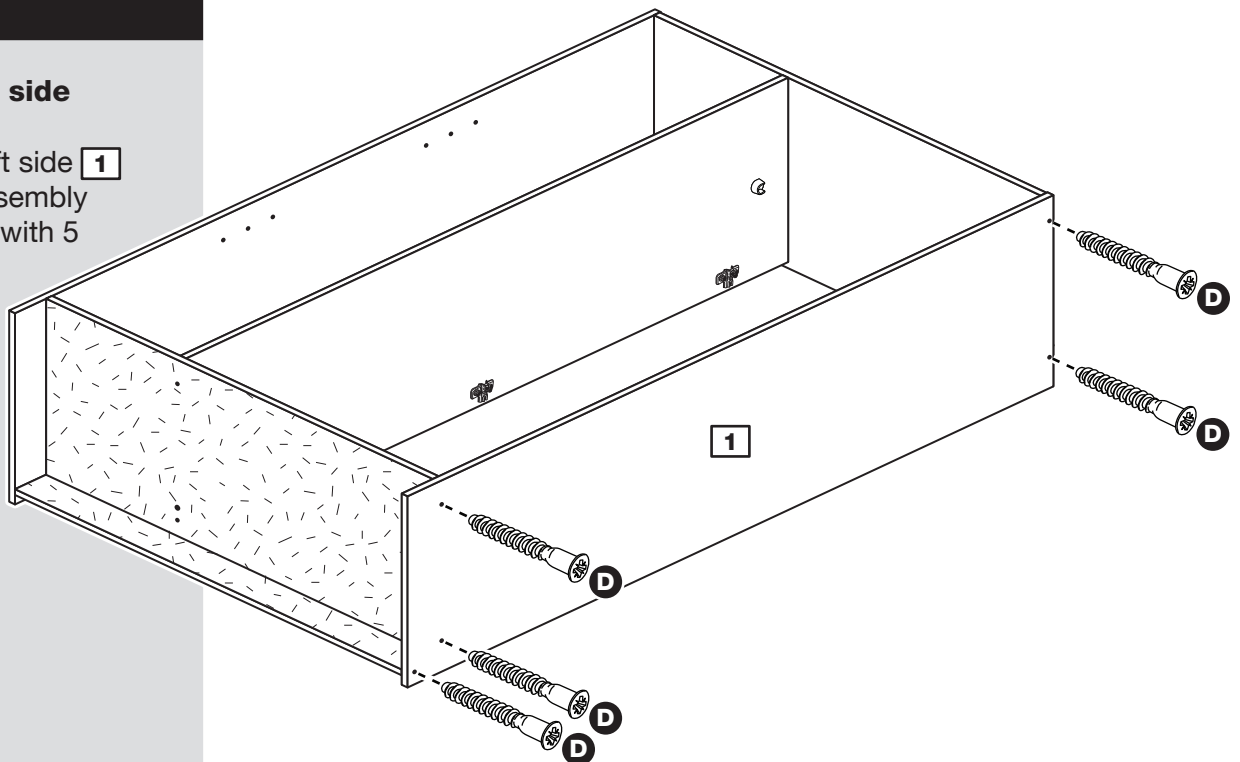
Push the plinth **6** onto the right side **2** and secure with screw **D**.



Step 11

Fit the left side

Push the left side **1** onto the assembly and secure with 5 screws **D**.



Assembly Instructions

Step 12

Fit the back panels

a: Square up the unit by making sure that measurement **x to x** equals **y to y**.

b: Place the back **10** and foldy back **11**, unit colour facing down, onto the unit as shown. Make sure that the 2 backs are pushed up tight against each other and that they meet in the centre of the upright **3** panel's edge.

Nail **H** around the outside edges of the 2 backs.

Note: Do not nail where the 2 backs meet. Nails should be spaced about 150mm apart.

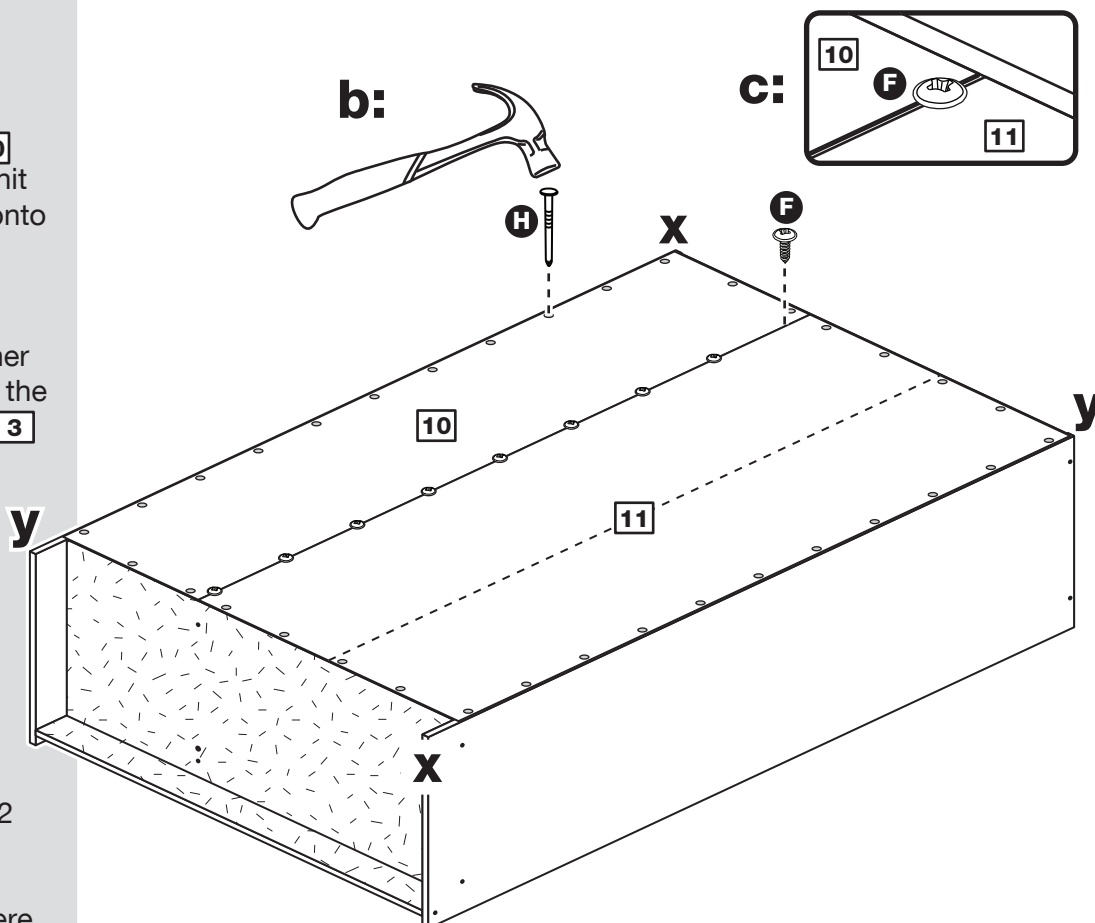
c: Using 9 screws **F**, screw down between the 2 backs and into the upright **3** panel's back edge.

Stand the unit up for the next step.



Warning: The unit is heavy. Lift with care.

a: The measurement from top corner X to bottom corner X must be equal to the measurement from top corner Y to bottom corner Y

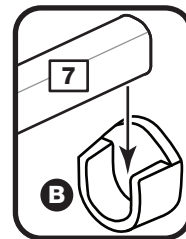
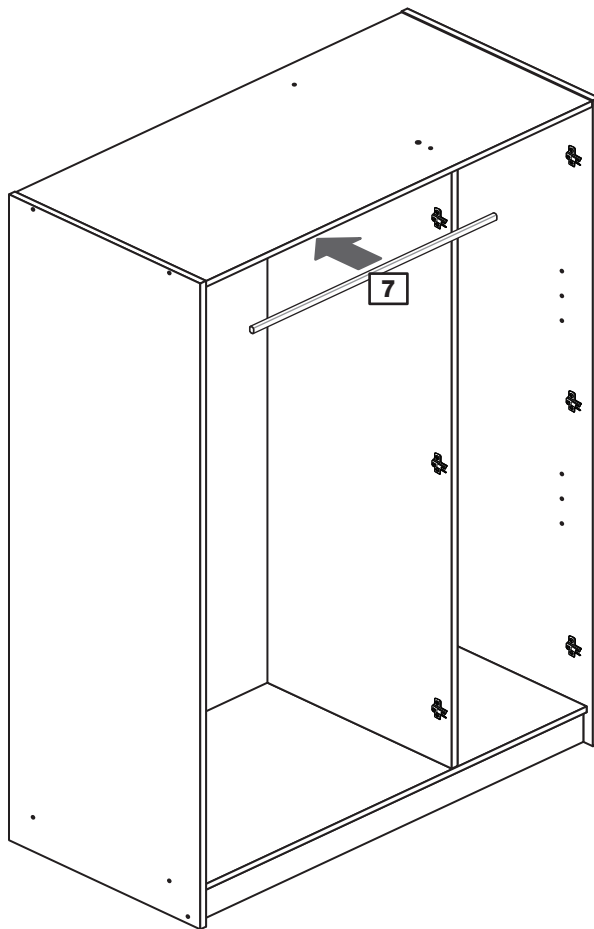


Assembly Instructions

Step 13

Fit the hanging rail

Push the hanging rail **7** into the rail holders **B** fitted to the right side **2** and upright **3**.

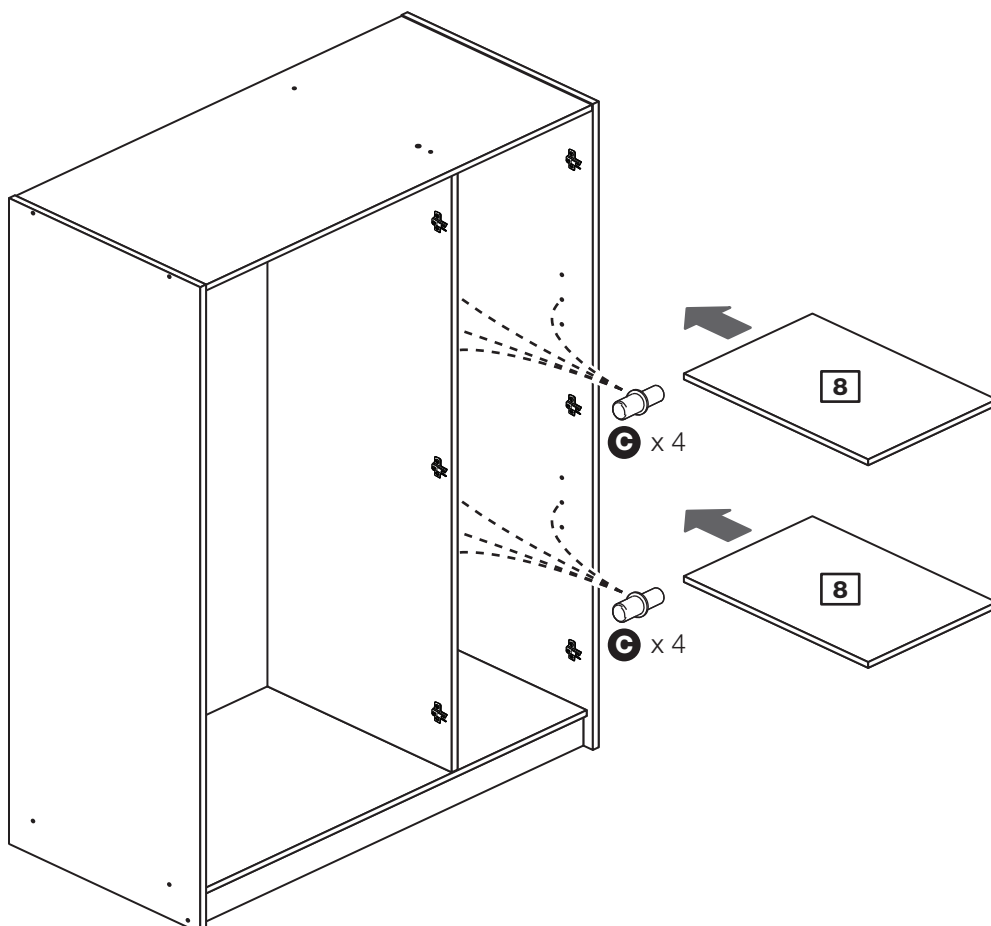


Step 14

Fit the shelves

For each of the 2 shelves **8**, insert 4 shelf studs **C** at the required height.

Lower the 2 shelves **8** down onto the shelf studs **C**.



Assembly Instructions

Step 15

Prepare the 2 outer doors

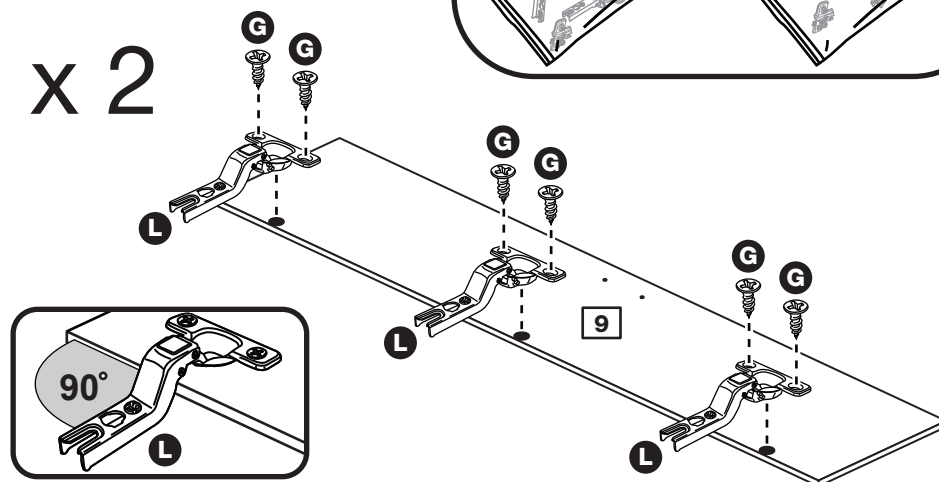
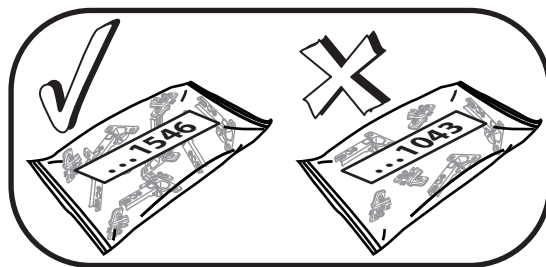
Important: The 6 hinges used in this step are in the bag marked as ... 1546.

Push fit 3 cranked hinges **L** into 2 of the doors **9**.

Secure each hinge with 2 screws **G**.

Note: Before securing with the screws, make sure that the hinges are positioned at 90 degrees with the edge of the door.

Important: The 6 hinges used in this step are in the bag marked as ... 1546.



Step 16

Prepare the centre door

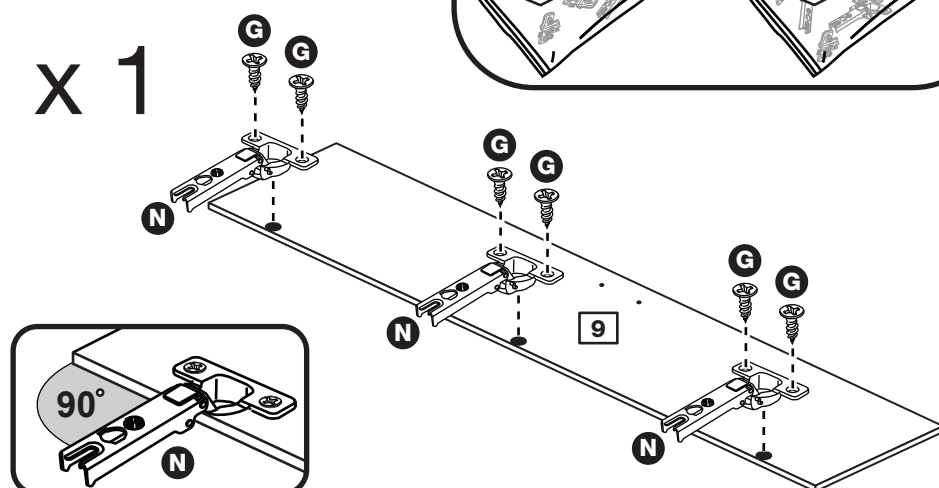
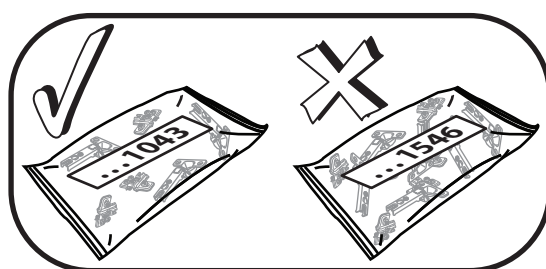
Important: The 3 hinges used in this step are in the bag marked as ... 1043.

Push fit 3 straight hinges **N** into 1 of the doors **9**.

Secure each hinge with 2 screws **G**.

Note: Before securing with the screws, make sure that the hinges are positioned at 90 degrees with the edge of the door.

Important: The 3 hinges used in this step are in the bag marked as ... 1043.



Assembly Instructions

Step 17

Fit the 2 outer doors and their handles

2 people are needed here

Note: The easiest way to attach each outer door is to fit the top hinge first, then align and fit the other hinges.

a: Push the hinge **L** onto the front part of the hinge plate **K**.

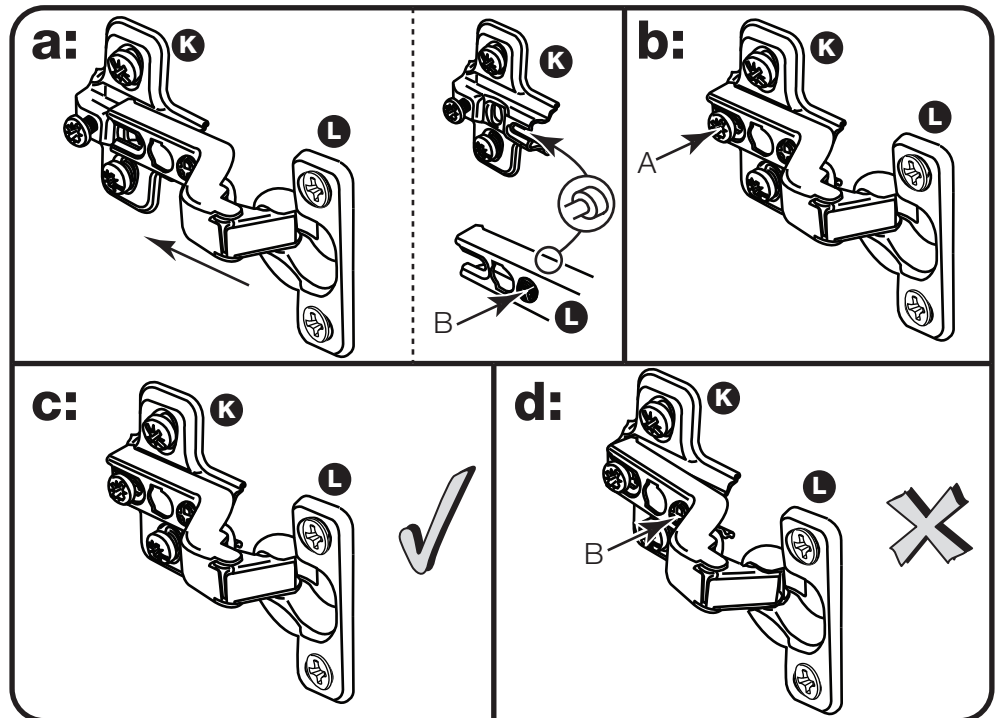
b: Keep the hinge **L** FLAT against the hinge plate **K** as you slide it across as far as it will go. Tighten screw **A**.

c: The hinge **L** must be flat against the hinge plate **K** prior to any adjustment.

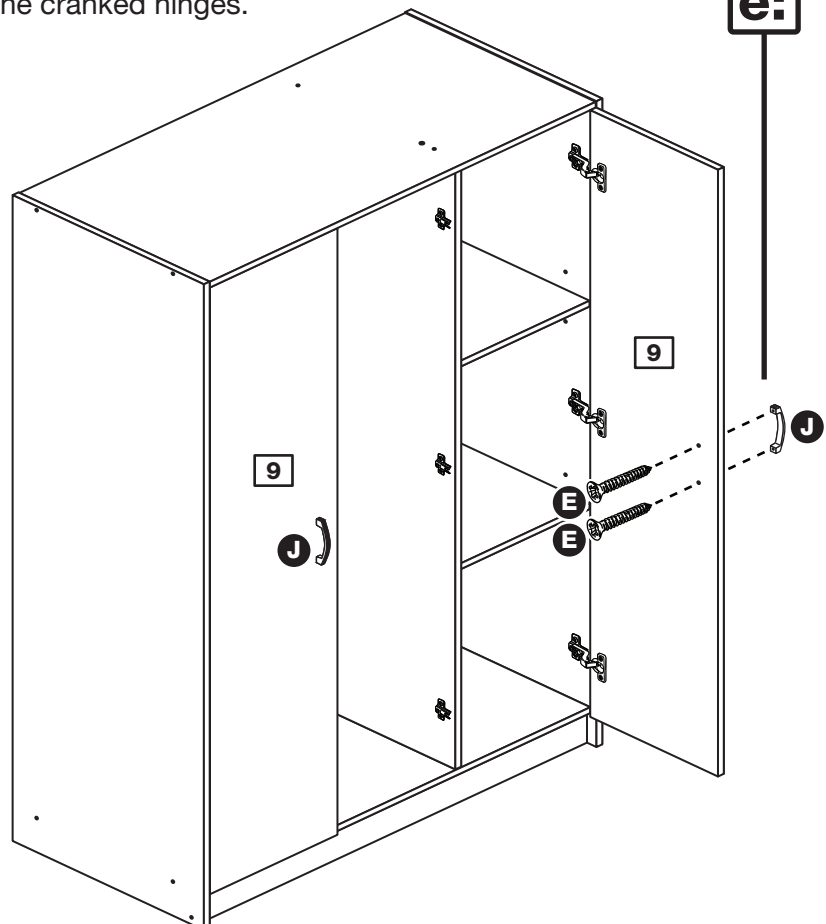
d: The hinge **L** must NOT be AT AN ANGLE to the hinge plate **K** when assembled. This would indicate that the recess at the bottom of screw **B** had not located in the slot in the hinge plate and the hinge would not be secure. Remove the hinge from the hinge plate and then re-assemble being careful to follow instructions a-c.

e: Attach a handle **J** to each of the outer doors **9** using 2 screws **E**.

Note: Do not overtighten screw **E**.



The 2 outer doors have the cranked hinges.



Assembly Instructions

Step 18

Fit the centre door and its handle

Note: The easiest way to attach the centre door **9** is to fit the top hinge first, then align and fit the other hinges.

a: Push the hinge **N** onto the front part of the hinge plate **M**. The recess at the bottom of screw **B** goes into the slot in the hinge plate.

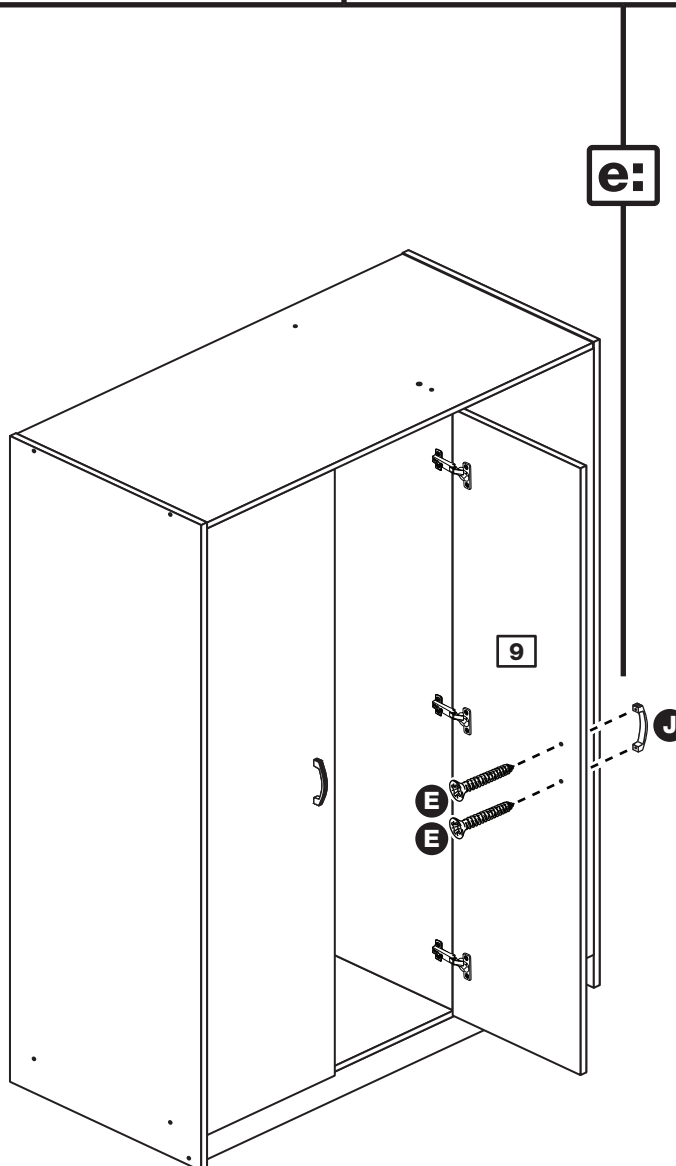
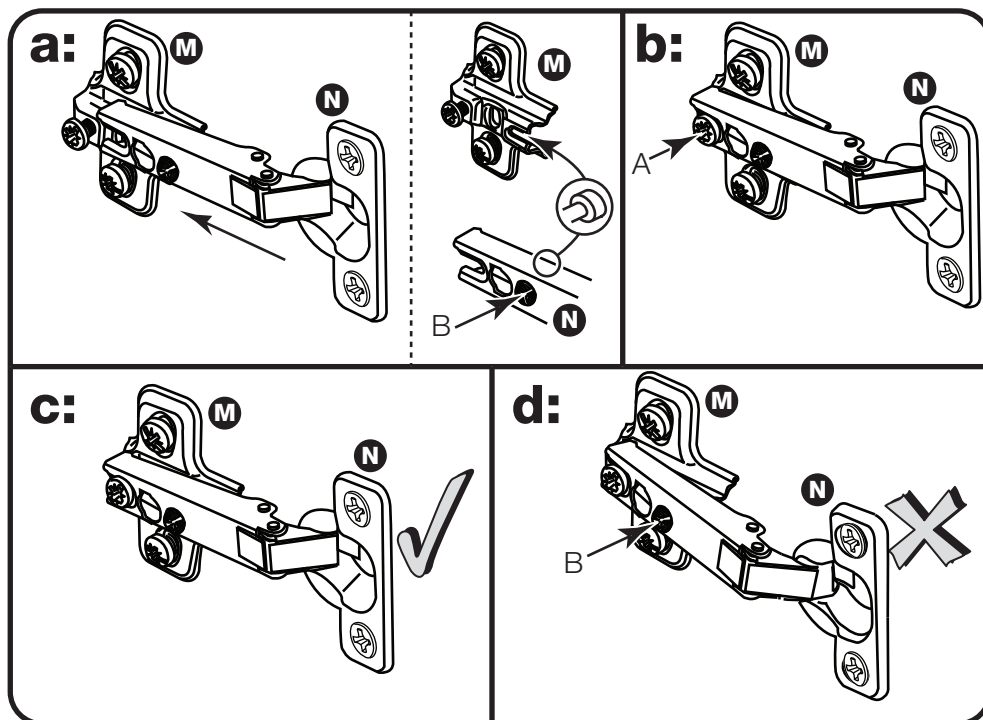
b: Keep the hinge **N** FLAT against the hinge plate **M** as you slide it across as far as it will go. Tighten screw **A**.

c: The hinge **N** must be flat against the hinge plate **M** prior to any adjustment.

d: The hinge **N** must NOT be AT AN ANGLE to the hinge plate **M** when assembled. This would indicate that the recess at the bottom of screw **B** had not located in the slot in the hinge plate and the hinge would not be secure. Remove the hinge from the hinge plate and then re-assemble being careful to follow instructions a-c.

e: Attach a handle **J** to the centre door **9** using 2 screws **E**.

Note: Do not overtighten screw **E**.



Assembly Instructions

Step 19

Adjust the doors if needed

a: Before adjusting the doors, use a spirit level to check the base (or top) of the unit is level, front-to-back and side-to-side in the 3 positions shown. Use suitable packing pieces (not supplied) to make the unit level BEFORE making any adjustment to the hinges, as shown.

b: Height adjustment.

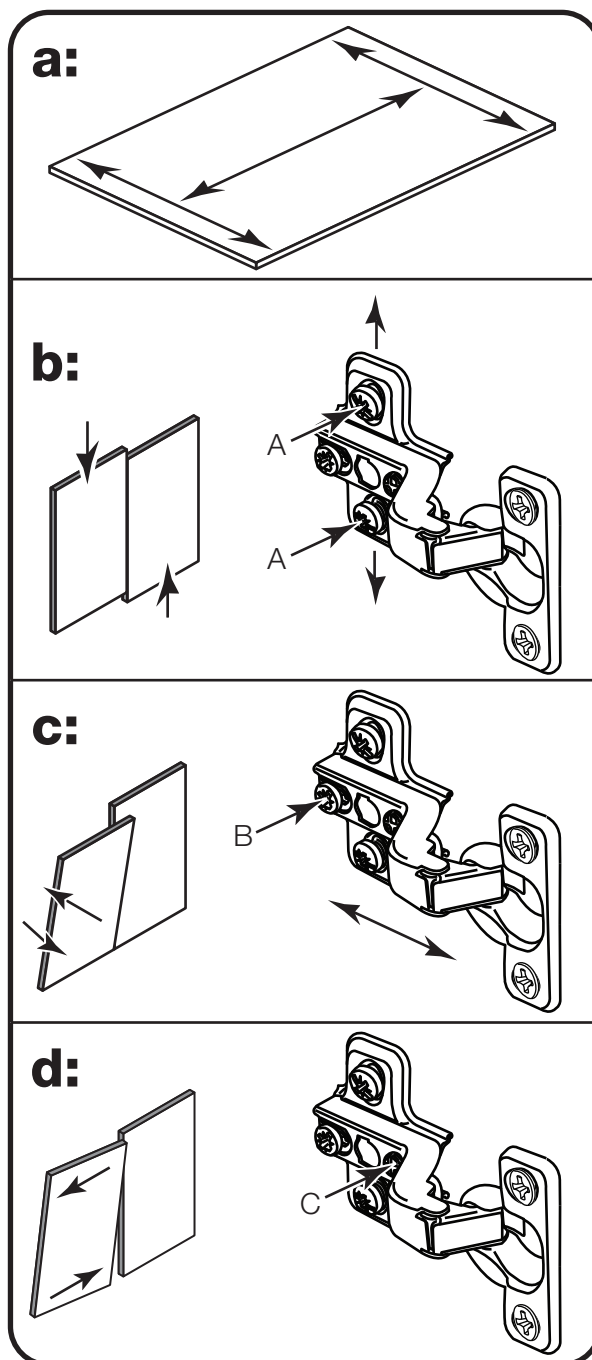
Loosen screws A on hinge plates and move door up or down as required. Retighten screw A.

c: Forward and Back adjustment.

Loosen screw B on hinge plate and move door in or out as required. Retighten screw B.

d: Sideways adjustment.

To move door 'out' loosen screw C. To move door 'in' tighten screw C.



This shows the hinge and plate that is fitted to the outer doors. The ones fitted to the centre door are adjusted in the same way.

Assembly Instructions

Step 20

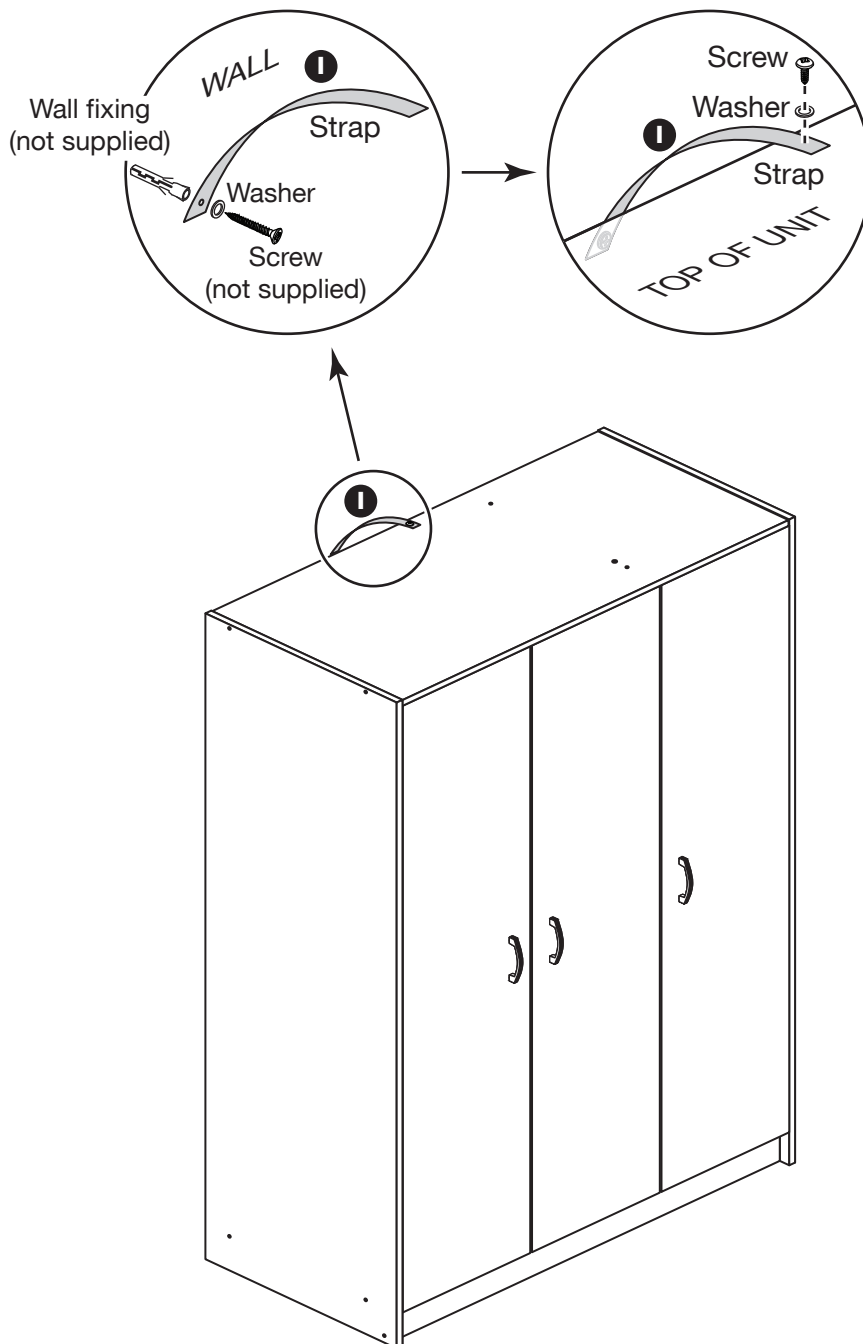
Fit the overbalance protector kit

To prevent possible overbalancing we recommend that this unit is secured to a suitable wall by fitting of the overbalance protector kit ❶ to the unit, or an alternative fixing method of your choice.

Wall fixings are not supplied as they will need to suit the wall type.

Note: Take care when drilling the wall that you do not drill into any pipes, wires etc. If in doubt, consult an expert.

Assembly is complete



If you need help or have damaged or missing parts, call the Customer Helpline: 08456 400800 and quote the reference numbers on the component pages.

Argos Ltd, 489-499 Avebury Boulevard, Central Milton Keynes, MK9 2NW