

Operating Instructions

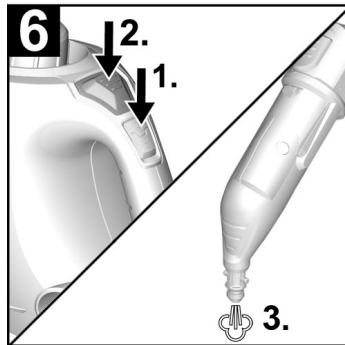
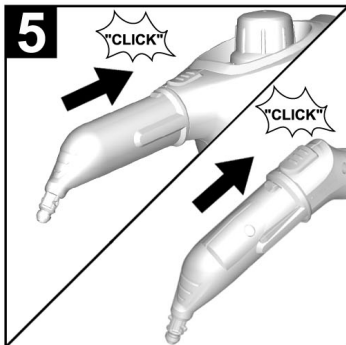
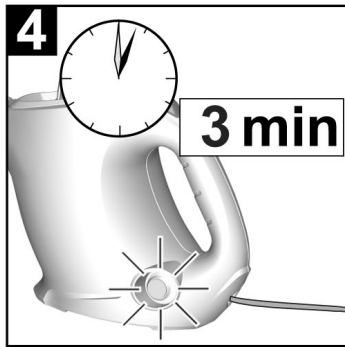
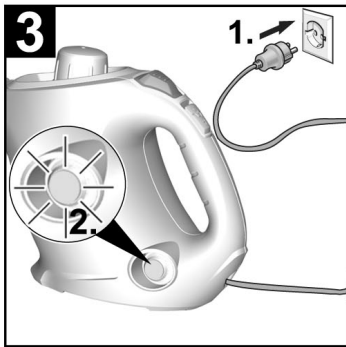
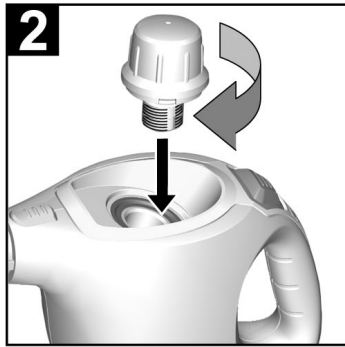
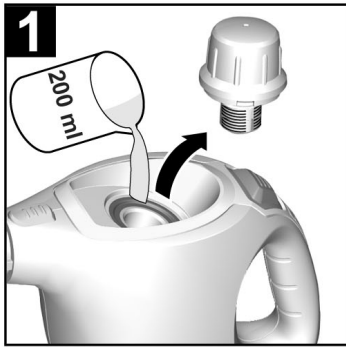
Before first use of the unit
read these operating instructions
and act in accordance with them.

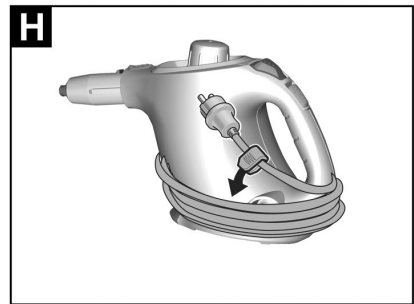
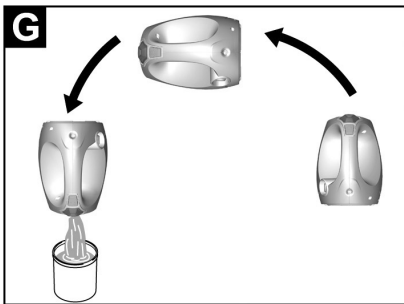
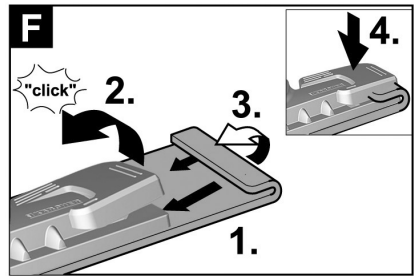
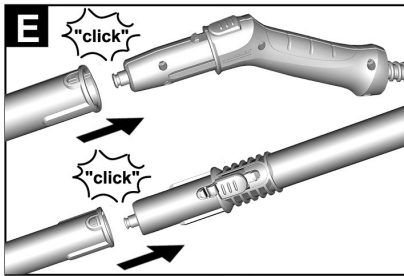
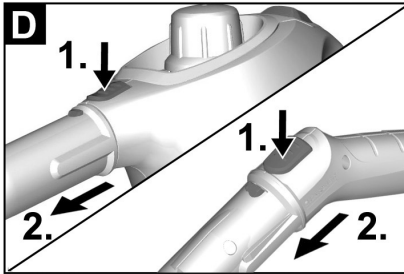
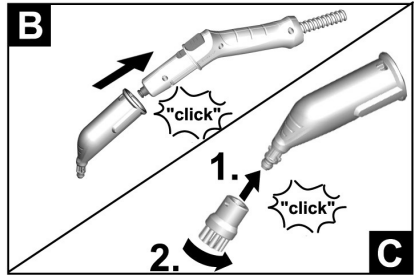
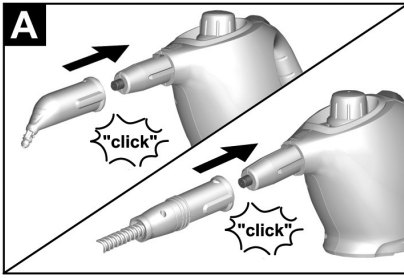
English	5
Deutsch	12
Français	20
Español	28
العربية	45

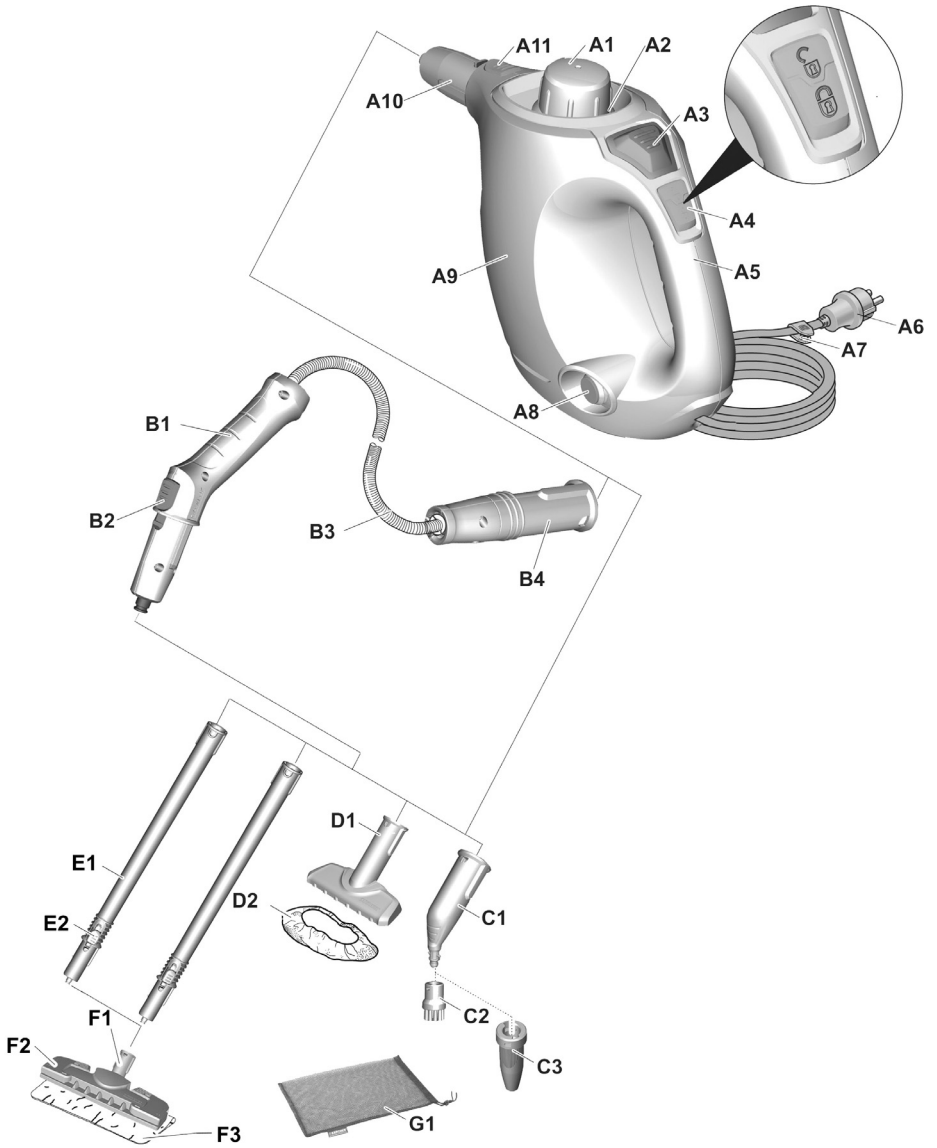


Register and win!
www.kärcher.com/register-and-win









Contents

Safety Instructions for Steam Cleaners	EN	5
Description of the Appliance	EN	8
Quick Reference	EN	9
Operation	EN	9
How to Use the Accessories	EN	10
Care and maintenance	EN	10
Troubleshooting	EN	11
Technical specifications	EN	11

Dear Customer,



Please read and comply with these original instructions prior to the initial operation of your appliance and store them for later use or subsequent owners.

Proper use

Use the steam cleaner only for private households. The appliance is intended to be used with steam and can be used with the appropriate accessories as described in these operating instructions. You will not need any detergent. Please adhere to the safety instructions.

Environmental protection



The packaging material can be recycled. Please do not place the packaging into the ordinary refuse for disposal, but arrange for the proper recycling.



Old appliances contain valuable materials that can be recycled. Please arrange for the proper recycling of old appliances. Please dispose your old appliances using appropriate collection systems.

Notes about the ingredients (REACH)

You will find current information about the ingredients at:

www.kaercher.com/REACH

Spare parts

Use only original KÄRCHER spare parts. You will find a list of spare parts at the end of these operating instructions.

Scope of delivery

The scope of delivery of your appliance is illustrated on the packaging. Check the contents of the appliance for completeness when unpacking.

In the event of missing accessories or any transport damage, please contact your dealer.

Warranty

The warranty terms published by the relevant sales company are applicable in each country. We will repair potential failures of your appliance within the warranty period free of charge, provided that such failure is caused by faulty material or defects in manufacturing. In the event of a warranty claim please contact your dealer or the nearest authorized Customer Service centre. Please submit the proof of purchase.

(See address on the reverse)

Safety Instructions for Steam Cleaners

- *Apart from the notes contained herein the general safety provisions and rules for the prevention of accidents of the legislator must be observed.*
- *Warnings and notes that are attached on the appliance provide important notes for the safe operation.*

Hazard levels

DANGER

Pointer to immediate danger, which leads to severe injuries or death.

WARNING

Pointer to a possibly dangerous situation, which can lead to severe injuries or death.

CAUTION

Pointer to a possibly dangerous situation, which can lead to minor injuries.

ATTENTION

Pointer to a possibly dangerous situation, which can lead to property damage.

Electric components

⚠ DANGER

- *Never use the appliance in pools containing water.*
- *Do not level the steam jet directly at equipment that contains electrical components, such as the inside of ovens.*
- *Do not fill the appliance without a removable water tank directly via the water connection as long as it is connected to the mains. Instead, use a jar for filling it.*
- *Check the appliance and the accessories, especially the power cord, the safety lock and the steam hose for proper condition.*
Do not use the appliance in case of damage.
- *If the power cord is damaged, please arrange immediately for the exchange by an authorized customer service or a skilled electrician.*
- *Promptly replace a damaged steam hose. You may only use a steam hose that is recommended by the manufacturer.*
- *Never touch the mains plug and the socket with wet hands.*
- *Always disconnect the mains plug and allow the steam cleaner to cool down before performing any maintenance work.*

- *Repair works may only be performed by the authorized customer service.*
- *The connection between the power cord and extension cable must not lie in water.*

⚠ WARNING

- *The appliance may only be connected to an electric supply that has been installed by an electrician in accordance with IEC 60364.*
- *The appliance may only be connected to alternating current. The voltage must correspond with the type plate of the appliance.*
- *In wet rooms, e.g. bathrooms, connect the appliance to sockets with a series connected RCD adapter.*
- *Only use splash-proof electrical extension cables with a minimum cross-section of 3x1 mm²*
- *Replace couplings at the power cord or extension cable only with couplings that have the same protection against splashing water and the same mechanical strength.*
- *Be very careful while cleaning tiled walls with sockets.*

⚠ CAUTION

- *Make sure that the power cord or extension cable is not damaged by running over, pinching, dragging or the like. Protect the power cords from heat, oil, and sharp edges.*

Safe handling

⚠ DANGER

- *The user must use the appliance as intended. The person must consider the local conditions and must pay attention to other persons in the vicinity when working with the appliance.*
- *The appliance may not be operated in explosive atmospheres.*
- *If the appliance is used in hazardous areas the corresponding safety provisions must be observed.*
- *Do not use the appliance if it fell down, is visibly damaged or leaking.*
- *Never use the appliance to clean objects containing hazardous substances (e.g. asbestos).*
- *Never touch the steam jet from a short distance with your hands and never direct the steam jet to persons or animals (risk of scalds).*
- *Never open the maintenance / safety lock during operation. Allow appliance to cool down first.*
- *Do not fill in detergents or other additives!*
- *Risk of scalding when the boiler is hot. Allow the boiler to cool down prior to filling in water.*
- *Risk of scalding due to high water discharge if the device*

is tilted to the side more than 30° during use.

⚠ WARNING

- *The appliance must not be operated by children or persons who have not been instructed accordingly.*
- *This appliance is not intended for use by persons with limited physical, sensory or mental capacities or lacking experience and/or skills, unless such persons are accompanied and supervised by a person in charge of their safety or they have received precise instructions on the use of this appliance and have understood the resulting risks.*
- *Children must not play with this appliance.*
- *Supervise children to prevent them from playing with the appliance.*
- *Keep appliance out of reach of children as long as it is switched on or hasn't cooled down.*
- *Operate or store the appliance only in accordance with the description or illustration!*
- *Do not wedge the steam lever / the steam button during operation.*
- *Only switch on the appliance when there is water in the boiler. Otherwise the appliance might overheat (see Troubleshooting).*
- *Hot water may drip out of the accessory parts while you are*

detaching them! Allow appliance to cool down.

- Never separate accessories from the appliance as long as steam is escaping!

⚠ CAUTION

- Create stability for the appliance prior to any work on or with the appliance to prevent accidents or damage.
- Never fill solvents, solvent-containing liquids or undiluted acids (e.g. detergents, benzene, paint thinner, and acetone) into the boiler as these substances affect the materials used on the appliance.
- Never leave the appliance unattended as long as it is in operation.

ATTENTION

- In case of longer breaks and after use, switch the appliance off at the main switch / appliance switch and pull the mains plug.
- Do not operate the appliance at temperatures below 0 °C.
- Protect the unit from rain. Do not store outside.

Descaling the boiler

⚠ CAUTION

- Do not screw the safety lock onto the appliance during decalcification.
- Do not use the steam cleaner as long as there is decalcifying agent in the boiler.
- Be careful when filling and draining the steam cleaner with the decalcifying solution.

The decalcifying solution can corrode sensitive surfaces.

Safety Devices

⚠ CAUTION

- Safety devices protect the user and may not be modified or bypassed.

Symbols on the machine

Symbols depending on unit type.

⚠ CAUTION



Surfaces are liable to get hot during use!



Danger of scalding by steam!



Please read the operating instructions!

Description of the Appliance

These operating instructions describe the maximum equipment. Depending on the model, there are differences in the scopes of delivery (see packaging).

→ Illustrations on fold-out page!



- A1 Safety lock
- A2 Filling hole for water
- A3 Steam button
- A4 Child lock
- A5 Carrying handle
- A6 Mains cable with mains plug
- A7 Cable clamp
- A8 Indicator lamp (green) – line voltage is on
- A9 Steam boiler / Water reservoir
- A10 Steam nozzle
- A11 Unlocking button
- B1 Steam gun
- B2 Unlocking button
- B3 Steam hose
- B4 Steam plug
- C1 Detail nozzle
- C2 Round brush
- C3 Power nozzle
- D1 Hand nozzle
- D2 Terry cloth cover
- E1 Extension tubes (two tubes)
- E2 Unlocking button
- F1 Floor nozzle

- F2 Retaining clip
- F3 Terry floor cloth
- G1 Accessories bag

Quick Reference

→ Illustrations on Page 2

Illustration 1

- Remove the safety lock from the device.
- Fill the boiler with a maximum of 200 ml of fresh tap water.

Illustration 2

- Screw in safety cap.

Illustration 3

- Insert the mains plug into a socket. Indicator lamp glows green.

Illustration 4

- The steam cleaner is ready for use after approx. 3 minutes.

Illustration 5

- Connect the accessories to the steam nozzle or steam gun.

Illustration 6

- Push the child lock at the top (steam button unlocked).
- Push the steam button. The steam cleaner is ready to use.

Operation

Attaching the Accessories

Illustration A – C

- If necessary, connect the required accessories (see Chapter "Use of the accessories") with the steam nozzle or steam gun.
- In order to do so, fit the open end of the accessory to the steam nozzle or steam gun and push it on until the unlocking button of the steam nozzle or steam gun snaps in place.

Illustration E

- Use the extension tubes if necessary. To do so, connect one or both extension tubes to the steam gun. Insert the required accessories on the free end of the extension tube.

Removing the Accessories

- Push the child lock at the bottom (steam button locked).

Illustration D

- To detach the accessory parts, press the unlocking button and pull the items apart.

Fill up with water

Notes

- In case of continuous use of commercially available distilled water, no descaling of the boiler is necessary.
- You can reduce the heating-up time by using warm water.
- Remove the safety lock from the device.

- Fill the boiler with a maximum of 200 ml of fresh tap water.

- Screw the safety cap back onto the device.

Turning on the Appliance

- Place the unit securely on a firm surface.
- Insert the mains plug into a socket. Indicator lamp must glow.

Note

After approx. 3 minutes the steam cleaner is ready for use.

- Push the child lock at the top.
- Actuate the steam lever to release steam.

Notes

- Upon initial start-up a small cloud of smoke may exit the steam nozzle. The appliance requires a short run-in time. At first, the escaping steam is irregular and moist, some water drops may leak out. The escaping amount of steam increases continuously until the maximum amount is reached after approx. one minute.
- Do not tilt the appliance too much to the side during cleaning work (max. angle 30°). Otherwise the steam cleaner "spits" water.

Refilling Water

Water needs to be filled into the boiler, if the steam volume decreases during work and no more steam is emitted in the end.

Note

The safety lock cannot be opened as long as slight pressure remains in the boiler.

- Push the steam button until no more steam is escaping. Now, the boiler of the appliance is depressurized.
- Push the child lock at the bottom.
- Disconnect the mains plug from the socket.
- Remove the safety lock from the device.
- Fill the boiler with a maximum of 200 ml of fresh tap water.
- Screw the safety cap back onto the device.
- Insert the mains plug into a socket.
- Push the child lock at the top. The steam cleaner is ready to use.

Turning Off the Appliance

- Push the child lock at the bottom.
- Disconnect the mains plug from the socket.

Storing the Appliance

Illustration G

- Empty water out.

Illustration H

- Coil the mains power cable around the water tank and fasten with a cable clamp.
- Allow the accessories to dry and then store them in the accessories bag.
- Store the appliance at a dry and frost-proof location.

How to Use the Accessories

Important application instructions

Cleaning floor surfaces

It is recommended to sweep or vacuum the floor prior to using the steam cleaner. This way, the floor is already cleared of dirt/loose particles prior to the wet cleaning.

Refreshing textiles

Prior to treatment with the steam cleaner, always check the reaction of the textiles in an inconspicuous location: Steam at first, then let dry and then check for colour or shape changes.

Cleaning of Coated or Lacquered Surfaces

When cleaning painted or plastic-coated surfaces, as found on kitchen and living room furniture, doors, parquet; wax, furniture polish, plastic surfaces or paint can come loose or stains can be created. When cleaning these surfaces, briefly steam a cloth and wipe the surfaces with it.

ATTENTION

Never direct the steam jet at glued edges as the edge band may loosen. Do not use the steam cleaner on unsealed wooden or parquet floors.

Cleaning of Glass

In case of low outside temperatures, especially in the winter, warm up the window pane by slightly steaming the entire glass surface. This will prevent tensions on the surface which might lead to glass breakage.

Then clean the window surface with the hand nozzle and attachment. Use a squeegee to remove the water or wipe the surfaces dry.

ATTENTION

Do not direct steam onto the sealed locations of the window frame to prevent damage.

Steam nozzle / Steam gun

The steam nozzle or steam gun can also be used without accessories, for example:

- to remove odours and wrinkles from hanging clothes by steaming them at a distance of 10 to 20 cm.
- for moist dusting, by briefly steaming the cloth and wiping the furniture with it.

Detail nozzle

The closer this nozzle is to the contaminated area, the higher the cleaning effect, as the temperature and the steam are highest at the nozzle output. Especially suited for cleaning difficult access locations, joints, fittings, drains, sinks, toilets, blinds and heaters. Heavy lime scale can be drenched in vinegar prior to steam-cleaning. Let the vinegar penetrate for about 5 minutes.

Round brush

The round brush can be installed onto the detail nozzle as an accessory. Attached brushes can therefore be used to remove heavy soiling.

ATTENTION

Not suitable for cleaning sensitive surfaces.

Illustration **C**

- Attach the round brush to the detail nozzle.

Power nozzle

The power nozzle can be installed onto the detail nozzle as an accessory.

The power nozzle increases the emission speed of the steam. Therefore, it is well-suited for cleaning very tough dirt, blowing out corners, grooves, etc.

Illustration **C**

- Attach the power nozzle to the detail nozzle according to the round brush.

Hand nozzle

Pull the terry cloth cover over the hand nozzle. Especially well-suited for small washable areas, shower stalls and mirrors.

Floor nozzle

Suited for all washable walls and floor coverings, e.g. stone floors, tiles and PVC floors. Work slowly on very dirty surfaces to allow the steam to act on the dirt for a longer period of time.

Note

Detergent residue or care emulsions that are still present on the surface to be cleaned can lead to streaks during steam cleaning. However, these will disappear with repeated cleaning procedures.

Illustration **F**

- Attach the floor cloth to the floor nozzle.

- 1 Fold the floor cloth the long way and place the floor nozzle on top of it.
- 2 Open holding clamps.
- 3 Place the cloth ends into the openings.
- 4 Close the holding clamps.

Care and maintenance

Rinsing the boiler

Rinse the boiler of the steam cleaner after completion of the work.

- Fill the boiler with water and shake it strongly. This dissolves lime scaling residing on the boiler bottom.
- Empty water out.

Descaling the boiler

As limescale builds up in the appliance, we recommend to descale the appliance in the following intervals (TF=tank fillings):

Note

In case of continuous use of commercially available distilled water, no descaling of the boiler is necessary.

Degree of hardness		° dH	mmol/l	RF
I	soft	0- 7	0-1,3	35
II	medium	7-14	1,3-2,5	30
III	hard	14-21	2,5-3,8	20
IV	very hard	>21	>3,8	15

Note

The hardness of the tap water can be inquired at your water management office or the municipal utilities.

- Disconnect the mains plug from the socket.
- Allow device to cool down.
- Remove the safety lock from the device.

Illustration **G**

- Completely empty the steam boiler to remove existing water.

- Use KÄRCHER descaler sticks for descaling. Please follow the dosing instructions on the packaging when preparing the descaler.

ATTENTION

Use caution when filling and emptying the steam cleaner. The descaling solution can have an aggressive effect on delicate surfaces.

- Pour the descaling solution into the boiler and allow it to react for approximately 8 hours.
- Completely empty the descaling solution after 8 hours. A small amount of the solution will remain in the boiler. Therefore, you should rinse the boiler two to three times with cold water to remove any residues of the descaler.

Illustration 

- Completely empty the steam boiler to remove existing water.

Care of the Accessories

Note

The floor cleaning cloth and the terry cloth cover have been pre-washed and can be used immediately for working with the steam cleaner.

- You can wash dirty floorcloths and terry cloth covers in the washing machine at 60°C. Do not use a liquid softener as this would affect the ability of the cloths to pick up dirt. You may tumble dry the cloths.

Troubleshooting

Often, failures have simple causes and you can do the troubleshooting yourself using the following overview. If you are in doubt or if the failure is not listed here please contact the authorized customer service.

Decreased steam amount

Appliance is decalcified.

- Decalcify appliance.

Steam decreases during the work / no steam

No water in the water reservoir.

- Refill water

The steam button cannot be pushed.

The steam button is secured with the child lock.

- Push the child lock at the top (steam button unlocked).

Steam nozzle is plugged

- Remove the accessory from the steam nozzle.
- Clean the nozzle insert.
- Briefly switch on the appliance.
- Reattach the accessory to the steam nozzle.

High water output

- Do not tilt the appliance too much to the side during cleaning work (max. angle 30°).

Technical specifications

Electrical connection

Voltage	220-240 V 1~50/60 Hz
---------	-------------------------

Protection class	IP X4
------------------	-------

Protective class	I
------------------	---

Performance data

Heating output	1200 W
----------------	--------

Operating pressure max.	0,3 MPa
-------------------------	---------

Heating time	3 Minutes
--------------	-----------

Steam volume	
--------------	--

Continuous steaming	35 g/min
---------------------	----------

Steam push max.	80 g/min
-----------------	----------

Dimensions

Volume	250 ml
--------	--------

Boiler capacity	
-----------------	--

Filling quantity	200 ml
------------------	--------

Length	321 mm
--------	--------

Width	127 mm
-------	--------

Height	186 mm
--------	--------

Weight (without accessories)	1,5 kg
------------------------------	--------

Subject to technical modifications!

Inhaltsverzeichnis

Sicherheitshinweise für Dampfreiniger	DE	5
Gerätebeschreibung	DE	9
Kurzanleitung	DE	9
Betrieb	DE	9
Anwendung des Zubehörs	DE	10
Pflege und Wartung	DE	11
Hilfe bei Störungen	DE	11
Technische Daten	DE	12

Sehr geehrter Kunde,



Lesen Sie vor der ersten Benutzung Ihres Gerätes diese Originalbetriebsanleitung, handeln Sie danach und bewahren Sie

diese für späteren Gebrauch oder für Nachbesitzer auf.

Bestimmungsgemäße Verwendung

Benutzen Sie den Dampfreiniger ausschließlich für den Privathaushalt.

Das Gerät ist zur Reinigung mit Dampf bestimmt und kann mit geeignetem Zubehör, wie in dieser Betriebsanleitung beschrieben, verwendet werden. Es wird kein Reinigungsmittel benötigt. Beachten Sie dabei besonders die Sicherheitshinweise.

Umweltschutz



Die Verpackungsmaterialien sind recycelbar. Bitte werfen Sie die Verpackungen nicht in den Hausmüll, sondern führen Sie diese einer Wiederverwertung zu.



Altgeräte enthalten wertvolle recyclingfähige Materialien, die einer Verwertung zugeführt werden sollten. Bitte entsorgen Sie Altgeräte deshalb über geeignete Sammelsysteme.

Hinweise zu Inhaltsstoffen (REACH)

Aktuelle Informationen zu Inhaltsstoffen finden Sie unter: www.kaercher.de/REACH

Ersatzteile

Verwenden Sie ausschließlich Original KÄRCHER Ersatzteile. Eine Ersatzteilübersicht finden Sie am Ende dieser Betriebsanleitung.

Lieferumfang

Der Lieferumfang Ihres Gerätes ist auf der Verpackung abgebildet. Prüfen Sie beim Auspacken den Inhalt auf Vollständigkeit.

Bei fehlendem Zubehör oder bei Transportschäden benachrichtigen Sie bitte ihren Händler.

Garantie

In jedem Land gelten die von unserer zuständigen Vertriebsgesellschaft herausgegebenen Garantiebedingungen. Etwaige Störungen an Ihrem Gerät beseitigen wir innerhalb der Garantiefrist kostenlos, sofern ein Material- oder Herstellungsfehler die Ursache sein sollte. Im Garantiefall wenden Sie sich bitte mit Kaufbeleg an Ihren Händler oder die nächste autorisierte Kundendienststelle.

(Adresse siehe Rückseite)

Sicherheitshinweise für Dampfreiniger

- Neben den Hinweisen in der Betriebsanleitung müssen die allgemeinen Sicherheits- und Unfallverhütungsvorschriften des Gesetzgebers berücksichtigt werden.
- Am Gerät angebrachte Warn- und Hinweisschilder geben wichtige Hinweise für den gefahrlosen Betrieb.

Gefahrenstufen

GEFAHR

Hinweis auf eine unmittelbar drohende Gefahr, die zu schweren Körperverletzungen oder zum Tod führt.

WARNING

Hinweis auf eine möglicherweise gefährliche Situation, die zu schweren Körperverletzungen oder zum Tod führen kann.

VORSICHT

Hinweis auf eine möglicherweise gefährliche Situation, die zu leichten Verletzungen führen kann.

ACHTUNG

Hinweis auf eine möglicherweise gefährliche Situation, die zu Sachschäden führen kann.

Elektrische Komponenten

GEFAHR

- Das Gerät nicht in Schwimmbecken verwenden, die Wasser enthalten.
- Dampfstrahl nicht direkt auf Betriebsmittel richten, die

elektrische Bauteile enthalten, wie z.B. der Innenraum von Öfen.

- *Geräte ohne abnehmbaren Wassertank nicht direkt über den Wasseranschluss befüllen, solange es mit dem Stromnetz verbunden ist. Stattdessen zur Befüllung ein Gefäß verwenden.*
- *Das Gerät und das Zubehör, insbesondere Netzanschlussleitung, Sicherheitsverschluss und Dampfschlauch, auf ordnungsgemäßen Zustand prüfen. Bei Beschädigungen das Gerät nicht benutzen.*
- *Beschädigte Netzanschlussleitung unverzüglich durch autorisierten Kundendienst/ Elektro-Fachkraft austauschen lassen.*
- *Einen beschädigten Dampfschlauch unverzüglich austauschen. Es darf nur ein vom Hersteller empfohlener Dampfschlauch verwendet werden.*
- *Netzstecker und Steckdose niemals mit feuchten Händen anfassen.*
- *Wartungsarbeiten nur bei gezogenem Netzstecker und abgekühltem Dampfreiniger durchführen.*
- *Reparaturarbeiten am Gerät dürfen nur vom autorisierten Kundendienst durchgeführt werden.*

- *Die Verbindung Netzanschluss-/Verlängerungsleitung darf nicht im Wasser liegen.*

△ WARNUNG

- *Das Gerät darf nur an einen elektrischen Anschluss angeschlossen werden, der von einem Elektroinstallateur gemäß IEC 60364 ausgeführt wurde.*
- *Das Gerät nur an Wechselstrom anschließen. Die Spannung muss mit dem Typenschild des Gerätes übereinstimmen.*
- *In feuchten Räumen, z.B. Badezimmer, das Gerät nur an Steckdosen mit vorgeschaltetem FI-Schutzschalter betreiben.*
- *Nur spritzwassergeschützte elektrische Verlängerungsleitungen mit einem Querschnitt von mindestens 3x1 mm² verwenden*
- *Kupplungen an der Netzanschluss- oder Verlängerungsleitung nur durch solche mit gleichem Spritzwasserschutz und gleicher mechanischer Festigkeit ersetzen.*
- *Vorsicht bei der Reinigung von gefliesten Wänden mit Steckdosen.*

△ VORSICHT

- *Darauf achten, dass Netzanschluss- und Verlängerungsleitung nicht durch Überfahren, Quetschen, Zerren oder dergleichen verletzt oder be-*

schädigt werden. Die Netzanschlussleitungen vor Hitze, Öl und scharfen Kanten schützen.

Sicherer Umgang

⚠ **GEFAHR**

- Der Benutzer hat das Gerät bestimmungsgemäß zu verwenden. Er hat die örtlichen Gegebenheiten zu berücksichtigen und beim Arbeiten mit dem Gerät auf Personen im Umfeld zu achten.
- Der Betrieb in explosionsgefährdeten Bereichen ist untersagt.
- Beim Einsatz des Gerätes in Gefahrbereichen sind die entsprechenden Sicherheitsvorschriften zu beachten.
- Das Gerät nicht verwenden, wenn es zuvor heruntergefallen, sichtbar beschädigt oder undicht ist.
- Keine Gegenstände abdampfen, die gesundheitsgefährdende Stoffe (z.B. Asbest) enthalten.
- Den Dampfstrahl nie aus kurzer Entfernung mit der Hand berühren oder auf Menschen oder Tiere richten (Verbrühungsgefahr).
- Den Wartungs-/ Sicherheitsverschluss nie während des Betriebs öffnen. Gerät zuvor abkühlen lassen.
- Kein Reinigungsmittel oder andere Zusätze einfüllen!
- Verbrühungsgefahr bei heißem Kessel. Vor dem Einfüllen

von Wasser Kessel abkühlen lassen.

- Verbrühungsgefahr durch hohen Wasseraustrag, wenn das Gerät bei der Anwendung mehr als 30° seitlich gekippt wird.

⚠ **WARNUNG**

- Das Gerät darf nicht von Kindern oder nicht unterwiesenen Personen betrieben werden.
- Dieses Gerät ist nicht dafür bestimmt, durch Personen mit eingeschränkten physischen, sensorischen oder geistigen Fähigkeiten oder mangels Erfahrungen und/oder mangels Wissen benutzt zu werden, es sei denn, sie werden durch eine für ihre Sicherheit zuständige Person beaufsichtigt oder erhalten von ihr Anweisungen, wie das Gerät zu benutzen ist und haben die daraus resultierenden Gefahren verstanden.
- Kinder dürfen mit dem Gerät nicht spielen.
- Kinder beaufsichtigen, um sicherzustellen, dass sie nicht mit dem Gerät spielen.
- Gerät von Kindern fernhalten, solange es eingeschaltet oder noch nicht abgekühlt ist.
- Das Gerät nur entsprechend der Beschreibung bzw. Abbildung betreiben oder lagern!

- *Den Dampfhebel / die Dampftaste bei Betrieb nicht festklemmen.*
 - *Das Gerät nur einschalten, wenn sich Wasser im Kessel befindet. Das Gerät kann sonst überhitzen (siehe Hilfe bei Störungen).*
 - *Beim Trennen von Zubehöerteilen kann heißes Wasser heraustropfen! Gerät abkühlen lassen.*
 - *Zubehör nie vom Gerät trennen, solange Dampf austritt!*
- △ VORSICHT**
- *Vor allen Tätigkeiten mit oder am Gerät Standsicherheit herstellen, um Unfälle oder Beschädigungen durch Umfallen des Geräts zu vermeiden.*
 - *Niemals Lösungsmittel, lösungsmittelhaltige Flüssigkeiten oder unverdünnte Säuren (z.B. Reinigungsmittel, Benzin, Farbverdünner und Azeton) in den Kessel füllen, da sie die am Gerät verwendeten Materialien angreifen.*
 - *Das Gerät niemals unbeaufsichtigt lassen, solange es in Betrieb ist.*

ACHTUNG

- *Bei längeren Arbeitspausen und nach Gebrauch das Gerät am Hauptschalter / Geräteschalter ausschalten und Netzstecker ziehen.*
- *Das Gerät nicht bei Temperaturen unter 0 °C betreiben.*

- *Das Gerät vor Regen schützen. Nicht im Aussenbereich lagern.*

Entkalken des Kessels

△ VORSICHT

- *Während des Entkalkens den Sicherheitsverschluss nicht auf das Gerät schrauben.*
- *Den Dampfreiniger nicht benutzen, solange noch Entkalkungsmittel im Kessel ist.*
- *Vorsicht beim Befüllen und Entleeren des Dampfreinigers mit der Entkalkerlösung. Die Entkalkerlösung kann empfindliche Oberflächen angreifen.*

Sicherheitseinrichtungen

△ VORSICHT

- *Sicherheitseinrichtungen dienen dem Schutz des Benutzers und dürfen nicht verändert oder umgangen werden.*

Symbole auf dem Gerät

Symbole je nach Gerätetyp.

△ VORSICHT



Die Oberflächen des Geräts werden während des Gebrauchs wahrscheinlich heiß!



Verbrühungsgefahr durch Dampf!



Betriebsanleitung lesen!

Gerätebeschreibung

In dieser Betriebsanleitung wird die maximale Ausstattung beschrieben. Je nach Modell gibt es Unterschiede im Lieferumfang (siehe Verpackung).

→ **Abbildungen siehe Ausklappseite!**



- A1 Sicherheitsverschluss
- A2 Einfüllöffnung für Wasser
- A3 Dampftaste
- A4 Kindersicherung
- A5 Tragegriff
- A6 Netzanschlussleitung mit Netzstecker
- A7 Kabelhalter
- A8 Kontrolllampe (grün) – Netzspannung vorhanden
- A9 Dampfkessel / Wassertank
- A10 Dampfdüse
- A11 Entriegelungstaste
- B1 Dampfpistole
- B2 Entriegelungstaste
- B3 Dampfschlauch
- B4 Dampfstecker
- C1 Punktstrahldüse
- C2 Rundbürste
- C3 Powerdüse
- D1 Handdüse
- D2 Frotteeüberzug
- E1 Verlängerungsrohre (2 Stück)
- E2 Entriegelungstaste
- F1 Bodendüse
- F2 Halteklammer
- F3 Bodentuch
- G1 Zubehörtasche

Kurzanleitung

→ **Abbildungen siehe Seite 2**

Abbildung **1**

- Sicherheitsverschluss vom Gerät abschrauben.
- Maximal 200 ml frisches Leitungswasser in den Kessel füllen.

Abbildung **2**

- Sicherheitsverschluss einschrauben.

Abbildung **3**

- Netzstecker in eine Steckdose stecken. Kontrolllampe leuchtet grün.

Abbildung **4**

- Nach ca. 3 Minuten ist der Dampfreiniger funktionsbereit.

Abbildung **5**

- Zubehör an Dampfdüse bzw. Dampfpistole anschließen.

Abbildung **6**

- Kindersicherung oben drücken (Dampftaste entsperrt).
- Dampftaste drücken. Der Dampfreiniger ist einsatzbereit.

Betrieb

Zubehör montieren

Abbildungen **A - C**

- Bei Bedarf benötigtes Zubehör (siehe Kapitel „Anwendung des Zubehörs“) mit der Dampfdüse bzw. Dampfpistole verbinden.
- Dazu das offene Ende des Zubehörs auf die Dampfdüse bzw. Dampfpistole stecken und soweit darauf schieben, bis die Entriegelungstaste der Dampfdüse bzw. Dampfpistole einrastet.

Abbildung **E**

- Bei Bedarf die Verlängerungsrohre verwenden. Dazu ein bzw. beide Verlängerungsrohre mit der Dampfpistole verbinden. Benötigtes Zubehör auf das freie Ende des Verlängerungsrohres schieben.

Zubehör trennen

- Kindersicherung unten drücken (Dampftaste gesperrt).

Abbildung **D**

- Zum Trennen der Zubehöerteile die Entriegelungstaste drücken und die Teile auseinander ziehen.

Wasser einfüllen

Hinweise

- Bei kontinuierlicher Verwendung von handelsüblichem destilliertem Wasser ist kein Entkalken des Kessels notwendig.
- Warmes Wasser verkürzt die Aufheizzeit.
- Sicherheitsverschluss vom Gerät abschrauben.
- Maximal 200 ml frisches Leitungswasser in den Kessel füllen.
- Sicherheitsverschluss wieder fest auf das Gerät schrauben.

Gerät einschalten

- Das Gerät auf festen Untergrund stellen.
- Netzstecker in eine Steckdose stecken. Kontrolllampe muss leuchten.

Hinweis

Nach circa 3 Minuten ist der Dampfreiniger funktionsbereit.

- Kindersicherung oben drücken.
- Den Dampfhebel betätigen, damit Dampf auströmt.

Hinweise

- Bei Erstinbetriebnahme kann aus der Dampfdüse eine kleine Rauchwolke austreten. Das Gerät benötigt eine kurze Einlaufzeit. Zu Beginn ist der Dampfaustritt sehr unregelmäßig und feucht, auch einzelne Wassertropfen können austreten. Die ausströmende Dampfmenge nimmt stetig zu bis nach ca. einer Minute die maximale Menge erreicht ist.
- Während der Reinigungsarbeit das Gerät nicht zu sehr seitlich kippen (max. Winkel 30°). Der Dampfreiniger „spuckt“ sonst Wasser.

Wasser nachfüllen

Wasser in den Kessel nachfüllen ist erforderlich wenn beim Arbeiten die Dampfmenge weniger wird und zum Schluss kein Dampf mehr kommt.

Hinweis

Der Sicherheitsverschluss lässt sich nicht öffnen, solange noch ein geringer Druck im Kessel vorhanden ist.

- Dampftaste drücken, bis kein Dampf mehr auströmt. Der Kessel des Gerätes ist nun drucklos.
- Kindersicherung unten drücken.
- Netzstecker aus der Steckdose ziehen.
- Sicherheitsverschluss vom Gerät abschrauben.
- Maximal 200 ml frisches Leitungswasser in den Kessel füllen.
- Sicherheitsverschluss wieder fest auf das Gerät schrauben.
- Netzstecker in eine Steckdose stecken.
- Kindersicherung oben drücken.
Der Dampfreiniger ist einsatzbereit.

Gerät ausschalten

- Kindersicherung unten drücken.
- Netzstecker aus der Steckdose ziehen.

Gerät aufbewahren

Abbildung **G**

- Wasser ausgießen.

Abbildung **H**

- Netzanschlussleitung um den Wassertank wickeln und mit dem Kabelhalter befestigen.
- Zubehör trocknen lassen und anschließend in der Zubehörtasche verstauen.
- Gerät an einem trockenen und frostsicheren Ort lagern.

Anwendung des Zubehörs

Wichtige Anwendungshinweise

Bodenflächen reinigen

Es wird empfohlen vor dem Einsatz des Dampfreinigers den Boden zu kehren oder zu saugen. So wird der Boden bereits vor der Feuchtreinigung von Schmutz/losen Partikeln befreit.

Auffrischen von Textilien

Vor Behandlung mit dem Dampfreiniger bitte immer die Verträglichkeit der Textilien an verdeckter Stelle prüfen: Zuerst Eindampfen, dann trocknen lassen und anschließend auf Farb- oder Formveränderung prüfen.

Reinigung von beschichteten oder lackierten Oberflächen

Beim Reinigen von lackierten oder kunststoffbeschichteten Oberflächen wie z. B. Küchen- und Wohnmöbeln, Türen, Parkett können sich Wachs, Möbelpolitur, Kunststoffbeschichtungen oder Farbe lösen oder Flecken entstehen. Bei der Reinigung dieser Oberflächen ein Tuch kurz eindampfen und damit über die Oberflächen wischen.

ACHTUNG

Dampf nicht auf verleimte Kanten richten, da sich der Umleimer lösen könnte. Das Gerät nicht zum Reinigen von unversiegelten Holz- oder Parkettböden verwenden.

Glasreinigung

Erwärmen Sie bei niedrigen Außentemperaturen, vor allem im Winter, die Fensterscheibe, in dem Sie die gesamte Glasoberfläche leicht eindampfen. So werden Spannungen an der Oberfläche vermieden, die zu Glasbruch führen können.

Anschließend die Fensterfläche mit Handdüse und Überzug reinigen. Verwenden Sie zum Abziehen des Wassers einen Fensterabzieher oder wischen Sie die Flächen trocken.

ACHTUNG

Dampf nicht auf die versiegelten Stellen des Fensterrahmens richten, um diese nicht zu beschädigen.

Dampfdüse / Dampfpistole

Die Dampfdüse bzw. Dampfpistole kann auch ohne Zubehör benutzen werden, zum Beispiel:

- zum Beseitigen von Gerüchen und Falten aus hängenden Kleidungsstücken, indem Sie diese aus einer Entfernung von 10-20 cm bedampfen.
- zum feuchten Staubwischen, indem ein Tuch kurz eingedampft wird und damit über Möbel gewischt wird.

Punktstrahldüse

Je näher die Punktstrahldüse an der verschmutzten Stelle ist, desto höher ist die Reinigungswirkung, da Temperatur und Dampf am Düsenaustritt am höchsten sind. Besonders praktisch zur Reinigung von schwer zugänglichen Stellen, Fugen, Armaturen, Abflüssen, Waschbecken, WCs, Jalousien oder Heizkörpern. Starke Kalkablagerungen können vor dem Dampfreinigen mit Essig oder Zitronensäure beträufelt werden, 5 Minuten einwirken lassen, danach abdampfen.

Rundbürste

Die Rundbürste kann als Ergänzung auf die Punktstrahldüse montiert werden. Durch Bürsten können damit hartnäckige Verschmutzungen leichter entfernt werden.

ACHTUNG

Nicht geeignet zur Reinigung empfindlicher Flächen.

Abbildung **C**

- Rundbürste auf Punktstrahldüse befestigen.

Powerdüse

Die Powerdüse kann als Ergänzung auf die Punktstrahldüse montiert werden.

Die Powerdüse erhöht die Ausströmungsgeschwindigkeit des Dampfes. Daher eignet sie sich gut für die Reinigung von besonders hartnäckigem Schmutz, Ausblasen von Ecken, Fugen usw.

Abbildung **C**

- Powerdüse entsprechend der Rundbürste auf Punktstrahldüse befestigen.

Handdüse

Bitte den Frotteeüberzug über die Handdüse ziehen. Besonders gut geeignet für kleine abwaschbare Flächen, Duschkabinen und Spiegel.

Bodendüse

Geeignet für alle abwaschbaren Wand- und Bodenbeläge, z. B. Steinböden, Fliesen und PVC-Böden. Arbeiten Sie auf stark verschmutzten Flächen langsam, damit der Dampf länger einwirken kann.

Hinweis

Reinigungsmittelrückstände oder Pflegeemulsionen, die sich noch auf der zu reinigenden Fläche befinden, könnten bei der Dampfreinigung zu Schlieren führen, die bei mehrmaliger Anwendung aber verschwinden.

Abbildung **F**

- Bodentuch an Bodendüse befestigen.
- 1 Bodentuch längs falten und Bodendüse darauf stellen.
- 2 Halteklammern öffnen.
- 3 Tuchenden in die Öffnungen legen und fest spannen.
- 4 Halteklammern schließen.

Pflege und Wartung

Ausspülen des Kessels

Kessel des Dampfreinigers nach Beendigung der Arbeit ausspülen.

- Dampfkessel mit Wasser füllen und kräftig schütteln. Dadurch lösen sich Kalkrückstände, die sich auf dem Boden des Dampfkessels abgesetzt haben.
- Wasser ausgießen.

Entkalken des Kessels

Da sich Kalk im Gerät festsetzt, empfehlen wir das Gerät in folgenden Abständen zu entkalken (TF=Tankfüllungen):

Hinweis

Bei kontinuierlicher Verwendung von handelsüblichem destilliertem Wasser ist kein Entkalken des Kessels notwendig.

Härtebereich		° dH	mmol/l	TF
I	weich	0- 7	0-1,3	35
II	mittel	7-14	1,3-2,5	30
III	hart	14-21	2,5-3,8	20
IV	sehr hart	>21	>3,8	15

Hinweis

Die Härte des Leitungswassers können Sie bei Ihrem Wasserwirtschaftsamt oder den Stadtwerken erfragen.

- Netzstecker aus der Steckdose ziehen.
- Gerät abkühlen lassen.
- Sicherheitsverschluss vom Gerät abschrauben.

Abbildung **G**

- Vorhandenes Wasser vollständig aus dem Kessel leeren.
- Verwenden Sie zum Entkalken die KÄRCHER Entkalkersticks. Beachten Sie beim Ansetzen der Entkalkerlösung die Dosierungshinweise auf der Verpackung.

ACHTUNG

Vorsicht beim Befüllen und Entleeren des Dampfreinigers. Die Entkalkerlösung kann empfindliche Oberflächen angreifen.

- Füllen Sie die Entkalkerlösung in den Kessel und lassen Sie die Lösung ca. 8 Stunden einwirken.

- Nach 8 Stunden die Entkalkerlösung vollständig ausschütten. Es bleibt noch eine Restmenge Lösung im Dampfkessel, deshalb den Kessel zweibis dreimal mit kaltem Wasser ausspülen, um alle Rückstände des Entkalkers zu entfernen.

Abbildung **G**

- Vorhandenes Wasser vollständig aus dem Kessel leeren.

Pflege des Zubehörs

Hinweis

Bodentuch und Frotteeüberzug sind bereits vorgewaschen und können sofort zum Arbeiten mit dem Dampfreiniger verwendet werden.

- Waschen Sie verschmutzte Bodentücher und Frotteeüberzüge bei 60°C in der Waschmaschine. Verwenden Sie keinen Weichspüler, damit die Tücher den Schmutz gut aufnehmen können. Die Tücher sind für den Trockner geeignet.

Hilfe bei Störungen

Störungen haben oft einfache Ursachen, die Sie mit Hilfe der folgenden Übersicht selbst beheben können. Im Zweifelsfall oder bei hier nicht genannten Störungen wenden Sie sich bitte an den autorisierten Kundendienst.

Verringerte Dampfmenge

Gerät ist verkalkt.

- Gerät entkalken.

Dampf lässt bei der Arbeit nach / kein Dampf

Kein Wasser im Wassertank.

- Wasser nachfüllen.

Dampfstaste lässt sich nicht drücken.

- Kindersicherung oben drücken (Dampfstaste entsperrt).

Dampfdüse ist verstopft

- Zubehör von der Dampfdüse entfernen.
- Düseneinsatz reinigen.
- Gerät kurz in Betrieb nehmen.
- Zubehör wieder auf die Dampfdüse stecken.

Hoher Wasseraustrag

- Während der Reinigungsarbeit das Gerät nicht zu sehr seitlich kippen (max. Winkel 30°).

Technische Daten

Elektrischer Anschluss

Spannung	220-240 V 1~50/60 Hz
----------	-------------------------

Schutzgrad	IP X4
------------	-------

Schutzklasse	I
--------------	---

Leistungsdaten

Heizleistung	1200 W
--------------	--------

Betriebsdruck max.	0,3 MPa
--------------------	---------

Aufheizzeit	3 Minuten
-------------	-----------

Dampfmenge	
------------	--

Dauerdampfen	35 g/min
--------------	----------

Dampfstoß max.	80 g/min
----------------	----------

Maße

Volumen Dampfkessel	250 ml
------------------------	--------

Füllmenge	200 ml
-----------	--------

Länge	321 mm
-------	--------

Breite	127 mm
--------	--------

Höhe	186 mm
------	--------

Gewicht (ohne Zubehör)	1,5 kg
------------------------	--------

Technische Änderungen vorbehalten!

Table des matières

Consignes de sécurité pour nettoyeur à vapeur	FR	5
Description de l'appareil	FR	9
Instructions abrégées	FR	9
Fonctionnement	FR	9
Utilisation des accessoires	FR	10
Entretien et maintenance	FR	11
Assistance en cas de panne	FR	12
Caractéristiques techniques	FR	12

Cher client,



Lire cette notice originale avant la première utilisation de votre appareil, se conformer selon ce qu'elle requiert et la conserver pour une utilisation ultérieure ou pour le propriétaire futur.

Utilisation conforme

N'utiliser le nettoyeur à vapeur que pour le secteur privé.

L'appareil est destiné au nettoyage avec de la vapeur et peut être utilisé avec les accessoires appropriés de la manière décrite dans les présentes instructions de service. Il ne nécessite aucun détergent. Respecter en particulier pour cela les consignes de sécurité.

Protection de l'environnement



Les matériaux constitutifs de l'emballage sont recyclables. Ne pas jeter les emballages dans les ordures ménagères, mais les remettre à un système de recyclage.



Les appareils usés contiennent des matériaux précieux recyclables lesquels doivent être apportés à un système de recyclage. Pour cette raison, utilisez des systèmes de collecte adéquats afin d'éliminer les appareils usés.

Instructions relatives aux ingrédients (REACH)

Les informations actuelles relatives aux ingrédients se trouvent sous :

www.kaercher.com/REACH

Pièces de rechange

Utiliser uniquement des pièces de rechange de la marque Kärcher®. Vous trouverez une liste des pièces de rechanges à la fin de cette notice.

Contenu de livraison

L'étendue de la fourniture de votre appareil figure sur l'emballage. Lors du déballage, contrôler l'intégralité du matériel.

S'il manque des accessoires ou en cas de dommages imputables au transport, informer immédiatement le revendeur.

Garantie

Dans chaque pays, les conditions de garantie en vigueur sont celles publiées par notre société de distribution responsable. Les éventuelles pannes sur l'appareil sont réparées gratuitement dans le délai de validité de la garantie, dans la mesure où celles-ci relèvent d'un défaut matériel ou d'un vice de fabrication. En cas de recours en garantie, adressez-vous à votre revendeur ou au service après-vente agréé le plus proche munis de votre preuve d'achat. (Adresse au dos)

Consignes de sécurité pour nettoyeur à vapeur

- *En plus des consignes figurant dans ce mode d'emploi, les règles générales de sécurité et de prévention des accidents imposées par la loi doivent être respectées.*
- *Afin d'assurer un fonctionnement sans danger, les avertissements et les consignes placés sur l'appareil doivent être respectés.*

Niveaux de danger

DANGER

Signale la présence d'un danger imminent entraînant de graves blessures corporelles et pouvant avoir une issue mortelle.

AVERTISSEMENT

Signale la présence d'une situation éventuellement dangereuse pouvant entraîner de graves blessures corporelles et même avoir une issue mortelle.

PRÉCAUTION

Remarque relative à une situation potentiellement dangereuse pouvant entraîner des blessures légères.

ATTENTION

Remarque relative à une situation éventuellement dangereuse pouvant entraîner des dommages matériels.

Composants électriques

⚠ DANGER

- *Ne pas utiliser l'appareil dans des piscines qui contiennent de l'eau.*
- *Ne pas orienter directement le jet de vapeur sur des moyens d'exploitation qui contiennent des composants électriques, comme par ex. la porte intérieur d'un four.*
- *Ne pas remplir des appareils sans réservoir d'eau amovible directement à au raccord d'alimentation en eau s'il est raccordé au réseau électrique. Au lieu de cela, utiliser un récipient pour le remplissage.*
- *Vérifier l'état correct de l'appareil et des accessoires, notamment le câble d'alimentation électrique, la fermeture de sécurité et le flexible vapeur.*
Ne pas utiliser l'appareil s'il est endommagé.
- *Un câble d'alimentation endommagé doit immédiatement être remplacé par le service après-vente ou un électricien agréé.*
- *Un flexible de vapeur endommagé doit immédiatement être remplacé. N'utiliser qu'un flexible vapeur recommandé par le fabricant.*
- *Ne jamais saisir la fiche secteur ni la prise de courant avec des mains humides.*

- *Pour effectuer des travaux de maintenance, la fiche de secteur doit obligatoirement être débranchée et le nettoyeur à vapeur doit être refroidi.*
- *Seul le service après-vente agréé est autorisé à effectuer des travaux de réparation sur l'appareil.*
- *La liaison entre le câble d'alimentation et le câble de rallonge ne doit jamais se trouver dans l'eau.*

⚠ AVERTISSEMENT

- *L'appareil doit uniquement être raccordé à un branchement électrique mis en service par un électricien conformément à la norme IEC 60364.*
- *Branchement l'appareil uniquement à du courant alternatif. La tension doit être identique avec celle indiquée sur la plaque signalétique de l'appareil.*
- *Dans les pièces humides, telles que les salles de bain, exploiter l'appareil uniquement s'il est raccordé à une prise munie d'un disjoncteur de protection FI placé en amont.*
- *Utiliser uniquement des câbles de rallonge dotés d'une protection contre les projections d'eau d'une section d'au moins 3x1 mm².*
- *Remplacer des raccords de branchement au secteur ou de câble de rallonge unique-*

ment par des raccords ayant la même protection contre les projections d'eau et la même résistance mécanique.

- Attention lors du nettoyage de murs carrelés avec prises électriques.

△ PRÉCAUTION

- Veiller à ne pas abîmer ni endommager le câble d'alimentation ni le câble de rallonge en roulant dessus, en les coinçant ni en tirant violemment dessus. Protéger les câbles d'alimentation contre la chaleur, l'huile et les bords tranchants.

Manipulation fiable

△ DANGER

- L'utilisateur doit utiliser l'appareil de façon conforme. Il doit prendre en considération les données locales et lors du maniement de l'appareil, il doit prendre garde aux tierces personnes, et en particulier aux enfants.
- Il est interdit d'utiliser l'appareil dans des domaines présentant des risques d'explosion.
- Si l'appareil est utilisé dans des zones dangereuses, tenir compte des consignes de sécurité correspondantes.
- Ne pas utiliser l'appareil s'il est tombé, s'il présente des dommages visibles ou s'il fuit.
- Ne pas pulvériser de vapeur sur des objets contenant des

substances toxiques (par exemple de l'amiante).

- Ne jamais mettre la main à courte distance du jet de vapeur, ou diriger celui-ci sur des personnes ou des animaux (risque de brûlure).
- Ne jamais ouvrir la fermeture de maintenance / sécurité pendant le fonctionnement. Faire refroidir l'appareil au préalable.
- Ne pas ajouter de détergent ni aucun autre additif !
- Risque de brûlure si la chaudière est chaude. Avant d'ajouter de l'eau, faire refroidir la chaudière.
- Risque de brûlure en raison d'une grande évacuation d'eau si l'appareil est basculé latéralement en cas d'utilisation de plus de 30°.

△ AVERTISSEMENT

- L'appareil ne doit jamais être utilisé par des enfants ni par des personnes non avisées.
- Cet appareil n'est pas destiné à être utilisé par des personnes ayant des capacités physiques, sensorielles ou mentales réduites ou manquant d'expérience et/ou de connaissances, sauf si ces mêmes personnes sont sous la supervision d'une personne responsable de leur sécurité ou ont été formées à l'utilisation de l'appareil.

- *Les enfants ne doivent pas jouer avec l'appareil.*
 - *Surveiller les enfants pour s'assurer qu'ils ne jouent pas avec l'appareil.*
 - *Tenir l'appareil à l'écart des enfants lorsqu'il est en marche ou tant qu'il n'est pas encore refroidi.*
 - *N'utiliser ou ne stocker l'appareil que conformément à la description ou à la figure !*
 - *Ne pas bloquer le levier de vapeur pendant le fonctionnement.*
 - *Mettre l'appareil en marche uniquement s'il y a de l'eau dans la chaudière. Dans le cas contraire, l'appareil risque de surchauffer (voir Aide en cas de défaut).*
 - *De l'eau très chaude risque de s'égoutter lors du déboîtement des accessoires ! Laisser refroidir l'appareil.*
 - *Ne jamais enlever les accessoires de l'appareil tant que de la vapeur sort !*
- △ PRÉCAUTION**
- *Avant d'effectuer toute opération avec ou sur l'appareil, en assurer la stabilité afin d'éviter tout accident ou tout endommagement dû à une chute de l'appareil.*
 - *Ne jamais remplir le réservoir de solvants, de liquides contenant des solvants ou d'acides non dilués (tels que détergents, essence, diluants pour peinture et acétone), car*

ceux-ci attaquent les matériaux constituant l'appareil.

- *Ne jamais laisser l'appareil sans surveillance lorsqu'il est en marche.*

ATTENTION

- *Lors de pauses prolongées et après utilisation, mettre l'appareil hors service au niveau de l'interrupteur principal / de l'interrupteur de l'appareil et débrancher la fiche secteur.*
- *Ne pas exploiter l'appareil à des températures inférieures à 0 °C.*
- *Protéger l'appareil de la pluie. Ne pas l'entreposer à l'extérieur.*

Détartrage de la chaudière

△ PRÉCAUTION

- *Pendant le détartrage, ne pas revisser la fermeture de sécurité sur l'appareil.*
- *Ne jamais utiliser le nettoyeur à vapeur tant que la chaudière contient encore du détartrant.*
- *Prudence lors du remplissage et du vidage du nettoyeur vapeur avec la solution détartrante. La solution détartrante peut attaquer les surfaces sensibles.*

Dispositifs de sécurité

PRÉCAUTION

- *Le but des dispositifs de sécurité est de protéger l'utilisateur. Ils ne doivent en aucun cas être transformés ou désactivés.*

Symboles sur l'appareil

Symboles en fonction du type de l'appareil.

PRÉCAUTION



Pendant l'usage, les surfaces de l'appareil pourront s'échauffer!



Risque d'ébouillantage par la vapeur!



Lire les instructions de service !

Description de l'appareil

Ces instructions de service décrivent l'équipement maximum. Suivant le modèle, la fourniture peut varier (voir l'emballage).

→ **Illustrations, cf. côté escamotable !**



- A1 Fermeture de sécurité
- A2 Orifice de remplissage de l'eau
- A3 Touche vapeur
- A4 Sécurité enfants
- A5 Poignée de transport
- A6 Câble d'alimentation secteur avec fiche secteur
- A7 Attache-câble
- A8 Témoin de contrôle (vert) – courant disponible
- A9 Chaudière à vapeur / réservoir d'eau
- A10 Buse vapeur
- A11 Touche de déverrouillage
- B1 Pistolet à vapeur
- B2 Touche de déverrouillage
- B3 Flexible vapeur
- B4 Connecteur vapeur
- C1 Buse à jet crayon
- C2 Brosse ronde
- C3 Injecteur de force
- D1 Buse manuelle
- D2 Housse en tissu éponge
- E1 Tubes de rallonge (2 pièces)

- E2 Touche de déverrouillage
- F1 Buse pour sol
- F2 Agrafes de retenue
- F3 Chiffon de sol
- G1 Sac d'accessoires

Instructions abrégées

→ **Illustrations voir page 2**

Illustration **1**

- Dévisser la fermeture de sécurité de l'appareil.
- Verser au maximum 200 ml d'eau propre du robinet dans la chaudière.

Illustration **2**

- Visser la fermeture de sécurité.

Illustration **3**

- Brancher la fiche secteur dans une prise de courant.
Le témoin lumineux est allumé en vert.

Illustration **4**

- Le nettoyeur vapeur est prêt à fonctionner au bout de 3 minutes environ.

Illustration **5**

- Raccorder l'accessoire à la buse vapeur ou à la poignée vapeur.

Illustration **6**

- Appuyer sur la sécurité enfants vers le haut (touche vapeur déverrouillée).
- Appuyer sur la touche vapeur.
Le nettoyeur à vapeur est opérationnel.

Fonctionnement

Montage des accessoires

Illustration **A – C**

- Si nécessaire, raccorder l'accessoire requis (cf. chapitre « Utilisation des accessoires » à la buse vapeur ou à la poignée vapeur.
- Pour cela, enficher l'extrémité ouverte de l'accessoire sur la buse vapeur ou sur la poignée vapeur et pousser jusqu'à ce que la touche de déverrouillage de la buse vapeur ou de la poignée vapeur s'enclenche.

Illustration **E**

- Si nécessaire, utiliser les tubes de rallonge. Connecter pour cela un ou deux tubes de rallonge avec le pistolet de vapeur. Placer l'accessoire requis sur l'extrémité libre du tube de rallonge.

Démontage des accessoires

- Appuyer sur la sécurité enfants vers le bas (touche vapeur verrouillée).

Illustration **D**

- Pour retirer les accessoires, appuyer sur la touche de déverrouillage et déboîter les pièces.

Remplissage de l'eau

Remarque

- En cas d'utilisation exclusive d'eau distillée (en vente dans le commerce), il n'est pas nécessaire de détartre la chaudière.
- L'utilisation d'eau chaude permet de réduire la durée de chauffage.
- Dévisser la fermeture de sécurité de l'appareil.
- Verser au maximum 200 ml d'eau propre du robinet dans la chaudière.
- Revisser correctement la fermeture de sécurité sur l'appareil.

Mise sous tension de l'appareil

- Poser l'appareil sur un support stable.
- Brancher la fiche secteur dans une prise de courant.
Le témoin lumineux doit être allumé.

Remarque

Le nettoyeur vapeur est prêt à fonctionner au bout de 3 minutes environ.

- Appuyer sur la sécurité enfants vers le haut.
- Actionner le levier de vapeur pour faire sortir la vapeur.

Remarque

- Lors de la première mise en service, un petit nuage de fumée risque de sortir de la buse. L'appareil n'a besoin que d'une courte phase de mise en route. Au début, la vapeur sort de façon irrégulière et humide et de petites gouttes d'eau risquent de couler. La quantité de vapeur s'échappant augmente constamment jusqu'à obtention de la quantité maximale après une minute environ.
- Pendant le travail de nettoyage, ne pas trop basculer l'appareil sur le côté (angle max. 30°). Sinon le nettoyeur vapeur « crache » de l'eau.

Appoint en eau

Il est nécessaire de remplir de l'eau dans la chaudière lorsque la quantité de vapeur diminue pendant le travail et qu'il finit par ne plus sortir de vapeur.

Remarque

Il est impossible d'ouvrir la fermeture de sécurité tant qu'il reste encore un minimum de pression dans la chaudière.

- Appuyez sur la touche vapeur jusqu'à ce que la vapeur soit intégralement évacuée. La chaudière de l'appareil est maintenant hors pression.
- Appuyer sur la sécurité enfants vers le bas.
- Retirer la fiche secteur de la prise de courant.
- Dévisser la fermeture de sécurité de l'appareil.
- Verser au maximum 200 ml d'eau propre du robinet dans la chaudière.
- Revisser correctement la fermeture de sécurité sur l'appareil.
- Brancher la fiche secteur dans une prise de courant.
- Appuyer sur la sécurité enfants vers le haut.
Le nettoyeur à vapeur est opérationnel.

Mise hors tension de l'appareil

- Appuyer sur la sécurité enfants vers le bas.
- Retirer la fiche secteur de la prise de courant.

Ranger l'appareil

Illustration

- Vider l'eau.

Illustration

- Enrouler le câble d'alimentation autour du réservoir d'eau et le fixer à l'aide du porte-câble.
- Faire séchoir l'accessoire puis le ranger dans le sac d'accessoires.
- Stocker l'appareil dans un endroit sec et à l'abri du gel.

Utilisation des accessoires

Conseils d'utilisation importants

Nettoyage de sols

Il est recommandé de balayer ou d'aspirer le sol avant d'utiliser le nettoyeur à vapeur. Le sol est ainsi libéré de salissures / de particules volatiles avant le nettoyage humide.

Rafraîchissement des textiles

Avant le traitement avec le nettoyeur à vapeur, toujours contrôler la compatibilité des textiles à un endroit discret : d'abord appliquer de la vapeur, puis laisser sécher et enfin contrôler les modifications de couleur ou de forme.

Nettoyage de surfaces enduites ou vernies

Lors du nettoyage des surfaces peintes ou à revêtement plastique, comme par exemple les meubles de cuisine et de salle de séjour, les portes, les parquets, la cire, le poli des meubles, les revêtements plastiques ou la couleur peuvent se détacher ou des tâches peuvent se former. Pour nettoyer ces surfaces, mettre un peu de vapeur sur un chiffon puis nettoyer les surfaces.

ATTENTION

Ne pas orienter la valeur sur des arêtes collées car la colle pourrait se désolidariser. Ne pas utiliser l'appareil pour le nettoyage de l'appareil de sols en parquet ou en bois non vitrifiés.

Nettoyage de surfaces vitrées

Lorsque les températures sont basses, avant tout en hiver, chauffer les vitres en appliquant légèrement de la vapeur sur la surface de verre totale. Les tensions sur la surface qui pourraient entraîner un bris sont ainsi évitées.

Nettoyer enfin la fenêtre avec la buse manuelle et la housse douce. Pour retirer l'eau, utiliser une raclette pour vitre ou essuyer les surfaces au sec.

ATTENTION

Ne pas appliquer de vapeur sur les points colmatés du cadre de fenêtre pour ne pas les endommager.

Buse vapeur / poignée vapeur

La buse vapeur ou la poignée vapeur peut être également utilisée sans accessoire, par exemple :

- pour éliminer les odeurs et les plis de vêtements accrochés en appliquant de la vapeur à une distance d'environ 10 à 20 cm.
- pour le dépeussierage humide en imbibant un chiffon de vapeur et en frottant avec sur les meubles.

Buse à jet crayon

Plus la buse à jet crayon est proche de l'endroit sale, plus l'action de nettoyage est élevée car la température et la vapeur sont les plus élevées à la sortie de la buse. Particulièrement pratique pour le nettoyage d'endroits difficilement accessibles, de joints, robinetteries, écoulements, lavabos, WC, stores ou radiateurs. Les dépôts importants de tartre peuvent être vaporisés avec du vinaigre ou de l'acide citrique avant le nettoyage à la vapeur ; laisser agir 5 minutes puis passer à la vapeur.

Brosse ronde

La brosse ronde peut être montée en tant que complément sur la buse à jet crayon. Les brosses viennent plus facilement à bout des encrassements tenaces.

ATTENTION

Non appropriée pour le nettoyage de surfaces sensibles.

Illustration **G**

→ Fixer la brosse ronde sur la buse à jet crayon.

Injecteur de force

La buse de puissance peut être montée en tant que complément sur la buse à jet crayon.

La buse de puissance permet d'augmenter la vitesse d'émission de la vapeur. Elle est de ce fait bien adaptée au nettoyage de salissures particulièrement récalcitrantes, au soufflage de coins, de joints, etc.

Illustration **G**

→ Fixer la buse de puissance en fonction de la brosse ronde sur la buse à jet crayon.

Buse manuelle

Veillez enfiler la housse en tissu éponge sur la buse manuelle. Particulièrement bien appropriée pour les petites surfaces lavables, les cabines de douche et les miroirs.

Buse de base

Appropriée pour tous les revêtements de sol et de mur lavables, par ex. sols de pierre, carrelages et sols en PVC. Travailler lentement sur des surfaces très sales afin que la vapeur puisse agir plus longtemps.

Remarque

Les résidus de détergent ou les émulsions d'entretien qui se trouvent encore sur la surface à nettoyer peuvent provoquer la formation de stries lors du lavage à la vapeur qui disparaissent toutefois en cas d'applications multiples.

Illustration **F**

→ Fixer le chiffon de sol sur la buse de sol.

- 1 Plier le chiffon de sol dans le sens longitudinal et mettre la buse de sol dessus.
- 2 Ouvrir les pinces de serrage.
- 3 Introduire les extrémités du chiffon dans les ouvertures.
- 4 Fermer les pinces de serrage.

Entretien et maintenance

Rinçage de la chaudière

Rincer la chaudière du nettoyeur vapeur à la fin de chaque nettoyage.

- Remplir la chaudière avec de l'eau et agiter énergiquement. Ceci permet de décoller les résidus de tartre qui se sont déposés au fond de la chaudière.
- Vider l'eau.

Détartrage de la chaudière

Comme des dépôts calcaires se forment sur les parois, nous recommandons de détartre l'appareil aux intervalles suivants (TF=remplissage du réservoir) :

Remarque

En cas d'utilisation exclusive d'eau distillée (en vente dans le commerce), il n'est pas nécessaire de détartre la chaudière.

Dureté		° dH	mmol/l	TF
I	doux	0- 7	0-1,3	35
II	moyen	7-14	1,3-2,5	30
III	dur	14-21	2,5-3,8	20
IV	très dur	>21	>3,8	15

Remarque

Pour connaître la dureté de l'eau du robinet, contactez le service public des eaux ou les administrations municipales.

- Retirer la fiche secteur de la prise de courant.
- Laisser refroidir l'appareil.
- Dévisser la fermeture de sécurité de l'appareil.

Illustration **G**

- Vider complètement l'eau se trouvant dans la chaudière.
- Utiliser pour le détartage les bâtonnets de détartage KÄRCHER. Respecter lors du chargement de la solution de détartage les instructions de dosage sur l'emballage.

ATTENTION

Prendre des précautions appropriées pour le remplissage et le vidage du nettoyeur à vapeur. La solution de détartage peut attaquer les surfaces délicates.

- Remplissez la chaudière de solution de détartage et laissez agir la solution durant env. 8 heures.
- Au bout de 8 heures, vider complètement la solution de détartage. Vu qu'une quantité résiduelle de solution reste dans le réservoir de l'appareil, rincer deux à trois fois le réservoir à l'eau froide afin d'éliminer tous les restes de détartage.

Illustration **G**

- Vider complètement l'eau se trouvant dans la chaudière.

Entretien des accessoires

Remarque

Le chiffon de sol et la housse en tissu éponge sont prélavés ; ils peuvent donc être immédiatement utilisés avec le nettoyeur à vapeur.

- Laver les chiffons pour sol et les housses en tissu éponge sales à 60°C en machine. Ne pas utiliser d'assouplissant de manière à ce que les chiffons puissent absorber convenablement la saleté. Les chiffons supportent le séchoir.

Assistance en cas de panne

Les pannes ont souvent des causes simples auxquelles il est facile de remédier soi-même à l'aide de la liste suivante. En cas de doute ou de panne non citée ici, s'adresser au service après-vente agréé.

Réduction de la quantité de vapeur

L'appareil est entartré.

- Détartrer l'appareil.

La quantité de vapeur diminue durant l'utilisation / pas de vapeur

Il n'y a pas d'eau dans le réservoir d'eau.

- Appoint en eau

Il n'est pas possible d'appuyer sur la touche vapeur.

La touche vapeur est sécurisée par la sécurité enfants.

- Appuyer sur la sécurité enfants vers le haut (touche vapeur déverrouillée).

Buse vapeur obturée

- Enlever l'accessoire de la buse vapeur.
- Nettoyer l'embout de la buse.
- Mettre brièvement l'appareil en service.
- Insérer de nouveau l'accessoire dans la buse vapeur.

Forte sortie d'eau

- Pendant le travail de nettoyage, ne pas trop basculer l'appareil sur le côté (angle max. 30°).

Caractéristiques techniques

Branchement électrique

Tension	220-240 V 1~50/60 Hz
---------	-------------------------

Degré de protection	IP X4
---------------------	-------

Classe de protection	I
----------------------	---

Performances

Puissance de chauffage	1200 W
------------------------	--------

Pression de service max.	0,3 MPa
--------------------------	---------

Temps de chauffage	3 Minutes
--------------------	-----------

Débit de vapeur	
-----------------	--

Vapeur en continu	35 g/min
-------------------	----------

Sortie de vapeur maxi	80 g/min
-----------------------	----------

Dimensions

volumes	250 ml
---------	--------

Capacité de la chaudière	
--------------------------	--

Contenance	200 ml
------------	--------

Longueur	321 mm
----------	--------

Largeur	127 mm
---------	--------

Hauteur	186 mm
---------	--------

Poids (sans accessoire)	1,5 kg
-------------------------	--------

Sous réserve de modifications techniques !

Índice de contenidos

Instrucciones de seguridad	ES	5
Descripción del aparato	ES	9
Descripción breve	ES	9
Funcionamiento	ES	9
Empleo de los accesorios	ES	10
Cuidados y mantenimiento	ES	11
Ayuda en caso de avería	ES	12
Datos técnicos	ES	12

Estimado cliente:



Antes del primer uso de su aparato, lea este manual original, actúe de acuerdo a sus indicaciones y guárdelo para un uso posterior o para otro propietario posterior.

Uso previsto

Utilice la limpiadora a vapor exclusivamente para el uso particular.

El aparato está destinado a la limpieza con vapor y se puede utilizar con accesorios apropiados como los que se indican en este manual de instrucciones. No es necesario ningún detergente. Es importante que respete las indicaciones de seguridad.

Protección del medio ambiente



Los materiales de embalaje son reciclables. Por favor, no tire el embalaje a la basura doméstica; en vez de ello, entréguelo en los puntos oficiales de recogida para su reciclaje o recuperación.



Los aparatos viejos contienen materiales valiosos reciclables que deberían ser entregados para su aprovechamiento posterior. Por este motivo, entregue los aparatos usados en los puntos de recogida previstos para su reciclaje.

Indicaciones sobre ingredientes (REACH)

Encontrará información actual sobre los ingredientes en:

www.kaercher.com/REACH

Piezas de repuesto

Emplear únicamente repuestos originales de KÄRCHER. Al final de este manual de instrucciones encontrará un listado resumido de repuestos.

Volumen del suministro

El contenido de suministro de su aparato está ilustrado en el embalaje. Verifique durante el desembalaje que no falta ninguna pieza.

En caso de detectar que faltan accesorios o o que han surgido daños durante el transporte, informe a su distribuidor.

Garantía

En todos los países rigen las condiciones de garantía establecidas por nuestra empresa distribuidora. Las averías del aparato serán subsanadas gratuitamente dentro del período de garantía, siempre que se deban a defectos de material o de fabricación. En un caso de garantía, le rogamos que se dirija con el comprobante de compra al distribuidor donde adquirió el aparato o al servicio al cliente autorizado más próximo a su domicilio. (La dirección figura al dorso)

Instrucciones de seguridad

- Además de las indicaciones contenidas en este manual de instrucciones, deben respetarse las normas generales vigentes de seguridad y prevención de accidentes.
- Las placas de advertencia e indicadoras colocadas en el aparato proporcionan indicaciones importantes para un funcionamiento seguro.

Niveles de peligro

PELIGRO

Aviso sobre un riesgo de peligro inmediato que puede provocar lesiones corporales graves o la muerte.

ADVERTENCIA

Aviso sobre una situación probablemente peligrosa que puede provocar lesiones corporales graves o la muerte.

PRECAUCIÓN

Indicación sobre una situación que puede ser peligrosa, que puede acarrear lesiones leves.

CUIDADO

Aviso sobre una situación probablemente peligrosa que puede provocar daños materiales.

Componentes eléctricos

PELIGRO

- No utilizar el aparato en piscinas que contengan agua.
- No dirigir el chorro de vapor directamente sobre equipos de producción que contengan

componentes eléctricos, como p. ej. el interior de hornos.

- No llenar los equipos sin depósito de agua extraíble directamente a través de la toma de agua, mientras esté conectado a la red. Utilizar en su lugar un recipiente para rellenarlo.
- Examinar el estado del equipo y el accesorio, especialmente el cable de conexión, el cierre de seguridad y la manguera de vapor. No utilizar el aparato si está dañado.
- Si el cable de conexión a la red estuviera dañado, debe pedir inmediatamente a un electricista especializado del servicio técnico autorizado que lo sustituya.
- Cambiar inmediatamente el tubo de vapor dañado. Solo debe utilizarse una manguera de vapor recomendada por el fabricante.
- No tocar nunca la clavija ni el enchufe con manos húmedas.
- Antes de efectuar los trabajos de mantenimiento, desenchufe el dispositivo limpiador de vapor de la red y espere a que se enfríe.
- Los trabajos de reparación en el aparato sólo los puede realizar el Servicio técnico autorizado.

- La conexión del cable de conexión a red y del cable alargador no deben sumergirse en agua.

△ **ADVERTENCIA**

- El equipo solo se puede conectar a una toma eléctrica que haya sido instalada por un electricista conforme a IEC 60364.
- Conectar el equipo solo a corriente AC. La tensión tiene que coincidir con la placa de características del equipo.
- En habitaciones húmedas, p. e. baños, conecte el aparato sólo en enchufes con un interruptor de protección de corriente de defecto.
- Utilizar solo prolongadores de protección eléctricos contra los chorros de agua con un corte transversal de 3x1 mm².
- Sustituir los acoplamientos en el cable de conexión a la red o cable prolongador por unos con protección contra salpicaduras de agua y la misma resistencia mecánica.
- Cuidado al limpiar paredes alicatadas con enchufes.

△ **PRECAUCIÓN**

- Tener cuidado de no atropellar, aplastar o tirar del cable de alimentación o el conducto de prolongación para evitar dañarlos o estropearlos. Proteger los cables de alimentación del calor, el aceite y los bordes afilados.

Manipulación segura

⚠ PELIGRO

- *El usuario debe utilizar el equipo de forma correcta. Debe tener en cuenta las situaciones locales y respetar las personas del entorno a la hora de trabajar con el aparato.*
- *Está prohibido el funcionamiento en zonas donde haya riesgo de explosión.*
- *Para usar el aparato en zonas de peligro deben cumplirse las normas de seguridad correspondientes.*
- *No utilizar el aparato si se ha caído antes, o está dañado o no es estanco.*
- *No rocíe objetos que puedan contener sustancias nocivas para la salud (p. ej., asbesto).*
- *No toque nunca de cerca el chorro de vapor ni lo ponga al alcance de personas o animales (peligro de escaldamiento).*
- *No abrir nunca el cierre de mantenimiento/seguridad durante el funcionamiento. Deje enfriar primero el aparato.*
- *No agregue detergente ni ningún otro tipo de aditivo.*
- *Riesgo de quemaduras si la caldera está caliente. Antes de rellenar, dejar enfriar el agua de la caldera.*
- *Riesgo de escaldamiento por gran cantidad de agua cuando el aparato se bascula más*

de 30° hacia el lateral durante el uso.

⚠ ADVERTENCIA

- *Los niños o las personas no instruidas sobre su uso no deben utilizar el aparato.*
- *Este aparato no es apto para ser manejado por personas con incapacidades físicas, sensoriales o intelectuales o falta de experiencia y/o conocimientos, a no ser que sean supervisados por una persona encargada o hayan recibido instrucciones de esta sobre como usar el aparato y qué peligros conlleva.*
- *Los niños no pueden jugar con el aparato.*
- *Supervisar a los niños para asegurarse de que no jueguen con el aparato.*
- *Mantener los aparatos alejados de los niños mientras estén conectados o no se hayan enfriado.*
- *Operar y almacenar el aparato solo de acuerdo con la descripción o la ilustración.*
- *Durante el funcionamiento, la palanca/tecla de vapor no debe estar bloqueada.*
- *Conecte solo el aparato si hay agua en la caldera. De lo contrario, el aparato podría sobrecalentarse (véase la ayuda para las averías).*
- *Tenga cuidado al desacoplar los accesorios, ya que puede gotear agua caliente de ellos. Deje enfriar el aparato.*

- ¡No desconectar el accesorio del aparato mientras esté saliendo vapor!

⚠ **PRECAUCIÓN**

- Antes de realizar cualquier tarea con o en el equipo, estabilizarlo para evitar accidentes o daños si se cae el equipo.
- No echar nunca en la caldera disolventes, líquidos que contengan disolventes o ácidos sin diluir (por ejemplo: detergentes, gasolina, diluyentes cromáticos y acetona), ya que atacan a los materiales utilizados en el aparato.
- No dejar el equipo nunca sin vigilancia mientras esté en funcionamiento.

CUIDADO

- En caso de pausas de trabajo prolongadas y tras su uso, desconectar y desenchufar el aparato con el interruptor principal/interruptor del aparato.
- No operar el equipo a temperaturas inferiores a 0 °C.
- Proteger el aparato de la lluvia. No depositarlo a la intemperie.

Desincrustación de la cal de la caldera

⚠ **PRECAUCIÓN**

- Durante la descalcificación no atornille el cierre de seguridad en el aparato.
- No emplee bajo ningún concepto el dispositivo limpiador de vapor mientras la caldera contenga producto desincrustante.
- Precaución a la hora de rellenar y vaciar la limpiadora a vapor con la solución descalcificante. La solución descalcificadora puede estropear las superficies delicadas.

Dispositivos de seguridad

⚠ **PRECAUCIÓN**

- Los dispositivos de seguridad sirven para proteger al usuario y no se deben modificar o ignorar.

Símbolos en el aparato

Símbolos dependiendo del tipo de equipo.

PRECAUCIÓN



¡Las superficies del aparato probablemente se calientan durante el uso!



¡Peligro de escaldamiento por el vapor!



¡Leer el manual de instrucciones!

Descripción del aparato

En este manual de instrucciones se describe el equipamiento máximo. Según el modelos, hay diferencias en el contenido suministrado (véase embalaje).

→ **Ilustraciones, véase la contraportada.**



- A1 Cierre de seguridad
- A2 Orificio de llenado para agua
- A3 Tecla de vapor
- A4 Seguro para niños
- A5 Asa de transporte
- A6 Cable de conexión a red y enchufe de red
- A7 Portacables
- A8 Piloto de control (verde) de tensión de red disponible
- A9 Caldera de vapor/depósito de agua
- A10 boquilla de salida de vapor
- A11 Tecla de desbloqueo
- B1 Pistola aplicadora de vapor
- B2 Tecla de desbloqueo
- B3 Manguera de vapor
- B4 Conector de vapor
- C1 boquilla de chorro concentrado
- C2 cepillo circular
- C3 boquilla de aumento de la velocidad de salida del vapor
- D1 boquilla de limpieza manual
- D2 Funda de rizo
- E1 Tubos de prolongación (2 unidades)
- E2 Tecla de desbloqueo
- F1 Boquilla barredora de suelos
- F2 Pinza de sujeción
- F3 Paño del suelo
- G1 Bolsa de accesorios

Descripción breve

→ **Ilustraciones, véase la página 2**

Figura **1**

- Desatornille el cierre de seguridad del aparato.
- Llene la caldera con 200 ml de agua fresca potable como máximo.

Figura **2**

- Atornillar el cierre de seguridad.

Figura **3**

- Enchufar la clavija de red a una toma de corriente.
El piloto de control se ilumina en verde.

Figura **4**

- Transcurridos aprox. 3 minutos, el limpiador por rro de vapor está listo para usar.

Figura **5**

- Conectar el accesorio a la boquilla o pistola de vapor.

Figura **6**

- Presionar arriba el seguro para niños (tecla de vapor desbloqueada).
- Pulsar la tecla de vapor.
El dispositivo limpiador de vapor está listo para usar.

Funcionamiento

Montaje de los accesorios

Figura **A – C**

- Si es necesario, conectar los accesorios necesarios (véase el capítulo "Uso de accesorios") con la boquilla o pistola de vapor.
- Para ello meta el extremo abierto del accesorio en la boquilla o pistola de vapor y deslícelo hasta que encaje la tecla de desbloqueo de la boquilla o pistola de vapor.

Figura **E**

- Si fuera necesario, emplee los tubos de prolongación. Para ello, conecte uno o ambos tubos de prolongación a la pistola aplicadora de vapor. Acoplar los accesorios necesarios al extremo libre del tubo de prolongación.

Desacoplamiento de los accesorios

- Presionar abajo el seguro para niños (tecla de vapor bloqueada).

Figura **D**

- Para desacoplar los accesorios, pulse la tecla de desbloqueo y tire de las piezas.

Llenado de agua

Notas

- Si se emplea continuamente un agua destilada de las habituales en el mercado, no es necesario descalcificar la caldera.
- El empleo de agua caliente reduce el tiempo que tarda el agua en calentarse.
- Desatornille el cierre de seguridad del aparato.
- Llene la caldera con 200 ml de agua fresca potable como máximo.
- Vuelva a atornillar el cierre de seguridad en el aparato.

Conexión del aparato

- Coloque el aparato sobre una base firme.
- Enchufar la clavija de red a una toma de corriente.
El piloto de control tiene que iluminarse.

Nota

Transcurridos aprox. 3 minutos, el limpiador por chorro de vapor está listo para usar.

- Pulsar el seguro para niños arriba.
- Accionar la palanca de vapor para que salga este.

Notas

- Durante la primera puesta en marcha, puede salir una pequeña nube de humo de la boquilla de vapor. El aparato precisa un breve periodo de arranque. Al principio, la salida de vapor es irregular y húmeda, también pueden salir algunas gotas de agua. La cantidad de vapor expulsado aumenta de manera continuada hasta que se alcance la cantidad máxima admisible transcurrido aprox. un minuto.
- Durante el trabajo de limpieza, no bascular demasiado el aparato (ángulo máximo 30°). Sino, la limpiadora a vapor "escupe" agua.

Rellenado del depósito con agua

Es necesario rellenar agua en la caldera si la cantidad de vapor se reduce al trabajar y al final no sale más vapor.

Nota

El cierre de seguridad no podrá abrirse mientras la caldera tenga aún una presión baja.

- Presione la tecla de vapor hasta que no salga más vapor. De este modo, se elimina la presión de la caldera del aparato.
- Pulsar el seguro para niños abajo.
- Saque el enchufe de la toma de corriente.
- Desatornille el cierre de seguridad del aparato.
- Llene la caldera con 200 ml de agua fresca potable como máximo.
- Vuelva a atornillar el cierre de seguridad en el aparato.
- Enchufar la clavija de red a una toma de corriente.
- Pulsar el seguro para niños arriba.
El dispositivo limpiador de vapor está listo para usar.

Desconexión del aparato

- Pulsar el seguro para niños abajo.
- Saque el enchufe de la toma de corriente.

Almacenamiento del aparato

Figura G

- Vaciar el agua.

Figura H

- Enrollar el conducto de alimentación alrededor del depósito de agua y fijar con el soporte para cables.
- Dejar secar el accesorio y a continuación guardar en la bolsa de accesorios.
- Guardar el equipo en un lugar seco y protegido de las heladas.

Empleo de los accesorios

Instrucciones de uso importantes

Limpieza de superficies de pisos

Se recomienda barrer o aspirar el suelo antes de usar la limpiadora de vapor. Así se eliminará la suciedad/las partículas sueltas del suelo antes de la limpieza en húmedo.

Refrescar materiales textiles

Antes del tratamiento con el limpiador a vapor, comprobar la tolerancia de los tejidos en una zona oculta: Primero aplicar una gran cantidad de vapor, después dejar secar y a continuación comprobar si hay modificación en el color o la forma.

Limpieza de superficies recubiertas con una capa protectora o barnizadas

Al limpiar superficies lacadas o con revestimiento sintético, como muebles de cocina o salón, puertas, parquet se puede soltar la cera, el producto tratante para muebles, los revestimientos de plástico o el color o bien dejar manchas. Para limpiar estas superficies, aplicar vapor con un paño sobre la superficie.

CUIDADO

No proyecte el chorro de vapor sobre bordes encolados, ya que la cola podría disolverse por efecto del vapor. No emplee el dispositivo limpiador de vapor en suelos de madera o parquet que no estén sellados.

Limpieza de ventanas y superficies acristaladas

Caliente las ventanas previamente en caso de bajas temperaturas exteriores, sobre todo en invierno. Para ello aplique algo de vapor en toda la superficie de cristal. De este modo se evitarán tensiones en la superficie que puedan provocar roturas de cristal.

A continuación se puede limpiar la superficie de la ventana con la boquilla manual y la funda. Para quitar el agua utilizar un limpiacristales o secar las superficies con un paño.

CUIDADO

No aplicar el chorro de vapor sobre zonas selladas del bastidor de la ventana para no dañarlas.

Boquilla/pistola de vapor

La pistola o boquilla aplicadora de vapor también puede utilizarse sin accesorios, por ejemplo:

- para eliminar olores y arrugas de ropa que cuelgue, aplicar vapor desde una distancia de 10-20 cm.
- para quitar el polvo en húmedo, para ello se aplica algo de vapor en un paño y se frota los muebles con el.

Boquilla de chorro concentrado

Cuando más cerca esté de la zona sucia, mayor será el efecto de limpieza, ya que la temperatura y el vapor son más altos en la salida de la boquilla. Muy práctico para limpiar zonas de difícil acceso, juntas, guarniciones, desagües, lavabos, WC, persianas y radiadores. Se puede echar vinagre o ácido cítrico sobre los depósitos grandes de cal antes de limpiar con vapor, dejar actuar durante 5 minutos, después echar vapor.

Cepillo circular

El cepillo redondo se puede montar como complemento de la boquilla de chorro puntual. Mediante el cepillado se puede eliminar fácilmente la suciedad más difícil.

CUIDADO

No apto para la limpieza de superficies delicadas.

Figura **G**

- Fijar el cepillo redondo en la boquilla de chorro puntual.

Boquilla de aumento de la velocidad de salida del vapor

La boquilla para aumentar la velocidad de salida de vapor se puede montar como complemento de la boquilla de chorro puntual.

Esta boquilla permite aumentar la velocidad a la que fluye el vapor. Por eso es apta para la limpieza de suciedad muy incrustada, soplar en esquinas, juntas etc.

Figura **C**

- Fijar la boquilla para ampliar la salida de vapor de acuerdo con el cepillo redondo sobre la boquilla de chorro puntual.

Boquilla de limpieza manual

Cubra la boquilla con la funda de rizo. Ideal para superficies pequeñas lavables, cabinas de ducha y espejos.

Boquilla barredora de suelos

Apto para pavimentos y paredes lavables, como suelos de piedra, azulejos y PVC. Al limpiar superficies muy sucias, pase la boquilla lentamente para que el vapor pueda actuar durante más tiempo.

Nota

Los restos de detergente que aún se encuentren en las superficies a limpiar, podrían provocar estrías al limpiar con el vapor, pero desaparecen tras varios usos.

Figura **F**

- Fijar el paño para suelos a la boquilla para suelos.
- 1 Doblar el paño para suelos a lo largo y colocar la boquilla para suelos encima de él.
 - 2 Abrir las pinzas de sujeción.
 - 3 Colocar los extremos de los paños en los orificios y tensar.
 - 4 Cierre las pinzas de sujeción.

Cuidados y mantenimiento

Enjuague de la caldera

Enjuagar la caldera del limpiador de vapor tras finalizar el trabajo.

- Llenar la caldera de agua y sacudirla fuertemente. Con ello se desprenden los restos de cal que se han quedado depositados en el fondo de la caldera.
- Vaciar el agua.

Desincrustación de la cal de la caldera

Dado que la cal también se incrusta en las paredes del aparato, recomendamos efectuar la descalcificación con la frecuencia indicada a continuación (LLT=llenos de tanque):

Nota

Si se emplea continuamente un agua destilada de las habituales en el mercado, no es necesario descalcificar la caldera.

Grado de dureza	° dH	mmol/l	LLT
I blando	0- 7	0-1,3	35
II medio	7-14	1,3-2,5	30
III duro	14-21	2,5-3,8	20
IV muy duro	>21	>3,8	15

Nota

Para averiguar el grado de dureza del agua de su zona, póngase en contacto con la empresa local de abastecimiento de agua o con su ayuntamiento.

- Saque el enchufe de la toma de corriente.
- Deje enfriar el aparato.
- Desatornille el cierre de seguridad del aparato.

Figura **G**

- Descargue toda el agua de la caldera.
- Utilice las barras descalcificadoras KÄRCHER para descalcificar. Al utilizar la solución antical, respete las indicaciones de dosificación del paquete.

CUIDADO

Tenga especial cuidado al llenar y vaciar el dispositivo limpiador de vapor. El producto desincrustante puede atacar las superficies delicadas.

- Vierta el producto desincrustante en la caldera y déjelo actuar durante aprox. 8 horas.
- Después de 8 horas tire todo el producto desincrustante. Enjuague la caldera dos o tres veces con agua fría hasta estar seguro de que no quedan restos de desincrustante en la misma.

Figura **G**

- Descargue toda el agua de la caldera.

Cuidado de los accesorios

Nota

El paño de limpieza y la funda de rizo se suministran ya lavados, por lo que pueden emplearse directamente con el dispositivo limpiador de vapor.

- Los paños de limpieza y las fundas de rizo pueden lavarse en lavadoras convencionales a una temperatura de 60 °C. Para que los paños conserven la capacidad de absorción de la suciedad, no emplee suavizante. Los paños pueden meterse en la secadora.

Ayuda en caso de avería

Muchas averías las puede solucionar usted mismo con ayuda del resumen siguiente. En caso de duda, diríjase al servicio de atención al cliente autorizado.

Disminución de la cantidad de vapor

El aparato presenta calcificaciones.

→ Descalcifique el aparato.

El vapor disminuye durante el trabajo / no sale vapor

No hay agua en el depósito de agua.

→ Rellenado del depósito con agua

No se puede accionar la tecla del vapor

La tecla de vapor está protegida con el seguro para niños.

→ Presionar arriba el seguro para niños (tecla de vapor desbloqueada).

La boquilla de vapor está atascada

→ Quitar el accesorios de la boquilla de vapor.

→ Limpiar la boquilla.

→ Poner brevemente el aparato en funcionamiento.

→ Insertar de nuevo en la boquilla de vapor.

Mayor salida de agua

→ Durante el trabajo de limpieza, no bascular demasiado el aparato (ángulo máximo 30°).

Datos técnicos

Conexión eléctrica

Tensión	220-240 V 1~50/60 Hz
---------	-------------------------

Grado de protección	IP X4
---------------------	-------

Clase de protección	I
---------------------	---

Potencia y rendimiento

Potencia de calefacción	1200 W
-------------------------	--------

Máx. presión de servicio	0,3 MPa
--------------------------	---------

Tiempo de calefacción	3 Minutos
-----------------------	-----------

Cantidad de vapor

Vapor continuo:	35 g/min
-----------------	----------

Golpe de vapor máx.	80 g/min
---------------------	----------

Medidas

Volumen de Caldera de vapor	250 ml
-----------------------------	--------

Cantidad de llenado	200 ml
---------------------	--------

Longitud	321 mm
----------	--------

Anchura	127 mm
---------	--------

Altura	186 mm
--------	--------

Peso sin accesorios	1,5 kg
---------------------	--------

Reservado el derecho a realizar modificaciones técnicas.

البيانات الفنية

التوصيل الكهربائي

V	240-220	الجهد الكهربائي
Hz	1~50/60	
	IP X4	درجة الحماية
	I	فئة الحماية

بيانات القدرة

W	1200	قدرة التسخين
MPa	0,3	ضغط التشغيل الأقصى
min	3	وقت التسخين
		كمية البخار
g/min	35	التبخير المستمر
g/min	80	أقصى دفعة بخار

الأبعاد

ml	250	السعة غلاية البخار
ml	200	كمية الملء
mm	321	الطول
mm	127	العرض
mm	186	الارتفاع
kg	1,5	الوزن (بدون الملحقات)

جميع حقوق إدخال تعديلات فنية محفوظة!

المساعدة عند حدوث أعطال

الاختلالات غالباً ما تكون ناتجة عن أسباب بسيطة، والتي يمكنك التغلب عليها بنفسك بمساعدة العرض التوضيحي التالي. عند الشك أو حدوث اختلالات لم يتم ذكرها هنا، توجه من فضلك إلى مركز خدمة العملاء المعتمد.

كمية البخار قليلة

- **ترسب الجير في الجهاز.**
- قم بإزالة الجير من الجهاز.

يتناقص البخار أثناء العمل / لا يوجد بخار

- لا يوجد ماء في خزان الماء.
- استكمل ملء الخزان بالماء.
- يتعذر الضغط على زر البخار.
- زر البخار مؤمّن عن طريق وسيلة حماية الأطفال.
- اضغط على وسيلة حماية الأطفال بالأعلى (زر البخار محرز).
- **فوهة البخار مسدودة**
- انزع الملحق من فوهة البخار.
- قم بتنظيف خرطوشة الفوهة.
- قم بتشغيل الجهاز لفترة قصيرة.
- ضع الملحقات ثانيةً على فوهة البخار.
- **تفريغ كمية كبيرة من المياه**
- لا تقم بشي الجهاز بشدة على الأجناب أثناء عملية التنظيف (زاوية الميل القصوى 30°).

- إزالة الترسبات الجيرية استخدم إصبع إزالة الجير KÄRCHER. احرص عند وضع مذيب الترسبات الجيرية على مراعاة إرشادات الجرعة المدونة على عبوة التغليف.

تنبيه

كن حذرًا عند ملء أو تفريغ جهاز التنظيف بالبخار. يمكن أن يؤدي مذيب الترسبات الجيرية إلى حدوث أضرار بالأسطح الحساسة.

- ضع مذيب الترسبات الجيرية في الغلاية، واتركه لمدة 8 ساعات تقريباً.
 - قم بتفريغ مذيب الجير بعد مرور 8 ساعات. لا تزال هناك كمية متبقية من المذيب في غلاية الجهاز، وبالتالي يجب غسل الغلاية من مرتين إلى ثلاث مرات بالماء البارد من أجل إزالة بقايا مزبل الجير.
- صورة إيضاحية [A]
- قم بتفريغ الماء الموجود من الغلاية تمامًا.

العناية بالملحقات

ملحوظة

- يمكن غسل منشفة الأرضية وكيس التنظيف القماشى واستخدامها للعمل على الفور في جهاز التنظيف بالبخار.
- قم بغسل مناشف الأرضية وأكياس التنظيف القماشية المتسخة في الغسالة عند درجة حرارة 60° مئوية. لا تستخدم منع الملابس، حتى تتمكن المناشف من التقاط الاتساخات بصورة جيدة. المناشف مناسبة للاستخدام في المجفف.

العناية والصيانة

شطف الغلاية

اشطف غلاية جهاز التنظيف بالبخار بعد الانتهاء من العمل.

- املاً الغلاية بالماء ورجها بقوة. ومن خلال ذلك تذوب البقايا الجيرية التي تكون قد ترسبت في أرضية الغلاية.
- قم بتفريغ الماء.

إزالة الترسبات الجيرية من الغلاية

نظراً لترسب الجير في الجهاز ننصح بإزالة الجير المترسب من الجهاز تبعاً للفترات التالية (TF = كمية ملء الخزان):

ملحوظة

ليس من الضروري إزالة الترسبات الجيرية من الغلاية في حالة استخدام الماء المقطر المتوافر في الأسواق باستمرار.

TF	mmol/l	Hd °	نطاق الصلابة
35	1,3-0	7-0	I لين
30	2,5-1,3	14-7	II متوسط
20	3,8-2,5	21-14	III صلب
15	3,8<	21<	IV صلب جداً

ملحوظة

يمكنك الاستعلاء عن درجة عصر ماء الصنبور لدى مرفق المياه أو السلطات المحلية.

- اسحب قابس الشبكة من مقبس التوصيل.
- اترك الجهاز حتى يبرد.
- قم بفك سدادة الأمان من الجهاز.

صورة إيضاحية

- قم بتفريغ الماء الموجود من الغلاية تماماً.

صورة

- قم بثبيت فوهة الطاقة على فوهة خروج البخار بما يتوافق مع الفرشاة المستديرة.

فوهة اليد

يرجى سحب كيس التنظيف القماشى فوق الفوهة اليدوية. تتناسب خصيصاً مع الأسطح الصغيرة القابلة للغسل وكبائن الاستحمام والمرابا.

فوهة الأرضية

مناسبة لجميع طبقات الحوائط والأرضيات القابلة للغسل، على سبيل المثال الأرضيات الصخرية والبلاط وأرضيات كلوريد البولي فينيل. تعامل مع الأسطح ذات الانساخت الشديدة ببطء، لأنها تحتاج أن تتعرض لتأثير البخار لمدة أطول.

ملحوظة

بقايا مواد التنظيف ومستحلبات العناية التي تظل على الأسطح المراد تنظيفها، يمكن أن تتسبب في حدوث آثار تلطيخ عند التنظيف بالبخار، إلا أنها تختفي مع الاستخدام المتكرر.

صورة

- قم بثبيت منشفة وفوهة الأرضية.
- 1. قم بفرد منشفة الأرضية طولياً ثم ضع فوهة الأرضية فوقها.
- 2. قم بفتح مشابك الثبيت.
- 3. ضع أطراف المنشفة في الفتحات وثبتها بإحكام.
- 4. أغلق مشابك الثبيت.

- لغسل الأتربة الرطبة، عن طريق توجيه البخار نحو قطعة قماش لفترة قصيرة ثم استخدامها في مسح قطع الأثاث.

فوهة خروج البخار

كلما اقتربت فوهة خروج البخار من الموضع المتسخ، زادت فعالية التنظيف، نظراً لأن درجة الحرارة والبخار يكونان على أقصى درجة عند مخرج الفوهة. وهي بذلك عملية للغاية لتنظيف المواضع التي يصعب الوصول إليها والشقوق والتجهيزات والممرات وأحواض الغسل والمراحيض وحاجبات الشمس بالنوافذ وأسطح التسخين. يمكن رش الترسبات الجيرية القوية بالخل أو حمض الستريك قبل التنظيف بالبخار، واتركه يعمل ويحدث مفعوله لمدة 5 دقائق، ثم قم بالتنظيف بالبخار.

الفرشاة المستديرة

يمكن تركيب الفرشاة المستديرة كجزء مكمل على فوهة خروج البخار. وبالتالي يمكن إزالة الاتساخات العنيدة بسهولة من خلال التنظيف بالفرشاة.

تنبيه

غير مناسبة لتنظيف الأسطح الحساسة.

صورة

- قم بتهيئة الفرشاة المستديرة بفوهة خروج البخار.

فوهة الطاقة

يتم تركيب فوهة الطاقة على فوهة خروج البخار كوسيلة مكملة.

تعمل فوهة الطاقة على زيادة سرعة تدفق البخار. لذا فهي تصلح تماماً لتنظيف الاتساخات العنيدة للغاية فضلاً عن تنظيف الأركان والشقوق بالنفخ.

للتأكد من عدم وجود تغييرات في اللون أو الشكل.

تنظيف الأسطح المغطاة أو المطلية

عند تنظيف الأسطح المطلية أو المغطاة بطبقة من البلاستيك كتلك الموجودة في وحدات المطبخ وقطع الأثاث أو الأبواب أو الباركيه فقد يؤدي ذلك إلى ذوبان الشمع ومواد تلميع الأثاث والطبقات البلاستيكية أو إلى بهتان الألوان أو تكون البقع. عند تنظيف مثل هذه الأسطح قم بتعريض منديل للبخار لفترة قصيرة ثم نظف به الأسطح.

تنبيه

لا توجه البخار بأي حال من الأحوال إلى الحواف المغرأة، نظراً لأن ذلك قد يؤدي إلى فكها. لا تستخدم الجهاز في تنظيف الأرضيات الخشبية أو الباركيه غير المثبتة.

تنظيف الزجاج

قم بتدفئة زجاج النوافذ عندما تكون درجات الحرارة الخارجية منخفضة وخصوصاً في فصل الشتاء، عن طريق توجيه البخار نحو الأسطح الزجاجية بالكامل برفق. وبذلك تتجنب الضغط على الأسطح الزجاجية والذي قد تؤدي إلى حدوث شرخ بالزجاج.

ثم قم بتنظيف سطح النافذة باستخدام فوهة اليد وكيس قماش. للتخلص من الماء استخدم سحابة النوافذ أو قم بتجفيف أسطح النوافذ.

تنبيه

لا توجه البخار إلى مواضع الإحكام الموجودة في إطار النوافذ، حتى لا تتسبب في حدوث أضرار بهذه المواضع.

فوهة البخار / مسدس البخار

يمكن أيضاً استخدام فوهة البخار أو مسدس البخار بدون ملحقات، على سبيل المثال:



- لإزالة الروائح والطيأت من قطع الملابس المعلقة، عن طريق توجيه البخار نحوها من مسافة تبلغ 10-20 سم.

- اضغط على وسيلة حماية الأطفال بالأعلى.
- بهذا يصبح جهاز التنظيف بالبخار في وضع الاستعداد.

إيقاف الجهاز

- اضغط على وسيلة حماية الأطفال بالأسفل.
- اسحب قابس الشبكة من مقبس التوصيل.

تخزين الجهاز

- صورة إيضاحية  صورة إيضاحية 
- قم بتفريغ الماء.
- قم بلف سلك التوصيل الرئيسي حول خزان الماء وقم بتثبيتته بحامل الكابل.
- قم بتجفيف الملحق، وبعد ذلك قم بتخزينه في حقيبة الملحق.
- احفظ الجهاز على موقع جاف مقاوم للتجمد.

استخدام الملحقات

إرشادات استخدام هامة

تنظيف أسطح الأرضيات

يُنصح بضرورة كس الأرضية أو تنظيفها قبل استخدام جهاز التنظيف بالبخار. وذلك يتم تنظيف الأرضية من الأوساخ/ الجزيئات العالقة بها قبل التنظيف الرطب.

إنعاش المنسوجات

قبل التعامل مع جهاز التنظيف بالبخار يرجى التأكد دائماً من توافق المنسوجات مع الجهاز: قم أولاً بتنظيف جزء غير بارز من المنسوجات بالبخار، ثم اتركها تجف، وبعد ذلك افحصها

- قم بتشغيل مفتاح البخار من أجل خروج البخار.

إرشادات

- من الممكن خروج بعض سحب الدخان من فوهة البخار عند التشغيل لأول مرة. يحتاج الجهاز إلى فترات قليلة من الراحة. في البداية يخرج البخار بشكل غير منتظم ورطب ومن الممكن أيضاً أن تخرج بعض قطرات الماء. تزايد كمية البخار الخارجة حتى تصل إلى الدرجة القصوى في خلال دقيقة واحدة تقريباً.
- لا تقم بتبني الجهاز بشدة على الأجناب أثناء عملية التنظيف (زاوية الميل القصوى 30°).
- ولا فإن جهاز التنظيف بالبخار «بتطابير» منه رذاذ ماء.

إعادة ملء الماء

يلزم إعادة ملء الماء في الغلاية إذا أصبحت كمية البخار أقل أثناء العمل ولا يخرج أي بخار في النهاية.

ملحوظة

لا يمكن فتح سداة الأمان طالما كان هناك ضغط قليل في الغلاية.

- اضغط على زر البخار حتى ينتهي خروج البخار تماماً. عندئذ تصبح غلاية الجهاز خالية من الضغط.
- اضغط على وسيلة حماية الأطفال بالأسفل.
- اسحب قابس الشبكة من مقبس التوصيل.
- قم بفك سداة الأمان من الجهاز.
- يمكن ملء الغلاية بحوالي 200 مليلتر كحد أقصى من ماء الصنبور.
- قم بإحكام غلق سداة الأمان على الجهاز مرة أخرى.
- قم بتوصيل قابس الشبكة في مقبس التوصيل.

الدليل المختصر

• الصور الإيضاحية - انظر صفحة 2

صورة 1

- قم بفك سدادة الأمان من الجهاز.
- يمكن ملء الغلاية بحوالي 200 مليلتر كحد أقصى من ماء الصنبور.

صورة 2

- أحكم غلق سدادة الأمان.

صورة 3

- قم بتوصيل قابس الشبكة في مقبس التوصيل.
- مصباح التحكم يضيء باللون الأخضر.

صورة 4

- بعد حوالي 3 دقائق يكون جهاز التنظيف بالبخار في وضع الاستعداد.

صورة 5

- قم بتوصيل الملحقات على فوهة البخار أو مسدس البخار.

صورة 6

- اضغط على وسيلة حماية الأطفال بالأعلى (زر البخار محرز).
- اضغط على زر البخار.
- بهذا يصبح جهاز التنظيف بالبخار في وضع الاستعداد.

التشغيل

تثبيت الملحقات

الصور A-C

- قم بتوصيل الملحقات اللازمة بفوهة البخار أو مسدس البخار عند الحاجة (انظر الفصل "استخدام الملحقات").
- للقيام بذلك ضع الطرف المفتوح للملحق على فوهة البخار أو مسدس البخار ثم

استمر في تحريكه عليه، حتى يثبت زر تحرير فوهة البخار أو مسدس البخار.

صورة E

- استخدم ماسورة تمديد عن الحاجة. ولهذا الغرض قم بتوصيل إحدى أو ماسورتين التمديد بمسدس البخار. قم بتثبيت الملحق اللازم على الطرف الخالي لماسورة التمديد.

فك الملحقات

- اضغط على وسيلة حماية الأطفال بالأعلى (مانع زر البخار).

صورة D

- لفك أجزاء الملحقات اضغط على زر التحرير واسحب الأجزاء بعضها من بعض.

تعبئة الماء

إرشادات

- ليس من الضروري إزالة الترسبات الجيرية من الغلاية في حالة استخدام الماء المقطر المتوافر في الأسواق باستمرار.
- يقلل الماء الدافئ من مدة التسخين.
- قم بفك سدادة الأمان من الجهاز.
- يمكن ملء الغلاية بحوالي 200 مليلتر كحد أقصى من ماء الصنبور.
- قم بإحكام غلق سدادة الأمان على الجهاز مرة أخرى.

تشغيل الجهاز

- لا بد أن يوضع الجهاز على أرضية ثابتة.
- قم بتوصيل قابس الشبكة في مقبس التوصيل.
- عندئذ يجب أن يضيء مصباح التحكم.

ملحوظة

- بعد حوالي 3 دقائق يكون جهاز التنظيف بالبخار جاهزاً للاستخدام.
- اضغط على وسيلة حماية الأطفال بالأعلى.

وصف الجهاز

يتم وصف كافة التجهيزات المتوفرة في دليل التشغيل هذا. توجد بعض الاختلافات وفقاً لنوع الموديل (انظر العبوة)



الصور، انظر الصفحة المطوية!

سداة الأمان	A1
فتحة ملء الماء	A2
زر البخار	A3
وسيلة حماية الأطفال	A4
مقبض الحمل	A5
وصلة سلك التوصيل الرئيسي	A6
والقابس الكهربائي	
حامل الكابل	A7
مصباح كترول (أخضر) - جهد	A8
الشبكة متوافر	
غلاية البخار / خزان الماء	A9
فوهة البخار	A10
زر التحرير	A11
مسدس البخار	B1
زر التحرير	B2
خرطوم البخار	B3
قابس البخار	B4
فوهة خروج البخار	C1
فرشاة مستديرة	C2
فوهة الطاقة	C3
فوهة اليد	D1
كيس التنظيف القماشي	D2
ماسورة التمديد (2 قطعة)	E1
زر التحرير	E2
فوهة الأرضية	F1
مشابك التثبيت	F2
منشفة الأرضية	F3
حقيبة الملحقات	G1

الأجهزة وقم بخلع قابس التيار من الشبكة الكهربائية.

- لا يجب تشغيل الجهاز في درجات حرارة تحت الصفر.
- يجب حماية الجهاز من الأمطار. لا يجوز تخزينه في الأماكن الخارجية المفتوحة.

إزالة الترسبات الجيرية من الغلاية



- لا تقم بربط سداة الأمان على الجهاز أثناء عملية إزالة الترسبات الجيرية.
- لا تستخدم جهاز التنظيف بالبخار، طالما أن مادة إزالة الترسبات الجيرية ما زالت موجودة في الغلاية.
- كن حذراً عند ملء جهاز التنظيف بالبخار بمذيب الترسبات الجيرية وعند تفرغ منه. يمكن أن يتسبب مذيب الترسبات الجيرية في إضعاف الأسطح الحساسة.

تجهيزات الأمان



- تعمل تجهيزات الأمان على حماية المستخدم وغير مسموح بإدخال تعديلات عليها أو الاستغناء عن وظائفها.

الرموز الموجودة على الجهاز

الرموز وفقاً لنوع الأجهزة.



من المحتمل أن تصبح أسطح الجهاز ساخنة أثناء الاستخدام، فيجب الحذر!



خطر الاحتراق بسبب البخار!



إقرأ دليل التشغيل!



خطر

- عليهم من قبل شخص مختص بأمنهم وسلامتهم أو بعد حصولهم على تعليمات من هذا الشخص بشأن كيفية استخدام هذا الجهاز والأخطار الناشئة عن ذلك.
- لا يسمح للأطفال بالعبث بالجهاز.
- ينبغي مراقبة الأطفال لضمان عدم تلاعبهم بالجهاز.
- يجب إبعاد الجهاز عن الأطفال، طالما كان مشغلاً أو لم يبرد بعد.
- لا تقم بتشغيل أو تخزين الجهاز إلا وفقاً للشرح أو الصورة.
- لا تقم بتثبيت مفتاح البخار / زر البخار أثناء التشغيل.
- لا تقم بتشغيل الجهاز إلا في حالة وجود ماء في الغلاية، وإلا فقد يسخن الجهاز بشكل زائد عن الحد (انظر المساعدة عند حدوث أعطال).
- من الممكن أن تخرج بعض قطرات الماء الساخن عند فك الملحقات التكميلية! يجب ترك الجهاز حتى يبرد.
- لذا لا تقم بفك الملحقات التكميلية من الجهاز أثناء خروج البخار!



تنويه

- قبل إجراء أية أعمال على الجهاز أو باستخدامه احرص على توفير الثبات للجهاز للحيولة دون تعرضه للحوادث أو الإصابات.
- يُمنع نهائيًا ملء الغلاية بمواد مذيبة أو بسوائل محتوية على مواد مذيبة أو بأحماض غير مخففة (مثل مواد التنظيف والبنزين ومخففات الألوان والأسيتون)، لأنها تضعف المواد المستخدمة في الجهاز.
- يجب عليك دائماً مراقبة الجهاز طالما كان الجهاز قيد التشغيل.

تنبيه

- في حالة توقف التشغيل لفترات طويلة وبعد الاستخدام احرص على إيقاف الجهاز عن طريق المفتاح الرئيسي / مفتاح

- يجب على المستخدم استعمال الجهاز وفقاً للتعليمات. وأن يأخذ في اعتباره الظروف المكانية المحيطة ويحرص على سلامة الأشخاص المتواجدين في المكان عند العمل باستخدام الجهاز.
- يُحظر نهائيًا تشغيل الجهاز في الأماكن القابلة للانفجار.
- يجب مراعاة تعليمات الأمان ذات الصلة عند استعمال الجهاز في أماكن الخطر.
- لا تستخدم الجهاز إذا تعرض للسقوط من قبل أو كانت به تلفيات واضحة أو كان غير محكم.
- لا تستخدم البخار في تنظيف الأشياء التي تحتوي على مواد مضرّة بالصحة (مثل الأسبستوس "الحرير الصخري")
- يُمنع نهائيًا تعريض اليد لشعاع البخار من مسافات قصيرة ويمنع كذلك توجيه البخار بشكل مباشر نحو الأشخاص أو الحيوانات (خطر الإصابة بحروق).
- لا تفتح سداة الصيانة/سداة الأمان أبداً أثناء التشغيل. يجب ترك الجهاز يبرد أولاً.
- لا تقم بتعبئة أية مواد تنظيف أوإضافات أخرى!
- خطر الإصابة بحروق بفعل الغلاية الساخنة! يجب ترك الغلاية تبرد قبل ملئها بالماء.
- خطر الإصابة بحروق الناجم عن التفريغ العالي للماء، عندما يتم قلب الجهاز عند الاستخدام جانباً بدرجة أكثر من 30°.



تحذير

- غير مسموح بتشغيل الجهاز من قبل الأطفال أو غير المدربين.
- هذا الجهاز غير مخصص للاستخدام من قبل الأشخاص محدودي القدرات البدنية أو الحسية أو العقلية أو من لا تتوافر لديهم الخبرة و/أو المعرفة إلا إذا تم الإشراف

⚠ تحذير

- لا تقم بإجراء أعمال الصيانة إلا بعد سحب قابس الشبكة وتبريد جهاز التنظيف بالبخار.
- لا يجب أن تتم أعمال الإصلاح إلا عن طريق خدمة العملاء المعتمدة.
- يجب ألا توضع وصلة سلك التوصيل الرئيسي/سلك التمديد في الماء.

⚠ تحذير

- غير مسموح بتوصيل الجهاز بأي دائرة كهربائية سوى تلك التي يقوم بتركيبها كهربائي مختص ويكون ذلك وفقاً للمعيار IEC 60364.

- لا يتم توصيل الجهاز إلا بتيار متردد فقط. يجب أن يتطابق الجهد مع ما هو مدون على لوحة صنع الجهاز.
- في الأماكن الرطبة مثل الحمامات، لا تقم بتشغيل الجهاز إلا عن طريق مقابس مزودة بمفتاح أمان FI ضد التيار.
- يجب الاقتصار على استخدام أسلاك التمديد الكهربائية المحمية ضد رذاذ الماء وذات المقطع العرضي البالغ 1x3 مم² على الأقل.
- لا تستبدل وصلات سلك التوصيل الرئيسي أو سلك التمديد إلا بوصلات تتمتع بنفس الحماية من رذاذ الماء ونفس الثبات الميكانيكي.
- كن حذراً عند تنظيف الجدران المكسوة بالبلاط والموجود بها مقابس.

⚠ تنويه

- يُراعى ألا تتعرض وصلة سلك التوصيل الرئيسي أو سلك التمديد للضرر أو التلف نتيجة للمرور فوقها أو تعرضها للالتواء والتي أو التمزق والتعقد وما شابه ذلك. يجب حماية وصلات الشبكة من السخونة والزيت والحواف الحادة.

الانتباه إلى مواقف قد تحفها المخاطر وقد تؤدي إلى إصابات جسدية بالغة أو تسبب في الوفاة.

⚠ تنويه

الانتباه إلى الموقف الخطير المحتمل والذي قد يؤدي إلى إصابات بسيطة.

تنبيه

الانتباه إلى الموقف الخطير المحتمل والذي قد يؤدي إلى أضرار مادية.

المكونات الكهربائية

⚠ خطر


- لا تستخدم الجهاز في حمامات السباحة المحتوية على ماء.
- يجب ألا يتم توجيه البخار مباشرة على الأجهزة التي تحتوي على أجزاء كهربائية كالجزء الداخلي للأفران مثلاً.
- لا تقم بملء الأجهزة غير المزودة بخزان مياه قابل للخلع بطريقة مباشرة عبر وصلة الماء، طالما إنه غير متصل بشبكة التيار. قم باستخدام وعاء للملء عوضاً عن ذلك.
- تأكد من الحالة السليمة لكل من الجهاز والملحقات التكميلية، خصوصاً سلك التوصيل الرئيسي وسدادة الأمان وخرطوم البخار.
- لا تستخدم الجهاز في حالة وجود أضرار به.
- احرص على استبدال سلك التوصيل الرئيسي التالف فوراً عن طريق خدمة العملاء المعتمدة/ فني كهربائي متخصص.
- قم على الفور باستبدال خرطوم البخار التالف. يجب الاقتصار على استخدام خرطوم البخار الموصى به من قبل الشركة الصانعة.
- يجب ألا يتم الإمساك بقابس الشبكة والمقبس بأيدي ممثلة بالماء نهائياً.

عززي العميل

المحتويات التي يتم تسليمها

توجد على العلبة صورة لمشتملات الجهاز التي يتم تسليمها. تأكد عند فتح الصندوق من وجود كافة المحتويات.

وفي حالة نقص أية ملحقات أو اكتشاف أي تلف بها بسبب النقل يرجى إخطار البائع.

يرجى قراءة دليل التشغيل الأصلي  هذا قبل أول استخدام لجهازك، ثم التعامل مع الجهاز وفقاً للتعليمات الواردة بهذا الدليل. كما يرجى الاحتفاظ بدليل التشغيل لأي استخدامات أخرى فيما بعد أو في حالة تسليم الجهاز لمستخدمين آخرين.

الضمان


في كل دولة تسري شروط الضمان التي تضعها شركة التسويق المختصة التابعة لنا. نحن نتولى تصليح الأعطال التي قد تطرأ على جهازك بدون مقابل خلال فترة الضمان طالما أن السبب في هذه الأعطال ناجم عن وجود عيب في المواد أو في الصنع. في حال استحقاق الضمان، يرجى التوجه بقسيمة الشراء إلى أقرب موزع أو مركز خدمة عملاء معتمد.


(العنوان موجود في الصفحة الخلفية)

الاستخدام المطابق للتعليمات

قم باستخدام جهاز التنظيف بالبخار فقط في أغراض التنظيف المنزلية. يعمل هذا الجهاز للتنظيف بالبخار ويمكن أن يستخدم مع بعض الملحقات المناسبة كتلك التي تم ذكرها في دليل التشغيل هذا. ليس هناك حاجة لمواد تنظيف. انتبه في هذا الصدّد خاصة إلى تبيّئات الأمان.

حماية البيئة

مواد التغليف قابلة للتدوير وإعادة الاستخدام. يرجى عدم التخلص من العبوة في سلة القمامة المنزلية ولكن عليك بتقديمها للجهات المختصة بإعادة تدوير القمامة. 

تحتوي الأجهزة القديمة على مواد قيمة قابلة لإعادة التدوير والاستخدام والتي يجب الاستفادة منها. لذا، قم بالتخلص من الأجهزة القديمة بما يتوافق مع نظم التجميع المناسبة. 

إرشادات السلامة الخاصة بجهاز التنظيف بالبخار

- علاوة على الإرشادات الواردة في دليل التشغيل هذا يجب عليك مراعاة القواعد العامة للسلامة والوقاية من الحوادث والتي يحددها المشرع.
- مرفق مع الجهاز توضيح لعلامات التحذير وعلامات الإرشاد والتي تعطى إرشادات مهمة للوصول إلى تشغيل بدون أخطار.

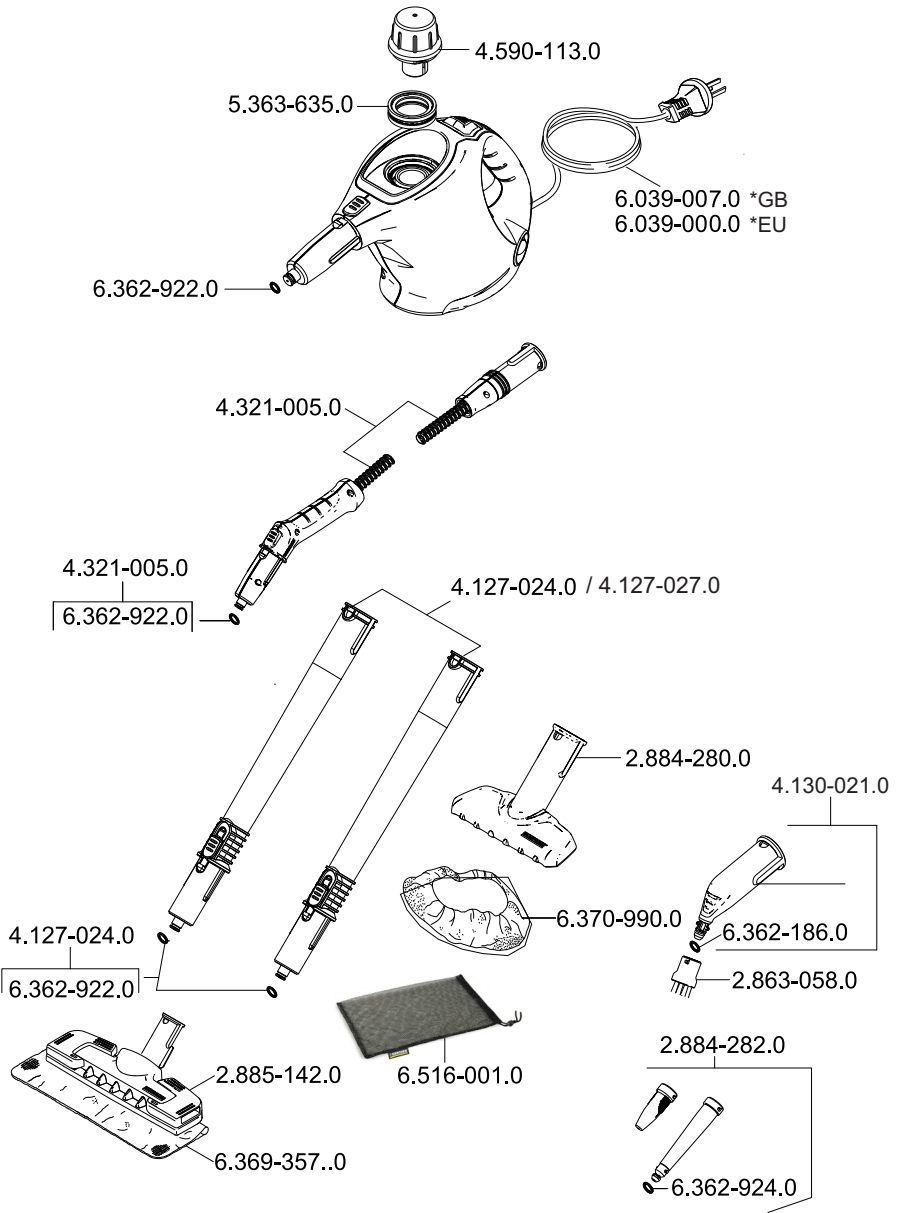
درجات الخطر



الانتباه إلى المخاطر المباشرة وشبكة الحوادث التي قد تؤدي إلى إصابات جسدية بالغة أو تتسبب في الوفاة.

قطع الغيار

لا تستخدم سوى قطع الغيار الأصلية من KARCHER. ستجد في نهاية دليل التشغيل هذا نظرة عامة على قطع الغيار.





<http://www.kaercher.com/dealersearch>



Alfred Kärcher GmbH & Co. KG

Alfred-Kärcher-Str. 28 - 40
71364 Winnenden (Germany)

Tel.: +49 7195 14-0

Fax: +49 7195 14-2212