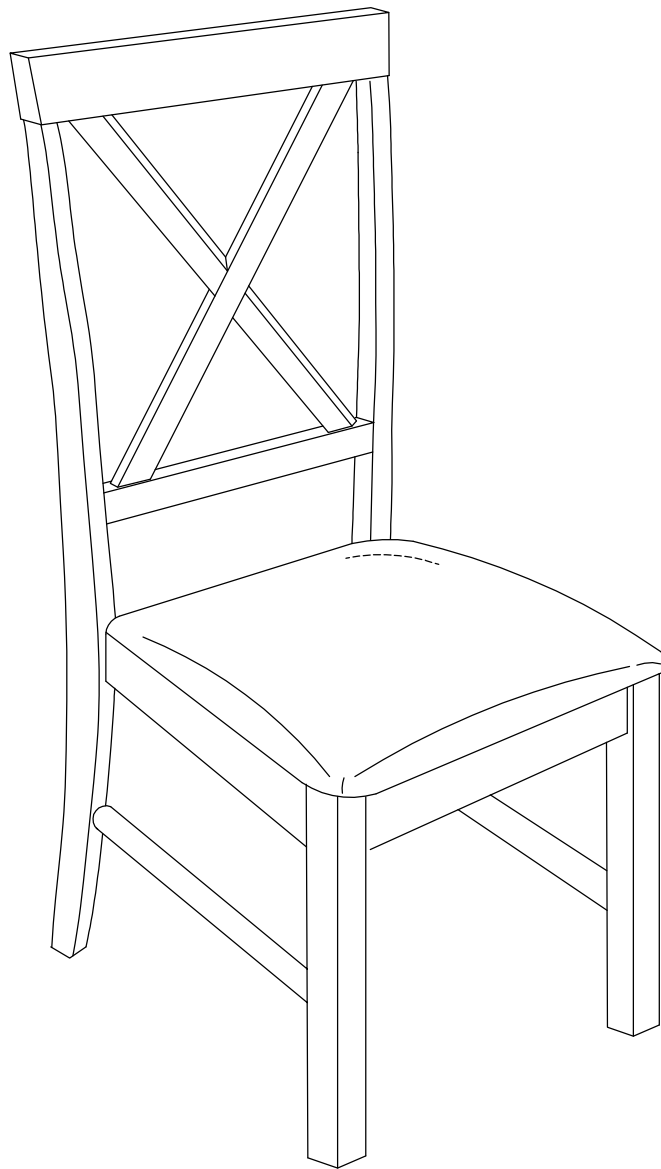


Hudson Chair

Assembly Instructions - Please keep for future reference

354/0828



Dimensions

Width - 42 cm

Depth - 43.5 cm

Height - 90 cm

Important - Please read these instructions fully before starting assembly

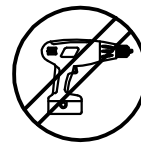
If you need help or have damaged or missing parts, call the **Customer Helpline : 0345 640 0800**



Safety and Care Advice

Important - Please read these instructions fully before starting assembly

- Keep these instructions for future use.
- Check you have all the components and tools listed on page 2 and 3.
- Do not stand or put excessive weight on the product, this could cause damage.
- Parts of the assembly will be easier with 2 people.
- Do not use this item if any components are missing or damaged.
- During assembly children should be kept away from the product due to possible risk of injury.
- Remove all fittings from the plastic bags and separate them into their groups.
- Dispose of all packaging carefully and responsibly.
- To ensure an easier assembly, we strongly advise that all fittings are only finger tightened during initial assembly. Only upon completion of the assembly should all fixing points be fully tightened.
- We do **NOT** recommend the use of power tools for this assembly.



Solid Wood/ Real wood veneers

- This product has been finished using natural materials. As a living material, you may notice some variation in the grain and colour shade between the different components.
- Unlike a synthetic or man-made material which has uniform finish, a feature of natural wood is its variation in grain and colour. We wish to reassure you that this is quite normal and is not the result of any manufacturing fault.
- Where sheets of wood are joined together, a line may be detected. Again, this is normal and is not an imperfection.
- The natural finish should be cared for by the periodic application of a good quality 'wax' based domestic furniture polish (Not silicone!!). Occasional / small spills should be removed immediately using a damp cloth.
- Do not allow hot articles to come into contact with the surface, as damage will occur .

Cleaning Guidance

- Minor Stains and spillages should be removed immediately from cushion fabric, by wiping over lightly with a damp cloth and mild soapy water.
- Light marking can also be removed using this method.
- To remove more stubborn stain or marking, a good quality proprietary domestic fabric cleaner can be used, although it should first be tested on an inconspicuous area of the fabric.

Care and maintenance

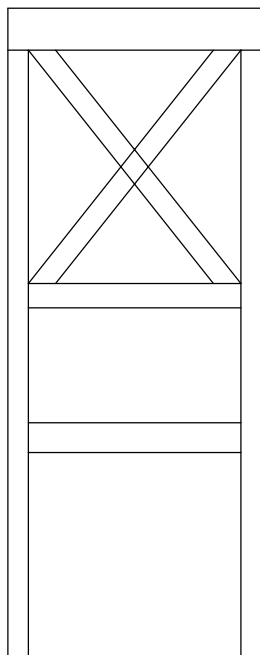
- Clean using a damp cloth or a proprietary domestic furniture polish. Do not use abrasive cleaners.
- This product should not be discarded with household waste. Take to your local authority waste disposal only
- From time to time check that there are no loose screws on this unit.

Components - Parts

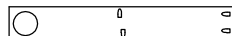
If you have damaged or missing components,
call the Customer Helpline : 0345 640 080

Please check you have all the parts listed below

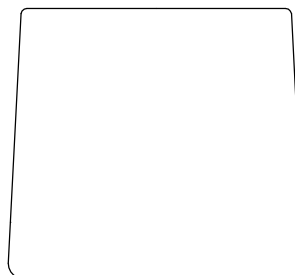
- 1 Backrest x2
(35.7 x 93.5cm)



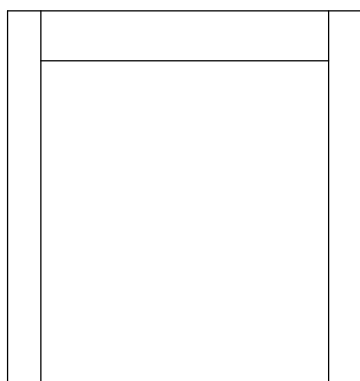
- 3 Seat Support x4
(4.5 x 2 x 32.5cm)



- 4 Seat Pad x2
(39 x 42cm)



- 2 Front Leg x2
(3.2 x 39.5 x 42.5 cm)



- 5 Stretcher x4
(1 x 2.6 x 35.5cm)


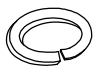
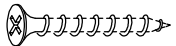




Components - Fittings

If you have damaged or missing components, call the Customer Helpline : 0345 640 080

Please check you have all the fittings listed below

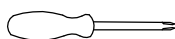
Note : The quantities below are the correct amount to complete the assembly. In some cases more fittings may be supplied than are required.

<p>A</p>  <p>40mm Allen Screw x 12</p>	<p>B</p>  <p>Spring Washer x 12</p>	<p>C</p>  <p>32mm Wood Screw x 14</p>
<p>D</p>  <p>Wood Dowel x 8</p>	<p>E</p>  <p>Allen Key x 1</p>	

Tools required



Ruler/tape
measure



Philips screwdriver

Ruler - Use this ruler to help correctly identify the screws



Assembly Instructions

Step 1

Preparing Front Legs

Place front leg **2** face down onto the floor.

Fit wood dowels **D** into the holes in front leg **2** as shown.

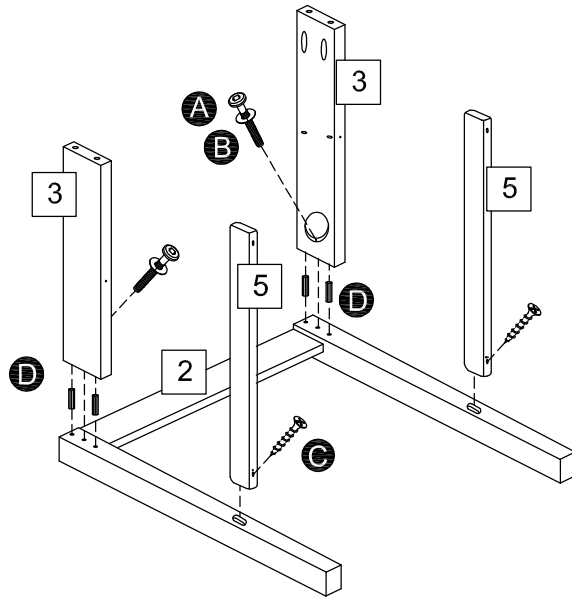
Carefully align seat supports **3** onto front leg **2** and secure using fixings **A** and **B**.

Note : Do not fully tighten at this stage.

Locate stretchers **5** into the lower holes in front leg **2** and push firmly into position.

Note : Ensure the fixing holes in stretchers **5** are facing down.

Secure small stretchers using screws **C**.



Step 2

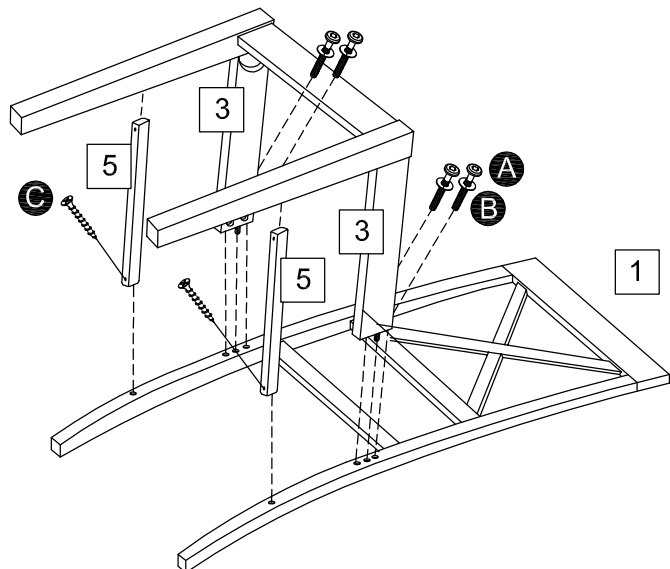
Attaching Back rest

Lay back rest **1** flat on the floor with the fixing holes facing up.

Carefully align the seat supports **3** and stretchers **5** with the holes in back rest **1**.

Secure using fixings **A** and **B** for the seat supports and screws **C** for the stretchers **5**.

Note : Do not fully tighten bolts at this stage.



Assembly Instructions

Step 3

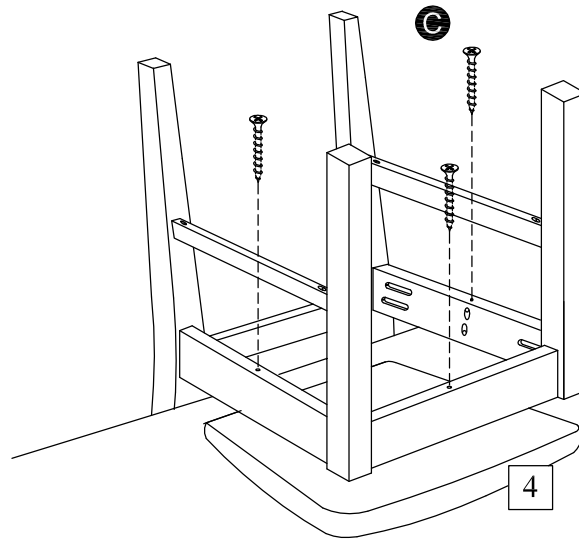
Assembling Seat Pad

Place seat pad **4** upside down on a stable flat surface (i.e edge of table).

Turn chair frame upside down and locate onto seat pad **4**.

Adjust chair frame until it is correctly aligned with the seat pad **4**.

Secure using screws **C**.



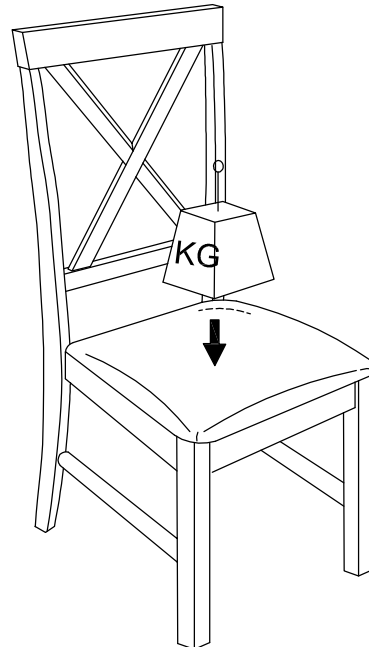
Step 4

Completing Assembly

Turn chair upright and place on a level surface.

Whilst applying a firm downward pressure to the seat, tighten all bolts.

Assembly is complete.



If you need help or have damaged or missing parts, call the **Customer Helpline : 0345 640 0800**
Home Retail Group, 489-499 Avebury Boulevard, Saxon Gate West. Central Milton Keynes
MK9 2NW