

# Arvika - 4+2 Drawer Chest

Assembly Instructions - Please keep for future reference

346/4966

343/2857



## Dimensions

Width - 72cm

Depth - 39.5cm

Height - 106cm



**MADE IN  
BRITAIN**

**Important** - Please read these instructions fully before starting assembly

If you need help or have damaged or missing parts, call the **Customer Helpline: 08456 400800**



# Safety and Care Advice

**Important - Please read these instructions fully before starting assembly**

- **Warning:** This unit weighs approximately 33.5kgs. Please lift with care.

- Check you have all the components and tools listed on pages 2 and 3.

- Remove all fittings from the plastic bags and separate them into their groups.

- Keep children and animals away from the work area, small parts could choke if swallowed.

- Parts of the assembly will be easier with 2 people.

- Make sure you have enough space to layout the parts before starting.

- Do not stand or put weight on the product, this could cause damage.

- Assemble the item as close to its final position (in the same room) as possible.

- Assemble on a soft level surface to avoid damaging the unit or your floor (use opened out unit carton).



- We do not recommend the use of power drill/drivers **for inserting screws**, as this could damage the unit. Only use hand screwdrivers.

- **Safety note:** It is recommended that this unit is secured to a wall using the overbalance kit supplied.

- Dispose of all packaging carefully and responsibly.

## Care and maintenance

- Only clean using a damp cloth and mild detergent, do not use bleach or abrasive cleaners.

- From time to time check that there are no loose screws on this unit.

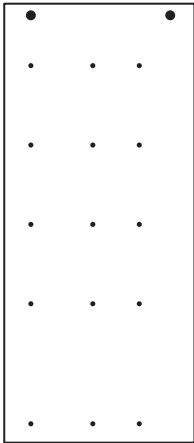
- This product should not be discarded with household waste. Take to your local authority waste disposal centre.

**Note:** If required the next page can be cut out and used as reference throughout the assembly. Keep this page with these instructions for future reference.

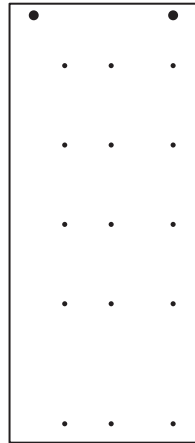
# Components - Panels

If you have damaged or missing components, call the **Customer Helpline: 08456 400800** quoting the reference numbers below

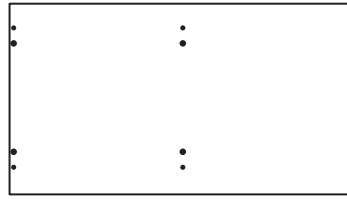
Please check you have all the panels listed below



**1** Left Side (DF1881)  
(907 x 393mm)



**2** Right Side (DF1882)  
(907 x 393mm)



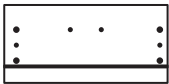
**3** Top (DF914)  
(716 X 394mm)



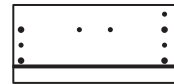
**4** Base (DF1963)  
(716 X 394mm)



**5** Divider (DF1885)  
(158 x 363mm)



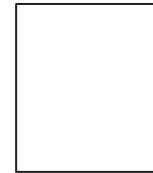
**6** Top Left Drawer Front (DF1883)  
(337.5 x 161mm)



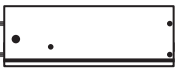
**7** Top Right Drawer Front (DF1964)  
(337.5 x 161mm)



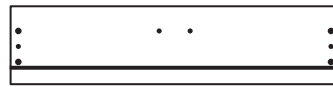
**8** Top Drawer Back (W284-124)  
(284 x 124mm) x 2



**9** Top Drawer Base (T295-347)  
(295 x 347mm) x 2



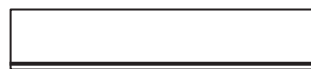
**10** Small Left Drawer Side (W350-124LH)  
(350 x 124mm) x 5



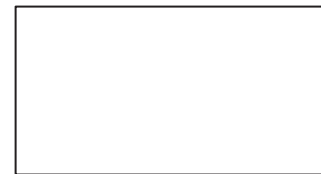
**12** Mid Drawer Front (DF915)  
(678 x 161mm) x 3



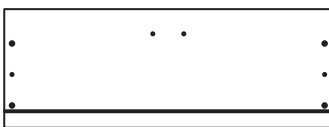
**11** Small Right Drawer Side (W350-124RH)  
(350 x 124mm) x 5



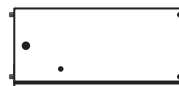
**13** Mid Drawer Back (W633-124)  
(633 x 124mm) x 3



**14** Large Drawer Base (T644-347)  
(644 x 347mm) x 4



**15** Large Drawer Front (DF1442)  
(678 x 245mm)



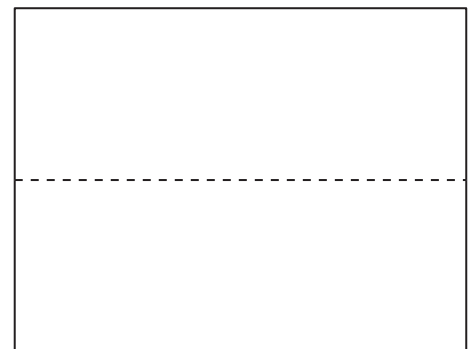
**17** Large Left Drawer Side (W350-165LH)  
(350 x 165mm)



**16** Large Drawer Back (W633-165)  
(633 x 165mm)



**18** Large Right Drawer Side (W350-165RH)  
(350 x 165mm)



**19** Back (X933-710)  
(933 x 710mm)

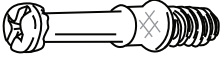



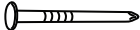







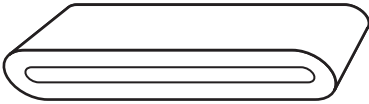

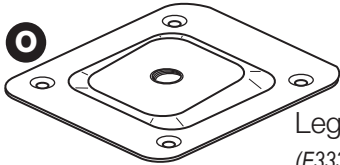
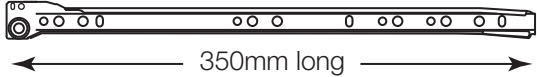

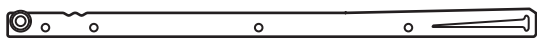
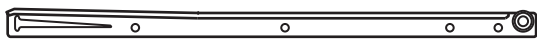
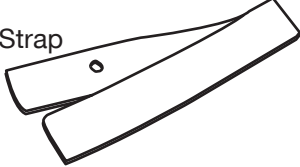




# Components - Fittings

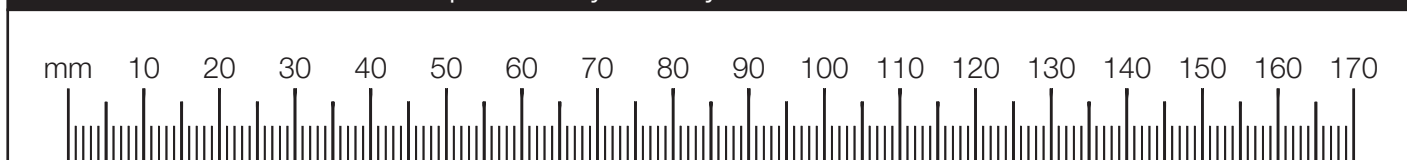
If you have damaged or missing components, call the **Customer Helpline: 08456 400800** quoting the reference numbers below

Please check you have all the fittings listed below

**Note:** The quantities below are the correct amount to complete the assembly. In some cases more fittings may be supplied than are required.

<p><b>A</b> </p> <p>Metal dowel (F901) x 18</p>	<p><b>B</b> </p> <p>Large locking nut (F900) x 6</p>	<p><b>C</b> </p> <p>Small locking nut (F3) x 12</p>
<p><b>D</b> </p> <p>Wooden dowel (F22) x 10</p>	<p><b>E</b> </p> <p>Nail (F51) x 20</p>	<p><b>F</b> </p> <p>Knock-in Peg (F171GY) x 24</p>
<p><b>G</b> </p> <p>40mm Screw (F910) x 4</p>	<p><b>H</b> </p> <p>19mm Screw (F461) x 12</p>	<p><b>I</b> </p> <p>13mm Screw (F79) x 16</p>
<p><b>J</b> </p> <p>13mm Screw (F63) x 36</p>	<p><b>K</b> </p> <p>9mm Screw (F73) x 36</p>	<p><b>L</b> </p> <p>Wedgefix (F639) x 20</p>
<p><b>M</b> </p> <p>Handle (F336) x 6</p>	<p><b>N</b> </p> <p>Leg (F343) x 4</p>	<p><b>O</b> </p> <p>Leg Bracket (F333) x 4</p>
<p><b>P a</b>  L Runner (F159) x 6 350mm long</p> <p><b>P b</b>  R Runner (F160) x 6</p> <p><b>P c</b>  L Runner (F161) x 6</p> <p><b>P d</b>  R Runner (F162) x 6</p>	<p><b>Q</b> </p> <p>Strap</p> <p> Screw  Washer x 2</p> <p>Overbalance protector kit (F269) x 1</p>	

Ruler - Use this ruler to help correctly identify the screws



# Assembly Instructions

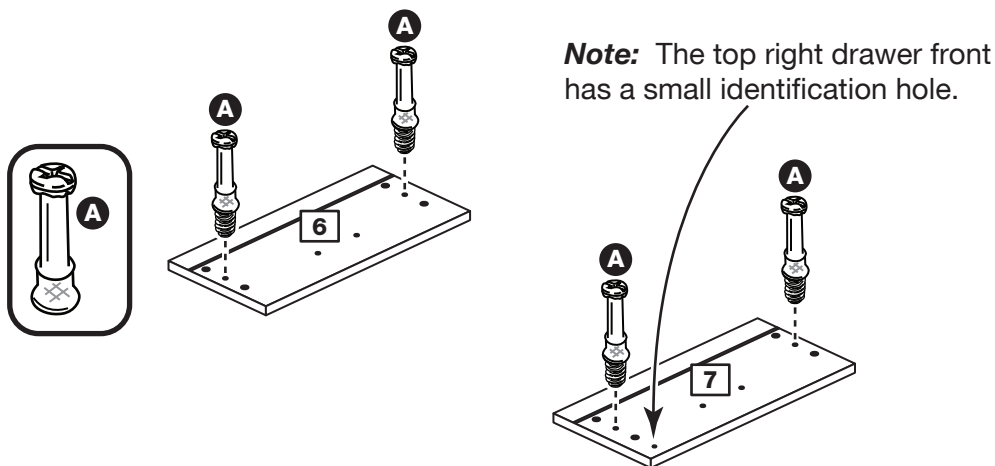
If you have damaged or missing components, call the  
**Customer Helpline: 08456 400800** quoting the reference  
numbers below

## Step 1

### Prepare the 2 top drawer fronts

Screw 2 metal dowels **A**  
into each of the top  
drawer fronts **6** and **7**.

**Note:** Tighten the metal  
dowels up fully against  
the panels.

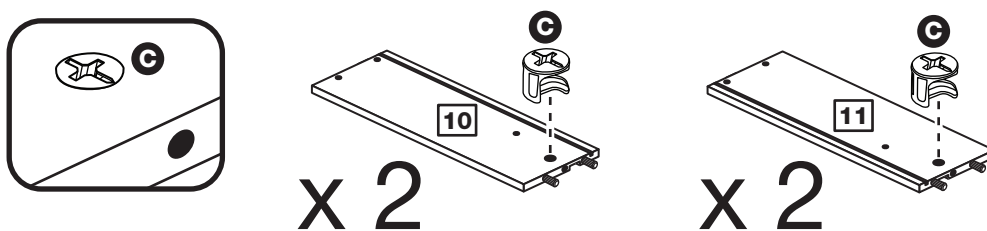


## Step 2

### Prepare 2 pair of small drawer sides

Insert a small locking  
nut **C** into the hole  
shown on the small left  
drawer side **10** and the  
small right drawer side **11**.

**Note:** The arrow on the  
locking nut **must** point  
towards the hole in the  
edge of the panel.



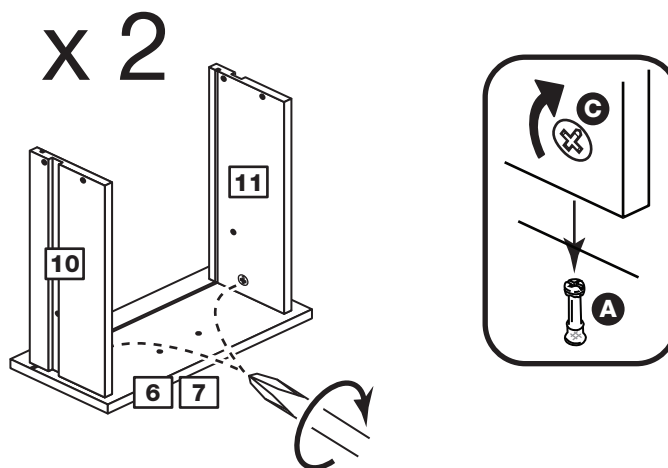
## Step 3

### Attach the small drawer sides to the top drawer fronts

Push the small left  
drawer sides **10** and  
small right drawer sides  
**11** onto the back of the  
top drawer fronts **6** and  
**7**.

Turn the small locking  
nuts **C** on the small left  
drawer side **10** and small  
right drawer side **11**.

**Note:** Turn the locking  
nuts **C** clockwise to  
secure panels - more  
than 1/2 a turn.

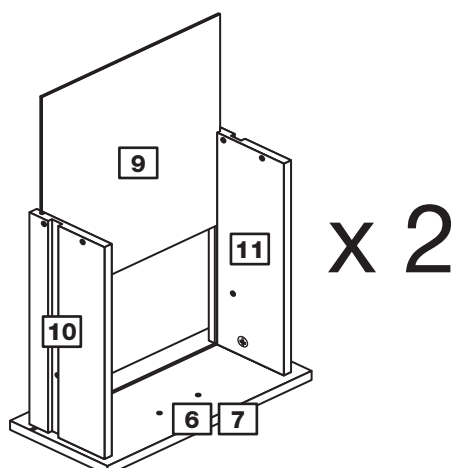


# Assembly Instructions

## Step 4

### Fit the top drawer base

Slide the top drawer base **9** down the grooves in the small drawer sides **10** and **11** and down into the groove in the top drawer fronts **6** and **7**.

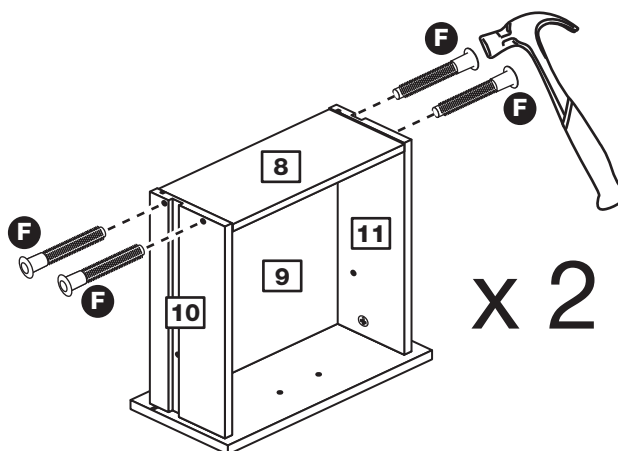


## Step 5

### Fit the top drawer back

Fit the top drawer back **8** between the small drawer sides **10** and **11**. Make sure that the top drawer base **9** fits into the groove in the top drawer back **8**.

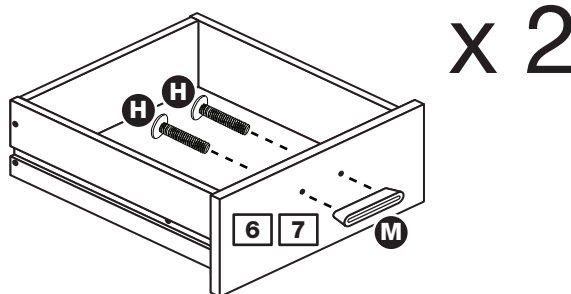
Hold the top drawer back **8** in position and tap the knock-in pegs **F** through the holes in the small drawer sides **10** and **11**.



## Step 6

### Attach the handles

Attach a handle **M** to each of the top drawer fronts **6** and **7** using screws **H**.

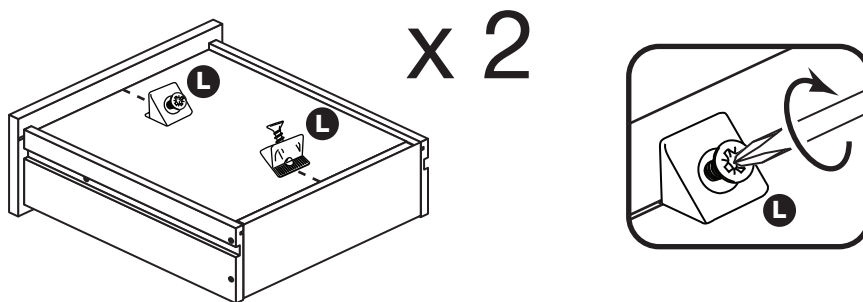


# Assembly Instructions

## Step 7

### Fit the wedgifixes

Turn the top drawer assemblies over and slide 2 wedgifixes **L** into the front and back grooves, as shown, and tighten up the screws.

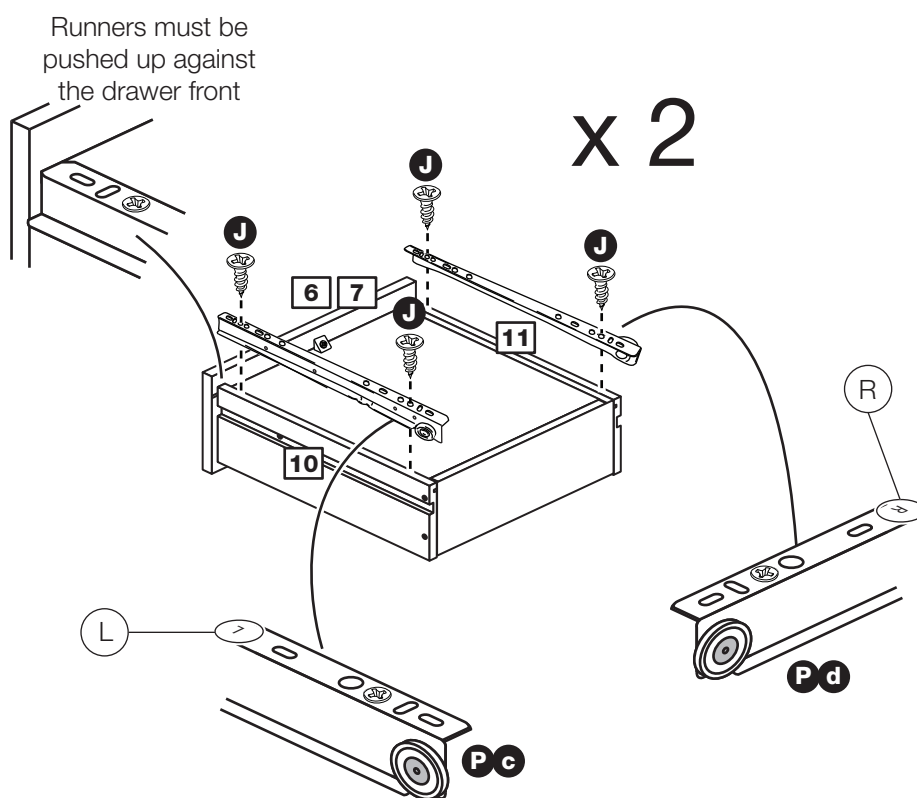


## Step 8

### Fit the runners

Fit a runner **Pd**, marked with 'R', to the bottom edge of the small right drawer side **11**, as shown, making sure that it is pushed up against the back of the top drawer front **6** and **7**. Use a bradawl to mark the fixing positions, then secure with 2 screws **J**.

Fit runner **Pc**, marked 'L', to the bottom edge of the small left drawer side **10** using the same method.



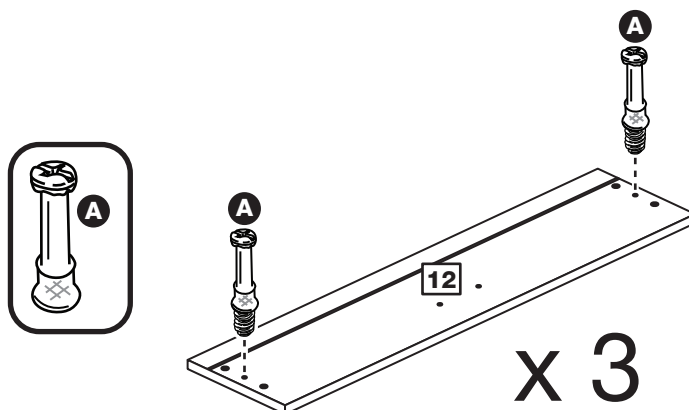
# Assembly Instructions

## Step 9

### Prepare the 3 mid drawer fronts

Screw 2 metal dowels **A** into each of the mid drawer fronts **12**.

**Note:** Tighten the metal dowels up fully against the panels.

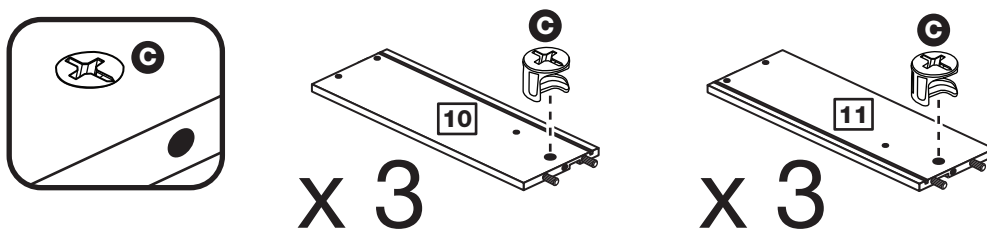


## Step 10

### Prepare 3 pair of small drawer sides

Insert a small locking nut **C** into the hole shown on the small left drawer side **10** and the small right drawer side **11**.

**Note:** The arrow on the locking nut **must** point towards the hole in the edge of the panel.



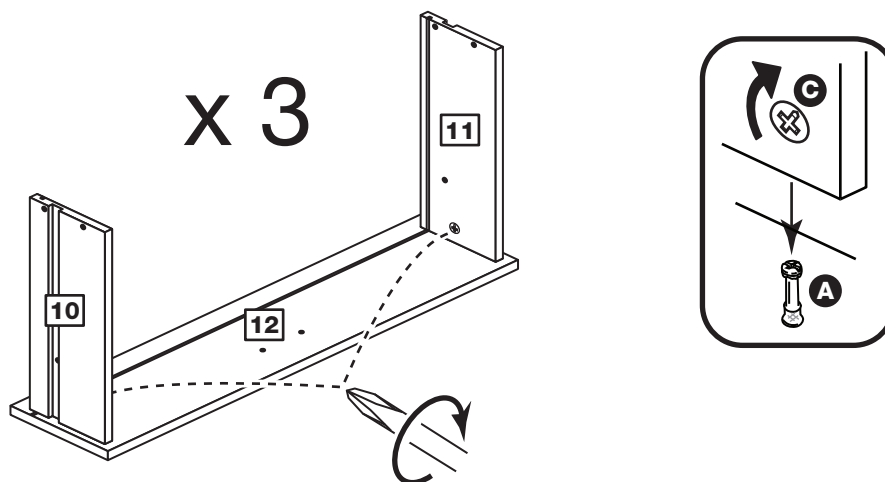
## Step 11

### Attach the small drawer sides to the mid drawer fronts

Push the small left drawer sides **10** and small right drawer sides **11** onto the back of the mid drawer fronts **12**.

Turn the small locking nuts **C** on the small left drawer side **10** and small right drawer side **11**.

**Note:** Turn the locking nuts **C** clockwise to secure panels - more than 1/2 a turn.



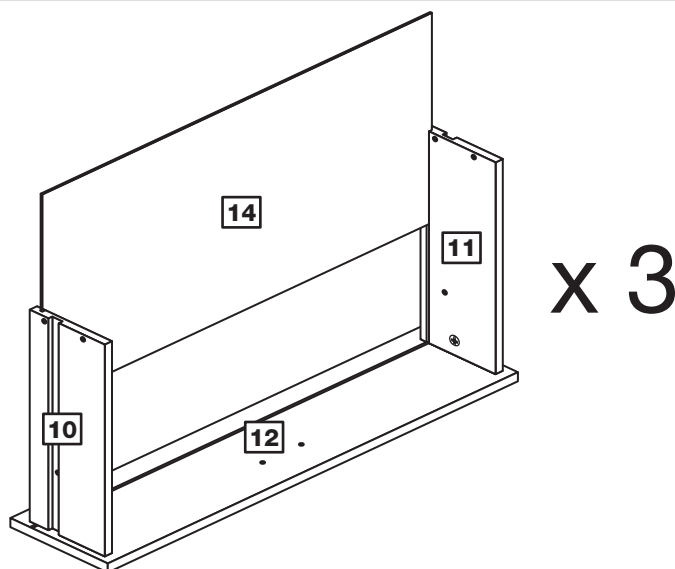


# Assembly Instructions

## Step 12

### Fit the large drawer base

Slide the large drawer base **14** down the grooves in the small drawer sides **10** and **11** and down into the groove in the mid drawer front **12**.

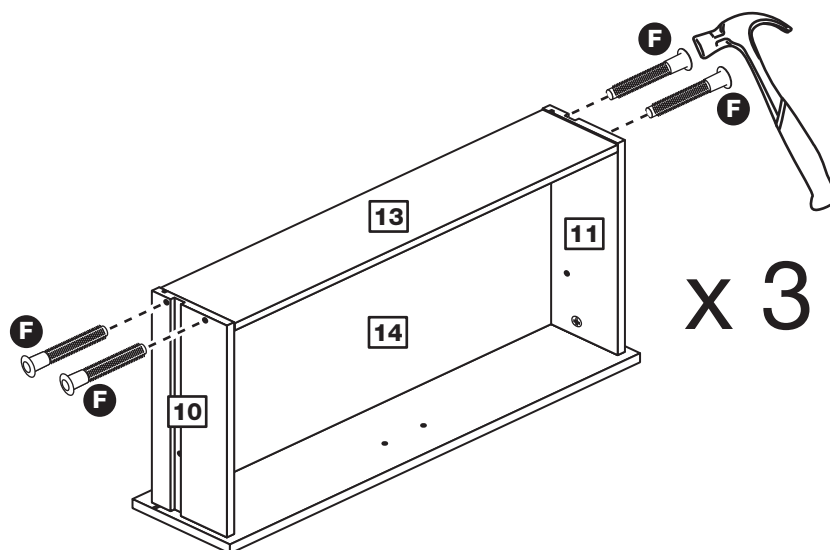


## Step 13

### Fit the mid drawer back

Fit the mid drawer back **13** between the small drawer sides **10** and **11**. Make sure that the large drawer base **14** fits into the groove in the mid drawer back **13**.

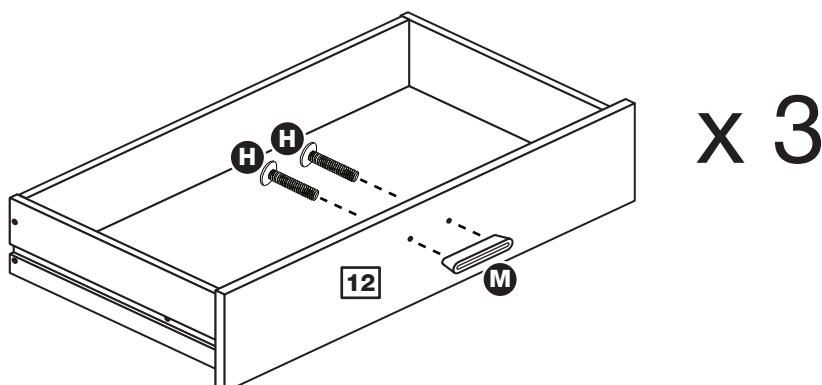
Hold the mid drawer back **13** in position and tap the knock-in pegs **F** through the holes in the small drawer sides **10** and **11**.



## Step 14

### Attach the handles

Attach a handle **M** to each of the mid drawer fronts **12** using screws **H**.

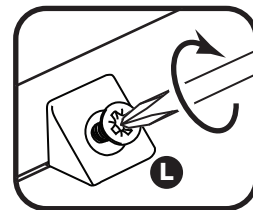
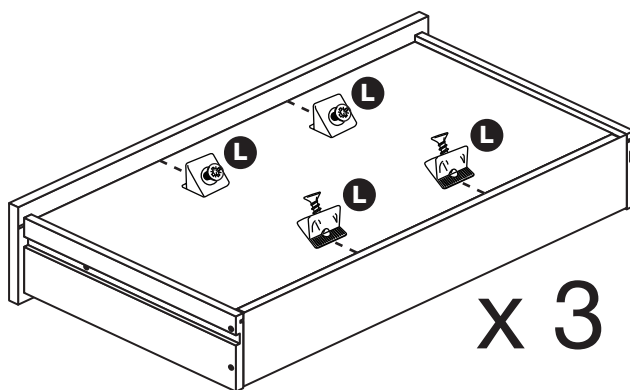


# Assembly Instructions

## Step 15

### Fit the wedgfixes

Turn the mid drawer assemblies over and slide 4 wedgfixes **L** into the front and back grooves, as shown, and tighten up the screws.



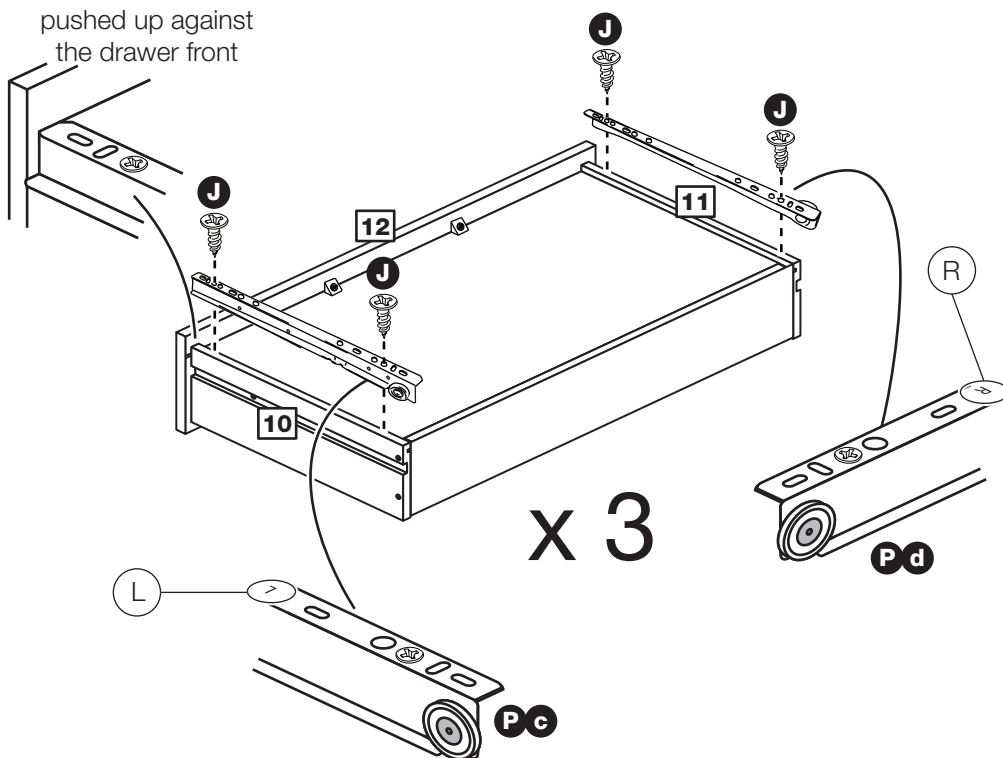
## Step 16

### Fit the runners

Fit a runner **Pd**, marked with 'R', to the bottom edge of the small right drawer side **11**, as shown, making sure that it is pushed up against the back of the mid drawer front **12**. Use a bradawl to mark the fixing positions, then secure with 2 screws **J**.

Fit runner **Pc**, marked 'L', to the bottom edge of the small left drawer side **10** using the same method.

Runners must be pushed up against the drawer front



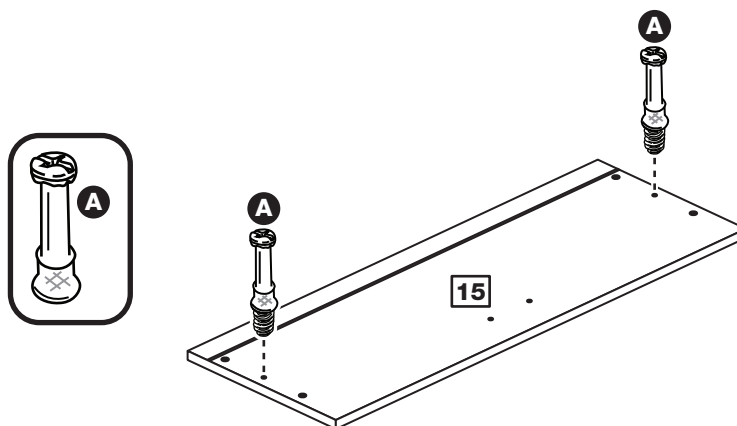
# Assembly Instructions

## Step 17

### Prepare the large drawer front

Screw 2 metal dowels **A** into the large drawer front **15**.

**Note:** Tighten the metal dowels up fully against the panels.

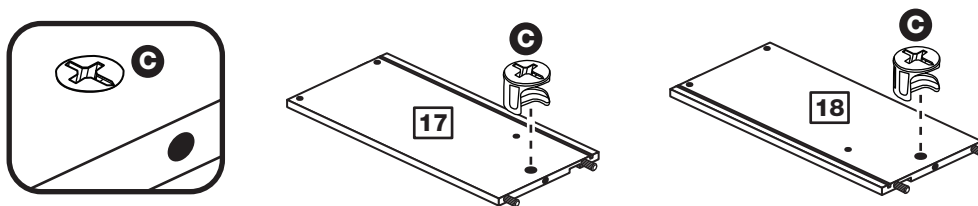


## Step 18

### Prepare the large drawer sides

Insert a small locking nut **C** into the hole shown on the large left drawer side **17** and the large right drawer side **18**.

**Note:** The arrow on the locking nut **must** point towards the hole in the edge of the panel.



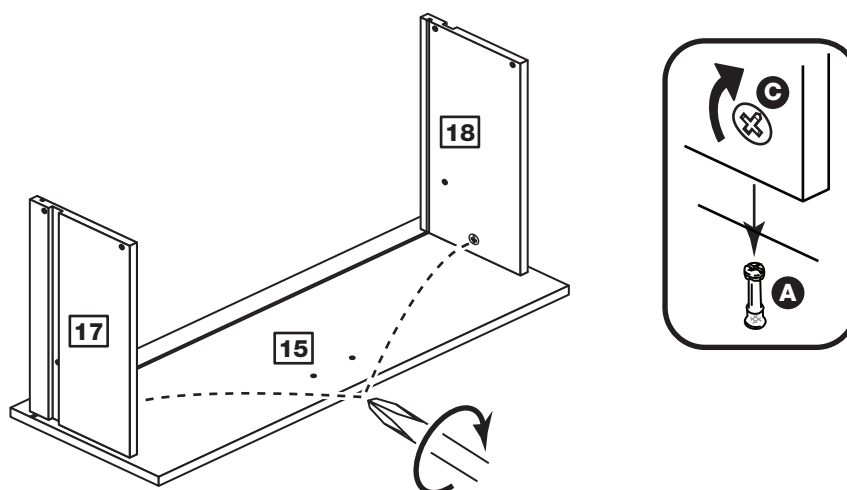
## Step 19

### Attach the large drawer sides to the large drawer front

Push the large left drawer sides **17** and large right drawer sides **18** onto the back of the large drawer front **15**.

Turn the small locking nuts **C** on the large left drawer side **17** and large right drawer side **18**.

**Note:** Turn the locking nuts **C** clockwise to secure panels - more than 1/2 a turn.

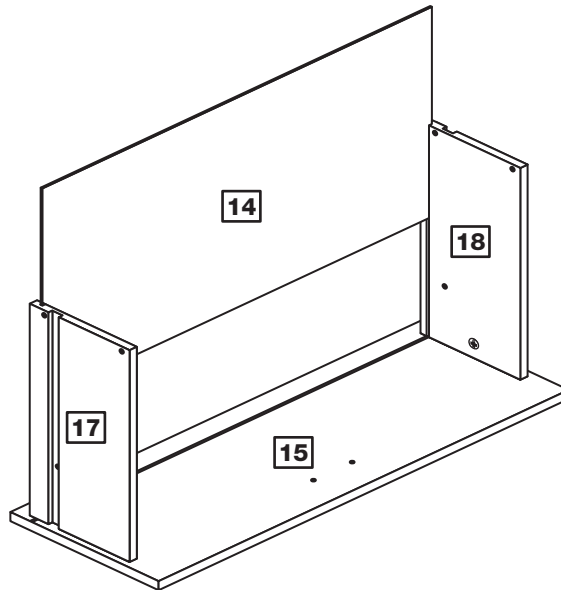


# Assembly Instructions

## Step 20

### Fit the large drawer base

Slide the large drawer base **14** down the grooves in the large drawer sides **17** and **18** and down into the groove in the large drawer front **15**.

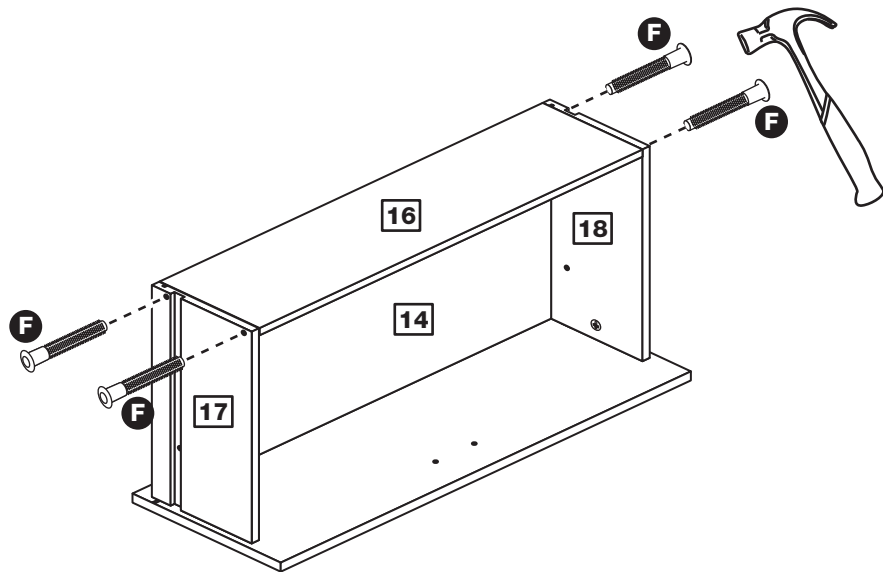


## Step 21

### Fit the large drawer back

Fit the large drawer back **16** between the large drawer sides **17** and **18**. Make sure that the large drawer base **14** fits into the groove in the large drawer back **16**.

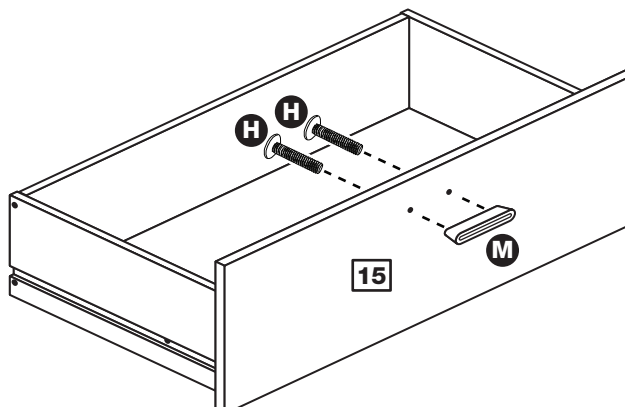
Hold the large drawer back **16** in position and tap the knock-in pegs **F** through the holes in the large drawer sides **17** and **18**.



## Step 22

### Attach the handle

Attach a handle **M** to the large drawer front **15** using screws **H**.

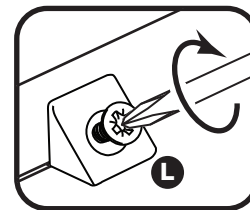
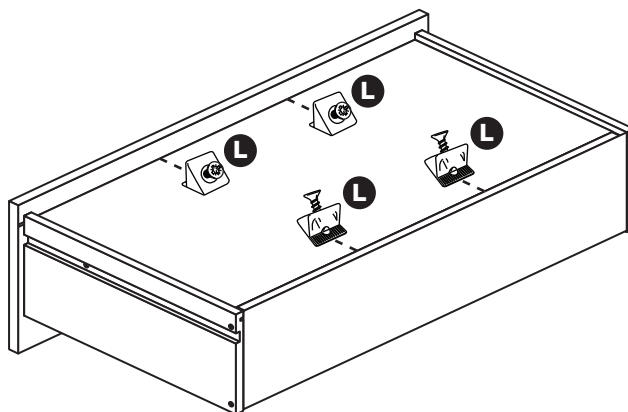


# Assembly Instructions

## Step 23

### Fit the wedgfixes

Turn the large drawer assembly over and slide 4 wedgfixes **L** into the front and back grooves, as shown, and tighten up the screws.



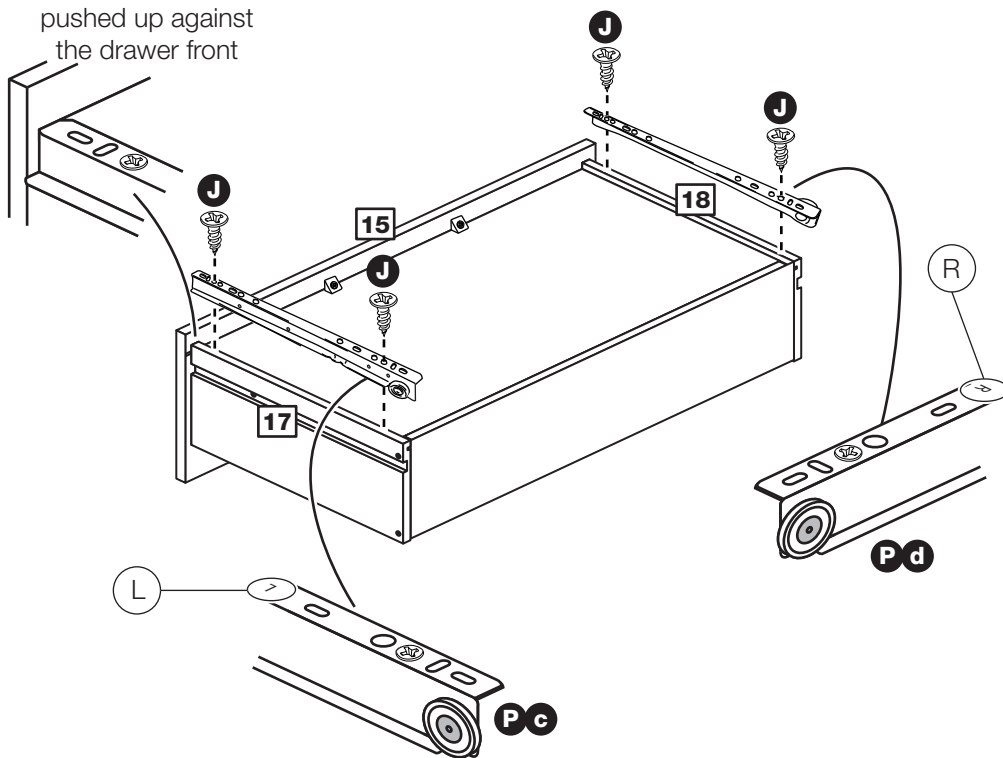
## Step 24

### Fit the runners

Fit a runner **Pd**, marked with 'R', to the bottom edge of the large right drawer side **18**, as shown, making sure that it is pushed up against the back of the large drawer front **15**. Use a bradawl to mark the fixing positions, then secure with 2 screws **J**.

Fit runner **Pc**, marked 'L', to the bottom edge of the large left drawer side **17** using the same method.

Runners must be pushed up against the drawer front



# Assembly Instructions

## Step 25

### Prepare the left side

**a:** Fit 5 runners **Pa** to the left side **1**.

The 1st screw **K** uses the 1st hole in from the front of the runners.

The 2nd and 3rd screws **K** use the holes that line up with the other panel holes.

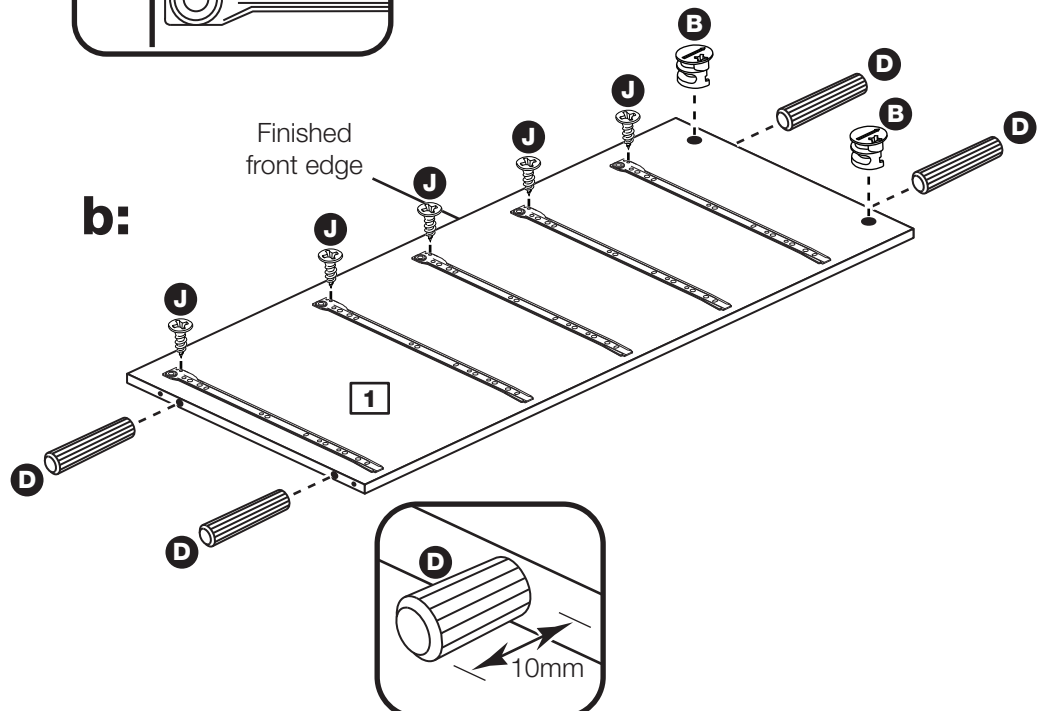
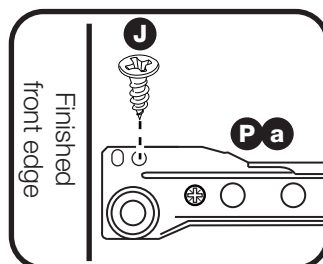
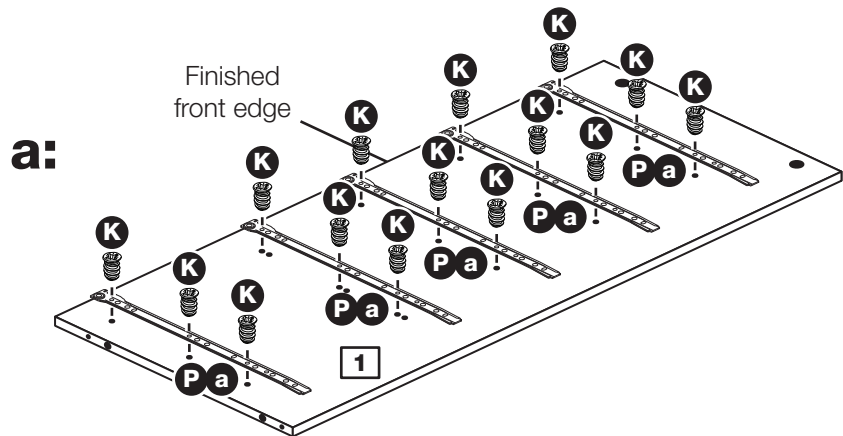
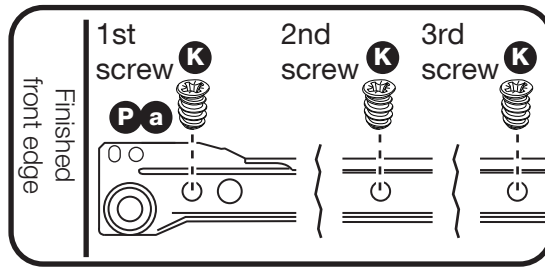
**b:** Fit a screw **J** into the 2nd hole in at the top of the runners **Pa**.

Insert 2 large locking nuts **B** into the left side **1**.

**Note:** The arrow on the locking nut **must** point towards the hole in the edge of the panel.

Tap 4 wooden dowels **D** into the left side **1**.

**Note:** Wooden dowels **must not** stick out from the edge by more than 10mm or they may damage other panels.



# Assembly Instructions

## Step 26

### Prepare the right side

**a:** Fit 5 runners **P b** to the right side **2**.

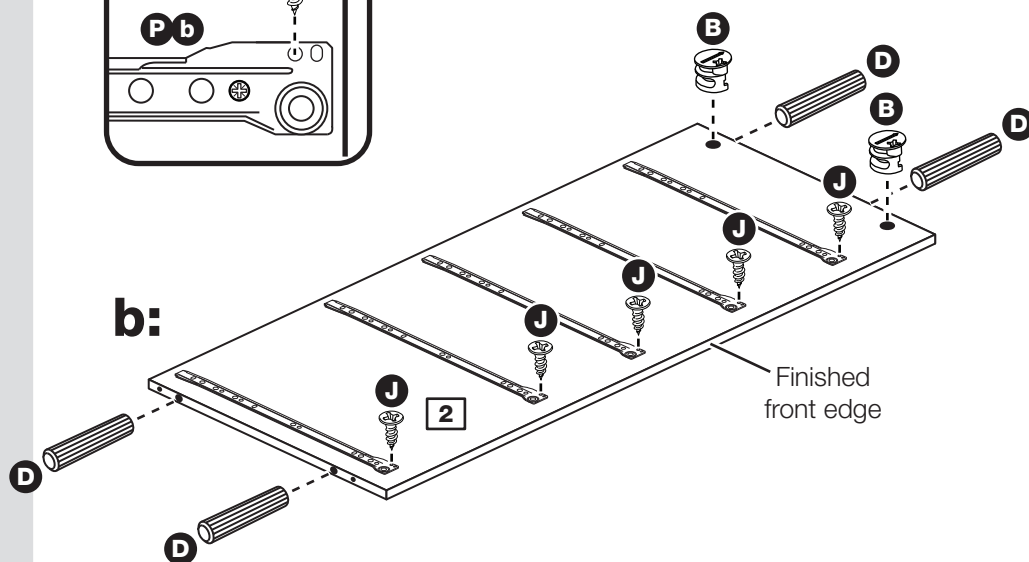
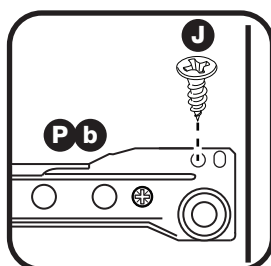
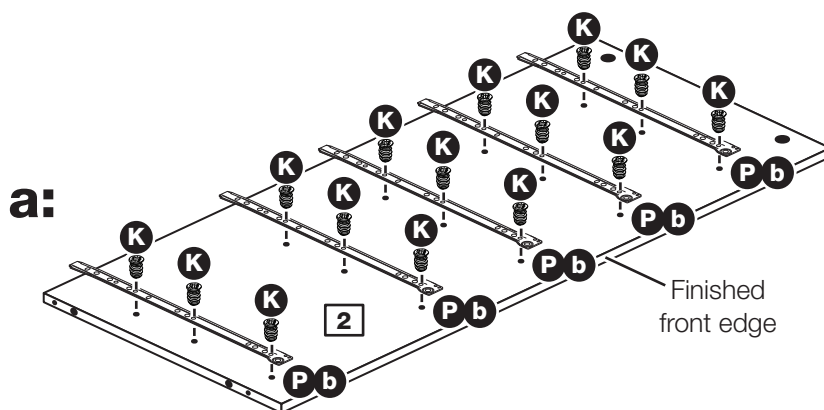
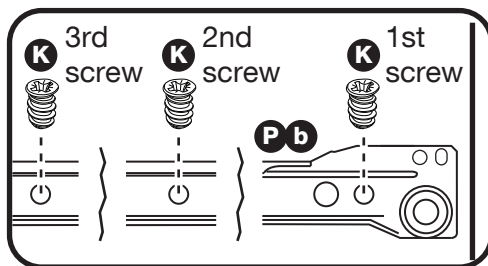
The 1st screw **K** uses the 1st hole in from the front of the runners.

The 2nd and 3rd screws **K** use the holes that line up with the other panel holes.

**b:** Fit a screw **J** into the 2nd hole in at the top of the runners **P b**.

Insert 2 large locking nuts **B** into the right side **2**.

Tap 4 wooden dowels **D** into the right side **2**.



# Assembly Instructions

## Step 27

### Prepare the divider

**a:** Fit a runner **P a** to the divider **5**.

The 1st screw **K** uses the 1st hole in from the front of the runners.

The 2nd and 3rd screws **K** use the holes that line up with the other panel holes.

**b:** Fit a screw **J** into the 2nd hole in at the top of the runners **P a**.

Insert 2 large locking nuts **B** into the divider **5**.

Tap 4 wooden dowels **D** into the divider **5**.

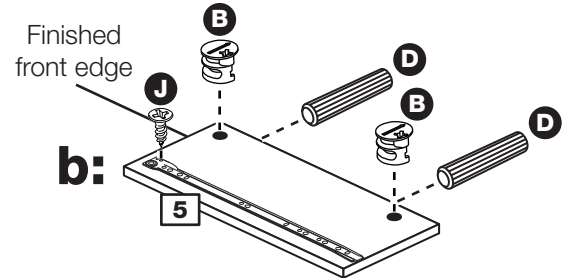
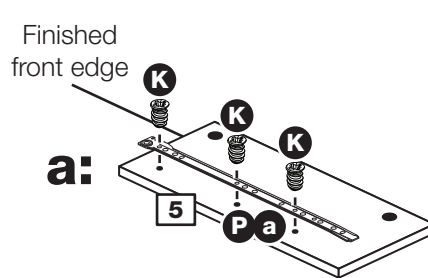
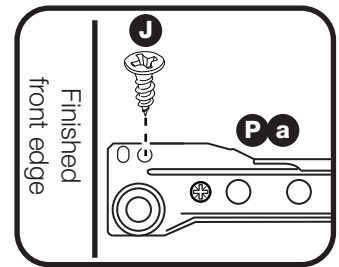
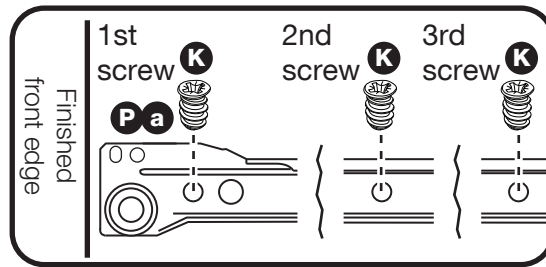
### Turn the divider over

**c:** Fit a runner **P b** to the divider **5**.

The 1st screw **K** uses the 1st hole in from the front of the runners.

The 2nd and 3rd screws **K** use the holes that line up with the other panel holes.

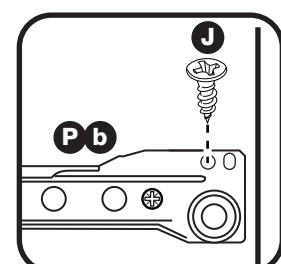
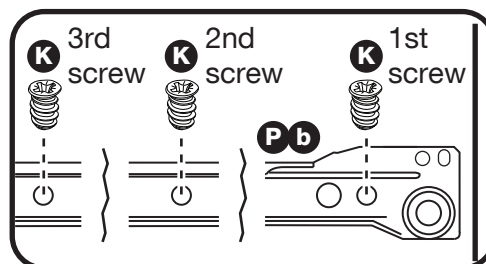
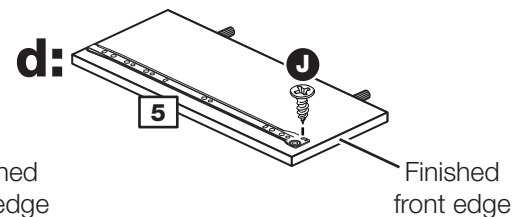
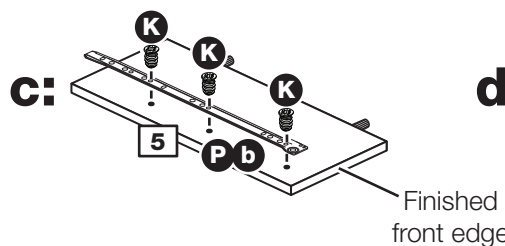
**b:** Fit a screw **J** into the 2nd hole in at the top of the runners **P b**.



**Note:** Due to the manufacturing process, the 2 holes for the large locking nut can be on either surface of the panel.



*Turn the divider over*





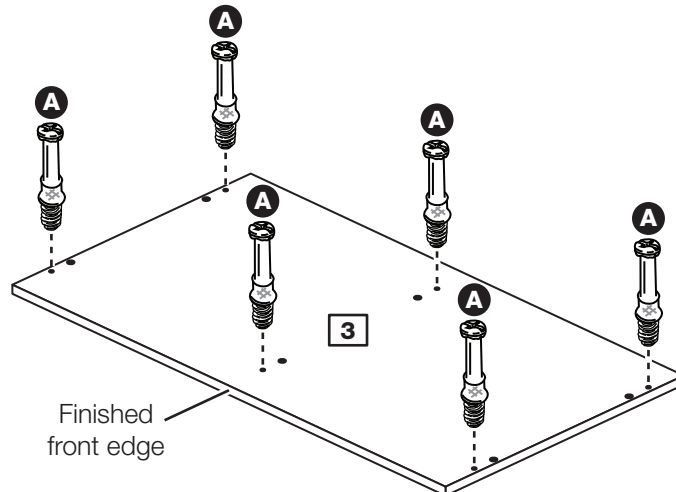
# Assembly Instructions

## Step 28

### Prepare the top

Screw 6 metal dowels **A** into the top **3**.

**Note:** The top panel has been finished on both surfaces.  
The base panel only has 1 finished surface.



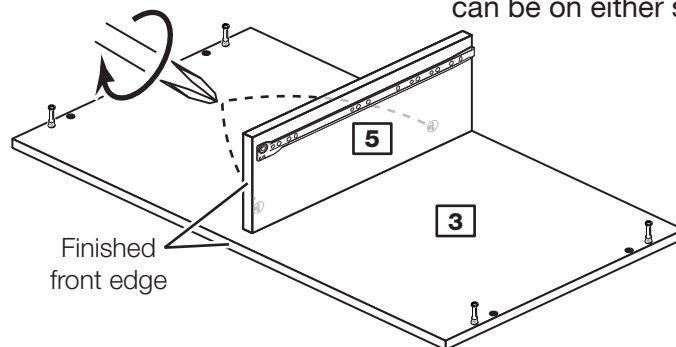
## Step 29

### Fit the divider to the top

Push divider **5** down onto the top **3**.

Use a screwdriver to tighten the 2 large locking nuts **B** fitted to the divider **5**.

**Remember:** The large locking nuts can be on either surface of the divider.



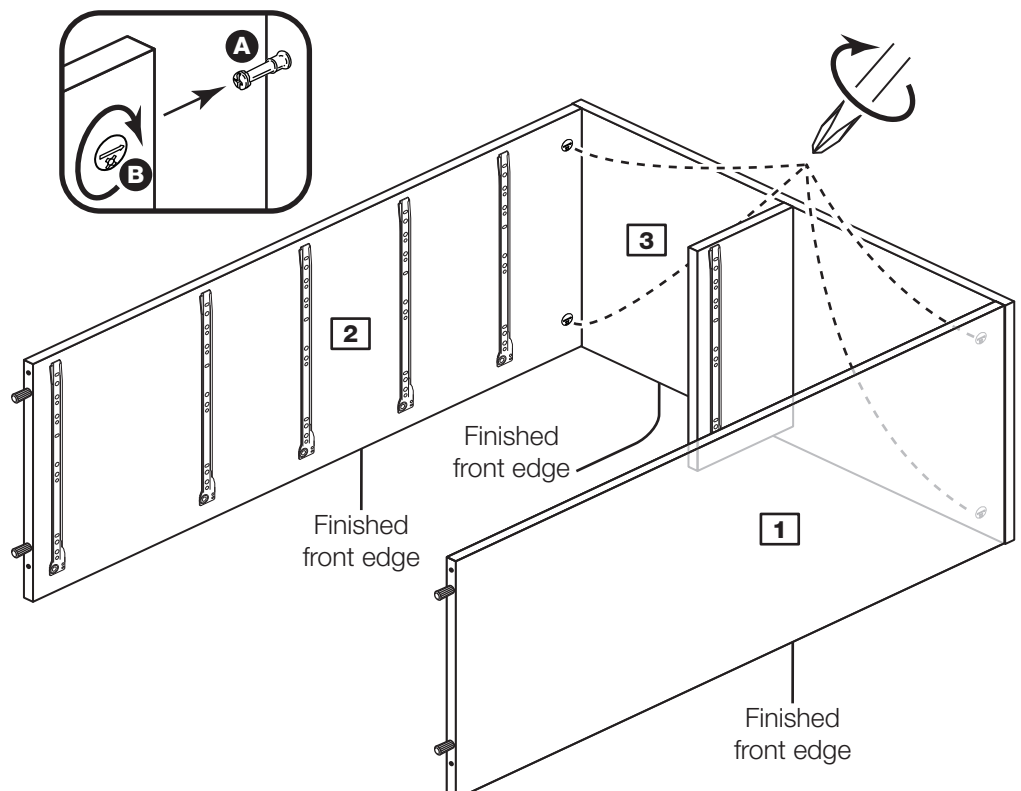
## Step 30

### Fit the sides to the top

Push the left side **1** and right side **2** onto the top **3**.

Use a screwdriver to tighten the 4 large locking nuts **B** fitted to the left side **1** and right side **2**.

**Note:** Turn the large locking nuts **B** as far as they will go - more than 1/2 a turn.

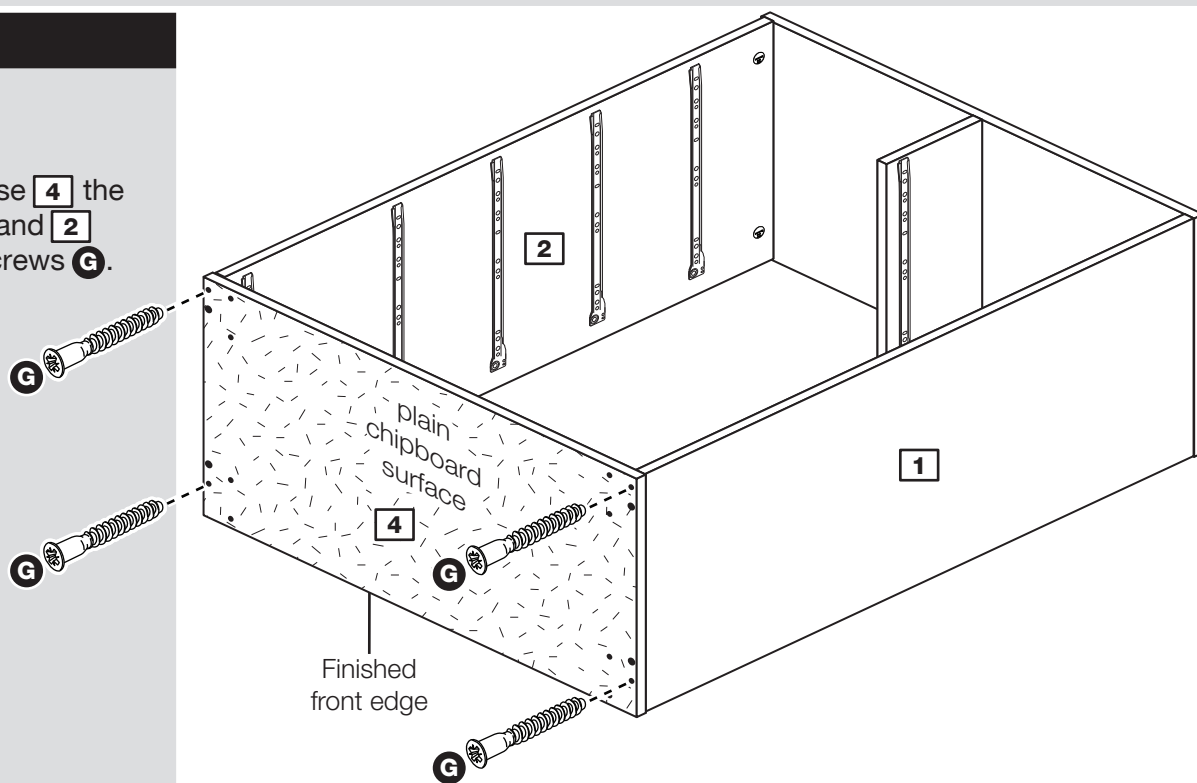


# Assembly Instructions

## Step 31

### Fit the base

Attach the base **4** to the sides **1** and **2** using the 4 screws **G**.

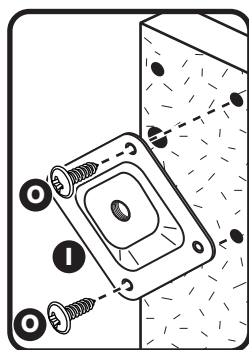


## Step 32

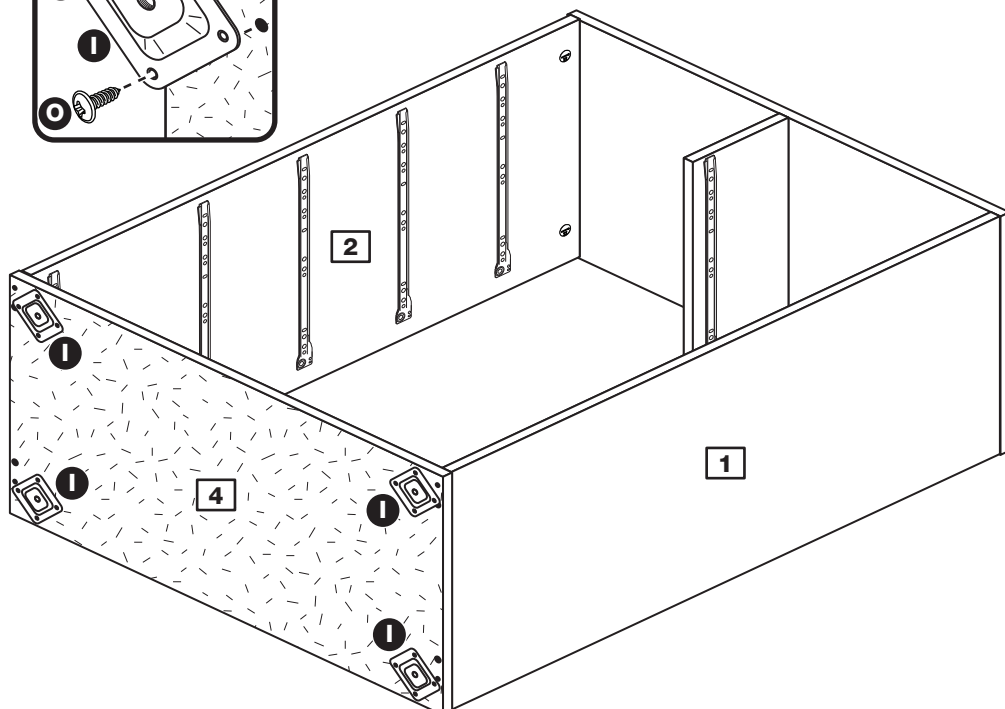
### Fit the leg brackets to the base

**a:** Screw each leg bracket **O** to the base **4** using 2 screws **I** into the mark holes.

**b:** Then use another 2 screws **I** into the other 2 holes.



**Note:** The raised part of the leg bracket must point towards the centre of the panel.



# Assembly Instructions

## Step 33

### Fit the back

**a:** Square up the unit by making sure that measurement **x** to **x** equals **y** to **y**.

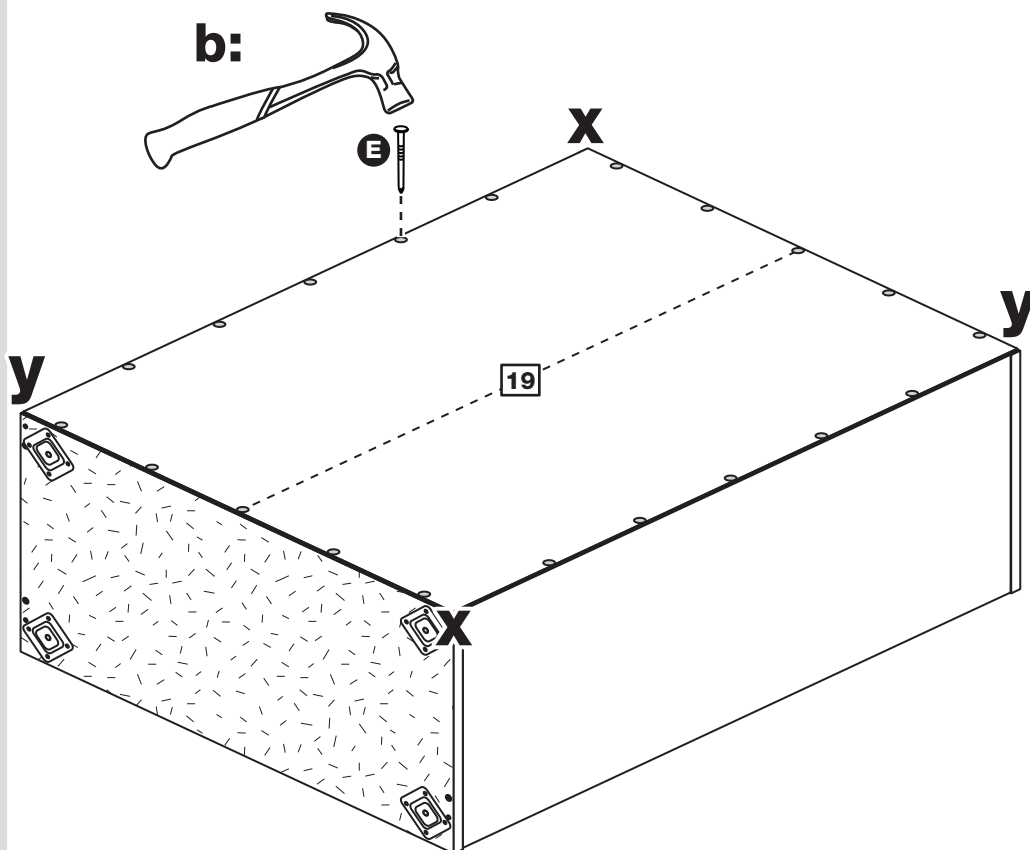
**b:** Place the back **19** onto the unit.

Nail **E** around the outside edges of the back **19**.

**Note:** Nails should be spaced about 150mm apart.

**Stand the unit up for the next step.**

**a:** The measurement from top corner X to bottom corner X must be equal to the measurement from top corner Y to bottom corner Y

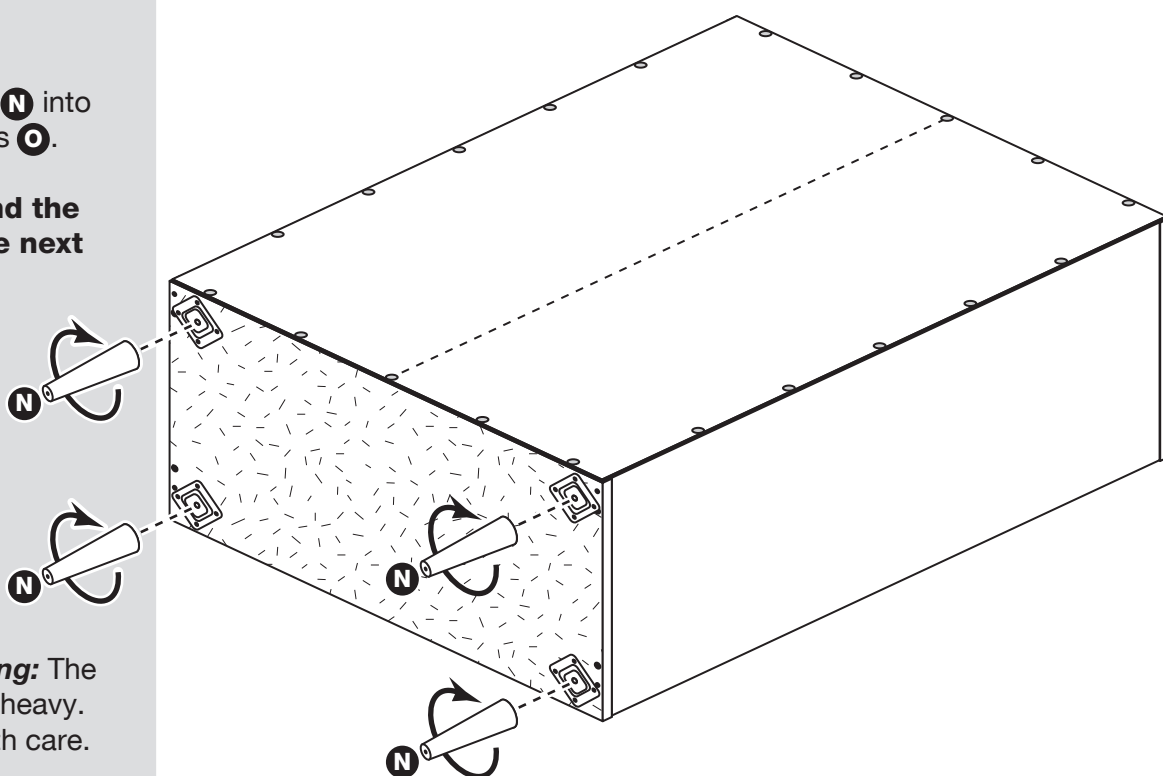


## Step 34

### Fit the legs

Screw the legs **N** into the leg brackets **O**.

**Carefully stand the unit up for the next step.**



**Warning:** The unit is heavy. Lift with care.

# Assembly Instructions

## Step 35

### Fit the overbalance protector and drawers

To prevent possible overbalancing we recommend that this unit is secured to a suitable wall by use of the overbalance protector kit **ⓐ** fitted to the unit or, an alternative fixing method of your choice.

Wall fixings are not supplied as they will need to suit the wall type.

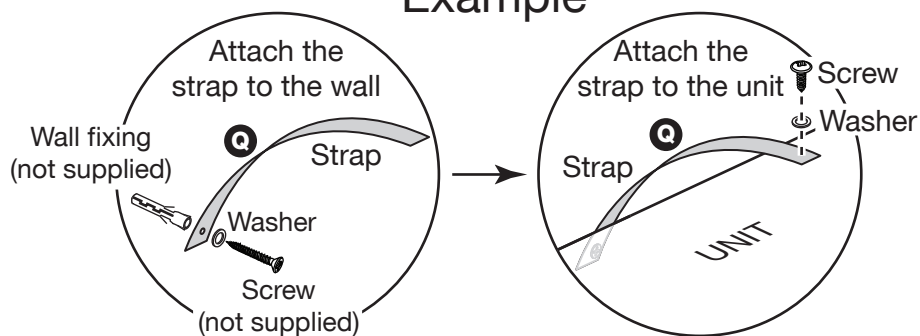
**Note:** Take care when drilling the wall that you do not drill into any pipes, wires etc. If in doubt, consult an expert.

Slide the wheels of the runners fitted to the drawers, over the wheels of the runners fitted to the side panels and push the drawers into position.

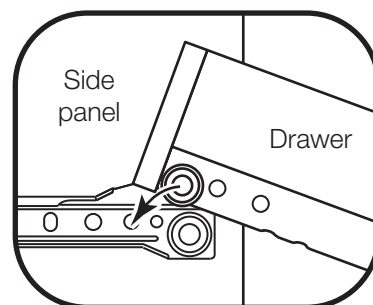
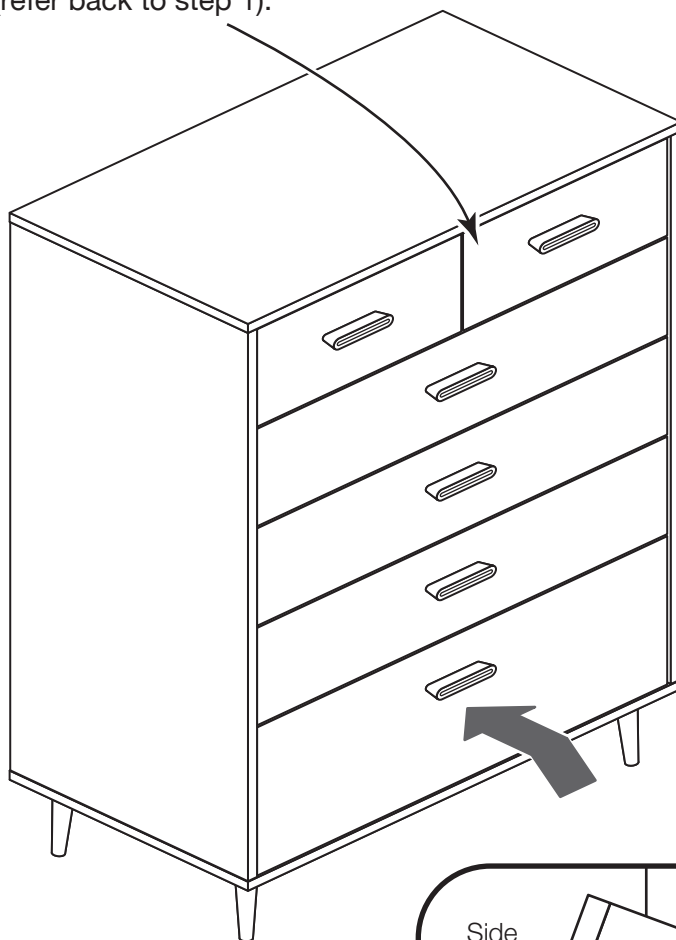


**Warning:** The unit is heavy. Lift with care.

### Example



**Note:** The top right drawer front has a small identification hole (refer back to step 1).



If you need help or have damaged or missing parts, call the Customer Helpline: 08456 400800 and quote the reference numbers on the component pages.

Argos Ltd, 489-499 Avebury Boulevard, Central Milton Keynes, MK9 2NW