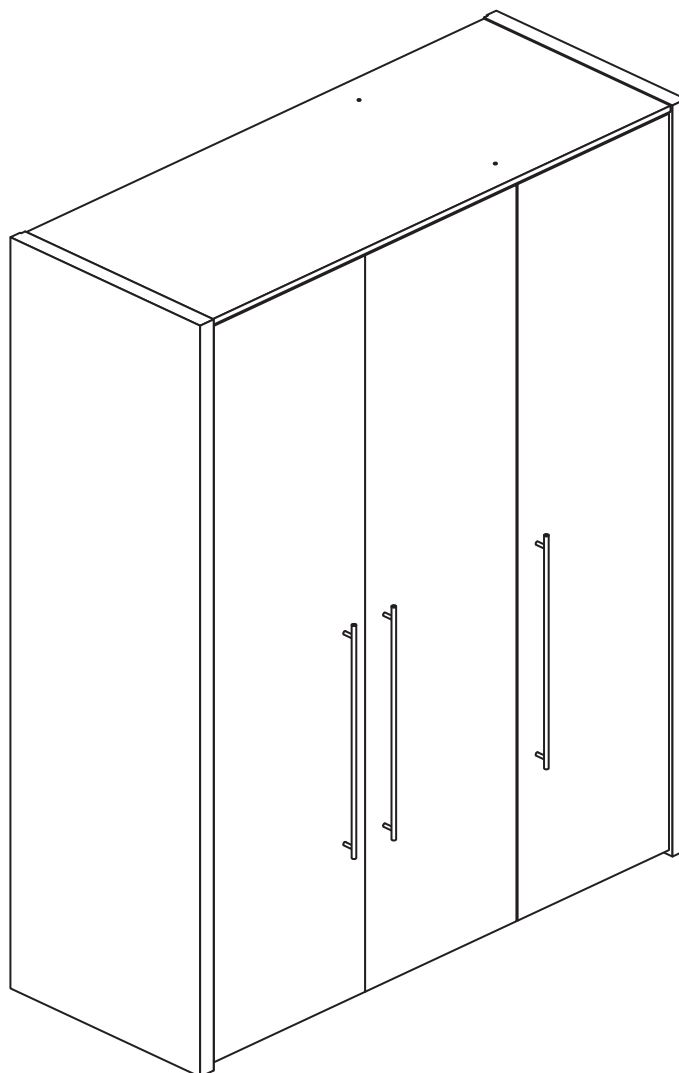


Hertford - 3 Door Robe

Assembly Instructions - Please keep for future reference

346/3390

357/4533



Dimensions

Width - 125.5cm

Depth - 49cm

Height - 194cm



**MADE IN
BRITAIN**

Important - Please read these instructions fully before starting assembly

If you need help or have damaged or missing parts, call the **Customer Helpline: 03456 400800**



Safety and Care Advice

Important - Please read these instructions fully before starting assembly

- **Warning:** This unit weighs approximately 80kgs. Please lift with care.
- Check you have all the components and tools listed on pages 1, 2 and 3.
- Remove all fittings from the plastic bags and separate them into their groups.
- Keep children and animals away from the work area, small parts could choke if swallowed.
- Parts of the assembly will be easier with 2 people.

- Make sure you have enough space to layout the parts before starting.
- Do not stand or put weight on the product, this could cause damage.
- Assemble the item as close to its final position (in the same room) as possible.
- Assemble on a soft level surface to avoid damaging the unit or your floor (use opened out unit carton).



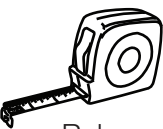
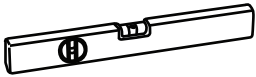

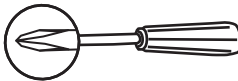

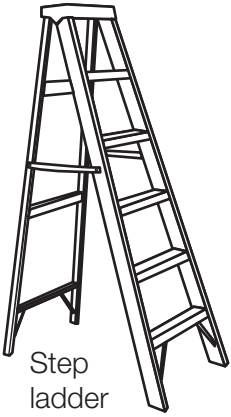



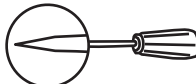
- We do not recommend the use of power drill/drivers **for inserting screws**, as this could damage the unit. Only use hand screwdrivers.

- **Safety note:** It is recommended that this unit is secured to a wall using the overbalance protector kit supplied or, an alternative fixing method of your choice.
- Dispose of all packaging carefully and responsibly.

Care and maintenance

- Only clean using a damp cloth and mild detergent, do not use bleach or abrasive cleaners.
- From time to time check that there are no loose screws on this unit.
- This product should not be discarded with household waste. Take to your local authority waste disposal centre.

Tools required

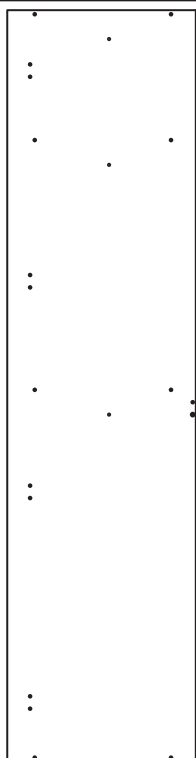
 Rule	 Spirit level	 Eye protection (when using a hammer or drill)	 Cross-head screwdriver	 Electric drill (only use when drilling into walls)	 Step ladder
 Square	 Scissors	 Hammer	 Bradawl		

Note: If required the next page can be cut out and used as reference throughout the assembly. Keep this page with these instructions for future reference.

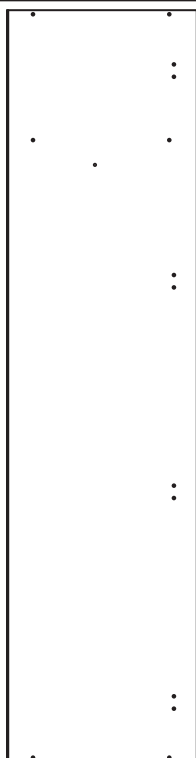
Components - Panels

If you have damaged or missing components, call the **Customer Helpline: 03456 400800** quoting the reference numbers below

Please check you have all the panels listed below



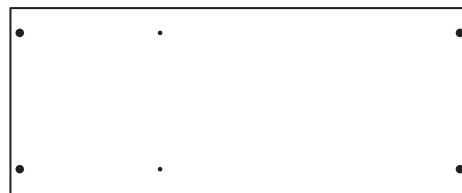
1 Left Side (DF368)
(1940 x 490mm)



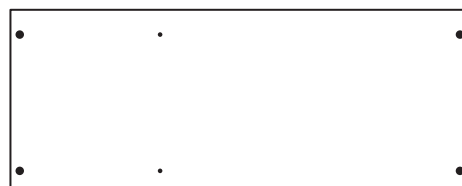
2 Right Side (DF2025)
(1940 x 490mm)



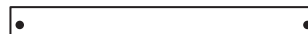
3 Divider (DF377)
(1905 x 462mm)



4 Top (DF370)
(1185 x 482mm)



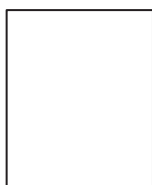
5 Base (DF371)
(1185 x 463mm)



6 Rail (DF372)
(791 x 78mm)



7 Large Shelf (DF375)
(791 x 461mm)



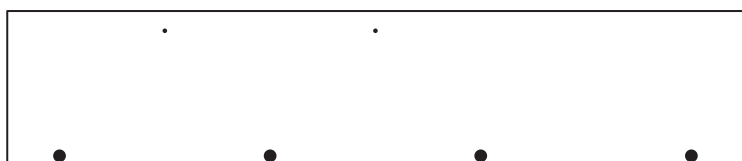
8 Small Shelf (DF376)
(378 x 461mm)



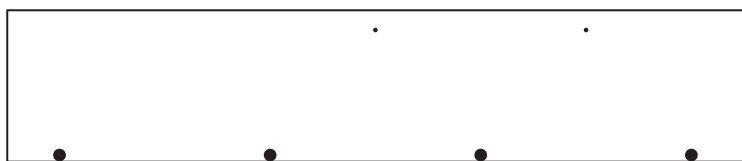
9 Hanging Rail (FHR373)
(373mm long)



10 Hanging Rail (FHR785)
(785mm long) x 2



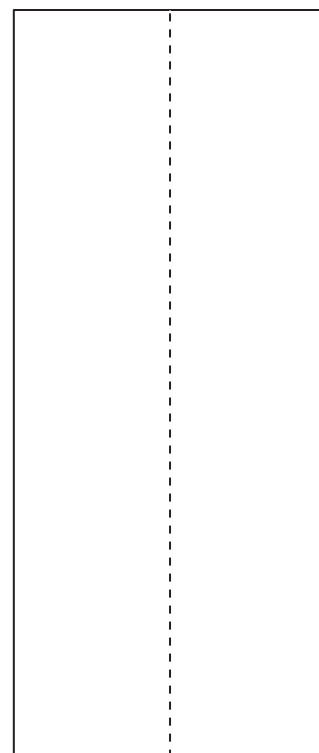
11 Left Door (DF373)
(1902 x 391mm)



12 Right Door (DF3136)
(1902 x 391mm) x 2



13 Small Back (X1931-394)
(1931 x 394mm)



14 Large Back (X1931-809)
(1931 x 809mm)

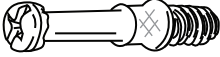

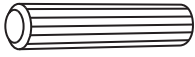



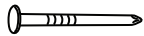
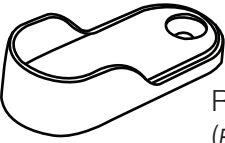
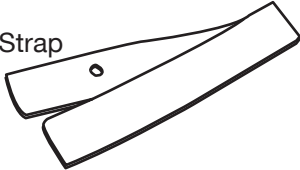

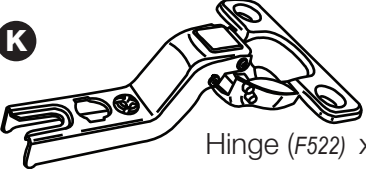


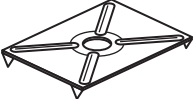

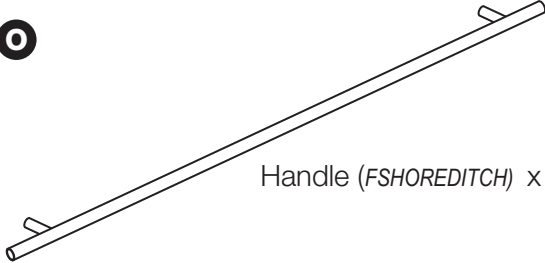


Components - Fittings

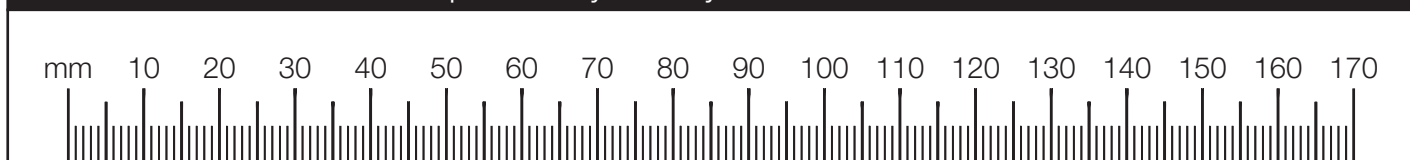
If you have damaged or missing components, call the **Customer Helpline: 03456 400800** quoting the reference numbers below

Please check you have all the fittings listed below

Note: The quantities below are the correct amount to complete the assembly. In some cases more fittings may be supplied than are required.

<p>A </p> <p>Metal dowel (F901) x 10</p>	<p>B </p> <p>Large locking nut (F900) x 10</p>	<p>C </p> <p>Wooden dowel (F22) x 2</p>
<p>D </p> <p>19mm Screw (F461) x 6</p>	<p>E </p> <p>13mm Screw (F63) x 36</p>	<p>F </p> <p>40mm Screw (F910) x 4</p>
<p>G </p> <p>Nail (F51) x 42</p>	<p>H </p> <p>Rail Holder (F891) x 6</p>	<p>I </p> <p>Strap</p>
<p>J </p> <p>Hinge plate (F523) x 12</p>	<p>K </p> <p>Hinge (F522) x 12</p>	<p> Screw Washer x 2</p> <p>Overbalance protector kit (F269) x 1</p>
<p>L </p> <p>Nail screw (F277) x 6</p>	<p>M </p> <p>Back holder (F276) x 6</p> <p>*These can also be round</p>	<p>N </p> <p>Shelf stud (F110) x 8</p>
<p>O </p> <p>Handle (FSHOREDITCH) x 3</p>		

Ruler - Use this ruler to help correctly identify the screws



Assembly Instructions

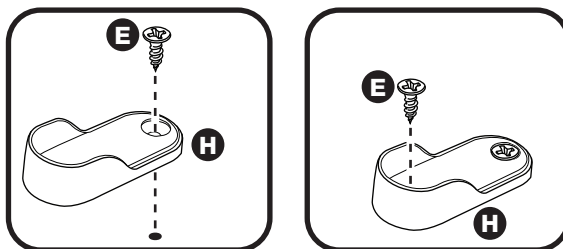
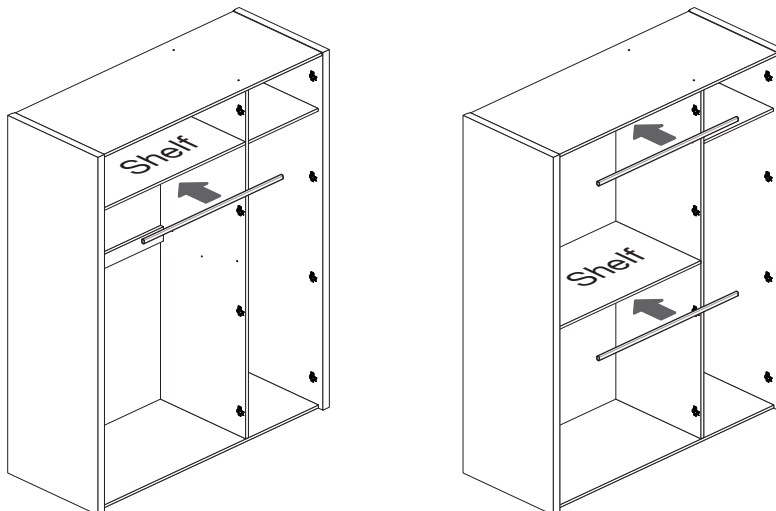
If you have damaged or missing components, call the Customer Helpline: 03456 400800 quoting the reference numbers below

Step 1

Start preparing the divider

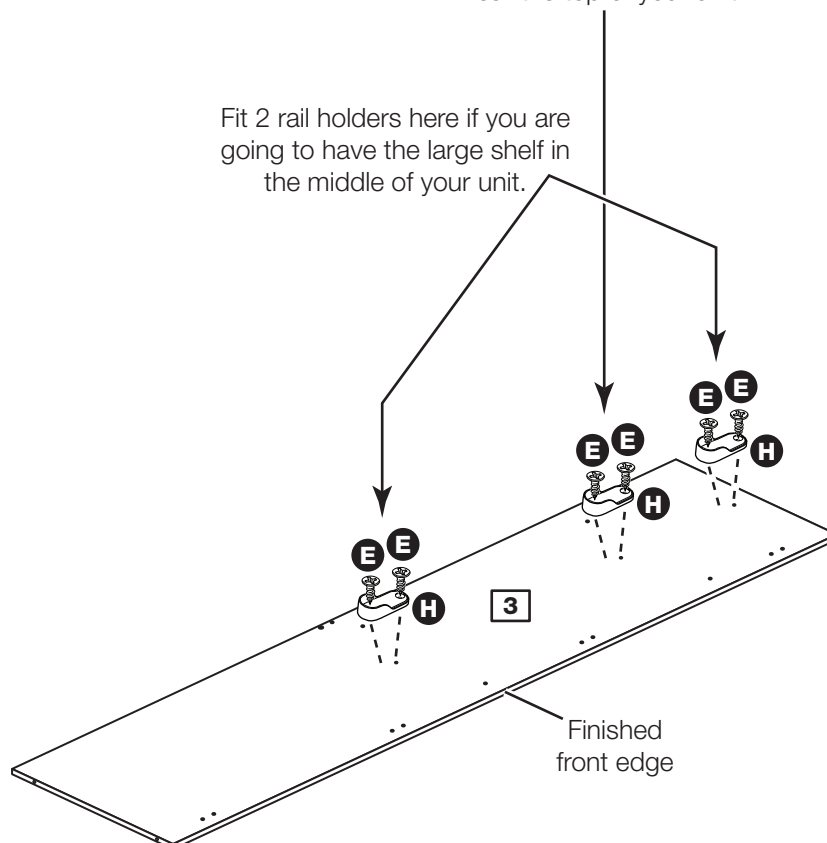
Please refer to the drawings opposite. You have a choice of 2 positions to fit the large shelf. This will then determine whether you need to fit 1 or 2 hanging rails in the positions shown.

To fit a rail holder **H** screw through the top hole with screw **E** and into the mark hole drilled in the divider **3**. Make sure that it is fitted straight, in line with the panel edges and then fit another screw **E** using the lower hole.



Fit 1 rail holder here if you are going to have the large shelf near the top of your unit.

Fit 2 rail holders here if you are going to have the large shelf in the middle of your unit.



Assembly Instructions

Step 2

Finish preparing the divider

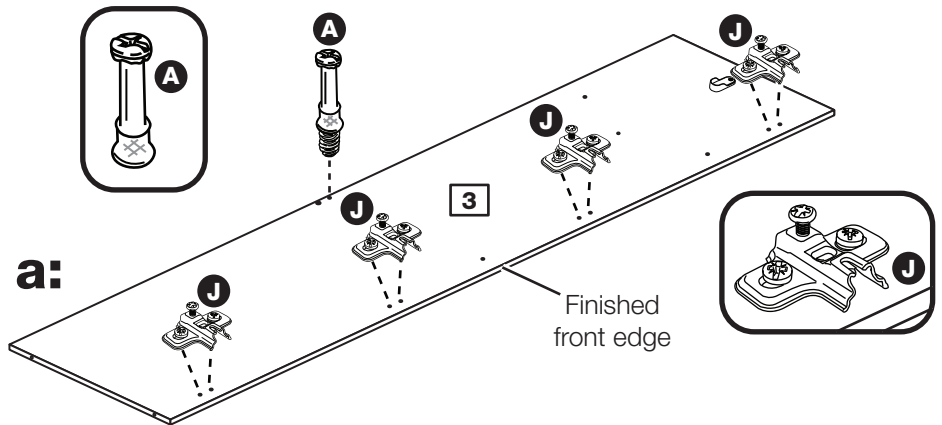
a: Screw a metal dowel **A** into the divider **3**.

Note: Tighten the metal dowels up fully against the panels.

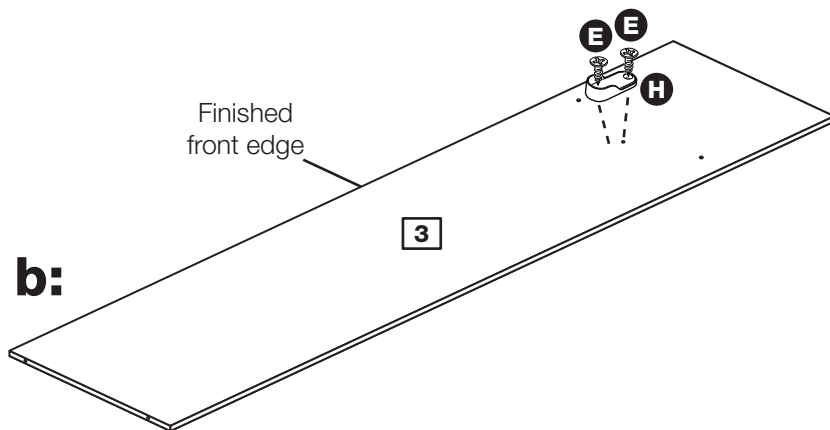
Fit 4 hinge plates **J** onto the divider **3**, making sure that the slot is facing towards the finished front edge.

Turn the divider over

b: To fit the rail holder **H** screw through the top hole with screw **E** and into the mark hole drilled in the divider **3**. Make sure that it is fitted straight, in line with the panel edges and then fit another screw **E** using the lower hole.



Turn the divider over



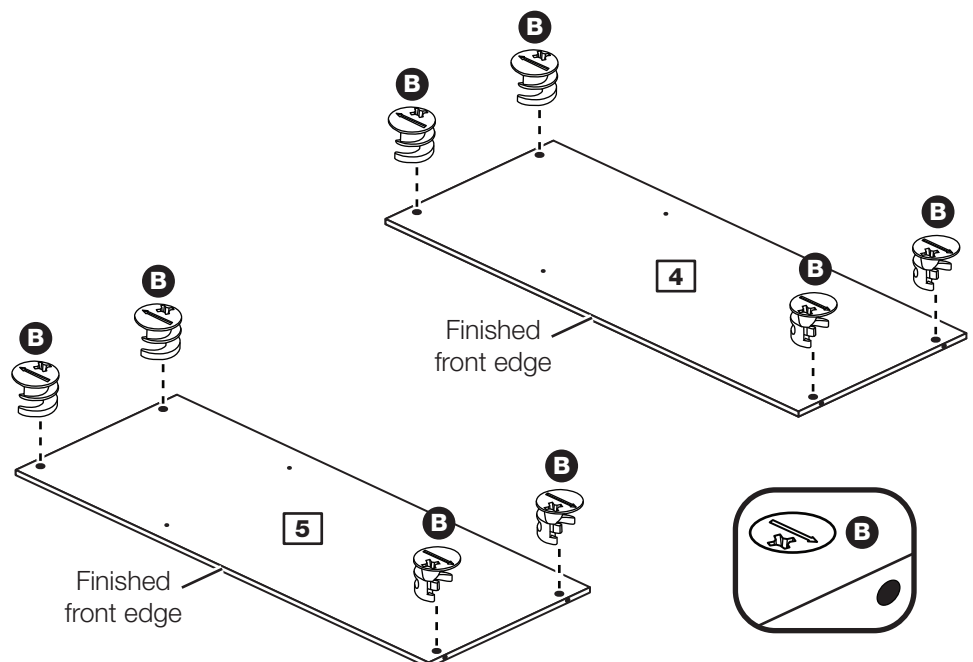
Step 3

Prepare the top and base

Insert 4 large locking nuts **B** into the top **4**.

Insert 4 large locking nuts **B** into the base **5**.

Note: The arrow on the locking nut **must** point towards the hole in the edge of the panel.



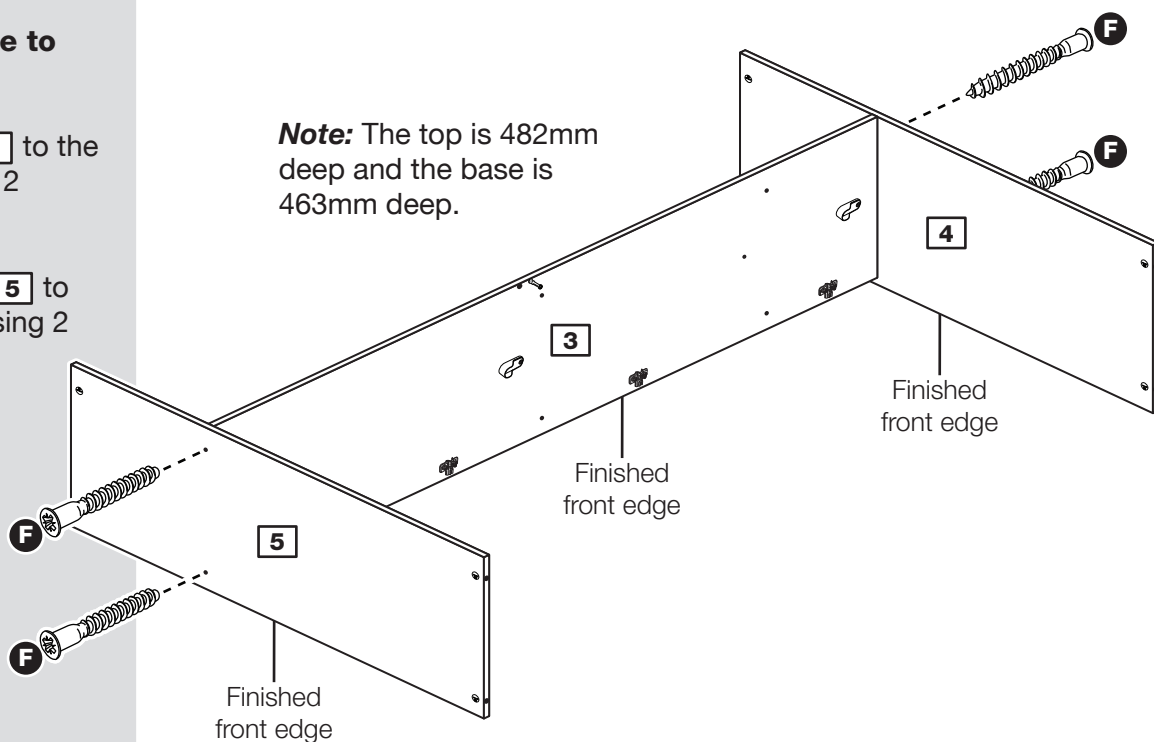
Assembly Instructions

Step 4

Fit top and base to the right side

Attach the top **4** to the divider **3** using 2 screws **F**.

Attach the base **5** to the divider **3** using 2 screws **F**.



Step 5

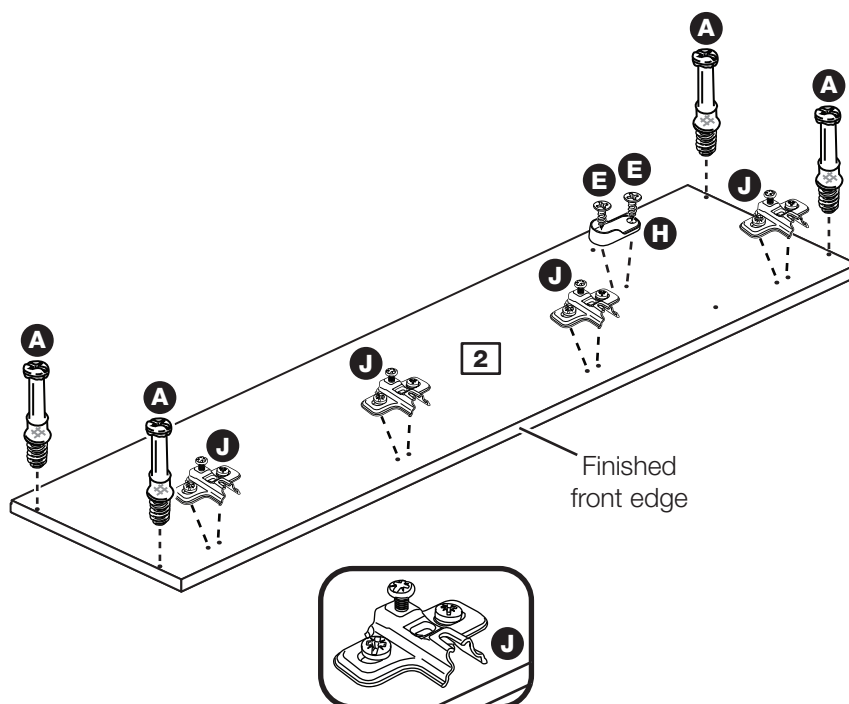
Prepare the right side

Screw 4 metal dowels **A** into the right side **2**.

Fit 4 hinge plates **J** onto the right side **2**, making sure that the slot is facing towards the finished front edge.

To fit the rail holder **H** screw through the top hole with screw **E** and into the mark hole drilled in the right side **2**.

Make sure that it is fitted straight, in line with the panel edges and then fit another screw **E** using the lower hole.



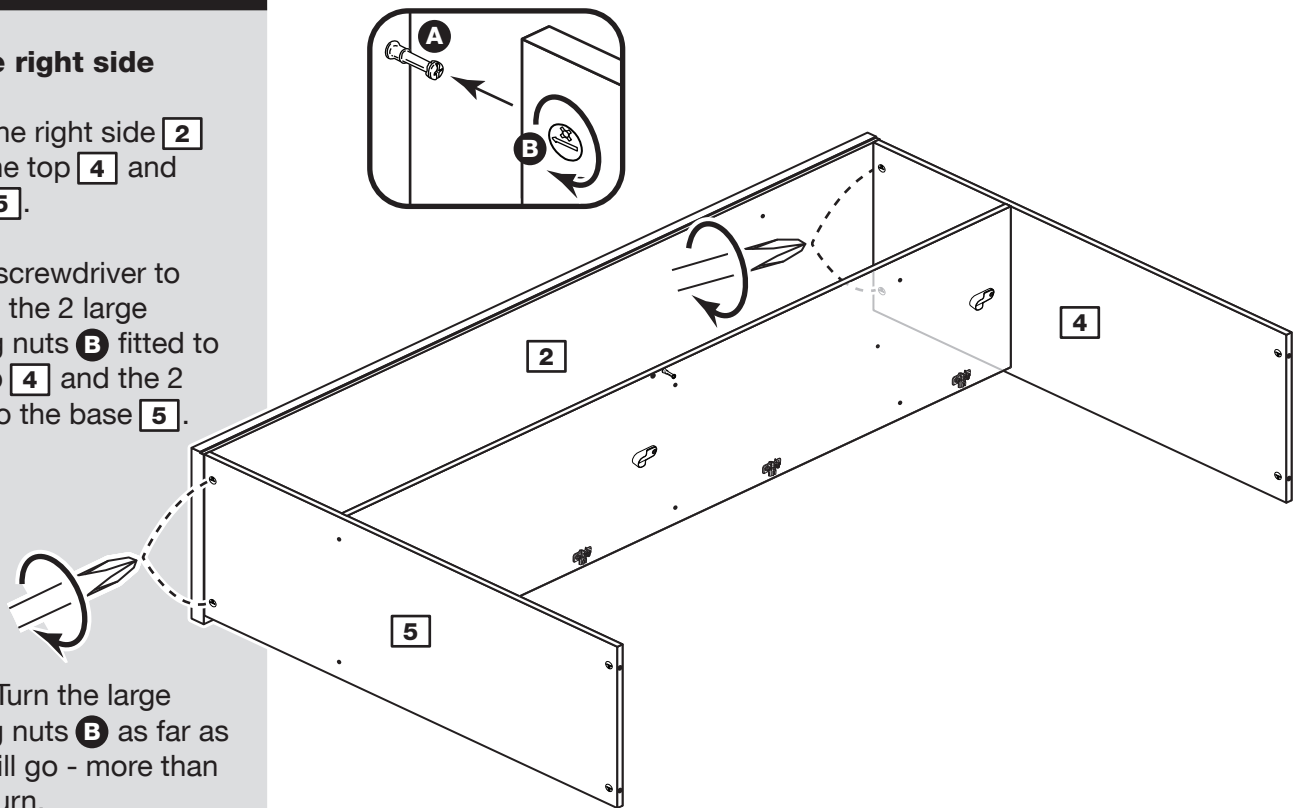
Assembly Instructions

Step 6

Fit the right side

Push the right side **2** onto the top **4** and base **5**.

Use a screwdriver to tighten the 2 large locking nuts **B** fitted to the top **4** and the 2 fitted to the base **5**.



Note: Turn the large locking nuts **B** as far as they will go - more than 1/2 a turn.

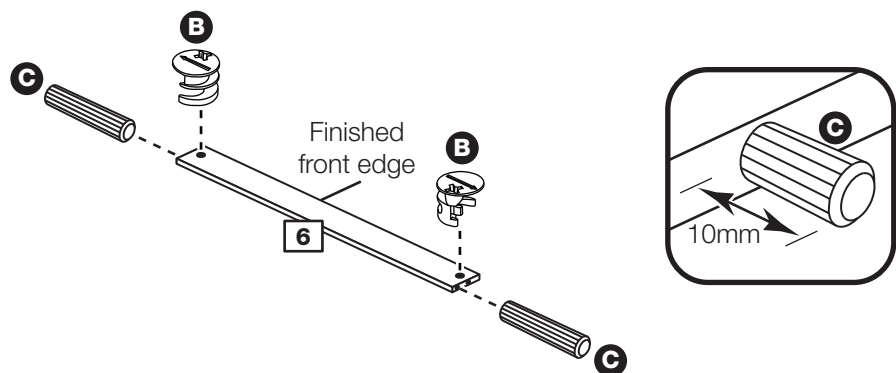
Step 7

Prepare the rail

Insert 2 large locking nuts **B** into the rail **6**.

Tap 2 wooden dowels **C** into the rail **6**.

Note: Wooden dowels **must not** stick out from the edge by more than 10mm or they may damage other panels.



Assembly Instructions

Step 8

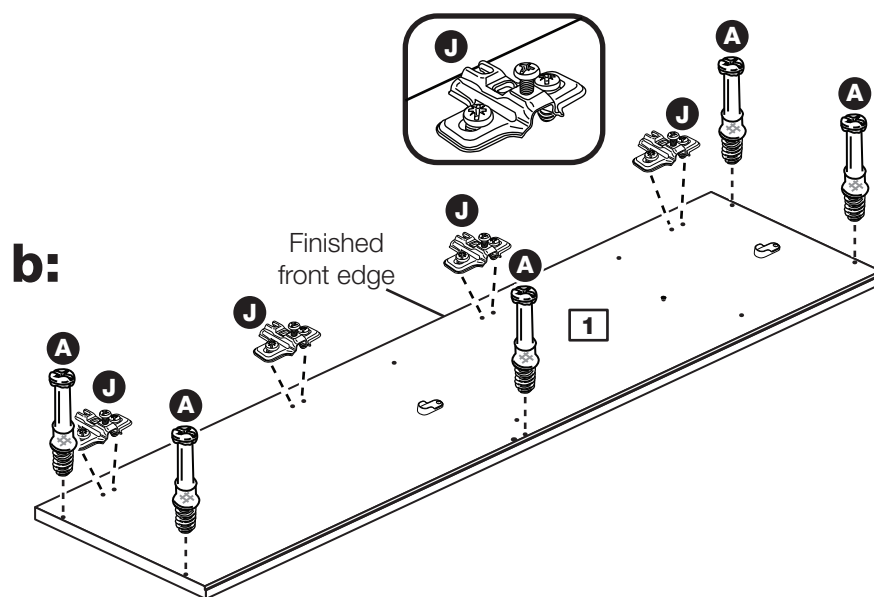
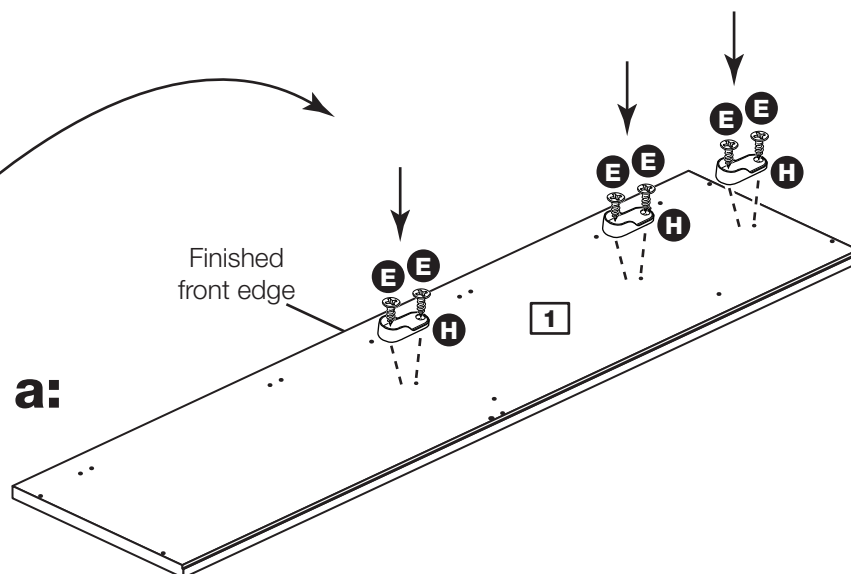
Prepare the left side

a: Fit 1 or 2 rail holders into the same position as you did in step 1 for the divider.

To fit the rail holder **H**, screw through the top hole with screw **E** and into the mark hole drilled in the left side **1**. Make sure that it is fitted straight, in line with the panel edges and then fit another screw **E** using the lower hole.

b: Screw 5 metal dowels **A** into the left side **1**.

Fit 4 hinge plates **J** onto the left side **1**, making sure that the slot is facing towards the finished front edge.



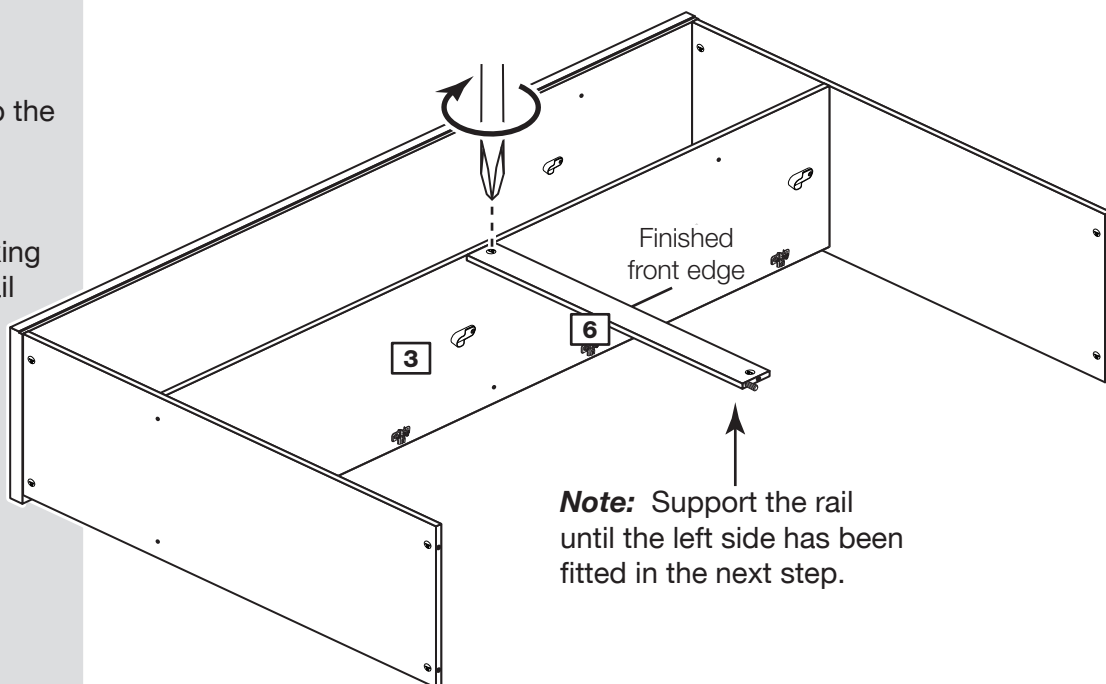
Assembly Instructions

Step 9

Fit the rail

Push the rail **6** onto the divider **3**.

Use a screwdriver to tighten the large locking nut **B** fitted to the rail **6**.

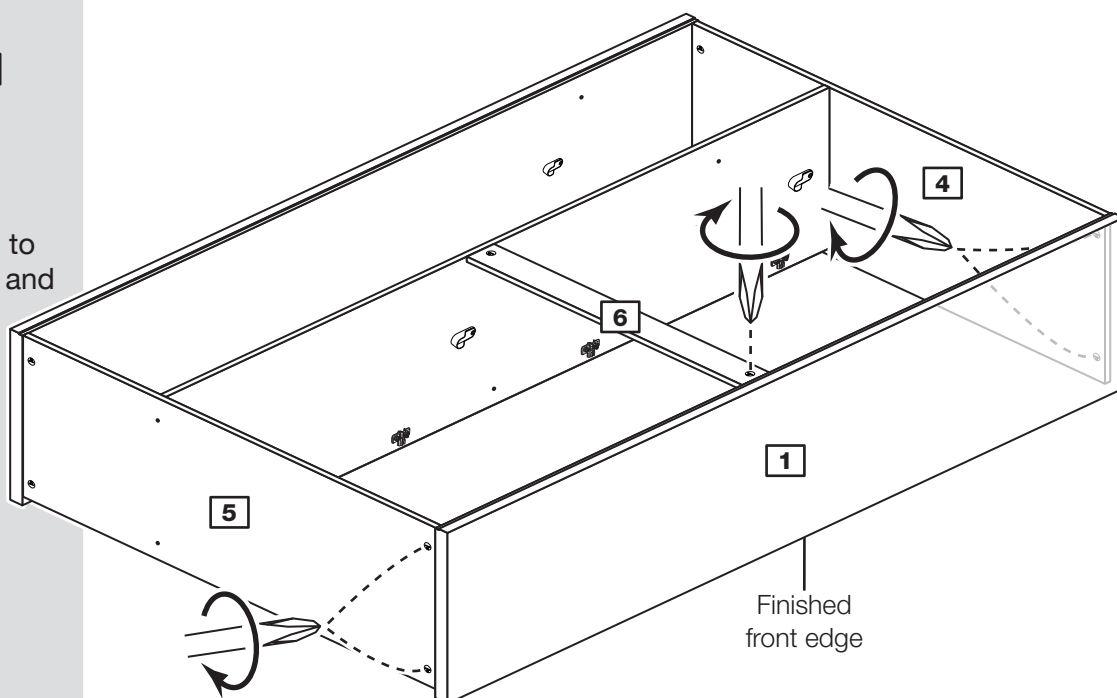


Step 10

Fit the left side

Push the left side **1** onto the assembly.

Use a screwdriver to tighten the 5 large locking nuts **B** fitted to the top **4**, base **5** and rail **6**.



Assembly Instructions

Step 11

Fit the back panels

a: Square up the unit by making sure that measurement **x:x equals y:y**.

Place the small back **13** and large back **14** down, onto the unit as shown.

Make sure that the 2 backs are pushed up tight against each other and that they meet in the centre of the upright's back edge.

b: Nail **G** around the outside edges of the 2 backs.

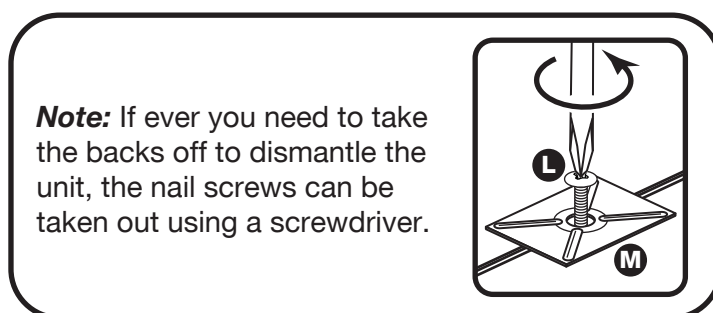
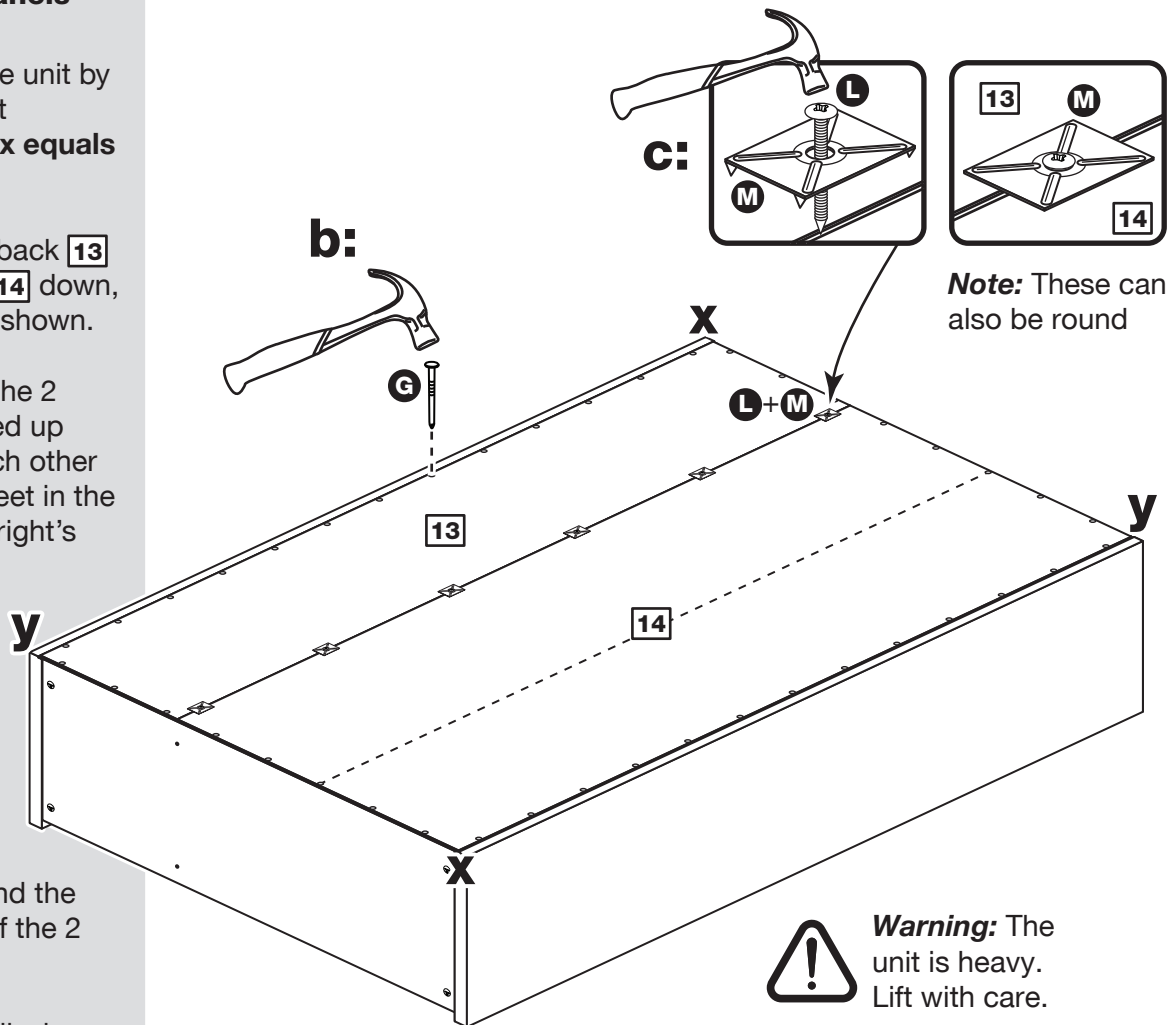
Note: Do not nail where the 2 backs meet and nails should be spaced about 150mm apart.

c: Push the 5 nail screws **L** through the 5 back holders **M** and tap them down between the small back **13** and large back **14** and into the back edge of the divider **3**.

Keep tapping the nail screws **L** in until the back holders **M** dig into the small and large back.

Carefully stand the unit up for the next step.

a: The measurement from top corner X to bottom corner X must be equal to the measurement from top corner Y to bottom corner Y



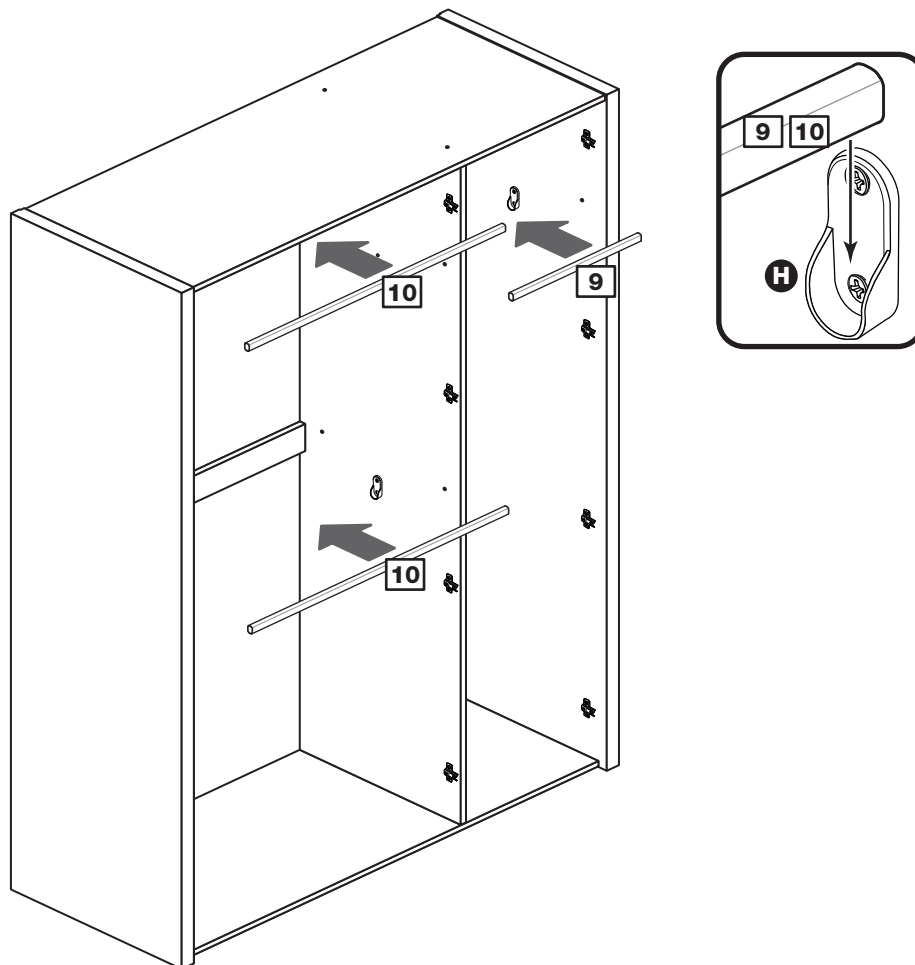
Assembly Instructions

Step 12

Fit the hanging rails

Push the small hanging rail **9** and large hanging rail(s) **10** into the rail holders **H** fitted to the panels.

Note: You may have chosen different large hanging rail positions to the ones shown.

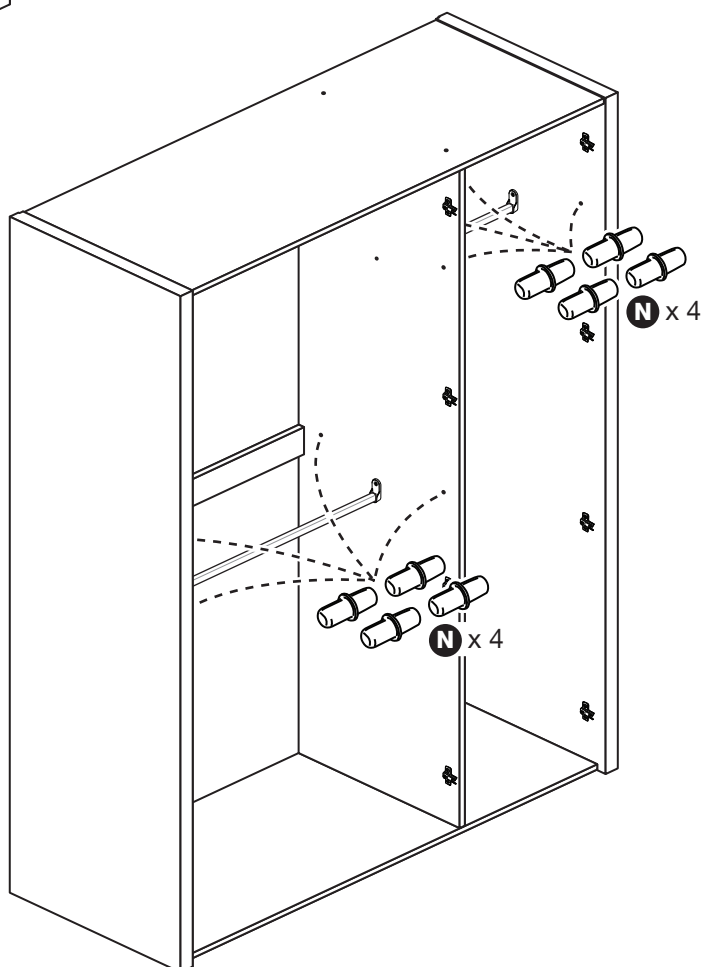


Step 13

Fit the shelf studs

Insert 4 shelf studs **N** for each shelf.

Note: You may have chosen a different position for the large shelf to the one shown.



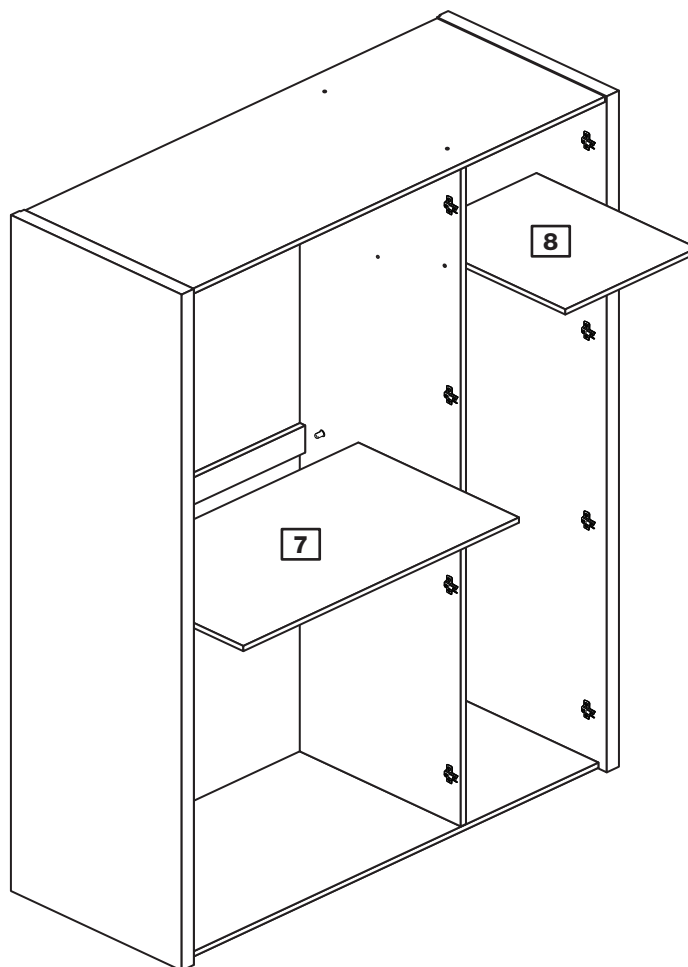
Assembly Instructions

Step 14

Fit the shelves

Lower the large shelf **7** and small shelf **8** down onto the shelf studs **N**.

Note: You may have chosen a different position for the large shelf to the one shown.



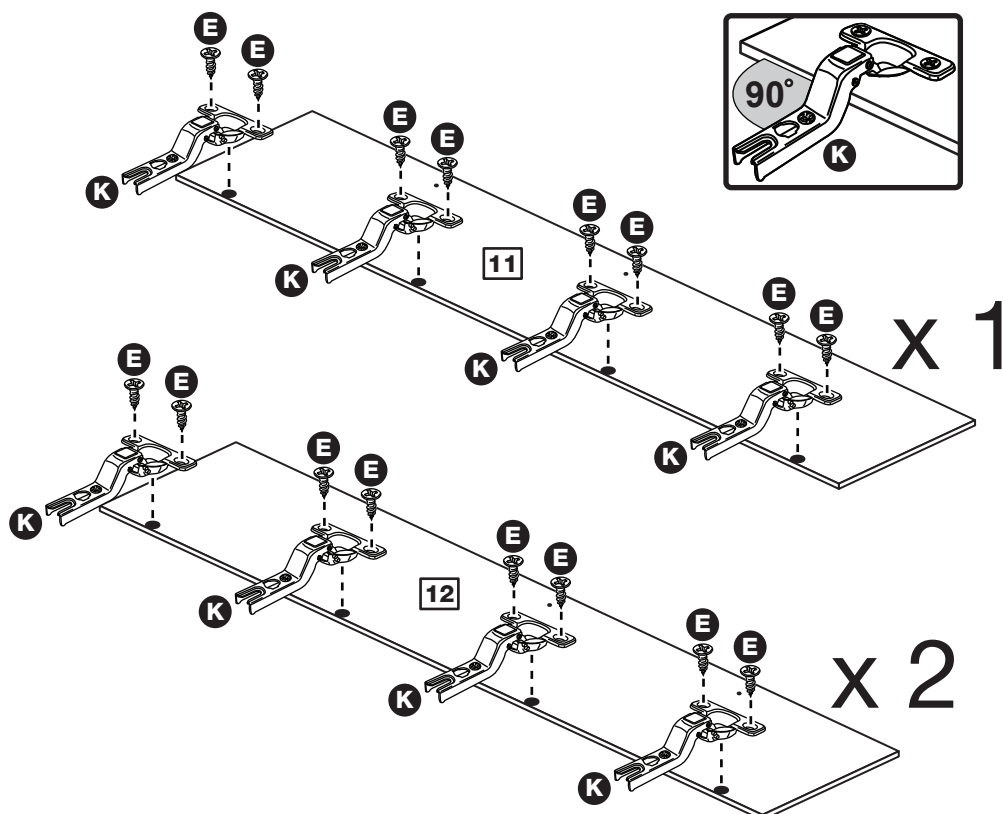
Step 15

Prepare the 3 doors

Push fit 4 hinges **K** into each of the 3 doors **11** and **12**.

Secure each hinge with 2 screws **E**.

Note: Before securing with the screws, make sure that the hinges are positioned at 90 degrees with the edge of the door.



Assembly Instructions

Step 16

Fit doors and handles

Note: The easiest way to attach each door **11** and **12** is to fit the top hinge first, then align and fit the other hinges.

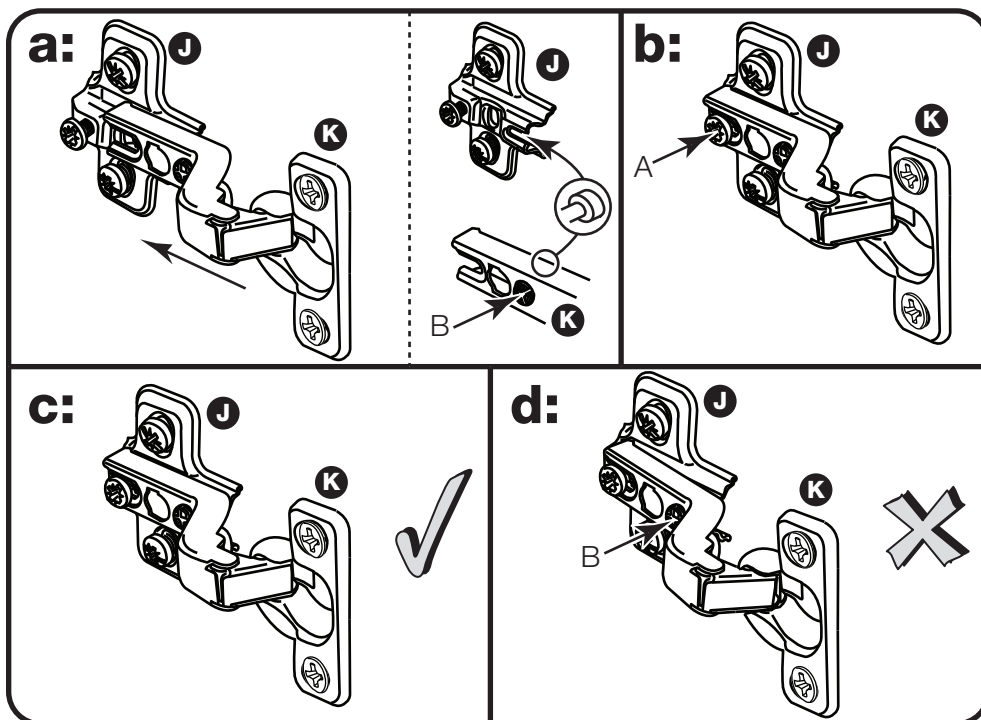
a: Push the hinge **K** onto the front part of the hinge plate **J**. The recess at the bottom of screw **B** goes into the slot in the hinge plate.

b: Keep the hinge **K** FLAT against the hinge plate **J** as you slide it across as far as it will go. Tighten screw **A**.

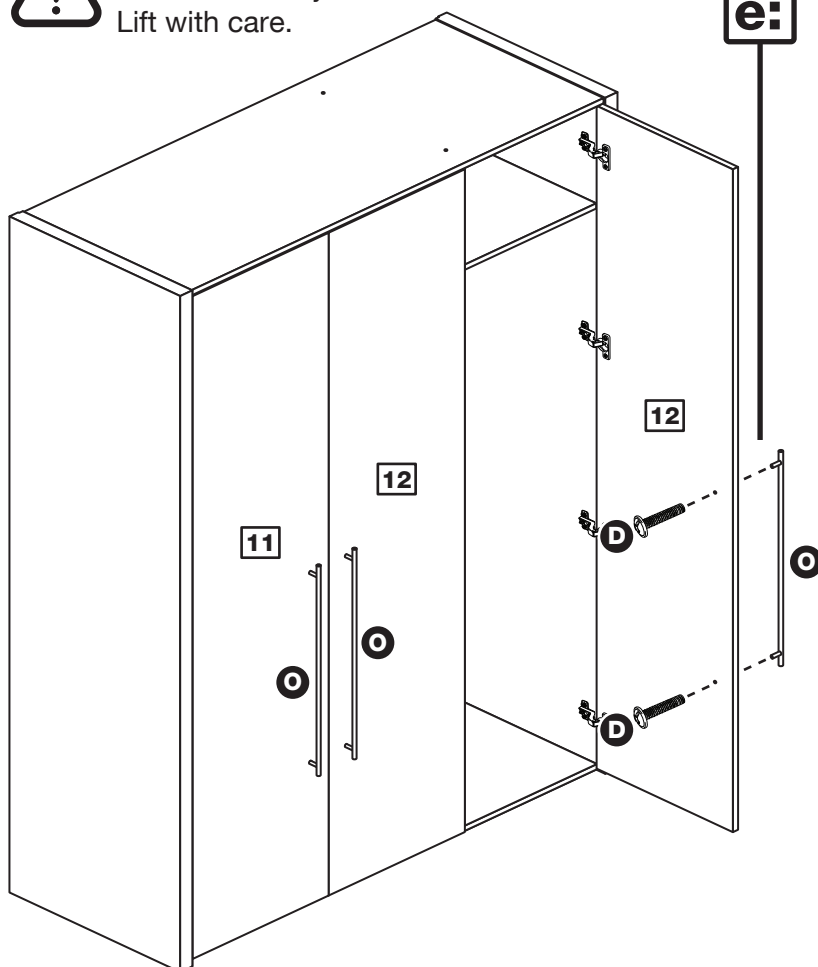
c: The hinge **K** must be flat against the hinge plate **J** prior to any adjustment.

d: The hinge **K** must NOT be AT AN ANGLE to the hinge plate **J** when assembled. This would indicate that the recess at the bottom of screw **B** had not located in the slot in the hinge plate and the hinge would not be secure. Remove the hinge from the hinge plate and then re-assemble being careful to follow instructions a-c.

e: Attach a handle **O** to each door **11** and **12** using screws **D**.



Warning: The doors are heavy. Lift with care.



Assembly Instructions

Step 17

Adjust the doors if needed

a: Before adjusting the doors, use a spirit level to check the base (or top) of the unit is level, front-to-back and side-to-side in the 3 positions shown. Use suitable packing pieces (not supplied) to make the unit level BEFORE making any adjustment to the hinges, as shown.

b: Height adjustment.

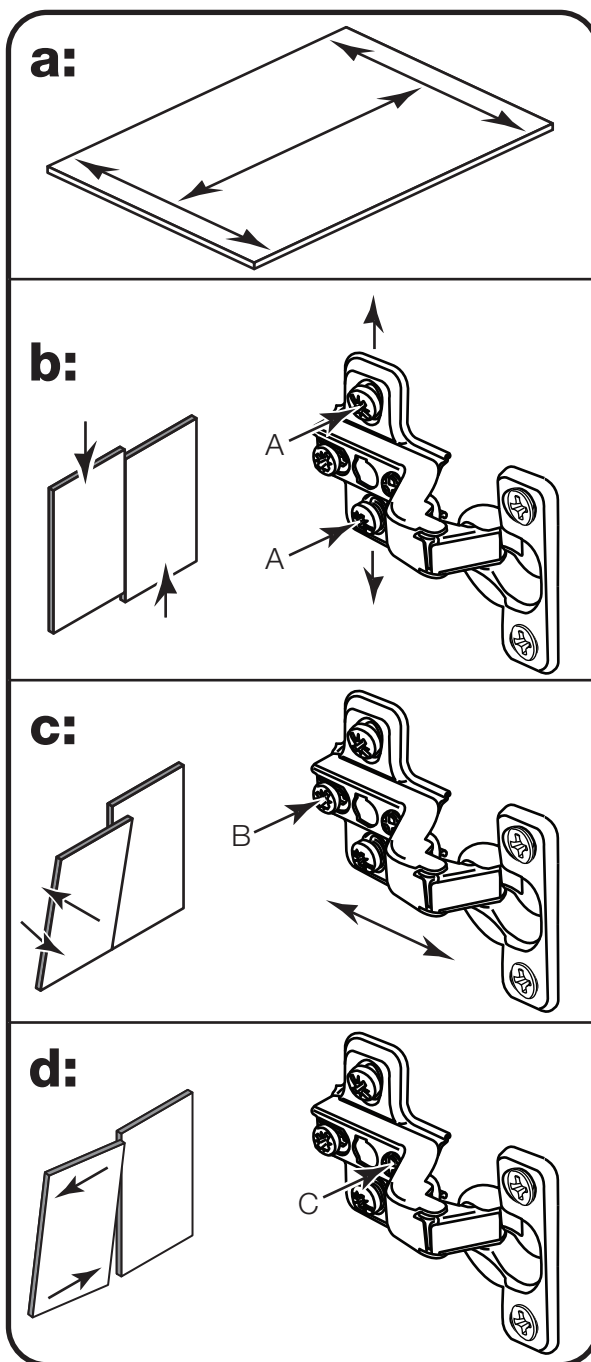
Loosen screws A on hinge plates and move door up or down as required. Retighten screw A.

c: Forward and Back adjustment.

Loosen screw B on hinge plate and move door in or out as required. Retighten screw B.

d: Sideways adjustment.

To move door 'out' loosen screw C. To move door 'in' tighten screw C.



Assembly Instructions

Step 18

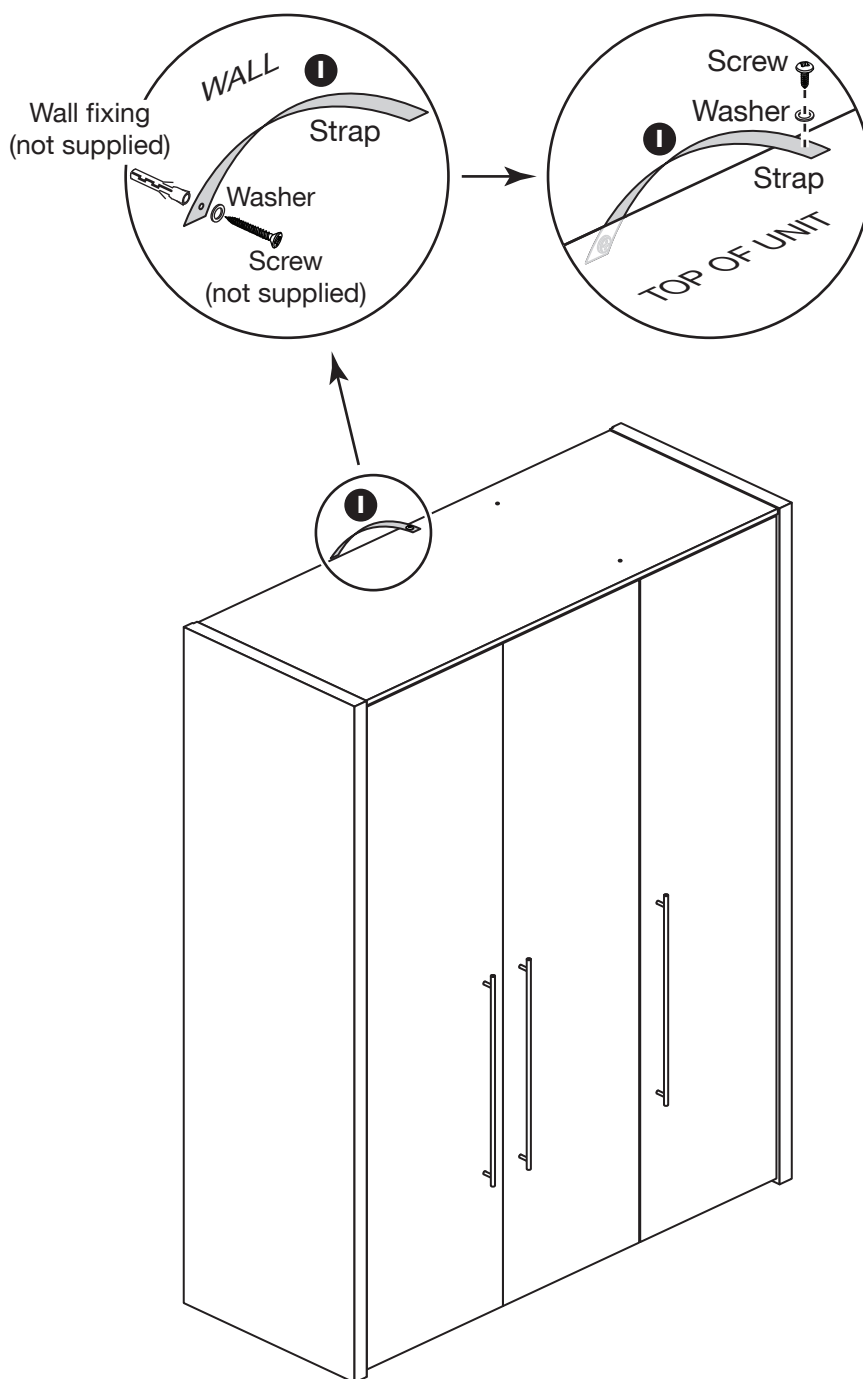
Fit the overbalance protector

To prevent possible overbalancing we recommend that this unit is secured to a suitable wall by fitting of the overbalance protector kit **1** to the unit, or an alternative fixing method of your choice.

Wall fixings are not supplied as they will need to suit the wall type.

Note: Take care when drilling the wall that you do not drill into any pipes, wires etc. If in doubt, consult an expert.

Assembly is complete



Note: Now the assembly has finished you can remove any protective film from the doors.

If you need help or have damaged or missing parts, call the **Customer Helpline: 03456 400800** and quote the reference numbers on the component pages.

Argos Ltd, 489-499 Avebury Boulevard, Central Milton Keynes, MK9 2NW