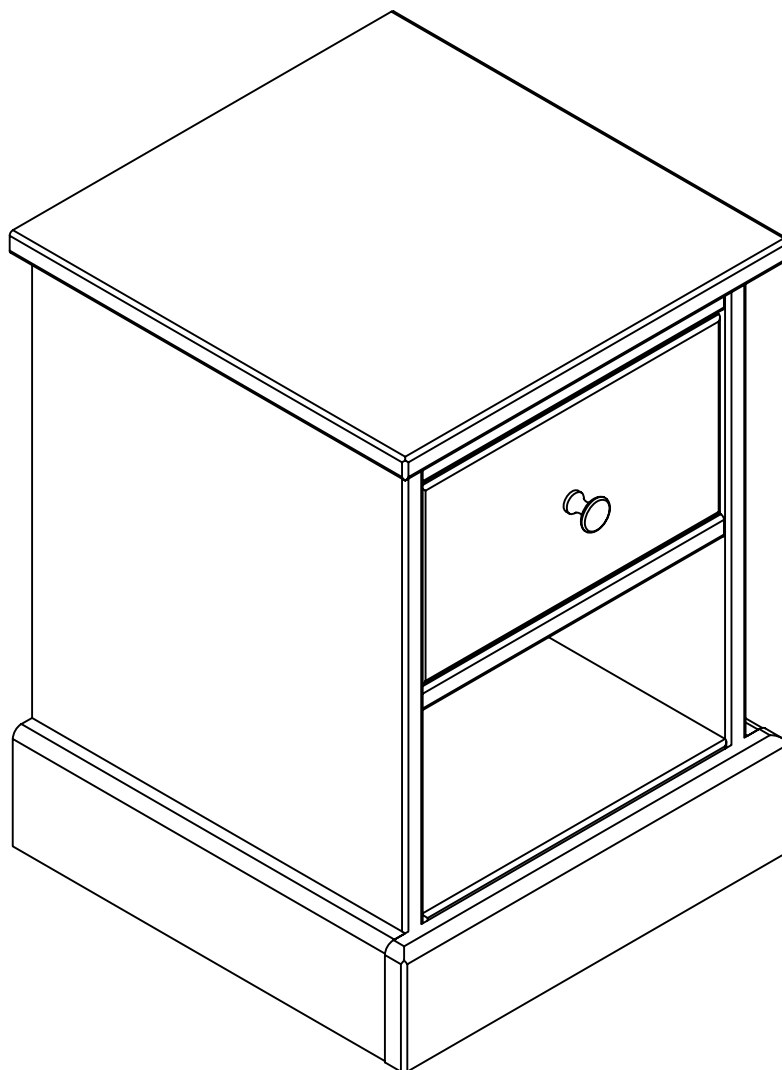


Joseph Bedside

Assembly Instructions - Please keep for future reference

345/8240



Dimensions

Width - 36cm
Depth - 37cm
Height - 50cm

Important - Please read these instructions fully before starting assembly

If you need help or have damaged or missing parts, call the
Customer Helpline: Argos = 0345 6400 800



Safety and Care Advice

Important - Please read these instructions fully before starting assembly

- Check you have all the components and tools listed on pages 2 and 3.

- Remove all fittings from the plastic bags and separate them into their groups.

- During assembly keep children and animals away from the work area due to possible risk of injury and small parts could choke if swallowed.

- Do not stand or put weight on the product, this could cause damage.

- Assemble the item as close to its final position (in the same room) as possible.

- Assemble on a soft level surface to avoid damaging the unit or your floor.

- Parts of the assembly will be easier with 2 people.



power drill is set on a low torque setting.

- To reduce the likelihood of damaging your product please ensure that your

Care and maintenance

- Only clean using a damp cloth and mild detergent, do not use bleach or abrasive cleaners.

- From time to time check that there are no loose screws on this unit.

- This product should not be discarded with household waste. Take to your local authority waste disposal centre.

Handy Hints

- Assemble all parts and bolts loosely during assembly, only once the product is complete should you fully tighten the bolts

- Regularly check and ensure that all bolts and fittings are tightened properly.

Warnings

- Do not use this item if any components are missing or damaged.

- Assembly to be carried out by a competent adult only.
- Make sure you have enough space to layout the parts before starting.

- Retailer: Argos Ltd. MK9 2NW

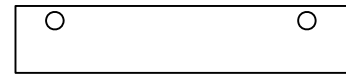
Components - Panels

If you have damaged or missing components, call the Customer Helpline: Argos = 0345 6400 800

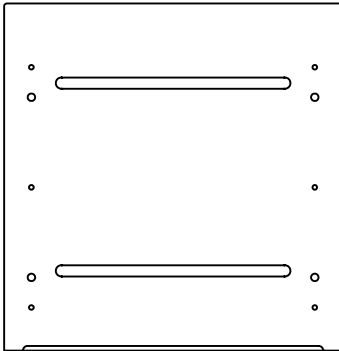
Please check you have all the panels listed below



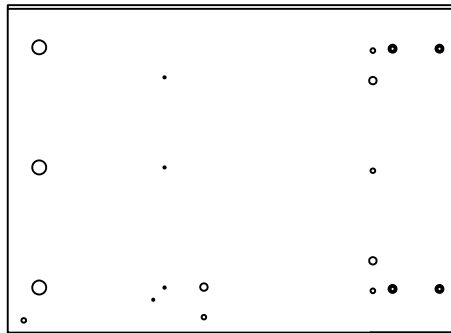
2 Cross bar, front x1 (28.4 × 3.4cm)



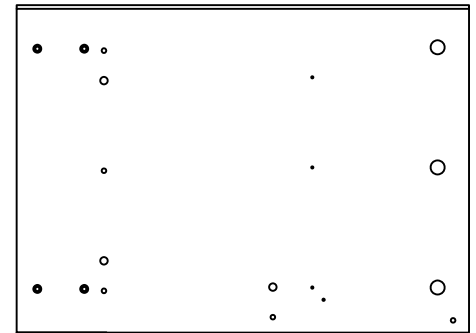
3 Cross bar, bottom x1 (28.4 × 5.7cm)



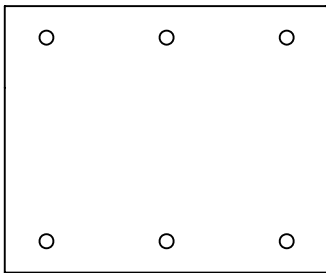
1 Top panel x1 (36 × 37cm)



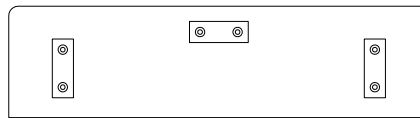
4 Side panel, Left x1 (48.2 × 34.9cm)



5 Side panel, Right x1 (48.2 × 34.9cm)



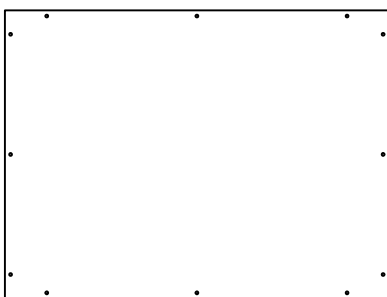
6 Bottom board x1 (28.4 × 34.5cm)



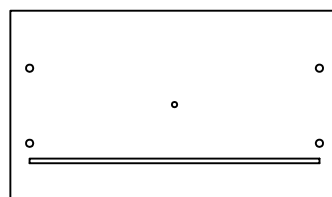
7 Plinth, front x1 (35.8 × 9.5cm)



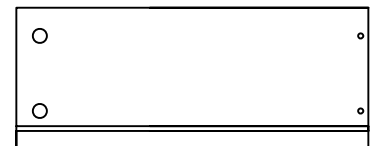
8 Side plinth x2 (34.9 × 9.5cm)



9 Back panel x1 (40.9 × 30.7cm)



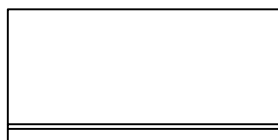
10 Drawer front x1 (28 × 16cm)



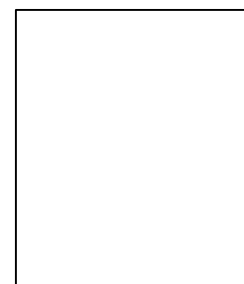
11 Drawer side, left x1 (30 × 12cm)



12 Drawer side, right x1 (30 × 12cm)



13 Drawer back x1 (23.5 × 11.7cm)

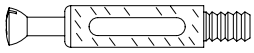
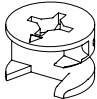


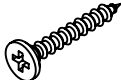
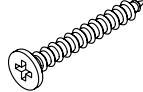
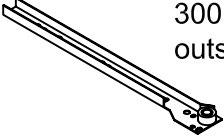
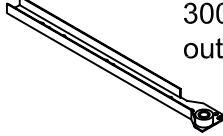
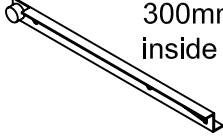
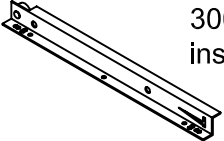
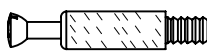
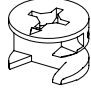

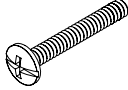
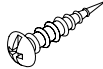


14 Drawer bottom x1 (24.6 × 29.9cm)

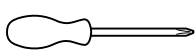
Components - Fittings

Please check you have all the fittings listed below

Note: The quantities below are the correct amount to complete the assembly. In some cases more fittings may be supplied than are required.

<p>A  Large locking pin × 16</p>	<p>B  Large locking nut × 16</p>	<p>C  Wooden dowel × 10</p>
<p>D  Ø3.5 × 15mm Screw for Runner × 14</p>	<p>E  Ø3.5×25mm Screw × 4</p>	<p>F  Ø3.5×30mm Screw × 12</p>
<p>G  300mm Runner outside left × 1</p>	<p>H  300mm Runner outside right × 1</p>	<p>I  300mm Runner inside left × 1</p>
<p>J  300mm Runner inside right × 1</p>	<p>K  Small locking pin × 4</p>	<p>L  Small locking nut × 4</p>
<p>M  Handle × 1</p>	<p>N  Screw for handle × 1</p>	<p>O  Ø3.0×15mm Screw × 12</p>

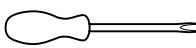
Tools required



Phillips screwdriver (medium & large)



Rubber mallet



Flatblade screwdriver (medium)

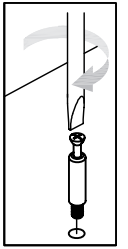
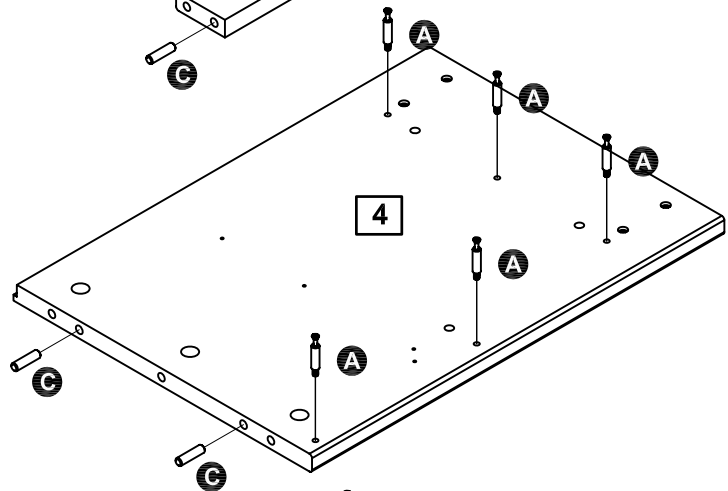
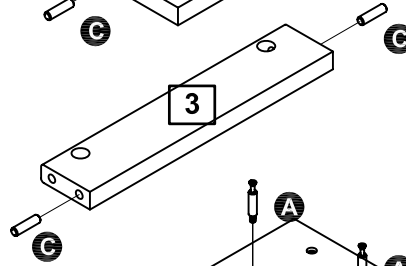
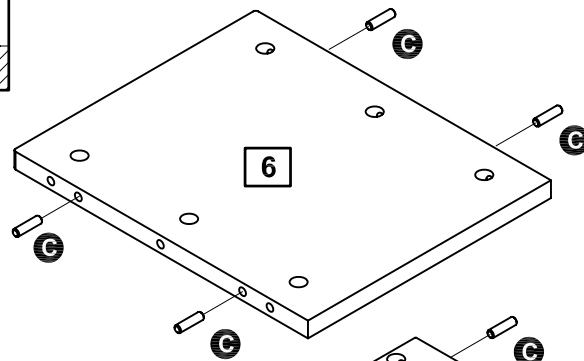
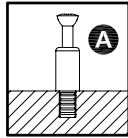
Ruler - Use this ruler to help correctly identify the screws



Assembly Instructions

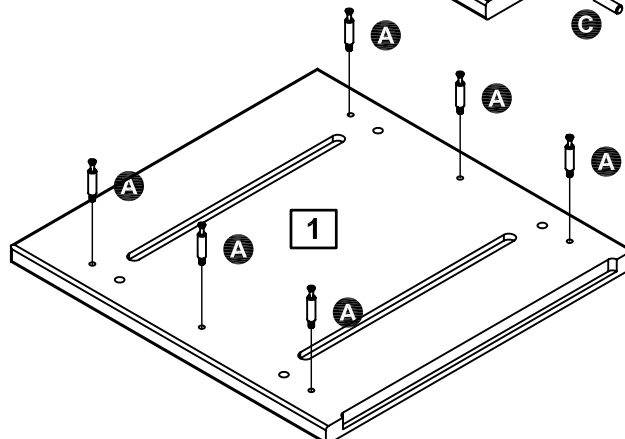
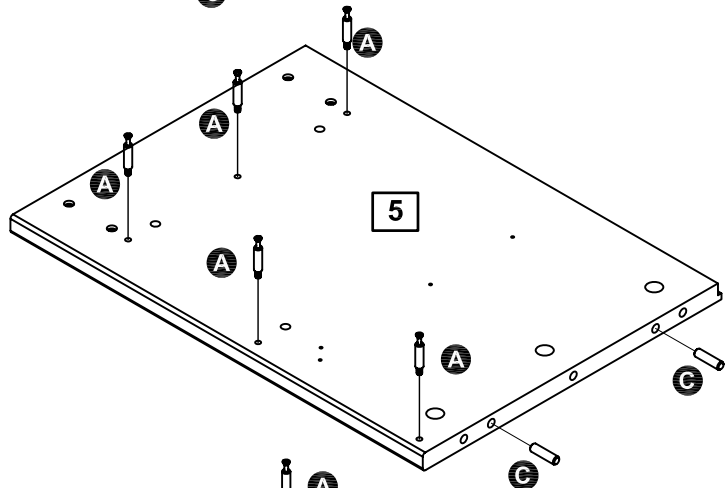
Step 1

Insert Wooden dowels **G** to Bottom board **6** Cross bar **3** and Side panels **4** **5** as show on picture.



Step 2

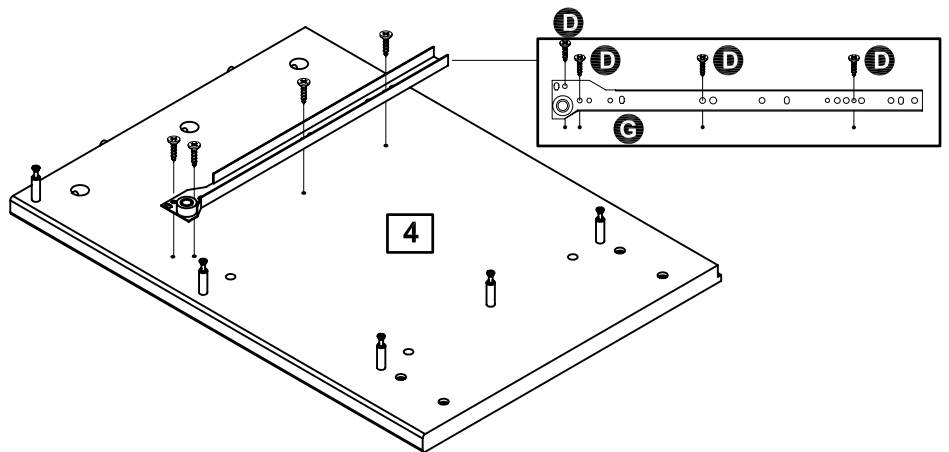
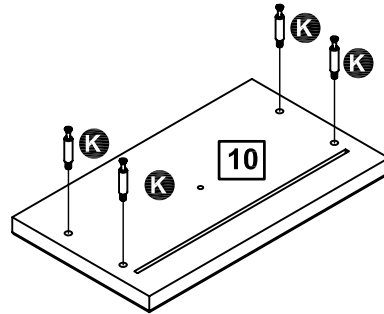
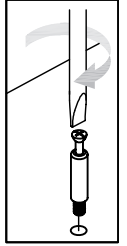
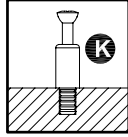
Insert Large Locking plins **A** to Side panels **4** **5** and Top panel **1** as show on picture.



Assembly Instructions

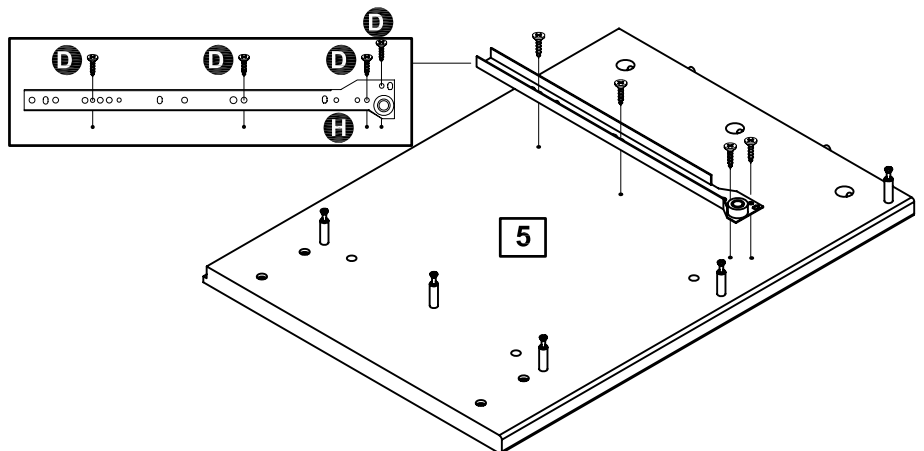
Step 3

Insert Small Locking nuts **K** to Drawer front **10** as show on picture.



Step 4

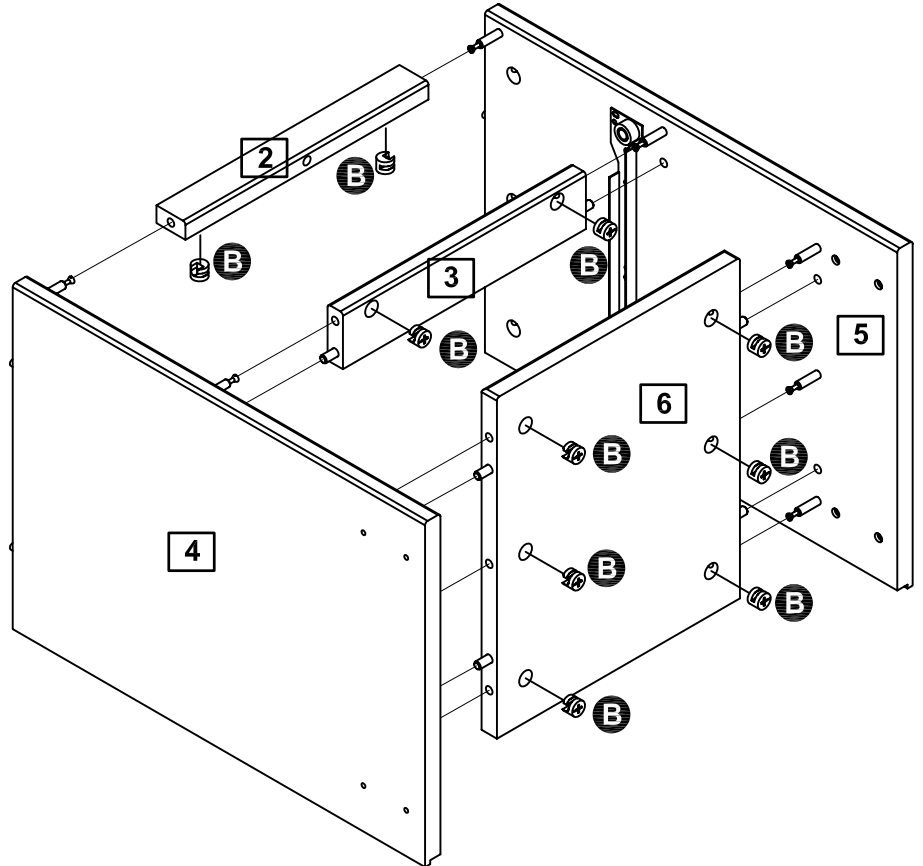
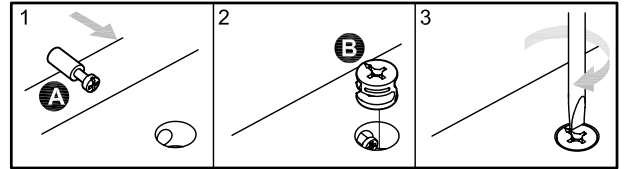
Attach the Runner **G** to the Side panel **4**, and Runner **H** to the side panel **5**, fix them using Screw **D**.



Assembly Instructions

Step 5

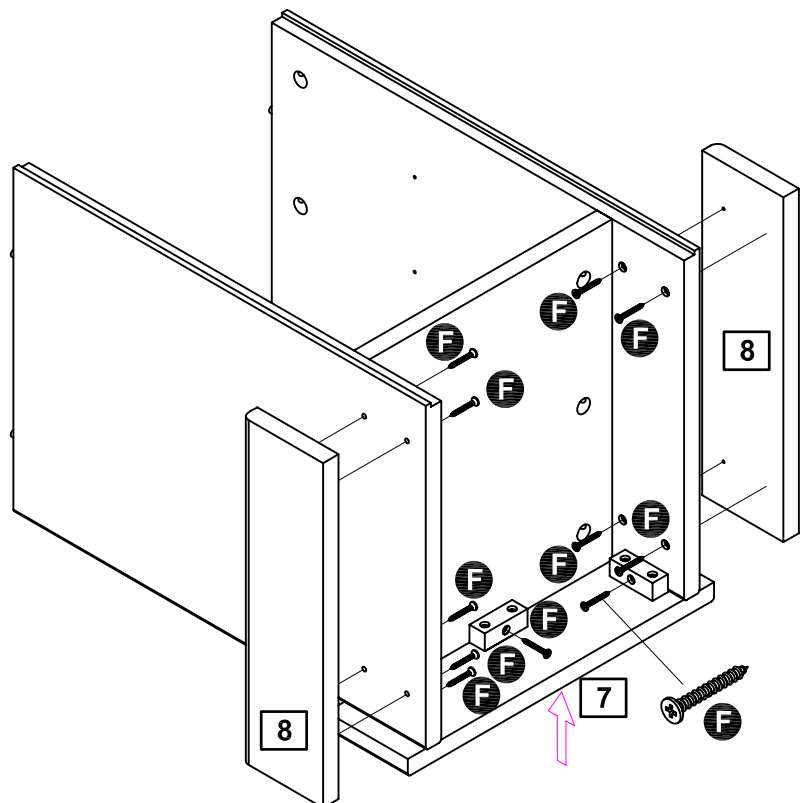
Attach Cross bar **2** & **3** and Bottom board **6** to Side panels. **4** **5**
Insert Large locking nut **B**, use screw driver turn clock wise to lock..



Step 6

Attach Front plinth **7** to the unit, fix by Screw **F**.

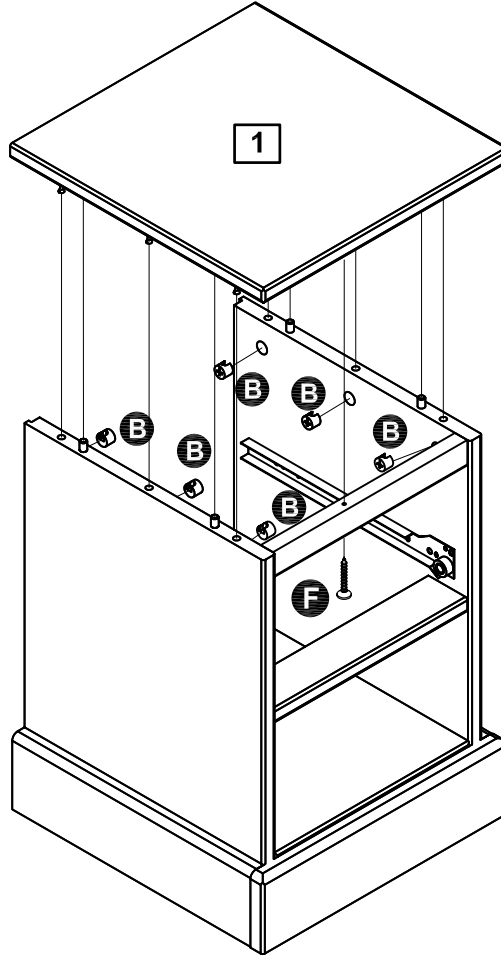
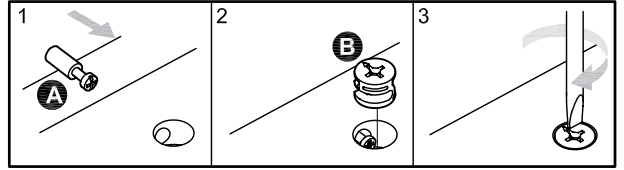
Attache Side plinthes **8** to the side panels, fix by Screw **F**.



Assembly Instructions

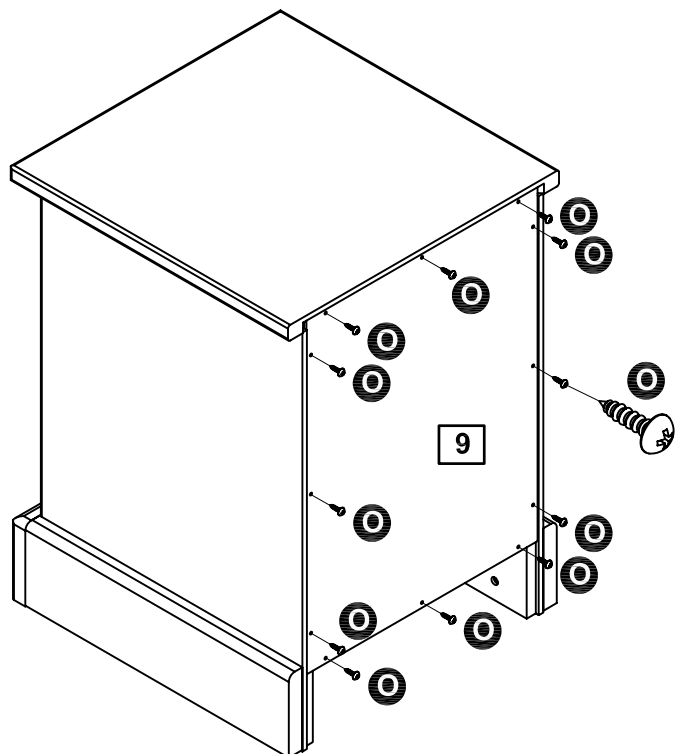
Step 7

Attach Top panel **1** to the unit, fix by Screw **F** and Large locking nuts **B**.



Step 8

Fix Back panel **9** to the unit by using screw **O**.

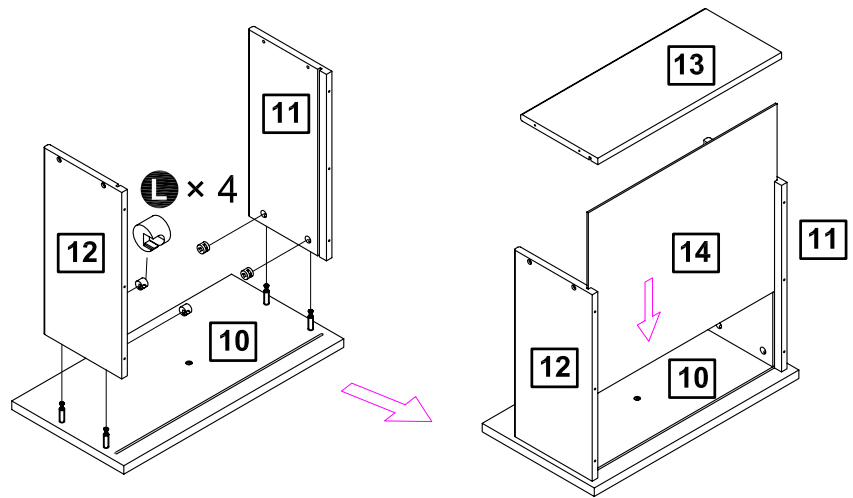


Assembly Instructions

Step 9

Attach Drawer side **11** and **12** to the Drawer front **10**. Fix them by Locking nuts **L** and screwdriver.

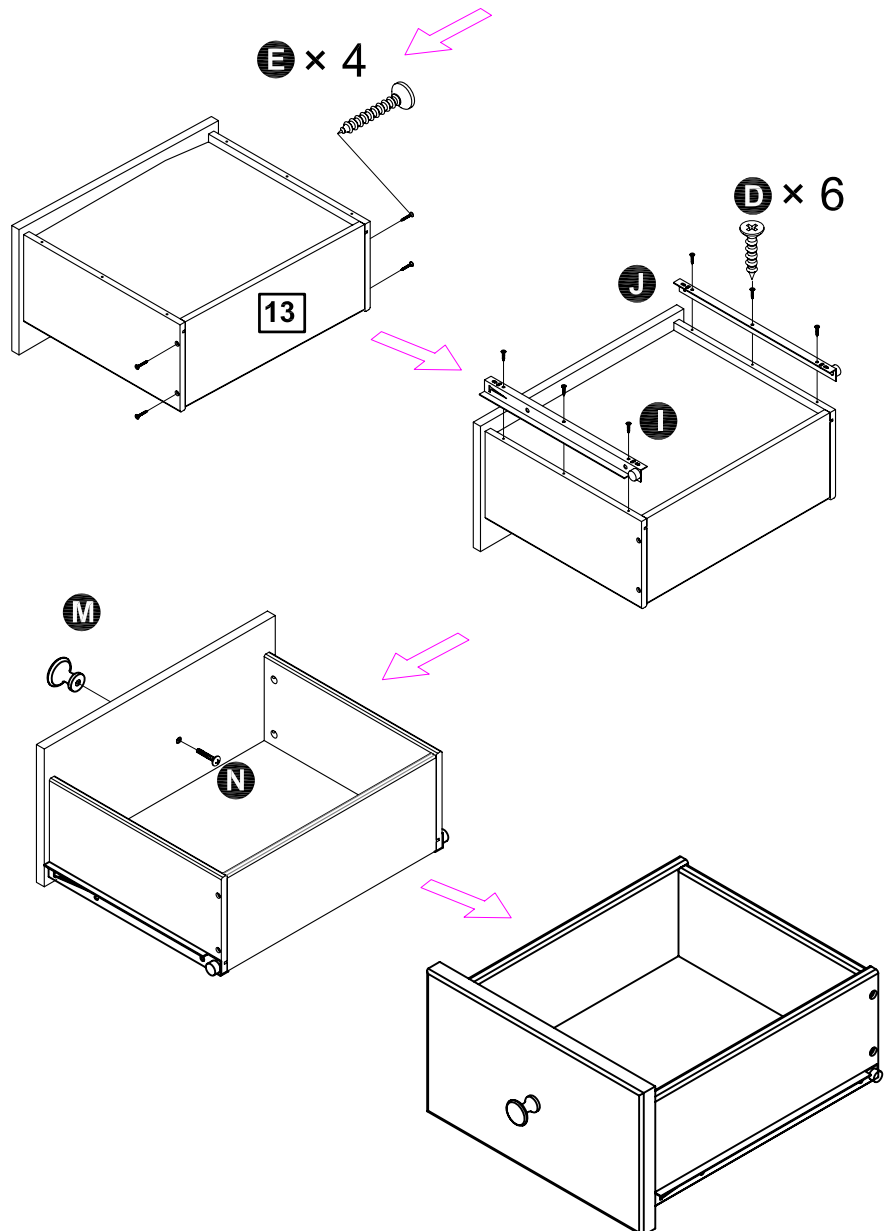
Slip the Drawer bottom **13** into the groove in the Drawer side **11** and **12**, cover the Drawer back **13**, fix it by Screw **E**.



Step 10

Fix the Runner **I** and **J** to the Drawer side **11** **12** using Screw **D**.

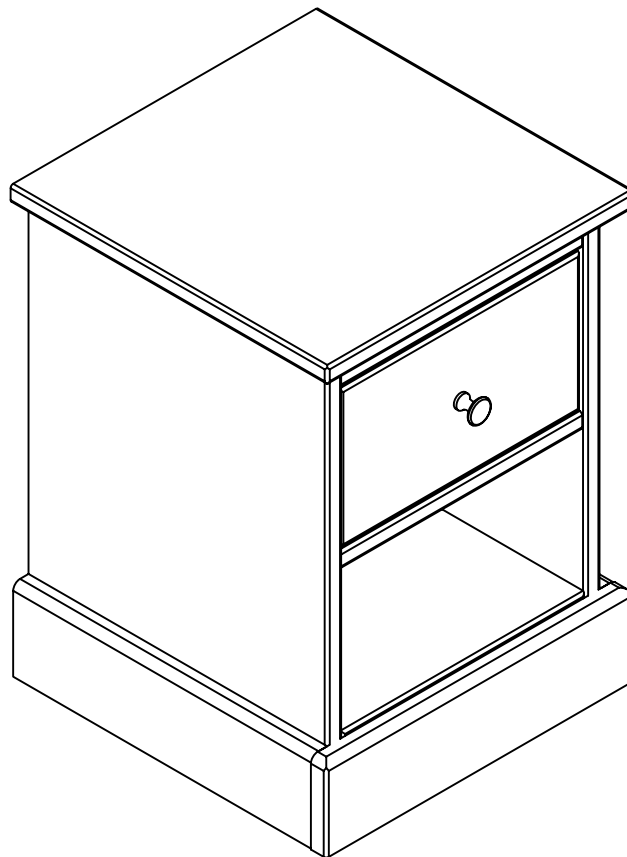
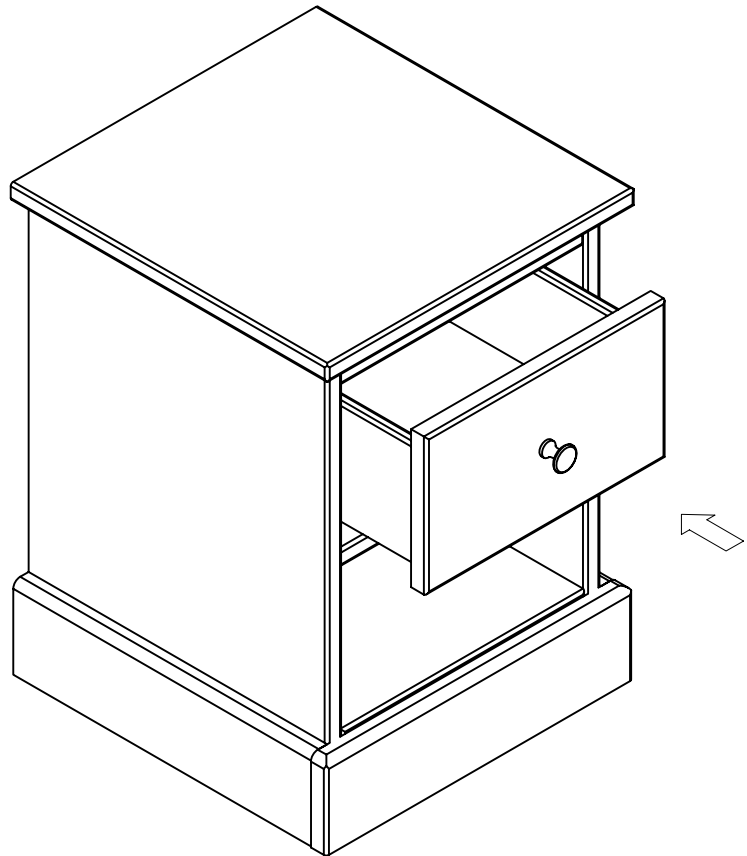
Fix the Handle **M** to the drawer front **10** using Screw **N**.



Assembly Instructions

Step 11

Slip the drawer to the chest.



**Assembly
is complete.**

If you need help or have damaged or missing parts, call the **Customer Helpline:**
03456 400800 Retailer: Argos
Address: 489-499 Avebury Boulevard Saxon Gate West, Central Milton Keynes
Bucks, MK9,2NW