

Tolga - Storage Box

Assembly Instructions - Please keep for future reference

346/0111

339/2117

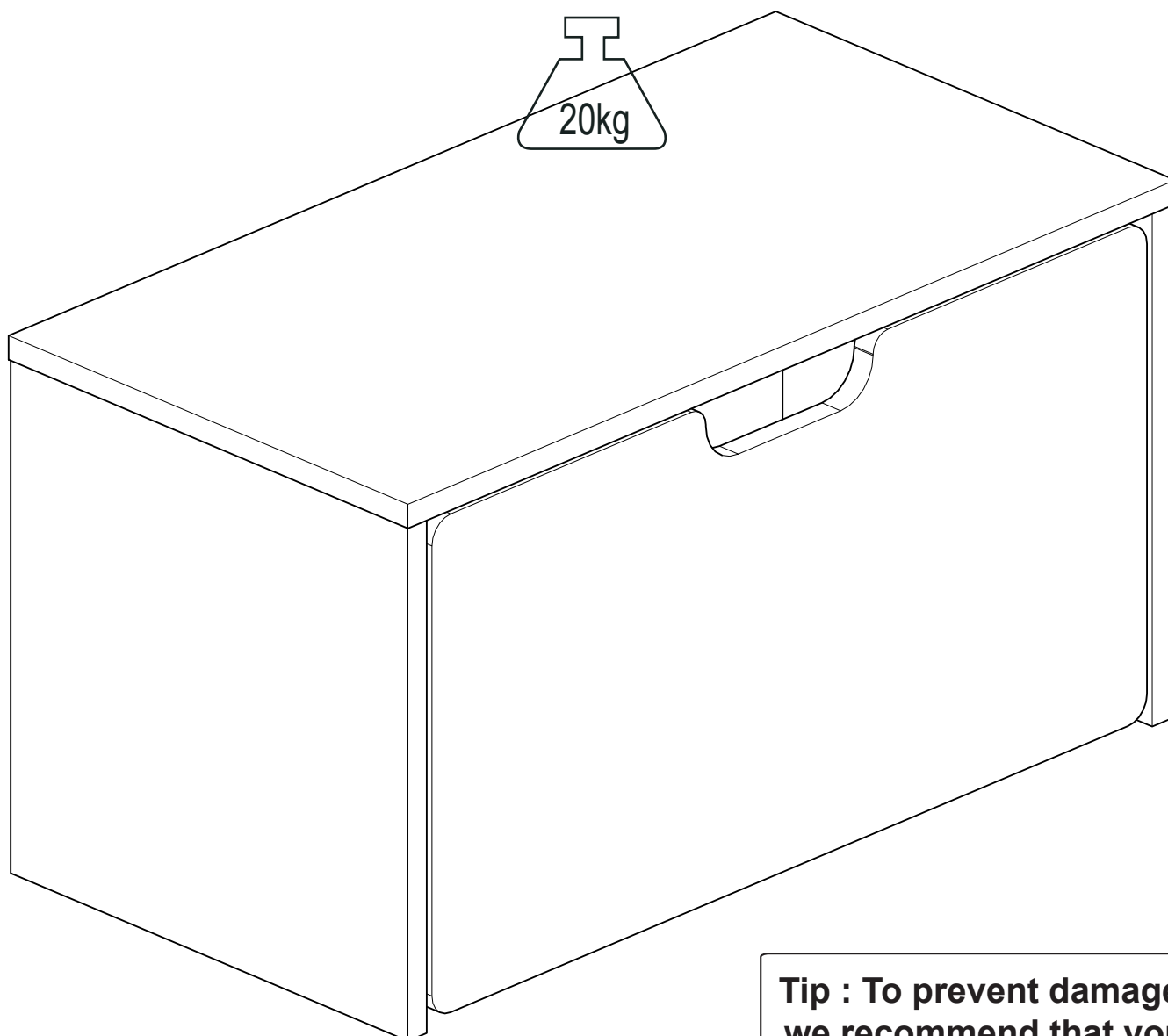
345/8013

Dimensions

Width - 73,4cm

Depth - 38,2cm

Height - 40,2cm



346/0111 PINK
339/2117 BLUE
345/8013 OAK

**Tip : To prevent damage,
we recommend that you
build your unit on the
carton(s) it was packed in.**

Important – Please read these instructions fully before starting assembly

If you need help or have damaged or missing parts, please visit: www.argos-support.co.uk
or email: Help@ClickSpares.co.uk (quoting your original order number)

Alternatively, call the Spares Helpline on: **0370 112 1928**


For any other queries please contact the Customer Helpline on: **0345 640 2020**





Safety and Care Advice

Important – Please read these instructions fully before starting assembly

- Check you have all the components and tools listed on the following pages.
 - Remove all fittings from the plastic bags and separate them into their groups.
 - Keep children and animals away from the work area, small parts could choke if swallowed.
 - Make sure you have enough space to layout the parts before starting.
 - During assembly do not stand or put weight on the product, this could cause damage.
 - Assemble the item as close to its final position (in the same room) as possible.
 - Assemble on a soft level surface to avoid damaging the unit or your floor.
 - Parts of the assembly will be easier with 2 people.
- 
- To reduce the likelihood of damaging your product please ensure that your power drill is set on a low torque setting.
 - Assembly should be carried out by a competent adult only.
 - do not use this item if any components are missing or damaged.
 - this item is suitable for children from the age of 6.

Glue safety - Take care when using glue, please follow the advice below•

Skin contact: Remove contamination by washing with soap and water. This procedure should also be followed prior to eating and drinking.

Eye contact: Rinse immediately with clean water for 15 minutes and seek medical advice.

If swallowed: Seek medical advice immediately.

Care and maintenance

• Only clean using a damp cloth and mild detergent, do not use bleach or abrasive cleaners.

• From time to time check that there are no loose screws on this unit.

• This product should not be discarded with household waste. Take to your local authority waste disposal centre.

Handy Hints

• Assemble all parts and bolts loosely during assembly, only once the product is complete should you fully tighten the bolts

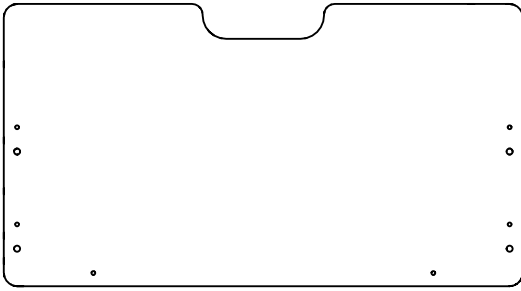
• Regularly check and ensure that all bolts and fittings are tightened properly.

Note: if required the next page can be cut out and used as reference throughout the assembly. Keep this page with these instructions for future reference.

Components - Panels

For damaged or missing parts, please visit:
www.argos-support.co.uk or email: Help@ClickSpares.co.uk

Please check you have all the panels listed below



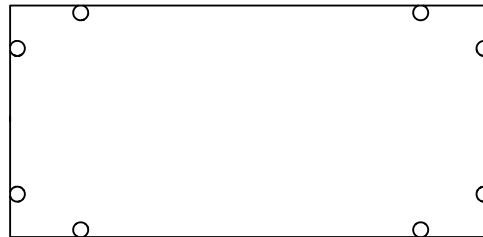
1 Drawer Front 1
(688 x 370 x 18mm)
P4141



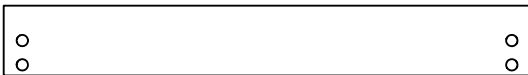
2 Top x 1
(734 x 382 x 18mm)
P5028



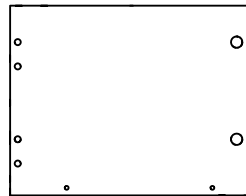
3 Drawer Back x 1
(634 x 250 x 15mm)
P6101



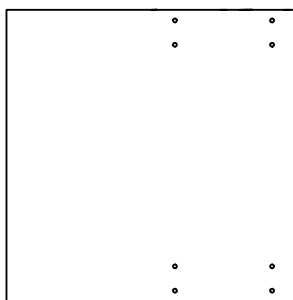
4 Drawer Base x 1
(634 x 305 x 15mm)
P6100



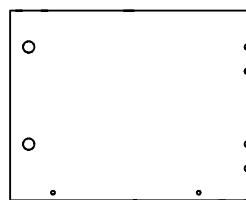
5 Plinth x 2
(694 x 92 x 15mm)
P7060



7 Right Drawer Side x 1
(323 x 250 x 15mm)
P6102



6 Side x 2
(384 x 380 x 18mm)
P2045



8 Left Drawer Side x 1
(323 x 250 x 15mm)
P6103

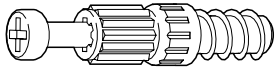


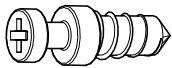
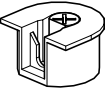
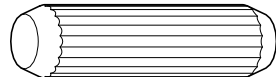
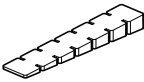
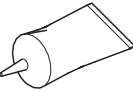



Components - Fittings

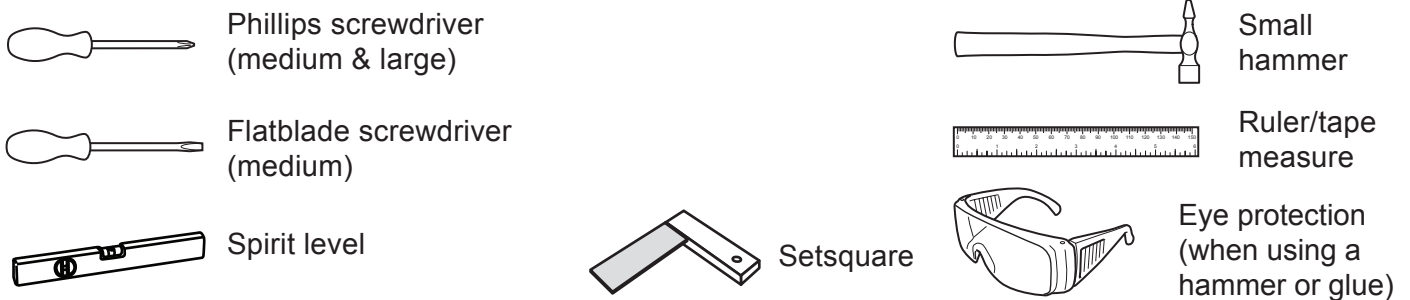
For damaged or missing parts, please visit: www.argos-support.co.uk or email: Help@ClickSpares.co.uk

Please check you have all the fittings listed below

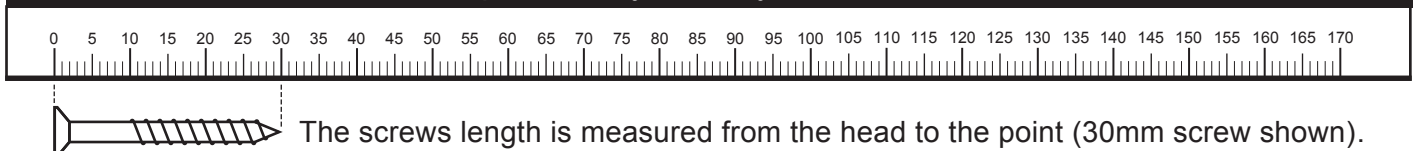
Note: The quantities below are the correct amount to complete the assembly. In some cases more fittings may be supplied than are required.

A  FK1011 Locking screw x 12 (5x24mm)	B  FK1012 Large locking nut x 12 (15x12mm)	C  FK1311 Chipboardscrew x 10 (3x15mm)
D  FK10561 Expando dowel x 8 (5x11mm)	E  FK1051 Expando housing x 8 (20x12mm)	F  FK1411 Wood dowel x 18 (8x30mm)
G  FK1234 Peg, brown x 1	H  FK1510 Glue x 2	I  FK1244 Wheel x 5

Tools required



Ruler - Use this ruler to help correctly identify the screws



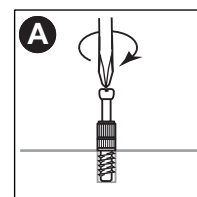
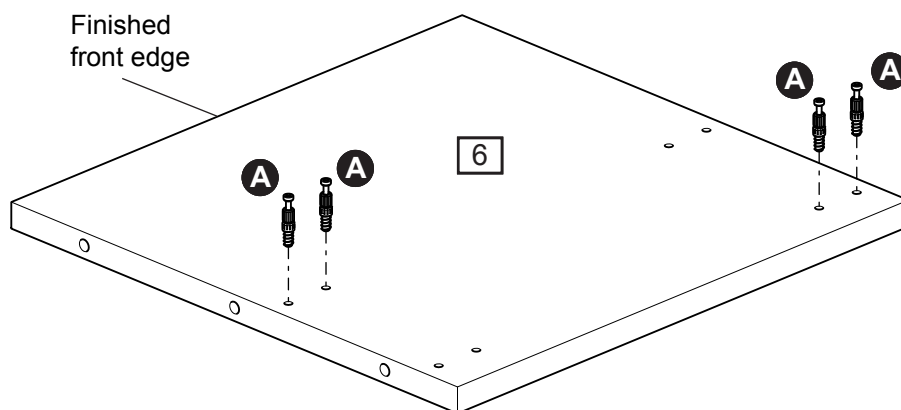
Assembly Instructions

Step - 1

Screw 24mm locking screw **A** into side **6**.

Note: look careful for the right position.

Note: Insert 24mm locking screw **A** as far as shown.
Do not over tighten.

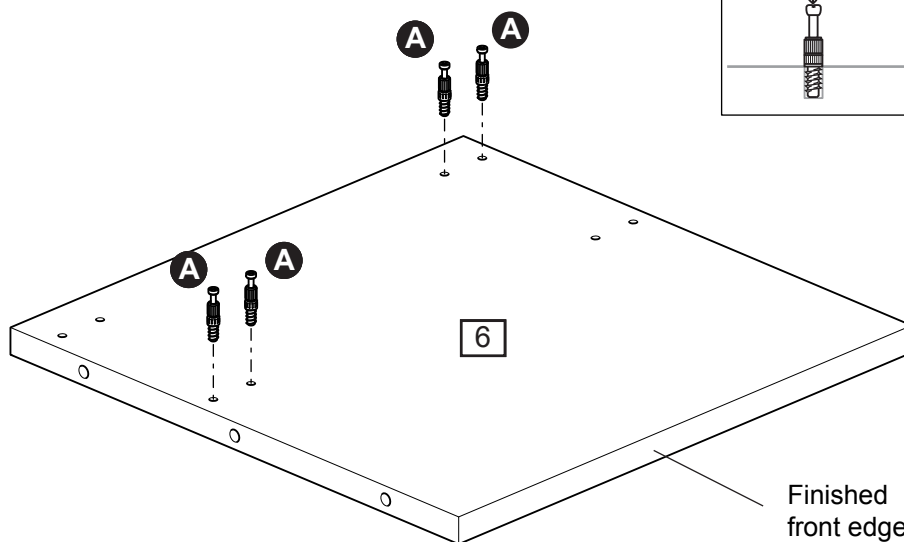


Step - 2

Screw 24mm locking screw **A** into side **6**.

Note: look careful for the right position.

Note: Insert 24mm locking screw **A** as far as shown.
Do not over tighten.



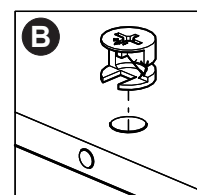
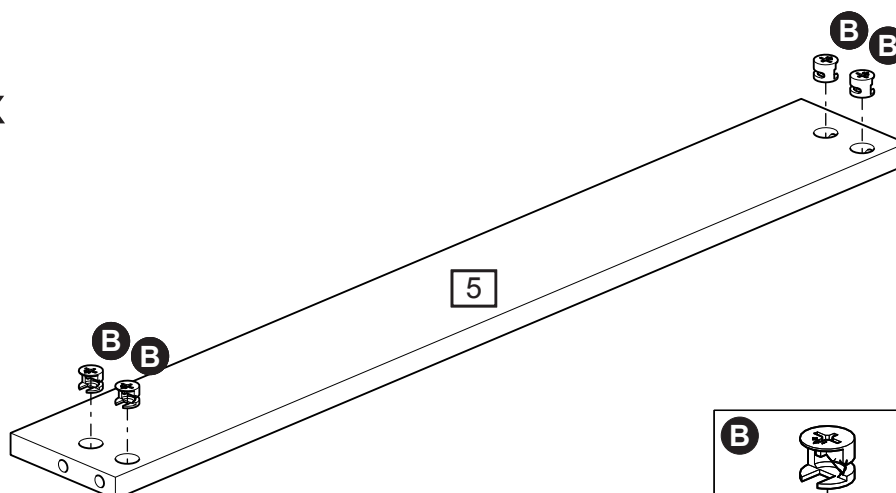
Step - 3

Insert large locking nuts **B** into Plinth **5**.

Make sure the 'arrow' on locking nuts **B** points towards the hole in the edge of **5**.

Repeat this step on second plinth **5**.

2x



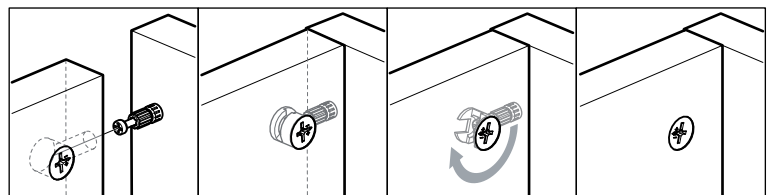
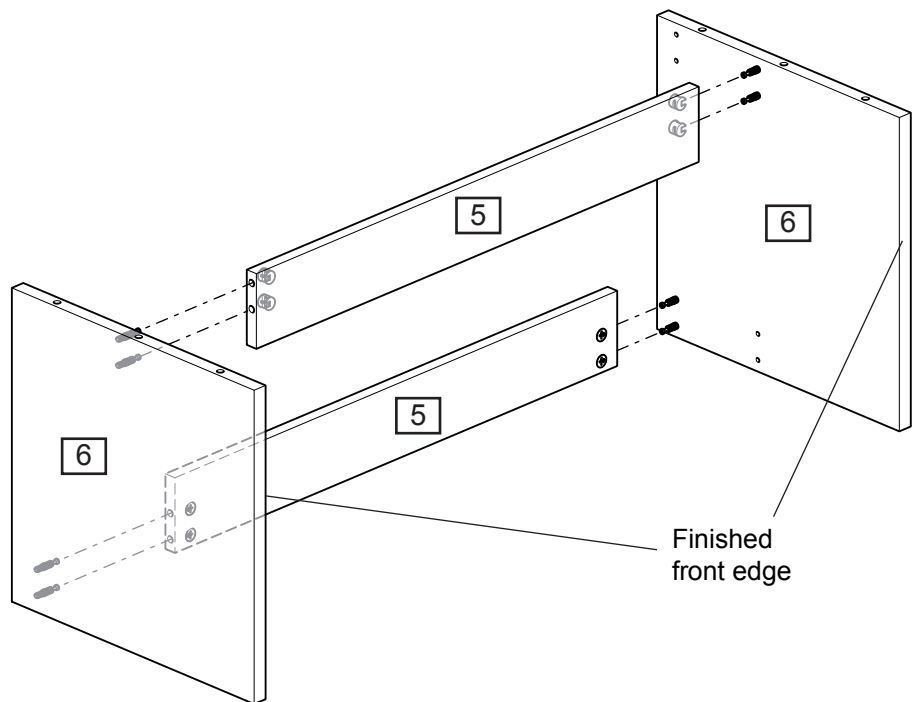
Assembly Instructions

Step - 4

Attaching panels

Position both side **6** onto plinth **5** on both sides.

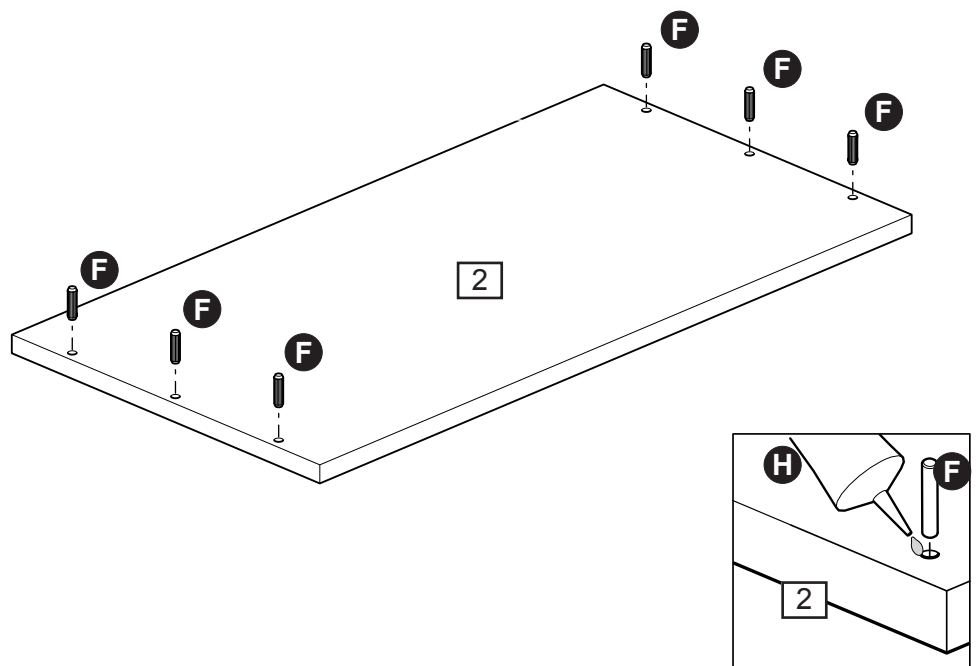
Use a screwdriver to turn locking nuts clockwise to lock.



Step - 5

Put drop of glue **H** into the 6 holes of top **2**.

Put dowels **F** into the holes of top **2**.



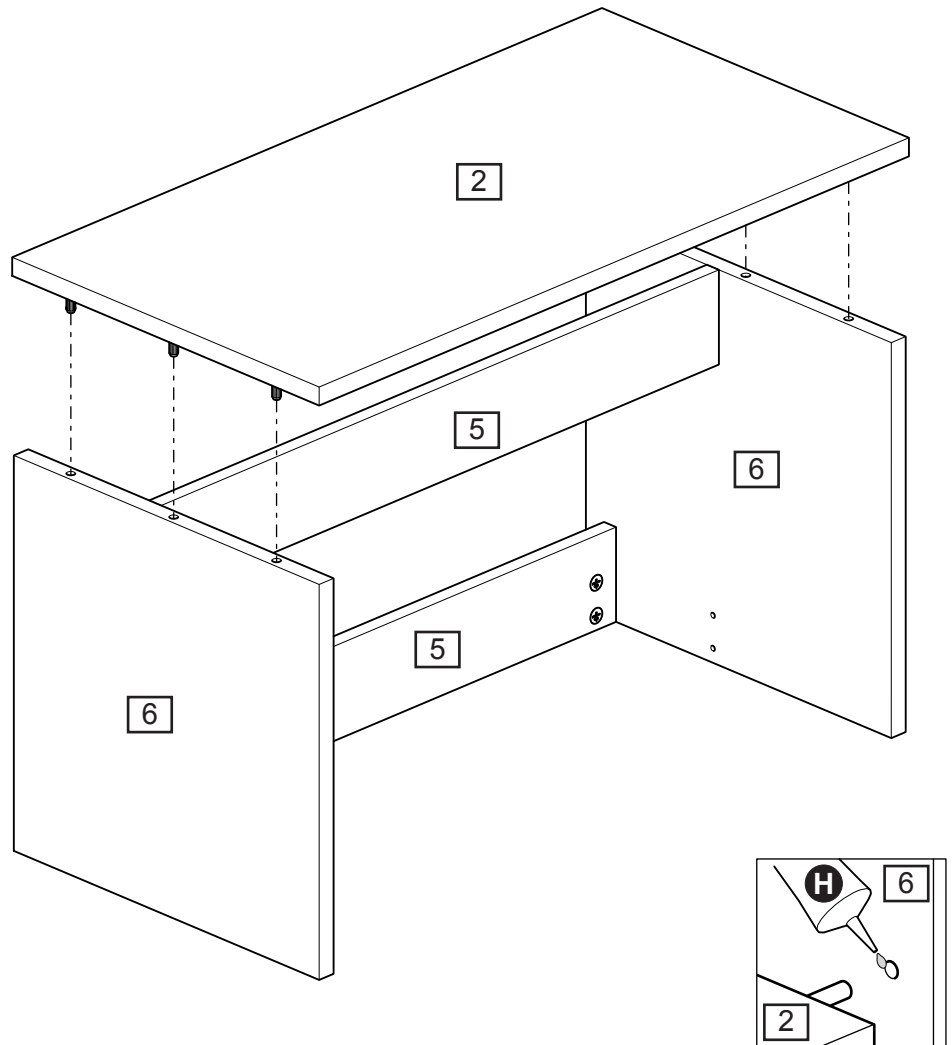
Assembly Instructions

Step - 6

Attaching top

Put drop of glue **H** into the 6 holes of side **6**.

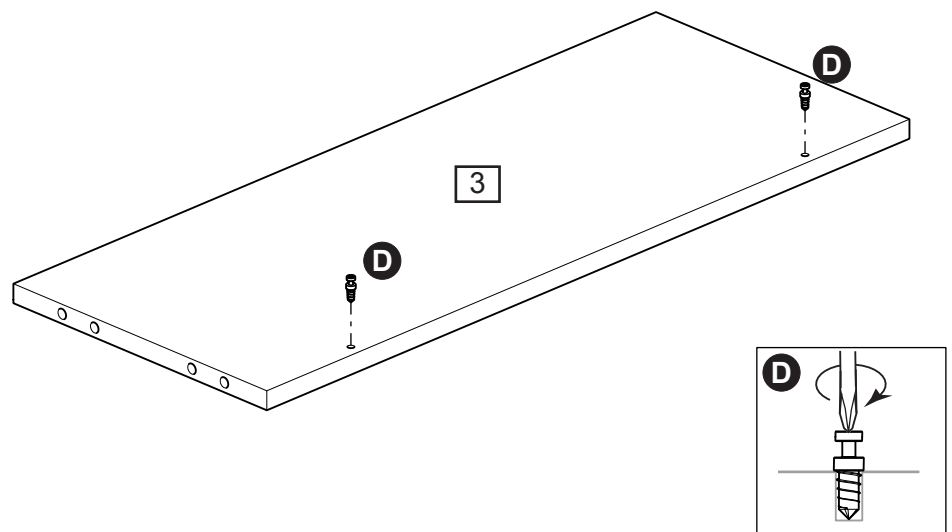
Position the 6 dowels **H** of top **2** onto the 6 holes of side **6**.



Step - 7

Screw expando dowel **D** into drawer back **3**.

Note: Insert expando dowel **D** as far as shown. **Do not over tighten.**



Assembly Instructions

Step - 8

Screw expando dowel **D** into left drawer side **8**.

Note: Insert expando dowel **D** as far as shown.

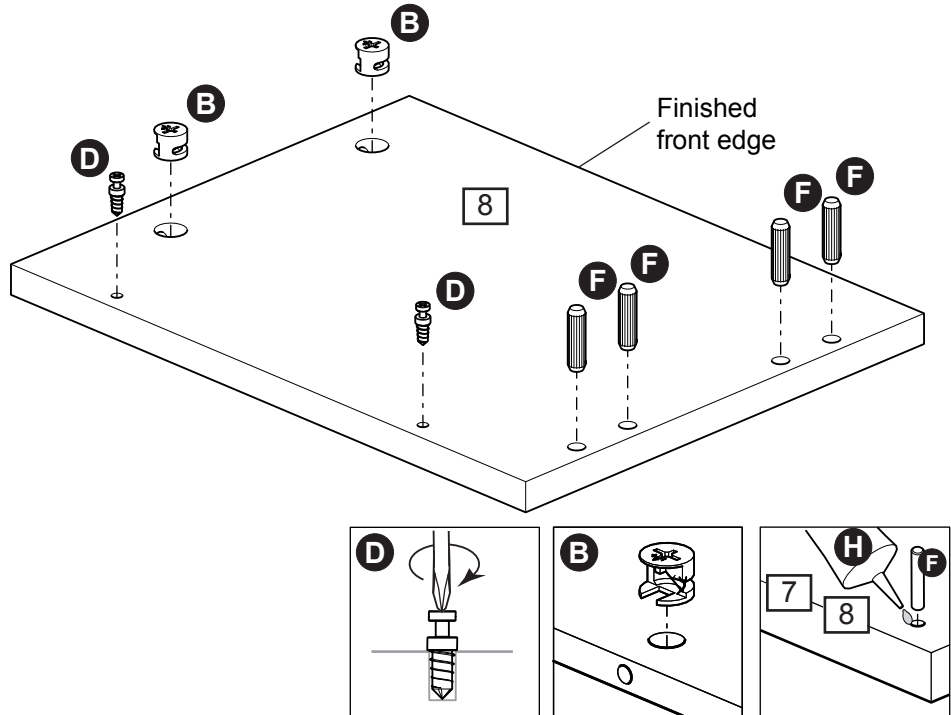
Do not over tighten.

Insert large locking nuts **B** into left drawer side **8**.

Make sure the 'arrow' on locking nuts **B** points towards the hole in the edge of **8**.

Put drop of glue **H** into the 2 holes of **8**.

Put dowels **F** into the holes of **8**.



Step - 9

Screw expando dowel **D** into right drawer side **7**.

Note: Insert expando dowel **D** as far as shown.

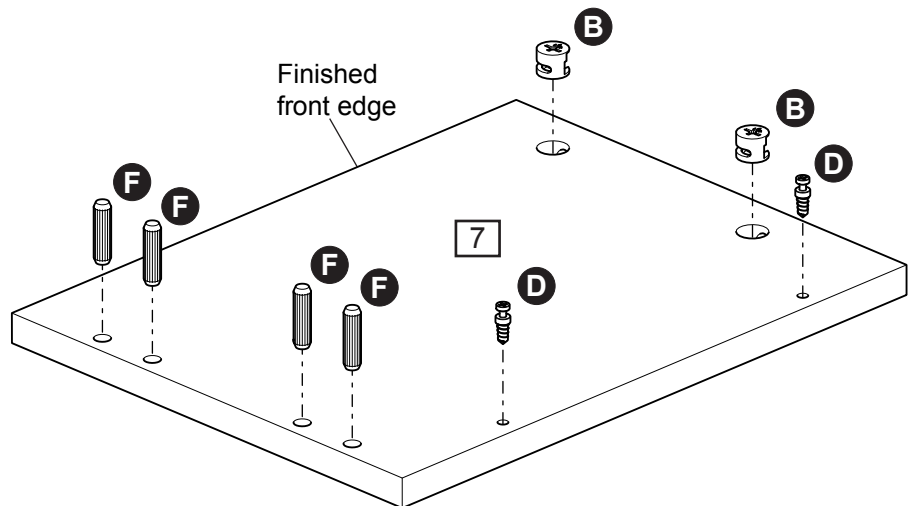
Do not over tighten.

Insert large locking nuts **B** into right drawer side **7**.

Make sure the 'arrow' on locking nuts **B** points towards the hole in the edge of **7**.

Put drop of glue **H** into the 2 holes of **8**.

Put dowels **F** into the holes of **7**.



Step - 10

Screw expando dowel **D** into drawer front **1**.

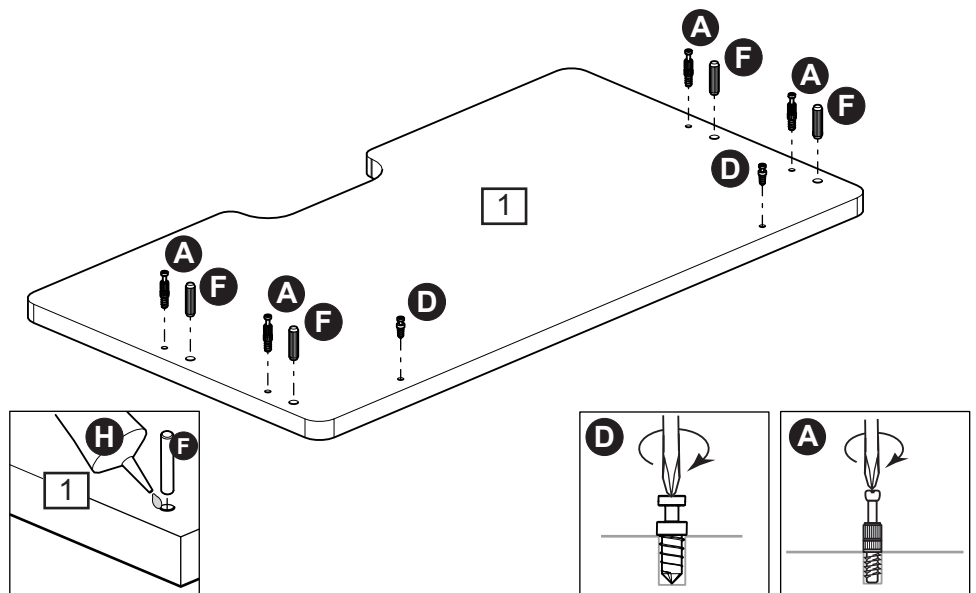
Screw 24mm locking screw **A** into front **1**.

Note: Insert 24mm locking screw **A** and expando dowel **D** as far as shown.

Do not over tighten.

Put drop of glue **H** into the 4 holes of **1**.

Put dowels **F** into the holes of **1**.



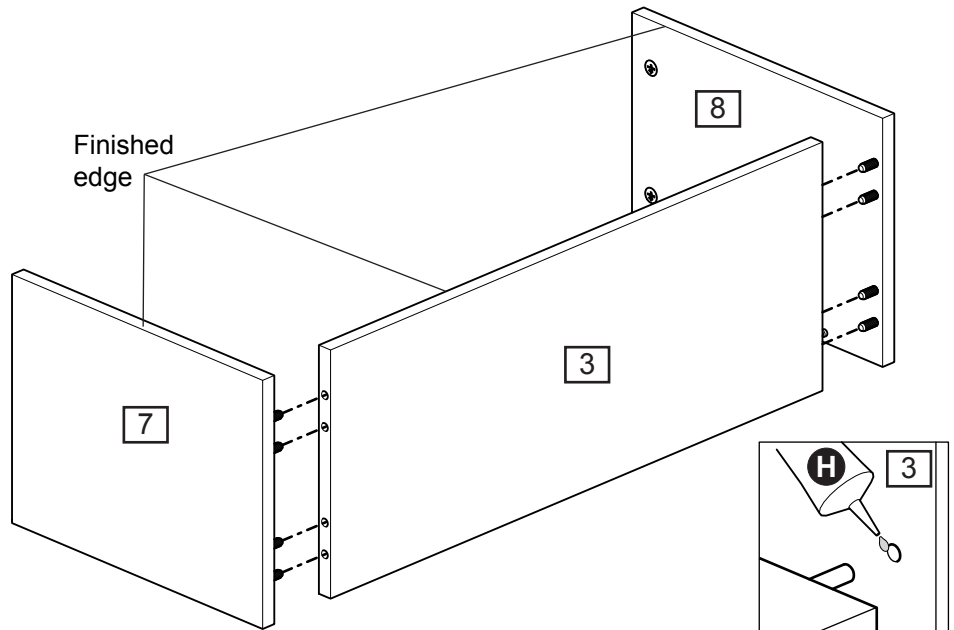
Assembly Instructions

Step - 11

Attaching drawer panels

Put drop of glue **H** into the 8 holes of drawer back **3**.

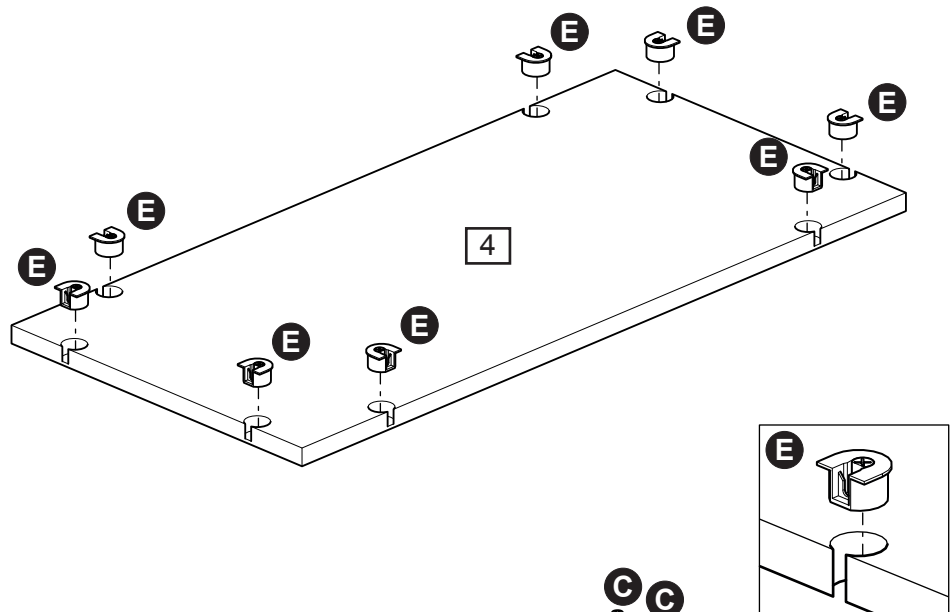
Position the 4 dowels **F** of drawer side **7** and **8** onto the holes of drawer back **3**.



Step - 12

Insert expando housing **E** into drawer base **4**.

Make sure that the expando housing **E** is open.

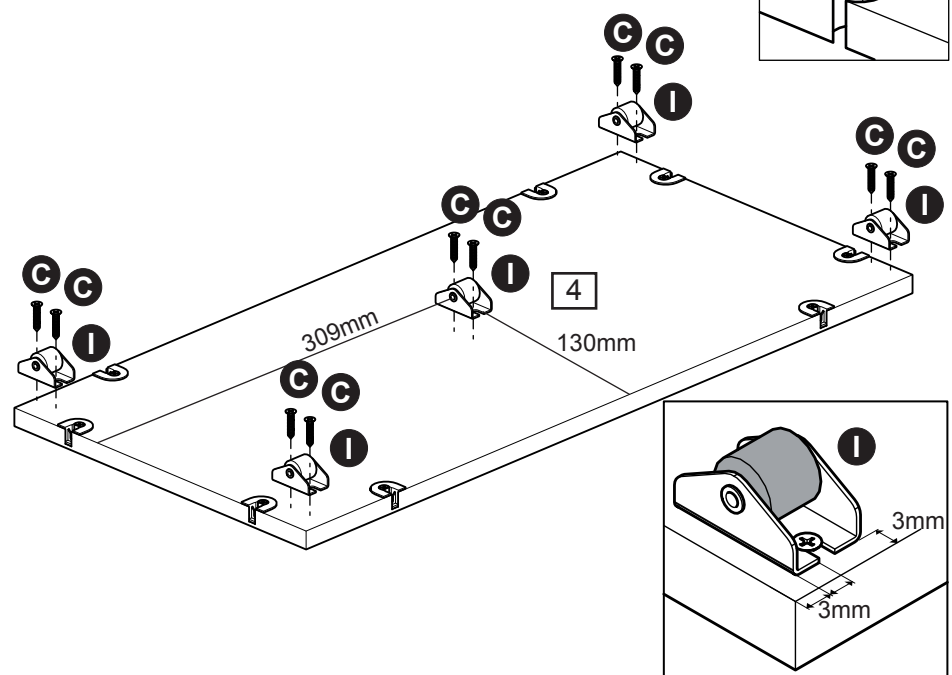


Step - 13

Position the wheel **I** on the drawer base **4**.

Make sure that there is enough free space to the edges of drawer base **4**.

use 2 chipboardscrews **C** to mount each wheel **I** on drawer base **4**.



Assembly Instructions

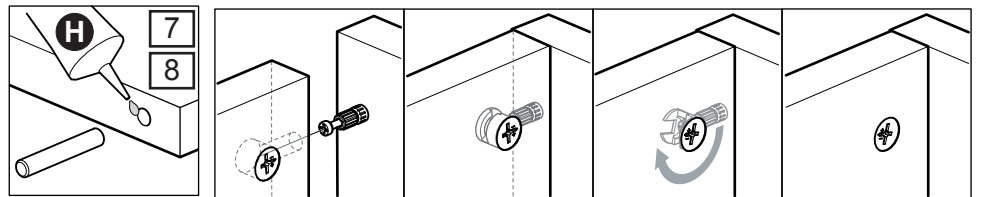
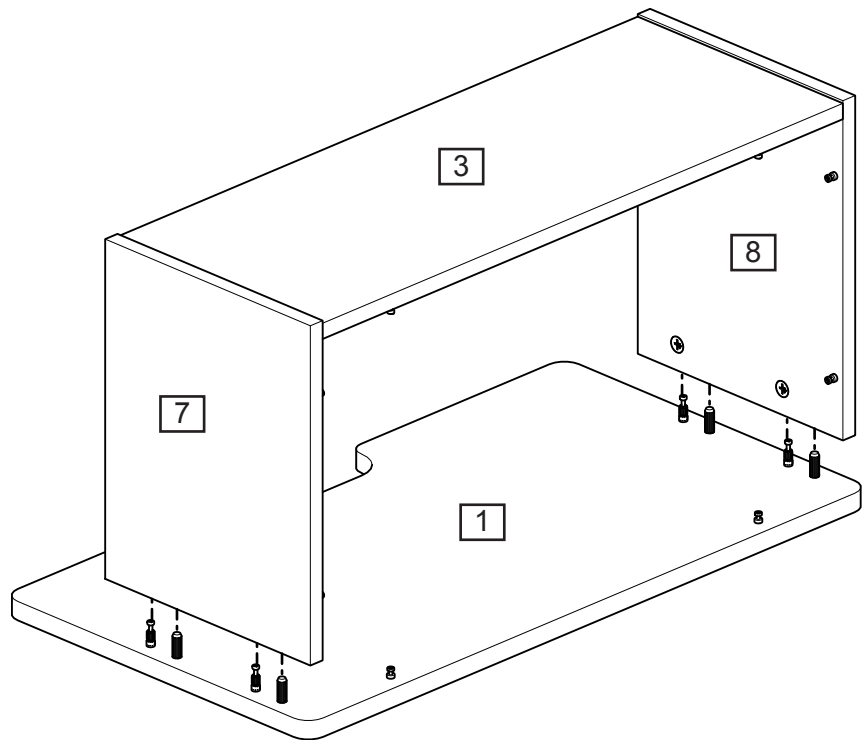
Step - 14

Attaching drawer panels

Put drop of glue **H** into the 4 holes of drawer side **7** and **8**.

Position the 4 dowels **F** of drawer side **7** and **8** onto the holes of drawer back **3**.

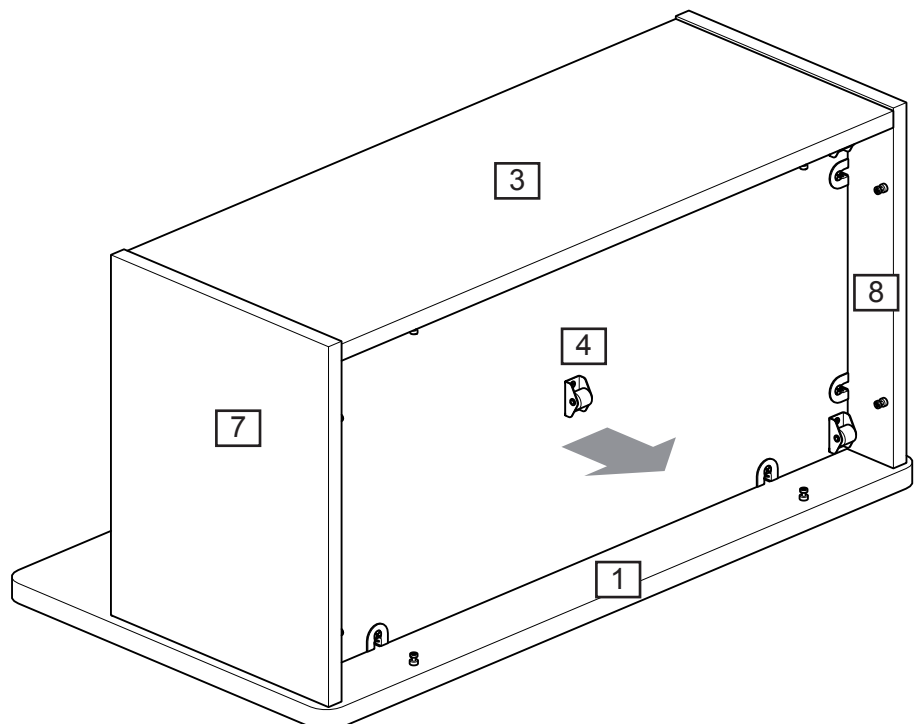
Use a screwdriver to turn locking nuts clockwise to lock.



Step - 15

Attaching drawer base

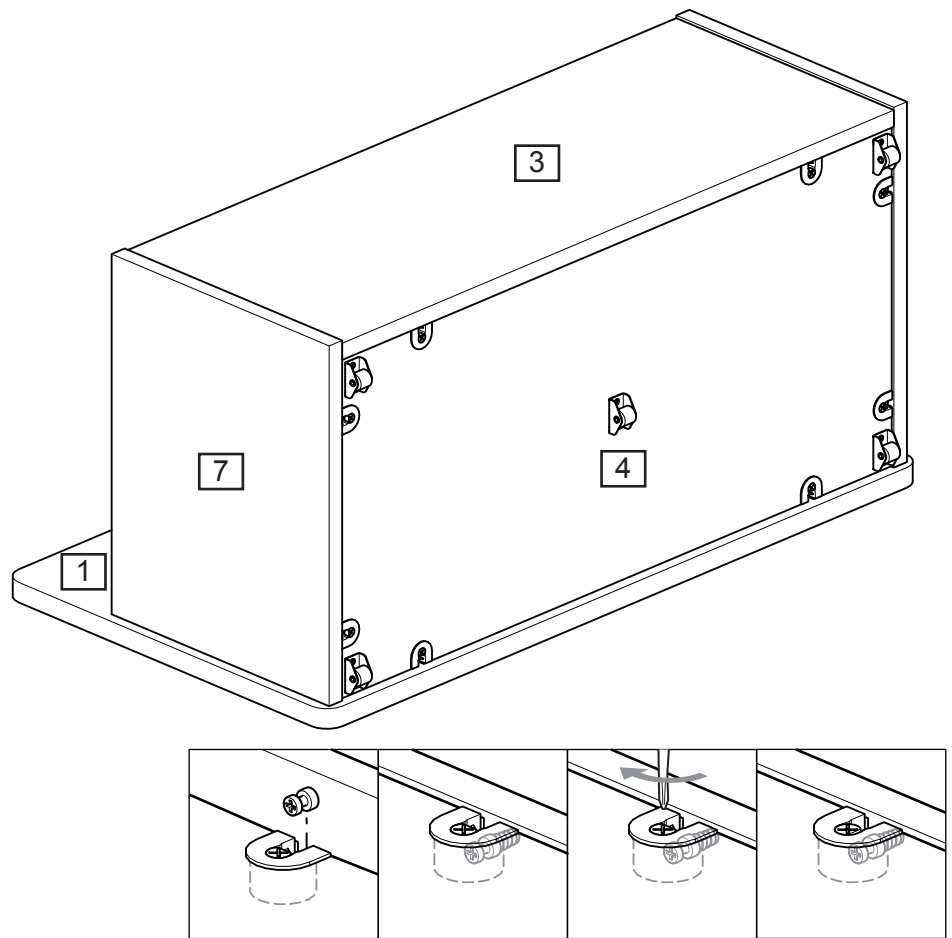
slide drawer base **4** into the drawer from the top until till the 8 expando dowels **D** are totally in the expando housing **E** of drawer base **4**.



Assembly Instructions

Step - 16

Use a screwdriver to turn expando housig clockwise to lock.



Step - 17

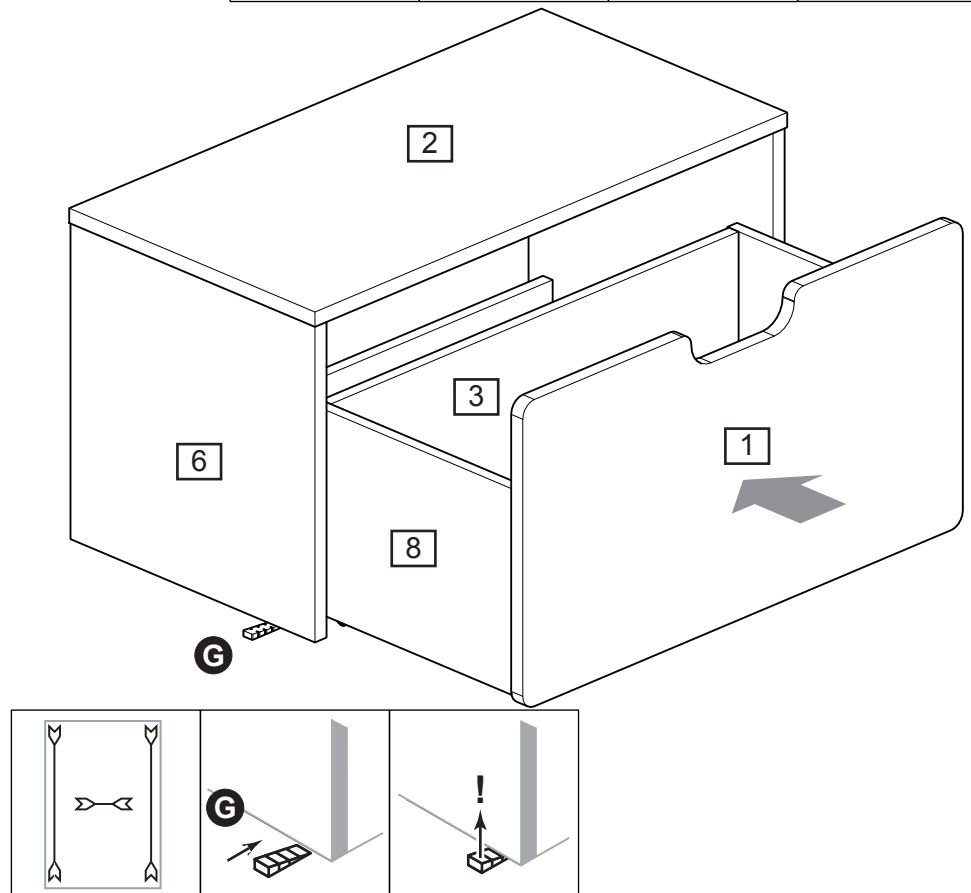
Inserting Drawer

Slide the drawer into the base.

Before adjusting the storage box, use a spirit level to check if the box is level front-to-back and side-to-side in the three positions shown.

Use pegs **G** to square the box. Knock peg **G** in, as far as you require, under the ends of the box and then snap off flush with the panel.

Assembly is complete.



If you need help or have damaged or missing parts, call the **Customer Helpline:**
Argos = 03456 400 800

Assembly Instructions