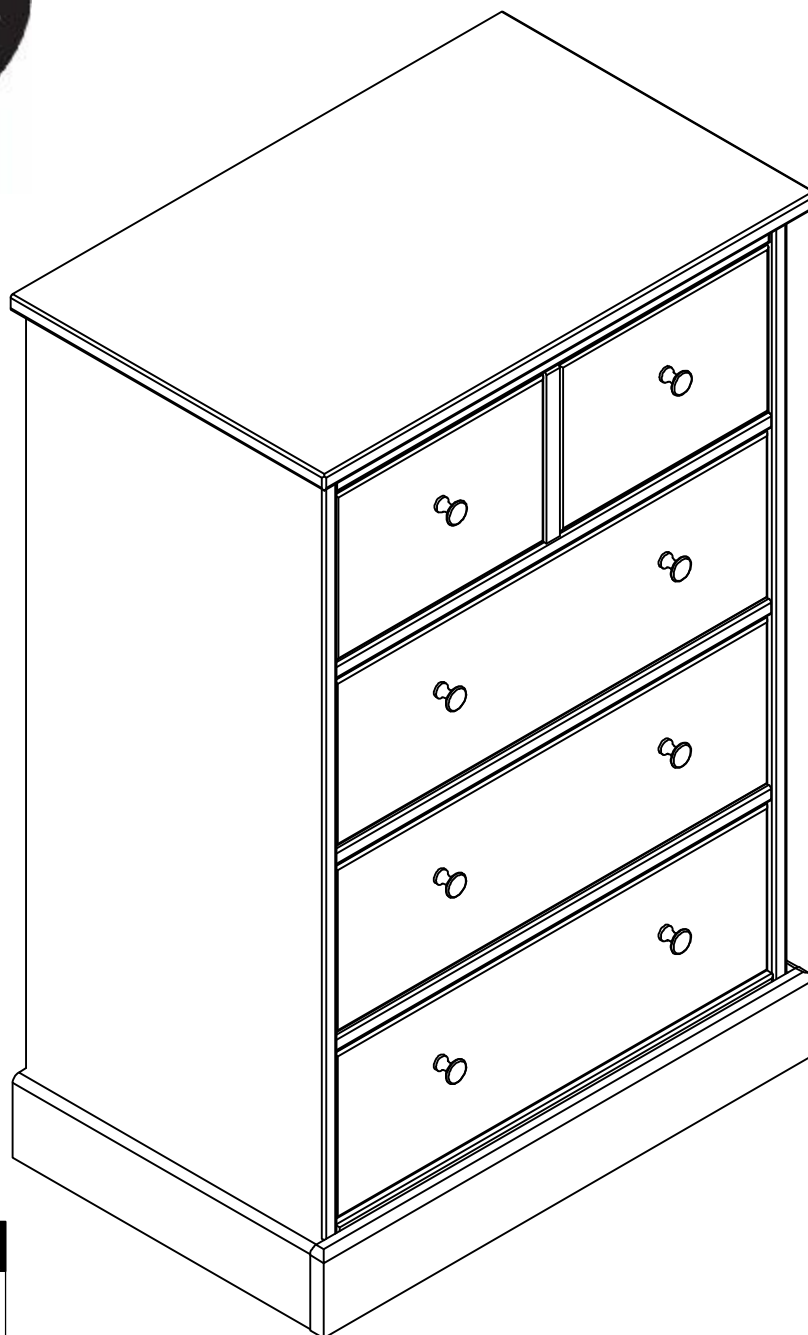


JOSEPH CHEST OF DRAWERS

Assembly Instructions - Please keep for future reference

345/6077



Dimensions

Width - 66cm
Depth - 42cm
Height - 100cm

Important - Please read these instructions fully before starting assembly

If you need help or have damaged or missing parts, call the
Customer Helpline: Argos = 0345 6400 800



Safety and Care Advice

Important - Please read these instructions fully before starting assembly

- Check you have all the components and tools listed on pages 2 and 3.
- Remove all fittings from the plastic bags and separate them into their groups.
- During assembly keep children and animals away from the work area due to possible risk of injury and small parts could choke if swallowed.

- Do not stand or put weight on the product, this could cause damage.
- Assemble the item as close to its final position (in the same room) as possible.
- Assemble on a soft level surface to avoid damaging the unit or your floor.
- Parts of the assembly will be easier with 2 people.



- To reduce the likelihood of damaging your product please ensure that your power drill is set on a low torque setting.

Care and maintenance

- Only clean using a damp cloth and mild detergent, do not use bleach or abrasive cleaners.
- From time to time check that there are no loose screws on this unit.
- This product should not be discarded with household waste. Take to your local authority waste disposal centre.

Handy Hints

- Assemble all parts and bolts loosely during assembly, only once the product is complete should you fully tighten the bolts
- Regularly check and ensure that all bolts and fittings are tightend properly.

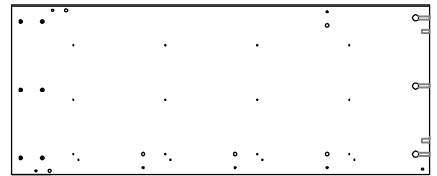
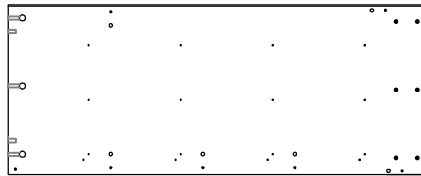
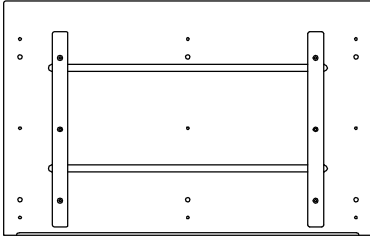
Warnings

- Do not use this item if any components are missing or damaged.
- Assembly to be carried out by a competent adult only.
- Make sure you have enough space to layout the parts before starting.
- Retailer: Argos Ltd. MK9 2NW

Components - Panels

If you have damaged or missing componets, call the
Customer Helpline: Argos = 0345 6400 800

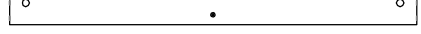
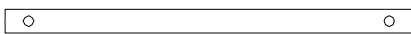
Please check you have all the panels listed below



1 Top × 1 (66 × 42cm)

2 Left Side × 1 (98.2 × 39.9cm)

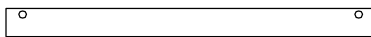
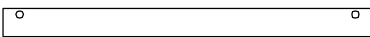
3 Right Side × 1 (98.2 × 39.9cm)



4 Front Rail, top × 1 (58.4 × 3.4cm)

5 Front rail 1 × 1 (58.4 × 5.7cm)

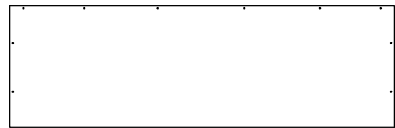
6 Back rail, top × 1 (58.4 × 5.7cm)



7 Front rail 2 × 2 (58.4 × 5.7cm)

8 Back rail, bottom × 1 (58.4 × 5.7cm)

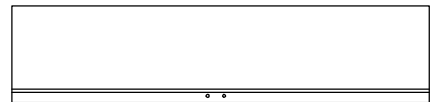
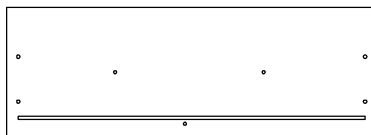
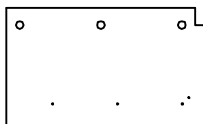
9 Front rail, bottom × 1 (58.4 × 5.7cm)



10 Front Plinth × 1 (65.8 × 9.5cm)

11 Side Plinth × 2 (39.9 × 9.5cm)

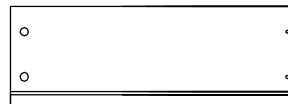
12 Back panel × 2 (90.9 × 30.25cm)



13 Divider × 1 (23.2 × 39cm)

14 Drawer front × 3 (58 × 19.2cm)

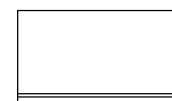
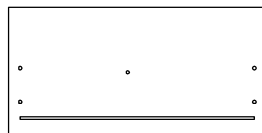
15 Drawer back × 3 (53.5 × 13.7cm)



16 Support rail × 3 (33.8 × 5.7cm)

17 Drawer side, left × 5 (35 × 14cm)

18 Drawer side, right × 5 (35 × 14cm)



19 Drawer base × 3 (54.6 × 34.9cm)

20 Drawer front × 2 (27.9 × 19.2cm)

21 Drawer back × 2 (23.4 × 13.7cm)



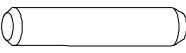
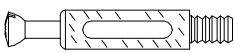

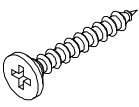
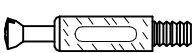
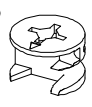
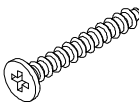

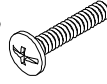
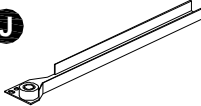
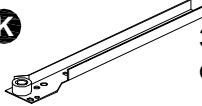
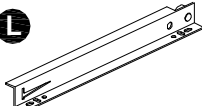
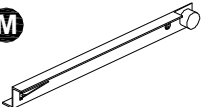
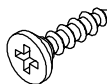
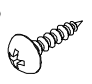
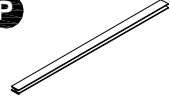
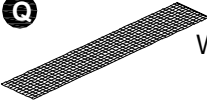

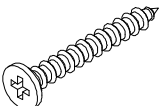
22 Drawer base × 2 (24.5 × 34.9cm)



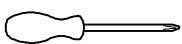
Components - Fittings

Please check you have all the fittings listed below

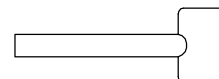
Note: The quantities below are the correct amount to complete the assembly. In some cases more fittings may be supplied than are required.

A  Wooden dowel × 18	B  Large locking pin × 23	C  Large locking nut × 23
D  Ø3.5×25mm Screw × 26	E  Small locking pin × 23	F  Small locking nut × 23
G  Ø3.5×30mm Screw × 16	H  Handle × 8	I  Ø5×32mm Screw × 8
J  350mm Runner, outside left × 5	K  350mm Runner, outside right × 5	L  350mm Runner, inside left × 5
M  350mm Runner, inside right × 5	N  Ø3.5×12mm Screw × 70	O  Ø3.0×15mm Screw for Back panel × 20
P  Plastic bar (L=897mm) × 1	Q  Wall strap × 1	R  washer × 1
S  Ø3.5×40mm Screw × 4		

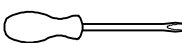
Tools required



Phillips screwdriver
(medium & large)

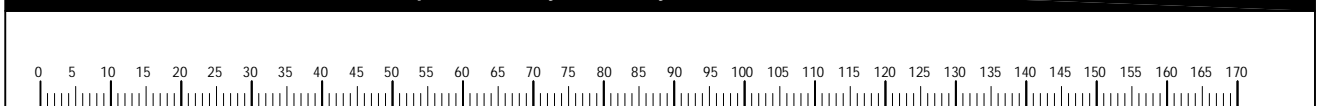


Rubber
mallet



Flatblade screwdriver
(medium)

Ruler - Use this ruler to help correctly identify the screws

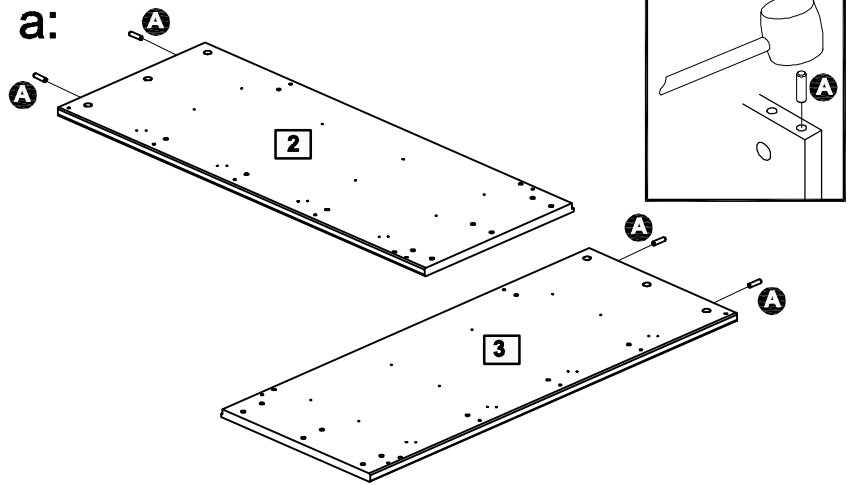


Assembly Instructions

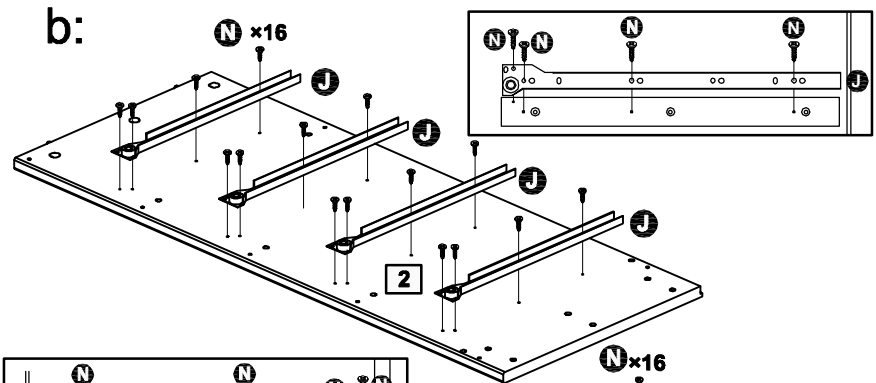
Step 1

Fitting dowels

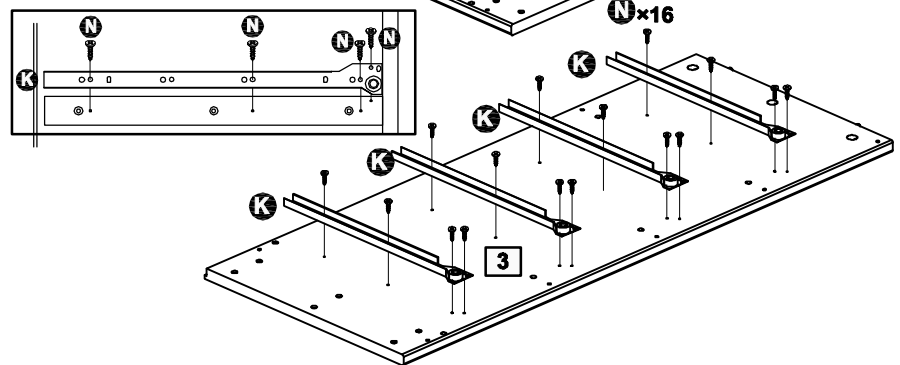
a: Insert Wooden dowels **A** into Left side **2** and Right side **3**



b: Fix Runner outside left **J** onto Left side **2** by using Screws **N**.



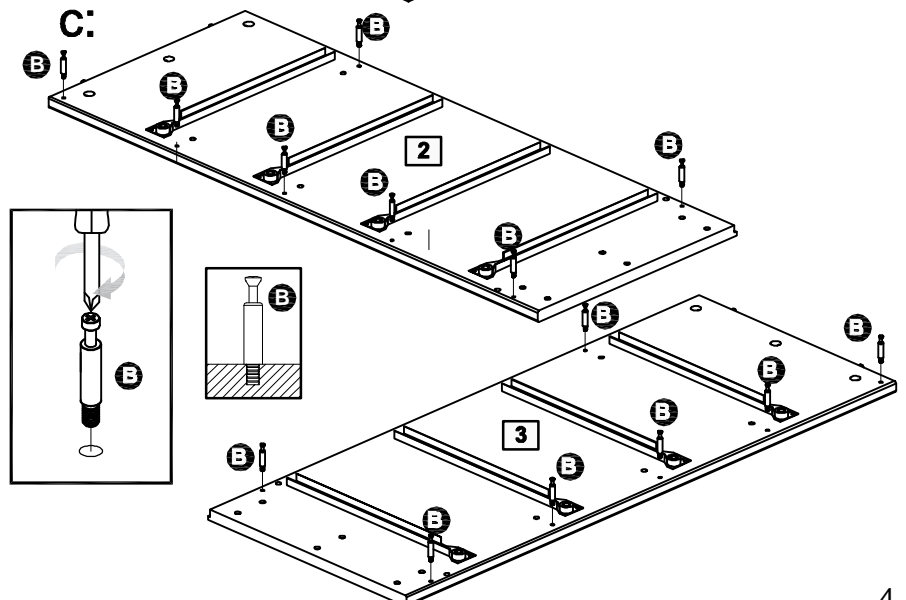
Fix Runner outside right **K** onto Right side **3** by using Screws **N**.



C: Insert Large locking pin **B** into Left side **2** and Right side

Note: Insert locking pin as far as shown.

Do not over tighten.



Assembly Instructions

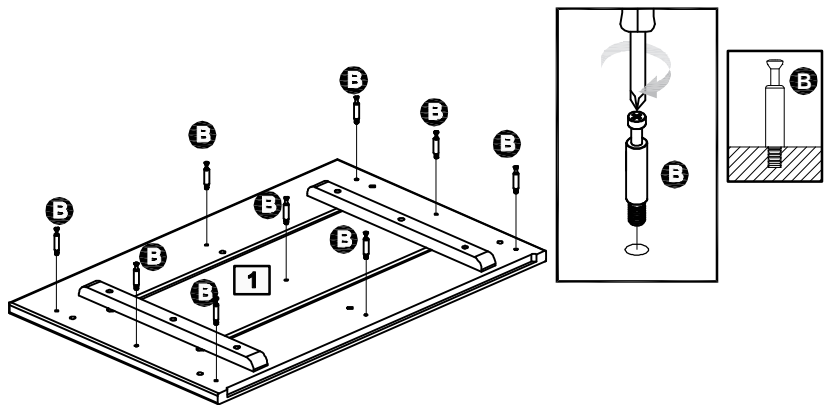
Step 2

Fitting dowels

a: Insert Large locking Pin **B** into Top **1**.

Note: Insert locking pin as far as shown.

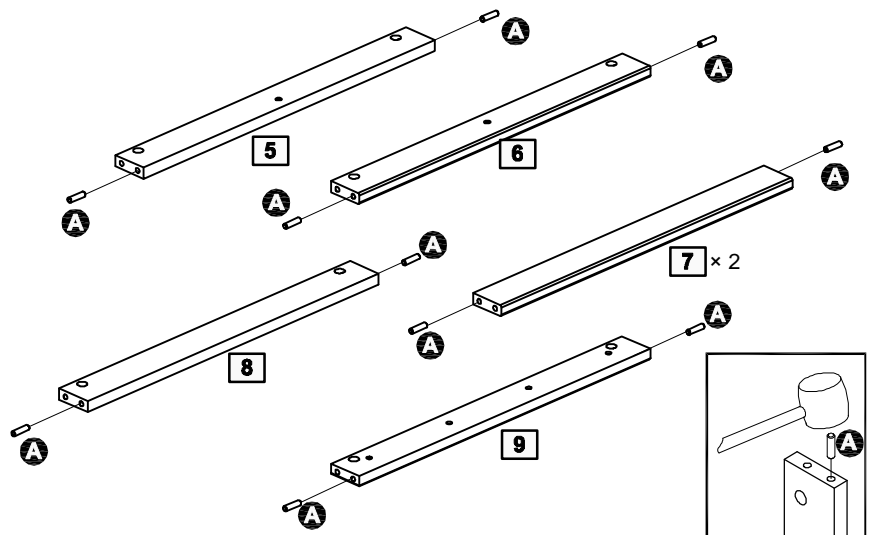
Do not over tighten.



Step 3

Fitting dowels

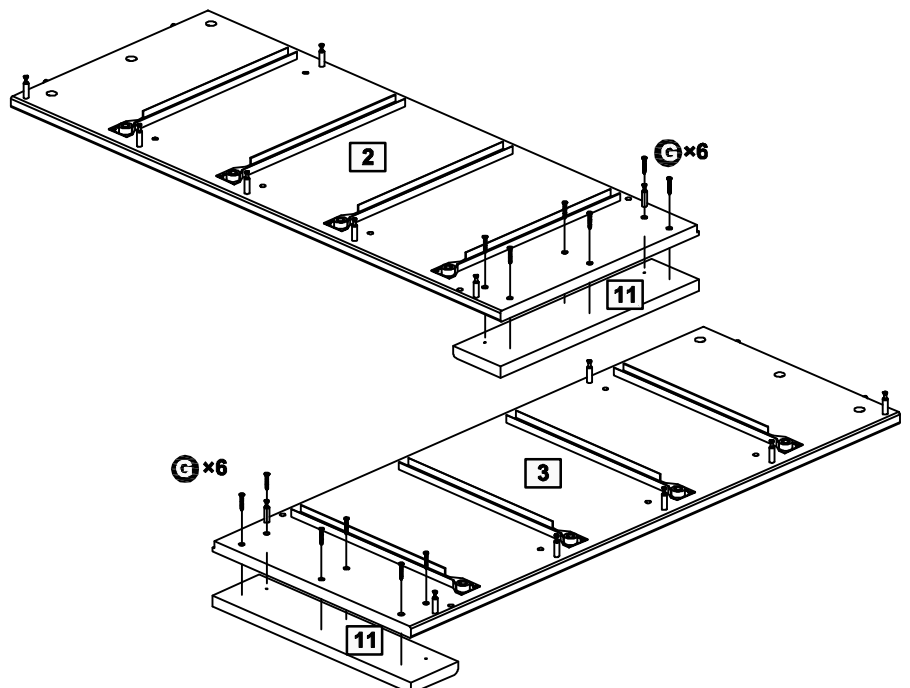
Insert Wooden dowels into Rail **5** **6** and **7** **8** **9**.



Step 4

Fixing Side Plinths

Fix side Plinths **11** onto the Left side **2** and Right side **3** by using screws **G**.



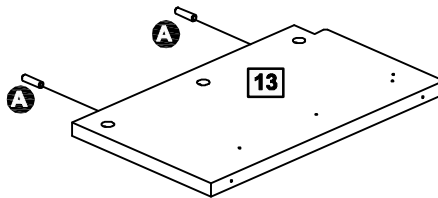
Assembly Instructions

Step 5

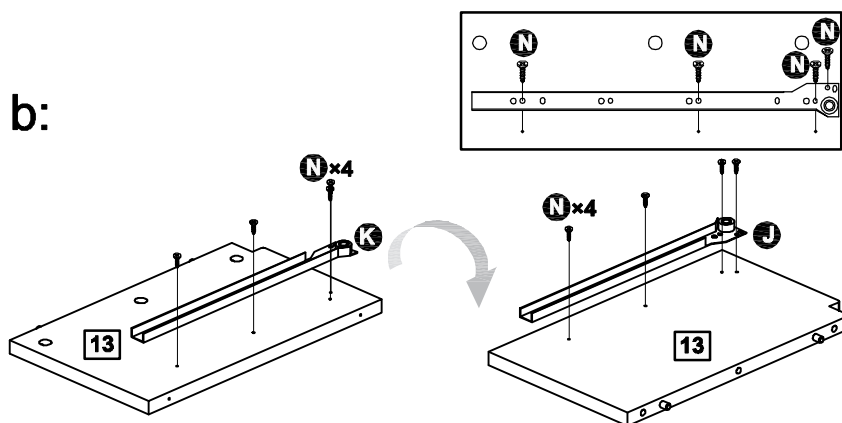
a. Insert Wooden dowel **A** to Divider **13**.

b. Fix Runner outside right **K** to one side of the Divider **13** as show on picture by screw **N**, then, turn over Divider to another side and fix Runner outside left **J** by screw **N**.

a:



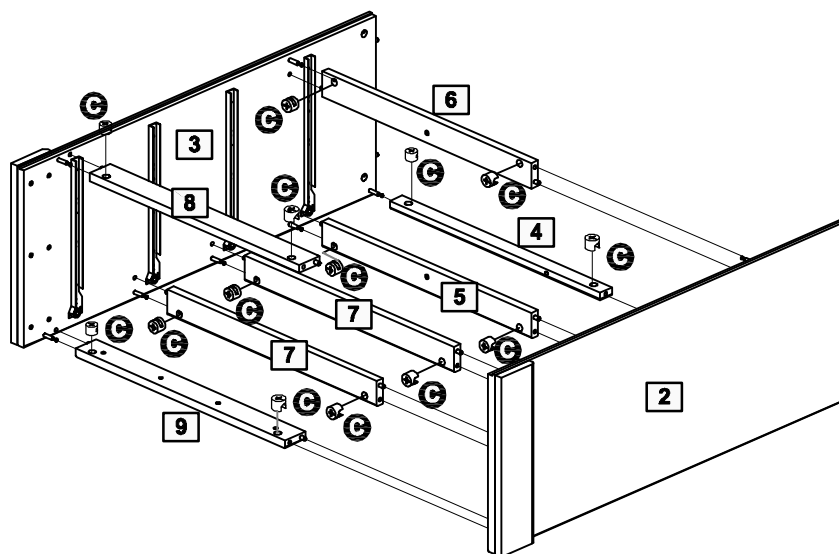
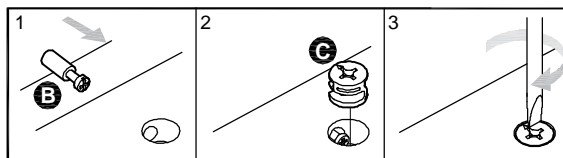
b:



Step 6

Fixing Rails

Attached rails **4** **5** **6** **7** **8** **9** to Left side **2** as show on picture, insert Large locking nuts **C** and use a screwdriver to turn locking nuts clock wise to lock. Then, attach the rails to Right side **3**, insert Large locking nuts **C** and use a screw driver to turn locking nuts clock wise to lock.

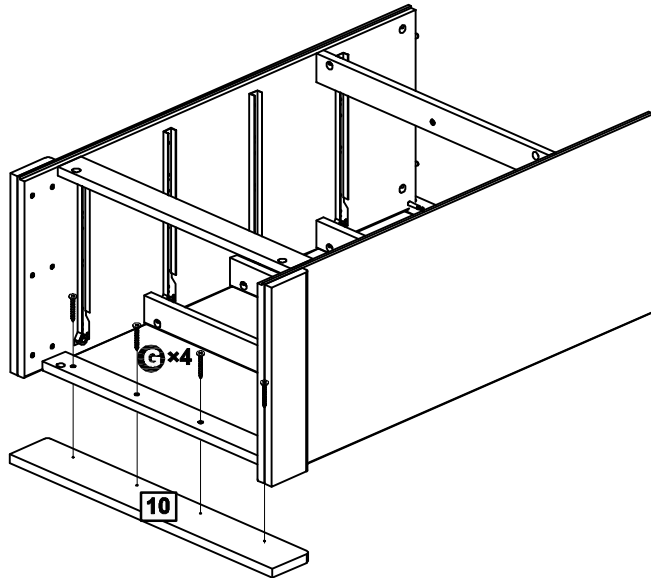
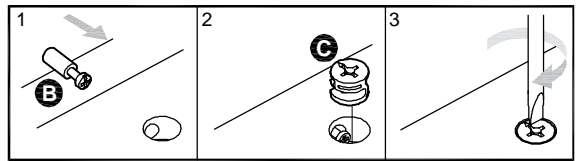


Assembly Instructions

Step 7

Fixing Front Plinth

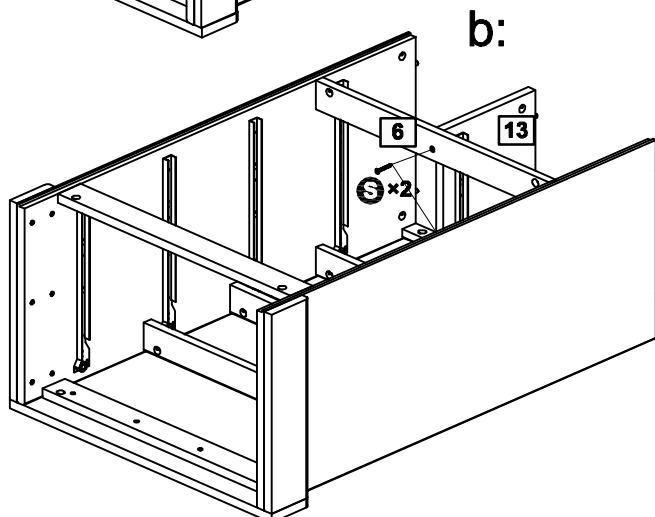
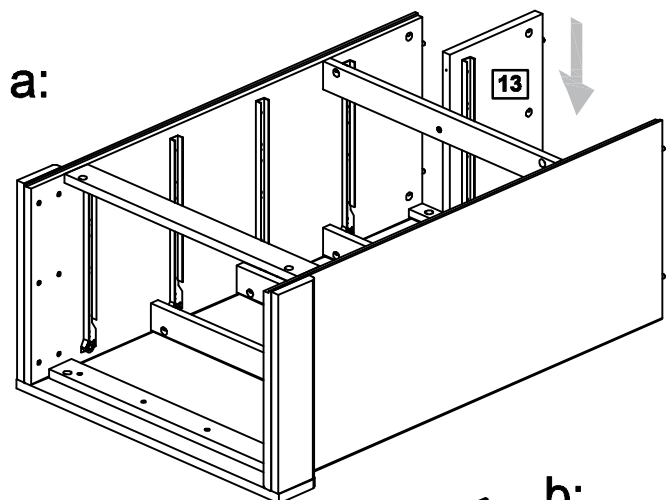
Fix Front Plinth **10** onto the underneath of the unit by using 4 screws **G**.



Step 8

Fixing Divider

Attach Divider **13** to the unit and fix by Screw **S**.



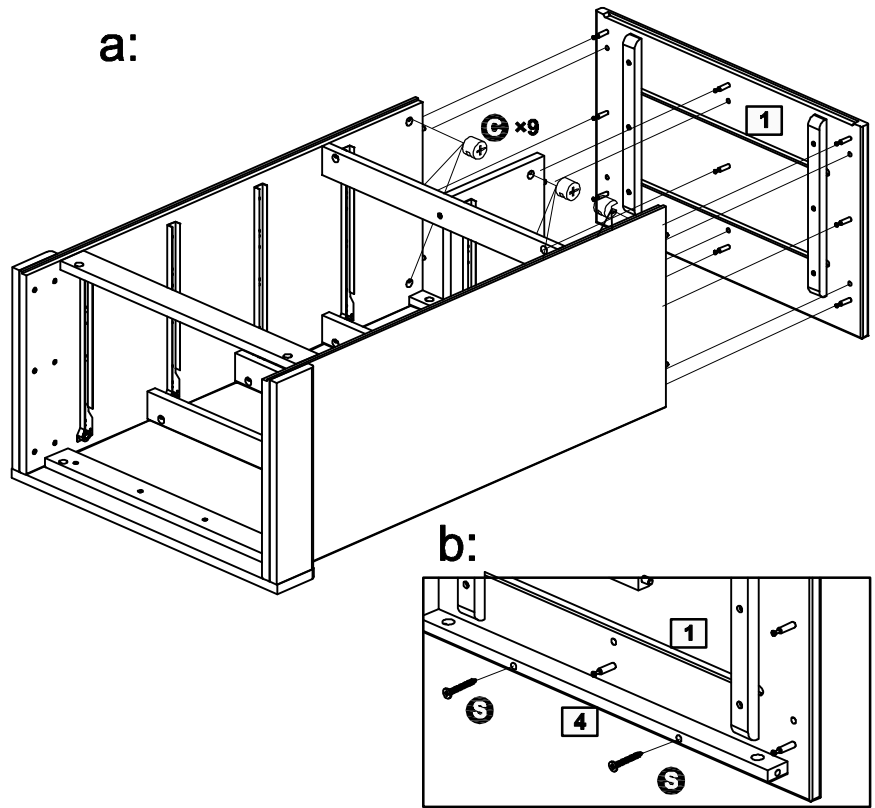
Assembly Instructions

Step 9

Attaching Top

a: Attach Top **1** to the unit.
Insert Large locking nuts **C** where shown and use a screwdriver to turn locking nuts **C** clockwise to lock.

b: Fix Front rail **4** with Top **1** by Screw **S**.

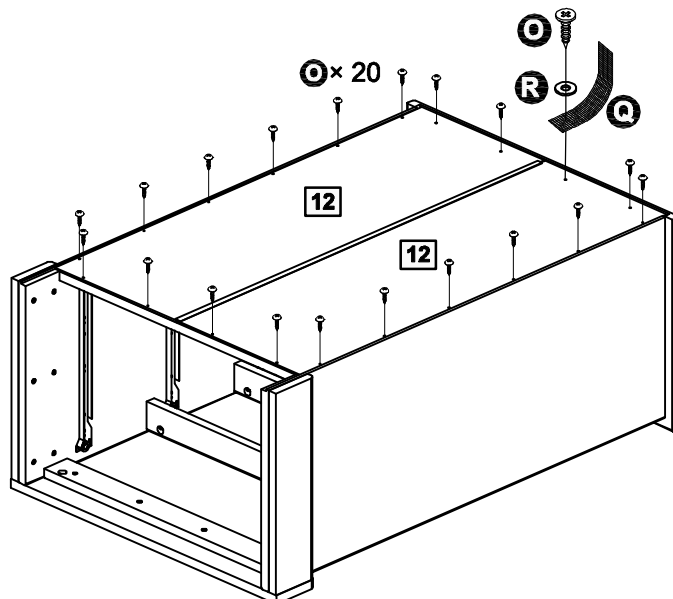
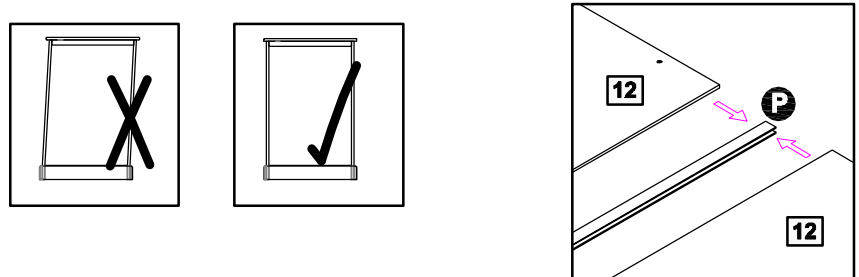


Step 10

Fixing back panel

Joint the Back panels **12** to Plastic bar **P**.

Attach Back panels **12** to back of the unit by using Screws **O**.
Fix the Wall strap **Q** using Washer **R** and Screw **O**.



Important:
Chest of drawers Must be 'Square' when back is attached.

Assembly Instructions

Step 11

Large Drawer assembly

a: Insert Small locking pin **E** into holes shown on back of Drawer front **14**.

Note: Insert Locking pin as far as shown.
Do not over tighten.

b: Attach Drawer sides **17** and **18** and Support rail **16** to Drawer front **14**.

Insert Small locking nuts **F** and use a screwdriver to turn locking nuts **F** clockwise to lock.

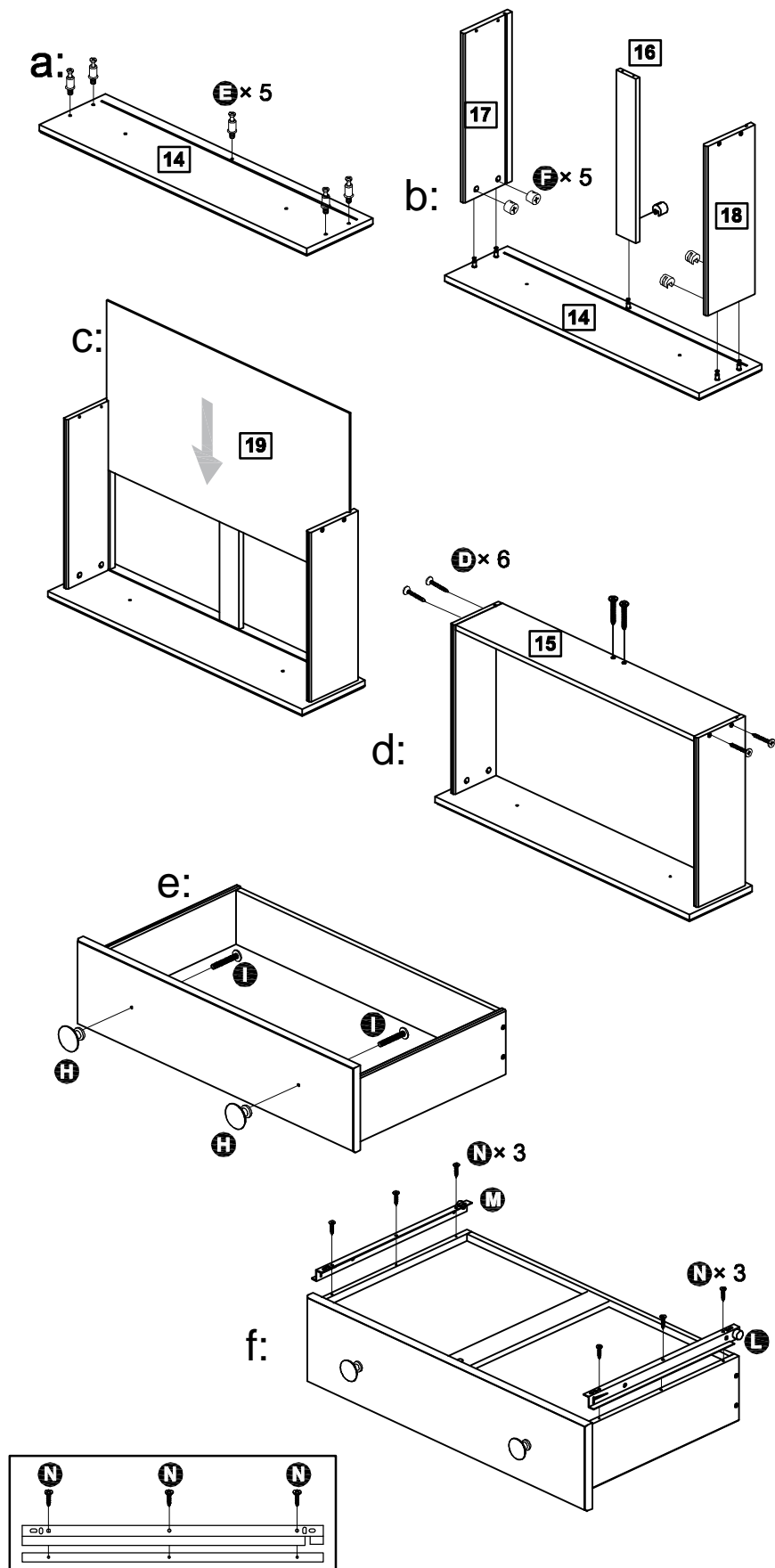
c: Slide Drawer base **19** into grooves.

d: Fix Drawer back **15** onto drawer unit by using Screws **D**.

e: Fix Handles **H** by using Screw **L**.

f: Fix Runners **L** and **M** onto the underside of Drawer sides by using Screws **N**.

Repeat with remaining drawers.



Assembly Instructions

Step 12

Small Drawer assembly

a: Insert Small locking pin **E** into holes shown on back of Drawer front **20**.

Note: Insert Locking pin as far as shown.

Do not over tighten.

b: Fix Drawer sides **17** and **18** to Drawer front **20**.

Insert Small locking nuts **F** into Sides and use a screwdriver to turn locking nuts **F** clockwise to lock.

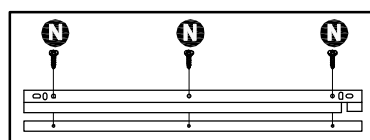
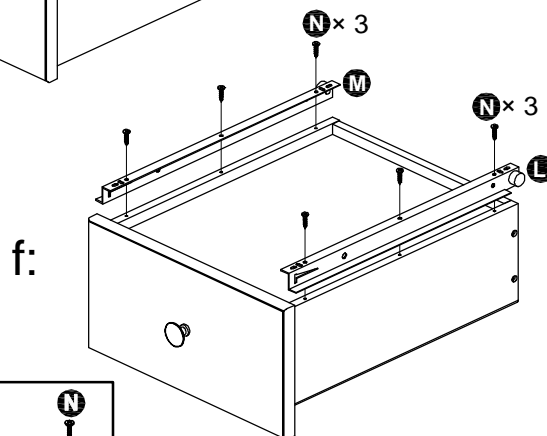
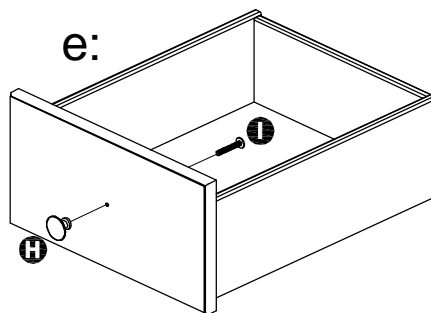
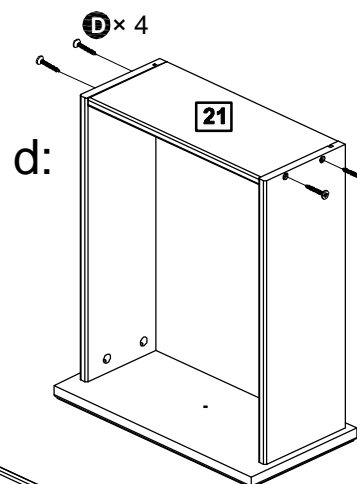
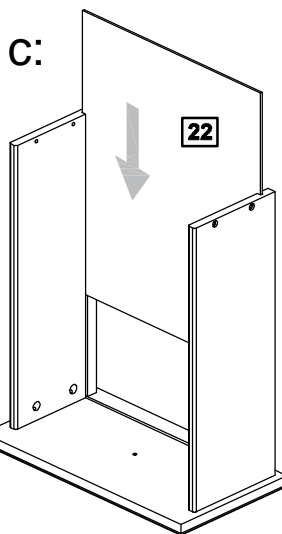
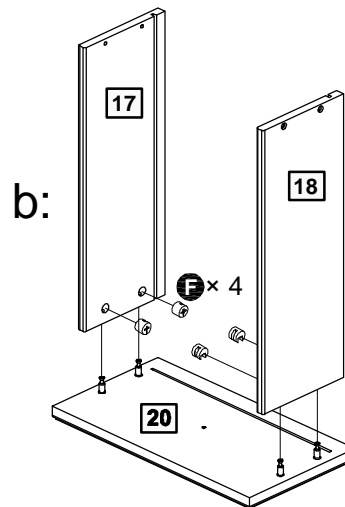
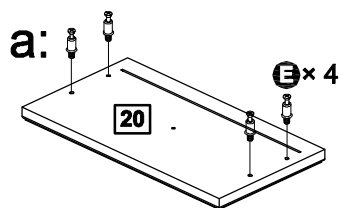
c: Slide Drawer base **22** into grooves.

d: Fix Drawer back **21** onto sides by using 4 Screws **D**.

e: Fix Handle **H** by using Screw **L**.

f: Fix Runners **L** and **M** onto the underside of Drawer sides by using 6 Screws **N**.

Repeat with remaining drawer.

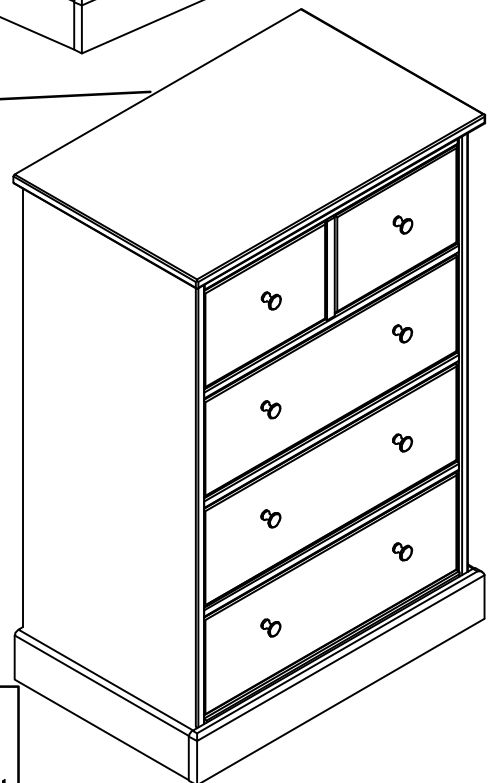
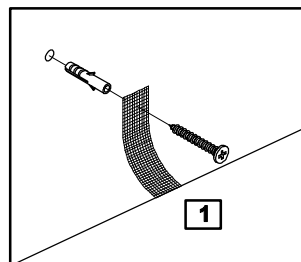
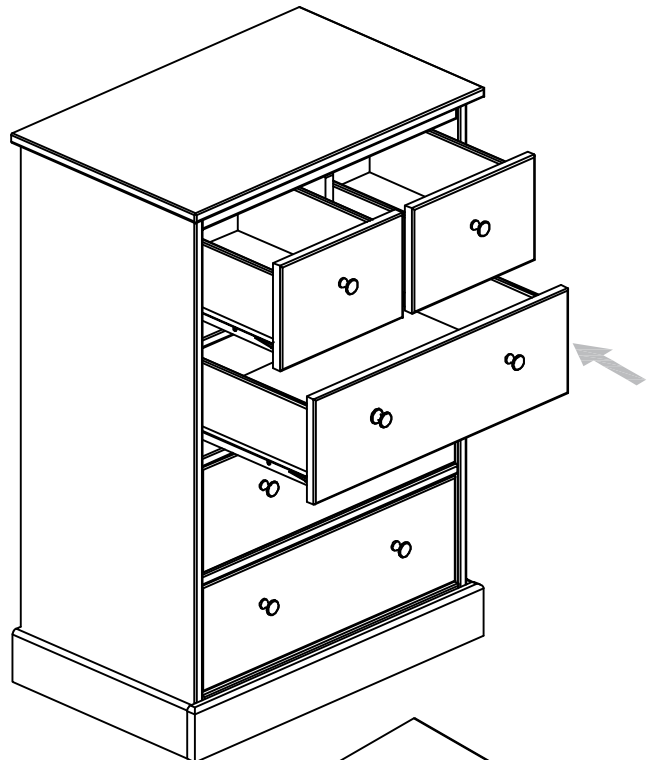
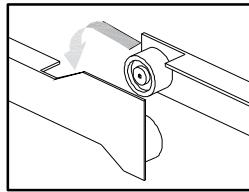


Assembly Instructions

Step 13

Inserting Drawers

Carefully put in the drawers.



Note: wall plugs are not supplied.

The correct type of fixing must be used for your wall, seek professional advice in doubt.

Assembly is complete.

If you need help or have damaged or missing parts, call the **Customer Helpline:**

03456 400800 Retailer: Argos

Address: 489-499 Avebury Boulevard Saxon Gate West, Central Milton Keynes
Bucks, MK9,2NW

A Guide to - Wall Mounting & Fixings

Important note:

If plastic wall plugs are supplied with your product:



- these are only suitable for use in masonry walls.

If you are in any doubt about the correct wall plugs for your wall, seek professional advice.


Failure of the product due to using incorrect fixings is the responsibility of the installer.



Important: When drilling into walls always check that there are no hidden wires or pipes etc.

Make sure that the screws and wall plugs being used are suitable for supporting your unit. Consult a qualified tradesperson if you are unsure.

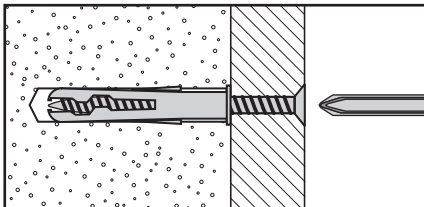
Hints:

- 1: General rule:**  Always use a larger screw and wall plug if you are not sure.
- 2:** Ensure you use the recommended drill bit to match the wall plug and hole size.
- 3:** Ensure you drill the hole horizontally, do not force the drill or enlarge the hole.
- 4:** Take extra care when drilling high walls, ceilings and ceramic tiles. Ensure wall plugs are inserted beyond the thickness of the ceramic tiles to avoid the tiles splitting or cracking.
- 5:** Ensure wall plugs are well fitted and are a tight fit in the drilled hole.

Types of walls

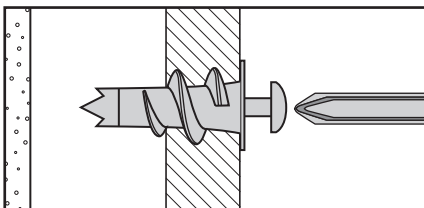
You can use one of the following types of wall plug if your walls are made of brick, breeze block, concrete, stone or wood.

No.1 "General Purpose" wall plug



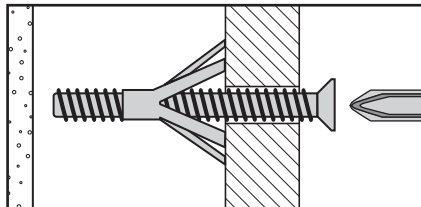
Generally aerated blocks should not be used to support heavy loads, use a specialist fitting in this case. For light loads, general purpose wall plugs can be used.

No.2 "Plasterboard" wall plug



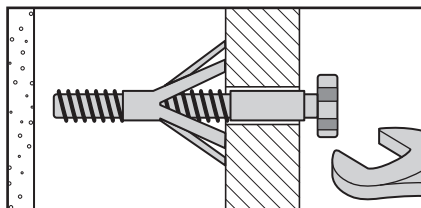
For use when attaching light loads on to plasterboard partitions.

No.3 "Cavity Fixing" wall plug



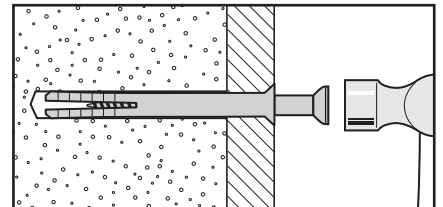
For use with plasterboard partitions or hollow wooden doors.

No.4 "Cavity Fixing-Heavy Duty" wall plug



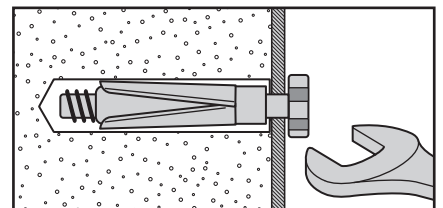
For use when fitting or supporting heavy loads such as shelving, wall cabinets and coat racks.

No.5 "Hammer Fixing" wall plug



For use with walls stuck with plasterboard. The hammer fixing allows it to be fixed to the wall rather than the plasterboard. Always check the fixing is secure to the retaining wall.

No.6 "Shield Anchor" wall plug Heavy loads



For use with heavier loads such as TV & HiFi speakers and satellite dishes etc.



Care & Maintenance

Safety: Always check the fitting and location to ensure your safety in and around the home.

Fitting: From time to time check the fitting to ensure the wall plugs or screws do not become loose.