

Assembly and Operating Instructions for

3 Burner with Side Burner Gas BBQ



Photographs are not to scale.
Specifications subject to change
without prior notice.

Model KS10013

CE 0359



WARNING

- For outdoor use only. Not for commercial use.
- Use only Propane regulator 37mbar.
- Read instructions before using the appliance. Failure to follow instructions could result in death, serious bodily injury, and/or property loss.
- Warning: accessible parts may be very hot. Keep young children away.
- Do not move the appliance during use.
- Turn off the gas supply at the gas bottle after use.
- Any modification of the appliance, misuse, or failure to follow the instructions may be dangerous and will invalidate your warranty. This does not affect your statutory rights.
- Retain these instructions for future reference.
- Leak test your barbecue annually. Check the hose connections are tight and leak test them each time you reconnect the gas bottle.

FOR YOUR SAFETY

If you smell gas:

1. Shut off gas to the appliance.
2. Extinguish any open flame.
3. Open barbecue lid or hood.
4. If odour continues, discontinue use and contact your local dealer.

FOR YOUR SAFETY

1. Do not store or use petrol or other flammable vapours or liquids in the vicinity of this or any other appliance.
2. A gas bottle not connected for use shall not be stored in the vicinity of this or any other appliance.

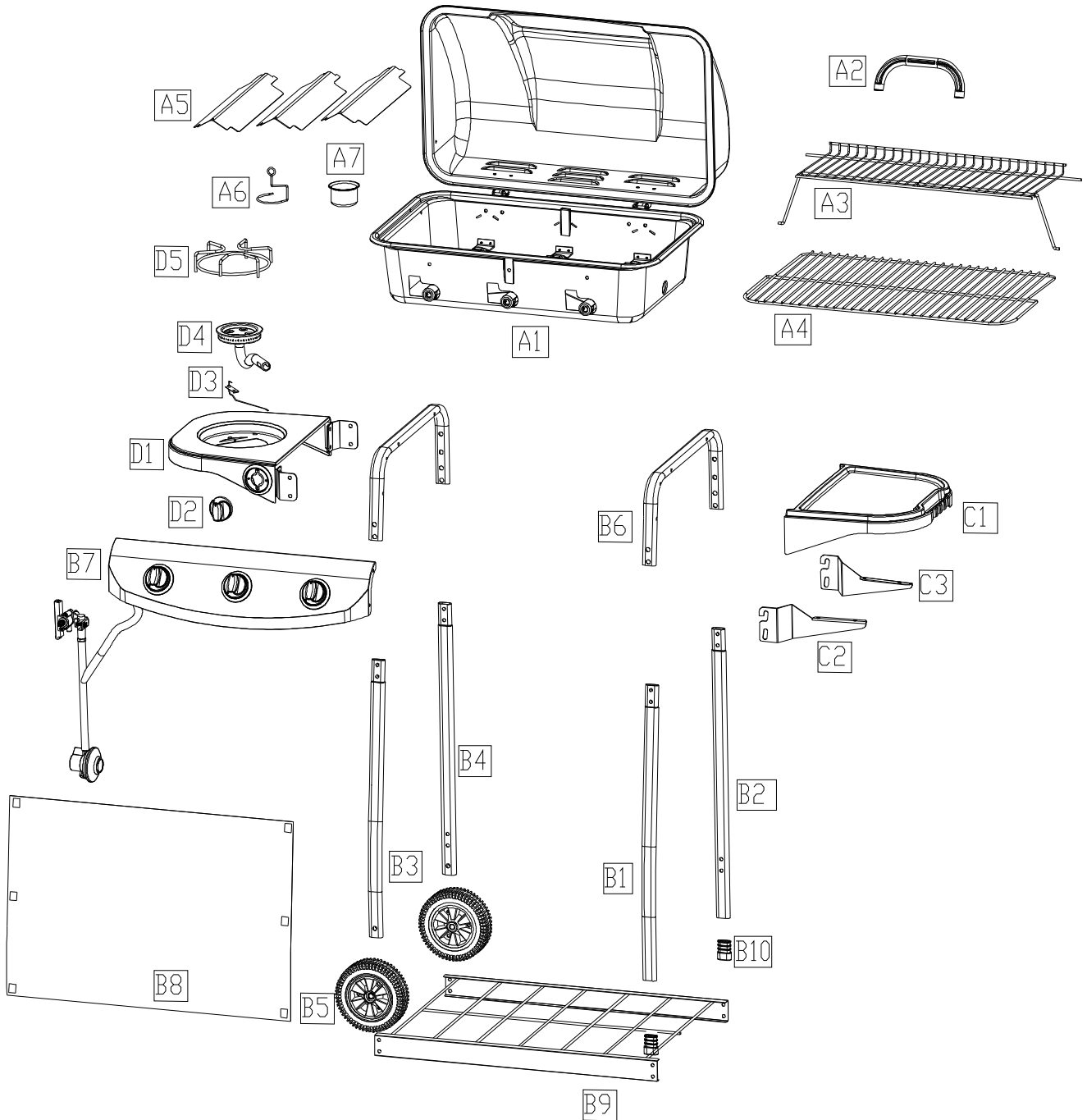
A. Parts List

Quantities vary according to model purchased. Specifications subject to change without prior notice. For more details on hardware, please see the corresponding Hardware Reference Diagram for your barbecue model.

Code	Part	Qty
A1	Grill assembly	1
A2	Lid handle	1
A3	Warming rack	1
A4	Cooking grill	1
A5	Heat tent	3
A6	Grease cup hanger	1
A7	Grease cup	1
B1	Right front leg	1
B2	Right rear leg	1
B3	Left front leg	1
B4	Left rear leg	1
B5	Wheel	1
B6	Upper support	2
B7	Control panel assembly	2
B8	Front canvas	2
B9	Bottom shelf	1
B10	Leg cap	1
C1	Side table	1
C2	Side table front support	1
C3	Side table rear support	1
D1	Side burner assembly	1
D2	Side burner knob	1
D3	Side burner electrode	1
D4	Side burner	1
D5	Side burner grate	1
E1	M6*25 bolt	11
E2	M6*10 bolt	8
E3	M6 nut	15
E4	M6*40 bolt	8
E5	M5*10 bolt	2
E6	R Pin	2
E7	Axle	2
E8	M6*15 bolt	4
E9	M6*20 Shoulder bolt	4
E10	M4*8 round head bolt	2
E11	ST4*10 bolt	4
E12	Washer	2
E13	M4*8 pan head bolt	1

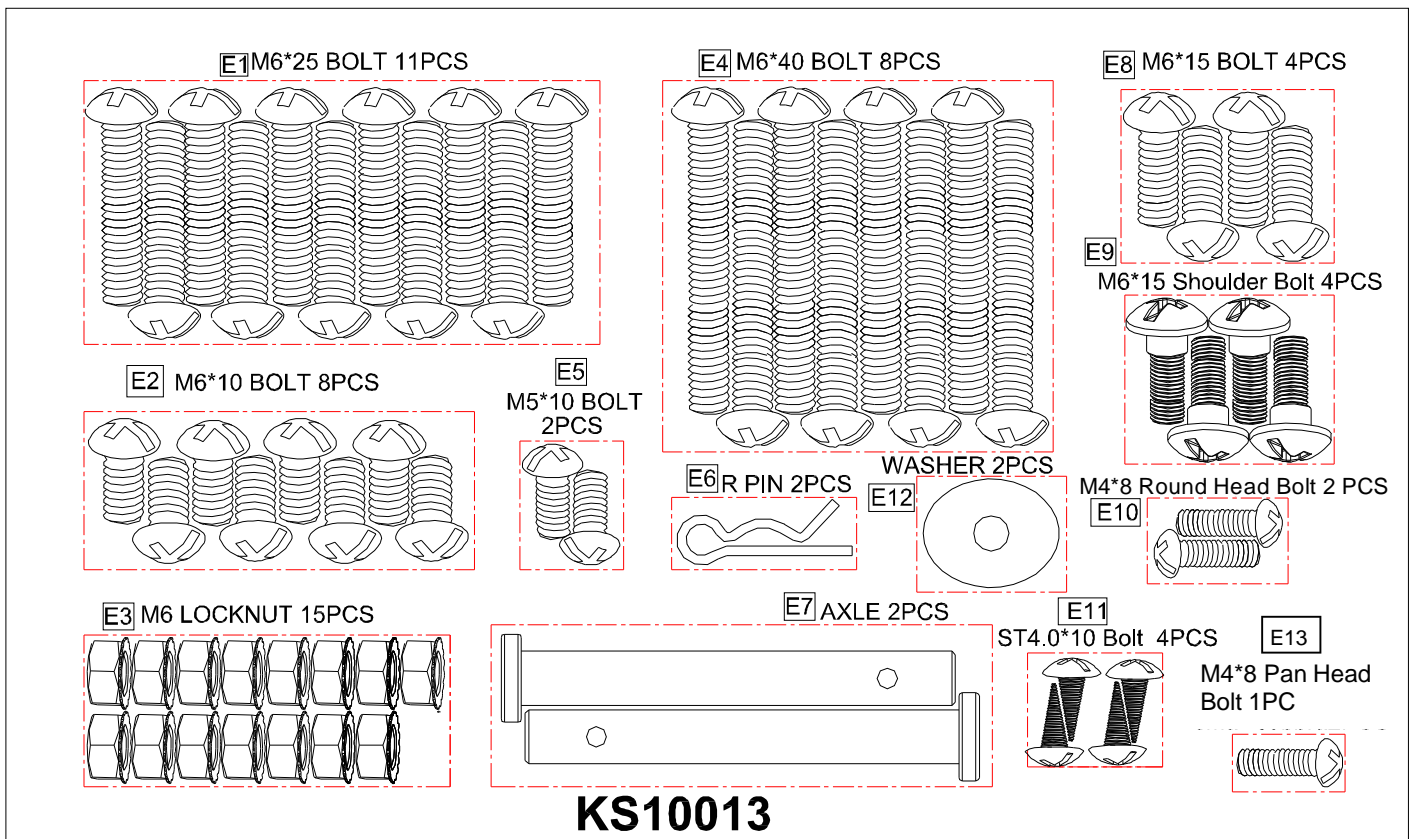
B1. Parts Diagram

Quantities vary according to model purchased. Specifications subject to change without prior notice. For more details on hardware, please see the corresponding Hardware Reference Diagram for your barbecue model.



B2. Hardware Reference Diagram

Specifications subject to change without prior notice.



C. Assembly

TOOLS NEEDED FOR ASSEMBLY:

Medium size flat blade or Philips/cross-point screwdriver, adjustable spanner or metric spanner set.

This barbecue requires two people for assembly. Please remove all packaging materials from all individual parts before assembling. Please lay out all nuts and bolts and check lengths before assembling. Whilst every care is taken during the manufacture of this product, care must be taken during the assembly in case sharp edges are present.

1

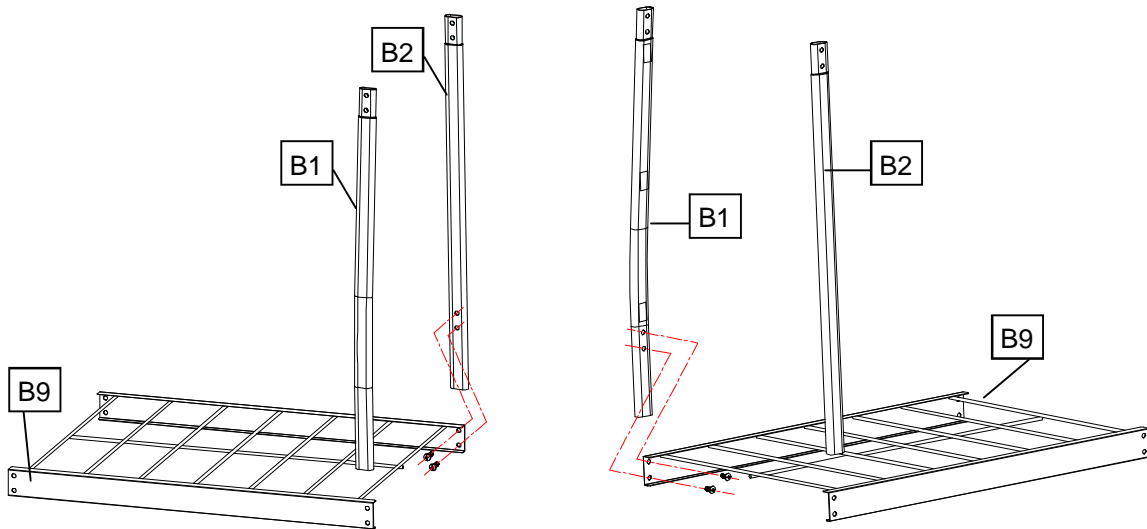


Fig 1

Put the Right Front Leg (B1) and Right Rear Leg (B2) on the Bottom Shelf (B3) using M6*10 Bolt (E2) as Fig 1. Fix the bolts tightly by the screwdriver.

2

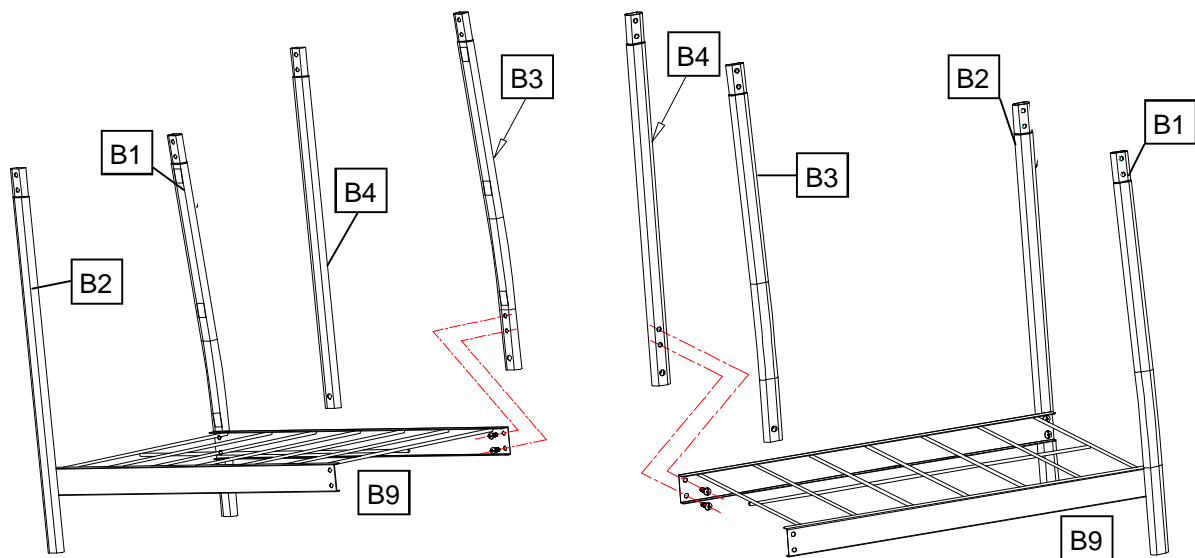


Fig 2

Put the Left Front Leg (B3) and Left Rear Leg (B4) on the Bottom Shelf (B9) using M6*10 Bolt (E2) as Fig 2. Fix the bolts tightly by the screwdriver.

3

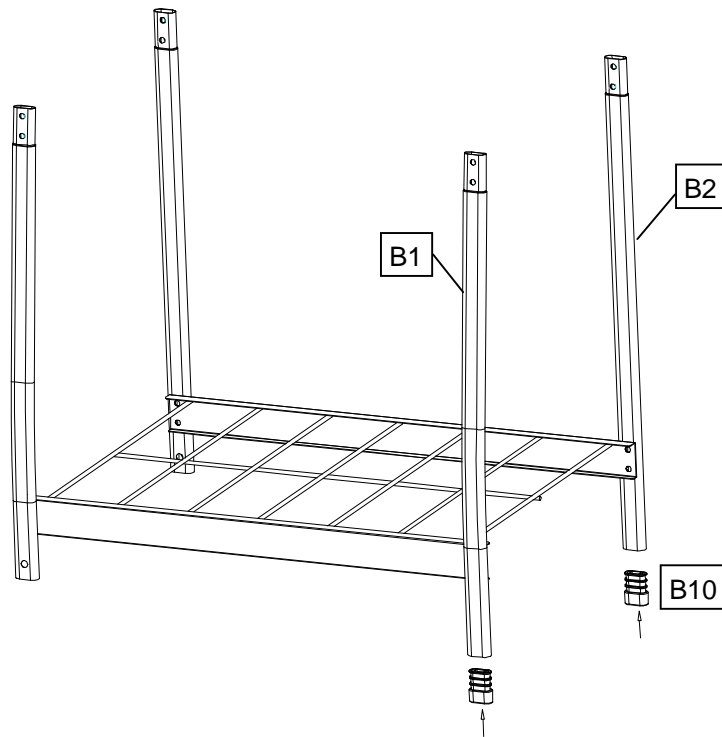


Fig 3

Fix the Leg Cap (B10) to the Right Front Leg (B1) and Right Rear Leg (B2) as Fig 3. Hammer the Leg Cap (B10) slightly to make it fix on the legs.

4

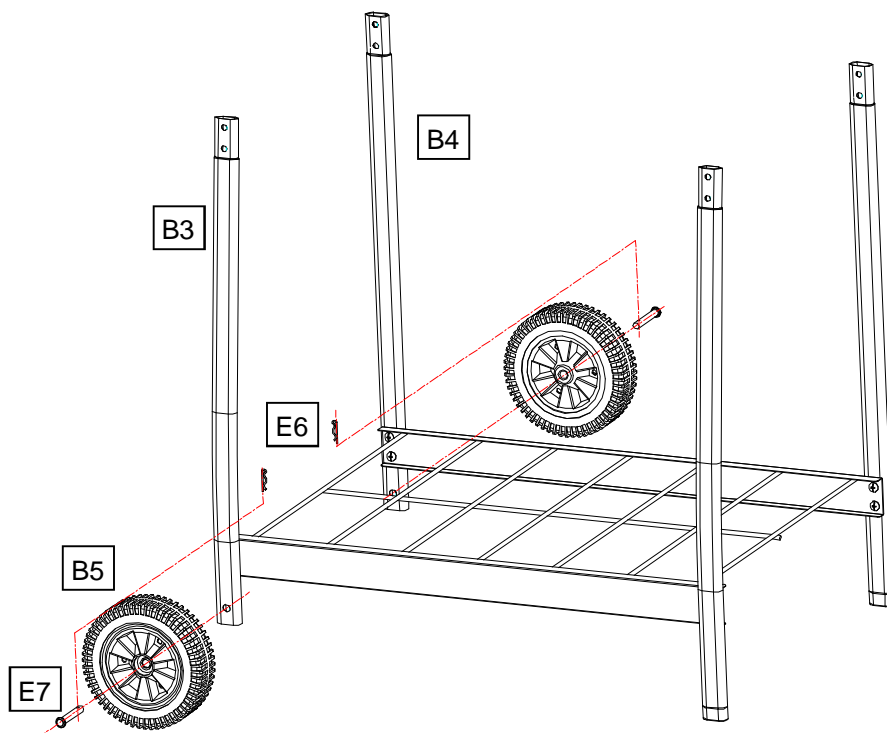
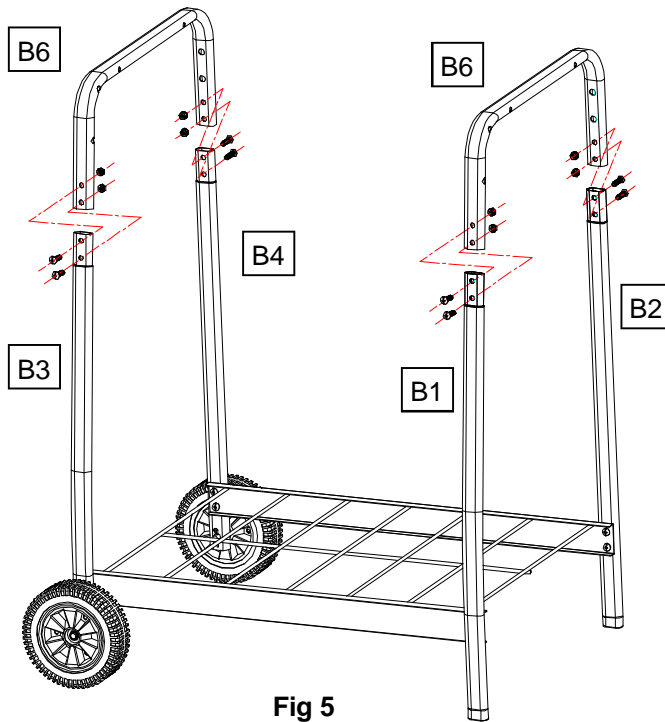


Fig 4

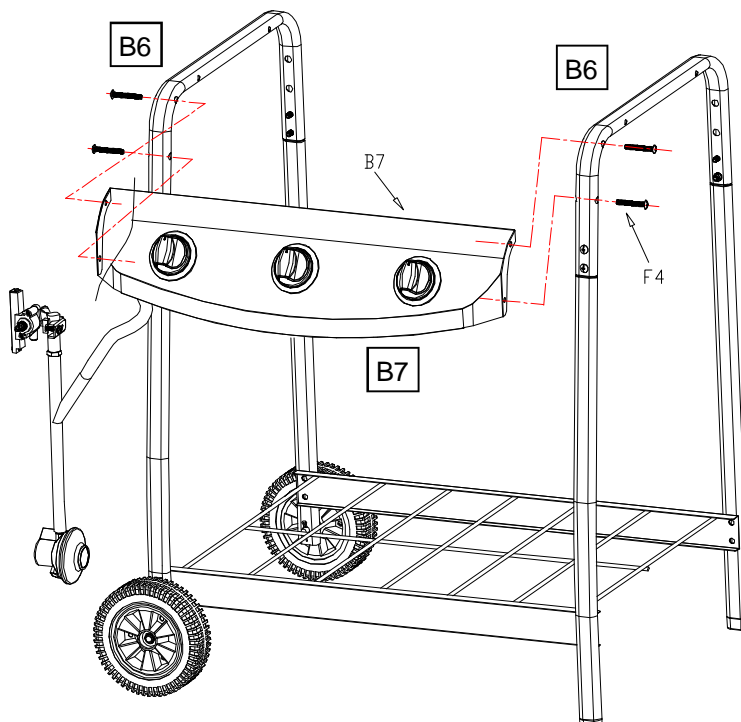
Insert the Wheels (B5) to Left Front Leg (B3) and Left Rear Leg (B4) using the Axle (E7). Then fix the Axle (E7) by R pin (E6) as Fig 4.

5**Fig 5**

Connect the Upper Support (B6) with the Left Front Leg (B3) and Left Rear Leg (B4) using the M6*25 bolt (E1) and M6 nuts (E3) as Fig 5.

Repeat the same connection of the Upper Support (B6) with the Right Front Leg (B1) and Right Rear Leg (B2) using the M6*25 bolt (E1) and M6 nuts (E3) as Fig 5.

Fix the bolts tightly by the screwdriver.

6**Fig 6**

Fix the Control Panel Assembly (B7) to Upper Supports (B6) using M6*40 bolt (E4) as Fig 6 . Fix the bolts tightly by the screwdriver.

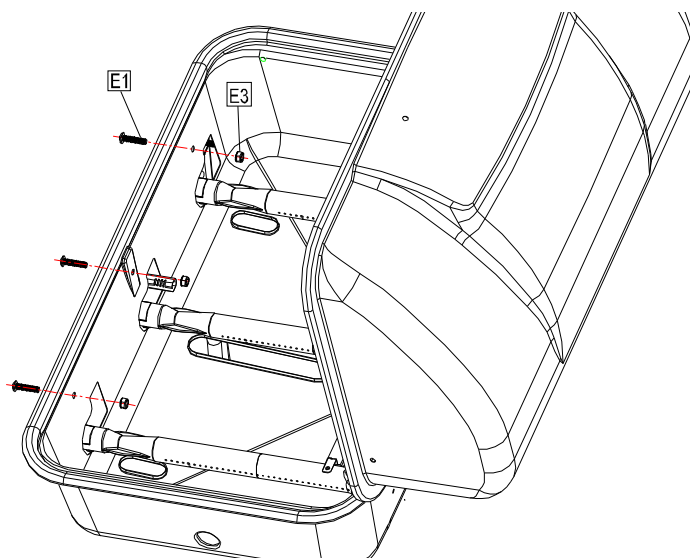


Fig 7a

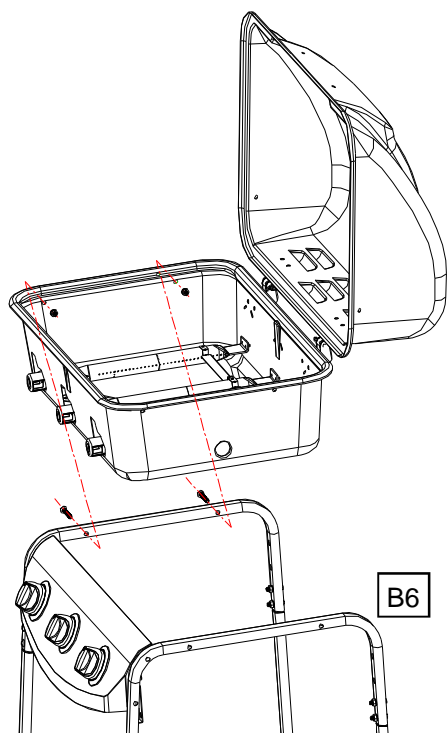


Fig 7b

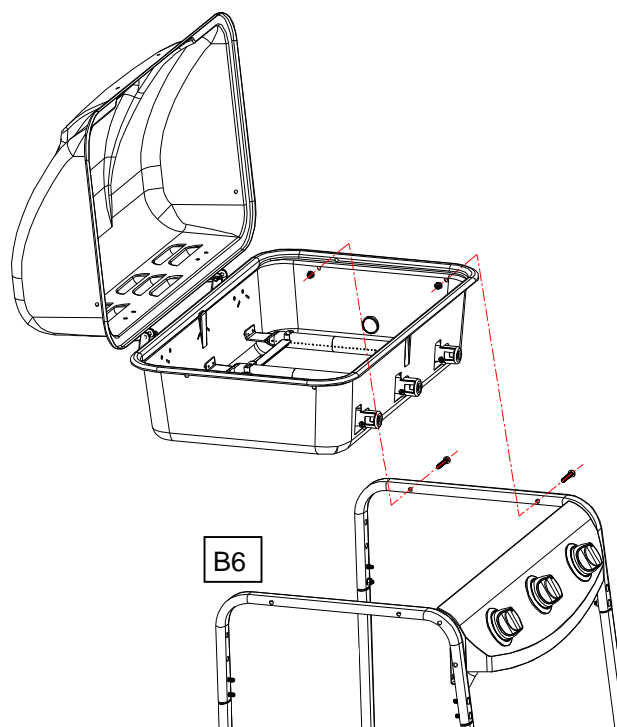


Fig 7c

Fix the burner of the Grill Assembly (A1) using M6*25 bolt (E1) and M6 nut (E3) as Fig 7a.

Set the Grill Assembly (A1) on the Upper Supports (B6) and fix it by M6*40 bolt (E4) and M6 nut (E3) as Fig 7b and 7c. (Do not tighten the bolts at this stage.)

Align all the valves on the Control Panel Assembly (B7) against each venturi of the burner on the Grill Assembly (A1). Make sure all the valve tips go into the venture tube completely with good alignment. Fix all the bolts and tighten them by the screwdriver.

8

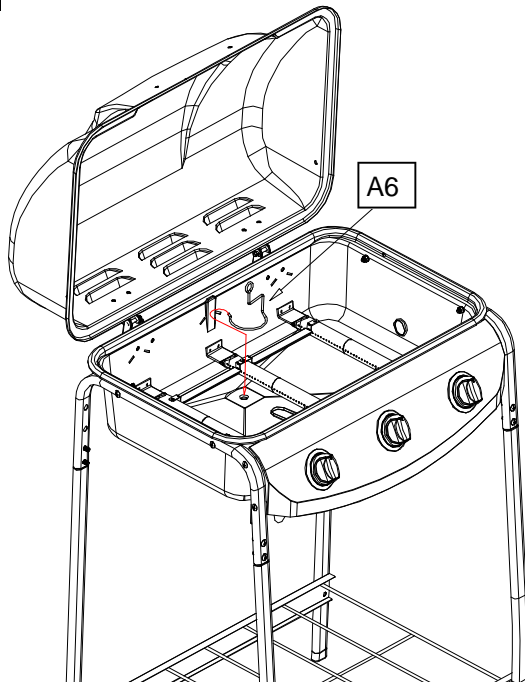


Fig 8a

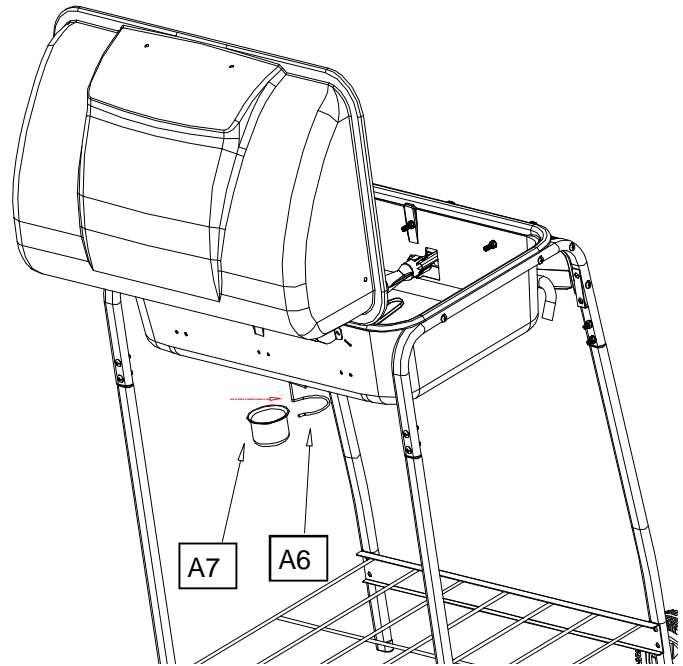


Fig 8b

Hang the Grease Cup Hanger (A6) and Grease Cup (A7) on the Grill Assembly (A1) as Fig 8a and 8b.

9

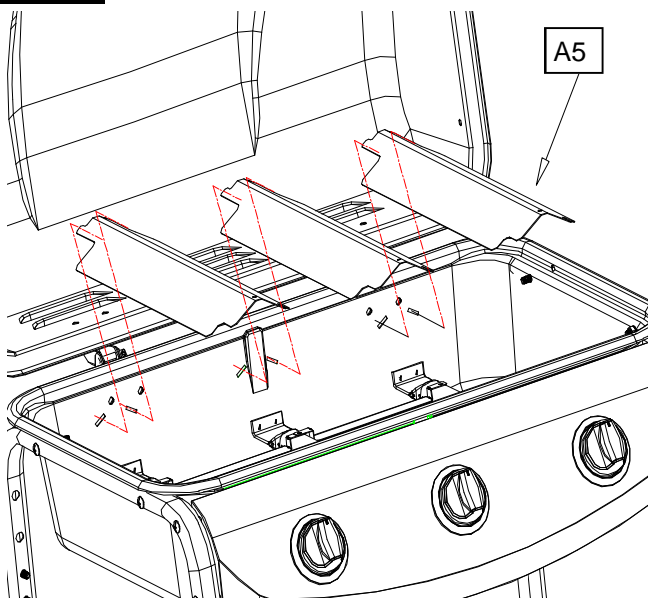


Fig 9a

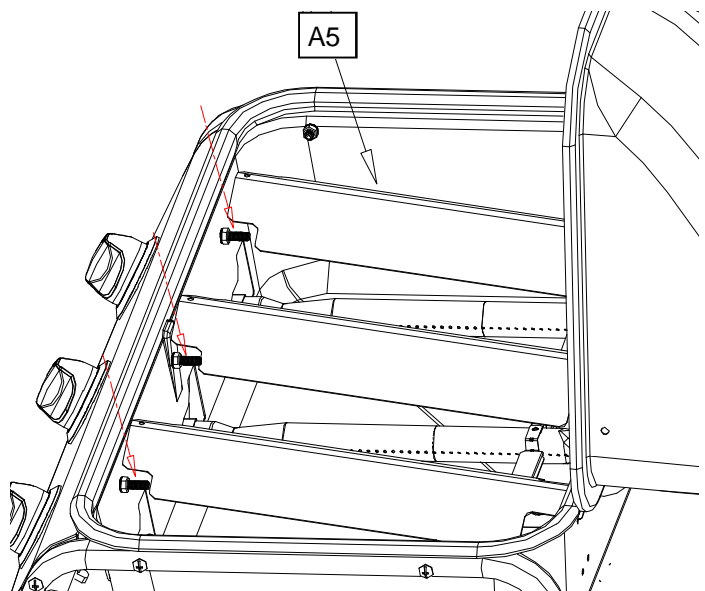
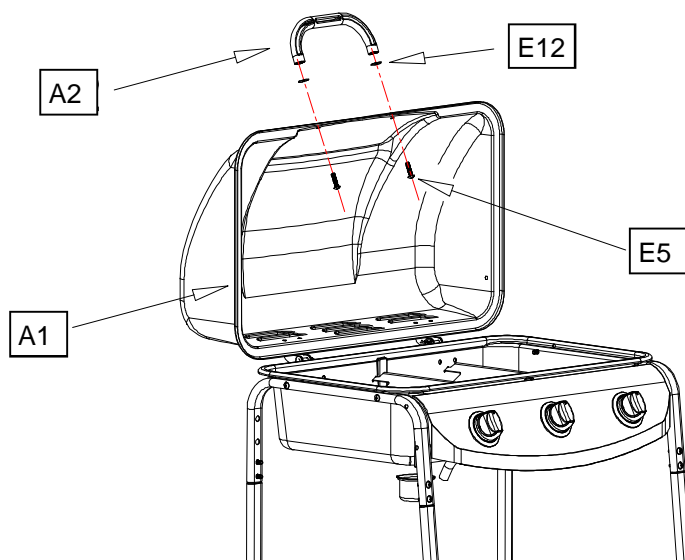
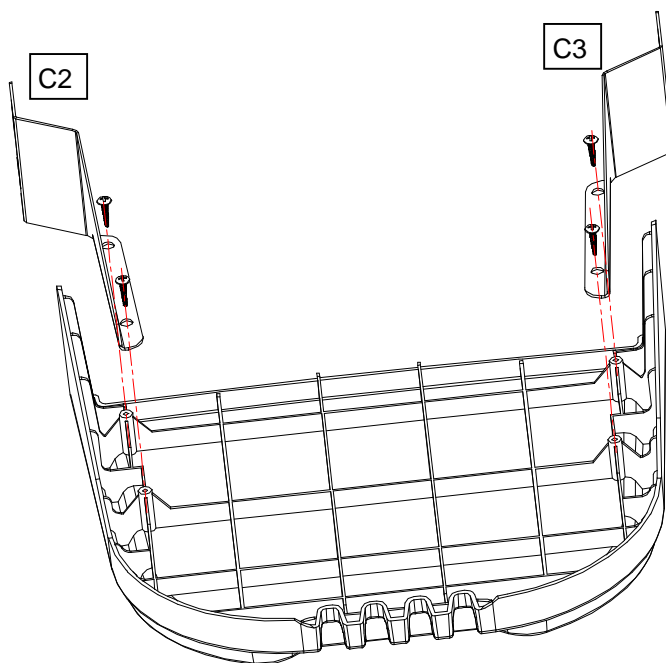


Fig 9b

Place the Heat Tent (A5) on top of each burner of the Grill Assembly (A1).
Align the Heat Tent (A5) with tabs on its end against slots on the firebowl back as Fig 9a.
Rest the Heat Tent (A5) on the pre-assembled bolts fixed on step 7 as Fig 9b.

10**Fig 10**

Put the Washer (E12) between the Lid Handle (A2) and the Lid of the Grill Assembly (A1). Align the holes and fix the Lid Handle (A2) on the Lid of the Grill Assembly (A1) using M5*10 bolts (E5) as Fig 10. Fix the bolts tightly by the screwdriver.

11**Fig 11**

Assemble the Side Table Front Support (C2) and Side Table Rear Support (C1) to the Side Table (C1). Secure the supports with ST4.0*10 screws (E11) as Fig 11.

12

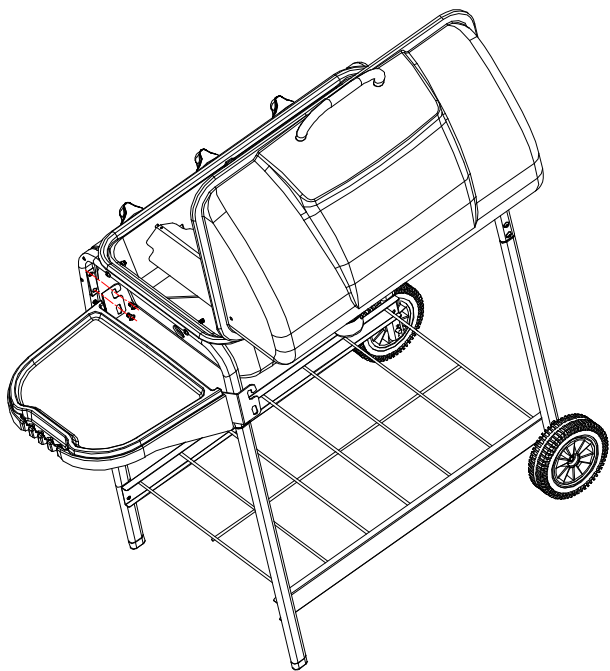


Fig 12a

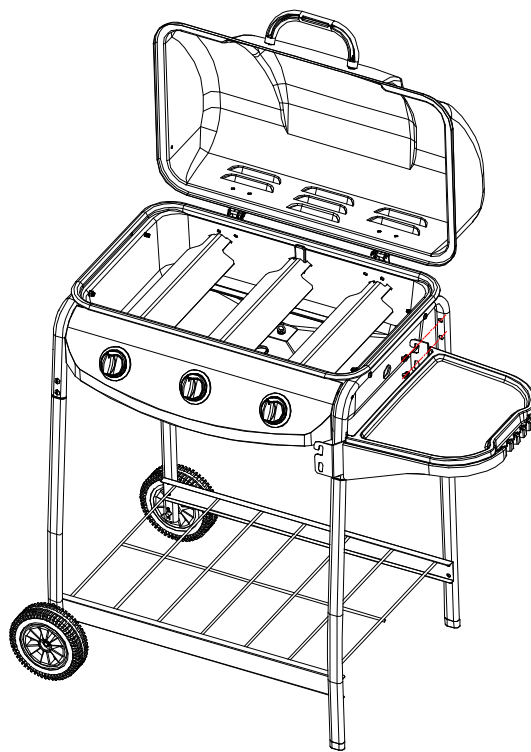


Fig 12b

Install the Side Table Assembly made in Step 9 to the Right Upper Support (B6) by M6*20 Shoulder Bolt (E9) as Fig 12a and 12b.

13

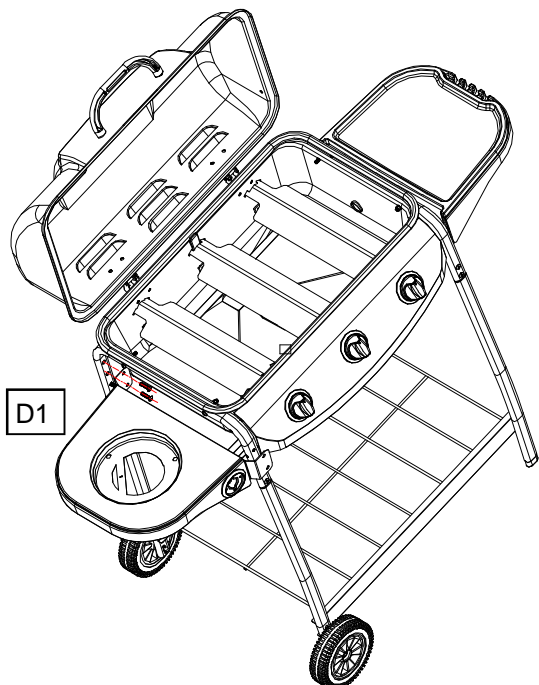


Fig 13a

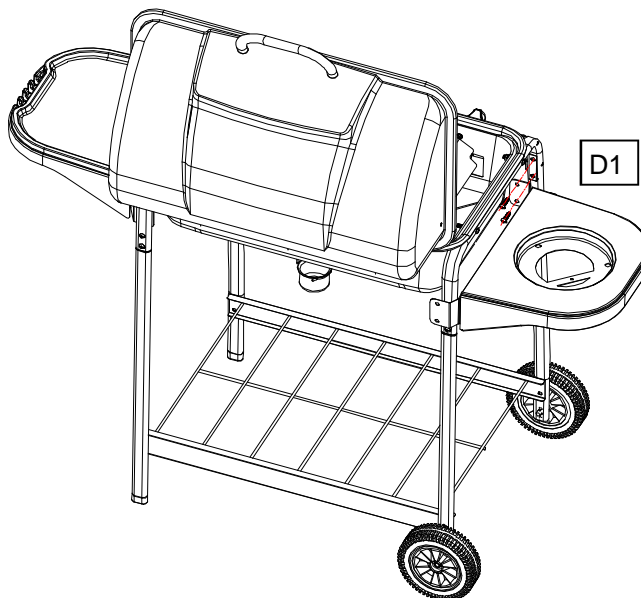


Fig 13b

Install the Side Burner Assembly (D1) to the Left Upper Support (B6) using M6*15 bolt (E8) as Fig 13a and 13b.

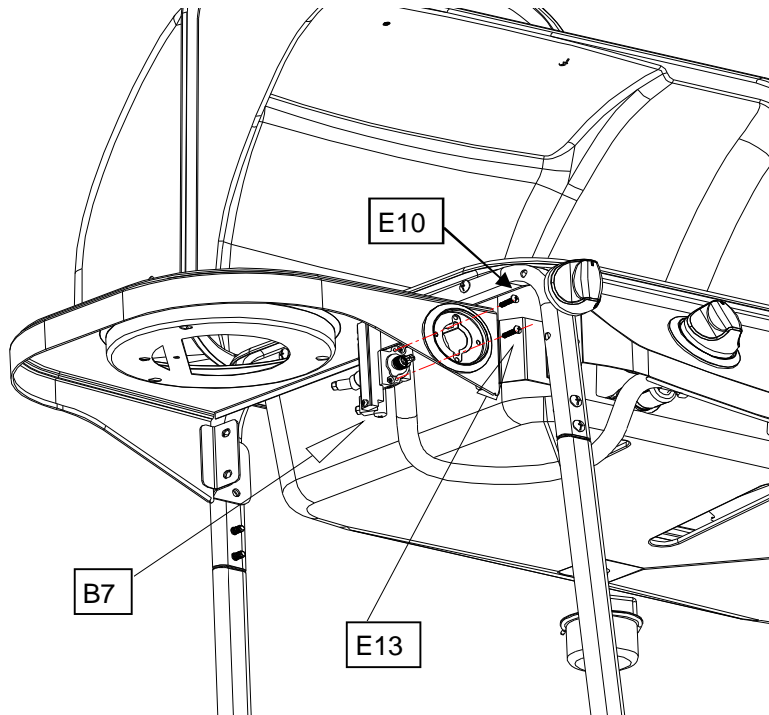


Fig 14a

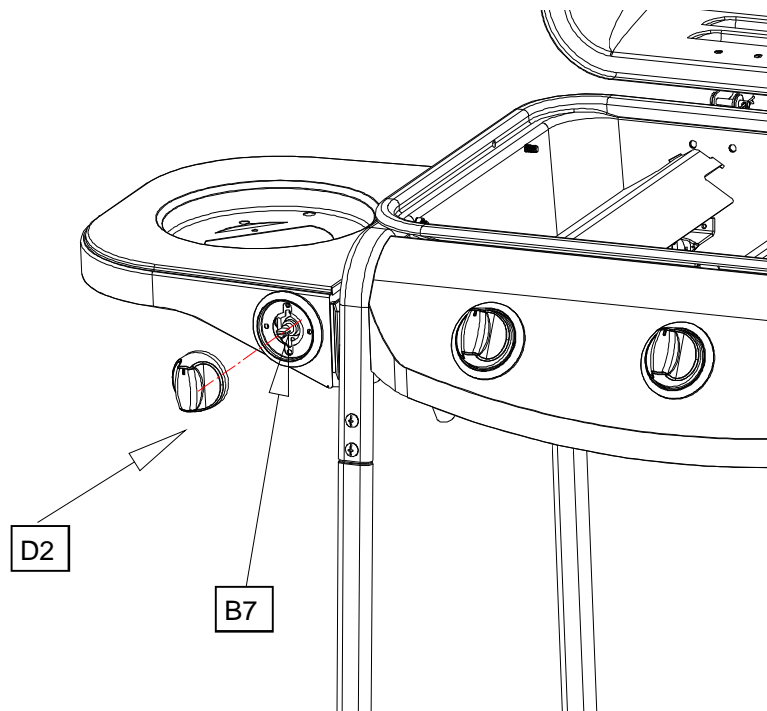


Fig 14b

Fix the side burner valve of the Control Panel Assembly (B7) on the side burner panel bracket of the Side Burner Assembly (D1) using M4*8 round head bolt (E10) on the top and M4*8 pan head bolt (E13) at the bottom as Fig 14a.

Put the Side Burner Knob (D2) on the side burner valve of the Control Panel Assembly as Fig 14b.

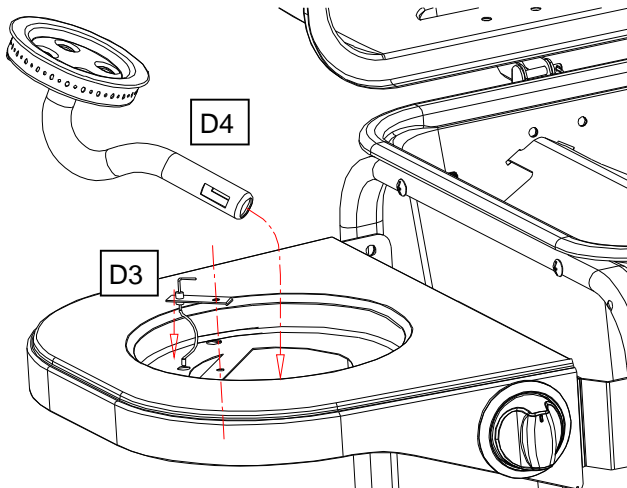


Fig 15a

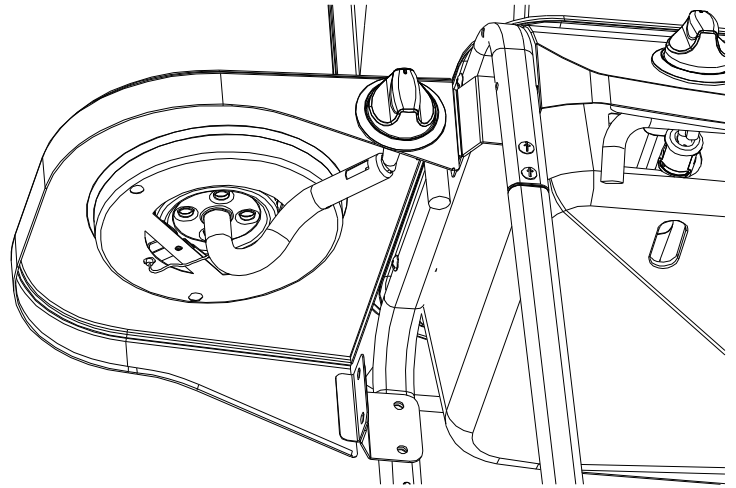


Fig 15b

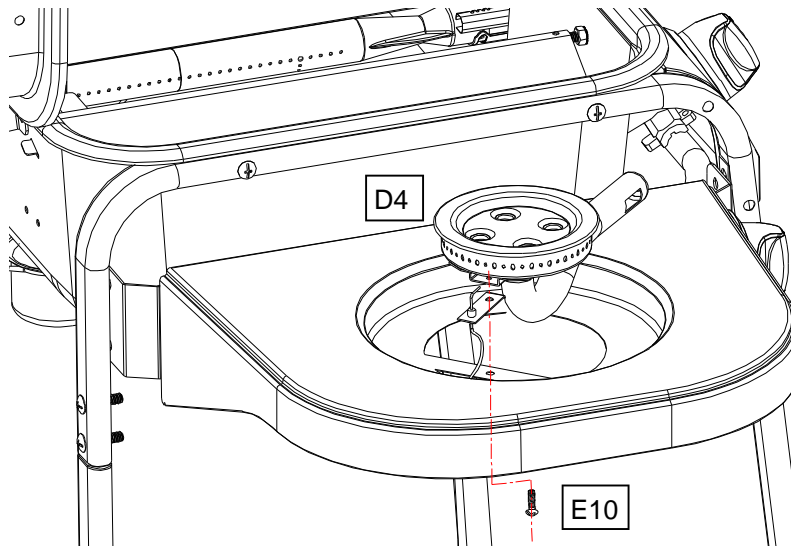


Fig 15c

Fix the Side Burner Electrode (D3) on the Side Burner Assembly (D1) using M4*8 bolt (E10) as Fig 15a.

Put the Side Burner (D4) through the hole of Side Burner Assembly (D1). Adjust the burner venturi against the valve as Fig 15b. Make sure the valve tip goes into the venturi tube completely with good alignment.

Then tighten the Side Burner (D4) on the Side Burner Assembly (D1) using M4*10 bolt (E10) as Fig 15c.

16

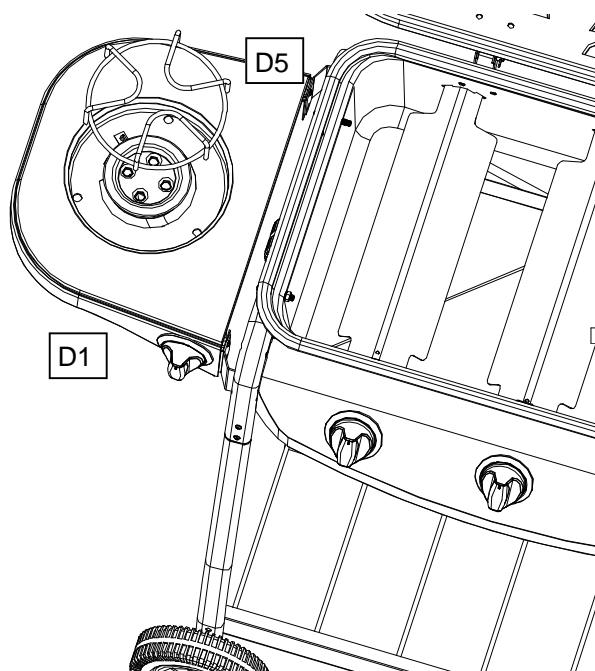


Fig 16

Put the Side Burner Grate (D5) on the Side Burner Assembly (D1) and align with 3 holes as Fig 16.

17

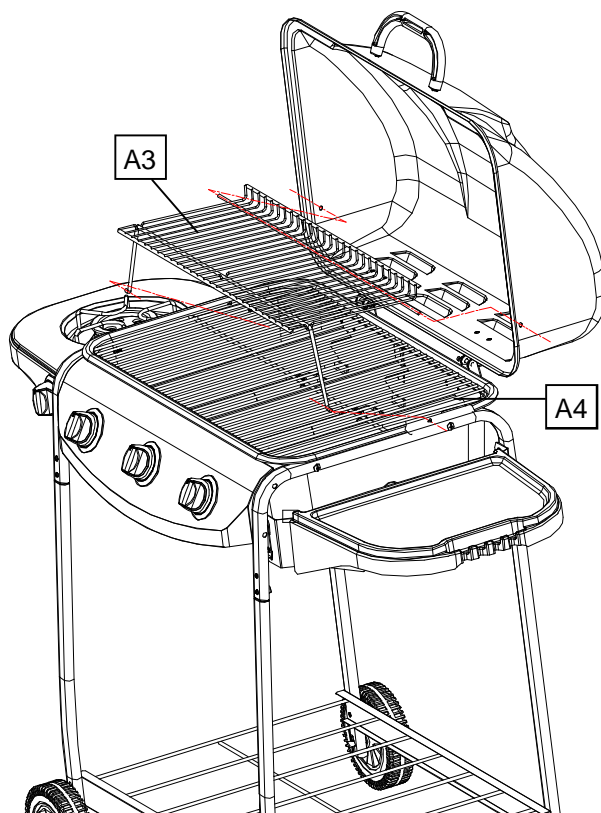


Fig 17

Put the Cooking Grill (A4) and Warming Rack (A3) on the Grill Assembly (A1) as Fig 17.

18

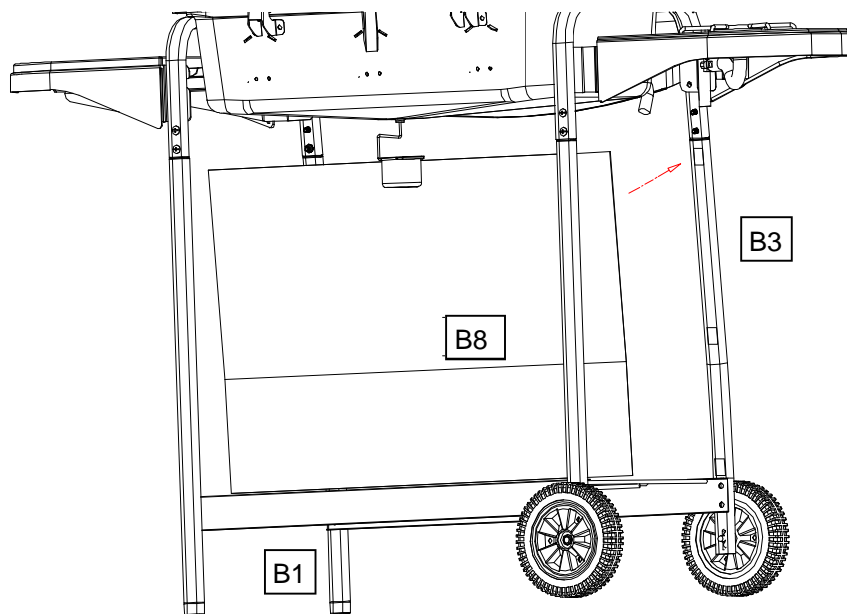


Fig 18

Attach the Front Canvas (B8) to the Left Front Leg (B3) and Right Front Leg (B1) and secure the position with the velcro on the canvas edge as Fig 18.

19

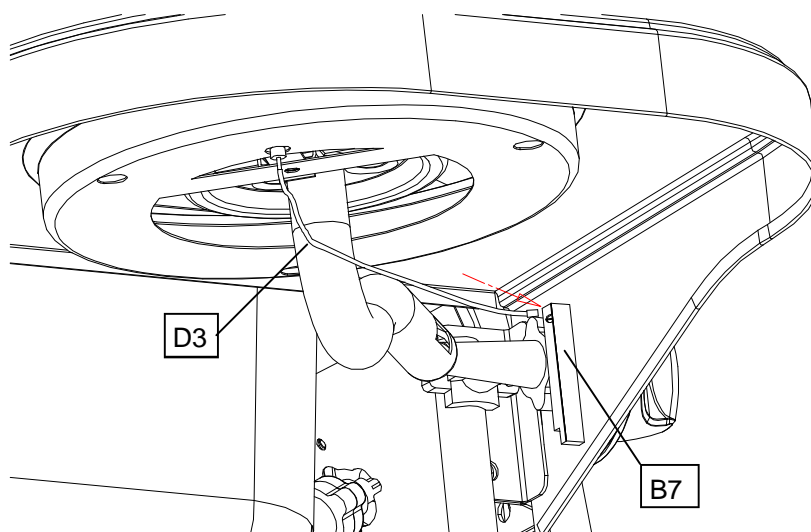


Fig 19

Connect the Side Burner Electrode (D3) to the side burner valve of the Control Panel Assembly (B7) as Fig 19.

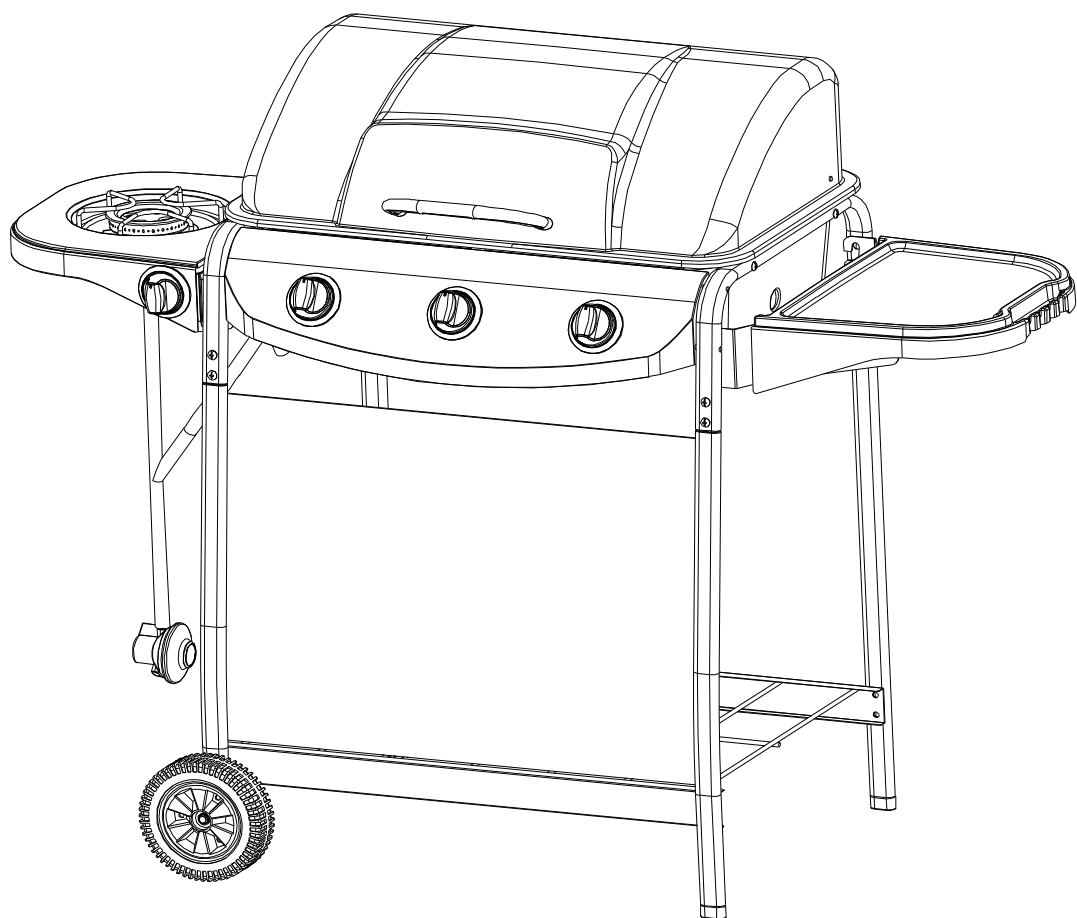


Fig 20

Complete the assembly as Fig 20.

D. Important Information

Please read these instructions carefully before assembly and use.

- Retain these instructions for future reference.
- For outdoors use only – do not use indoors. Do not use below ground level.
- For use with LPG bottled gas only. A regulator of 37mbar must be used for propane.
- Do not use within 1m of any flammable structure or surface.
- LP gas cylinders should not be placed directly underneath the barbecue.
- LP gas cylinders must not be stored or used in the horizontal position. A leak would be very serious and liquid could enter the gas line.
- When igniting barbecue open its hood before lighting.
- Do not move the barbecue while alight.
- This barbecue must not be left unattended when lit.
- The hood handle can become very hot. Grip only the centre of the handle. Use of a cooking glove is advised.
- Use caution when opening the hood, as hot steam inside is released upon opening.
- Parts of this barbecue become very hot – care must be taken when children, elderly people, and animals are present.
- Always turn off the gas bottle when the barbecue is not in use.
- Never cover a barbecue until it has completely cooled.
- Never use the barbecue with the side shelf in the down position.
- Leak test annually, and whenever the gas bottle is removed or replaced.
- Do not store flammable materials near this barbecue.
- Do not use aerosols near this barbecue.
- Failure to follow the manual's instructions could result in serious injury or damage.
- If you have any queries regarding these instructions, contact your local dealer.

E. Gas and Regulator

This barbecue can use only propane LPG bottled gas. Propane bottles will supply gas all year round, even on cold winter days. A spanner may be required to change gas bottles. The bottle should never be stood on the trolley base and placed directly under the barbecue. Gas bottles should never be stored or used laid on their side. Never store gas bottles indoors.

YOU MUST HAVE THE PROPER REGULATOR AND BOTTLE IN ORDER FOR THE BARBECUE TO OPERATE SAFELY AND EFFICIENTLY. USE OF AN INCORRECT OR FAULTY REGULATOR IS DANGEROUS AND WILL INVALIDATE ANY WARRANTY. Please consult your local gas dealer for the most suitable gas bottles.

F. Installation

F1. Selecting a Location

This barbecue is for outdoor use only and should be placed in a well-ventilated area. Take care to ensure that it is not placed UNDER any combustible surface. The sides of the barbecue should NEVER be closer than 1 metre from any combustible surface. Keep this barbecue away from any flammable materials!

F2. Precautions

Do not obstruct any ventilation openings in the barbecue body. Secure the gas bottle on the cylinder holder and always tighten it with the black strap provided. Should you need to change the gas bottle, confirm that the barbecue is switched off, and that there are no sources of ignition (cigarettes, open flame, sparks, etc.) near before proceeding. Inspect the gas hose to ensure it is free of any twisting or tension. The hose should hang freely with no bends, folds, or kinks that could obstruct free flow of gas. Apart from the connection point, no part of the hose should touch any hot barbecue parts. Always inspect the hose for cuts, cracks, or excessive wear before use. If the hose is damaged, it must be replaced with hose suitable for use with LPG and meet the national standards for the country of use. The length of the hose shall not exceed 1.5m. *N.B.-The date on U.K. hose is the date of manufacture, not the expiry date.*

F3. Fixing the Regulator to the Gas Bottle

Confirm all barbecue control knobs are in the off position. Connect the regulator to the gas bottle according to your regulator and bottle dealer's instructions.

F4. Leak Testing (To be performed in a well-ventilated area.)

Confirm all control knobs are in the off position. Open the gas control valve on the bottle or regulator. Check for leaks by brushing a solution of ½ water and ½ soap over all gas system joints, including all valve connections, hose connections and regulator connections. NEVER USE AN OPEN FLAME to test for leaks at anytime. If bubbles form over any of the joints, there is a leak. Turn off the gas supply and retighten all joints. Repeat test. If bubbles form again, do not use the barbecue. Please contact your local dealer for assistance. Leak test your barbecue annually. Check the hose connections are tight and leak test them each time you reconnect the gas bottle.

G. Operation

G1. Warning

- Before proceeding, make certain that you understand the **IMPORTANT INFORMATION** section of this manual.

G2. Preparation Before Cooking

To prevent foods from sticking to the cooking grill, please use a long handled brush to apply a light coat of cooking or vegetable oil before each barbecuing session. **(Note: When cooking for the first time, paint colours may change slightly as a result. This is normal and should be expected.)**

G3. Lighting the Main Burner

- Open the barbecue hood.
- Ensure all knobs are in the off position. Open the gas control valve on the gas bottle or regulator.
- From the "OFF" position, push in and turn middle control knob anti-clockwise until you feel resistance pause 4 seconds. Then continue turning the control knob until a click is heard and the burner is lit. Then push in and turn left knob and right knob.
- If the burner fails to ignite after above procedure, turn all the knobs to the off position and close the gas valve on the gas bottle. Wait 5 minutes and then repeat the above steps. If the barbecue still fails to light, please refer to the manual ignition instruction in the section below.
- After ignition, the burner should be burned at the high position for 3-5 minutes in order to preheat the barbecue. This process should be done before every cooking session. The hood (where applicable) should be open during preheating.
- After completion of preheating, the burner should normally be turned down to a lower position for best cooking results.

G4. Manual Ignition Instruction for Main Burner

- Insert lit match through the match-lighting hole at the right side of the barbecue body.
- Push in and turn the control knob anti-clockwise to the max position, the leftmost burner should ignite.
- After the leftmost burner is lit, push and turn the second left control knob to max position, the second burner should ignite automatically.
- Repeat same procedure to light the third and rightmost burner.
- If burner fails to ignite, contact your local dealer for assistance.
- After ignition, the burner should be burned at the max position for 3-5 minutes in order to preheat the barbecue. This process should be done before every cooking session. The hood (where applicable) should be open during preheating.
- After completion of preheating, the burner should normally be turned down to a lower position for

best cooking results.

G5. Lighting the Side Burner

- Keep side burner free.
- Set the control knob to off and turn on the gas supply.
- Push in and turn the control knob anti-clockwise until you feel resistance pause 4 seconds. Then continue turning the control knob until a click is heard and the burner is lit.
- If the burner fails to ignite after above procedure, turn the knob to the off position and close the gas valve. Wait 5 minutes and then repeat the above steps. If the barbecue still fails to light, please refer to the manual ignition instruction in the section below.

G6. Manual Ignition Instruction for Side Burner

- Set the control knob to the off position.
- Apply a lit match on the gap to burner ports.
- Push in and turn the control knob anti-clockwise to max position and the burner should ignite.
- If burner fails to ignite, contact your local dealer for assistance.

G7. Roasting Hood Cooking

Barbecues equipped with a roasting hood give the option of cooking with hood closed to form an 'oven' for roasting food, such as joints of meat, whole chickens, etc.

When roasting, turn the burner under the food to the OFF position. Close the hood and turn the other burner down to a lower setting i.e. low to medium to achieve the temperature required. **DO NOT ALLOW YOUR BARBECUE TO OVERHEAT.** Avoid lifting the hood unnecessarily as heat is lost each time the hood is opened.

G8. End of Cooking Session

After each cooking session, turn the barbecue burner to the "max" position and burn for 5 minutes. This procedure will burn off cooking residue, thus making cleaning easier. Make sure the hood is open during this process.

G9. Turning Off Your Barbecue

When you have finished using your barbecue, turn all the control valves fully clockwise to the "Off" position, then switch off the gas at the bottle. Wait until the barbecue is sufficiently cool before closing its hood.

H. CARE AND MAINTENANCE

Regularly clean your barbecue between uses and especially after extended periods of storage. Ensure the barbecue and its components are sufficiently cool

before cleaning. Do not leave the barbecue exposed to outside weather conditions or stored in damp, moist areas.

- Never douse the barbecue with water when its surfaces are hot.
- Never handle hot parts with unprotected hands.

H1. Cooking Grill

Clean with hot soapy water. To remove any food residue, use a mild cream cleaner on a non-abrasive pad. Rinse well and dry thoroughly.

H2. Burner Maintenance

Your burner has been preset for optimal flame performance. You will normally see a blue flame, possibly with a small yellow tip when the burner is alight. If the flame pattern is significantly yellow, this could be a problem caused by grease from cooking blocking the burner or spiders or other insects in the burner venturi. This can result in the flow of the gas and air mixture being restricted or blocked which may result in a fire behind the control panel causing serious damage to your barbecue. **If this happens, the gas should be immediately turned off at the bottle.** Burners should be inspected and cleaned on a regular basis in addition to the following conditions:

- 1) Bringing the barbecue out of storage.
- 2) One or more of the burners do not ignite.
- 3) The burner flame pattern is significantly yellow.
- 4) The gas ignites behind the control panel.

To clean a burner, remove it from the barbecue. The outside of the burner can be cleaned with a wire brush. Clean the portholes with a pipe cleaner or piece of wire. Take care not to enlarge the portholes. Clean the insect screen on the end of the venturi tube with a bristle brush (i.e. an old toothbrush). Clean the venturi tube with a pipe cleaner or piece of wire. You may need a torch to see into the venturi tube to make sure it is clear. "Turn the burner up on end and lightly tap against a piece of wood to dislodge any debris from inside."

H3. Barbecue Body

Regularly remove excess grease or fat from the barbecue body with a soft plastic or wooden scraper. It is not necessary to remove all the grease from the body. If you need to clean fully, use hot soapy water and a cloth, or nylon-bristled brush only. Remove cooking surfaces and burners before full cleaning. Do not immerse the gas controls or manifold in water. Check burner operation after carefully refitting into body.

H4. Fixings

All screws and bolts, etc. should be checked and tightened on a regular basis.

H5. Storage

Store your barbecue in a cool dry place. It must be

inspected on a regular basis as damp or condensation can form which may result in damage to the barbecue. It may be necessary to dry the barbecue and the inside of the cover if used. Mould can grow under these conditions and should be cleaned and treated if required. Any rust that is found that does not come into contact with the food should be treated with a rust inhibitor and painted with barbecue paint or a heat resistant paint. Chrome plated warming racks and grills should be coated with cooking oil. Wrap the burners in aluminium foil to help prevent insects or other debris from obstructing the burners.

The gas bottle must be always be disconnected from the barbecue and stored in a well ventilated area at least 1 metre away from any fixed ignition source. Do not store inside residential accommodation. Never store cylinders below ground level (e.g. cellars). Do not let children tamper with bottles.

I. Technical Specifications

Model Number	KS10013
Gas Category	I3P (37)
Type of Gas	Propane
Gas Pressure	37 mbar
Pin Number	359/BU/1016
Injector Size (Main Burner)	0.84mm
Injector Size (Side Burner)	0.74mm
Total Heat Input	11.0 kW
3 Burner Heat Input	8.7 kW
Side Burner Heat Input	2.3 kW
Gas Consumption	785 g/h
Country of Destination	GB and IE

This barbecue grill is manufactured by:

Donguang Kingsun Enterprises Co. Ltd.

Address: Xicheng Area 2, Shiyong Village, Hengli Town, Dongguan City, Guangdong Province, China

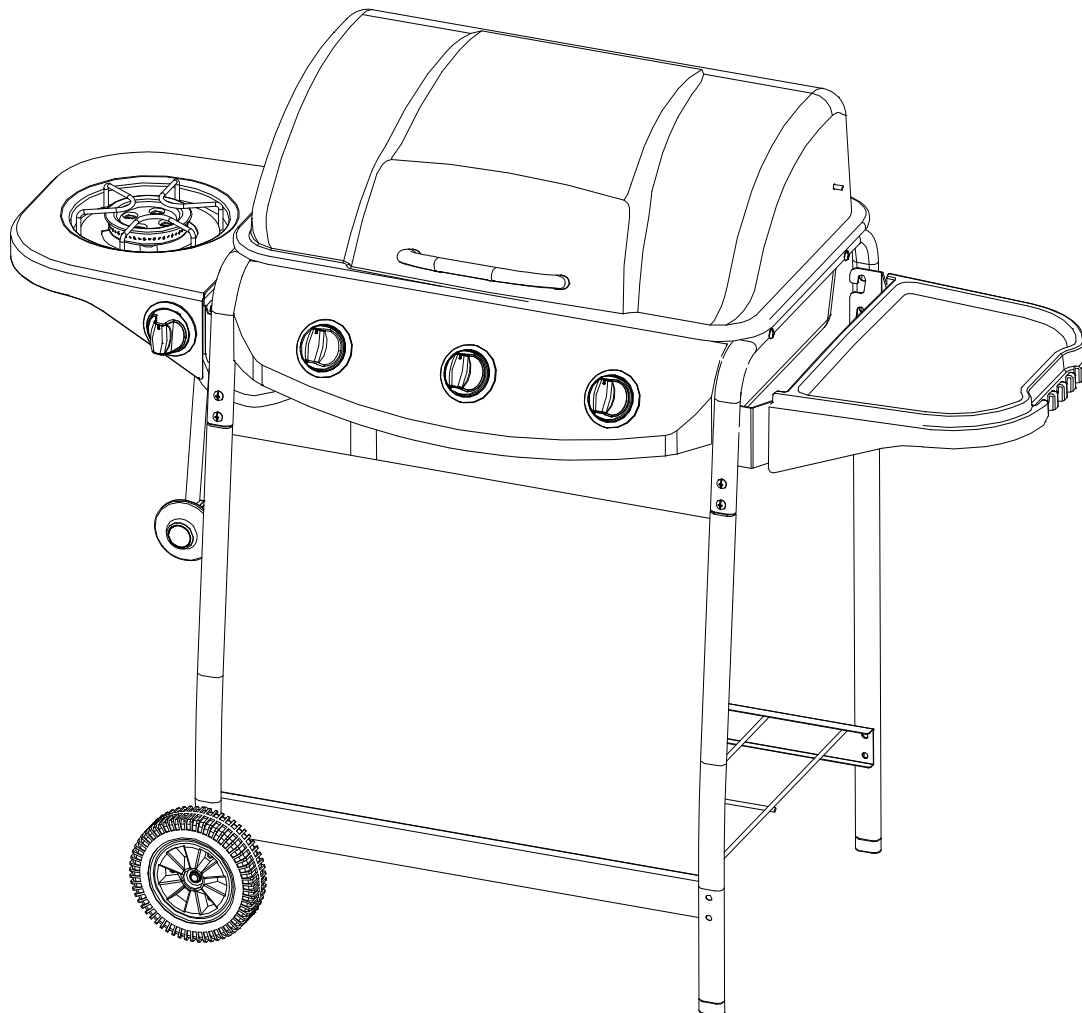
L. Troubleshooting

Problem	Possible Cause	Solution
Burner will not light using the ignition system	LP gas cylinder is empty	Replace with full cylinder
	Faulty regulator	Have regulator checked or replace
	Obstructions in burner	Clean burner
	Obstructions in gas jets or gas hose	Clean jets and gas hose
	Electrode wire is loose or disconnected on electrode or ignition unit.	Reconnect wire
	Electrode or wire is damaged	Change electrode and wire
Faulty pushbutton ignitor	Change ignitor	
Burner will not light with a match	LP gas cylinder is empty	Replace with full cylinder
	Faulty regulator	Have regulator checked or replace
	Obstructions in burner	Clean burner
	Obstructions in gas jets or gas hose	Clean jets and gas hose
Low flame or flashback (fire in burner tube— a hissing or roaring noise may be heard)	LP gas cylinder too small	Use larger cylinder.
	Obstructions in burner	Clean burner
	Obstructions in gas jets or gas hose	Clean jets and gas hose
	Windy conditions.	Use BBQ in a more sheltered position
Gas valve knob difficult to turn	Gas valve jammed	Replace gas valve

3 Burner Gas BBQ with side burner

Assembly Instructions - Please keep for future reference

345/0925



Dimensions

Width - 125cm
Depth - 55.5cm
Height - 97cm

Important - Please read this instructions fully before starting assembly

If you need help or have damaged or missing parts, call the **Customer Helpline: 08456 400800.**

Safety and Care Advice

Important - Please read this instructions fully before starting assembly

- Assembly time: approx. 45 mins.
- Retain these instructions for future reference.
- For outdoors use only – do not use indoors. Do not use below ground level and confined spaces.
- For use with LPG bottled gas only. A regulator of 37mbar must be used for propane.
- Do not use within 1m of any flammable structure or surface.
- LP gas cylinders should not be placed directly underneath the barbecue.
- LP gas cylinders must not be stored or used in the horizontal position. A leak would be very serious and liquid could enter the gas line.
- When igniting barbecue open its hood before lighting.
- Do not move the barbecue while alight.
- This barbecue must not be left unattended when lit.
- The hood handle can become very hot. Grip only the centre of the handle. Use of a cooking glove is advised.
- Use caution when opening the hood, as hot steam inside is released upon opening.
- Parts of this barbecue become very hot – care must be taken when children, elderly people, and animals are present.
- Always turn off the gas bottle when the barbecue is not in use.
- Never cover a barbecue until it has completely cooled.
- Never use the barbecue with the side shelf in the down position.
- Leak test annually, and whenever the gas bottle is removed or replaced.
- Do not store flammable materials near this barbecue.
- Do not use aerosols near this barbecue.
- Failure to follow the manual's instructions could result in serious injury or damage.
- If you have any queries regarding these instructions, contact your local dealer.

Gas and Regulator

This barbecue can use only propane LPG bottled gas. Propane bottles will supply gas all year round, even on cold winter days. A spanner may be required to change gas bottles. The bottle should never be stood on the trolley base and placed directly under the barbecue. Gas bottles should never be stored or used laid on their side. Never store gas bottles indoors.

YOU MUST HAVE THE PROPER REGULATOR AND BOTTLE IN ORDER FOR THE BARBECUE TO OPERATE SAFELY AND EFFICIENTLY. USE OF AN INCORRECT OR FAULTY REGULATOR IS DANGEROUS AND WILL INVALIDATE ANY WARRANTY. Please consult your local gas dealer for the most suitable gas bottles.

Installation

Selecting a Location

This barbecue is for outdoor use only and should be placed in a well-ventilated area. Take care to ensure that it is not placed UNDER any combustible surface. The sides of the barbecue should NEVER be closer than 1 metre from any combustible surface. Keep this barbecue away from any flammable materials!

Precautions

Do not obstruct any ventilation openings in the barbecue body. Should you need to change the gas bottle, confirm that the barbecue is switched off, and that there are no sources of ignition (cigarettes, open flame, sparks, etc.) near before proceeding. Inspect the gas hose to ensure it is free of any twisting

Safety and Care Advice

or tension. The hose should hang freely with no bends, folds, or kinks that could obstruct free flow of gas. Apart from the connection point, no part of the hose should touch any hot barbecue parts. Always inspect the hose for cuts, cracks, or excessive wear before use. If the hose is damaged, it must be replaced with hose suitable for use with LPG and meet the national standards for the country of use. The length of the hose shall not exceed 1.5m. *N.B.-The date on U.K. hose is the date of manufacture, not the expiry date.*

Fixing the Regulator to the Gas Bottle

Confirm all barbecue control knobs are in the off position. Connect the regulator to the gas bottle according to your regulator and bottle dealer's instructions.

Leak Testing (To be performed in a well-ventilated area.)

Confirm all control knobs are in the off position. Open the gas control valve on the bottle or regulator. Check for leaks by brushing a solution of ½ water and ½ soap over all gas system joints, including all valve connections, hose connections and regulator connections. NEVER USE AN OPEN FLAME to test for leaks at anytime. If bubbles form over any of the joints, there is a leak. Turn off the gas supply and retighten all joints. Repeat test. If bubbles form again, do not use the barbecue. Please contact your local dealer for assistance. Leak test your barbecue annually. Check the hose connections are tight and leak test them each time you reconnect the gas bottles.

Operation

Warning

Before proceeding, make certain that you understand the **IMPORTANT INFORMATION** section of this manual.

Preparation Before Cooking

To prevent foods from sticking to the cooking grill, please use a long handled brush to apply a light coat of cooking or vegetable oil before each barbecuing session. **(Note: When cooking for the first time, paint colours may change slightly as a result. This is normal and should be expected.)**

Lighting the Main Burner

- Open the barbecue hood.
- Ensure all knobs are in the off position. Open the gas control valve on the gas bottle or regulator.
- From the "OFF" position, push in and turn middle control knob anti-clockwise until you feel resistance pause 4 seconds. Then continue turning the control knob until a click is heard and the burner is lit. Then push in and turn left knob and right knob.
- If the burner fails to ignite after above procedure, turn all the knobs to the off position and close the gas valve on the gas bottle. Wait 5 minutes and then repeat the above steps. If the barbecue still fails to light, please refer to the manual ignition instruction in the section below.
- After ignition, the burner should be burned at the high position for 3-5 minutes in order to preheat the barbecue. This process should be done before every cooking session. The hood (where applicable) should be open during preheating.
- After completion of preheating, the burner should normally be turned down to a lower position for best cooking results.

Safety and Care Advice

Manual Ignition Instruction for Main Burner

- Insert lit match through the match-lighting hole at the side or bottom of the barbecue body.
- Push in and turn the control knob anti-clockwise to the max position, the middle burner should ignite.
- After the middle burner is lit, push and turn the leftmost control knob to max position, the second burner should ignite automatically.
- Repeat same procedure to light the rightmost burner.
- If burner fails to ignite, contact your local dealer for assistance.
- After ignition, the burner should be burned at the max position for 3-5 minutes in order to preheat the barbecue. This process should be done before every cooking session. The hood (where applicable) should be open during preheating.
- After completion of preheating, the burner should normally be turned down to a lower position for best cooking results.

Lighting the Side Burner

- Keep side burner free.
- Set the control knob to off and turn on the gas supply.
- Push in and turn the control knob anti-clockwise to max position.
- Push the ignition button several times and the burner should ignite.
- If the burner fails to ignite after above procedure, turn the knob to the off position and close the gas valve. Wait 5 minutes and then repeat the above steps. If the barbecue still fails to light, please refer to the manual ignition instruction in the section below.

Manual Ignition Instruction for Side Burner

- Set the control knob to the off position.
- Apply a lit match on the gap to burner ports.
- Push and turn the control knob anti-clockwise to max position and the burner should ignite. If the burner fails to ignite, contact your local dealer for assistance.

Roasting Hood Cooking

Barbecues equipped with a roasting hood give the option of cooking with hood closed to form an 'oven' for roasting food, such as joints of meat, whole chickens, etc.

When roasting, turn the burner under the food to the OFF position. Close the hood and turn the other burner down to a lower setting i.e. low to medium to achieve the temperature required. **DO NOT ALLOW YOUR BARBECUE TO OVERHEAT.** Avoid lifting the hood unnecessarily as heat is lost each time the hood is opened.

End of Cooking Session

After each cooking session, turn the barbecue burner to the "max" position and burn for 5 minutes. This procedure will burn off cooking residue, thus making cleaning easier. Make sure the hood is open during this process.

Turning Off Your Barbecue

When you have finished using your barbecue, turn all the control valves fully clockwise to the "Off" position, then switch off the gas at the bottle. Wait until the barbecue is sufficiently cool before closing its hood.

Safety and Care Advice

Care and Maintenance

Regularly clean your barbecue between uses and especially after extended periods of storage. Ensure the barbecue and its components are sufficiently cool before cleaning. Do not leave the barbecue exposed to outside weather conditions or stored in damp, moist areas.

- Never douse the barbecue with water when its surfaces are hot.
- Never handle hot parts with unprotected hands.

Cooking Grill

Clean with hot soapy water. To remove any food residue, use a mild cream cleaner on a bristle brush. Rinse well and dry thoroughly.

Burner Maintenance

Your burner has been preset for optimal flame performance. You will normally see a blue flame, possibly with a small yellow tip when the burner is alight. If the flame pattern is significantly yellow, this could be a problem caused by grease from cooking blocking the burner or spiders or other insects in the burner venturi. This can result in the flow of the gas and air mixture being restricted or blocked which may result in a fire behind the control panel causing serious damage to your barbecue. **If this happens, the gas should be immediately turned off at the bottle.** Burners should be inspected and cleaned on a regular basis in addition to the following conditions:

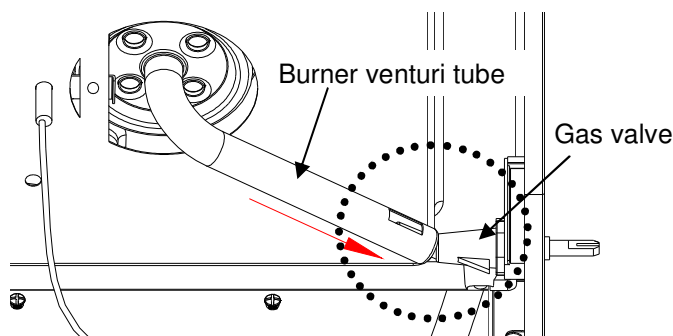
- 1) Bringing the barbecue out of storage.
- 2) One or more of the burners do not ignite.
- 3) The burner flame pattern is significantly yellow.
- 4) The gas ignites behind the control panel.

To clean a burner, remove it from the barbecue. The outside of the burner can be cleaned with a wire brush. Clean the portholes with a pipe cleaner or piece of wire. Take care not to enlarge the portholes. Clean the insect screen on the end of the venturi tube with a bristle brush (i.e. an old toothbrush). Clean the venturi tube with a pipe cleaner or piece of wire. You may need a torch to see into the venturi tube to make sure it is clear. "Turn the burner up on end and lightly tap against a piece of wood to dislodge any debris from inside."

Barbecue Body

Regularly remove excess grease or fat from the barbecue body with a soft plastic or wooden scraper. It is not necessary to remove all the grease from the body. If you need to clean fully, use hot soapy water and a cloth, or nylon-bristled brush only. Remove cooking surfaces and burners before full cleaning. Do not immerse the gas controls or manifold in water. Check burner operation after carefully refitting into body.

Whenever a barbecue is being assembled for the first time or its burners are being cleaned, make sure each gas valve tip goes into the burner venturi tube completely during the assemble or re-assemble process.



Safety and Care Advice

Fixings

All screws and bolts, etc. should be checked and tightened on a regular basis.

Storage

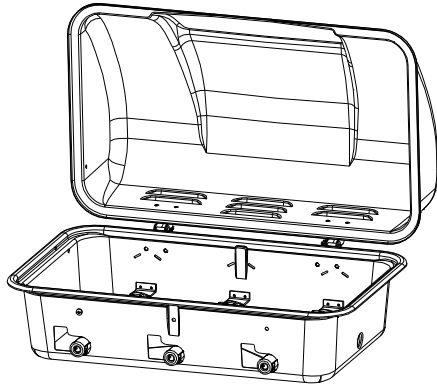
Store your barbecue in a cool dry place. It must be inspected on a regular basis as damp or condensation can form which may result in damage to the barbecue. It may be necessary to dry the barbecue and the inside of the cover if used. Mould can grow under these conditions and should be cleaned and treated if required. Any rust that is found that does not come into contact with the food should be treated with a rust inhibitor and painted with barbecue paint or a heat resistant paint. Warming racks and grills should be coated with cooking oil. Wrap the burners in aluminium foil to help prevent insects or other debris from obstructing the burners. The gas bottle must be always be disconnected from the barbecue and stored in a well ventilated area at least 1 metre away from any fixed ignition source. Do not store inside residential accommodation. Never store cylinders below ground level (e.g. cellars). Do not let children tamper with bottles.

Note: if required the next page can be cut out and used as reference throughout the assembly. Keep this page with these instructions for future reference.

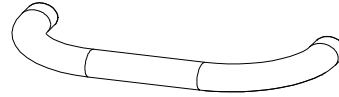
Components - Parts

If you have damaged or missing components, call the **Customer Helpline: 08456 400800.**

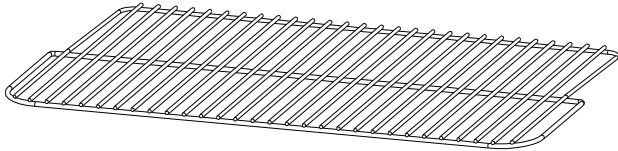
Please check you have all the panels listed below



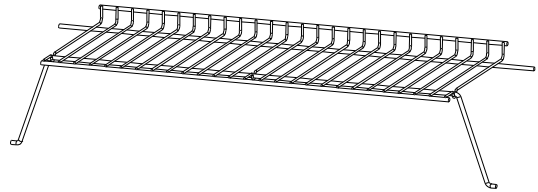
1 Grill assembly x1



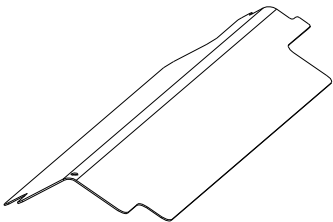
2 Lid handle x1



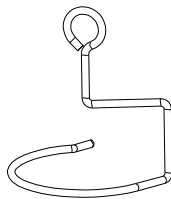
3 Cooking grill x1



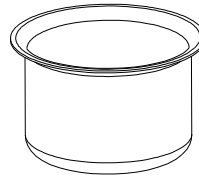
4 Warming rack x1



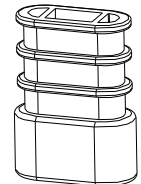
5 Heat tent x3



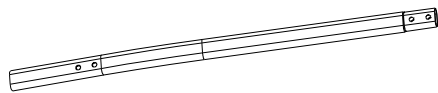
6 Grease cup hanger x 1



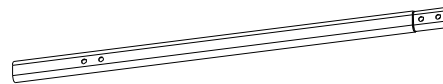
7 Grease cup x1



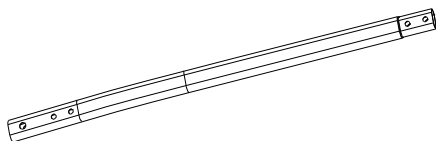
8 Leg cap x2



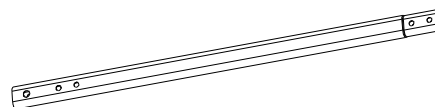
9 Right front leg x 1



10 Right rear leg x1



11 Left front leg x 1

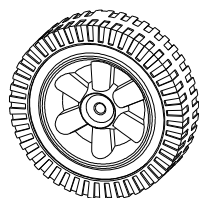


12 Left rear leg x1

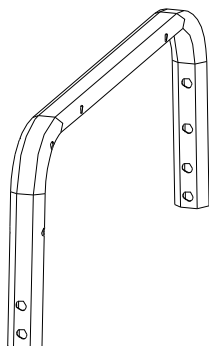


Components - Parts

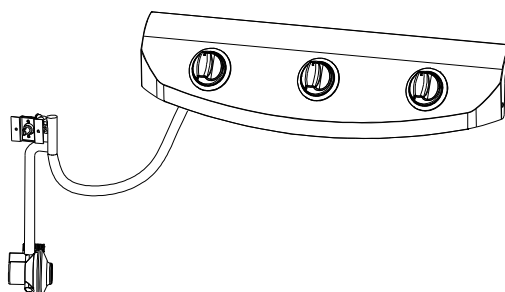
Please check you have all the panels listed below



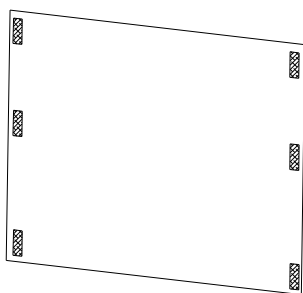
13 Wheel x 2



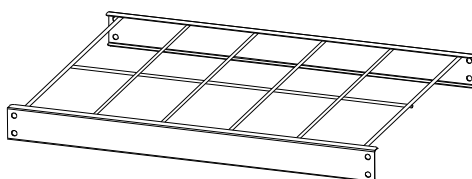
14 upper support x 2



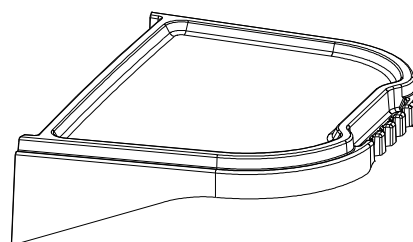
15 Control panel assembly x 1



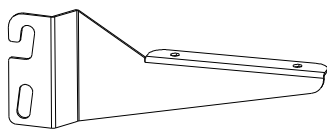
16 Front canvas x1



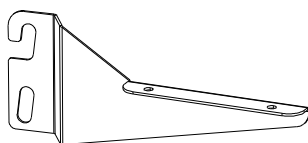
17 Bottom shelf x1



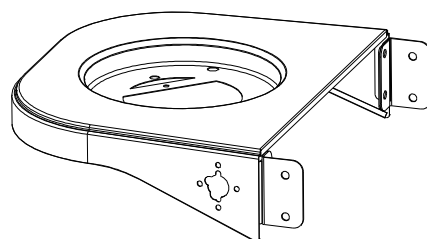
18 Side table x1



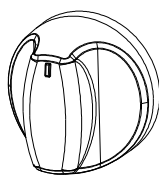
19 Side table front support x1



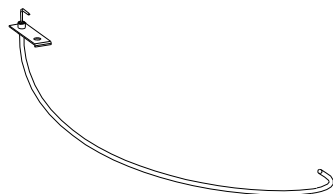
20 Side table rear support x1



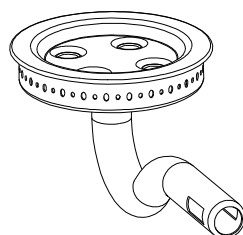
21 Side burner assembly x1



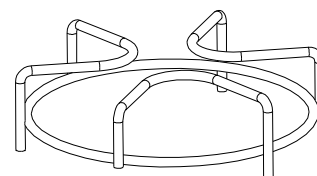
22 Side burner knob x 1



23 Side burner electrode x 1



24 Side burner x 1

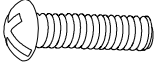
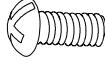

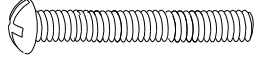
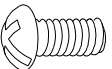

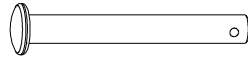
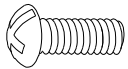
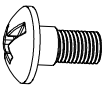
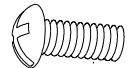

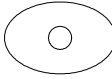


25 Side burner grate x 1

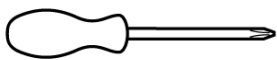
Components - Fittings

Please check you have all the panels listed below

Note: The quantities below are the correct amount to complete the assembly.

<p>A</p>  <p>25mm Bolt x 11</p>	<p>B</p>  <p>10mm Bolt x 8</p>	<p>C</p>  <p>M6 nut x 15</p>	<p>D</p>  <p>40mm Bolt x 8</p>
<p>E</p>  <p>10mm Bolt x 2</p>	<p>F</p>  <p>R-pin x 2</p>	<p>G</p>  <p>Axle x 2</p>	<p>H</p>  <p>15mm Bolt x 4</p>
<p>I</p>  <p>15mm Shoulder bolt x 4</p>	<p>J</p>  <p>8mm Bolt x 3</p>	<p>K</p>  <p>10mm Screw x 4</p>	<p>L</p>  <p>Washer x 2</p>

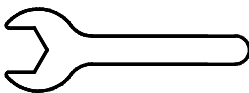
Tool required



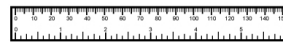
Philips screwdriver



Small hammer

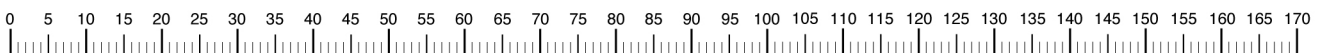


Wrench
(Do not provided in this product)



Ruler/ tape measure

Ruler - Use this ruler to help correctly identify the screws

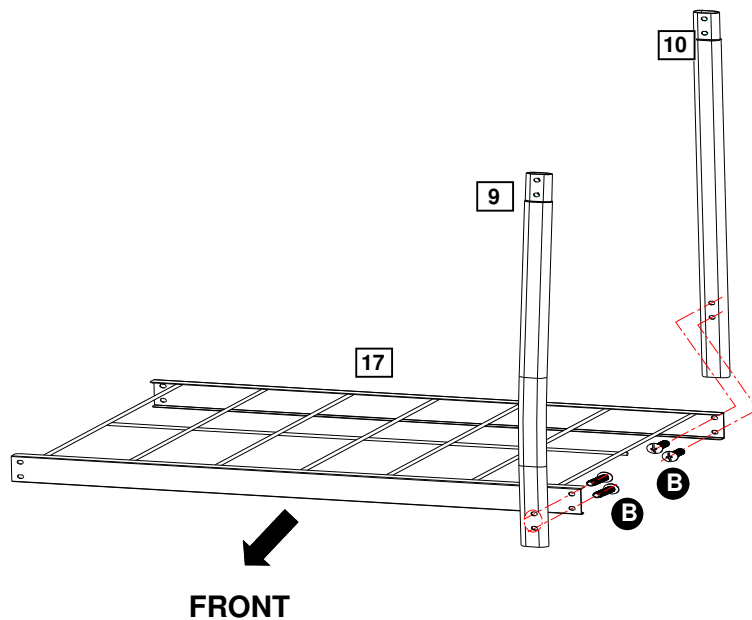


Assembly Instructions

Step 1

Put the right front leg **9** and right rear leg **10** on the bottom shelf **17** using 10mm bolts **B**.

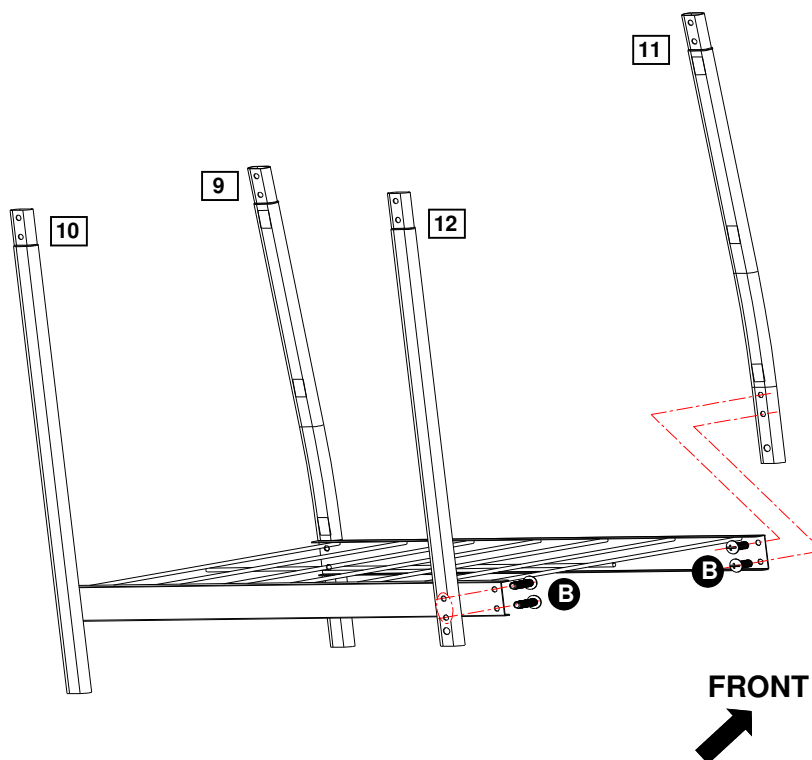
Fix the bolts tightly by the screwdriver.



Step 2

Put the left front leg **11** and left rear leg **12** on the bottom shelf **17** using 10mm bolts **B**.

Fix the bolts tightly by the screwdriver.

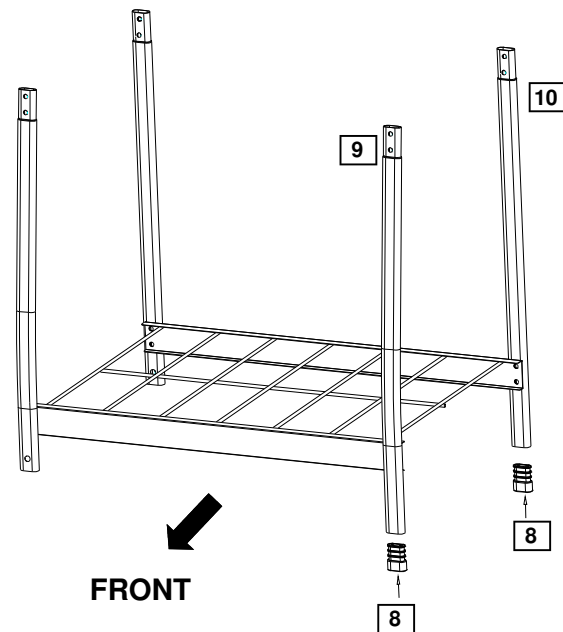


Assembly Instructions

Step 3

Fix the leg caps **8** to the right front leg **9** and right rear leg **10**.

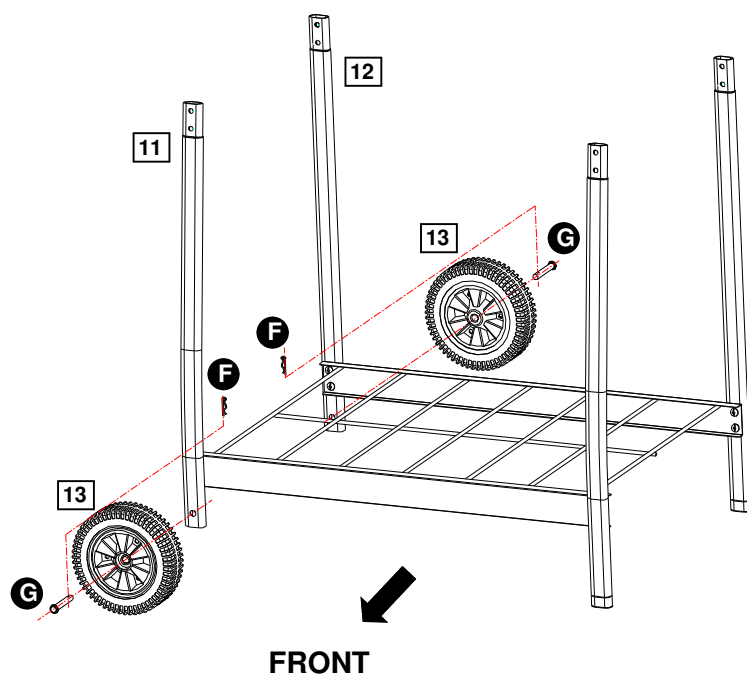
Hammer the leg caps **8** slightly to make it fix on the legs.



Step 4

Insert the wheels **13** to the left front leg **11** and the left rear leg **12** using the axles **G**.

Then fix the axles **G** by R-pin **F**.



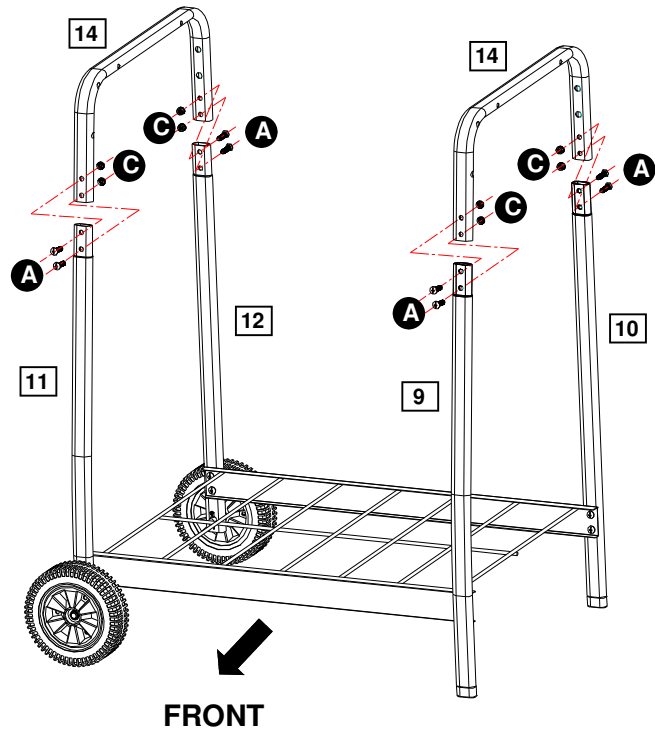
Assembly Instructions

Step 5

Connect the upper support **14** with the left front leg **11** and left rear leg **12** using 25mm bolts **A** and M6 nuts **C**.

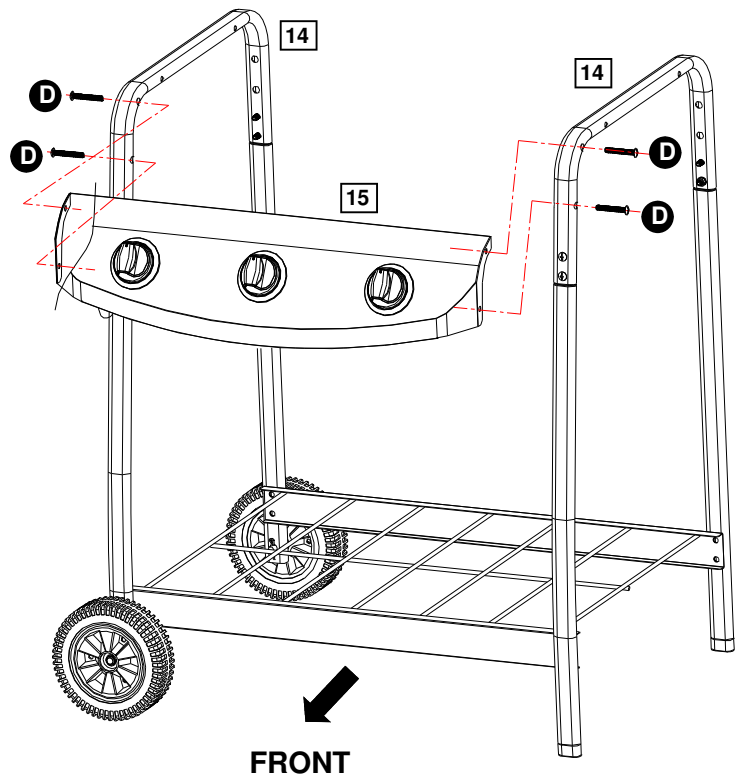
Repeat the same connection of the upper support **14** with the right front leg **9** and right rear leg **10** using 25mm bolts **B** and M6 nuts **C**.

Fix the bolts tightly by the screwdriver.



Step 6

Fix the control panel assembly **15** on the upper supports **14** using 40mm bolts **D**.

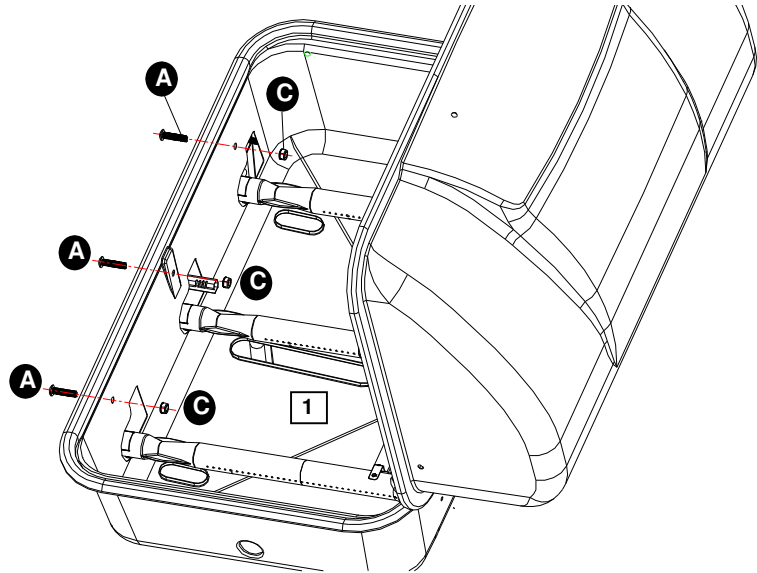


Assembly Instructions

Step 7

a: Fix the burners of the grill assembly **1** using 25mm bolts **A** and M6 nuts **C**.

a:

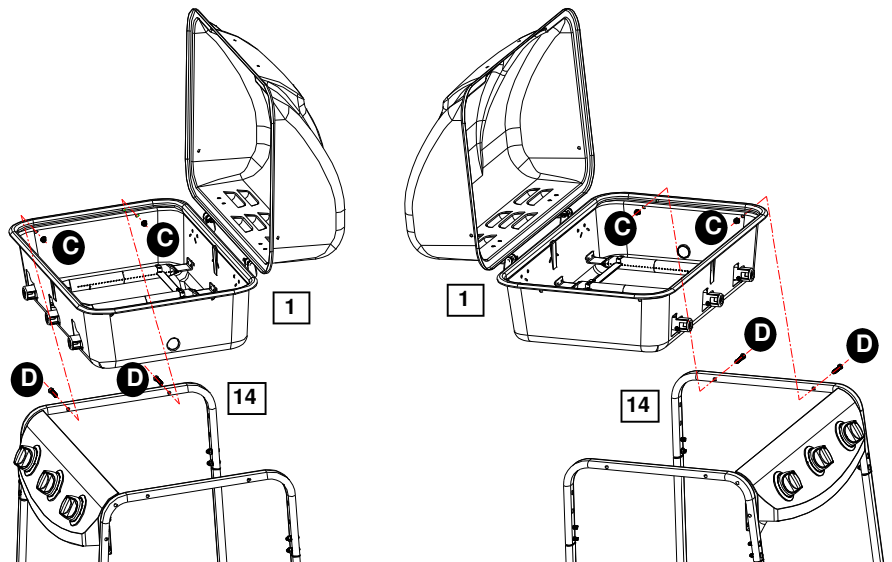


b: Set the grill assembly **1** on the upper supports **14** and fix it by 40mm bolts **D** and M6 nuts **C**.

(Do not tighten the bolts at this stage.)

Align all valves on the control panel assembly **15** against each venturi of the burner.

b:



Important:

Make sure the valve tip goes into the venturi tube completely with good alignment.

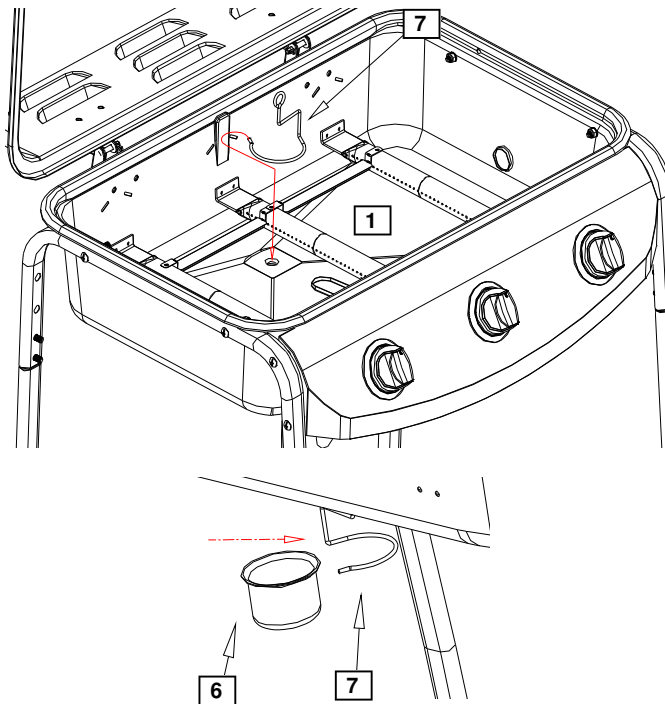
Fix all the bolts and tighten them by the screwdriver.

Assembly Instructions

Step 8

Put the grease cup hanger **6** through the hole of the grill assembly **1**.

Hang the grease cup **7** on the grease cup hanger **6**.

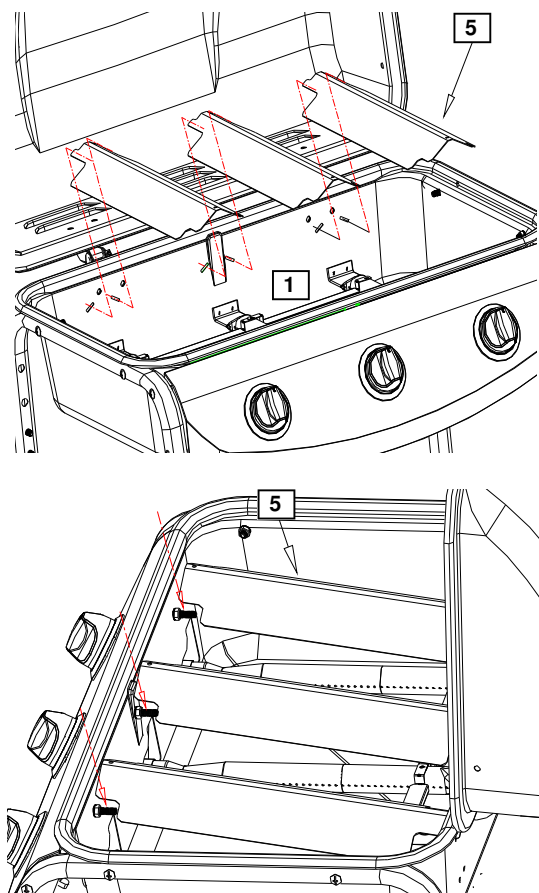


Step 9

Place the heat tent **5** on top of each burner of the grill assembly **1**.

Align the heat tent **5** with tabs on its end against slots on the firebowl back.

Rest the heat tent **5** on the pre-assembled bolts fixed on step 7a.



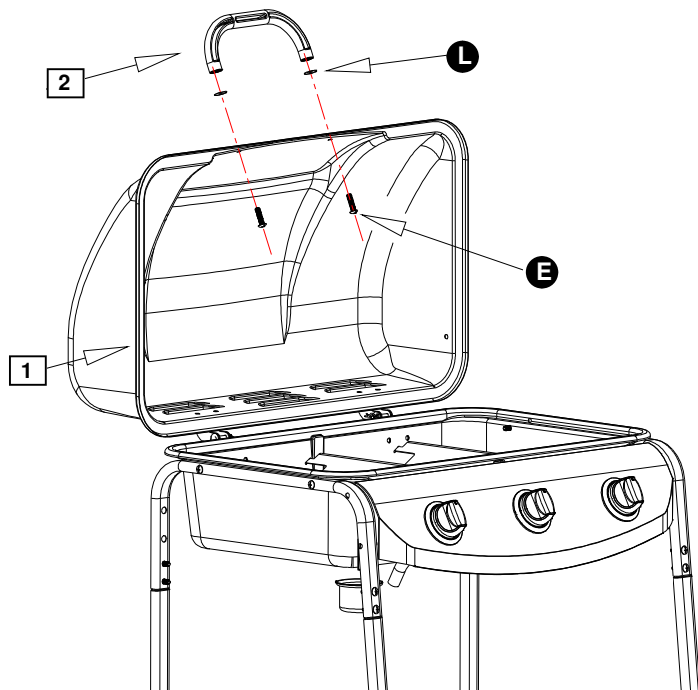
Assembly Instructions

Step 10

Put the washers **L** between the lid handle **2** and the lid of the grill assembly **1**.

Align the holes and fix the lid handle **2** on the lid of the grill assembly **1** using 10mm bolts **E**.

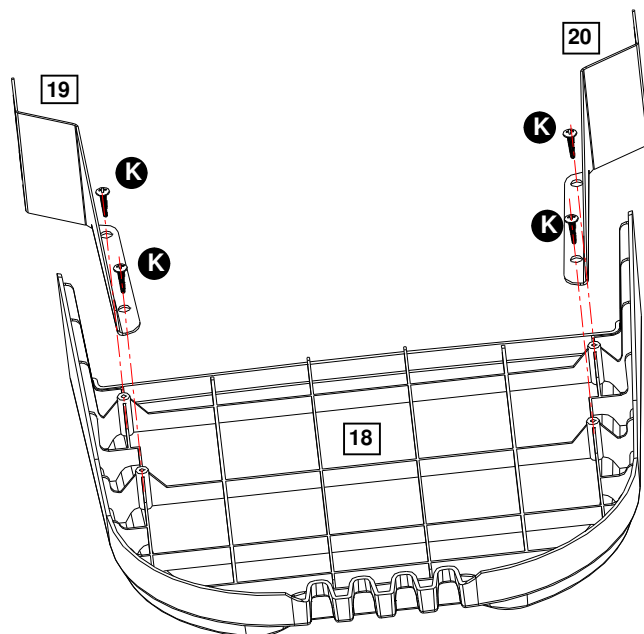
Fix the bolts tightly by the screwdriver.



Step 11

Assemble the side table front support **19** and the side table rear support **20** to the side table **18**.

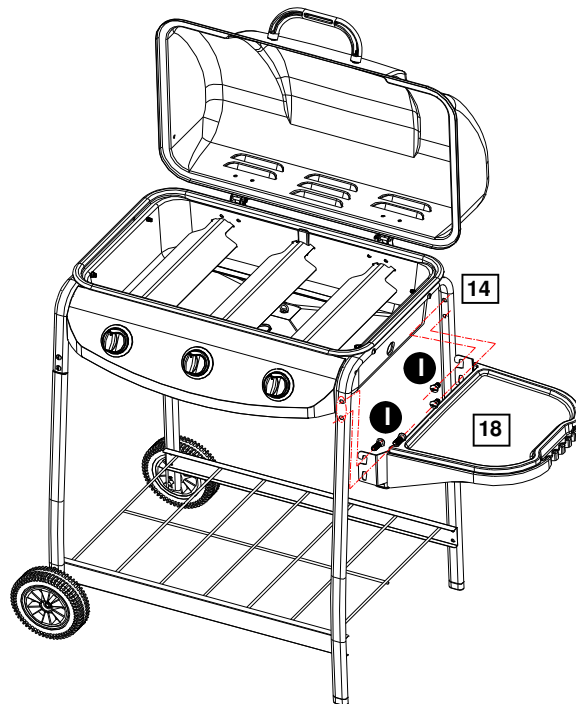
Secure the supports with 10mm screws **K**.



Assembly Instructions

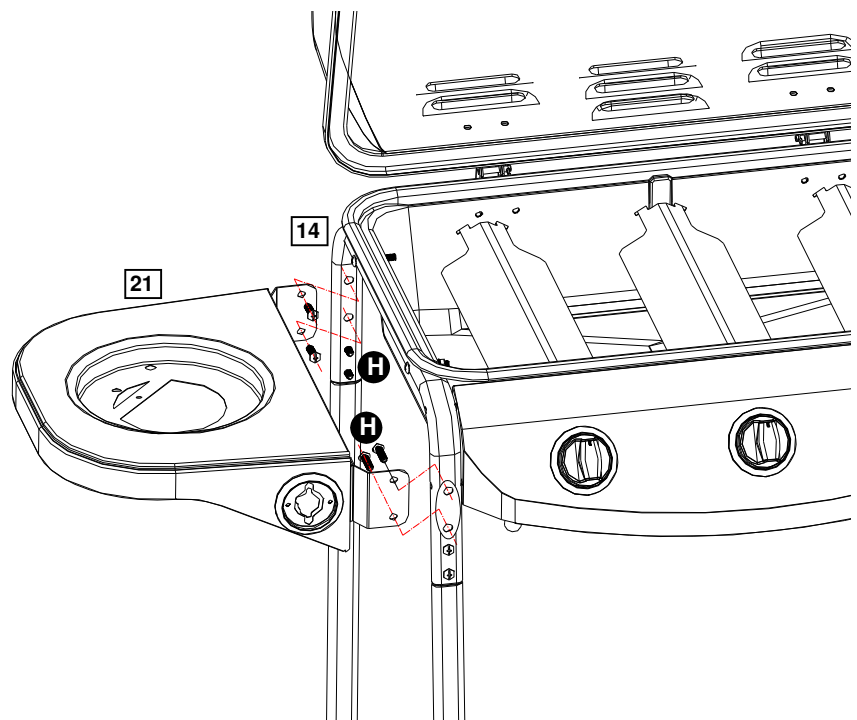
Step 12

Install the side table assembly made in step 11 to the upper support **14** by 15mm shoulder bolts **I**.



Step 13

Install the side burner assembly **21** to the upper support **14** using 15mm bolts **H**.

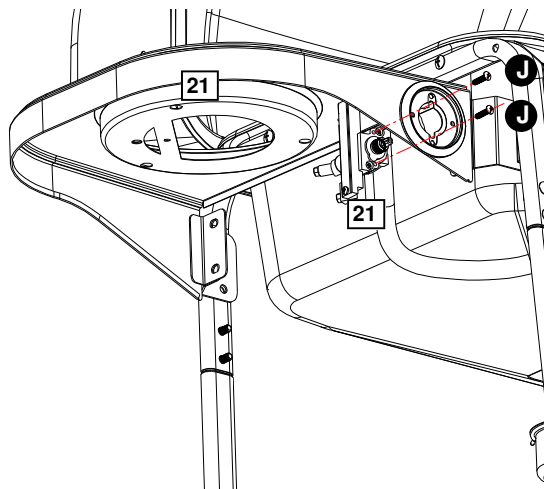


Assembly Instructions

Step 14

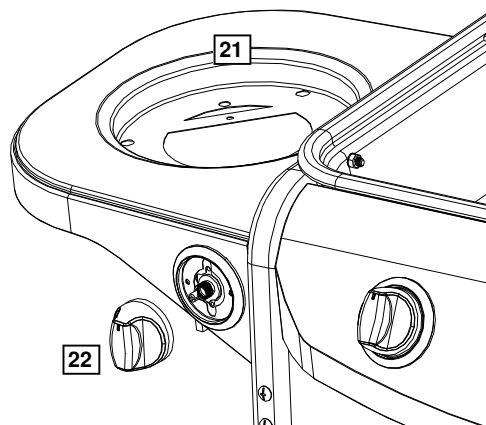
a: Fix the side burner valve on the side burner panel of the side burner assembly using 8mm bolts **J**.

a:



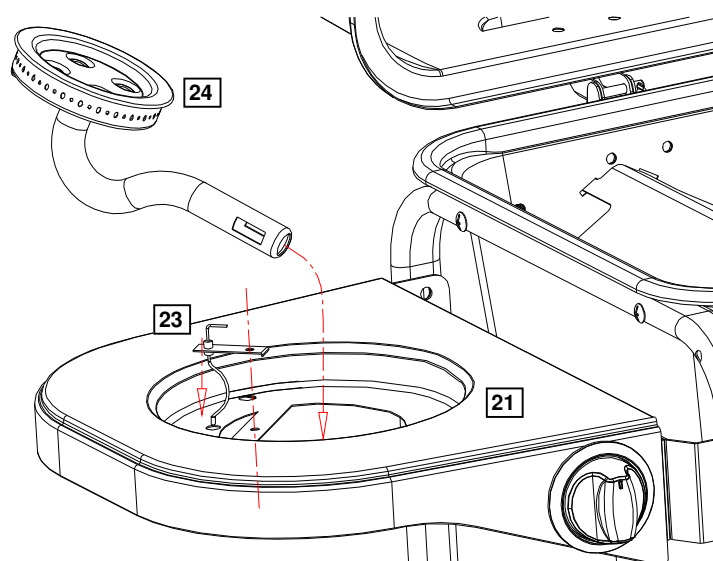
b: Put the side burner knob **22** on the side burner assembly **21**.

b:



c: Put the side burner **24** and the side burner electrode **23** through the hole of side burner assembly **21**.

c:



Assembly Instructions

Step 14

d: Align the venturi of the side burner **24** against the valve.



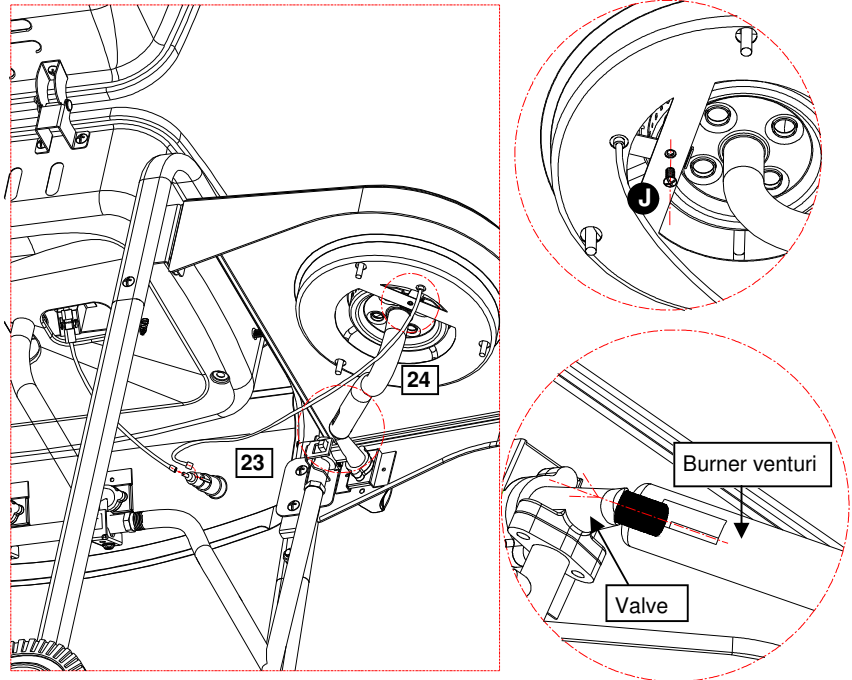
Important:

Make sure the valve tip goes into the venturi tube completely with good alignment.

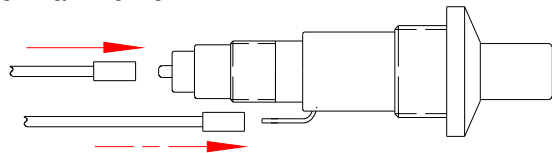
Then tighten the side burner on the side burner assembly using 8mm bolt **J**.

Connect the electrode of the main burner and the side burner electrode **23** to the electrode end of ignitor on the control panel assembly **15**.

d:



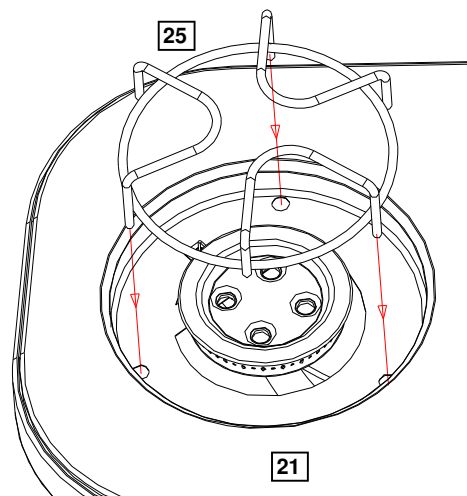
Electrode of Main Burner



Electrode of Side Burner

e: Put the side burner grate **25** on the side burner assembly **21** and align with 3 holes.

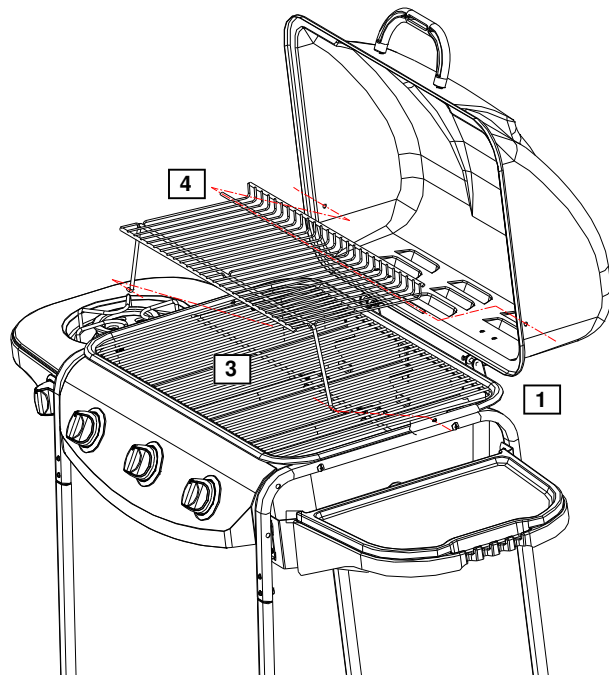
e:



Assembly Instructions

Step 15

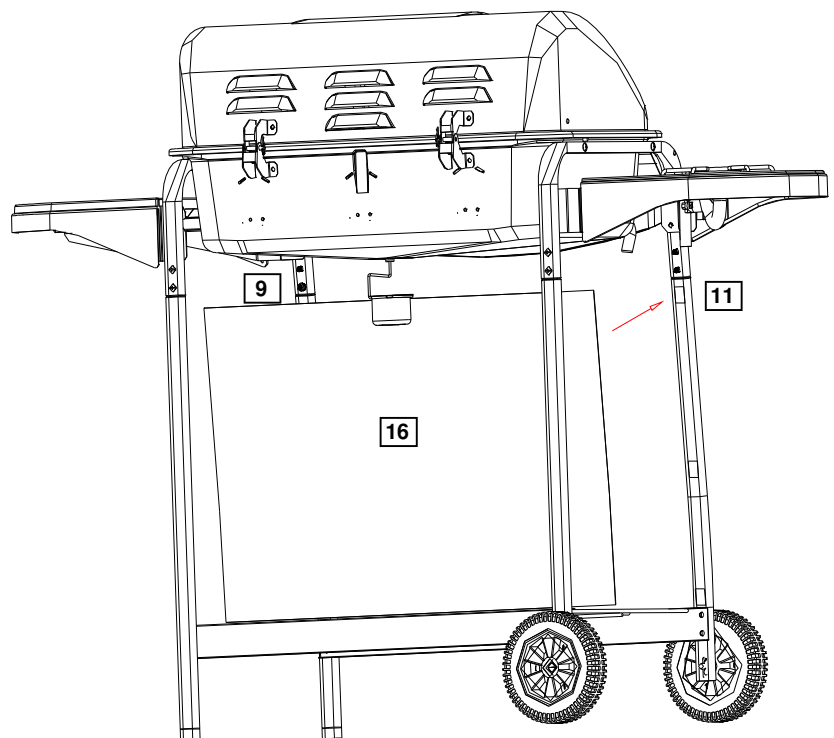
Put the cooking grill **3** and the warming rack **4** on the grill assembly **1**.



Step 16

Attach the front canvas **16** to the left front leg **11** and right front leg **9**.

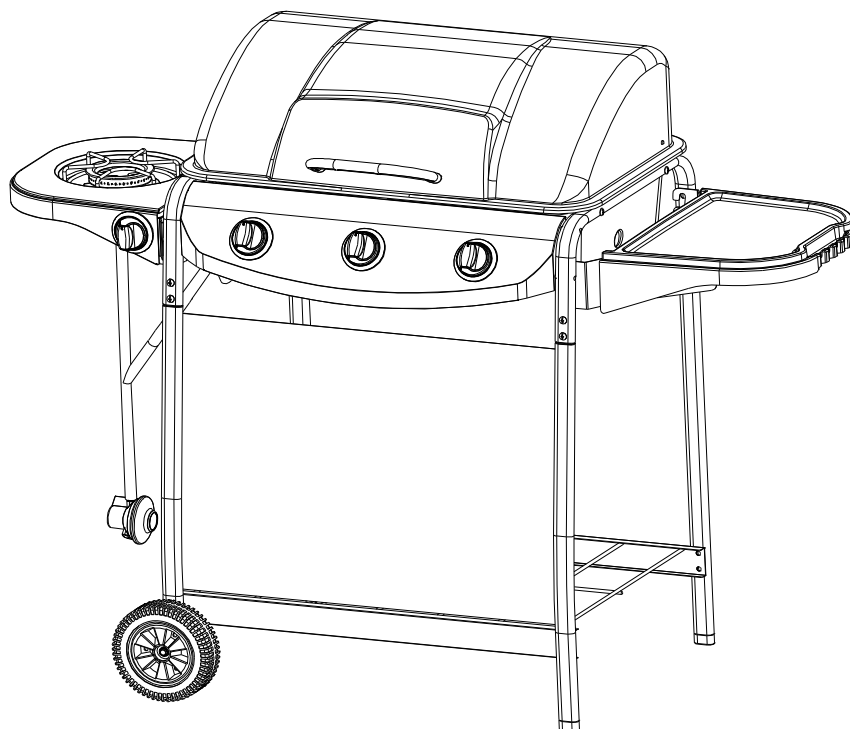
Secure the position with the velcro on canvas edge.



Assembly Instructions

Step 17

Assembly is complete.



If you need help or have damaged or missing parts, call the **Customer Helpline: 08456 400800.**

Technical Specification

Model Number	KS10013
Gas Category	I3P (37)
Type of Gas	Propane
Gas Pressure	37 mbar
Pin Number	359/BU/1015
Injector Size (Main Burner)	0.84mm
Injector Size (Side Burner)	0.74mm
Total Heat Input	11.0 kW
3 Burner Heat Input	8.7 kW
Side Burner Heat Input	2.3 kW
Gas Consumption	785 g/h
Country of Destination	GB and IE

Do not use this barbecue outside England and Ireland.

This barbecue grill is imported by:

Home Retail Group
Avebury, 489-499 Avebury Boulevard
Saxon Gate West, Central Milton Keynes, MK9 2NW

Troubleshooting

<i>Problem</i>	<i>Possible Cause</i>	<i>Solution</i>
<i>Burner will not light using the ignition system</i>	LP gas cylinder is empty	Replace with full cylinder
	Faulty regulator	Have regulator checked or replace
	Obstructions in burner	Clean burner
	Obstructions in gas jets or gas hose	Clean jets and gas hose
	Electrode wire is loose or disconnected on electrode or ignition unit.	Reconnect wire
	Electrode or wire is damaged	Change electrode and wire
	Faulty push button ignitor	Change ignitor
<i>Burner will not light with a match</i>	LP gas cylinder is empty	Replace with full cylinder
	Faulty regulator	Have regulator checked or replace
	Obstructions in burner	Clean burner
	Obstructions in gas jets or gas hose	Clean jets and gas hose
<i>Low flame or flashback (fire in burner tube— a hissing or roaring noise may be heard)</i>	LP gas cylinder too small	Use larger cylinder.
	Obstructions in burner	Clean burner
	Obstructions in gas jets or gas hose	Clean jets and gas hose
	Windy conditions.	Use BBQ in a more sheltered position
<i>Gas valve knob difficult to turn</i>	Gas valve jammed	Replace gas valve

3 Burner Gas BBQ with side burner

Assembly Instructions - Please keep for future reference

345/0925



Dimensions

Width - 125cm

Depth - 55.5cm

Height - 97cm

Important - Please read this instructions fully before starting assembly

If you need help or have damaged or missing parts, call the **Customer Helpline: 08456 400800.**

Safety and Care Advice

Important - Please read this instructions fully before starting assembly

- Assembly time: approx. 45 mins.
- Retain these instructions for future reference.
- For outdoors use only – do not use indoors. Do not use below ground level and confined spaces.
- For use with LPG bottled gas only. A regulator of 37mbar must be used for propane.
- Do not use within 1m of any flammable structure or surface.
- LP gas cylinders should not be placed directly underneath the barbecue.
- LP gas cylinders must not be stored or used in the horizontal position. A leak would be very serious and liquid could enter the gas line.
- When igniting barbecue open its hood before lighting.
- Do not move the barbecue while alight.
- This barbecue must not be left unattended when lit.
- The hood handle can become very hot. Grip only the centre of the handle. Use of a cooking glove is advised.
- Use caution when opening the hood, as hot steam inside is released upon opening.
- Parts of this barbecue become very hot – care must be taken when children, elderly people, and animals are present.
- Always turn off the gas bottle when the barbecue is not in use.
- Never cover a barbecue until it has completely cooled.
- Never use the barbecue with the side shelf in the down position.
- Leak test annually, and whenever the gas bottle is removed or replaced.
- Do not store flammable materials near this barbecue.
- Do not use aerosols near this barbecue.
- Failure to follow the manual's instructions could result in serious injury or damage.
- If you have any queries regarding these instructions, contact your local dealer.

Gas and Regulator

This barbecue can use only propane LPG bottled gas. Propane bottles will supply gas all year round, even on cold winter days. A spanner may be required to change gas bottles. The bottle should never be stood on the trolley base and placed directly under the barbecue. Gas bottles should never be stored or used laid on their side. Never store gas bottles indoors.

YOU MUST HAVE THE PROPER REGULATOR AND BOTTLE IN ORDER FOR THE BARBECUE TO OPERATE SAFELY AND EFFICIENTLY. USE OF AN INCORRECT OR FAULTY REGULATOR IS DANGEROUS AND WILL INVALIDATE ANY WARRANTY. Please consult your local gas dealer for the most suitable gas bottles.

Installation

Selecting a Location

This barbecue is for outdoor use only and should be placed in a well-ventilated area. Take care to ensure that it is not placed UNDER any combustible surface. The sides of the barbecue should NEVER be closer than 1 metre from any combustible surface. Keep this barbecue away from any flammable materials!

Precautions

Do not obstruct any ventilation openings in the barbecue body. Should you need to change the gas bottle, confirm that the barbecue is switched off, and that there are no sources of ignition (cigarettes, open flame, sparks, etc.) near before proceeding. Inspect the gas hose to ensure it is free of any twisting

Safety and Care Advice

or tension. The hose should hang freely with no bends, folds, or kinks that could obstruct free flow of gas. Apart from the connection point, no part of the hose should touch any hot barbecue parts. Always inspect the hose for cuts, cracks, or excessive wear before use. If the hose is damaged, it must be replaced with hose suitable for use with LPG and meet the national standards for the country of use. The length of the hose shall not exceed 1.5m. *N.B.-The date on U.K. hose is the date of manufacture, not the expiry date.*

Fixing the Regulator to the Gas Bottle

Confirm all barbecue control knobs are in the off position. Connect the regulator to the gas bottle according to your regulator and bottle dealer's instructions.

Leak Testing (To be performed in a well-ventilated area.)

Confirm all control knobs are in the off position. Open the gas control valve on the bottle or regulator. Check for leaks by brushing a solution of ½ water and ½ soap over all gas system joints, including all valve connections, hose connections and regulator connections. NEVER USE AN OPEN FLAME to test for leaks at anytime. If bubbles form over any of the joints, there is a leak. Turn off the gas supply and retighten all joints. Repeat test. If bubbles form again, do not use the barbecue. Please contact your local dealer for assistance. Leak test your barbecue annually. Check the hose connections are tight and leak test them each time you reconnect the gas bottles.

Operation

Warning

Before proceeding, make certain that you understand the **IMPORTANT INFORMATION** section of this manual.

Preparation Before Cooking

To prevent foods from sticking to the cooking grill, please use a long handled brush to apply a light coat of cooking or vegetable oil before each barbecuing session. **(Note: When cooking for the first time, paint colours may change slightly as a result. This is normal and should be expected.)**

Lighting the Main Burner

- Open the barbecue hood.
- Ensure all knobs are in the off position. Open the gas control valve on the gas bottle or regulator.
- From the "OFF" position, push in and turn middle control knob anti-clockwise until you feel resistance pause 4 seconds. Then continue turning the control knob until a click is heard and the burner is lit. Then push in and turn left knob and right knob.
- If the burner fails to ignite after above procedure, turn all the knobs to the off position and close the gas valve on the gas bottle. Wait 5 minutes and then repeat the above steps. If the barbecue still fails to light, please refer to the manual ignition instruction in the section below.
- After ignition, the burner should be burned at the high position for 3-5 minutes in order to preheat the barbecue. This process should be done before every cooking session. The hood (where applicable) should be open during preheating.
- After completion of preheating, the burner should normally be turned down to a lower position for best cooking results.

Safety and Care Advice

Manual Ignition Instruction for Main Burner

- Insert lit match through the match-lighting hole at the side or bottom of the barbecue body.
- Push in and turn the control knob anti-clockwise to the max position, the middle burner should ignite.
- After the middle burner is lit, push and turn the leftmost control knob to max position, the second burner should ignite automatically.
- Repeat same procedure to light the rightmost burner.
- If burner fails to ignite, contact your local dealer for assistance.
- After ignition, the burner should be burned at the max position for 3-5 minutes in order to preheat the barbecue. This process should be done before every cooking session. The hood (where applicable) should be open during preheating.
- After completion of preheating, the burner should normally be turned down to a lower position for best cooking results.

Lighting the Side Burner

- Keep side burner free.
- Set the control knob to off and turn on the gas supply.
- Push in and turn the control knob anti-clockwise to max position.
- Push the ignition button several times and the burner should ignite.
- If the burner fails to ignite after above procedure, turn the knob to the off position and close the gas valve. Wait 5 minutes and then repeat the above steps. If the barbecue still fails to light, please refer to the manual ignition instruction in the section below.

Manual Ignition Instruction for Side Burner

- Set the control knob to the off position.
- Apply a lit match on the gap to burner ports.
- Push and turn the control knob anti-clockwise to max position and the burner should ignite. If the burner fails to ignite, contact your local dealer for assistance.

Roasting Hood Cooking

Barbecues equipped with a roasting hood give the option of cooking with hood closed to form an 'oven' for roasting food, such as joints of meat, whole chickens, etc.

When roasting, turn the burner under the food to the OFF position. Close the hood and turn the other burner down to a lower setting i.e. low to medium to achieve the temperature required. **DO NOT ALLOW YOUR BARBECUE TO OVERHEAT.** Avoid lifting the hood unnecessarily as heat is lost each time the hood is opened.

End of Cooking Session

After each cooking session, turn the barbecue burner to the "max" position and burn for 5 minutes. This procedure will burn off cooking residue, thus making cleaning easier. Make sure the hood is open during this process.

Turning Off Your Barbecue

When you have finished using your barbecue, turn all the control valves fully clockwise to the "Off" position, then switch off the gas at the bottle. Wait until the barbecue is sufficiently cool before closing its hood.

Safety and Care Advice

Care and Maintenance

Regularly clean your barbecue between uses and especially after extended periods of storage. Ensure the barbecue and its components are sufficiently cool before cleaning. Do not leave the barbecue exposed to outside weather conditions or stored in damp, moist areas.

- Never douse the barbecue with water when its surfaces are hot.
- Never handle hot parts with unprotected hands.

Cooking Grill

Clean with hot soapy water. To remove any food residue, use a mild cream cleaner on a bristle brush. Rinse well and dry thoroughly.

Burner Maintenance

Your burner has been preset for optimal flame performance. You will normally see a blue flame, possibly with a small yellow tip when the burner is alight. If the flame pattern is significantly yellow, this could be a problem caused by grease from cooking blocking the burner or spiders or other insects in the burner venturi. This can result in the flow of the gas and air mixture being restricted or blocked which may result in a fire behind the control panel causing serious damage to your barbecue. **If this happens, the gas should be immediately turned off at the bottle.** Burners should be inspected and cleaned on a regular basis in addition to the following conditions:

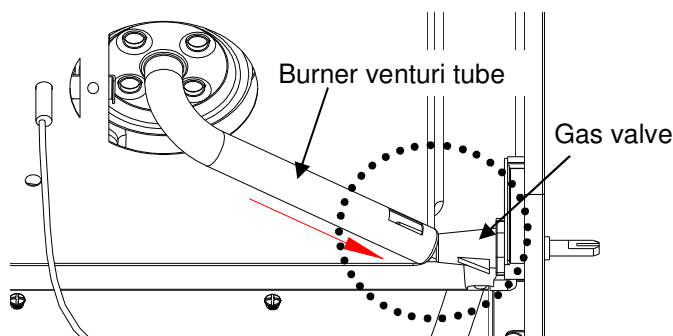
- 1) Bringing the barbecue out of storage.
- 2) One or more of the burners do not ignite.
- 3) The burner flame pattern is significantly yellow.
- 4) The gas ignites behind the control panel.

To clean a burner, remove it from the barbecue. The outside of the burner can be cleaned with a wire brush. Clean the portholes with a pipe cleaner or piece of wire. Take care not to enlarge the portholes. Clean the insect screen on the end of the venturi tube with a bristle brush (i.e. an old toothbrush). Clean the venturi tube with a pipe cleaner or piece of wire. You may need a torch to see into the venturi tube to make sure it is clear. "Turn the burner up on end and lightly tap against a piece of wood to dislodge any debris from inside."

Barbecue Body

Regularly remove excess grease or fat from the barbecue body with a soft plastic or wooden scraper. It is not necessary to remove all the grease from the body. If you need to clean fully, use hot soapy water and a cloth, or nylon-bristled brush only. Remove cooking surfaces and burners before full cleaning. Do not immerse the gas controls or manifold in water. Check burner operation after carefully refitting into body.

Whenever a barbecue is being assembled for the first time or its burners are being cleaned, make sure each gas valve tip goes into the burner venturi tube completely during the assemble or re-assemble process.



Safety and Care Advice


Fixings

All screws and bolts, etc. should be checked and tightened on a regular basis.

Storage

Store your barbecue in a cool dry place. It must be inspected on a regular basis as damp or condensation can form which may result in damage to the barbecue. It may be necessary to dry the barbecue and the inside of the cover if used. Mould can grow under these conditions and should be cleaned and treated if required. Any rust that is found that does not come into contact with the food should be treated with a rust inhibitor and painted with barbecue paint or a heat resistant paint. Warming racks and grills should be coated with cooking oil. Wrap the burners in aluminium foil to help prevent insects or other debris from obstructing the burners. The gas bottle must be always be disconnected from the barbecue and stored in a well ventilated area at least 1 metre away from any fixed ignition source. Do not store inside residential accommodation. Never store cylinders below ground level (e.g. cellars). Do not let children tamper with bottles.

Carbon Monoxide Hazard

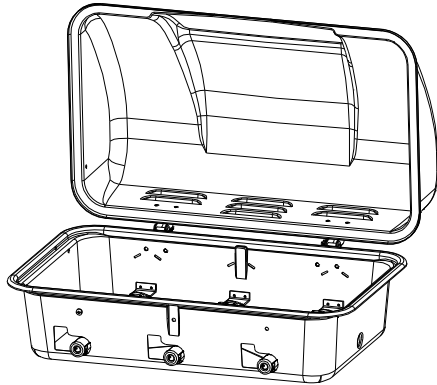
	<p>CARBON MONOXIDE HAZARD</p> <p>Danger of carbon monoxide poisoning - NEVER light this product or let it smoulder or cool down in confined spaces.</p>
--	--

Note: if required the next page can be cut out and used as reference throughout the assembly. Keep this page with these instructions for future reference.

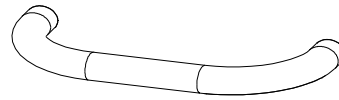
Components - Parts

If you have damaged or missing components, call the **Customer Helpline: 08456 400800.**

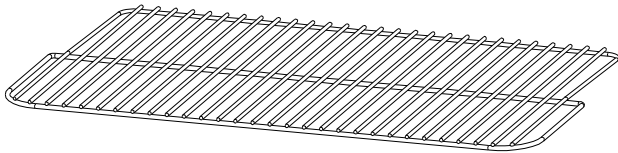
Please check you have all the panels listed below



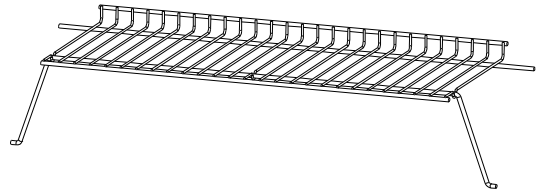
1 Grill assembly x1



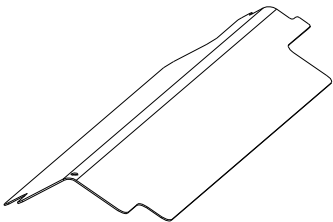
2 Lid handle x1



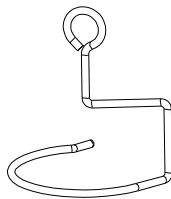
3 Cooking grill x1



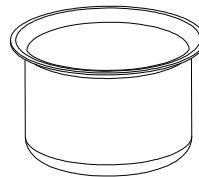
4 Warming rack x1



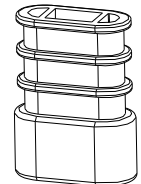
5 Heat tent x3



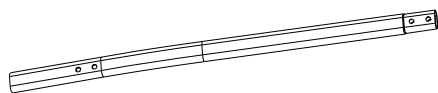
6 Grease cup hanger x 1



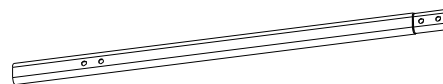
7 Grease cup x1



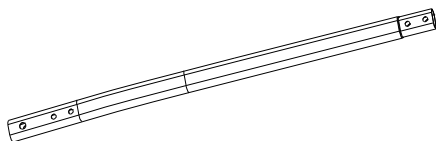
8 Leg cap x2



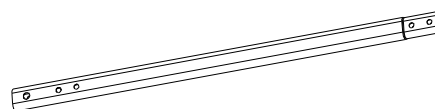
9 Right front leg x 1



10 Right rear leg x1



11 Left front leg x 1

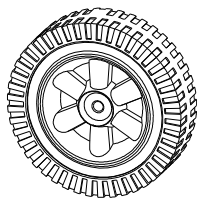


12 Left rear leg x1

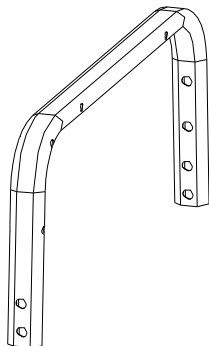


Components - Parts

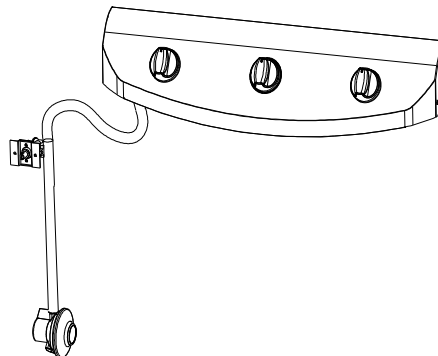
Please check you have all the panels listed below



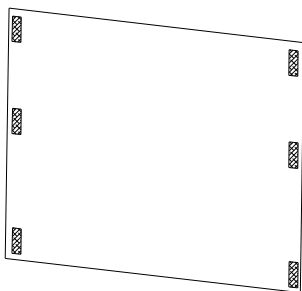
13 Wheel x 2



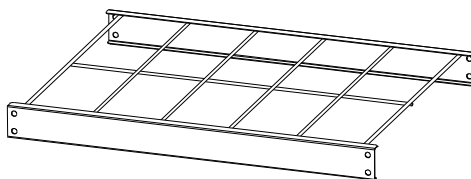
14 upper support x 2



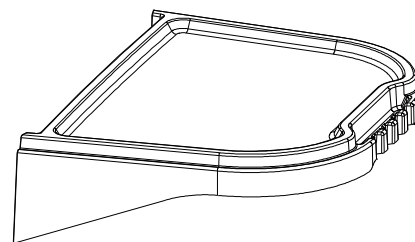
15 Control panel assembly x 1



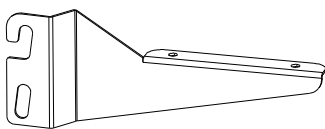
16 Front canvas x1



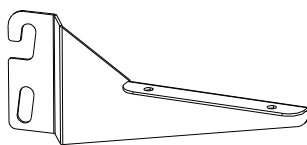
17 Bottom shelf x1



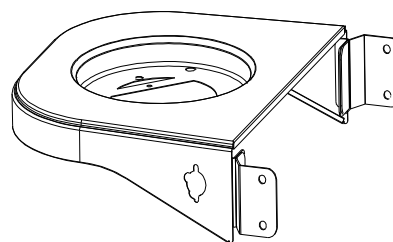
18 Side table x1



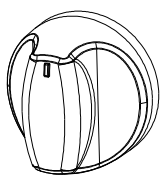
19 Side table front support x1



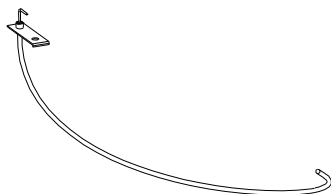
20 Side table rear support x1



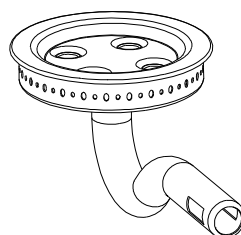
21 Side burner assembly x1



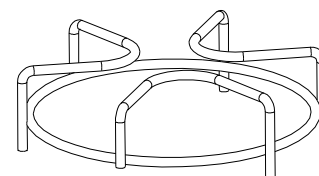
22 Side burner knob x 1



23 Side burner electrode x 1



24 Side burner x 1

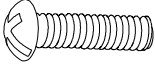
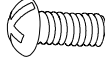

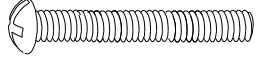
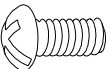

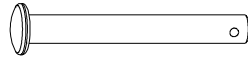
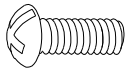
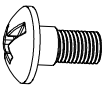
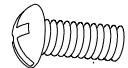

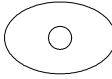


25 Side burner grate x 1

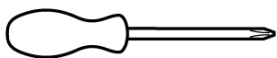
Components - Fittings

Please check you have all the panels listed below

Note: The quantities below are the correct amount to complete the assembly.

<p>A</p>  <p>25mm Bolt x 11</p>	<p>B</p>  <p>10mm Bolt x 8</p>	<p>C</p>  <p>M6 nut x 15</p>	<p>D</p>  <p>40mm Bolt x 8</p>
<p>E</p>  <p>10mm Bolt x 2</p>	<p>F</p>  <p>R-pin x 2</p>	<p>G</p>  <p>Axle x 2</p>	<p>H</p>  <p>15mm Bolt x 4</p>
<p>I</p>  <p>15mm Shoulder bolt x 4</p>	<p>J</p>  <p>8mm Bolt x 3</p>	<p>K</p>  <p>10mm Screw x 4</p>	<p>L</p>  <p>Washer x 2</p>

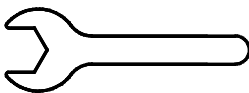
Tool required



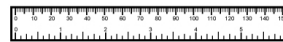
Philips screwdriver



Small hammer

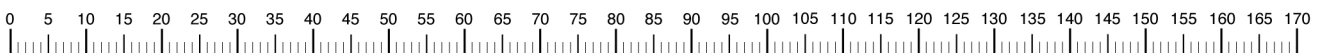


Wrench
(Do not provided in this product)



Ruler/ tape measure

Ruler - Use this ruler to help correctly identify the screws

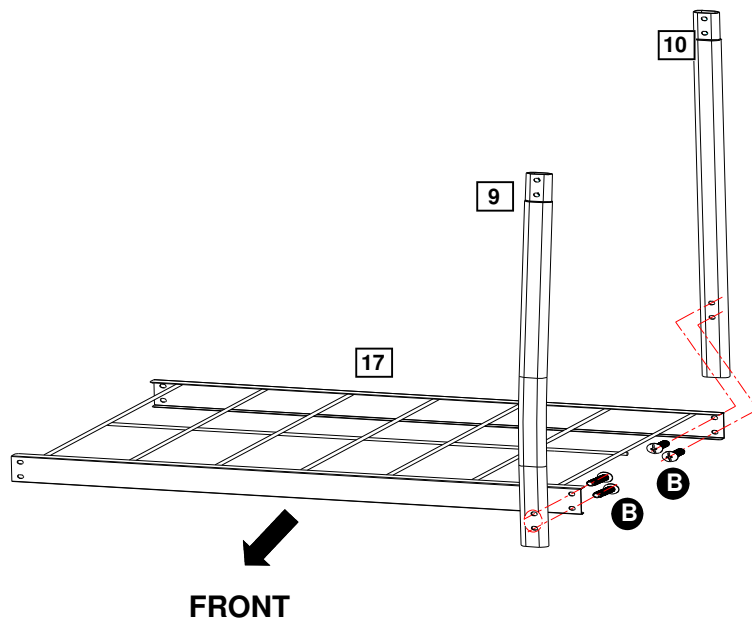


Assembly Instructions

Step 1

Put the right front leg **9** and right rear leg **10** on the bottom shelf **17** using 10mm bolts **B**.

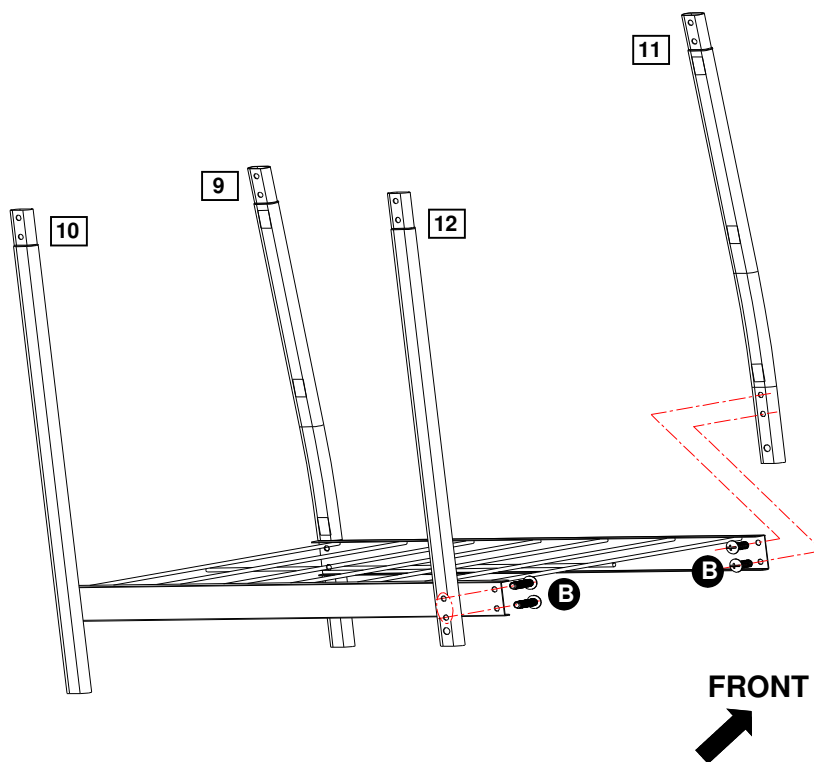
Fix the bolts tightly by the screwdriver.



Step 2

Put the left front leg **11** and left rear leg **12** on the bottom shelf **17** using 10mm bolts **B**.

Fix the bolts tightly by the screwdriver.

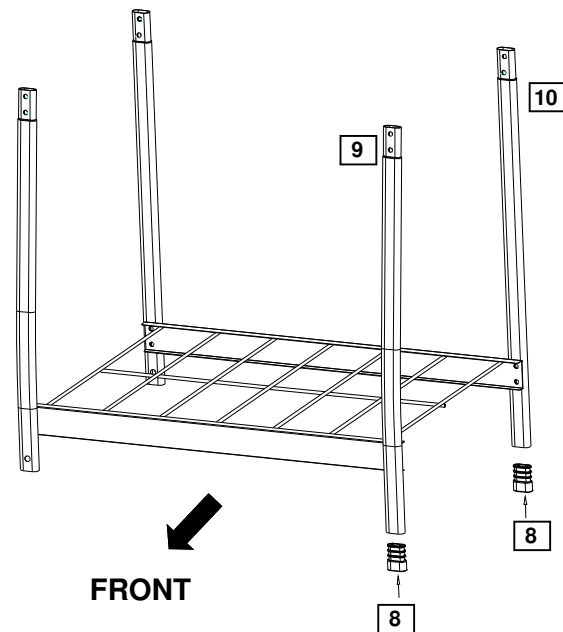


Assembly Instructions

Step 3

Fix the leg caps **8** to the right front leg **9** and right rear leg **10**.

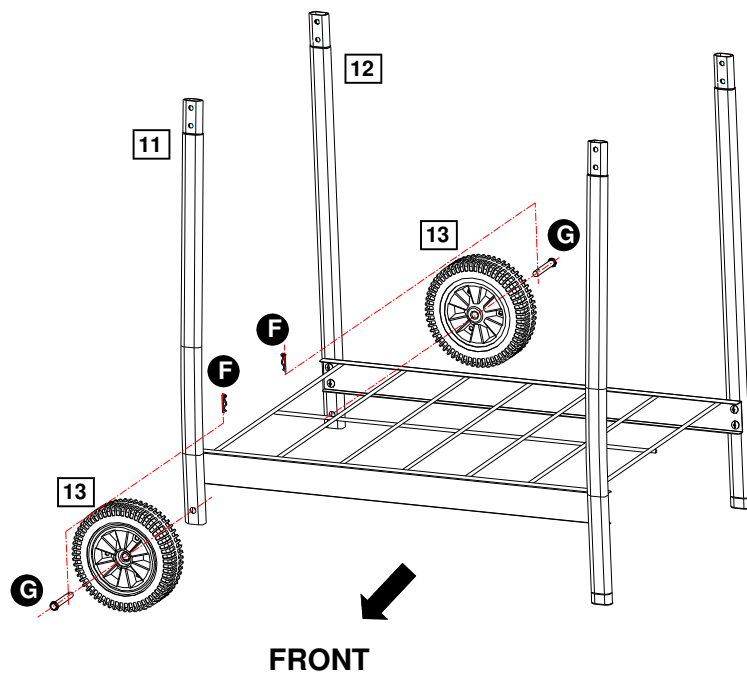
Hammer the leg caps **8** slightly to make it fix on the legs.



Step 4

Insert the wheels **13** to the left front leg **11** and the left rear leg **12** using the axles **G**.

Then fix the axles **G** by R-pin **F**.



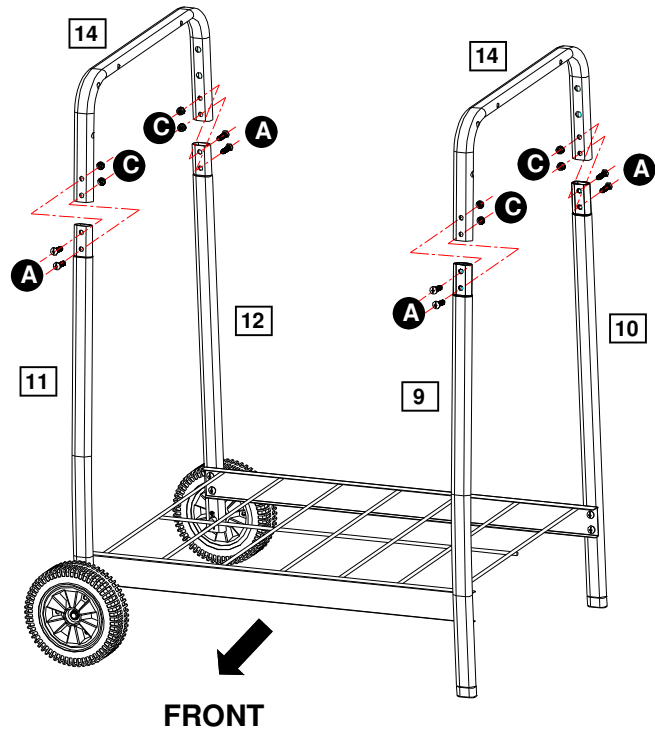
Assembly Instructions

Step 5

Connect the upper support **14** with the left front leg **11** and left rear leg **12** using 25mm bolts **A** and M6 nuts **C**.

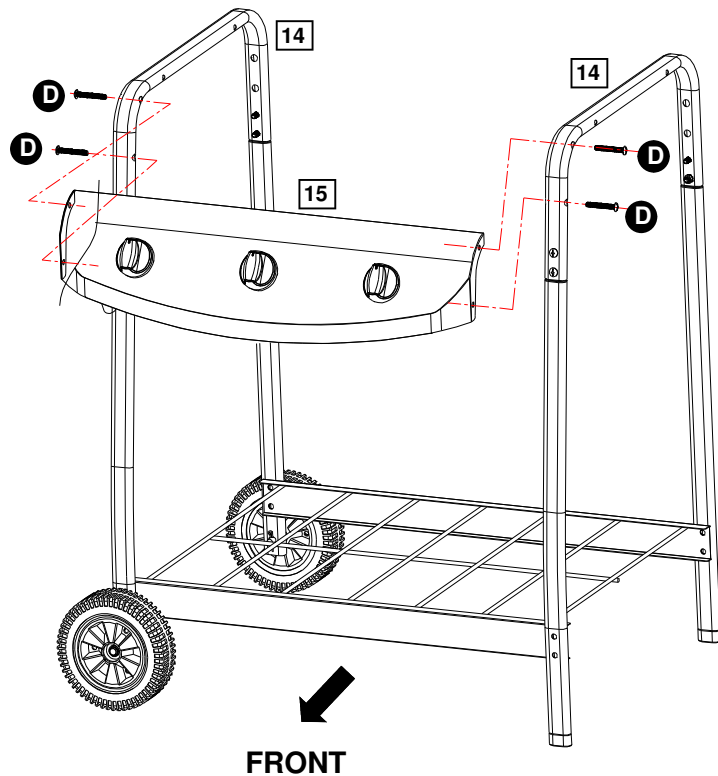
Repeat the same connection of the upper support **14** with the right front leg **9** and right rear leg **10** using 25mm bolts **B** and M6 nuts **C**.

Fix the bolts tightly by the screwdriver.



Step 6

Fix the control panel assembly **15** on the upper supports **14** using 40mm bolts **D**.

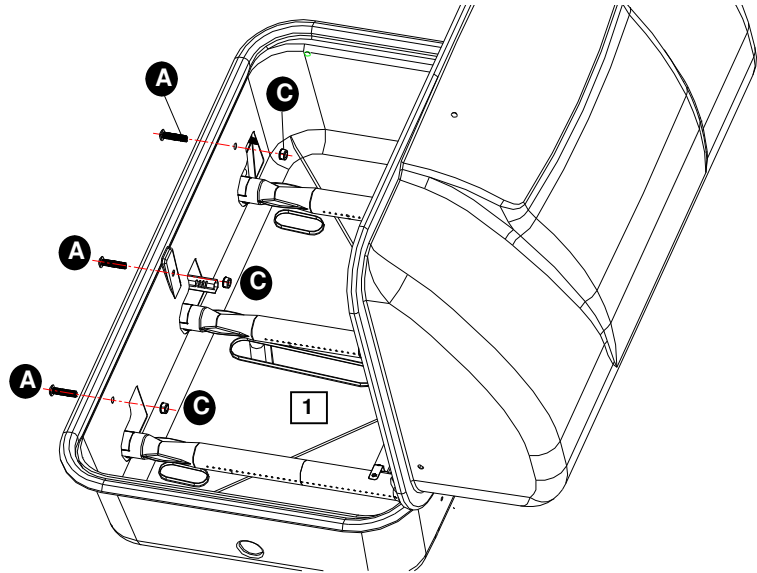


Assembly Instructions

Step 7

a: Fix the 25mm bolts **A** and M6 nuts **C** on the grill assembly **1**.

a:

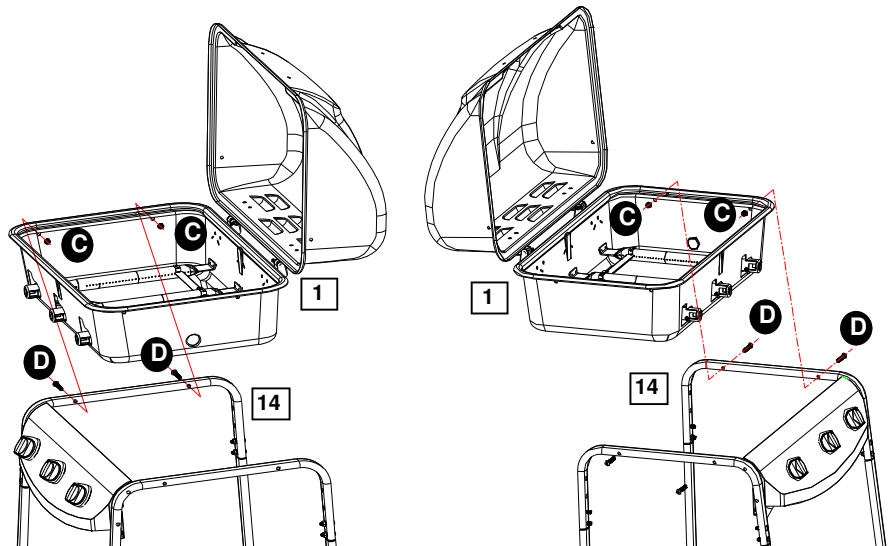


b: Set the grill assembly **1** on the upper supports **14** and fix it by 40mm bolts **D** and M6 nuts **C**.

b:

(Do not tighten the bolts at this stage.)

Align all valves on the control panel assembly **15** against each venturi of the burner.



Important:

Make sure the valve tip goes into the venturi tube completely with good alignment.

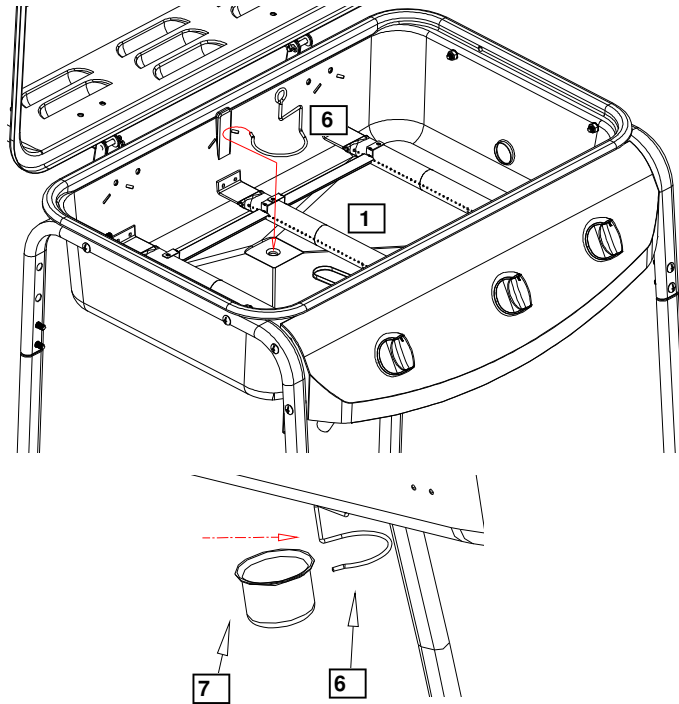
Fix all the bolts and tighten them by the screwdriver.

Assembly Instructions

Step 8

Put the grease cup hanger **6** through the hole of the grill assembly **1**.

Hang the grease cup **7** on the grease cup hanger **6**.

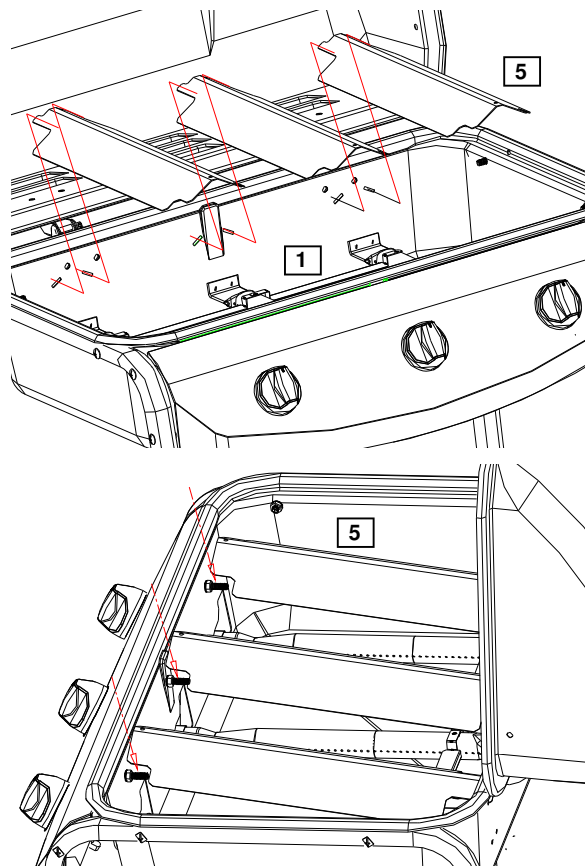


Step 9

Place the heat tent **5** on top of each burner of the grill assembly **1**.

Align the heat tent **5** with tabs on its end against slots on the firebowl back.

Rest the heat tent **5** on the pre-assembled bolts fixed on step 7a.



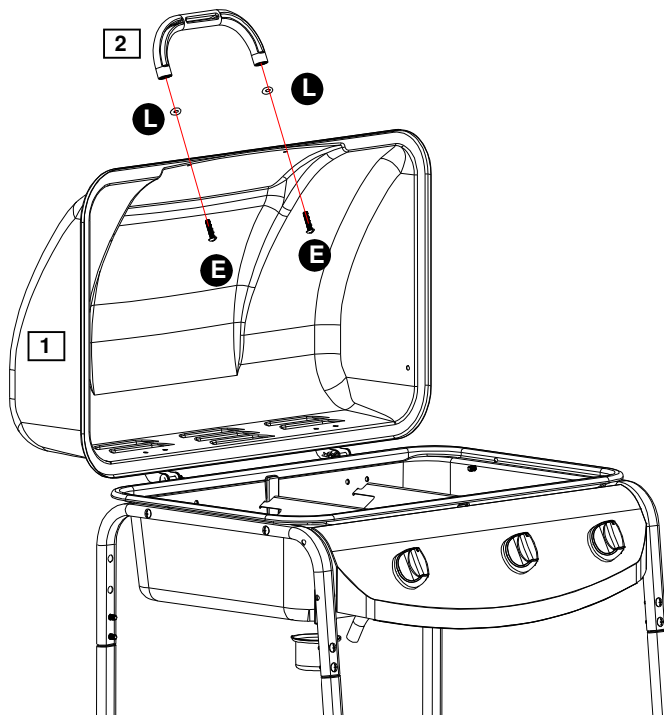
Assembly Instructions

Step 10

Put the washers **L** between the lid handle **2** and the lid of the grill assembly **1**.

Align the holes and fix the lid handle **2** on the lid of the grill assembly **1** using 10mm bolts **E**.

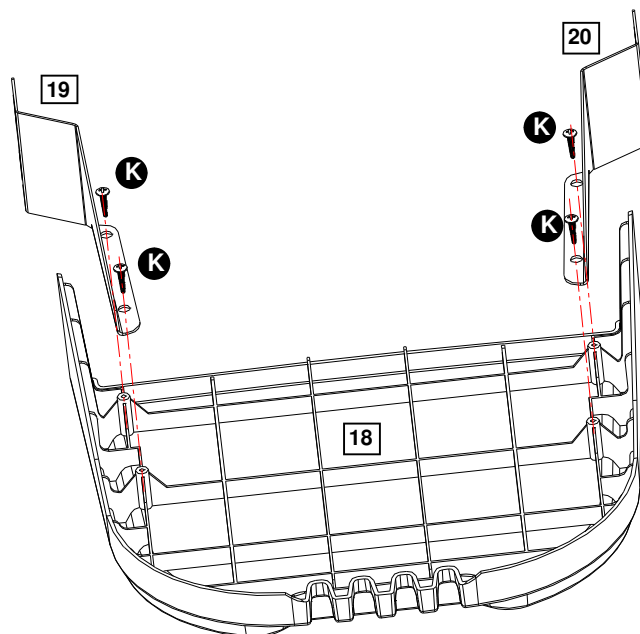
Fix the bolts tightly by the screwdriver.



Step 11

Assemble the side table front support **19** and the side table rear support **20** to the side table **18**.

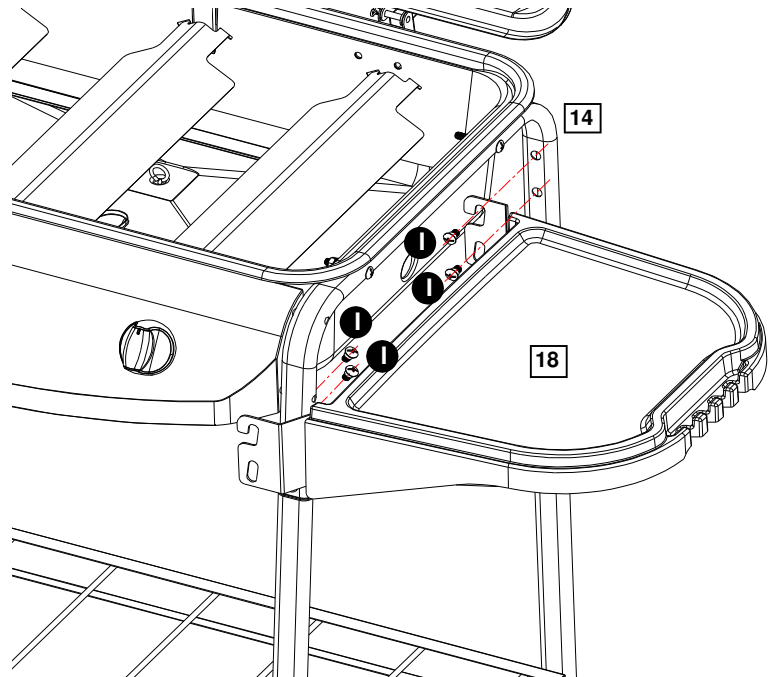
Secure the supports with 10mm screws **K**.



Assembly Instructions

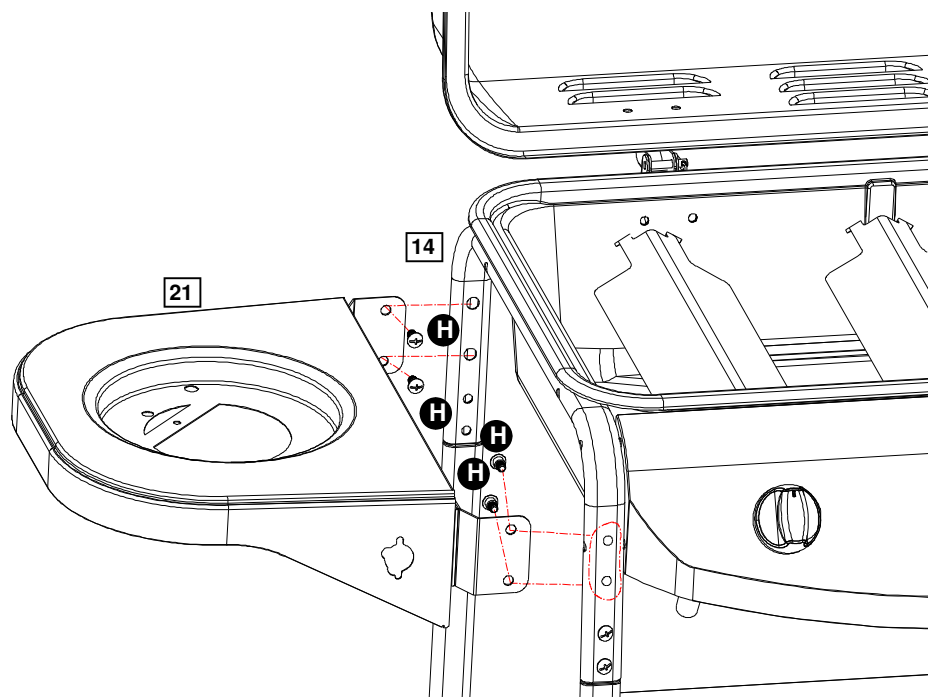
Step 12

Install the side table assembly made in step 11 to the upper support **14** by 15mm shoulder bolts **I**.



Step 13

Install the side burner assembly **21** to the upper support **14** using 15mm bolts **H**.

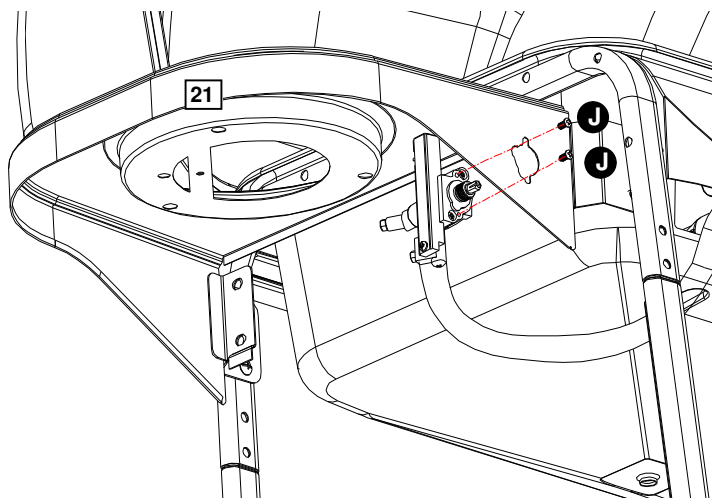


Assembly Instructions

Step 14

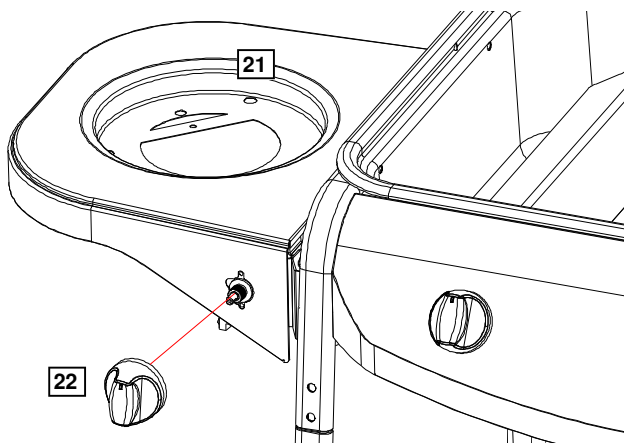
a: Fix the side burner valve on the side burner panel of the side burner assembly **21** using 8mm bolts **J**.

a:



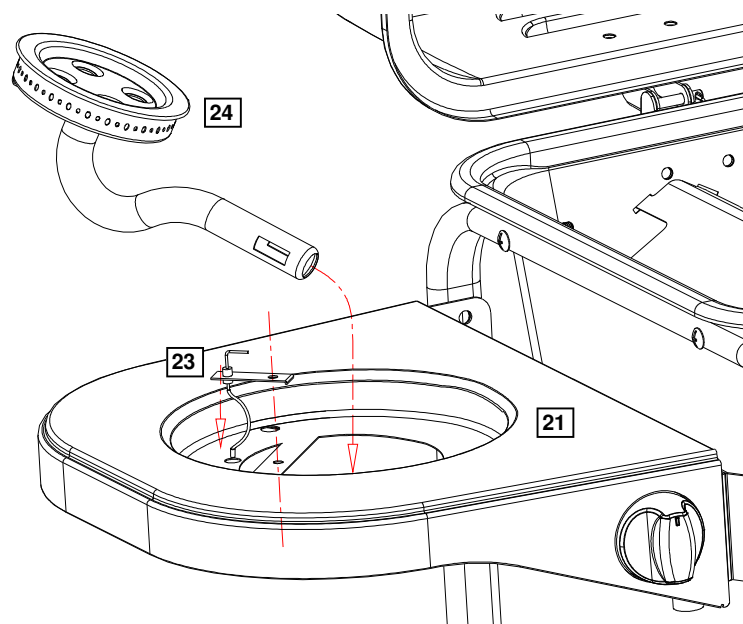
b: Put the side burner knob **22** on the side burner assembly **21**.

b:



c: Put the side burner **24** and the side burner electrode **23** through the hole of side burner assembly **21**.

c:



Assembly Instructions

Step 14

d: Align the venturi of the side burner **24** against the valve.



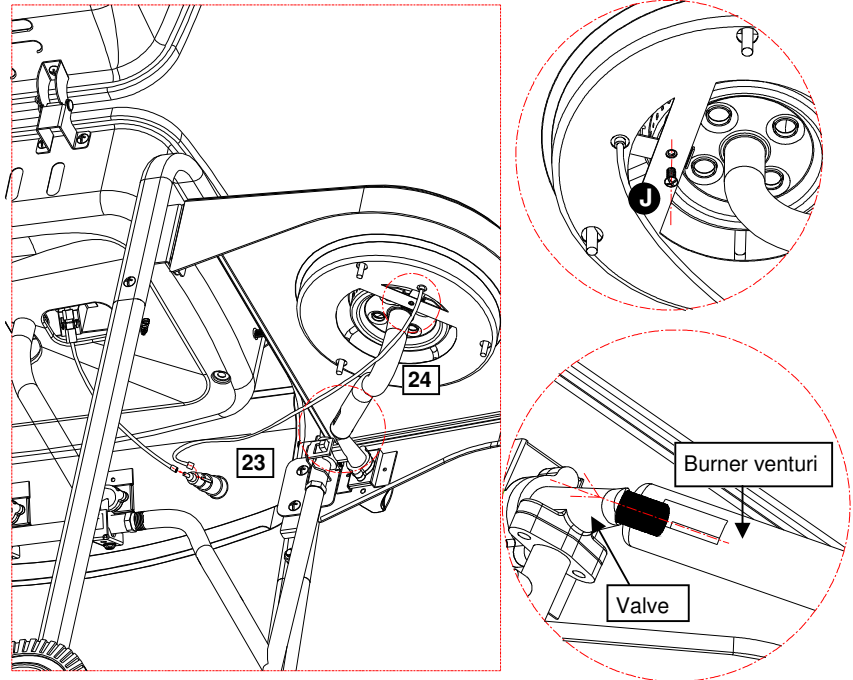
Important:

Make sure the valve tip goes into the venturi tube completely with good alignment.

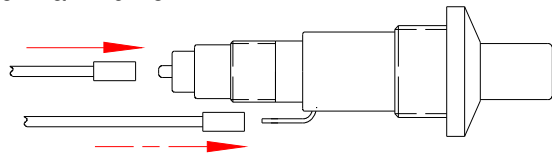
Then tighten the side burner on the side burner assembly using 8mm bolt **J**.

Connect the electrode of the main burner and the side burner electrode **23** to the electrode end of ignitor on the control panel assembly **15**.

d:



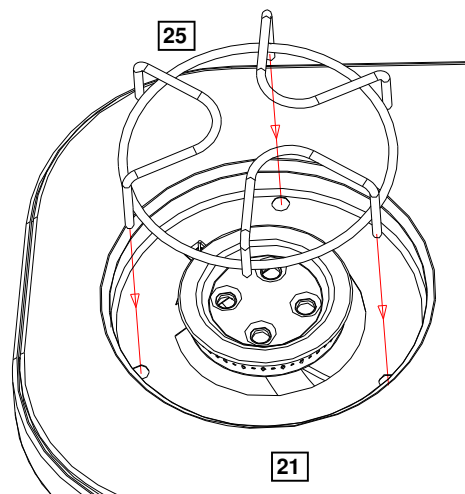
Electrode of Main Burner



Electrode of Side Burner

e: Put the side burner grate **25** on the side burner assembly **21** and align with 3 holes.

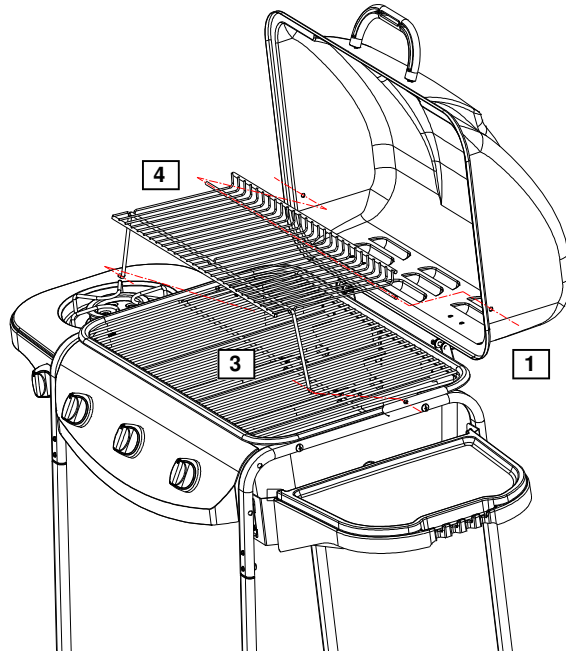
e:



Assembly Instructions

Step 15

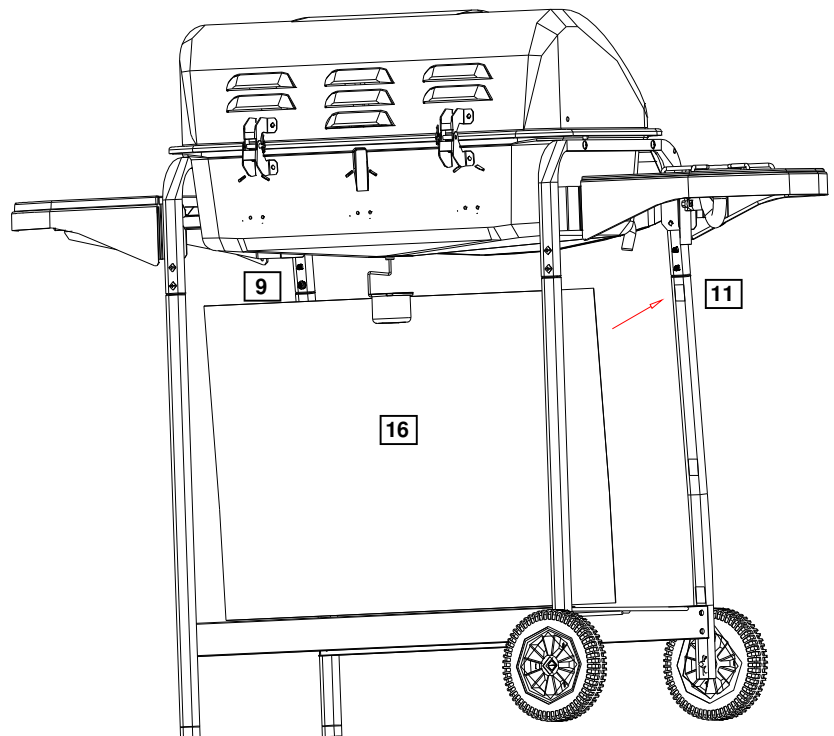
Put the cooking grill **3** and the warming rack **4** on the grill assembly **1**.



Step 16

Attach the front canvas **16** to the left front leg **11** and right front leg **9**.

Secure the position with the velcro on canvas edge.



Assembly Instructions

Step 17

Assembly is complete.



If you need help or have damaged or missing parts, call the **Customer Helpline: 08456 400800.**

Technical Specification

Model Number	KS10013
Gas Category	I3P (37)
Type of Gas	Propane
Gas Pressure	37 mbar
Pin Number	359/BU/1015
Injector Size (Main Burner)	0.84mm
Injector Size (Side Burner)	0.74mm
Total Heat Input	11.0 kW
3 Burner Heat Input	8.7 kW
Side Burner Heat Input	2.3 kW
Gas Consumption	785 g/h
Country of Destination	GB and IE

Do not use this barbecue outside England and Ireland.

This barbecue grill is imported by:

Argos Limited, MK9 2NW

Troubleshooting

<i>Problem</i>	<i>Possible Cause</i>	<i>Solution</i>
<i>Burner will not light using the ignition system</i>	LP gas cylinder is empty	Replace with full cylinder
	Faulty regulator	Have regulator checked or replace
	Obstructions in burner	Clean burner
	Obstructions in gas jets or gas hose	Clean jets and gas hose
	Electrode wire is loose or disconnected on electrode or ignition unit.	Reconnect wire
	Electrode or wire is damaged	Change electrode and wire
	Faulty push button ignitor	Change ignitor
<i>Burner will not light with a match</i>	LP gas cylinder is empty	Replace with full cylinder
	Faulty regulator	Have regulator checked or replace
	Obstructions in burner	Clean burner
	Obstructions in gas jets or gas hose	Clean jets and gas hose
<i>Low flame or flashback (fire in burner tube— a hissing or roaring noise may be heard)</i>	LP gas cylinder too small	Use larger cylinder.
	Obstructions in burner	Clean burner
	Obstructions in gas jets or gas hose	Clean jets and gas hose
	Windy conditions.	Use BBQ in a more sheltered position
<i>Gas valve knob difficult to turn</i>	Gas valve jammed	Replace gas valve