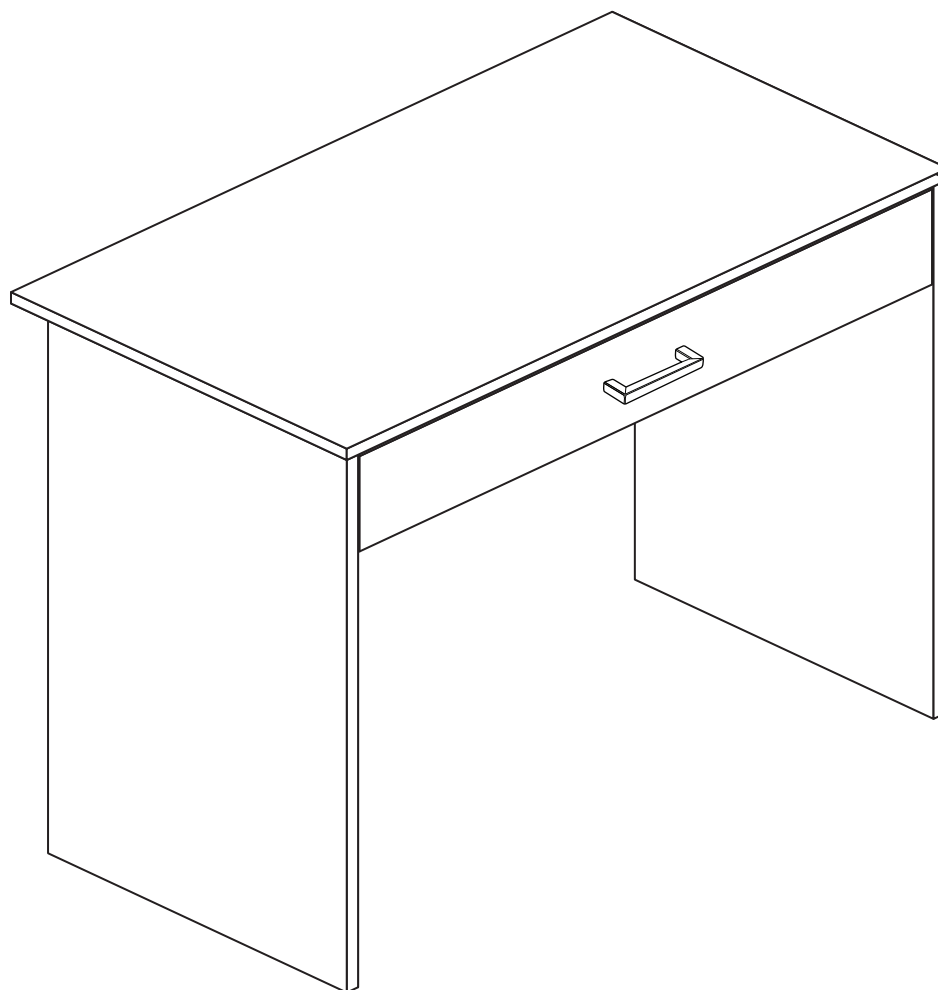


Caspian - 1 Drawer Desk

Assembly Instructions - Please keep for future reference

343/8521

359/6645



Dimensions

Width - 79.5cm

Depth - 44.5cm

Height - 72cm



**MADE IN
BRITAIN**

Important - Please read these instructions fully before starting assembly

If you need help or have damaged or missing parts, call the **Customer Helpline: 03456 400800**



Safety and Care Advice

Important - Please read these instructions fully before starting assembly

- **Warning:** This unit weighs approximately 15kgs. Please lift with care.

- Check you have all the components and tools listed on pages 2 and 3.

- Remove all fittings from the plastic bags and separate them into their groups.

- Keep children and animals away from the work area, small parts could choke if swallowed.

- Parts of the assembly will be easier with 2 people.

- Make sure you have enough space to layout the parts before starting.

- Do not stand or put weight on the product, this could cause damage.

- Assemble the item as close to its final position (in the same room) as possible.

- Assemble on a soft level surface to avoid damaging the unit or your floor (use opened out unit carton).



- We do not recommend the use of power drill/drivers **for inserting screws**, as this could damage the unit. Only use hand screwdrivers.

- **Safety note:** It is recommended that this unit is secured to a wall using the overbalance protector kit supplied or, an alternative fixing method of your choice.

- Dispose of all packaging carefully and responsibly.

Care and maintenance

- Only clean using a damp cloth and mild detergent, do not use bleach or abrasive cleaners.

- From time to time check that there are no loose screws on this unit.

- This product should not be discarded with household waste. Take to your local authority waste disposal centre.

Note: If required the next page can be cut out and used as reference throughout the assembly. Keep this page with these instructions for future reference.

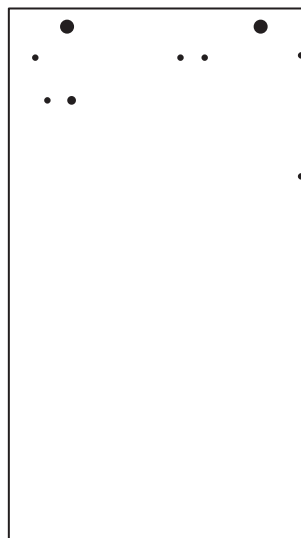
Components - Panels

If you have damaged or missing components, call the **Customer Helpline: 03456 400800** quoting the reference numbers below

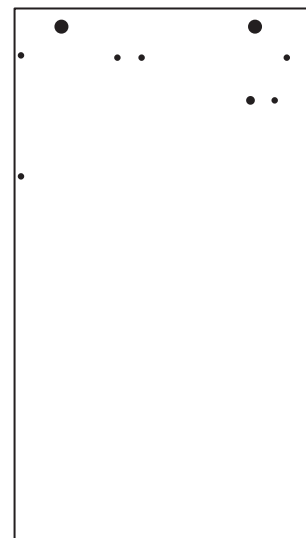
Please check you have all the panels listed below



1 Top (D1914B)
(795 x 444mm)



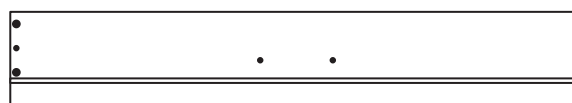
2 Left Side (D1915B)
(706 x 395mm)



3 Right Side (D1916B)
(706 x 395mm)



4 Modesty (D1917A)
(761 x 280mm)



5 Drawer Front (D1918A)
(757 x 126mm)



6 Cross Rail (D1919A)
(761 x 96mm)



7 Drawer Base (T455)
(739 x 327mm)



8 Left Drawer Side (W453LH)
(330 x 95mm)



9 Right Drawer Side (W453RH)
(330 x 95mm)



10 Drawer Back (W455)
(728 x 95mm)

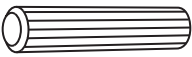
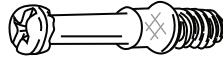

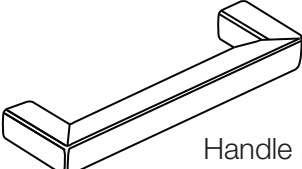







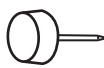
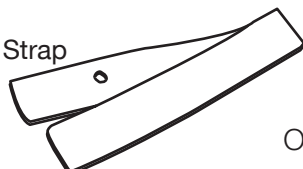




Components - Fittings

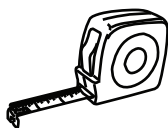
If you have damaged or missing components, call the **Customer Helpline: 03456 400800** quoting the reference numbers below

Please check you have all the fittings listed below

Note: The quantities below are the correct amount to complete the assembly. In some cases more fittings may be supplied than are required.

<p>A </p> <p>Wooden dowel (F22) x 2</p>	<p>B </p> <p>Metal dowel (F901) x 12</p>	<p>C </p> <p>Knock-in Peg (F171GY) x 4</p>
<p>D </p> <p>Handle (F923) x 1</p>	<p>E </p> <p>Large locking nut (F900) x 10</p>	<p>F </p> <p>Small locking nut (F3) x 2</p>
<p>G </p> <p>19mm Screw (F461) x 2</p>	<p>H </p> <p>9mm Screw (F74) x 2</p>	<p>I </p> <p>9mm Screw (F73) x 4</p>
<p>J </p> <p>Wedgefix (F639) x 4</p>	<p>K </p> <p>Drawer runner (F1004) x 2</p>	
<p>L </p> <p>Plastic Nail (F91) x 4</p>	<p>M   Screw  Washer x 2</p> <p>Overbalance protector kit (F269) x 1</p>	

Tools required



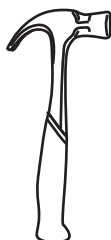
Rule



Cross-head screwdriver



Scissors



Hammer

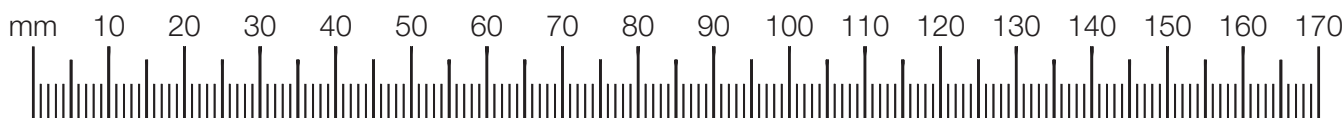


Eye protection
(when using a hammer or drill)



Electric drill
(do not use for fitting screws)

Ruler - Use this ruler to help correctly identify the screws



Assembly Instructions

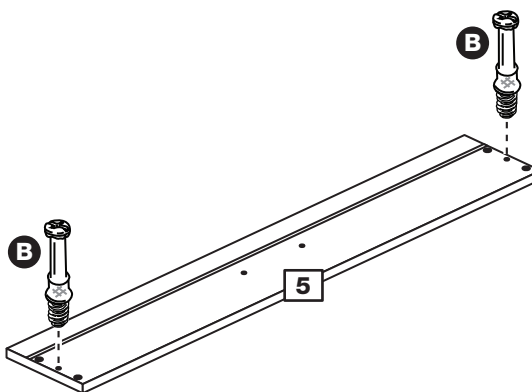
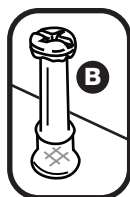
If you have damaged or missing components, call the
Customer Helpline: 03456 400800 quoting the reference
numbers below

Step 1

Prepare the drawer front

Screw 2 metal dowels **B** into the drawer front **5**.

Note: Tighten metal dowels up fully against the panels.

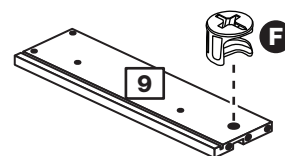
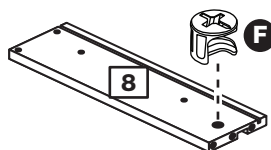
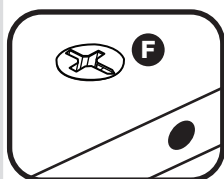


Step 2

Prepare the drawer sides

Insert a small locking nut **F** into the hole shown on the left drawer side **8** and right drawer side **9**.

Note: Arrow on locking nut **must** point towards hole in edge of panel.



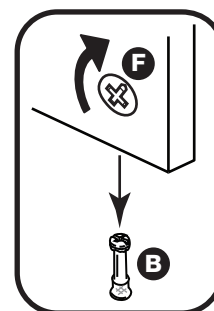
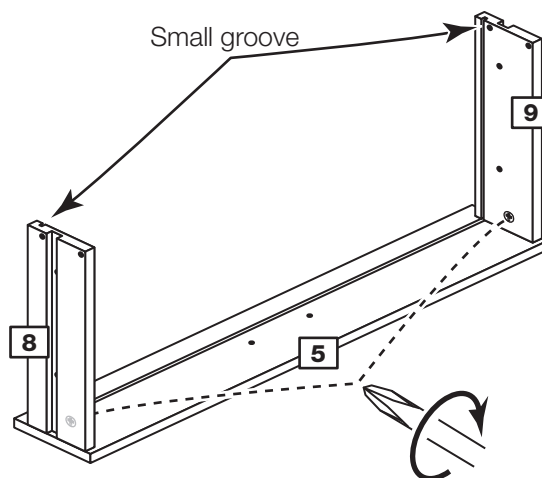
Note: Due to the manufacturing process, the holes for the locking nut can be on either surface of the drawer sides.

Step 3

Attach the drawer sides to the drawer front

Push the left drawer side **8** and right drawer side **9** onto the back of the drawer front **5**.

Turn the small locking nuts **F** on the left drawer side **8** and right drawer side **9**.



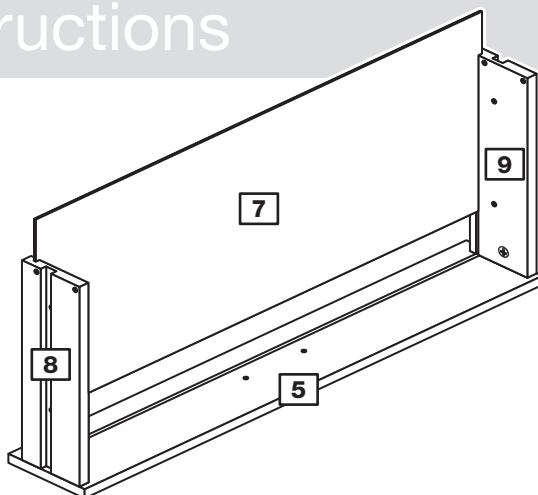
Note: The locking nuts can be on either surface of the drawer sides. Make sure that the small groove is on the inside, as shown.

Assembly Instructions

Step 4

Fit the drawer base

Slide the drawer base **7** down the grooves in the drawer sides **8** and **9** and down into the groove in the drawer front **5**.



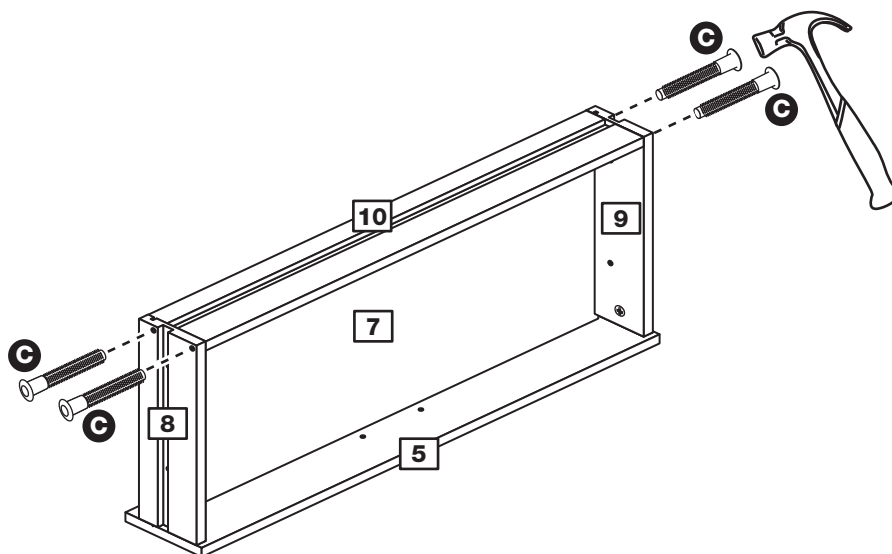
Step 5

Fit the drawer back

Fit the drawer back **10** between the drawer sides **8** and **9**.

Make sure that the drawer base **7** fits into the groove in the drawer back **10**.

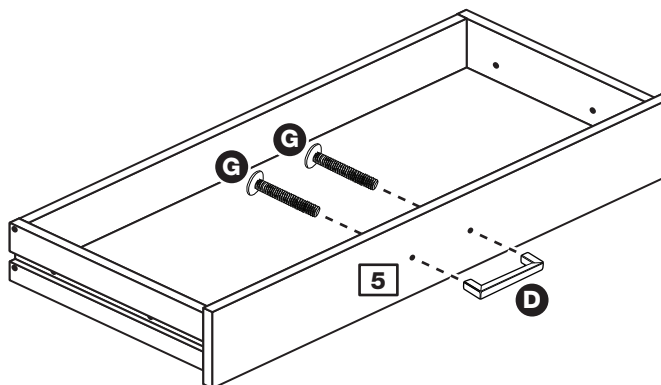
Hold the drawer back **10** in position and tap the knock-in pegs **C** through the holes in the drawer sides **8** and **9**.



Step 6

Attach the handle

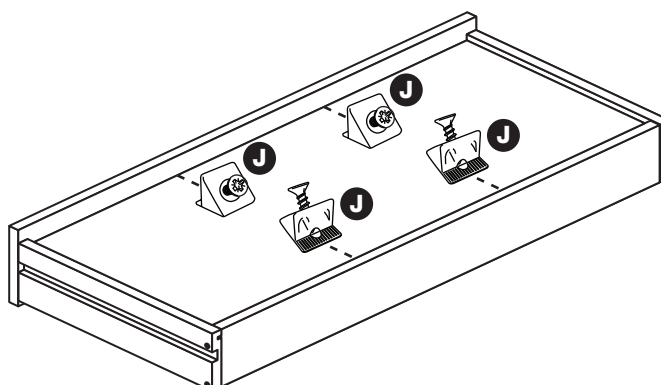
Attach the handle **D** to the drawer front **5** using 2 screws **G**.



Step 7

Fit the wedgifixes

Turn the drawer assembly over and slide 4 wedgifixes **J** into the front and back grooves, as shown, and tighten up the screws.



Assembly Instructions

Step 8

Prepare the left side

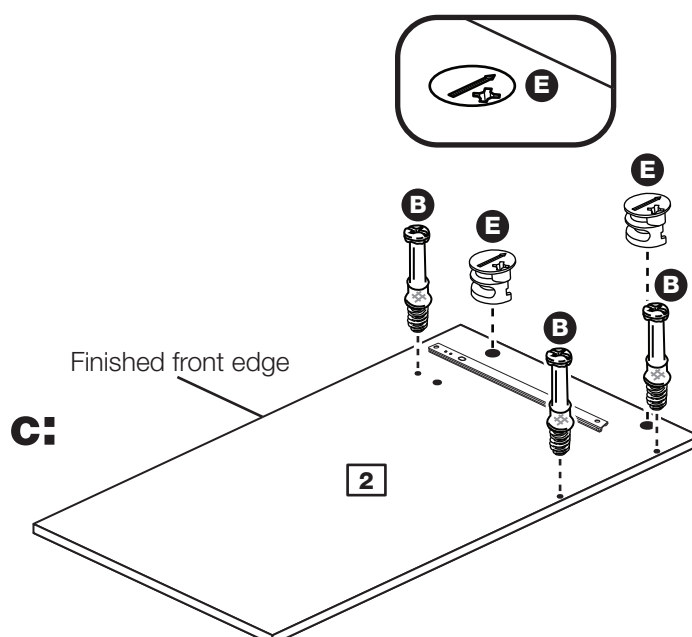
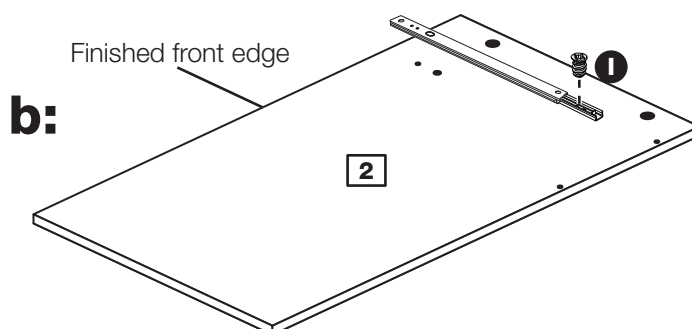
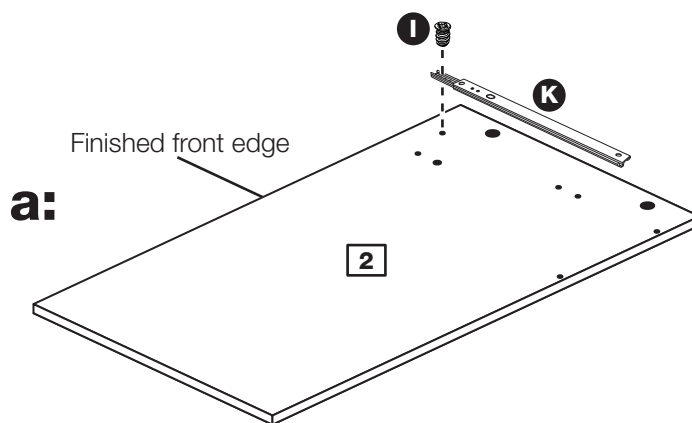
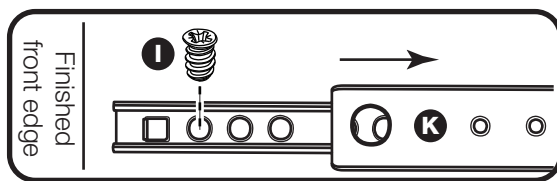
a: Place a runner **K** on the left side **2**. Slide back the top of runner and use the 1st hole from the front to fit the 1st screw **I**.

b: Slide the runner **K** back the other way and fit the 2nd screw **I** into the corresponding hole on the left side **2**.

c: Insert 2 large locking nuts **E** into the left side **2**.

Note: The arrow on the locking nuts **must** point towards the hole in the edge of the panel.

Screw 3 metal dowels **B** into the left side **2**.



Assembly Instructions

Step 9

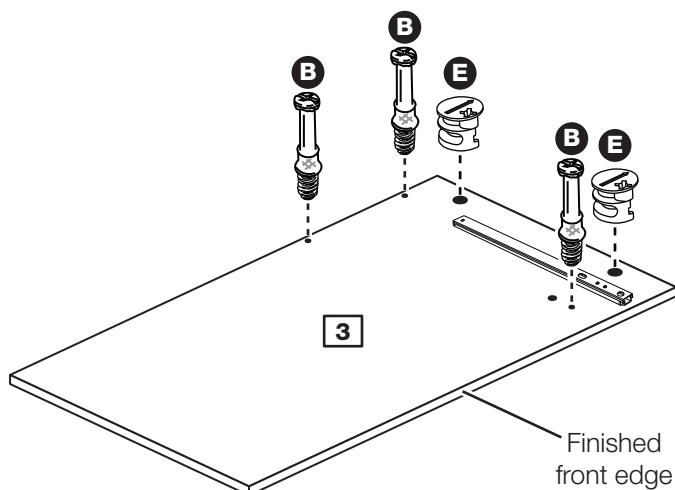
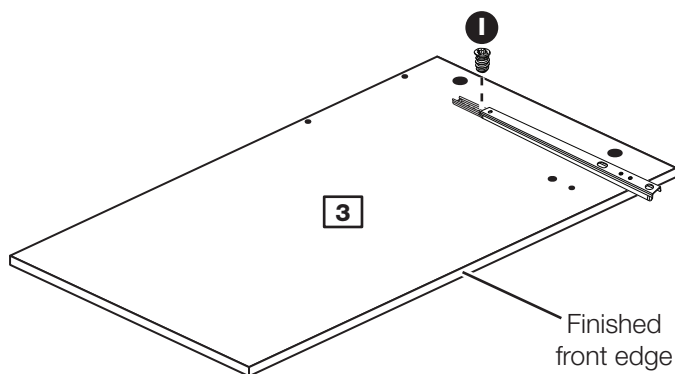
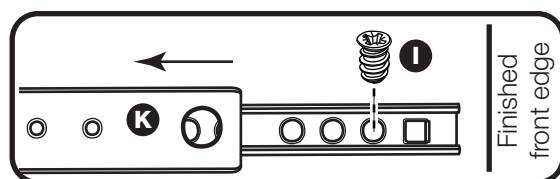
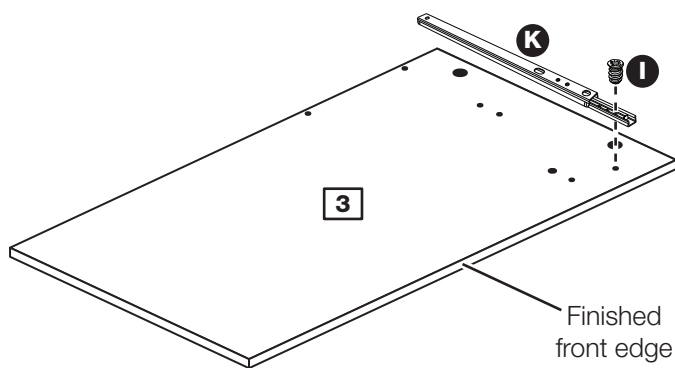
Prepare the right side

a: Place a runner **K** on the right side **3**. Slide back the top of runner and use the 1st hole from the front to fit the 1st screw **I**.

b: Slide the runner **K** back the other way and fit the 2nd screw **I** into the corresponding hole on the right side **3**.

c: Insert 2 large locking nuts **E** into the right side **3**.

Screw 3 metal dowels **B** into the right side **3**.



Assembly Instructions

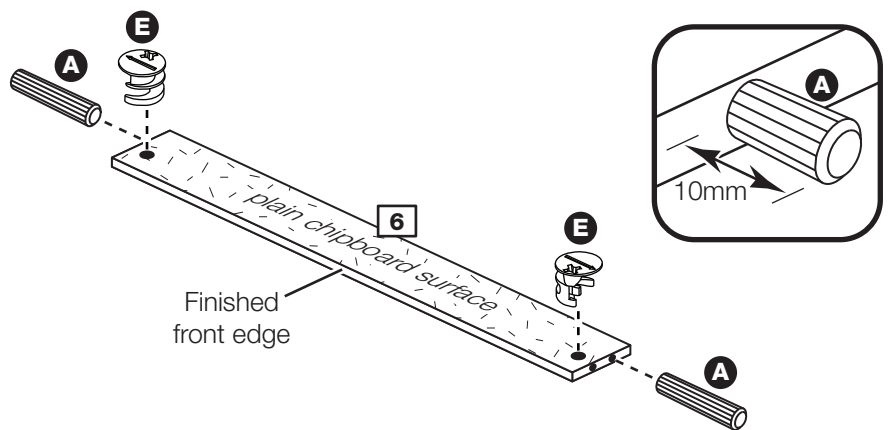
Step 10

Prepare the cross rail

Insert 2 large locking nuts **E** into the cross rail **6**.

Tap 2 wooden dowels **A** into the cross rail **6**.

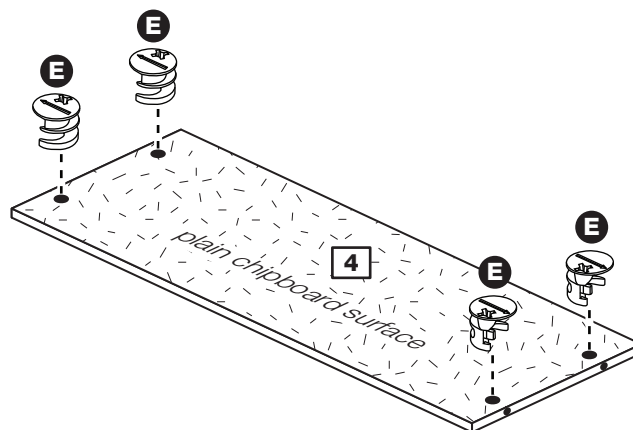
Note: Wooden dowels **must not** stick out from the edge by more than 10mm or they may damage other panels.



Step 11

Prepare the modesty

Insert 4 large locking nuts **E** into the modesty **4**.



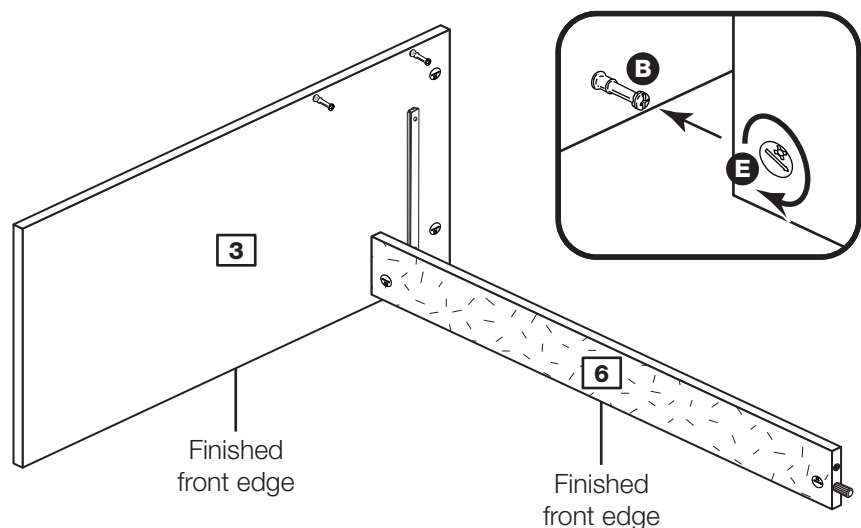
Step 12

Join the right side and cross rail

Push the cross rail **6** onto the right side **3**.

Use a screwdriver to tighten the large locking nut **E** fitted to the cross rail **6**.

Note: Turn the large locking nut **E** as far as it will go - more than 1/2 a turn.



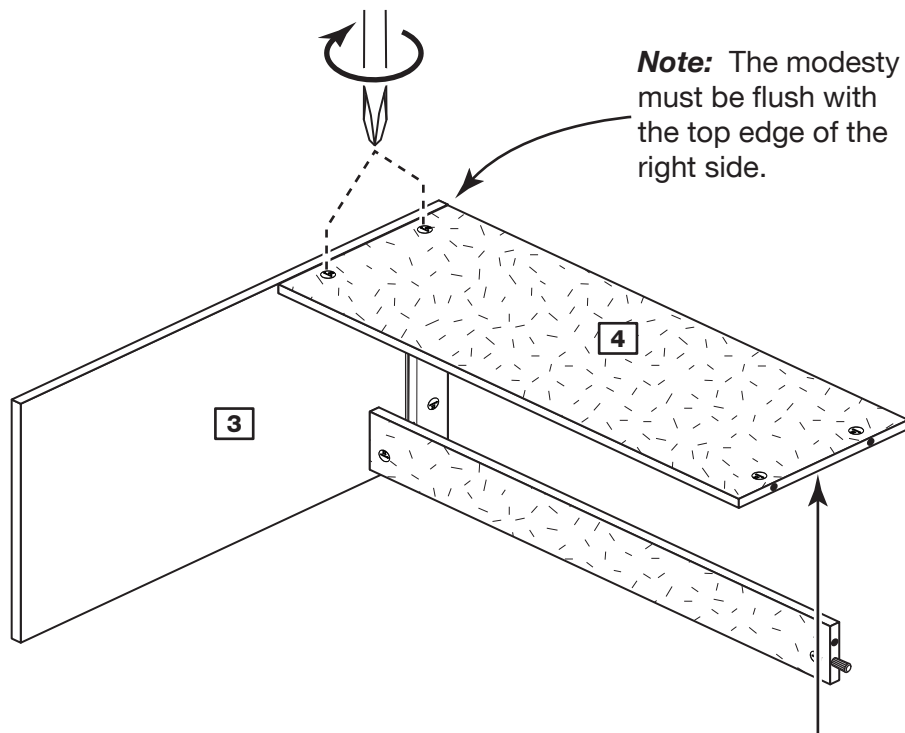
Assembly Instructions

Step 13

Fit the modesty

Push the modesty **4** onto the right side **3**.

Use a screwdriver to tighten the 2 large locking nuts **E** fitted to the modesty **4**.



Note: Support the modesty until the left side has been fitted in the next step.

Step 14

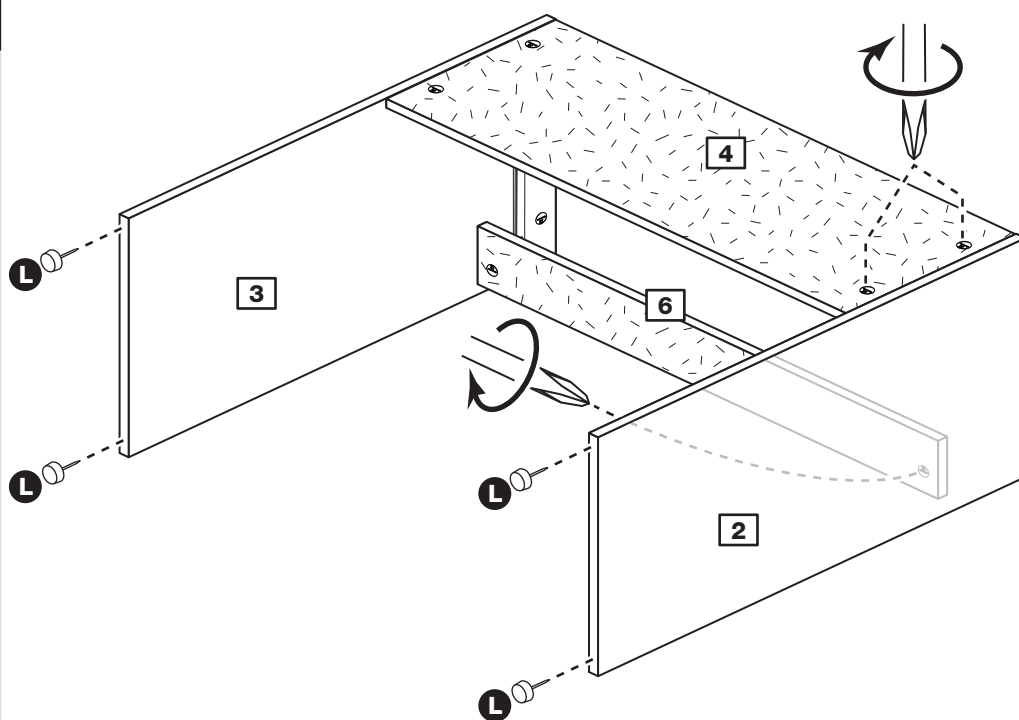
Fit the left side

Push the left side **2** onto the modesty **4** and the cross rail **6**.

Use a screwdriver to tighten the 3 large locking nuts **E** fitted to the modesty **4** and cross rail **6**.

Tap 2 plastic nails **L** into the bottom edge of each of the sides **2** and **3**.

Stand the unit up for the next step.

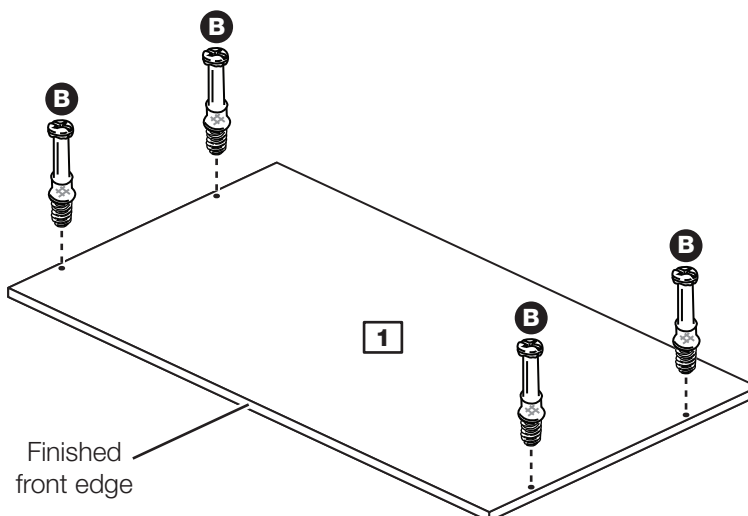


Assembly Instructions

Step 15

Prepare the top

Screw 4 metal dowels **B** into the top **1**.

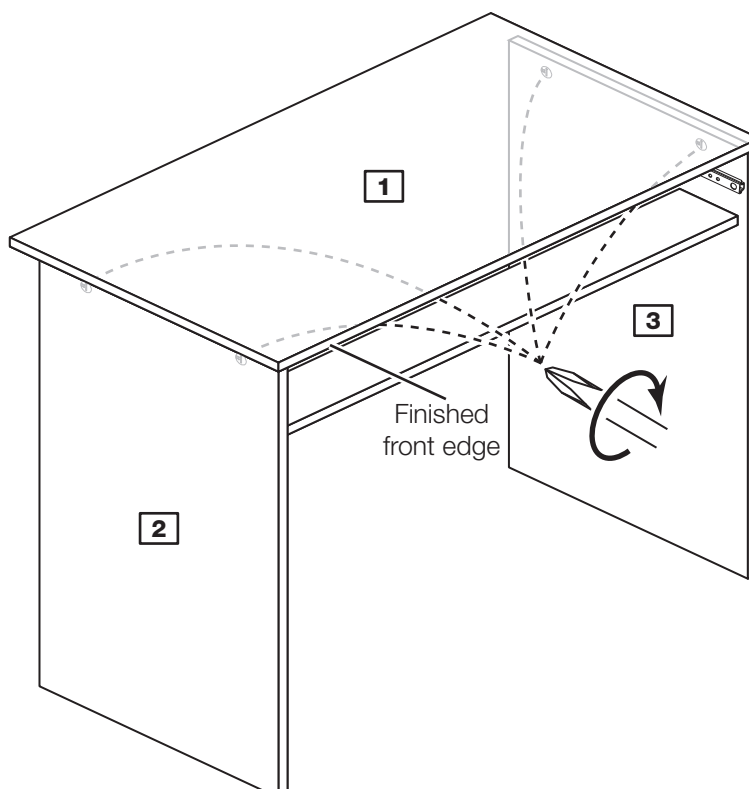


Step 16

Fit the top

Push the top **1** down onto the side panels **2** and **3**.

Use a screwdriver to tighten the 4 large locking nuts **E** fitted to the side panels **2** and **3**.



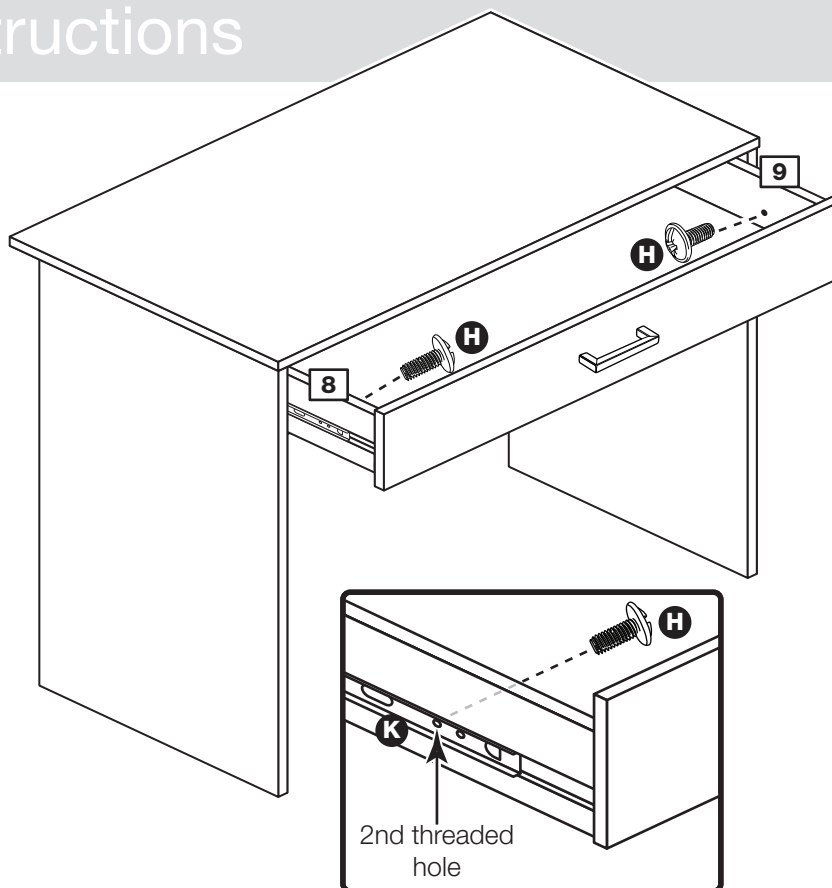
Assembly Instructions

Step 17

Fit the drawer

Slide both of the runners **K** forward and locate the drawer sides **8** and **9** between them, lining up the holes in the drawer sides with the 2nd 'threaded' holes in the runners.

Working from the inside of the drawer, insert 2 screws **H** through the drawer sides and out into the 2nd threaded hole in the runner.



Note: Do not overtighten the screws. If they catch on the runner you may need to loosen them slightly.

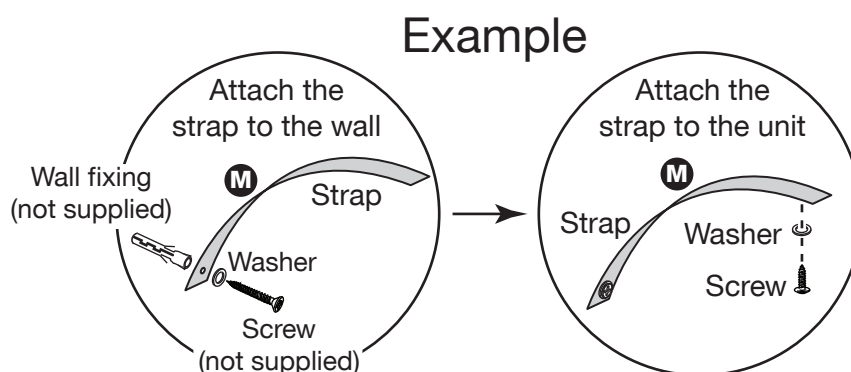
Step 18

Fit the overbalance protector kit

To prevent possible overbalancing we recommend that this unit is secured to a suitable wall by fitting of the overbalance protector kit **M** to the unit, or an alternative fixing method of your choice.

Wall fixings are not supplied as they will need to suit the wall type.

Assembly is complete



Note: Take care when drilling the wall that you do not drill into any pipes, wires etc. If in doubt, consult an expert.

If you need help or have damaged or missing parts, call the **Customer Helpline: 03456 400800** and quote the reference numbers on the component pages.

Argos Ltd, 489-499 Avebury Boulevard, Central Milton Keynes, MK9 2NW