

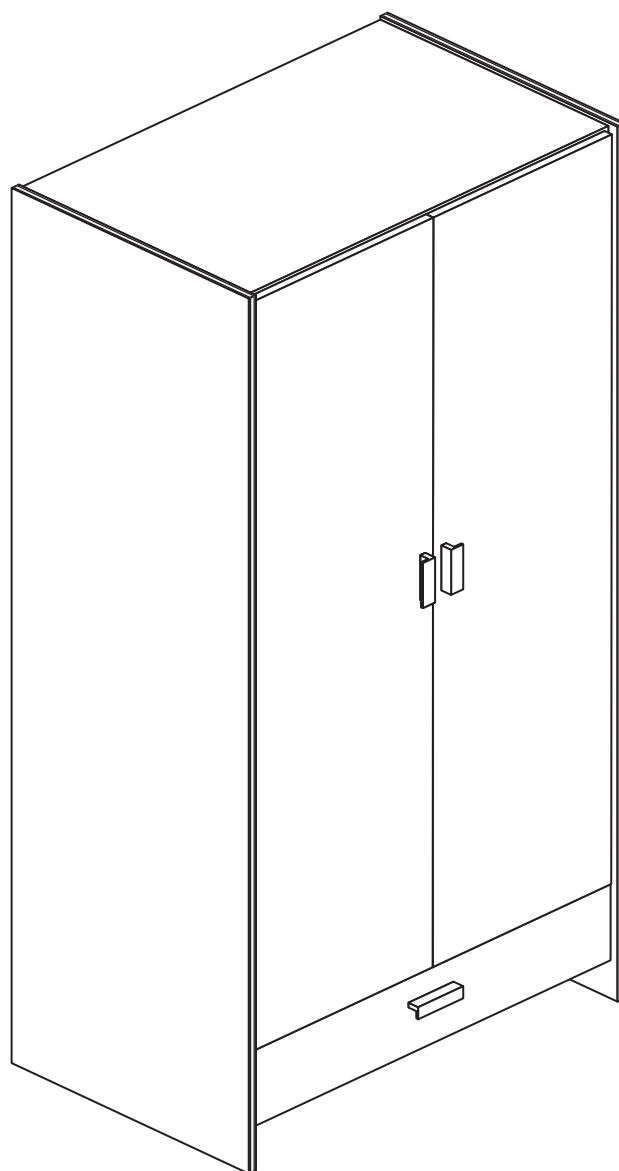
# Capella - 1 Drawer 2 Door Robe

Assembly Instructions - Please keep for future reference

343/7711

339/5200

356/6589



## Dimensions

Width - 83cm

Depth - 49cm

Height - 181cm



**MADE IN  
BRITAIN**

**Important** - Please read these instructions fully before starting assembly

If you need help or have damaged or missing parts, call the **Customer Helpline: 08456 400800**



# Safety and Care Advice

**Important - Please read these instructions fully before starting assembly**

- **Warning:** This unit weighs approximately 50kgs. Please lift with care.
- Check you have all the components and tools listed on pages 2 and 3.
- Remove all fittings from the plastic bags and separate them into their groups.
- Keep children and animals away from the work area, small parts could choke if swallowed.
- Parts of the assembly will be easier with 2 people.

- Make sure you have enough space to layout the parts before starting.
- Do not stand or put weight on the product, this could cause damage.
- Assemble the item as close to its final position (in the same room) as possible.
- Assemble on a soft level surface to avoid damaging the unit or your floor (use opened out unit carton).



• We do not recommend the use of power drill/drivers **for inserting screws**, as this could damage the unit. Only use hand screwdrivers.






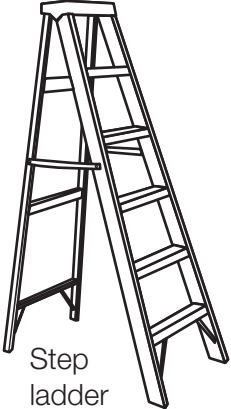
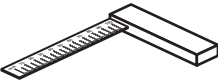


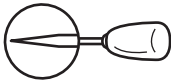
• **Safety note:** It is recommended that this unit is secured to a wall using the bracket supplied.

• Dispose of all packaging carefully and responsibly.

## Care and maintenance

- Only clean using a damp cloth and mild detergent, do not use bleach or abrasive cleaners.
- From time to time check that there are no loose screws on this unit.
- This product should not be discarded with household waste. Take to your local authority waste disposal centre.

## Tools required

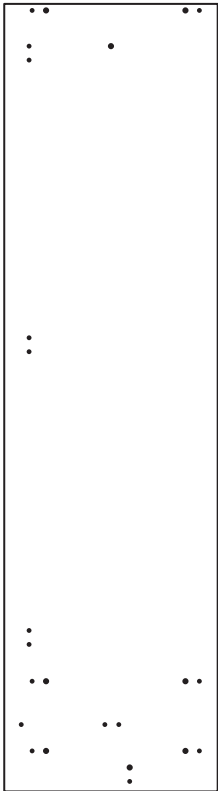
 Rule	 Spirit level	 Eye protection (when using a hammer or drill)	 Cross-head screwdriver	 Electric drill (only use when drilling into walls)	 Step ladder
 Square	 Scissors	 Hammer	 Bradawl		

**Note:** If required the next page can be cut out and used as reference throughout the assembly. Keep this page with these instructions for future reference.

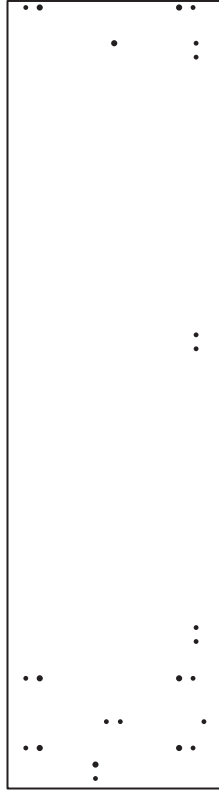
# Components - Panels

If you have damaged or missing components, call the **Customer Helpline: 08456 400800** quoting the reference numbers below

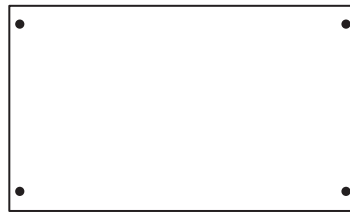
Please check you have all the panels listed below



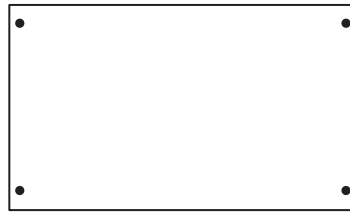
**1** Left Side (DF1997A)  
(1808 x 490mm)



**2** Right Side (DF1998A)  
(1808 x 490mm)



**3** Top (DF1995A)  
(797 x 471mm)



**4** Base (DF1996A)  
(797 x 471mm) x 2



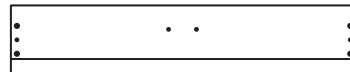
**5** Plinth (DF1999A)  
(797 x 85mm)



**6** Left Drawer Side (W370-124LH)  
(370 x 124mm)



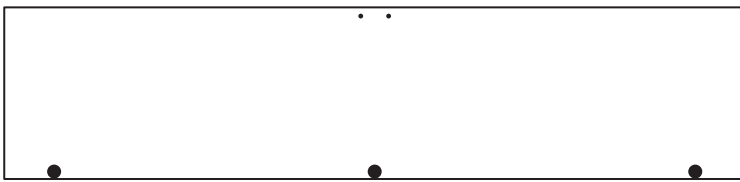
**7** Right Drawer Side (W370-124RH)  
(370 x 124mm)



**8** Drawer Front (DF1800B)  
(793 x 157mm)



**9** Drawer Back (W765-124BK)  
(765 x 124mm)



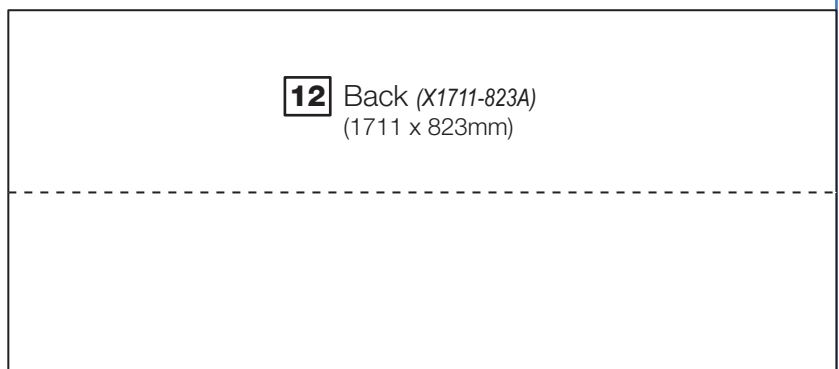
**10** Door (DF1860A)  
(1541 x 394mm) x 2



**11** Drawer Base (T776-367)  
776 x 367mm



**13** Hanging Rail (FHR787)  
(787mm long)



**12** Back (X1711-823A)  
(1711 x 823mm)


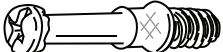
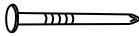









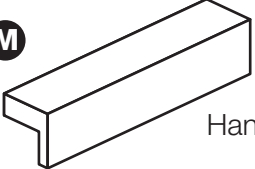
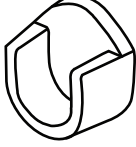
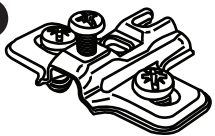
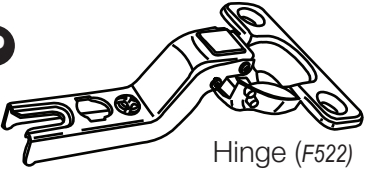

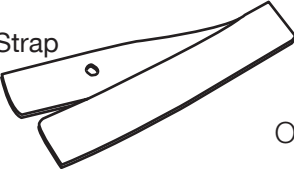





# Components - Fittings

If you have damaged or missing components, call the **Customer Helpline: 08456 400800** quoting the reference numbers below

Please check you have all the fittings listed below

**Note:** The quantities below are the correct amount to complete the assembly. In some cases more fittings may be supplied than are required.

<p><b>A</b> </p> <p>Wooden dowel (F22) x 14</p>	<p><b>B</b> </p> <p>Metal dowel (F901) x 16</p>	<p><b>C</b> </p> <p>Nail (F51) x 32</p>
<p><b>D</b> </p> <p>Large locking nut (F900) x 14</p>	<p><b>E</b> </p> <p>Small locking nut (F3) x 2</p>	<p><b>F</b> </p> <p>Knock-in Peg (F171GY) x 4</p>
<p><b>G</b> </p> <p>Plastic Nail (F91) x 4</p>	<p><b>H</b> </p> <p>25mm Screw (F50) x 6</p>	<p><b>I</b> </p> <p>Wedgefix (F639) x 4</p>
<p><b>J</b> </p> <p>13mm Screw (F63) x 14</p>	<p><b>K</b> </p> <p>9mm Screw (F74) x 2</p>	<p><b>L</b> </p> <p>9mm Screw (F73) x 4</p>
<p><b>M</b> </p> <p>Handle (F930) x 3</p>	<p><b>N</b> </p> <p>Rail holder (F1014) x 2</p>	<p><b>O</b> </p> <p>Hinge plate (F523) x 6</p>
<p><b>P</b> </p> <p>Hinge (F522) x 6</p>	<p><b>Q</b> </p> <p>Drawer runner (F1004) x 2</p>	
<p><b>R</b>    </p> <p>Strap Screw Washer x 2</p> <p>Overbalance protector kit (F269) x 1</p>		

**Ruler** - Use this ruler to help correctly identify the screws

mm 10 20 30 40 50 60 70 80 90 100 110 120 130 140 150 160 170

# Assembly Instructions

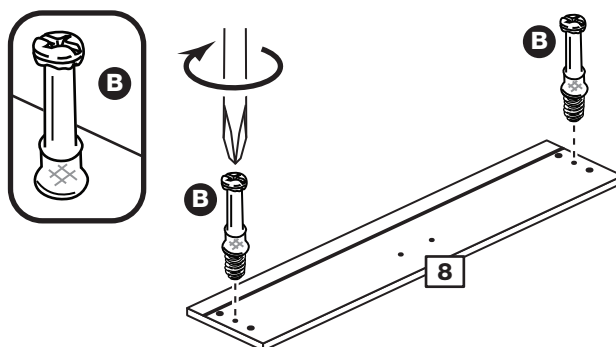
If you have damaged or missing components, call the  
**Customer Helpline: 08456 400800** quoting the reference  
numbers below

## Step 1

### Prepare the drawer front

Screw 2 metal dowels **B** into the holes shown on the back of the drawer front **8**.

**Note:** Tighten the metal dowels up fully against the panels.

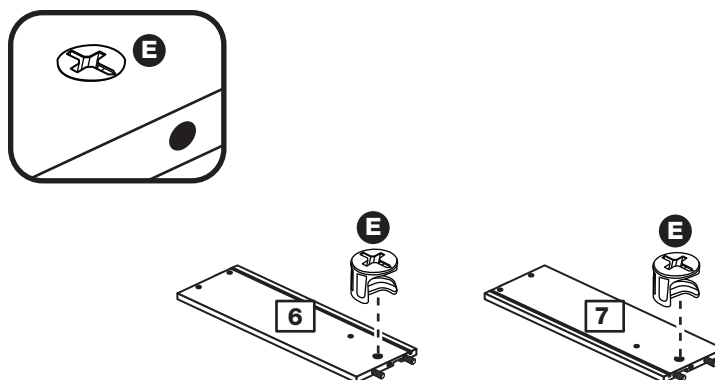


## Step 2

### Prepare the drawer sides

Insert a small locking nut **E** into the hole shown on the left drawer side **6** and right drawer side **7**.

**Note:** The arrow on the locking nut **must** point towards the hole in the edge of the panel.



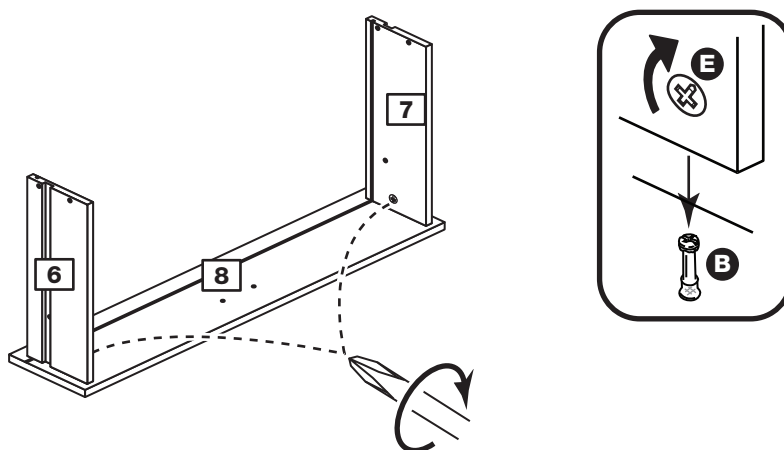
## Step 3

### Attach the drawer sides to the drawer front

Push the left drawer side **6** and right drawer side **7** onto the back of the drawer front **8**.

Turn the small locking nuts **E** on the left drawer side **6** and right drawer side **7**.

**Note:** Turn the locking nuts **E** clockwise to secure panels - more than 1/2 a turn.

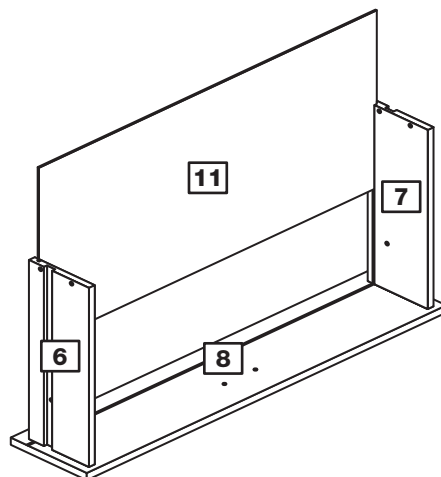


# Assembly Instructions

## Step 4

### Fit the drawer base

Slide the drawer base **11** down the grooves in the drawer sides **6** and **7** and down into the groove in the drawer front **8**.



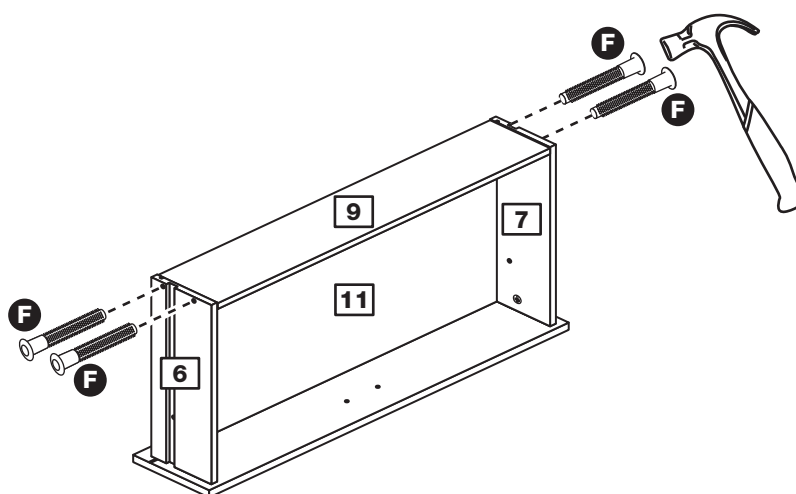
## Step 5

### Fit the drawer back

Fit the drawer back **9** between the drawer sides **6** and **7**.

Make sure that the drawer base **11** fits into the groove in the drawer back **9**.

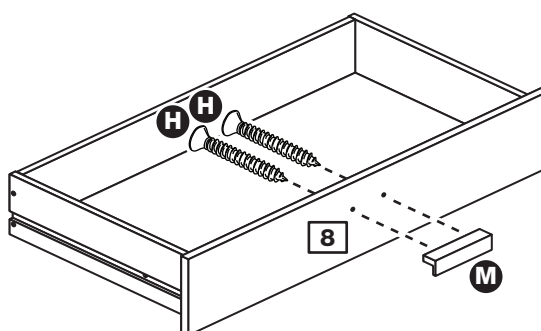
Hold the drawer back **9** in position and tap the knock-in pegs **F** through the holes in the drawer sides **6** and **7**.



## Step 6

### Attach the handle

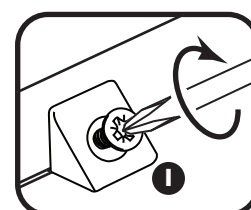
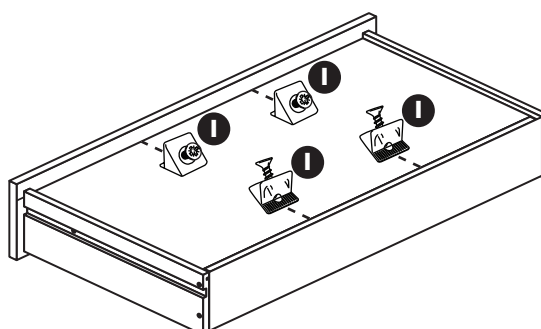
Attach a handle **M** to the drawer front **8** using 2 screws **H**.



## Step 7

### Fit the wedgexes

Turn the drawer assembly over and slide 4 wedgexes **I** into the front and back grooves, as shown, and tighten up the screws.



# Assembly Instructions

## Step 8

### Prepare left side

**a:** Place drawer runner **Q** on the left side **1**. Slide back top of runner and use 1st hole from the front to fit 1st screw **L**.

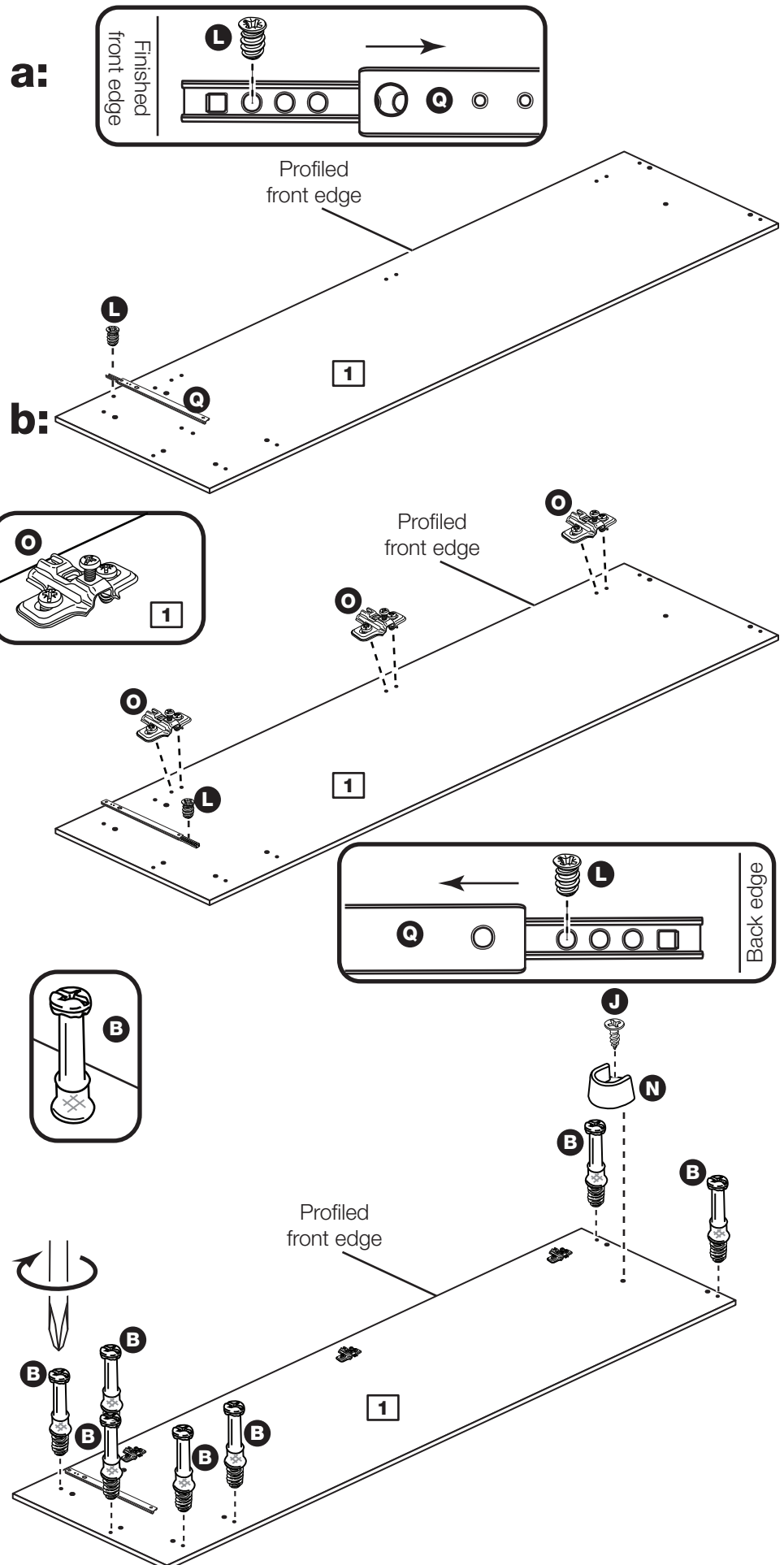
**b:** Slide runner back the other way and fit the 2nd screw **L** into the corresponding hole in the left side **1**.

Fit 3 hinge plates **O** onto the left side **1**, making sure that the slot is facing towards the finished front edge.

Screw 7 metal dowels **B** into the left side **1**.

**Note:** Tighten the metal dowels up fully against the panels.

Push a rail holder **N** into the left side **1**. Make sure that it is fitted straight, in line with the panel edges and then secure with screw **J**.



# Assembly Instructions

## Step 9

### Prepare right side

**a:** Place drawer runner **Q** on the right side **2**. Slide back top of runner and use 1st hole from the front to fit 1st screw **L**.

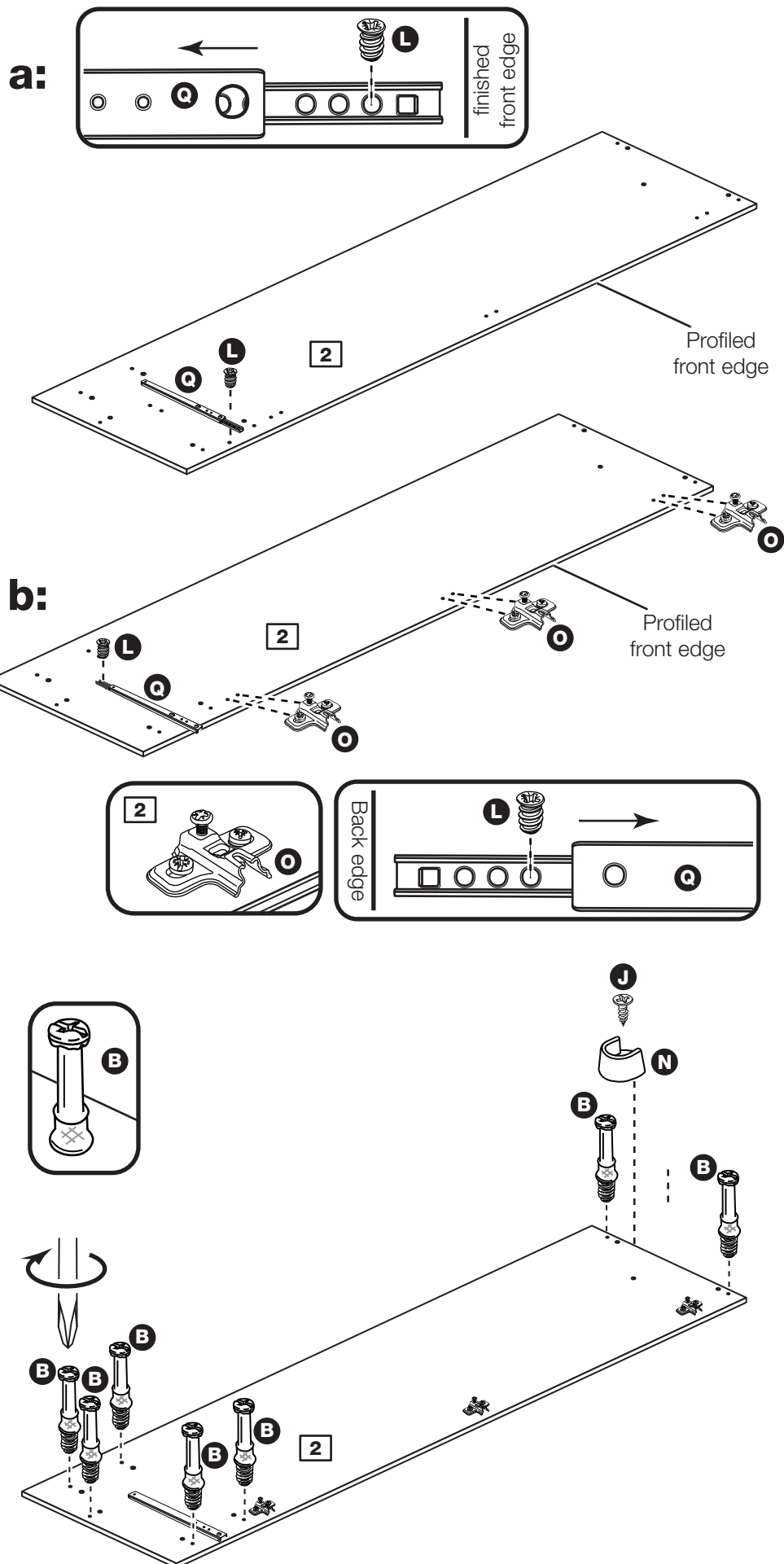
**b:** Slide runner back the other way and fit the 2nd screw **L** into the corresponding hole in the left side **2**.

Fit 3 hinge plates **O** onto the right side **2**, making sure that the slot is facing towards the finished front edge.

Screw 7 metal dowels **B** into the right side **2**.

**Note:** Tighten the metal dowels up fully against the panels.

Push a rail holder **N** into the right side **2**. Make sure that it is fitted straight, in line with the panel edges and then secure with screw **J**.





# Assembly Instructions

## Step 10

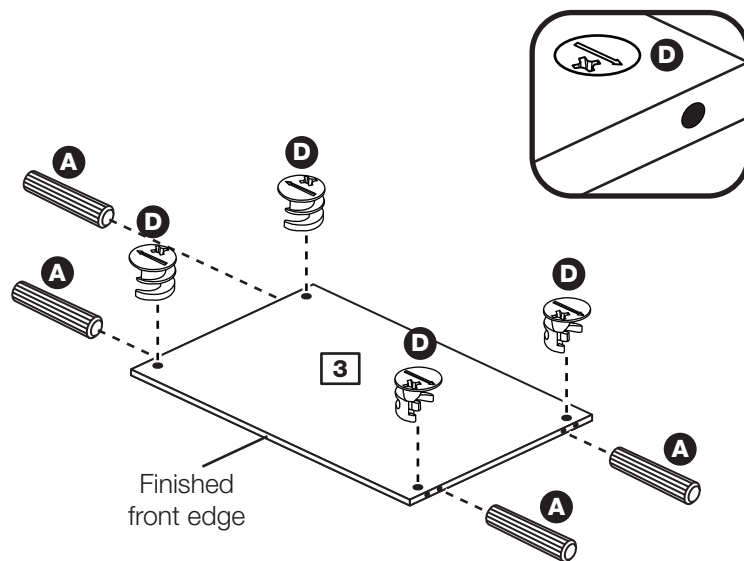
### Prepare the top

Tap 4 wooden dowels **A** into the top **3**.

**Note:** Wooden dowels **must not** stick out from the edge by more than 10mm or they may damage other panels.

Insert 4 large locking nuts **D** into the top **3**.

**Note:** The arrow on the locking nut **must** point towards the hole in the edge of the panel.

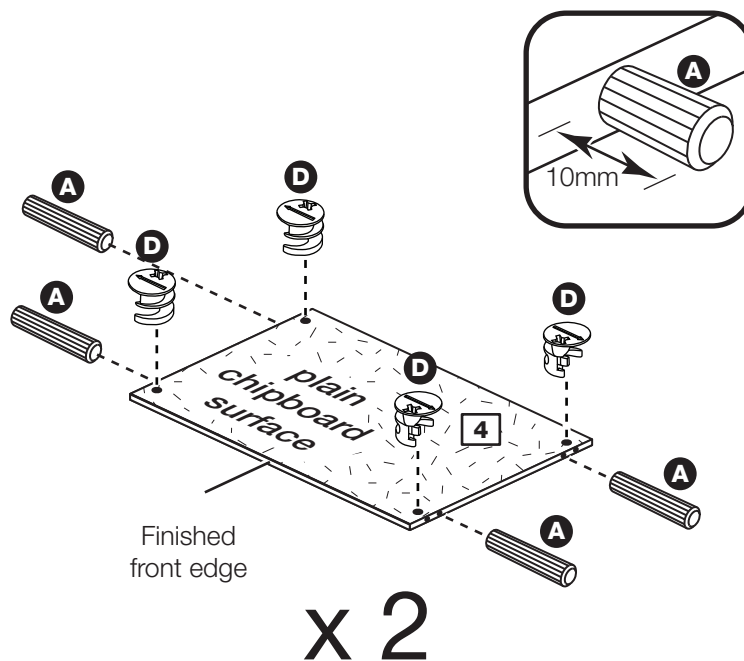


## Step 11

### Prepare the base panels

Tap 4 wooden dowels **A** into each of the 2 bases **4**.

Insert 4 large locking nuts **D** into each of 2 bases **4**.

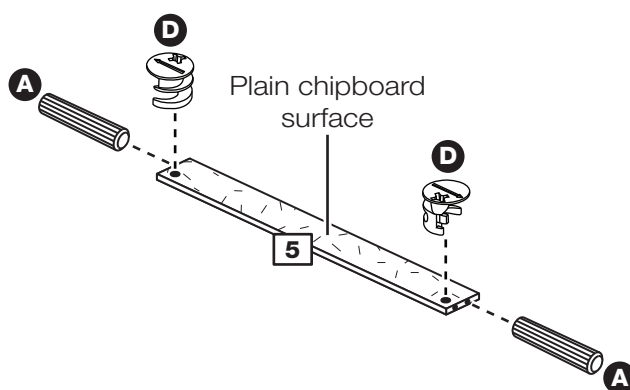


## Step 12

### Prepare the plinth

Tap 2 wooden dowels **A** into the plinth **5**.

Insert 2 large locking nuts **D** into the plinth **5**.



# Assembly Instructions

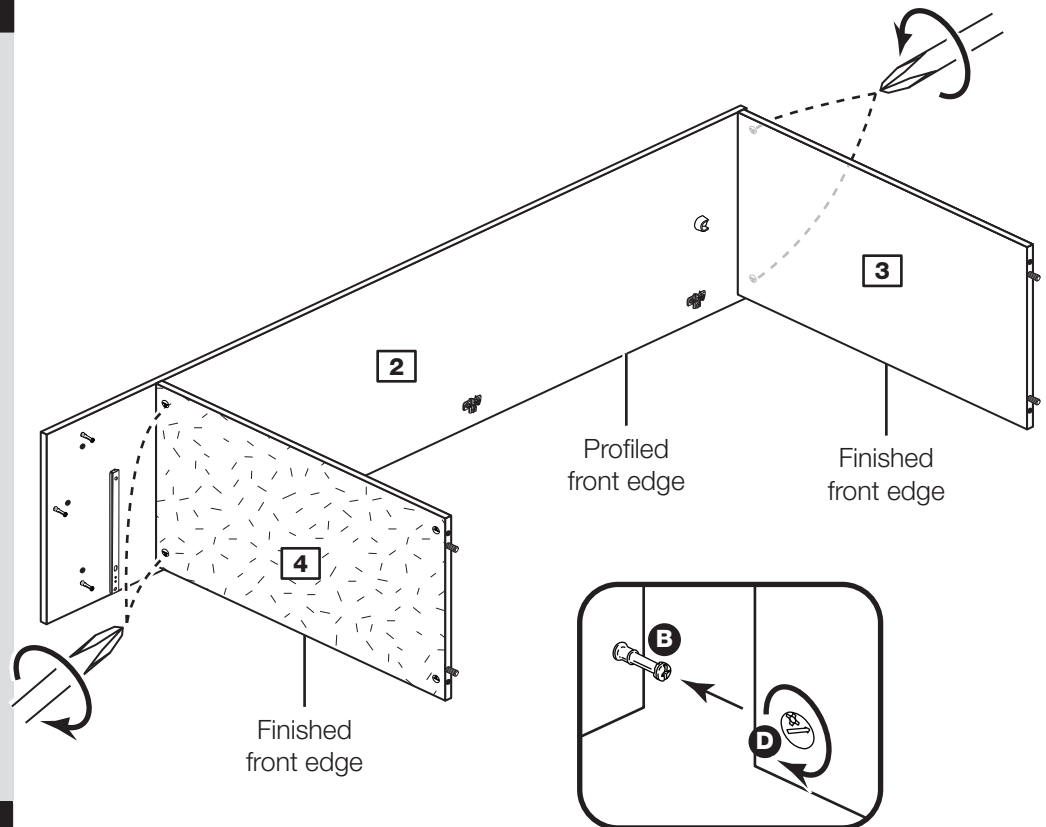
## Step 13

### Fit the top and a base to the right side

Push the top **3** and 1 base **4** onto the right side **2** as shown.

Use a screwdriver to tighten the 4 large locking nuts **D** fitted to the top **3** and base **4**.

**Note:** Turn the large locking nuts **D** as far as they will go - more than 1/2 a turn.



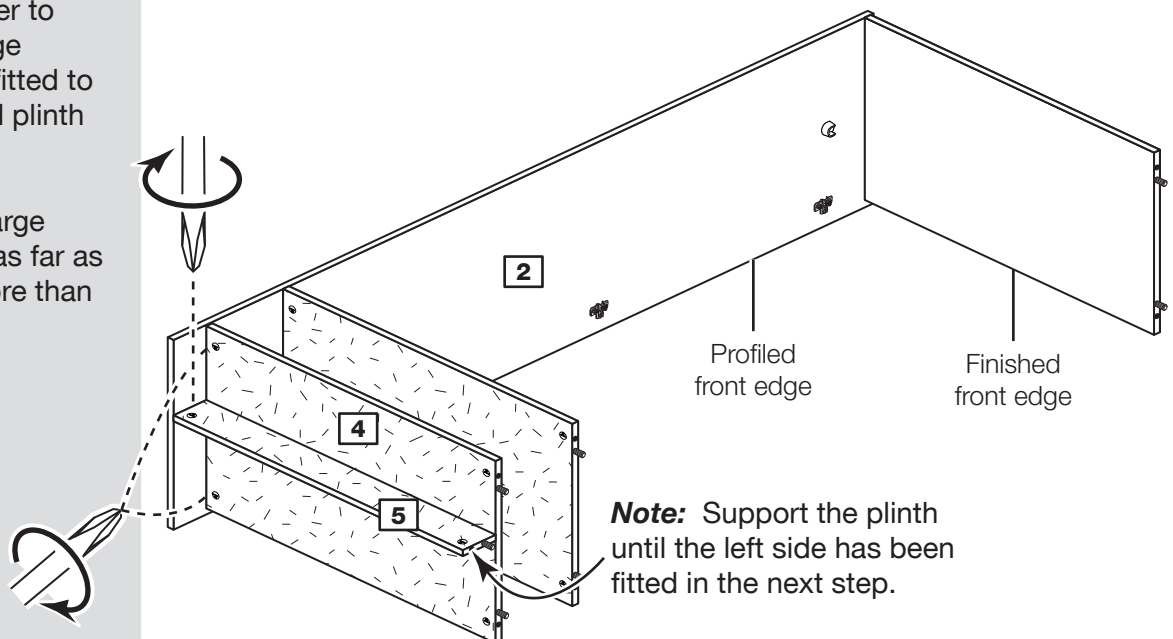
## Step 14

### Fit the other base and the plinth to the right side

Push the other base **4** and the plinth **5** onto the right side **2** as shown.

Use a screwdriver to tighten the 3 large locking nuts **D** fitted to the base **4** and plinth **5**.

**Note:** Turn the large locking nuts **D** as far as they will go - more than 1/2 a turn.



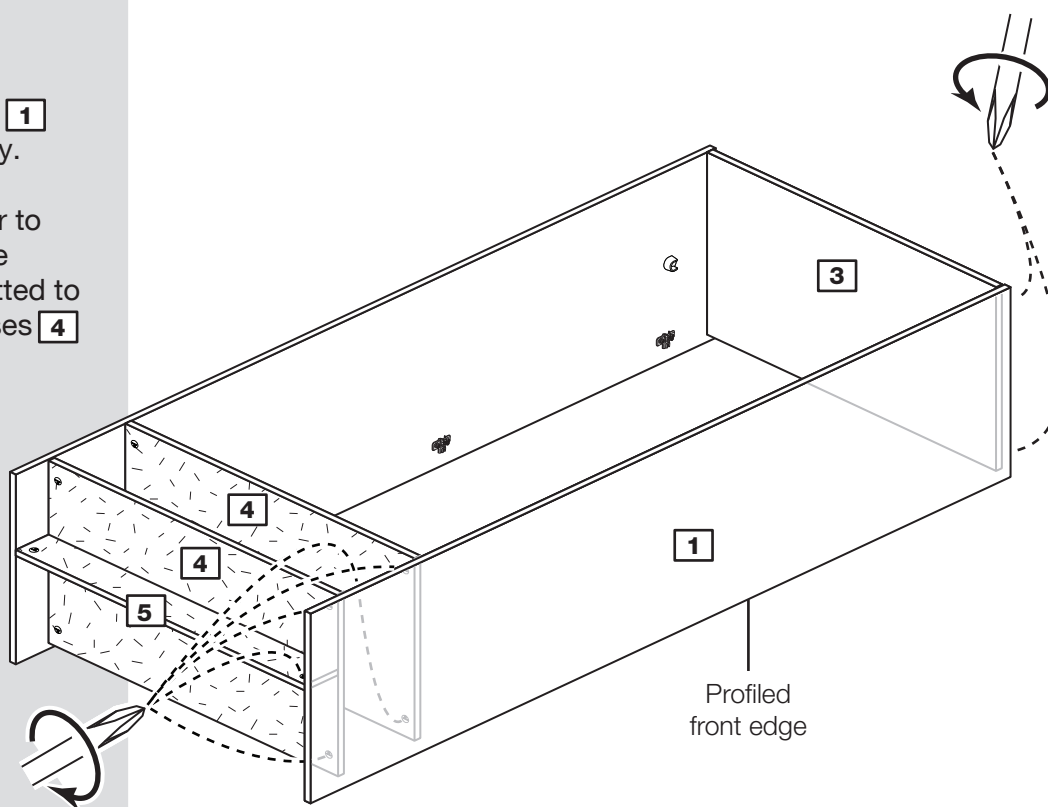
# Assembly Instructions

## Step 15

### Fit the left side

Push the left side **1** onto the assembly.

Use a screwdriver to tighten the 7 large locking nuts **D** fitted to the top **3**, 2 bases **4** and plinth **5**.



## Step 16

### Fit the back

**a:** Square up the unit by making sure that measurement **x to x** equals **y to y**.

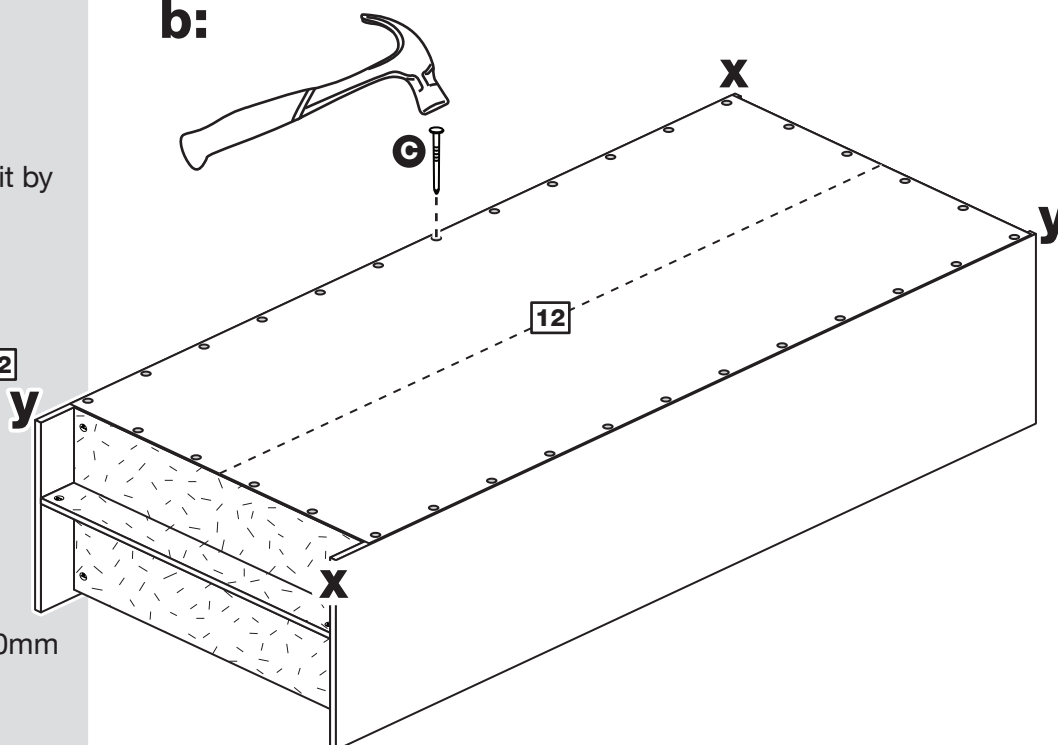
**b:** Place the back **12** onto the unit.

Nail **C** around the outside edges of the back **12**.

**Note:** Nails should be spaced about 150mm apart.

**a:** The measurement from top corner X to bottom corner X must be equal to the measurement from top corner Y to bottom corner Y

**b:**



# Assembly Instructions

## Step 17

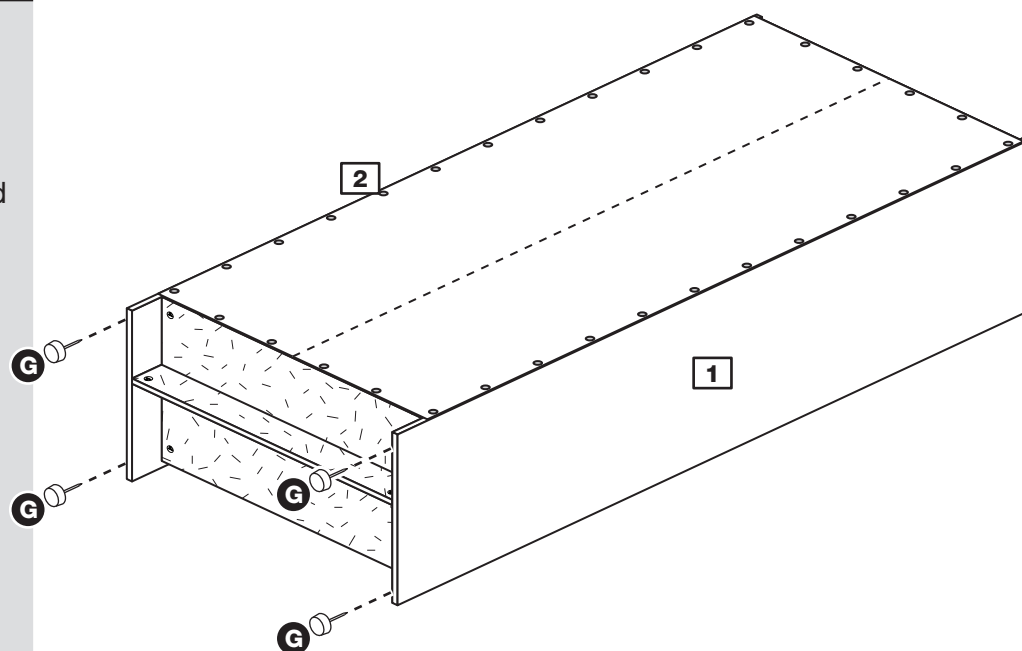
### Fit the 4 plastic nails

Tap 2 plastic nails **G** into the bottom edge of each of the sides **1** and **2**.

Stand the unit up for the next step.



**Warning:** The unit is heavy. Lift with care.



## Step 18

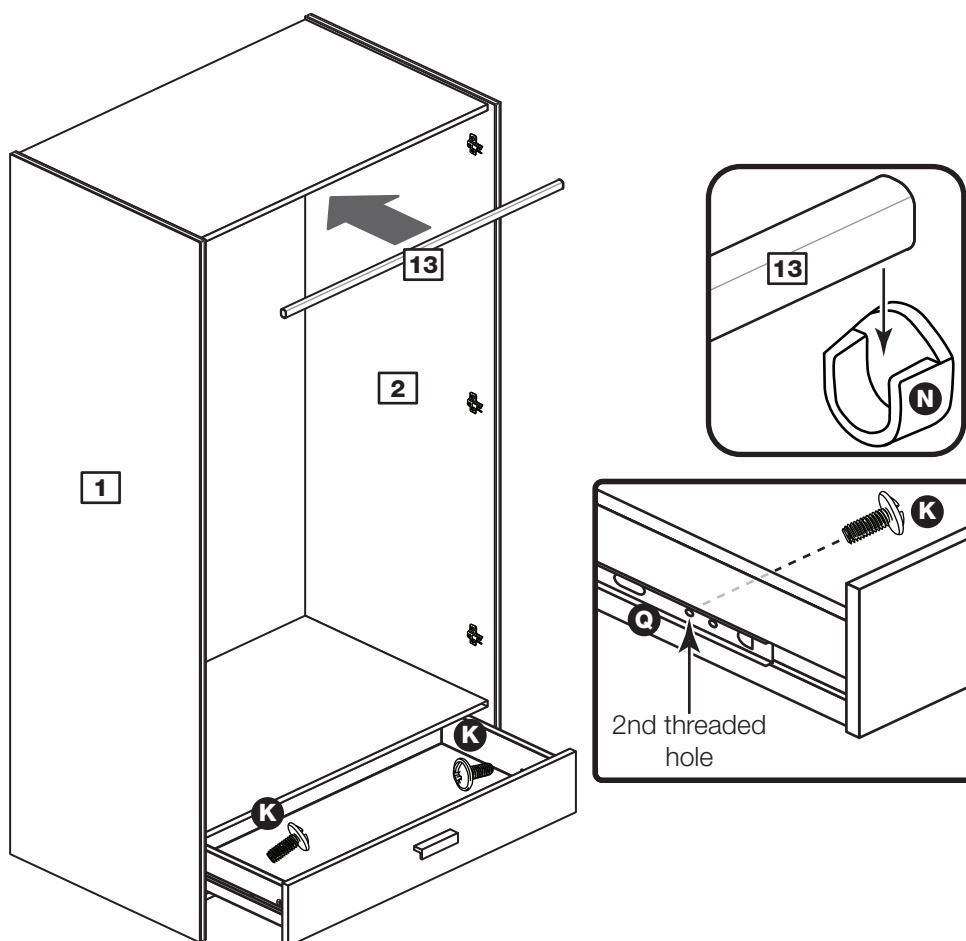
### Fit the hanging rail and drawer

Push the hanging rail **13** into the rail holders **N** fitted to the left side **1**, and right side **2**.

Slide both the runners **Q** forward and locate the drawer sides **6** and **7** between them, lining up the holes in the drawer wrap with the 2nd 'threaded' holes in the runners **Q**.

Working from the inside of the drawer, insert 2 screws **K** through the wrap and out into the 2nd threaded hole in the runner.

**Note:** Do not over-tighten the screws **K**. If they catch on the runner you may need to loosen them slightly.



# Assembly Instructions

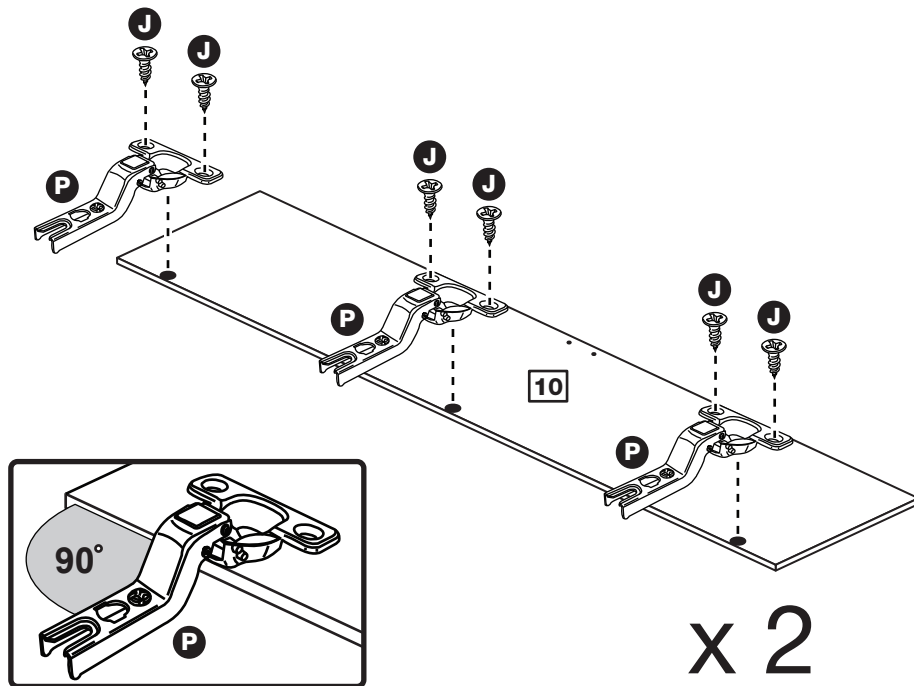
## Step 19

### Prepare the doors

Push fit 3 hinges **P** into each door **10**.

Secure each hinge with 2 screws **J**.

**Note:** Before securing with the screws, make sure that the hinges are positioned at 90 degrees with the edge of the door.



# Assembly Instructions

## Step 20

### Fit doors and handles

**Note:** The easiest way to attach each door **10** is to fit the top hinge first, then align and fit the other hinges.

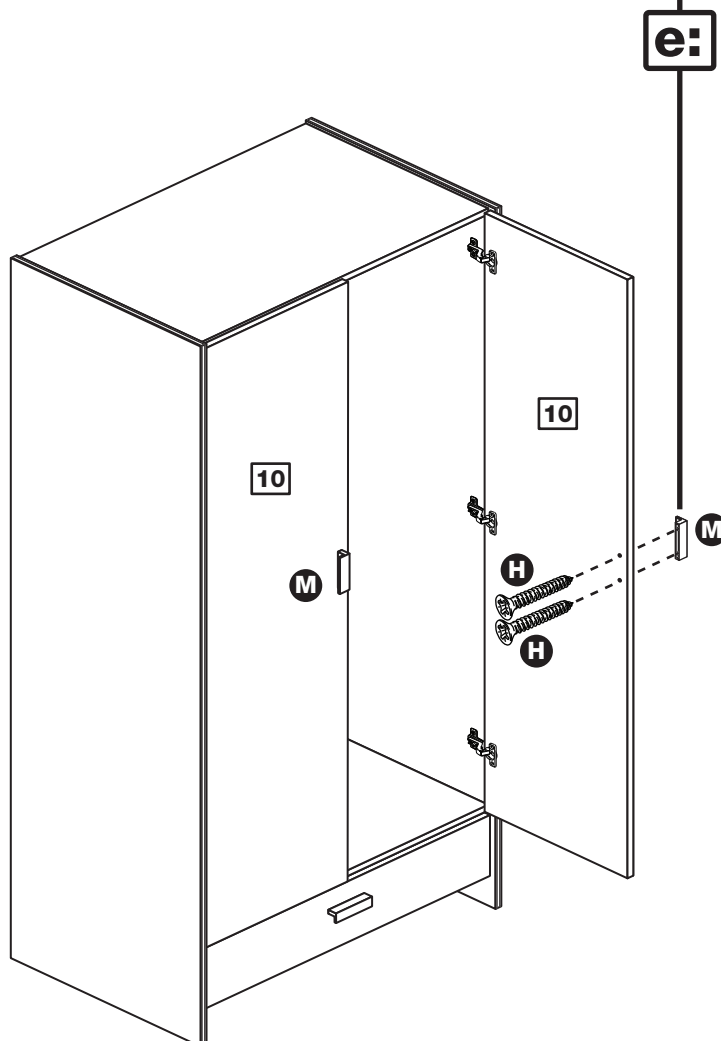
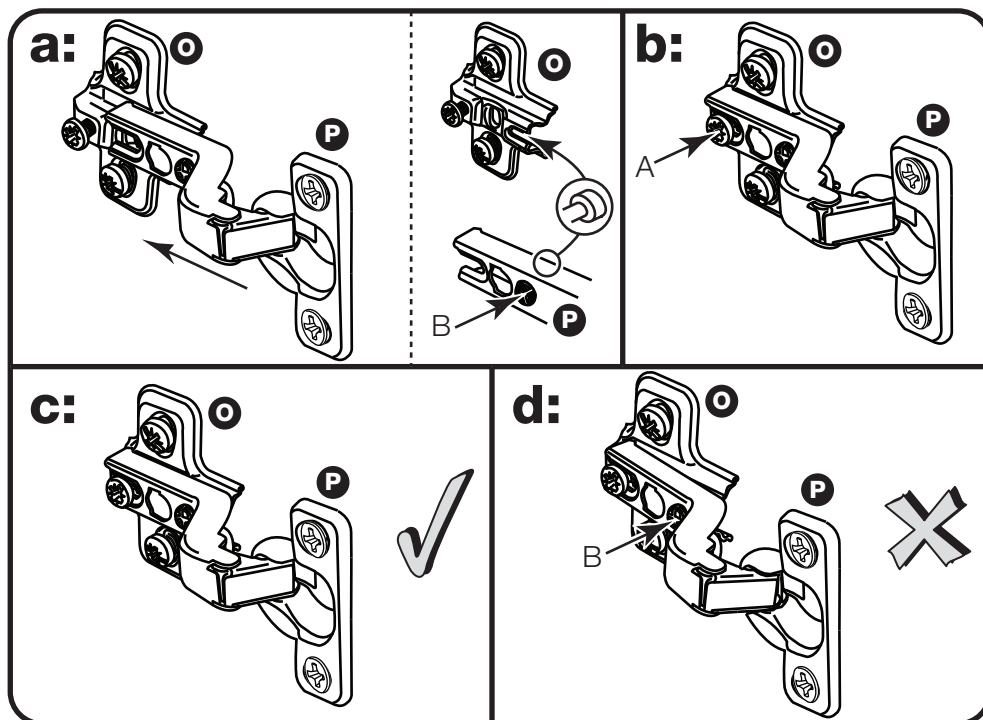
**a:** Push the hinge **P** onto the front part of the hinge plate **O**. The recess at the bottom of screw B goes into the slot in the hinge plate.

**b:** Keep the hinge **P** FLAT against the hinge plate **O** as you slide it across as far as it will go. Tighten screw A.

**c:** The hinge **P** must be flat against the hinge plate **O** prior to any adjustment.

**d:** The hinge **P** must NOT be AT AN ANGLE to the hinge plate **O** when assembled. This would indicate that the recess at the bottom of screw B had not located in the slot in the hinge plate and the hinge would not be secure. Remove the hinge from the hinge plate and then re-assemble being careful to follow instructions a-c.

**e:** Attach a handle **M** to each door **10** using 2 screws **H**.



# Assembly Instructions

## Step 21

### Adjust the doors if needed

**a:** Before adjusting the doors, use a spirit level to check the base (or top) of the unit is level, front-to-back and side-to-side in the 3 positions shown. Use suitable packing pieces (not supplied) to make the unit level BEFORE making any adjustment to the hinges, as shown.

### **b:** Height adjustment.

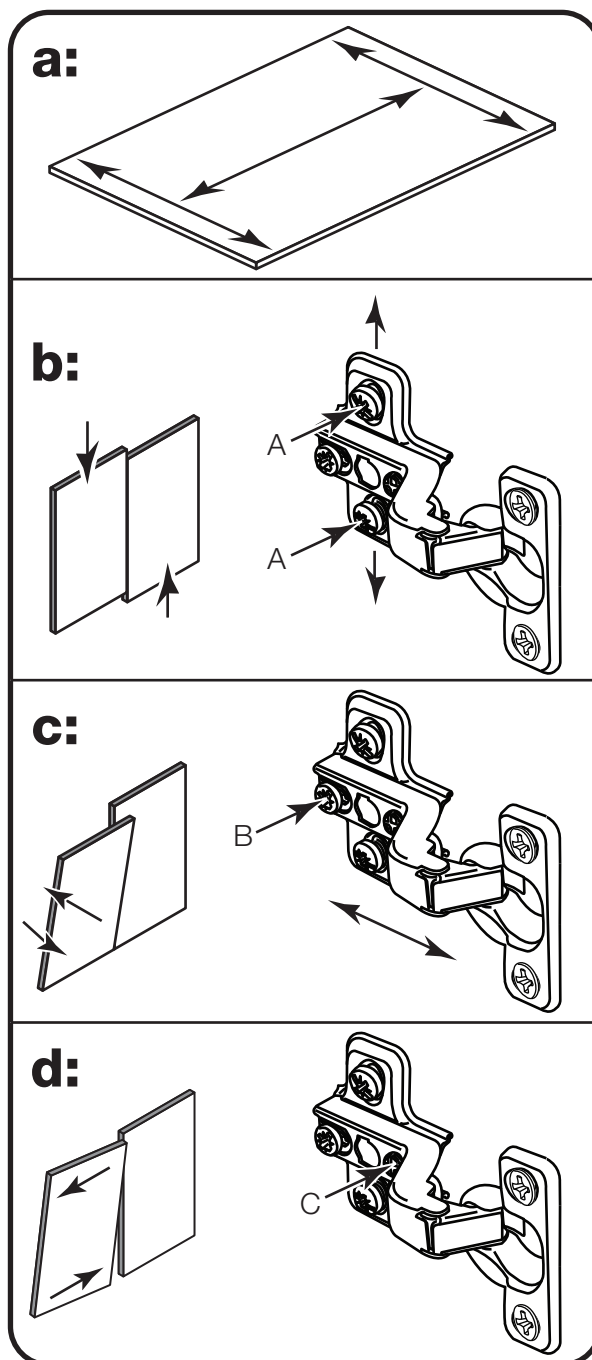
Loosen screws A on hinge plates and move door up or down as required. Retighten screw A.

### **c:** Forward and Back adjustment.

Loosen screw B on hinge plate and move door in or out as required. Retighten screw B.

### **d:** Sideways adjustment.

To move door 'out' loosen screw C. To move door 'in' tighten screw C.



# Assembly Instructions

## Step 22

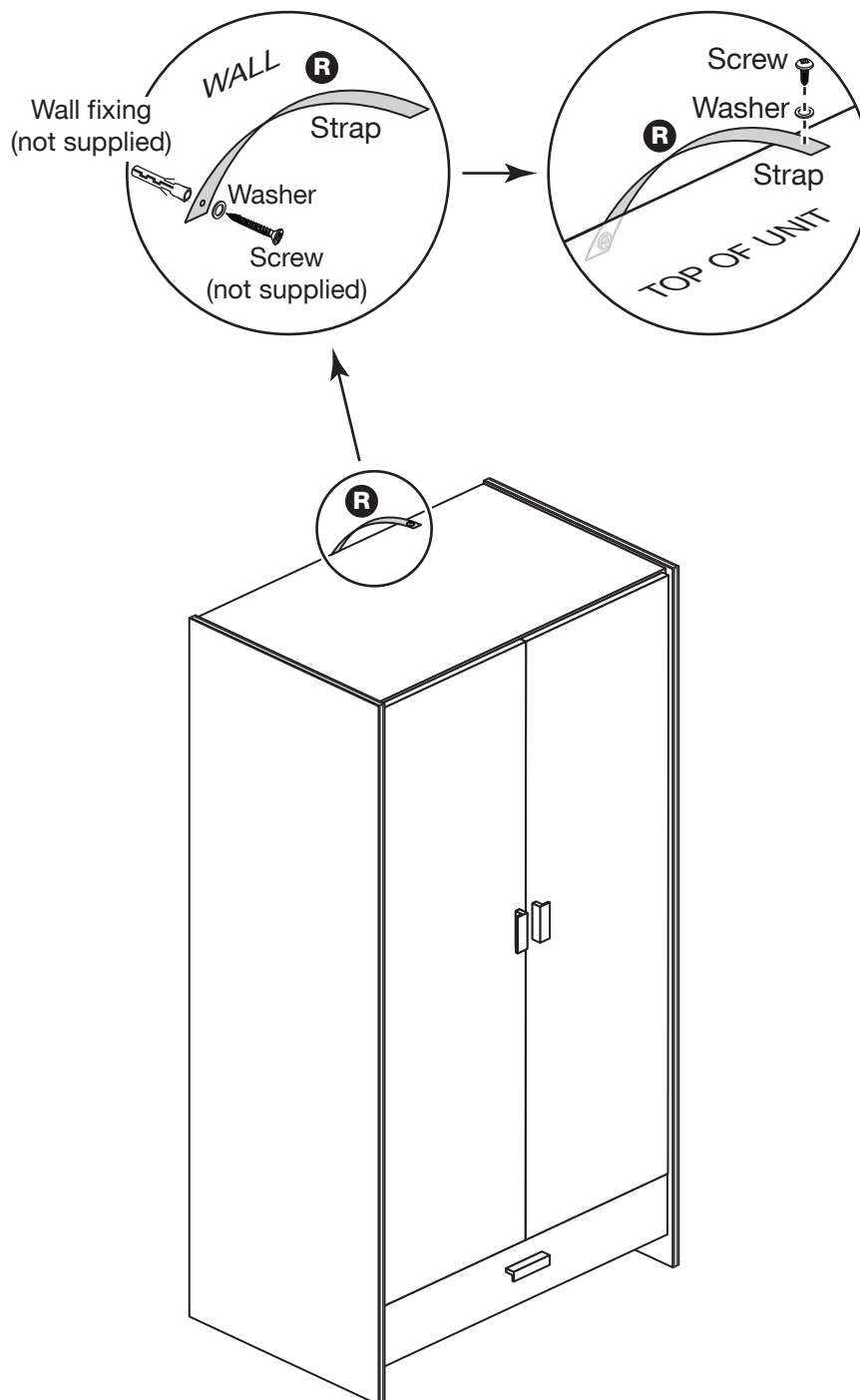
### Fit the overbalance protector

To prevent possible overbalancing we recommend that this unit is secured to a suitable wall by fitting of the overbalance protector kit **(R)** to the unit, or an alternative fixing method of your choice.

Wall fixings are not supplied as they will need to suit the wall type.

**Note:** Take care when drilling the wall that you do not drill into any pipes, wires etc. If in doubt, consult an expert.

**Assembly is complete**



If you need help or have damaged or missing parts, call the Customer Helpline: 08456 400800 and quote the reference numbers on the component pages.

Argos Ltd, 489-499 Avebury Boulevard, Central Milton Keynes, MK9 2NW