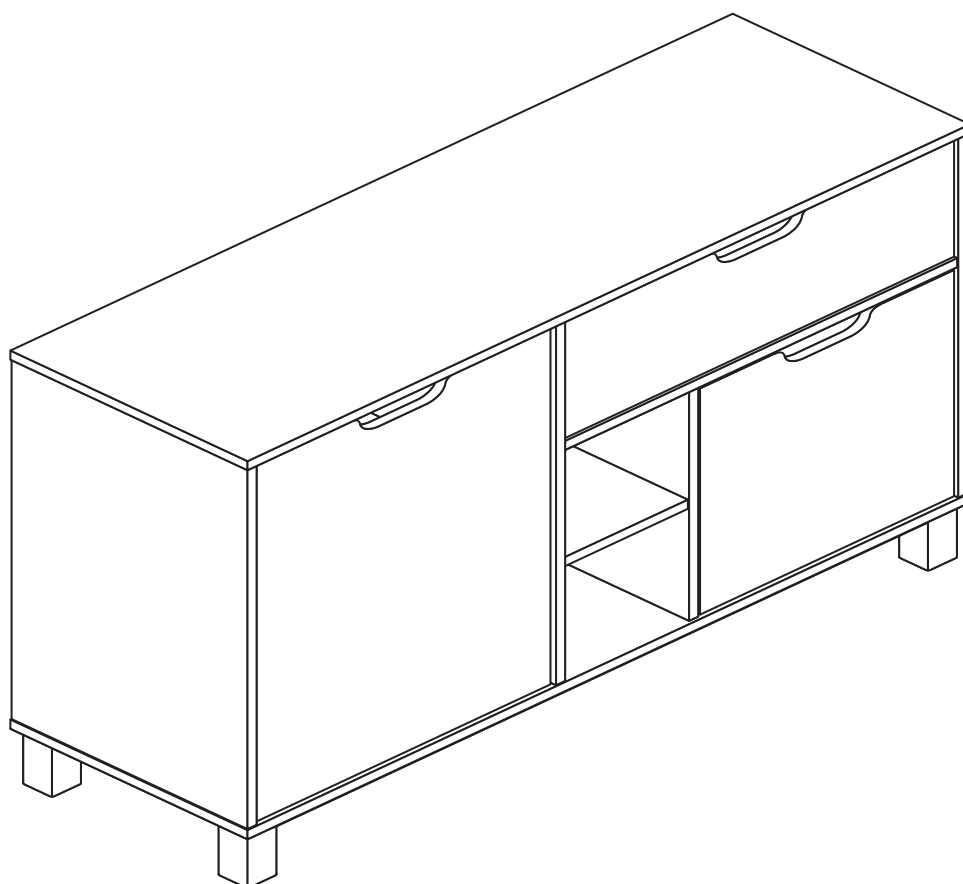


Retro Pedestal - Sideboard

Assembly Instructions - Please keep for future reference

343/7395



Dimensions

Width - 119.5cm

Depth - 39.5cm

Height - 70cm



**MADE IN
BRITAIN**

Important - Please read these instructions fully before starting assembly

If you need help or have damaged or missing parts, call the **Customer Helpline: 08456 400800**



Safety and Care Advice

Important - Please read these instructions fully before starting assembly

- **Warning:** This unit weighs approximately 34kgs. Please lift with care.
- Check you have all the components and tools listed on pages 1, 2 and 3.
- Remove all fittings from the plastic bags and separate them into their groups.
- Keep children and animals away from the work area, small parts could choke if swallowed.
- Parts of the assembly will be easier with 2 people.

- Make sure you have enough space to layout the parts before starting.
- Do not stand or put weight on the product, this could cause damage.
- Assemble the item as close to its final position (in the same room) as possible.
- Assemble on a soft level surface to avoid damaging the unit or your floor (use opened out unit carton).



• We do not recommend the use of power drill/drivers **for inserting screws**, as this could damage the unit. Only use hand screwdrivers.

• **Safety note:** It is recommended that this unit is secured to a wall using the overbalance kit supplied.

• Dispose of all packaging carefully and responsibly.

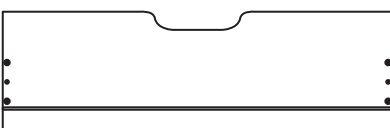
Care and maintenance

- Only clean using a damp cloth and mild detergent, do not use bleach or abrasive cleaners.
- From time to time check that there are no loose screws on this unit.
- This product should not be discarded with household waste. Take to your local authority waste disposal centre.

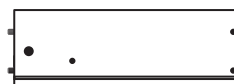
Components - Panels

If you have damaged or missing components, call the **Customer Helpline: 08456 400800** quoting the reference numbers below

Please check you have all the panels listed on pages 1 and 2



1 Drawer Front (DF1106)
(644 x 194mm)



2 Left Drawer Side (W370-124LH)
(370 x 124mm)



3 Right Drawer Side (W370-124RH)
(370 x 124mm)



4 Drawer Back (W618-124)
(618 x 124mm)



5 Drawer Base (T629-367)
(629 x 367mm)

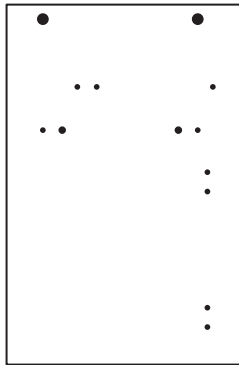
Components - Panels

If you have damaged or missing components, call the **Customer Helpline: 08456 400800** quoting the reference numbers below

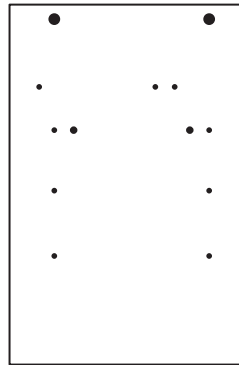
Please check you have all the panels listed on pages 1 and 2



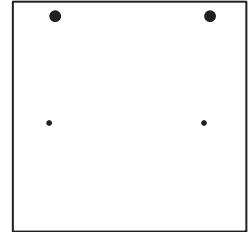
6 Left Side (DF1098)
(595 x 390mm)



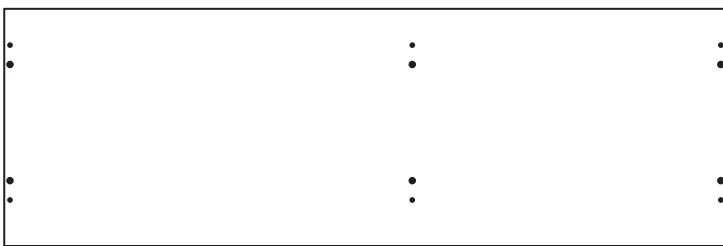
7 Right Side (DF1099)
(595 x 390mm)



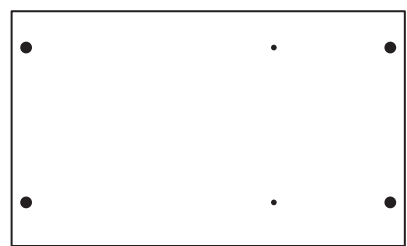
8 Divider (DF1100)
(595 x 390mm)



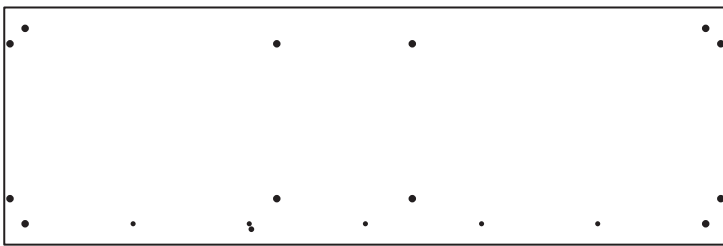
9 Short Divider (DF1102)
(380 x 386mm)



10 Top (DF1097)
(1194 x 392mm)



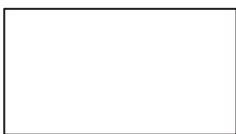
11 Cross Divider (DF1101)
(650 x 388mm)



12 Base (DF1108)
(1194 x 392mm)



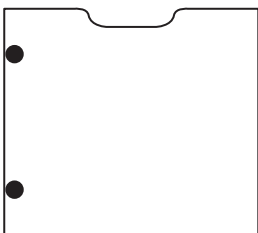
13 Large Shelf (DF1490)
(495 x 367mm)



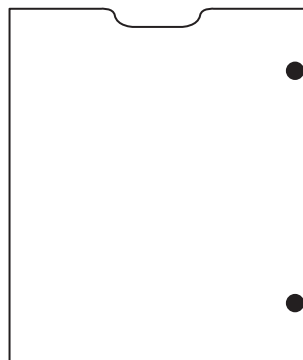
14 Small Shelf (DF1103)
(208 x 384mm)



15 Rail (DF1095)
(1075 x 60mm)



16 Small Door (DF1105)
(374 x 420mm)



17 Large Door (DF1104)
(589 x 489mm)



18 Back (X1186-621)
(1186 x 621mm)

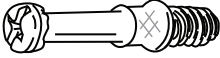



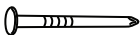




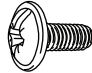


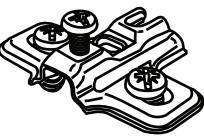
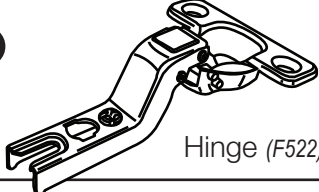
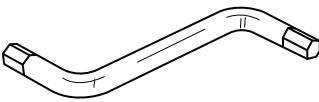

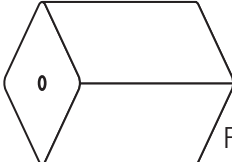

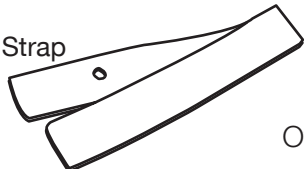




Components - Fittings

If you have damaged or missing components, call the **Customer Helpline: 08456 400800** quoting the reference numbers below

Please check you have all the fittings listed below

Note: The quantities below are the correct amount to complete the assembly. In some cases more fittings may be supplied than are required.

<p>A  Metal dowel (F901) x 14</p>	<p>B  Small locking nut (F3) x 2</p>	<p>C  Large locking nut (F900) x 12</p>
<p>D  Wooden dowel (F22) x 10</p>	<p>E  Nail (F51) x 24</p>	<p>F  Knock-in Peg (F171GY) x 4</p>
<p>G  50mm Screw (F49) x 12</p>	<p>H  25mm Screw (F281) x 5</p>	<p>I  9mm Screw (F73) x 4</p>
<p>J  9mm Screw (F74) x 2</p>	<p>K  13mm Screw (F63) x 8</p>	<p>L  Wedgefix (F639) x 4</p>
<p>M  Hinge plate (F523) x 4</p>	<p>N  Hinge (F522) x 4</p>	<p>O  Allen Key (F36) x 1</p>
<p>P  Drawer runner (F1004) x 2</p>	<p>Q  Foot (???) x 4</p>	
<p>R  Shelf stud (F110) x 9</p>	<p>S  Strap  Screw  Washer x 2 Overbalance protector kit (F269) x 1</p>	

Tools required

Rule

Cross-head screwdriver

Scissors

Hammer

Eye protection (when using a hammer or drill)

Electric drill (do not use for fitting screws)

Ruler - Use this ruler to help correctly identify the screws



Assembly Instructions

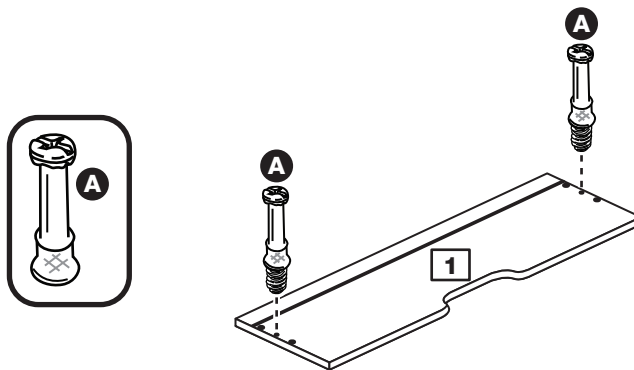
If you have damaged or missing components, call the
Customer Helpline: 08456 400800 quoting the reference
numbers below

Step 1

Prepare the drawer front

Screw 2 metal dowels **A** into the drawer front **1**.

Note: Tighten the metal dowels up fully against the panels.

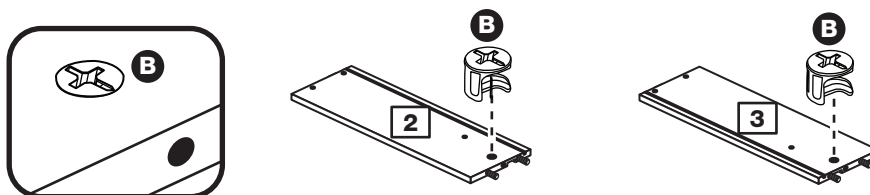


Step 2

Prepare the drawer sides

Insert a small locking nut **B** into the hole shown on the left drawer side **2** and the right drawer side **3**.

Note: The arrow on the locking nut **must** point towards the hole in the edge of the panel.



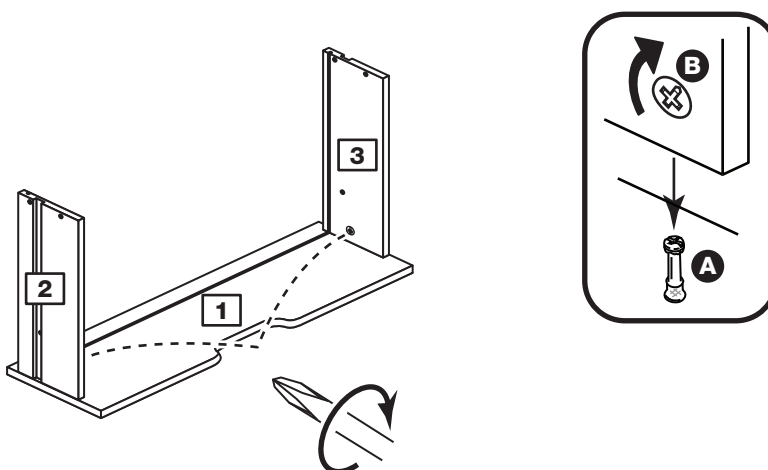
Step 3

Attach the drawer sides to the drawer front

Push the left drawer sides **2** and right drawer sides **3** onto the back of the drawer fronts **1**.

Turn the small locking nuts **B** on the left drawer side **2** and right drawer side **3**.

Note: Turn the locking nuts **B** clockwise to secure panels - more than 1/2 a turn.

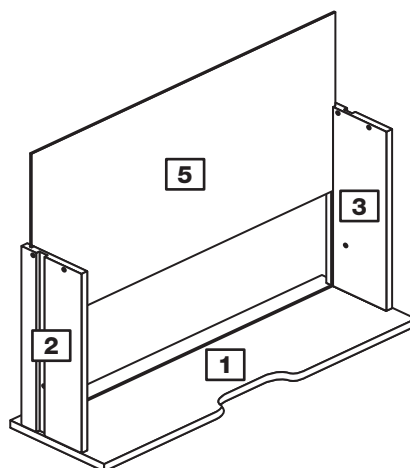


Assembly Instructions

Step 4

Fit the drawer base

Slide the drawer base **5** down the grooves in the drawer sides **2** and **3** and down into the groove in the drawer front **1**.

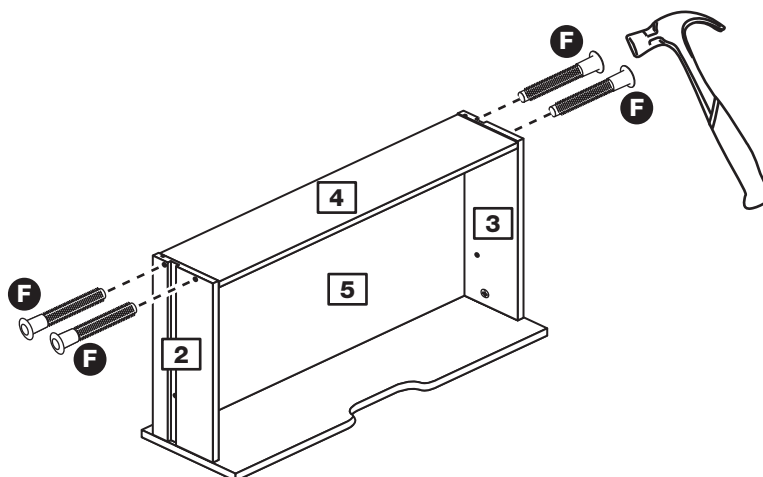


Step 5

Fit the drawer back

Fit the drawer back **4** between the drawer sides **2** and **3**. Make sure that the drawer base **5** fits into the groove in the drawer back **4**.

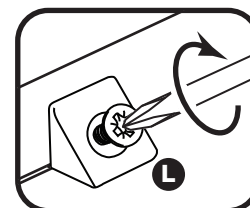
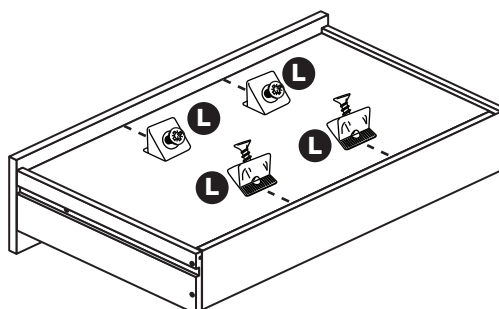
Hold the drawer back **4** in position and tap the knock-in pegs **F** through the holes in the drawer sides **2** and **3**.



Step 6

Fit the wedgifixes

Turn the drawer assembly over and slide 4 wedgifixes **L** into the front and back grooves, as shown, and tighten up the screws.



Assembly Instructions

Step 7

Prepare the right side

a: Tap 2 wooden dowels **D** into the right side **7**.

Note: Wooden dowels **must not** stick out from the edge by more than 10mm or they may damage other panels.

Place a runner **P** on the right side **7** as shown. Slide back the top of runner and use the 2nd hole from the front to fit the 1st screw **I**.

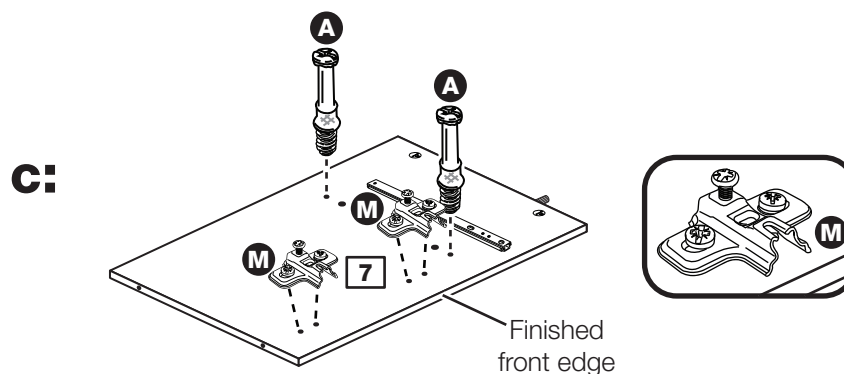
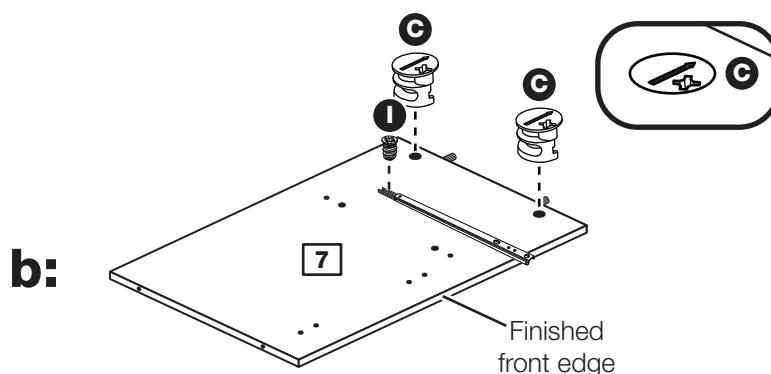
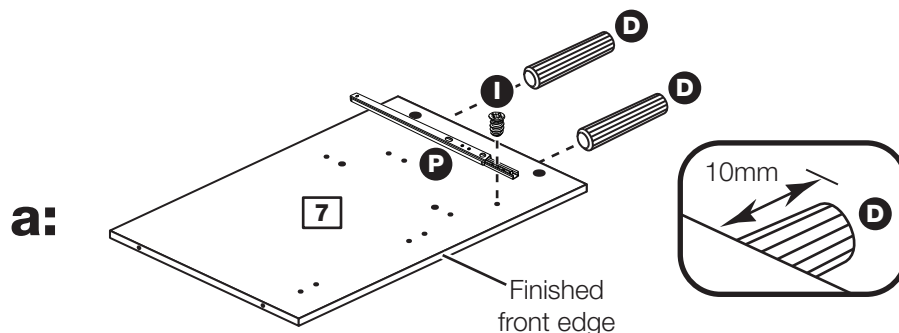
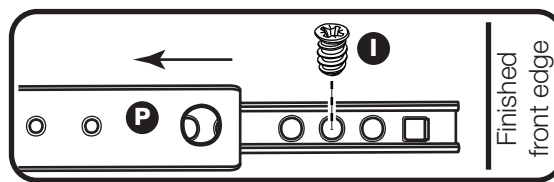
b: Slide the runner **P** back the other way and fit the 2nd screw **I** into the corresponding hole in the right side **7**.

Insert 2 large locking nuts **C** into the right side **7**.

Note: The arrow on the locking nut **must** point towards the hole in the edge of the panel.

c: Screw 2 metal dowels **A** into the right side **7**.

Fit 2 hinge plates **M** onto the right side **7**, making sure that the slot is facing towards the finished front edge.



Assembly Instructions

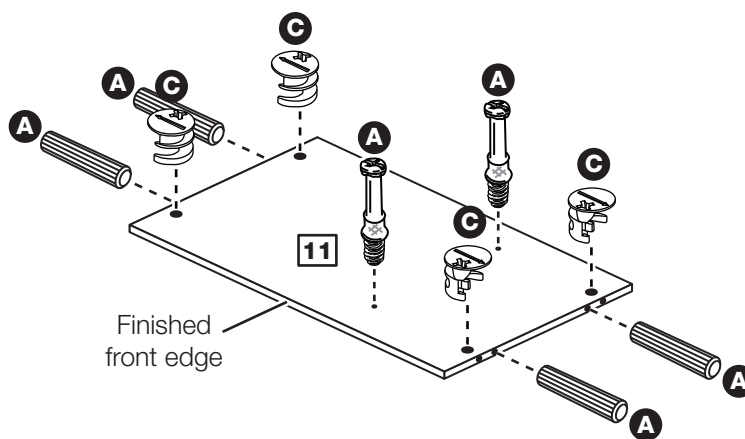
Step 8

Prepare the cross divider

Tap 4 wooden dowels **A** into the cross divider **11**.

Insert 4 large locking nuts **C** into the cross divider **11**.

Screw 2 metal dowels **A** into the cross divider **11**.



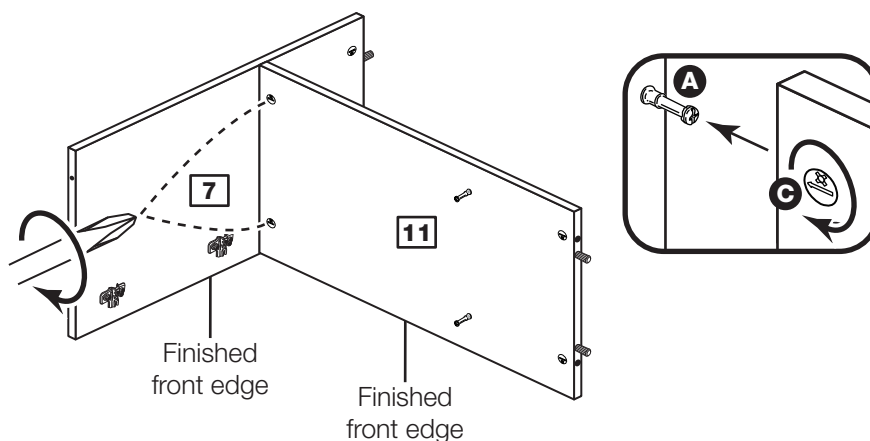
Step 9

Fit the cross divider to the right side

Push the cross divider **11** onto the right side **7**.

Use a screwdriver to tighten the 2 large locking nuts **C** fitted to the cross divider **11**.

Note: Turn the large locking nuts **C** as far as they will go - more than 1/2 a turn.



Assembly Instructions

Step 10

Prepare the divider

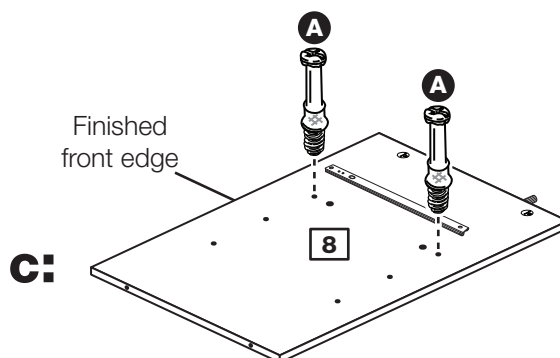
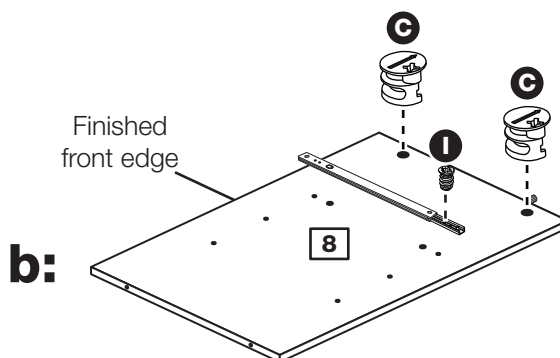
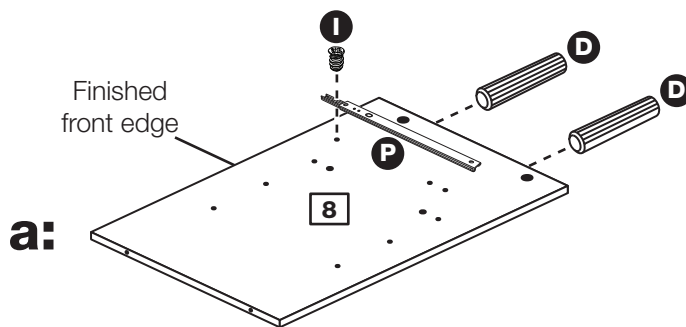
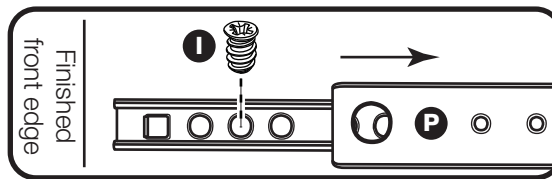
a: Tap 2 wooden dowels **D** into the divider **8**.

Place a runner **P** on the divider **8** as shown. Slide back the top of runner and use the 2nd hole from the front to fit the 1st screw **I**.

b: Slide the runner **P** back the other way and fit the 2nd screw **I** into the corresponding hole in the divider **8**.

Insert 2 large locking nuts **C** into the divider **8**.

c: Screw 2 metal dowels **A** into the divider **8**.



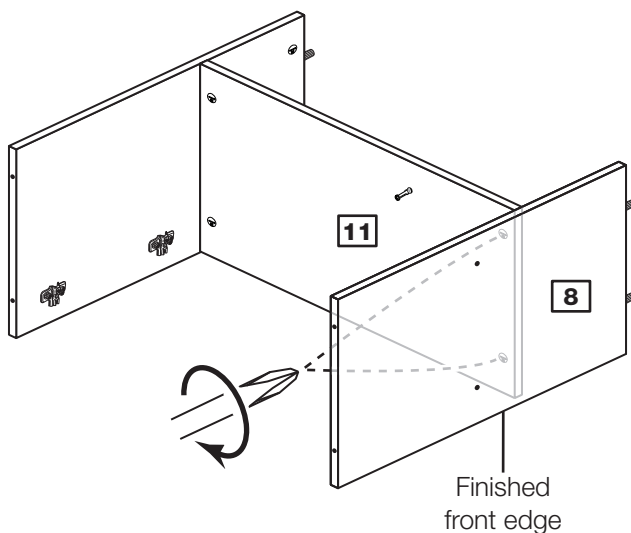
Assembly Instructions

Step 11

Fit the divider

Push the divider **8** onto the cross divider **11**.

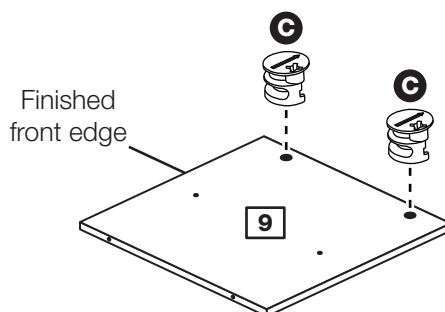
Use a screwdriver to tighten the 2 large locking nuts **C** fitted to the cross divider **11**.



Step 12

Prepare the short divider

Insert 2 large locking nuts **C** into the short divider **9**.

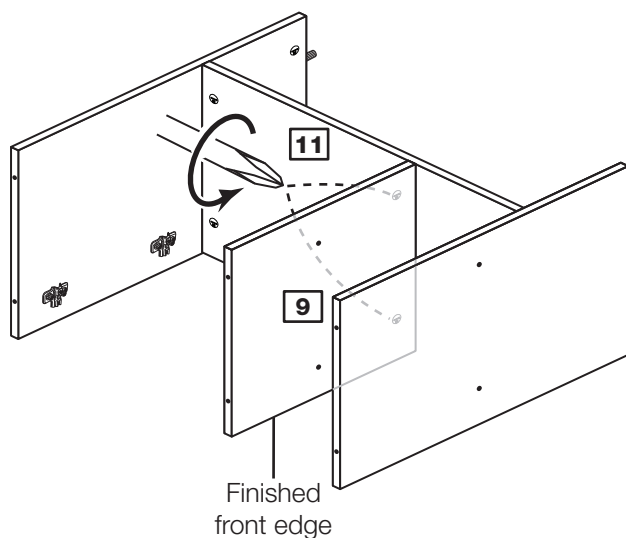


Step 13

Fit the short divider

Push the short divider **9** onto the cross divider **11**.

Use a screwdriver to tighten the 2 large locking nuts **C** fitted to the short divider **9**.

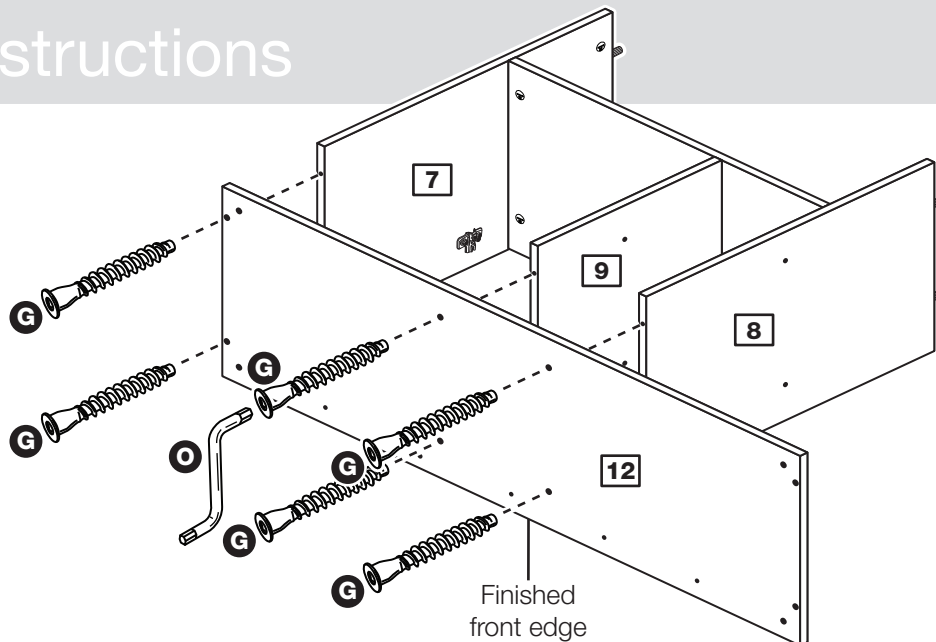


Assembly Instructions

Step 14

Fit the base

Attach the base **12** to the right side **7**, the divider **8** and the short divider **9** using 6 screws **G** and tighten them using the allen key **O**.



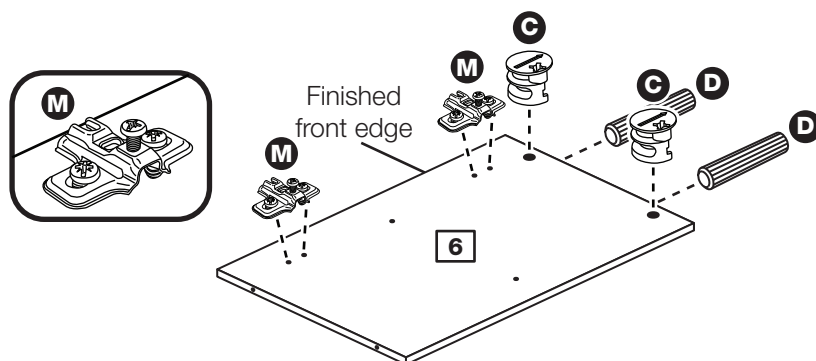
Step 15

Prepare the left side

Tap 2 wooden dowels **D** into the left side **6**.

Insert 2 large locking nuts **C** into the left side **6**.

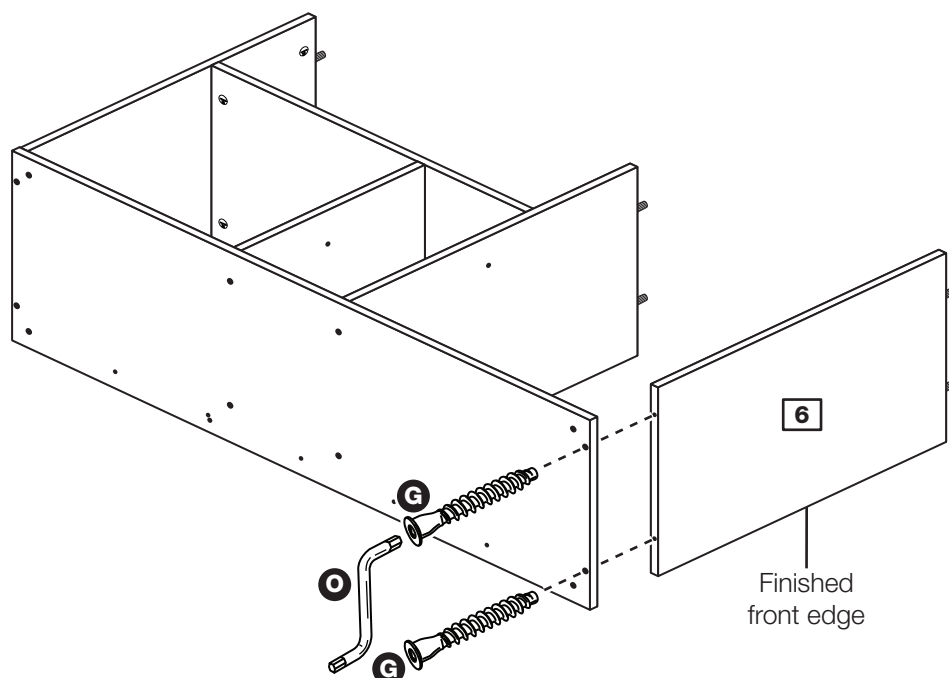
Fit 2 hinge plates **M** onto the right side **6**, making sure that the slot is facing towards the finished front edge.



Step 16

Fit the left side

Attach the left side **6** to the base **12** using 2 screws **G** and tighten them using the allen key **O**.

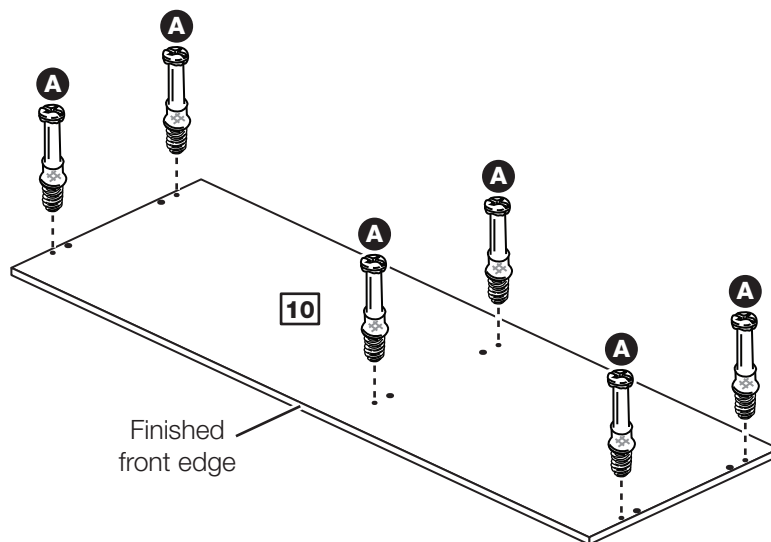


Assembly Instructions

Step 17

Prepare the top

Screw 6 metal dowels **A** into the top **10**.

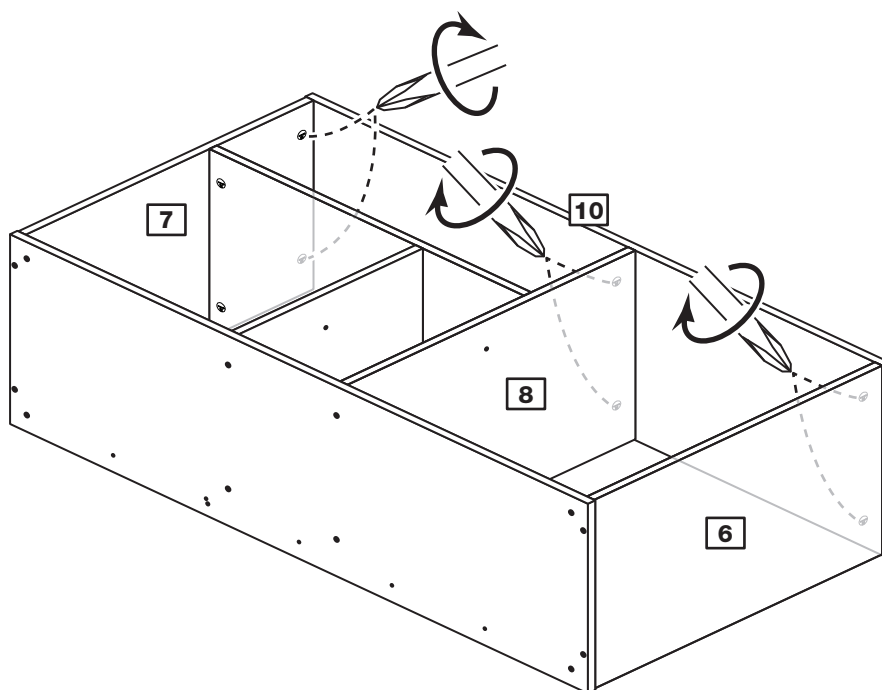


Step 18

Fit the top

Push the top **10** onto the assembly.

Use a screwdriver to tighten the 6 large locking nuts **C** fitted the left side **6**, the right side **7** and the divider **8**.



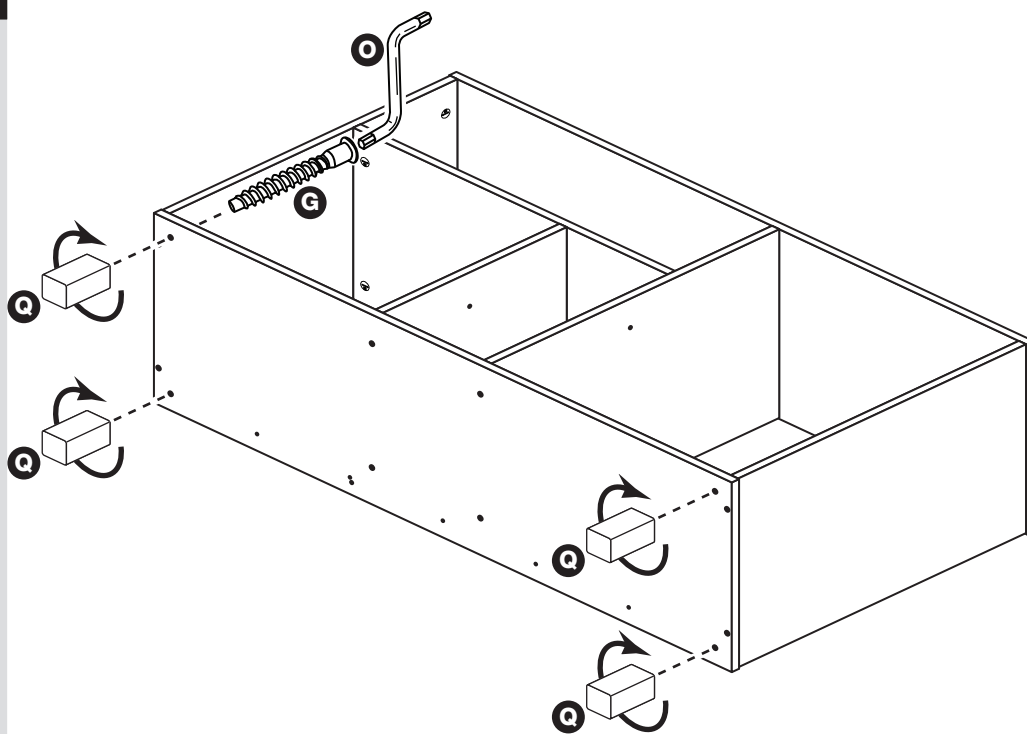
Assembly Instructions

Step 19

Fit the feet

Fit the 4 feet **Q** to the base **12** using screws **G** and tighten them using the allen key **O**.

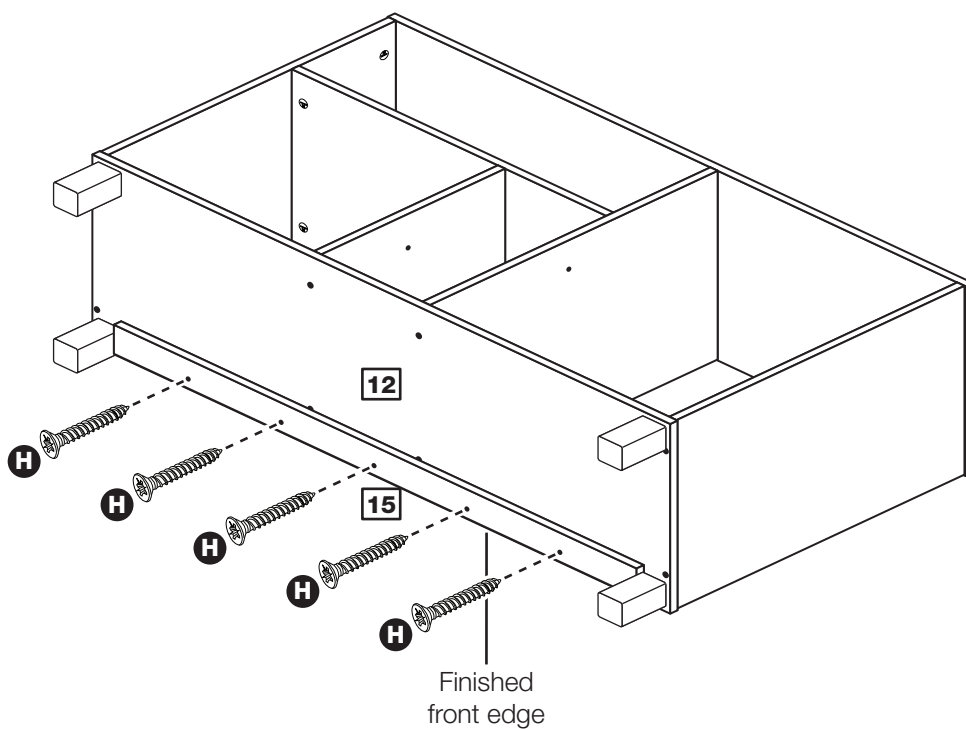
Note: You may find it easier to turn the foot as the screw is held with the allen key.



Step 20

Fit the rail

Attach the rail **15** to the base **12** using 5 screws **H**.



Assembly Instructions

Step 21

Fit the back

a: Square up the unit by making sure that measurement **x** to **x** equals **y** to **y**.

b: Place the back **18** onto the unit.

Nail **E** around the outside edges of the back **18**.

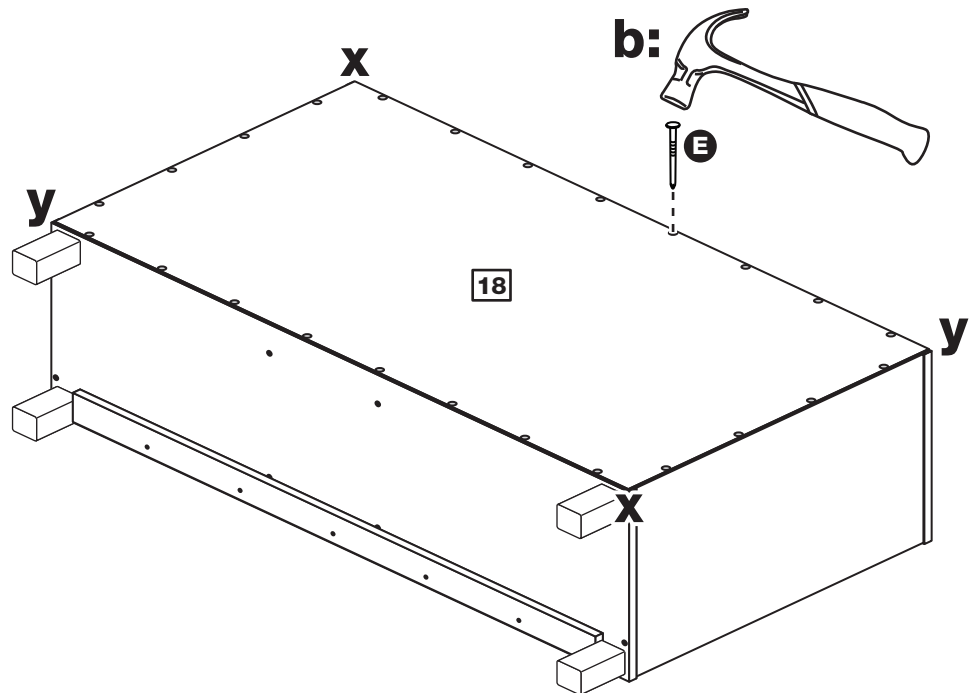
Note: Nails should be spaced about 150mm apart.

Stand the unit up for the next step.



Warning: The unit is heavy. Lift with care.

a: The measurement from top corner X to bottom corner X must be equal to the measurement from top corner Y to bottom corner Y



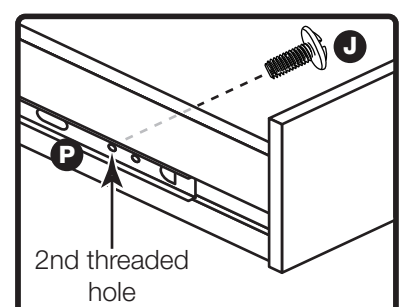
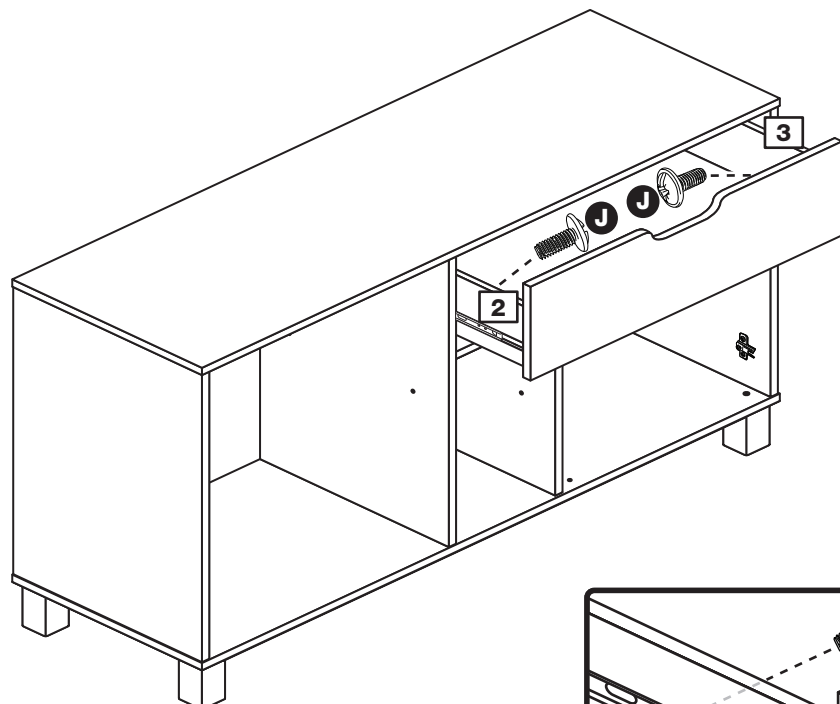
Step 22

Fit the drawer

Slide both the runners **P** forward and locate the drawer sides **2** and **3** between them, lining up the holes in the drawer wrap with the 2nd 'threaded' holes in the runners **P**.

Working from the inside of the drawer, insert 2 screws **J** through the drawer sides and out into the 2nd threaded hole in the runner.

Note: Do not overtighten the screws **J**. If they catch on the runner you may need to loosen them slightly.



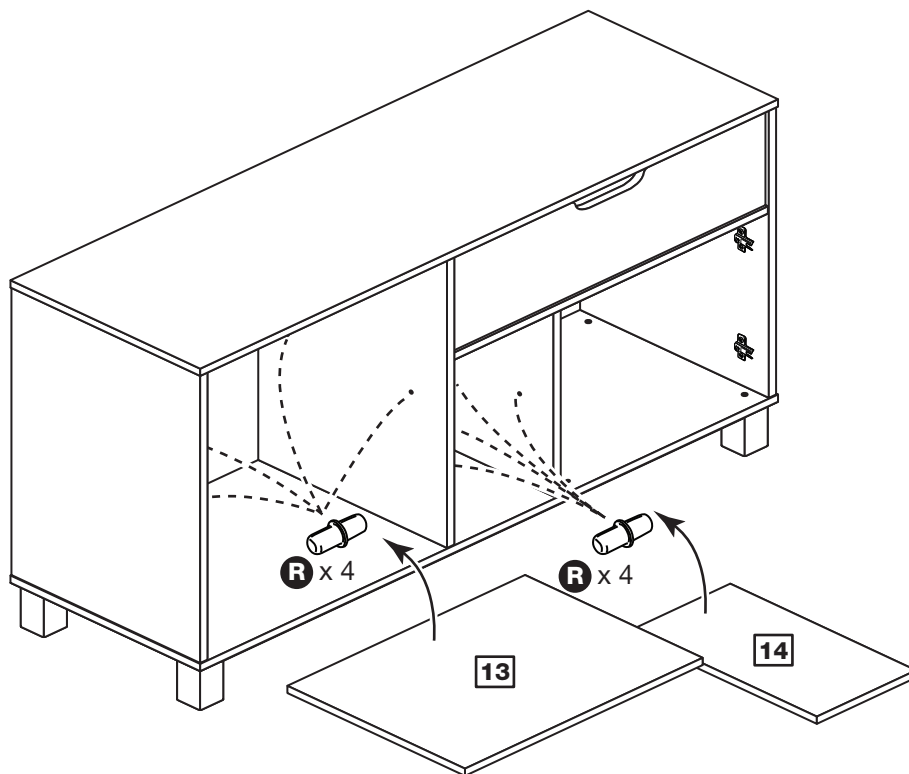
Assembly Instructions

Step 23

Fit the shelves

For each of the 2 shelves **13** and **14** insert 4 shelf studs **R**, as shown.

Lower the large shelf **13** and small shelf **14** down onto the shelf studs **R**.



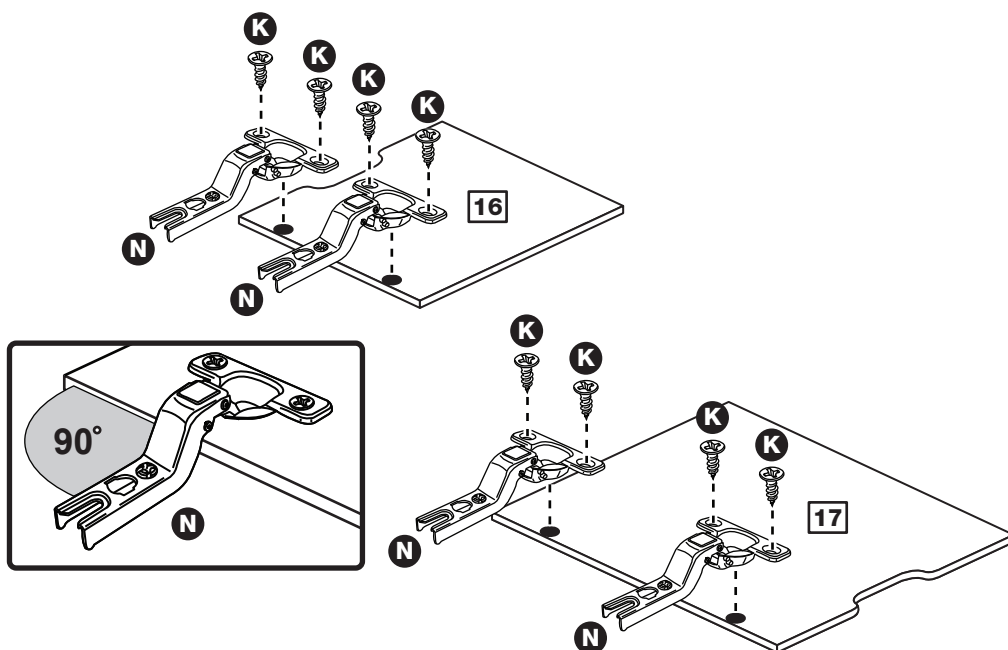
Step 24

Prepare the 2 doors

Push fit 2 hinges **N** into the small door **16** and the large door **17**.

Secure each hinge with 2 screws **K**.

Note: Before securing with the screws, make sure that the hinges are positioned at 90 degrees with the edge of the door.



Assembly Instructions

Step 25

Fit the doors

Note: The easiest way to attach each door **16** and **17** is to fit the top hinge first, then align and fit the other hinge.

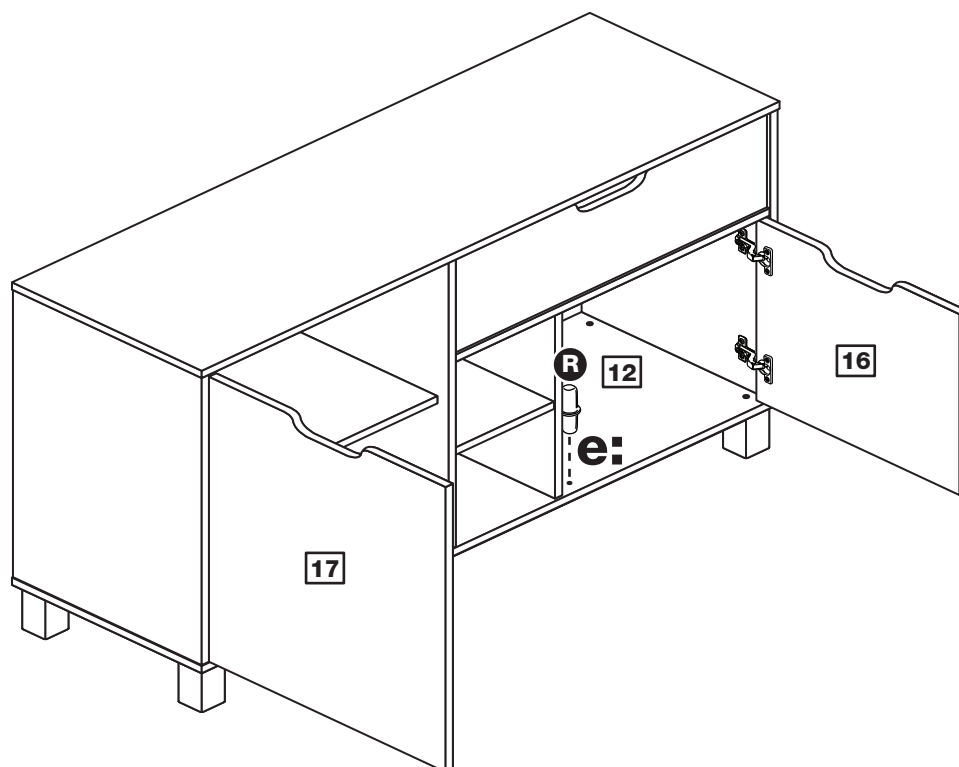
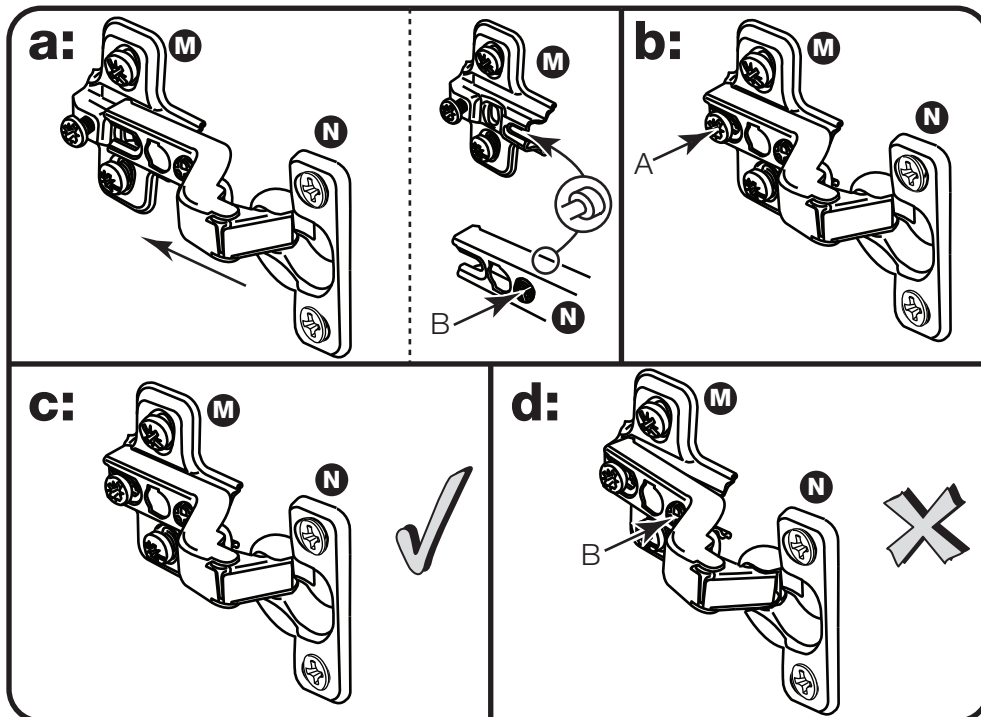
a: Push the hinge **N** onto the front part of the hinge plate **M**. The recess at the bottom of screw B goes into the slot in the hinge plate.

b: Keep the hinge **N** FLAT against the hinge plate **M** as you slide it across as far as it will go. Tighten screw A.

c: The hinge **N** must be flat against the hinge plate **M** prior to any adjustment.

d: The hinge **N** must NOT be AT AN ANGLE to the hinge plate **M** when assembled. This would indicate that the recess at the bottom of screw B had not located in the slot in the hinge plate and the hinge would not be secure. Remove the hinge from the hinge plate and then re-assemble being careful to follow instructions a-c.

e: Push the remaining shelf stud **R** down into the hole in the base **12** to act as a door stop.



Assembly Instructions

Step 23

Adjust the doors if needed

a: Before adjusting the doors, use a spirit level to check the top (or base) of the unit is level, front-to-back and side-to-side in the 3 positions shown.

Use suitable packing pieces (not supplied) to make the unit level BEFORE making any adjustment to the hinges, as shown.

b: Height adjustment.

Loosen screws A on hinge plates and move door up or down as required.

Retighten screw A.

c: Forward and Back adjustment.

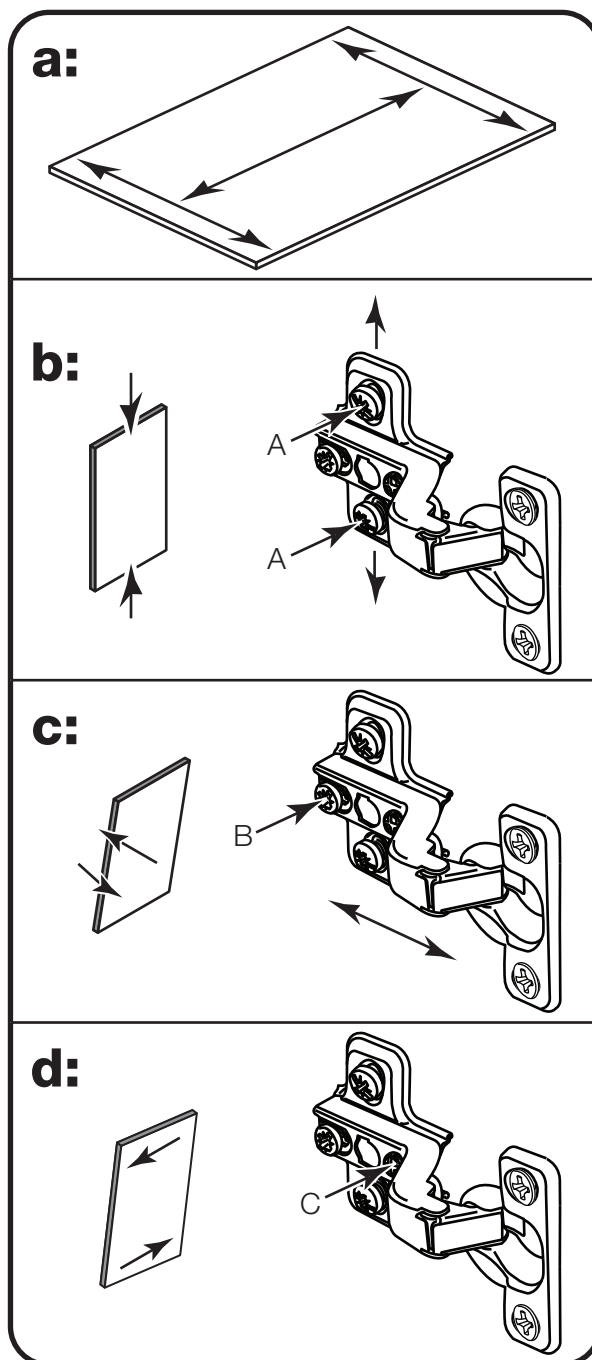
Loosen screw B on hinge plate and move door in or out as required.

Retighten screw B.

d: Sideways adjustment.

To move door 'out' loosen screw C.

To move door 'in' tighten screw C.



Assembly Instructions

Step 24

Fit the overbalance protector

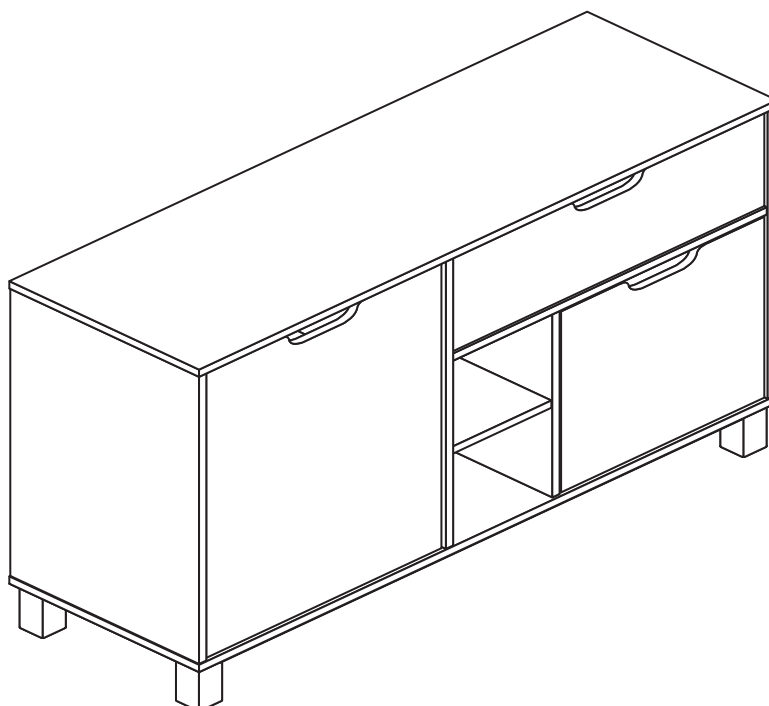
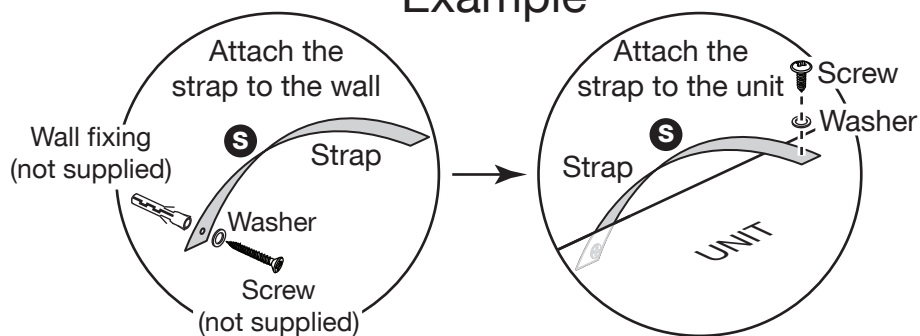
To prevent possible overbalancing we recommend that this unit is secured to a suitable wall by use of the overbalance protector kit **S** fitted to the unit or, an alternative fixing method of your choice.

Wall fixings are not supplied as they will need to suit the wall type.

Note: Take care when drilling the wall that you do not drill into any pipes, wires etc. If in doubt, consult an expert.

Assembly is complete

Example



If you need help or have damaged or missing parts, call the Customer Helpline: 08456 400800 and quote the reference numbers on the component pages.

Argos Ltd, 489-499 Avebury Boulevard, Central Milton Keynes, MK9 2NW

