

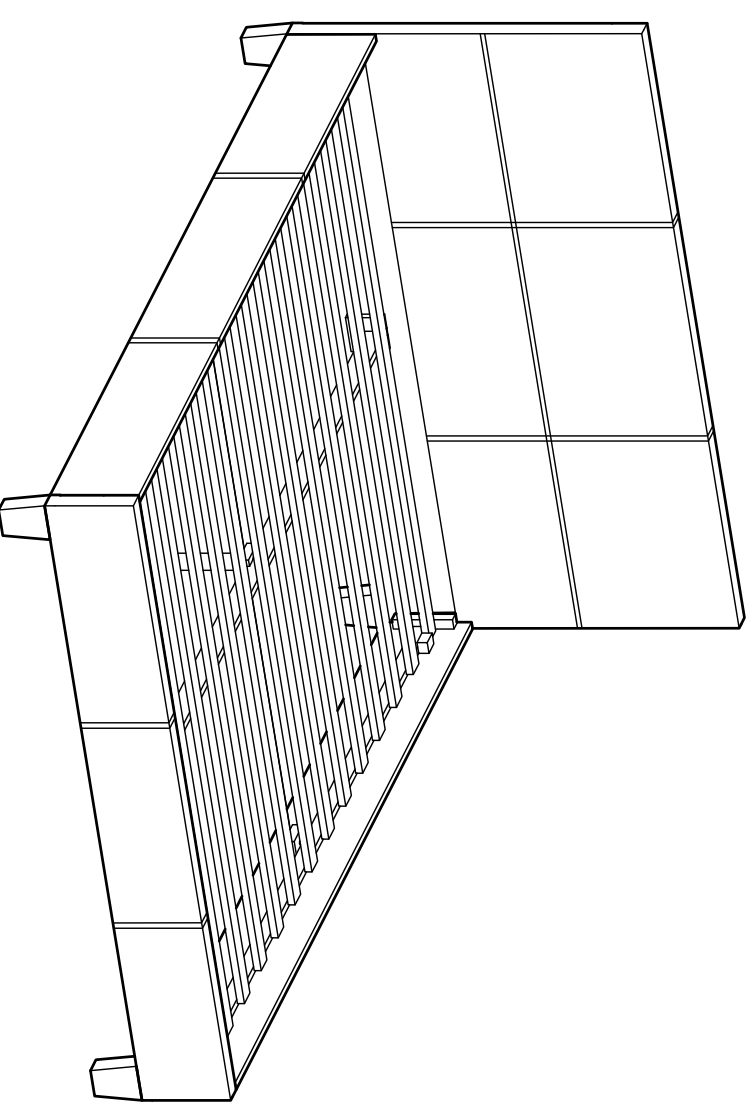
Constance 5FT

Assembly Instructions - Please keep for future reference

Cat.no 355 / 9723

Cat.no 358 / 8220

Cat.no 343 / 2118



Dimension

Width - 155cm

Length - 213cm

Height - 87cm

Important - Please read these instructions fully before starting assembly

If you need help or have damaged or missing parts, call the **Customer Helpline: Argos = 0345 640 3030**



Safety and Care Advice

Important - Please read these instructions fully before starting assembly

- Check you have all the components and tools listed on pages 2 and 3.
- Remove all fittings from the plastic bags and separate them into their groups.
- Keep children and animals away from the work area, small parts could choke if swallowed.
- Make sure you have enough space to layout the parts before starting.
- Do not stand or put weight on the product, this could cause damage.
- Assemble the item as close to its final position (in the same room) as possible.
- Assemble on a soft level surface to avoid damaging the unit or your floor.
- Parts of the assembly will be easier with 2 people.
- We do not recommend the use of power drill/drivers for **inserting bolts** as this could damage the unit. Only use hand screwdrivers.
- Dispose of all packaging carefully and responsibly.
- Do not tighten all bolts until bed is fully assembled.



We do not recommend the use of power drill/drivers for **inserting bolts** as this could damage the unit. Only use hand screwdrivers.

Care and maintenance

- Only clean using a damp cloth and mild detergent, do not use bleach or abrasive cleaners.
- From time to time check that there are no loose bolts on this unit.
- This product should not be discarded with household waste. Take to your local authority waste disposal centre.

Handy Hints

- Assemble all parts and bolts loosely during assembly, only once the product is complete should you fully tighten the bolts.
- Regularly check and ensure that all bolts and fittings are tighten properly.

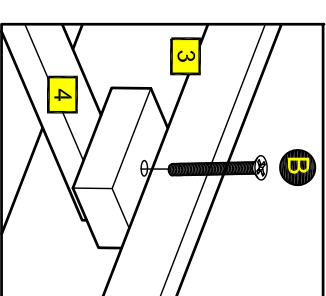
Assembly Instructions

Step 5

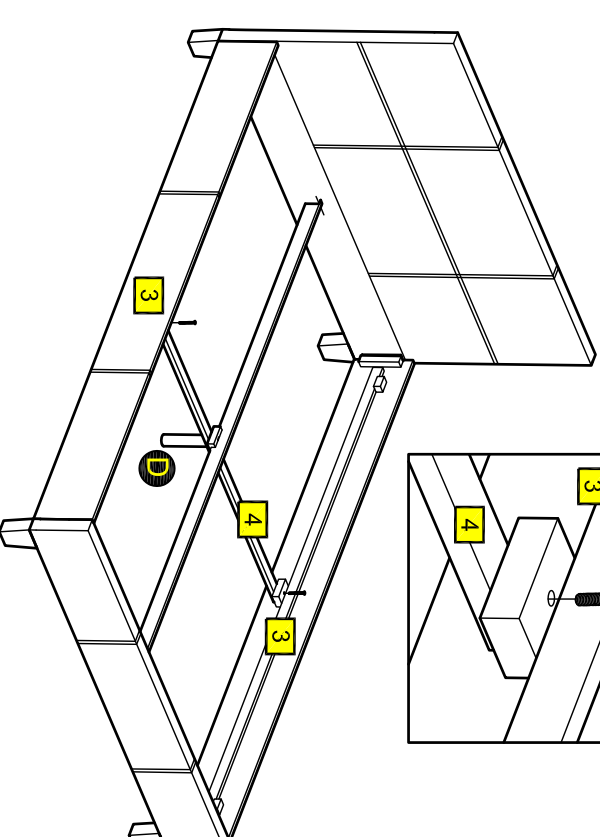
Attaching support bar 2

Insert Bolt **D** through central hole on Side rail **3** and through end holes.

Make the same for the other side.



Now secure tightly in a clockwise direction the Support Leg **D**.



Step 6

Attaching slats

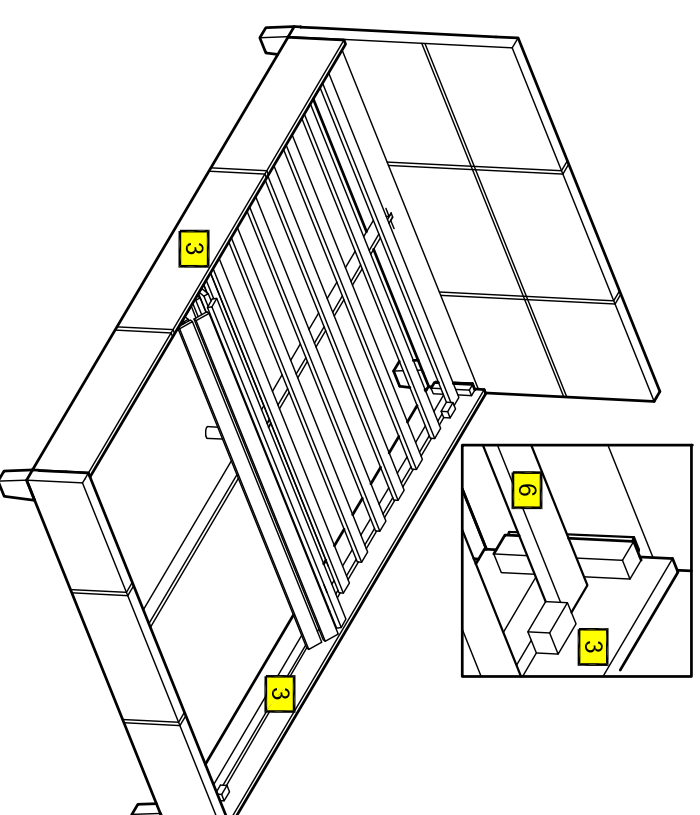
For this stage requires two people.

Roll the Slats over the Side **3** and connect slats over the wood elements that are attached on both sides of the Side rails **3**.

Slats to be rolled out with staples on the underside.

Repeat operation for all 4 corners.

Assembly is now complete.



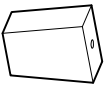
Note: if required the next page can be cut out and used as reference throughout the assembly. Keep this page with these instructions for future reference.

If you need help or have damaged or missing parts, call the **Customer Helpline: Argos = 0345 640 3030**

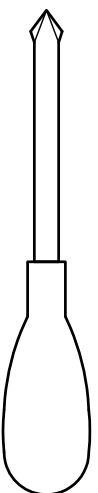
Components - Fittings

Please check you have all the fittings listed below

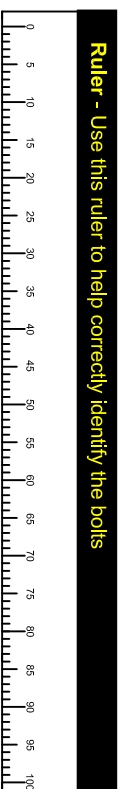
Note: the quantities below are the correct amount to complete the assembly. In some cases more fittings may be supplied than are required.

A M8x70 mm Bolt x 4	B M6x45 mm Bolt x 2	C Leg x 4	
D Support leg x 1			

Tools required



Screwdriver (Not supplied)



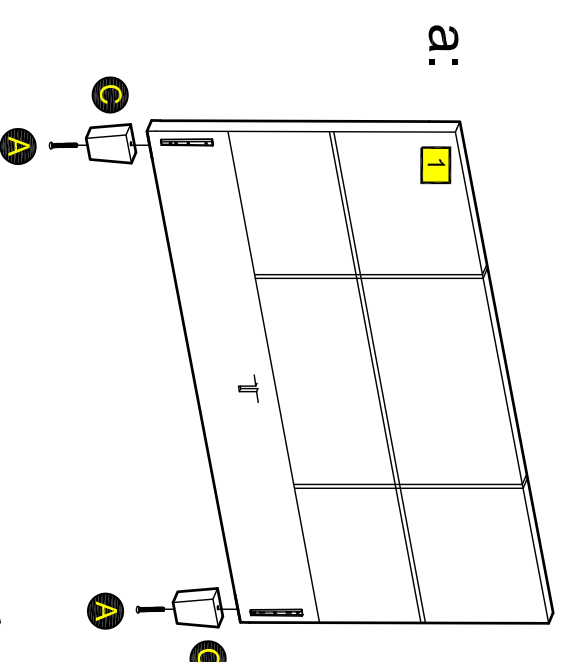
Ruler - Use this ruler to help correctly identify the bolts

Assembly Instructions

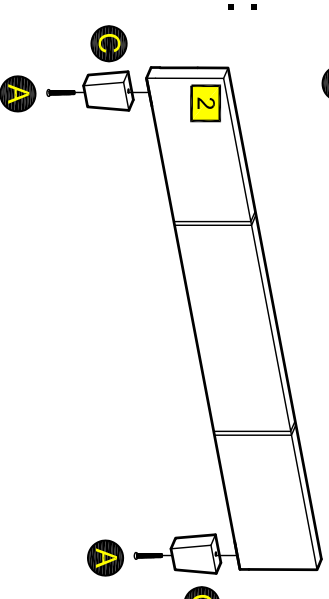
Step 1

Attaching legs

a: Insert Legs **C** into Headboard **1** using Bolt **A**.



b:



b: Insert Legs **C** into Footboard **2** using Bolt **A**.

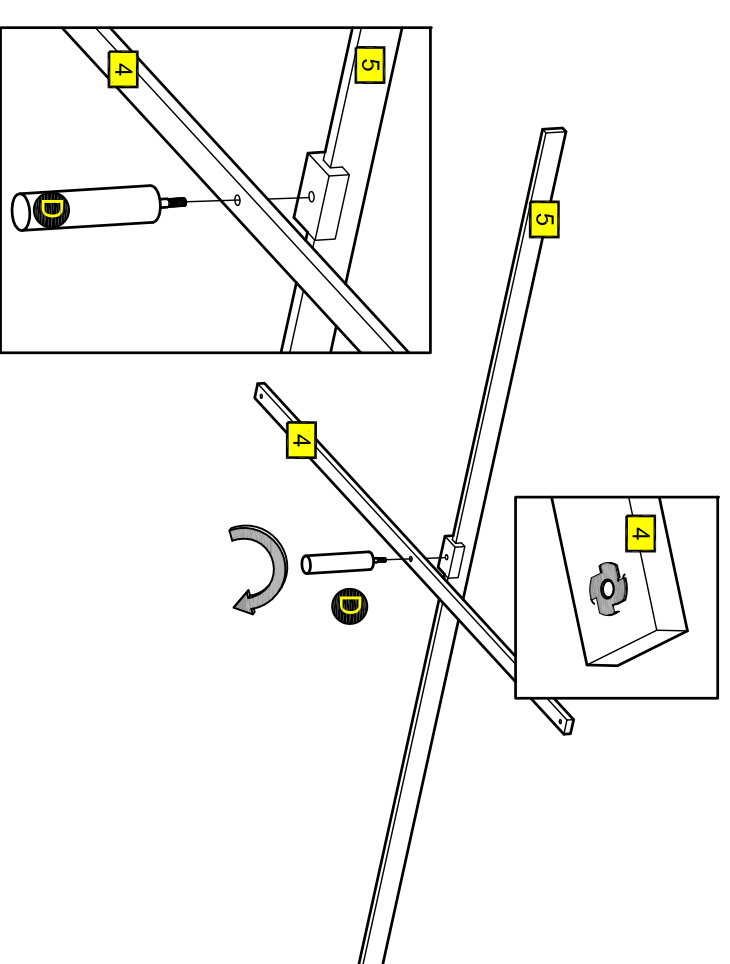
Step 2

Attaching support leg

Insert Support leg **D** in middle of Central support bar **4** and **5**, and secure tightly in a clockwise direction.

Central support bar **4** attaches with metal nut down.

It's important that the Support leg **D** is hard tight only.



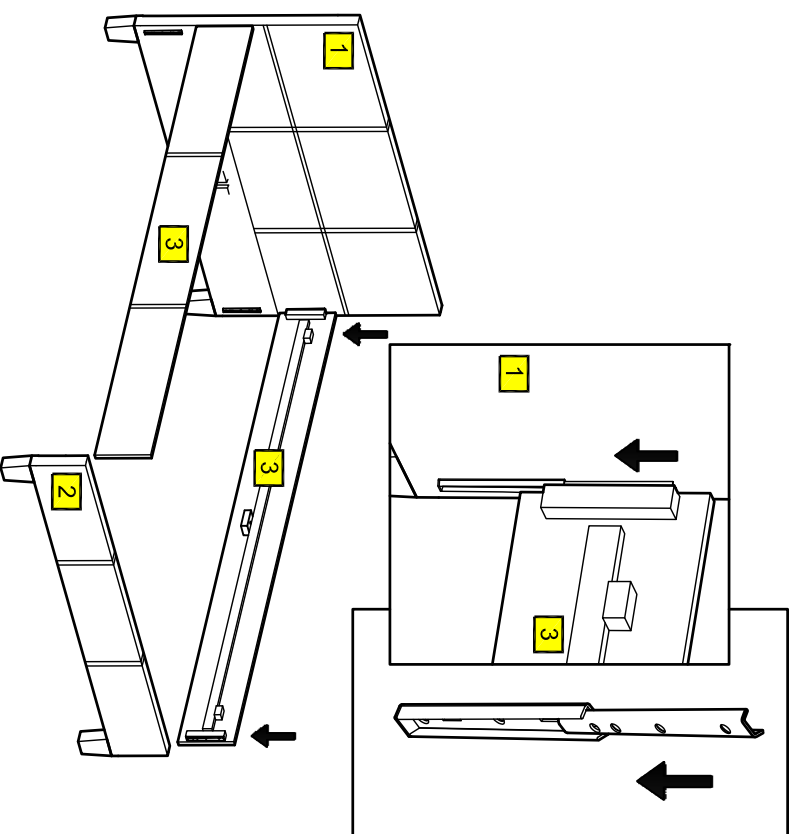
If you need help or have damaged or missing parts, call the **Customer Helpline: Argos = 0345 640 3030**

Step 3

Attaching side rails

Connect Side rails **3** with Headboard **1** and Footboard **2**, as seen in the image.

2 person assembly required.

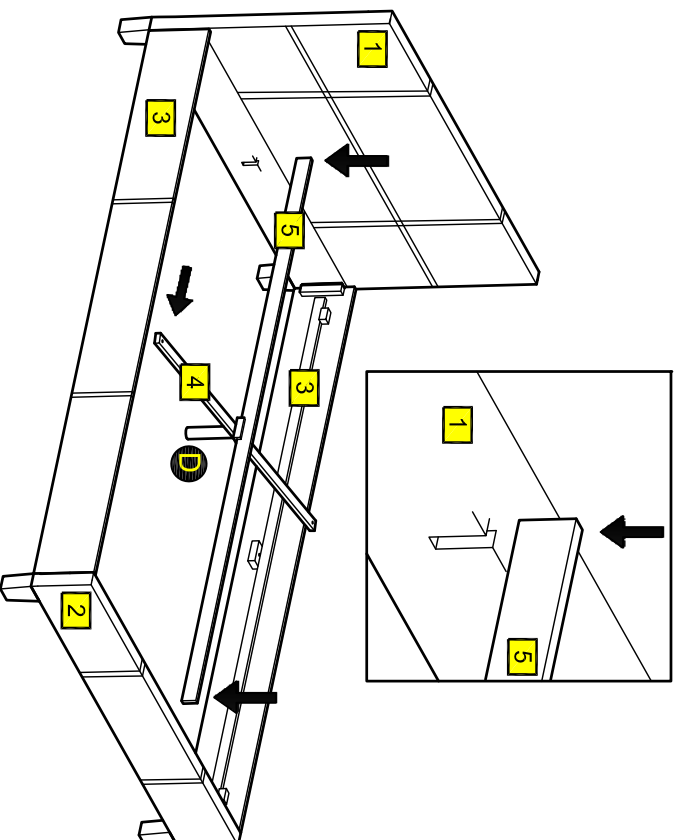


Step 4

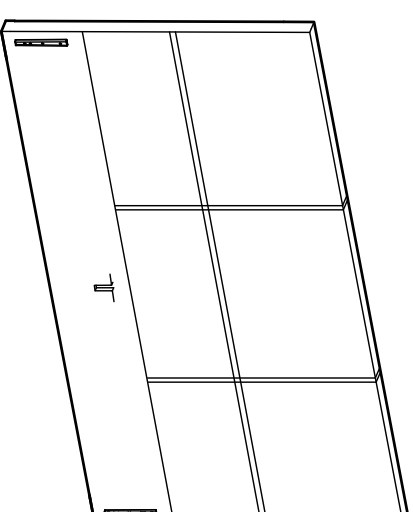
Attaching support bar

Enter the ensemble format from Central support bar **4**, **5** and Support leg **D**.

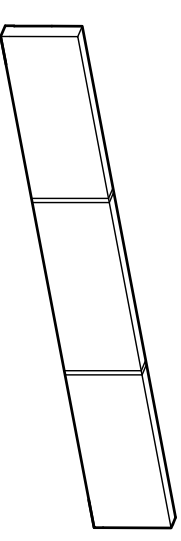
Rotate and match the Central support bar **4** under central wood element from the Side rail **3**.



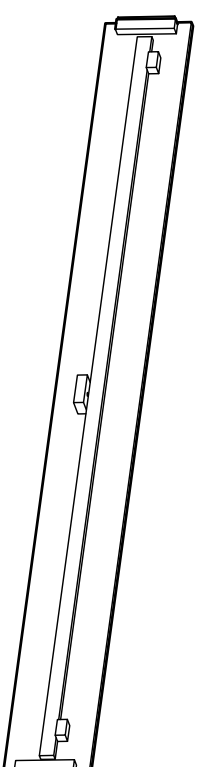
Please check you have all the parts listed below



1 Headboard (155x76cm)



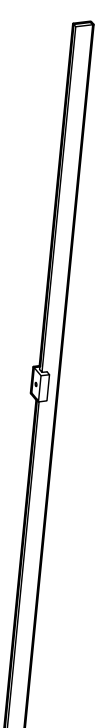
2 Footboard (155x20cm)



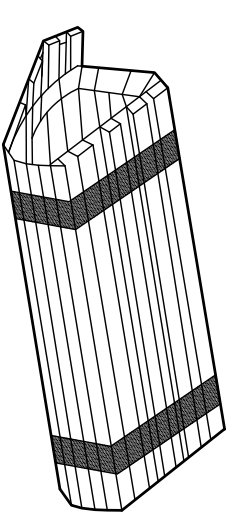
3 Side rail x 2 (203x20cm)



4 Central support bar (151x3.2cm)



5 Central support bar (202.4x4.5cm)



6 Slats (150.5x4.3cm)

If you need help or have damaged or missing parts, call the **Customer Helpline: Argos = 0345 640 3030**

